

ICS-G7526/G7528 Series

24G+2 10GbE/24G+4 10GbE-port full Gigabit managed Ethernet switches



- > 24 Gigabit Ethernet ports plus up to 4 10G Ethernet ports
- > Up to 28 optical fiber connections (SFP slots)
- > Fanless, 0 to 60°C operating temperature range
- > Turbo Ring and Turbo Chain (recovery time < 50 ms @ 250 switches), RSTP/STP, and MSTP for network redundancy
- > Isolated redundant power inputs with universal 110/220 VAC power supply range



Introduction

Process automation and transportation automation applications combine data, voice, and video, and consequently require high performance and high reliability. The ICS-G7526/G7528 series full Gigabit backbone switches are equipped with 24 Gigabit Ethernet ports plus up to 4 10 Gigabit Ethernet ports, making them ideal for large scale industrial networks. The ICS-G7526/G7528's full Gigabit

capability increases bandwidth to provide high performance and the ability to quickly transfer large amounts of video, voice, and data across a network. The switches support the Turbo Ring, Turbo Chain, and RSTP/STP redundancy protocols, and are fanless and come with an isolated redundant power supply to increase system reliability and the availability of your network backbone.

Features and Benefits

- Command line interface (CLI) for quickly configuring major managed functions
- Supports advanced VLAN capability with Q-in-Q tagging
- Software based IEEE 1588 PTP V2 (Precision Time Protocol) for precise time synchronization of networks
- DHCP Option 82 for IP address assignment with different policies
- Support EtherNet/IP and Modbus/TCP protocols for device management and monitoring
- Compatible with EtherNet/IP and PROFINET protocols for transparent data transmission
- Redundant Gigabit Turbo Ring and Turbo Chain (recovery time < 50 ms @ 250 switches), RSTP/STP, and MSTP for network redundancy
- IGMP snooping and GMRP for filtering multicast traffic
- IEEE 802.1Q VLAN and GVRP protocol to ease network planning
- QoS (IEEE 802.1p/1Q and TOS/DiffServ) to increase determinism
- Port Trunking for optimum bandwidth utilization
- TACACS+, SNMPv3, IEEE 802.1X, HTTPS, and SSH to enhance network security
- SNMPv1/v2c/v3 for different levels of network management
- RMON for efficient network monitoring and proactive capability
- Bandwidth management prevents unpredictable network status
- Lock port function for blocking unauthorized access based on MAC address
- Port mirroring for online debugging
- Automatic warning by exception through e-mail, relay output
- Digital inputs for integrating sensors and alarms with IP networks
- Redundant, dual AC power inputs

Specifications

Technology

Standards:

IEEE 802.3 for 10BaseT
 IEEE 802.3u for 100BaseT(X) and 100BaseFX
 IEEE 802.3ab for 1000BaseT(X)
 IEEE 802.3z for 1000BaseSX/LX/LHX/ZX
 IEEE 802.3ae for 10 Gigabit Ethernet
 IEEE 802.3x for Flow Control
 IEEE 802.1D-2004 for Spanning Tree Protocol
 IEEE 802.1w for Rapid Spanning Tree Protocol
 IEEE 802.1s for Multiple Spanning Tree Protocol
 IEEE 802.1Q for VLAN Tagging

IEEE 802.1p for Class of Service
 IEEE 802.1X for Authentication
 IEEE 802.3ad for Port Trunk with LACP

Protocols: IGMPv1/v2, GMRP, GVRP, SNMPv1/v2c/v3, DHCP Server/Client, BootP, TFTP, SNTP, SMTP, RARP, RMON, HTTP, HTTPS, Telnet, Syslog, DHCP Option 66/67/82, SSH, LLDP, IEEE 1588 PTP V2, EtherNet/IP, Modbus/TCP, SNMP Inform, NTP Server/Client
MIB: MIB-II, Ethernet-like MIB, P-BRIDGE MIB, Q-BRIDGE MIB, Bridge MIB, RSTP MIB, RMON MIB Groups 1, 2, 3, 9

Flow Control: IEEE 802.3x flow control, back pressure flow control

Switch Properties

Priority Queues: 8
Max. Number of Available VLANs: 256
VLAN ID Range: VID 1 to 4094
IGMP Groups and Multicast Route: 1000
MAC Table Size: 16 K
Packet Buffer Size: 12 Mbit
DRAM Size: 128 MB
Flash Size: 16 MB
Jumbo Frame Size: 9 KB
Switching Fabric Capacity:
 ICS-G7526: 88 Gbps
 ICS-G7528: 128 Gbps
Forwarding Rate:
 ICS-G7526: 65.5 Mpps (packets per second)
 ICS-G7528: 95.2 Mpps

Interface

Gigabit Ethernet: 10/100/1000BaseT(X) or 100/1000BaseSFP slot
10 Gigabit Ethernet: 10GbE SFP+ slot
Console Port: RS-232 (RJ45 connector)
LED Indicators: STAT, PWR1, PWR2, FAULT, MSTR/HEAD, CPLR/TAIL
Alarm Contact: 1 relay output with current carrying capacity of 2 A @ 30 VDC
Digital Inputs: 1 input with the same ground, but electrically isolated from the electronics.

- +13 to +30V for state “1”
- -30 to +3V for state “0”
- Max. input current: 8 mA

Power Requirements
Input Voltage: 110/220 VAC (85 to 264 VAC)
Input Current:
 ICS-G7526: Max. 0.98/0.55 A @ 110/220 VAC
 ICS-G7528: Max. 1.16/0.65 A @ 110/220 VAC
Overload Current Protection: Present
Reverse Polarity Protection: Present

Physical Characteristics

Housing: IP30 protection
Dimensions: 440 x 44 x 386.9 mm (17.32 x 1.73 x 15.23 in)
Weight:
 ICS-G7526: 5.3 kg
 ICS-G7528: 5.5 kg
Installation: 19" rack mounting

Environmental Limits

Operating Temperature: 0 to 60°C (32 to 140°F)
Storage Temperature: -40 to 85°C (-40 to 185°F)
Ambient Relative Humidity: 5 to 95% (non-condensing)

Standards and Certifications

Safety: UL 60950-1, EN 60950-1
EMI: FCC Part 15 Subpart B Class A, EN 55022 Class A
EMS:
 EN 61000-4-2 (ESD) Level 3, EN 61000-4-3 (RS) Level 3,
 EN 61000-4-4 (EFT) Level 3, EN 61000-4-5 (Surge) Level 3,
 EN 61000-4-6 (CS) Level 3, EN 61000-4-8, EN 61000-4-11
Rail Traffic: EN 50121-4
Shock: IEC 60068-2-27
Freefall: IEC 60068-2-32
Vibration: IEC 60068-2-6
Note: Please check Moxa's website for the most up-to-date certification status.

MTBF (mean time between failures)

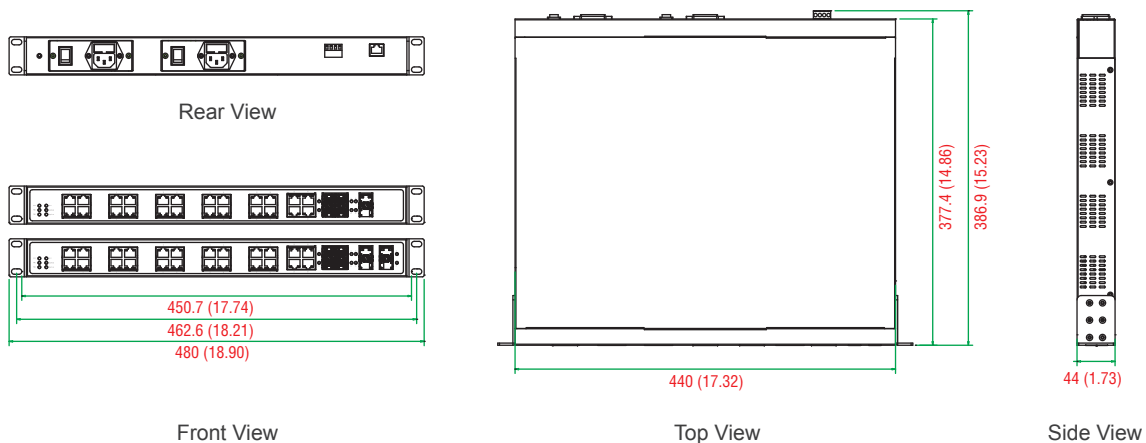
Time: 216,552 hrs
Database: Telcordia (Bellcore), GB

Warranty

Warranty Period: 5 years
Details: See www.moxa.com/warranty

Dimensions

Unit: mm (inch)



Ordering Information

Available Models	Port Interface				Power Supply	
	Gigabit Ethernet			10 Gigabit Ethernet	Isolated Power Supply 1	Isolated Power Supply 2
	10/100/1000BaseT(X)	100/1000BaseSFP*	Combo Port, 10/100/1000BaseT(X) or 100/1000BaseSFP*	10GbE SFP+*	HV: 85 to 264 VAC	HV: 85 to 264 VAC
ICS-G7526-4GTXSFP-2XG-HV-HV	20	–	4	2	1	1
ICS-G7526-8GSFP-4GTXSFP-2XG-HV-HV	12	8	4	2	1	1
ICS-G7526-20GSFP-4GTXSFP-2XG-HV-HV	–	20	4	2	1	1
ICS-G7528-4GTXSFP-4XG-HV-HV	20	–	4	4	1	1
ICS-G7528-8GSFP-4GTXSFP-4XG-HV-HV	12	8	4	4	1	1
ICS-G7528-20GSFP-4GTXSFP-4XG-HV-HV	–	20	4	4	1	1

Note: The ICS-G7526/G7528 series supports 10GbE SFP+ and 100/1000BaseSFP slots. See below for SFP-10G/1G/1FE series SFP module product information.

Optional Accessories (can be purchased separately)

MXview: Moxa industrial network management software with 50, 100, 250, 500, or 1000 nodes

EDS-SNMP OPC Server Pro: OPC server software that works with all SNMP devices

ABC-01: Configuration backup and restoration tool for managed Ethernet switches, 0 to 60°C operating temperature

Power Cords: See website accessories pages for details

Package Checklist

- ICS-G7526 or ICS-G7528 switch
- RJ45 to DB9 console port cable
- 2 power cords (EU and US)
- Protective caps for unused ports
- 2 rackmount ears
- Documentation and software CD
- Hardware installation guide (printed)
- Warranty card

SFP-10G Series

1-port 10 Gigabit Ethernet SFP+ modules



- > Compliant with IEEE 802.3ae
- > SFF-8432 SFP+ MSA compliant
- > Hot pluggable LC duplex connector
- > Class 1 Laser International Safety Standard IEC 825 compliant
- > RoHS compliant



Specifications

Optical Fiber

	10 Gigabit Ethernet		
	SFP-SR	SFP-LR	SFP-ER
Wavelength	850 nm	1310 nm	1550 nm
Max. TX	-1 dBm	0.5 dBm	4 dBm
Min. TX	-5 dBm	-8.2 dBm	-4.7 dBm
RX Sensitivity	-10 dBm	-14.4 dBm	-15.8 dBm
Link Budget	5 dB	6.2 dB	11.1 dB
Typical Distance	33 m ^a 300 m ^b	10 km ^c	40 km ^c
Saturation	-1 dBm	-0.5 dBm	-1 dBm

a. 62.5/125 μm, 200 MHz*km (OM1) multi-mode fiber optic cable
 b. 50/125 μm, 2000 MHz*km (OM3) multi-mode fiber optic cable
 c. 9/125 μm single-mode fiber optic cable

Interface

Connectors: Duplex LC Connector

10G Ethernet Ports: 1

Environmental Limits

Operating Temperature: 0 to 60°C (32 to 176°F)

Note: When the SFP-10GERLC is used with ICS-G7750A/G7752A/G7850A/G7852A series, operating temperature is 0 to 55°C (32 to 131°F).

Storage Temperature: -40 to 85°C (-40 to 185°F)

Ambient Relative Humidity: 5 to 95% (non-condensing)

Standards and Certifications

Safety: UL 60950-1, TÜV

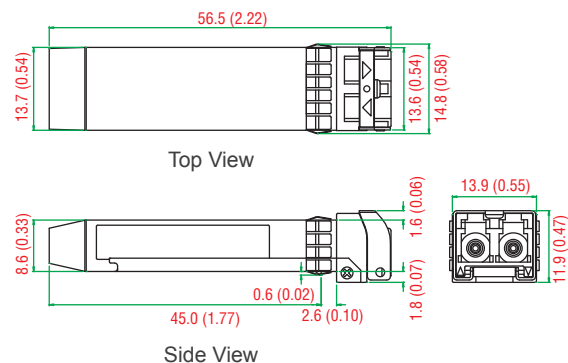
Warranty

Warranty Period: 5 years

Details: See www.moxa.com/warranty

Dimensions

Unit: mm (inch)



Ordering Information

Available Models

SFP-10GSRLC: SFP+ module with 1 10GBase-SR port for 33 m transmission, LC connector, 0 to 60°C operating temperature

SFP-10GLRLC: SFP+ module with 1 10GBase-LR port for 10 km transmission, LC connector, 0 to 60°C operating temperature

SFP-10GERLC: SFP+ module with 1 10GBase-ER port for 40 km transmission, LC connector, 0 to 60°C operating temperature

Note: SFP-10GERLC will be available in Q3, 2014.

The SFP 10G series modules can be used with the following products

SFP-10GSRLC/SFP-10GLRLC:

ICS-G7850A/G7852A series, ICS-G7850/G7852 series, ICS-G7750A/G7752A series, ICS-G7750/G7752 series, ICS-G7826A/G7828A series, ICS-G7826/G7828 series, ICS-G7526A/G7528A series, ICS-G7526/G7528 series

SFP-10GERLC:

ICS-G7850A/G7852A series, ICS-G7750A/G7752A series, ICS-G7826A/G7828A series, ICS-G7526A/G7528A series

Package Checklist

- SFP-10G module
- Warranty card

SFP-1G Series

1-port Gigabit Ethernet SFP modules



- > IEEE 802.3z compliant
- > Differential LVPECL inputs and outputs
- > TTL signal detect indicator
- > Hot pluggable LC duplex connector
- > Class 1 laser product, complies with EN 60825-1



Specifications

Optical Fiber

	Gigabit Ethernet													
	SFP-SX	SFP-LSX	SFP-LX	SFP-LH	SFP-LHX	SFP-ZX	SFP-EZX	SFP-EZX-120	SFP-10A	SFP-10B	SFP-20A	SFP-20B	SFP-40A	SFP-40B
Wavelength	850 nm	1310 nm	1310 nm	1310 nm	1310 nm	1550 nm	1550 nm	1550 nm	TX 1310 nm, RX 1550 nm	TX 1550 nm, RX 1310 nm	TX 1310 nm, RX 1550 nm	TX 1550 nm, RX 1310 nm	TX 1310 nm, RX 1550 nm	TX 1550 nm, RX 1310 nm
Max. TX	-4 dBm	-1 dBm	-3 dBm	-2 dBm	1 dBm	5 dBm	5 dBm	3 dBm	-3 dBm	-2 dBm	-2 dBm	-2 dBm	2 dBm	2 dBm
Min. TX	-9.5 dBm	-9 dBm	-9.5 dBm	-8 dBm	-4 dBm	0 dBm	0 dBm	-2 dBm	-9 dBm	-8 dBm	-8 dBm	-8 dBm	-3 dBm	-3 dBm
RX Sensitivity	-18 dBm	-19 dBm	-20 dBm	-23 dBm	-24 dBm	-24 dBm	-30 dBm	-33 dBm	-21 dBm	-21 dBm	-23 dBm	-23 dBm	-23 dBm	-23 dBm
Link Budget	8.5 dB	10 dB	10.5 dB	15 dB	20 dB	24 dB	30 dB	31 dB	12 dB	12 dB	15 dB	15 dB	20 dB	20 dB
Typical Distance	550 m ^a	2 km ^b	10 km ^c	30 km ^c	40 km ^c	80 km ^c	110 km ^c	120 km ^c	10 km ^c	10 km ^c	20 km ^c	20 km ^c	40 km ^c	40 km ^c
Saturation	0 dBm	-3 dBm	-3 dBm	-3 dBm	-3 dBm	-3 dBm	-3 dBm	-8 dBm	-1 dBm	-1 dBm	-1 dBm	-1 dBm	-1 dBm	-1 dBm

a. 50/125 μm, 400 MHz-km or 62.5/125 μm, 500 MHz-km @ 850 nm multi-mode fiber optic cable
 b. 62.5/125 μm, 750 MHz-km @ 1310 nm multi-mode fiber optic cable
 c. 9/125 μm single-mode fiber optic cable

Note: The actual communication distance depends on many factors, including connector loss, cable deployment, and the age of the cabling system. We recommend doing a link budget analysis and reserving a 3 dB margin for such factors.

Interface

Ethernet Ports: 1

Connectors: Duplex LC Connector or Simplex LC Connector (WDM-type only)

Note: WDM-type SFP modules must be used in pairs (e.g., SFP-1G10ALC and SFP-1G10BLC)

Note: When connecting long distance SFP (SFP-ZX, EZX or EZX-120), please ensure at least 5 dB attenuation between both ends. Without attenuation, excessive optical power may damage the transceivers.

Environmental Limits

Operating Temperature:

Standard Models: 0 to 60°C (32 to 140°F)

Wide Temp. Models: -40 to 85°C (-40 to 185°F)

Storage Temperature: -40 to 85°C (-40 to 185°F)

Ambient Relative Humidity: 5 to 95% (non-condensing)

Standards and Certifications

Safety: UL 60950-1, TÜV

Marine: DNV, GL, LR, NK

Warranty

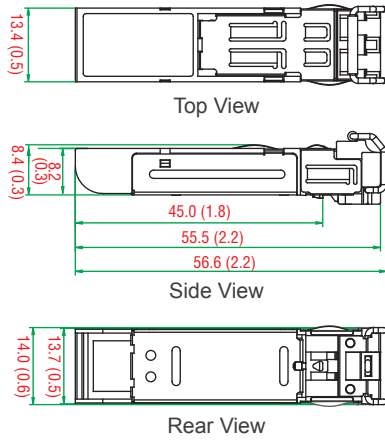
Warranty Period: 5 years

Details: See www.moxa.com/warranty

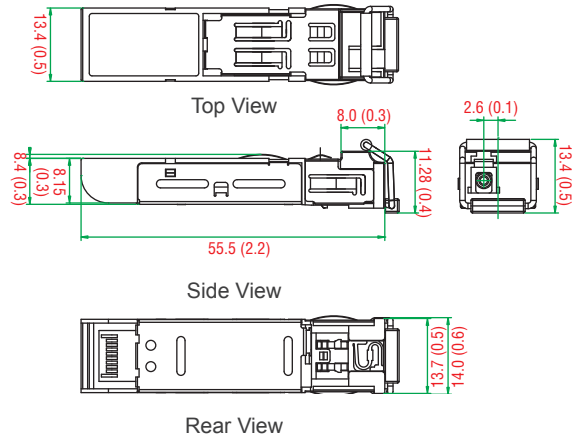
Dimensions

Unit: mm (inch)

SFP-1G Series



SFP-1G Series (WDM Type)



: Ordering Information

SFP Modules

Available Models		Port Interface							
Standard Temperature (0 to 60°C)	Wide Temperature (-40 to 85°C)	1000BaseSX, LC Connector, 0.5 km	1000BaseLSX, LC Connector, 2 km	1000BaseLX, LC Connector, 10 km	1000BaseLH, LC Connector, 30 km	1000BaseLHX, LC Connector, 40 km	1000BaseZX, LC Connector, 80 km	1000BaseEZXC, LC Connector, 110 km	1000BaseEZXC, LC Connector, 120 km
SFP-1GSXLC	SFP-1GSXLC-T*	1	-	-	-	-	-	-	-
SFP-1GLSXLC	SFP-1GLSXLC-T	-	1	-	-	-	-	-	-
SFP-1GLXLC	SFP-1GLXLC-T	-	-	1	-	-	-	-	-
SFP-1GLHLC	SFP-1GLHLC-T	-	-	-	1	-	-	-	-
SFP-1GLHLC	SFP-1GLHLC-T	-	-	-	-	1	-	-	-
SFP-1GZXLC	SFP-1GZXLC-T	-	-	-	-	-	1	-	-
SFP-1GEZXC	-	-	-	-	-	-	-	1	-
SFP-1GEZXC-120	-	-	-	-	-	-	-	-	1

*SFP-1GSXLC-T: -20 to 75°C operating temperature

WDM-type (BiDi) SFP Modules

Available Models		Port Interface					
Standard Temperature (0 to 60°C)	Wide Temperature (-40 to 85°C)	1000BaseSFP, LC Connector, 10 km		1000BaseSFP, LC Connector, 20 km		1000BaseSFP, LC Connector, 40 km	
		TX 1310 nm, RX 1550 nm	TX 1550 nm, RX 1310 nm	TX 1310 nm, RX 1550 nm	TX 1550 nm, RX 1310 nm	TX 1310 nm, RX 1550 nm	TX 1550 nm, RX 1310 nm
SFP-1G10ALC	SFP-1G10ALC-T	1	-	-	-	-	-
SFP-1G10BLC	SFP-1G10BLC-T	-	1	-	-	-	-
SFP-1G20ALC	SFP-1G20ALC-T	-	-	1	-	-	-
SFP-1G20BLC	SFP-1G20BLC-T	-	-	-	1	-	-
SFP-1G40ALC	SFP-1G40ALC-T	-	-	-	-	1	-
SFP-1G40BLC	SFP-1G40BLC-T	-	-	-	-	-	1

Available Models

The SFP-1G series modules can be used with the following products:

ICS-G7850A/G7852A series, ICS-G7850/G7852 series, ICS-G7750A/G7752A series, ICS-G7750/G7752 series, IM-G7000A-4GSFP, IM-G7000-4GSFP, ICS-G7826A/G7828A series, ICS-G7826/G7828 series, ICS-G7526A/G7528A series, ICS-G7526/G7528 series, IKS-G6524A/G6824A series, IKS-G6524/G6824 series, IKS-6726A/6728A series, IKS-6726/6728 series, IM-2GSFP, EDS-611/619 series, EDS-G516E series, EDS-G512E series, EDS-G509 series, EDS-518A series, EDS-510A series, EDS-510E series, EDS-G308 series, EDS-210A series, IKS-6728A-8PoE series, IKS-6728-8PoE series, EDS-P510A-8PoE series, EDS-P510 series, EDS-G205A-4PoE series, PM-7200-2G/4G series, PM-7500-2G/4G series, PT-G7509 series, IMC-101G series, EDR-G903/G902 series, EDR-810 series, PT-7528 series

Package Checklist

- SFP-1G module
- Warranty card

SFP-1G Copper Series

1-port Gigabit Ethernet copper SFP modules



- > Compliant with IEEE 802.3,2002
- > Fixed 1000 BASE-T speed
- > Hot pluggable RJ45 connector
- > TTL signal detection (RX los)
- > RoHS compliant and lead free



Specifications

Interface

Gigabit Ethernet Ports: 1

Connectors: RJ45

The port can not be used for Turbo Ring v1, Turbo Ring v2, and Turbo Chain.

Power Requirements

Input Voltage: Single 3.3VDC power supply

Power: 10.5 W under typical operation

Environmental Limits

Operating Temperature: -40 to 75°C (-40 to 167°F)

Storage Temperature: -40 to 85°C (-40 to 185°F)

Ambient Relative Humidity: 5 to 95% (non-condensing)

Standards and Certifications

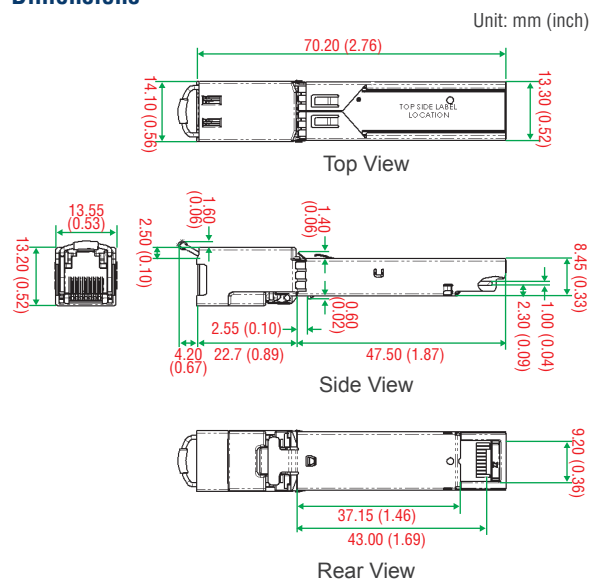
Safety: CE, FCC, UL, TUV 60950-1

Warranty

Warranty Period: 5 years

Details: See www.moxa.com/warranty

Dimensions



Ordering Information

Available Models

SFP-1GTXRJ45-T: SFP module with fixed 1000BaseT port, RJ45 connector, -40 to 75°C operating temperature

The SFP-1G Copper series modules can be used with the following products:

ICS-G7850A/G7852A series, ICS-G7850/G7852 series, ICS-G7750A/G7752A series, ICS-G7750/G7752 series, ICS-G7826A/G7828A series, ICS-G7826/G7828 series, ICS-G7526A/G7528A series, ICS-G7526/G7528 series, IKS-G6524A/ G6824A series, IKS-G6524/G6824 series, EDS-G516E series, EDS-G512E series, EDS-G308 series, EDS-210A series, EDS-G205A-4PoE series, PT-7528 series

Package Checklist

- SFP-1G copper module
- Warranty card

SFP-1FE Series

1-port Fast Ethernet SFP modules



- > IEEE 802.3u compliant
- > Differential PECL inputs and outputs
- > TTL signal detect indicator
- > Hot pluggable LC duplex connector
- > Class 1 laser product; complies with EN 60825-1



Specifications

Optical Fiber

	Fast Ethernet		
	SFP-M	SFP-S	SFP-L
Wavelength	1300 nm	1310 nm	1550 nm
Max. TX	-8 dBm	0 dBm	0 dBm
Min. TX	-18 dBm	-5 dBm	-5 dBm
RX Sensitivity	-34 dBm	-34 dBm	-34 dBm
Link Budget	26 dB	29 dB	29 dB
Typical Distance	4 km ^a	40 km ^b	80 km ^b
Saturation	0 dBm	-3 dBm	-3 dBm

a. 50/125 μm or 62.5/125 μm, 800 MHz * km @ 1300 nm multi-mode fiber optic cable
 b. 9/125 μm single-mode fiber optic cable

Interface

Ethernet Ports: 1
Connectors: Duplex LC Connector

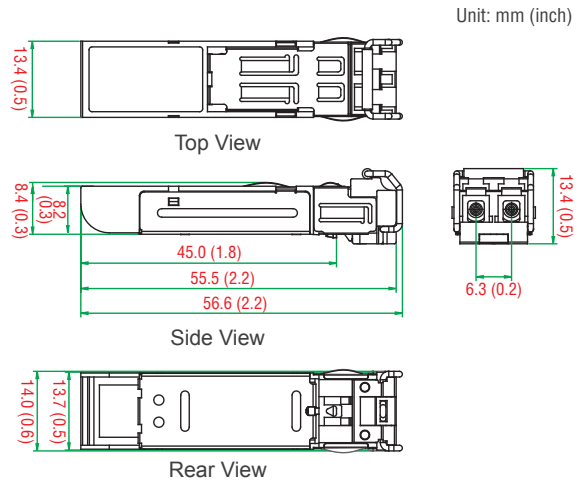
Environmental Limits

Operating Temperature: -40 to 85°C (-40 to 185°F)
Storage Temperature: -40 to 85°C (-40 to 185°F)
Ambient Relative Humidity: 5 to 95% (non-condensing)

Standards and Certifications

Safety: UL 60950-1, TÜV
Marine: DNV, GL, LR, NK
Warranty
Warranty Period: 5 years
Details: See www.moxa.com/warranty

Dimensions



Ordering Information

Available Models	Port Interface			
	Wide Temperature (-40 to 85°C)	100BaseFX, Multi-mode, LC Connector, 4 km	100BaseFX, Single-mode, LC Connector, 40 km	100BaseFX, Single-mode, LC Connector, 80 km
SFP-1FEMLC-T		1	-	-
SFP-1FESLC-T		-	1	-
SFP-1FELLC-T		-	-	1

Available Models

The SFP-1FE series modules can be used with the following products:

IM-G7000A-4GSFP, IM-G7000-4GSFP, ICS-G7826A/ G7828A series, ICS-G7826/G7828 series, ICS-G7526A/G7528A series, ICS-G7526/G7528 series, IKS-G6524A/G6824A series, IKS-G6524/G6824 series, IKS-6726A/6728A series, IKS-6726/6728 series, IM-6700A-8SFP, IM-6700-8SFP, EDS-611/619 series, EDS-G516E series, EDS-G512E series, EDS-G509 series, EDS-510E series, EDS-G308-2SFP, EDS-210A series, IKS-6728A-8PoE series, IKS-6728-8PoE series, EDS-P510A-8PoE series, EDS-P510 series, PM-7200-8SFP, EDR-G903/G902 series, PT-7528 series, PT-G7509 series, PM-7500-2GTXSFP, PM-7500-4GTXSFP

Package Checklist

- SFP-1FE module
- Warranty card