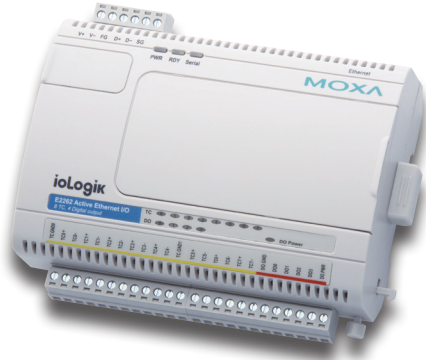


# ioLogik E2262

**Active Ethernet micro controller with 8 thermocouple inputs and 4 digital outputs**



- > Front-end intelligence that supports 24 Click&Go™ rules
- > Active Messaging with real-time stamp, including SMS, SNMP Trap with I/O status, TCP, and email
- > Supports SNMPv1/v2c/v3 protocol
- > I/O peer-to-peer function
- > Built-in web console
- > PC utility: Auto detection of installed modules
- > Windows/WinCE VB/VC.NET and Linux C APIs



## Introduction

Moxa's ioLogik E2262 is a new type of active micro controller that can be used as an RTU (Remote Terminal Unit). Active Ethernet micro controllers are a kind of PC-based data acquisition and control device that use proactive, event-based reporting to control I/O devices. Unlike traditional RTUs, which are passive and must poll for data, Moxa's Active OPC Server makes seamless connection with SCADA systems

a reality. In addition, SNMP is used for communicating with an NMS (Network Management System) for IT field users. The I/O status of an Active Ethernet micro controller can be reported and controlled automatically on-site based on user specified conditions. This report-by-exception approach, which is new to PC-based monitoring, requires far less bandwidth than traditional polling methods.

## Specifications

### LAN

**Ethernet:** 1 x 10/100 Mbps, RJ45  
**Protection:** 1.5 KV magnetic isolation  
**Protocols:** Modbus/TCP, TCP/IP, UDP, DHCP, Bootp, SNMP, HTTP, CGI, SNTp

### Serial Communication

**Interface:** RS-485-2w: Data+, Data-, GND  
**Serial Line Protection:** 15 KV ESD for all signals

### Serial Communication Parameters

**Parity:** None  
**Data Bits:** 8  
**Stop Bits:** 1  
**Flow Control:** None  
**Baudrate:** 1200 to 115200 bps  
**Protocol:** Modbus/RTU

### Thermocouple Input

**Channels:** 8  
**Sensor Type:** J, K, T, E, R, S, B, N type TC and mV mode  
**Conversion Time:** Less than 90 ms  
**Effective Resolution:** 16 bits  
**Accuracy:**  
 ±0.1% FSR @ 25°C  
 ±0.3% FSR @ -10 and 60°C

**Input Impedance:** 1 M ohm or better

### Digital Output

**Channels:** 4, sink type, 36 VDC, 200 mA  
**I/O Mode:** DO or Pulse Output (up to 100 Hz)  
**Pulse Wave Width/Frequency:** 10 ms/100 Hz  
**Over-voltage Protection:** 45 VDC

**Over-current Limit:** 750 mA  
**Over-temperature Shutdown:** 175°C  
**Isolation:** 3K VDC or 2K Vrms  
**Power Requirements**  
**Power Input:** 24 VDC nominal, 12 to 36 VDC  
**Power Consumption:** 282 mA typical @ 24 VDC

### Physical Characteristics

**Wiring:** I/O cable max. 14 AWG  
**Dimensions:** 115 x 79 x 45.6 mm (4.53 x 3.11 x 1.80 in)  
**Weight:** under 250 g

### Environmental Limits

**Operating Temperature:**  
 Standard Models: -10 to 60°C (14 to 140°F)  
 Wide Temp. Models: -40 to 75°C (-40 to 167°F)  
**Storage Temperature:** -40 to 85°C (-40 to 185°F)  
**Ambient Relative Humidity:** 5 to 95% (non-condensing)

### Regulatory Approvals

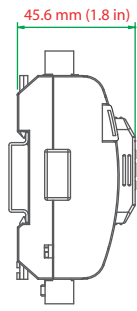
**EMI:** FCC Part 15, CISPR (EN55022) class A  
**EMS:** IEC 61000-4, IEC 61000-6  
**Safety:** UL508  
**Shock:** IEC 60068-2-27  
**Freefall:** IEC 60068-2-32  
**Vibration:** IEC 60068-2-6

*Note: Please check Moxa's website for the most up-to-date certification status.*

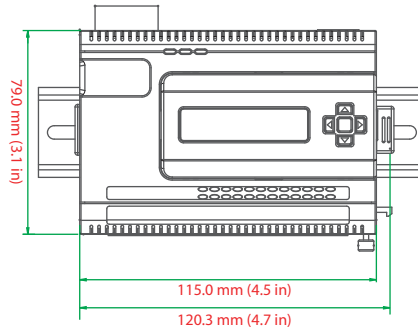
### Warranty

**Warranty Period:** 5 years  
**Details:** See [www.moxa.com/warranty](http://www.moxa.com/warranty)

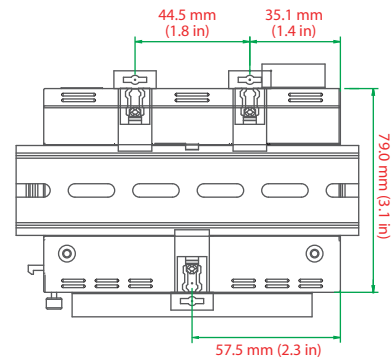
## Dimensions



Side View



Front View



Rear View

## : Ordering Information

### Available Models

**ioLogik E2262:** Active Ethernet micro controller with 8 thermocouple inputs and 4 digital outputs, -10 to 60°C operating temperature

**Accessories** (can be purchased separately)

**LDP1602:** LCD module with 16 x 2 text and 5 buttons

# LDP1602 LCD Module

*Snap-on module for the ioLogik E2200/R2100 series*

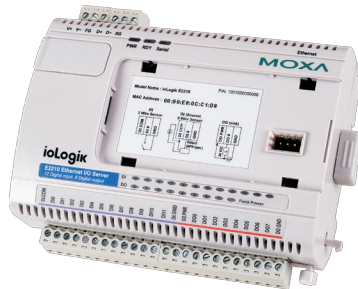


- > Hot-pluggable display module for ioLogik Active Ethernet micro controllers
- > Easy, portable configuration kit for IP display and configuration
- > Direct display for analog value and digital input, counter status
- > No battery required (powered through the I/O )

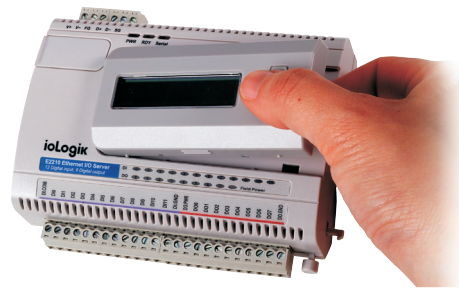


## Installing the LCD Module

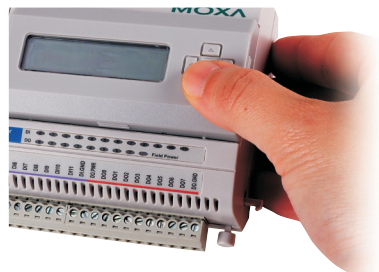
1. Remove the ioLogik's top cover.



2. Plug in the LCD module.



3. Check and configure the IP address.



4. Check IP and I/O status.



## Specifications

**LCD Screen:** 16 x 2 text display (in English)  
**Operating Temperature:** 0 to 55°C (32 to 131°F)

**Storage Temperature:** -20 to 70°C (-4 to 158°F)  
**Ambient Relative Humidity:** 5 to 95% (non-condensing)

## Ordering Information

**LDP1602:** LCD module with 16 x 2 text display and 5 buttons