

# MOXA® NPort Server Lite Quick Installation Guide

Third Edition, September 2006

## 1. Overview

Welcome to Moxa's NPort Server Lite, a compact palm-sized data communication device that allows you to control RS-232 (DE-301/302/304) or RS-422/485 (DE-331/332/334) serial devices over a TCP/IP based Ethernet network.

## 2. Package Checklist

Before installing the NPort Server Lite, verify that the package contains the following items:

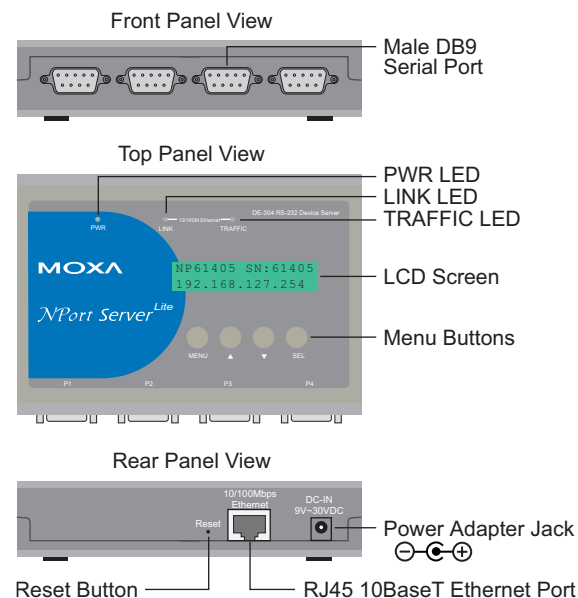
- NPort Server Lite
- NPort Quick Installation Guide for DE-301/302/304 & DE-331/332/334
- 2 metal plates and 6 screws
- Power adapter (110V or 230V)
- NPort Document & Software CD

### Optional Accessories

- DK-35A DIN-rail mounting kit (35 mm)

Please notify your sales representative if any of the above items is missing or damaged.

## 3. Hardware Introduction



**Reset Button**—Hold down the reset button for 3 seconds to erase the password. The LINK LED will flash every half second when the password has been erased, after which the reset button may be released.

**LED Indicators**—The top panel contains three LED indicators.

LED Name	LED Color	LED Function
PWR	red	Power is on
	off	Power is off, or power error condition exists
LINK	green	10/100 Mbps Ethernet connection
	off	Ethernet cable is disconnected, or has a short
TRAFFIC	green	NPort Server system is ready
	flashing	Data is being transmitted through the Ethernet port

**LCD Screen**—When the unit is powered up, the LCD screen will display the server name, serial number, and IP address as follows:

N	P	6	1	4	0	5	S	N	:	6	1	4	0	5
1	9	2	.	1	6	8	.	1	2	7	.	2	5	4

In the example above, NP61405 is the server's name, 61405 is the server's serial number, and 192.168.127.254 is the server's IP address.

**Menu Buttons**—The four menu buttons on the top panel are used to adjust various settings:

Button	Action
MENU	Activate the main menu, or return to a lower level
△	Scroll up through a list of items
▽	Scroll down through a list of items
SEL	Select the listed option

Detailed operating instructions can be found on the CD-ROM in the "NPort Server Lite Hardware Installation Guide."

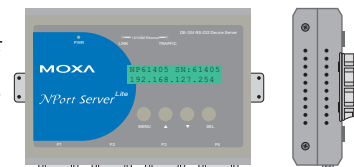
## 4. Hardware Installation Procedure

### Placement Options

#### Wall Mount

#### DIN-Rail

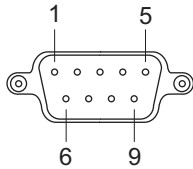
The unit may be placed on a desktop or other horizontal surface. You may also make use of the DIN-rail or wall mount options, as illustrated here.



P/N: 1802003014100

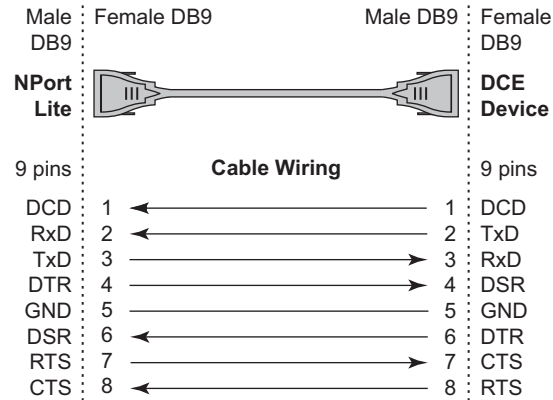
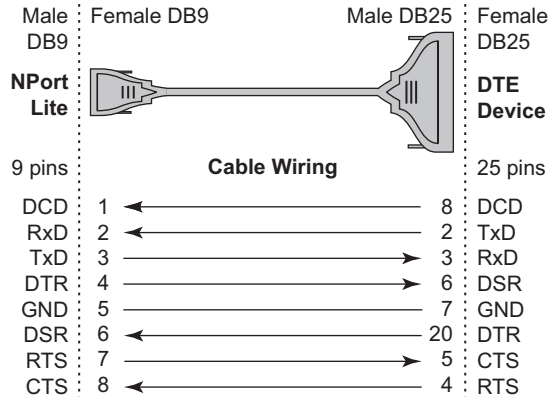
## 5. Pin Assignments and Cable Wiring

### DB9 Male Port Pinouts

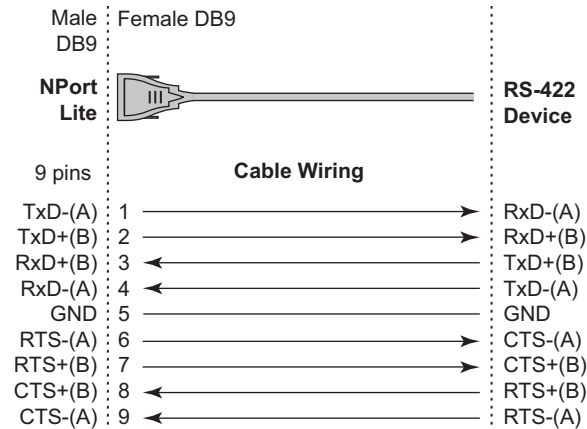


PIN	RS-232	RS-422	2-wire RS-485
1	DCD	TxD-(A)	Data-(A)
2	RxD	TxD+(B)	Data+(B)
3	TxD	RxD+(B)	---
4	DTR	RxD-(A)	---
5	GND	GND	GND
6	DSR	RTS-(A)	---
7	RTS	RTS+(B)	---
8	CTS	CTS+(B)	---
9	---	CTS-(A)	---

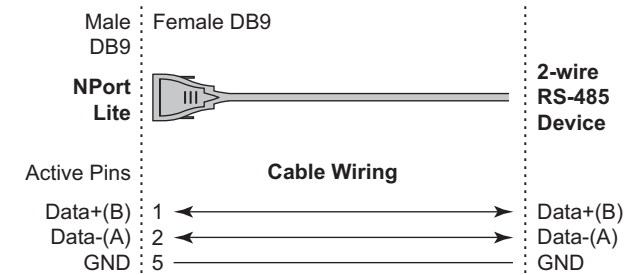
### RS-232 Wiring



### RS-422 Wiring



### 2-wire RS-485 Wiring



## 6. Environmental Specifications

Power requirements	DC 9V to 30V, 1.05A at 9V
Operating temp.	0 to 55°C
Operating humidity	5 to 95% RH
Dimensions (W×D×H)	155 × 105 × 33 mm 6.10 × 4.13 × 1.30 in
Surge protection	15 KV ESD for serial port
Magnetic isolation	1.5 KV for Ethernet
Regulatory approvals	FCC B, CE B, UL, CUL, TUV

## 7. Software Installation Information

Detailed instructions for installing the included software can be found on the NPort Document & Software CD in the "NPort Family Software Installation Guide."

Copyright © 2006  
Moxa Technologies Co., Ltd.  
All rights reserved.

Reproduction without permission is prohibited.

**MOXA**<sup>®</sup>

Tel: +886-2-8919-1230 [www.moxa.com](http://www.moxa.com)  
Fax: +886-2-8919-1231 [support@moxa.com](mailto:support@moxa.com)