

# UC-3100 Series

Arm Cortex-A8 1 GHz IloT gateway with built-in LTE Cat. 1 and Wi-Fi modules



## Features and Benefits

- Armv7 Cortex-A8 1000 MHz processor
- Integrated Wi-Fi 802.11a/b/g/n and LTE Cat. 1 for the US, EU, and APAC regions
- Bluetooth 4.2 support
- LTE-ready computer with Verizon/AT&T certification and industrial-grade CE/FCC/UL certifications
- Industrial CAN 2.0 A/B protocols supported
- -40 to 70°C operating temperature range
- Meets the EN 61000-6-2 and EN 61000-6-4 standards for industrial EMC applications
- Long-term Linux support until 2027; includes bug fixes and security patches

## Certifications



## Introduction

Moxa's UC-3100 Series computers can be used as smart gateways in the field for data pre-processing and transmission, as well as for other embedded data-acquisition applications. The series includes a diverse set of models, each supporting different wireless options and protocols. The UC-3100's advanced heat-dissipation design makes it suitable for use in temperatures ranging from -40 to 70°C. In fact, the Wi-Fi and LTE connections can be used simultaneously in both cold and hot environments, allowing you to maximize data pre-processing and transmission capabilities of your applications in harsh operating environments.

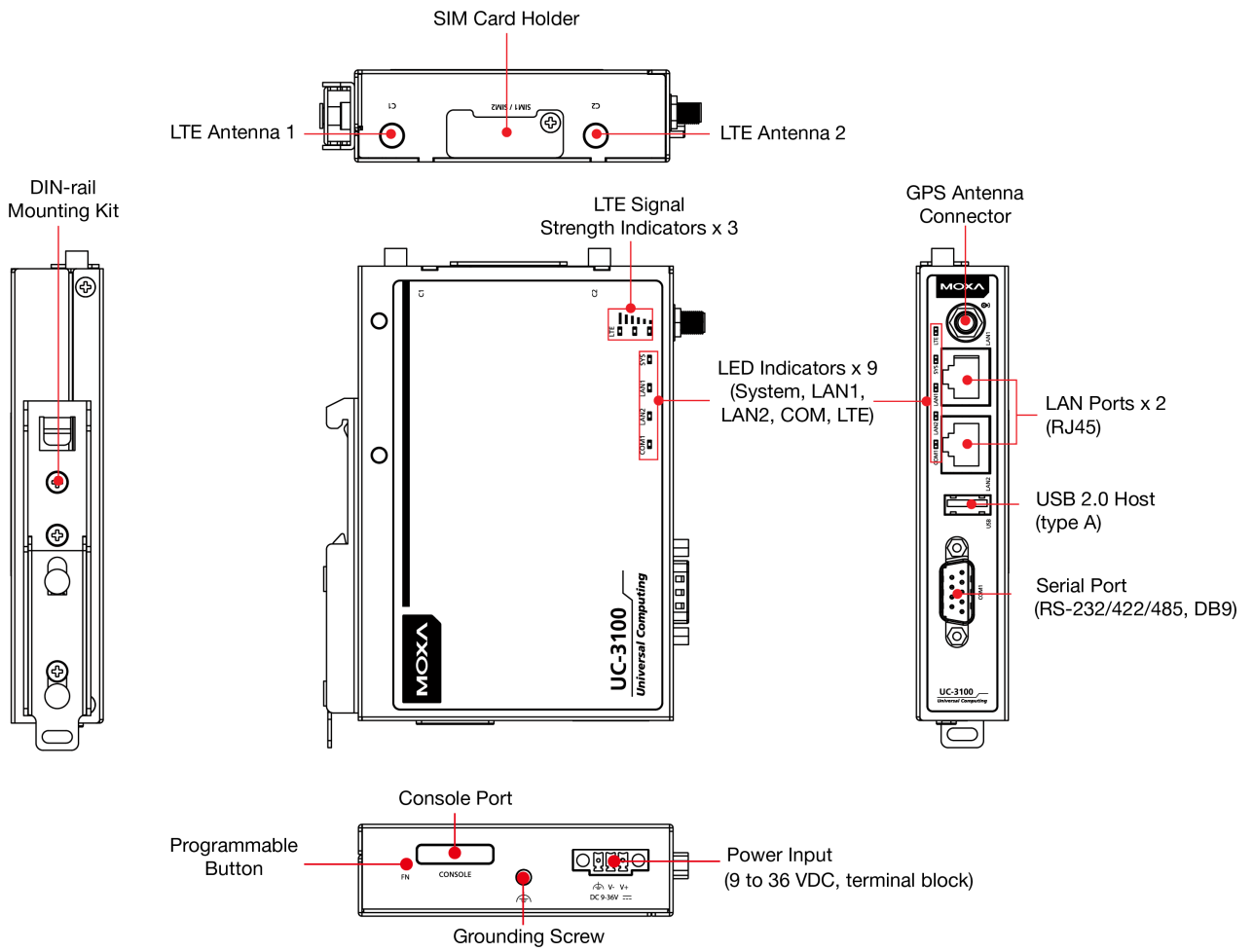
The UC-3100 is more than just a hardware solution. In order to offer a better user experience with a Moxa Arm-based computer, the UC-3100 comes equipped with Moxa Industrial Linux, a high-performance industrial-grade Linux distribution with long-term support that is developed by Moxa.

## Applications

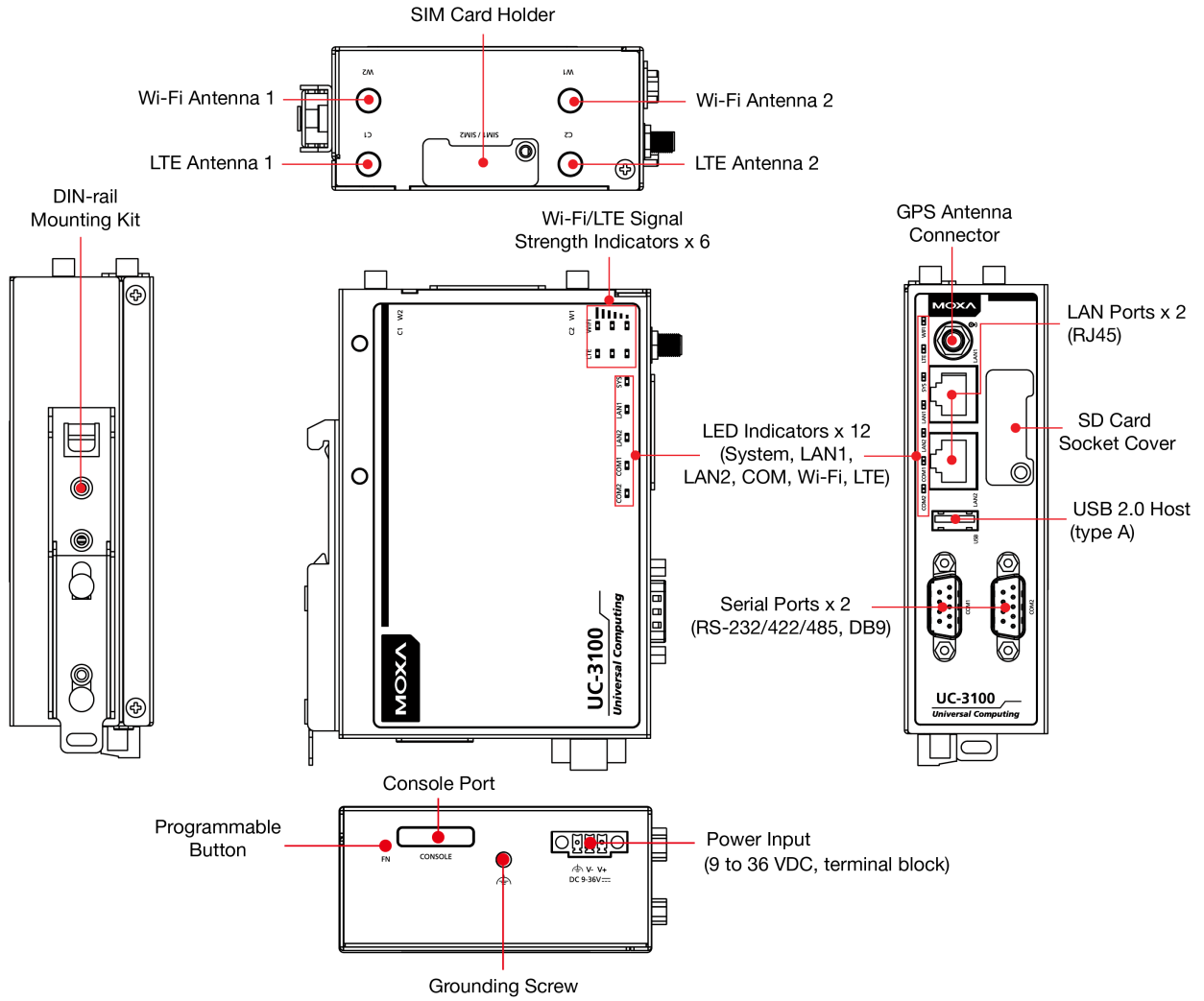
- Remote Terminal Unit (RTU)
- Data acquisition
- M2M communication (smart gateway)
- Digital signage
- Factory automation
- In-vehicle monitor/data logger (transportation)
- Programmable router
- Energy usage optimization
- Predictive maintenance
- Asset management

# Appearance

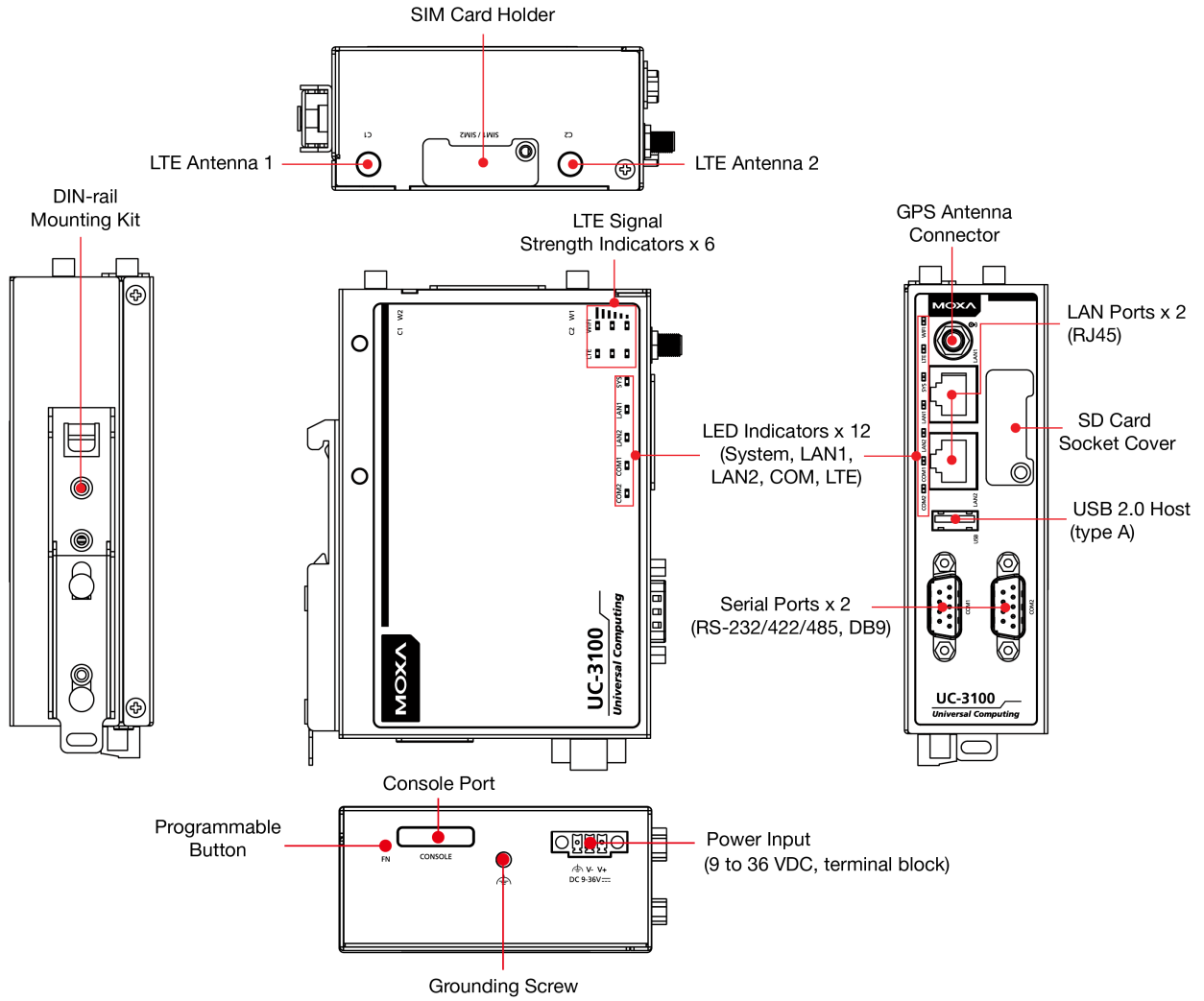
## UC-3101

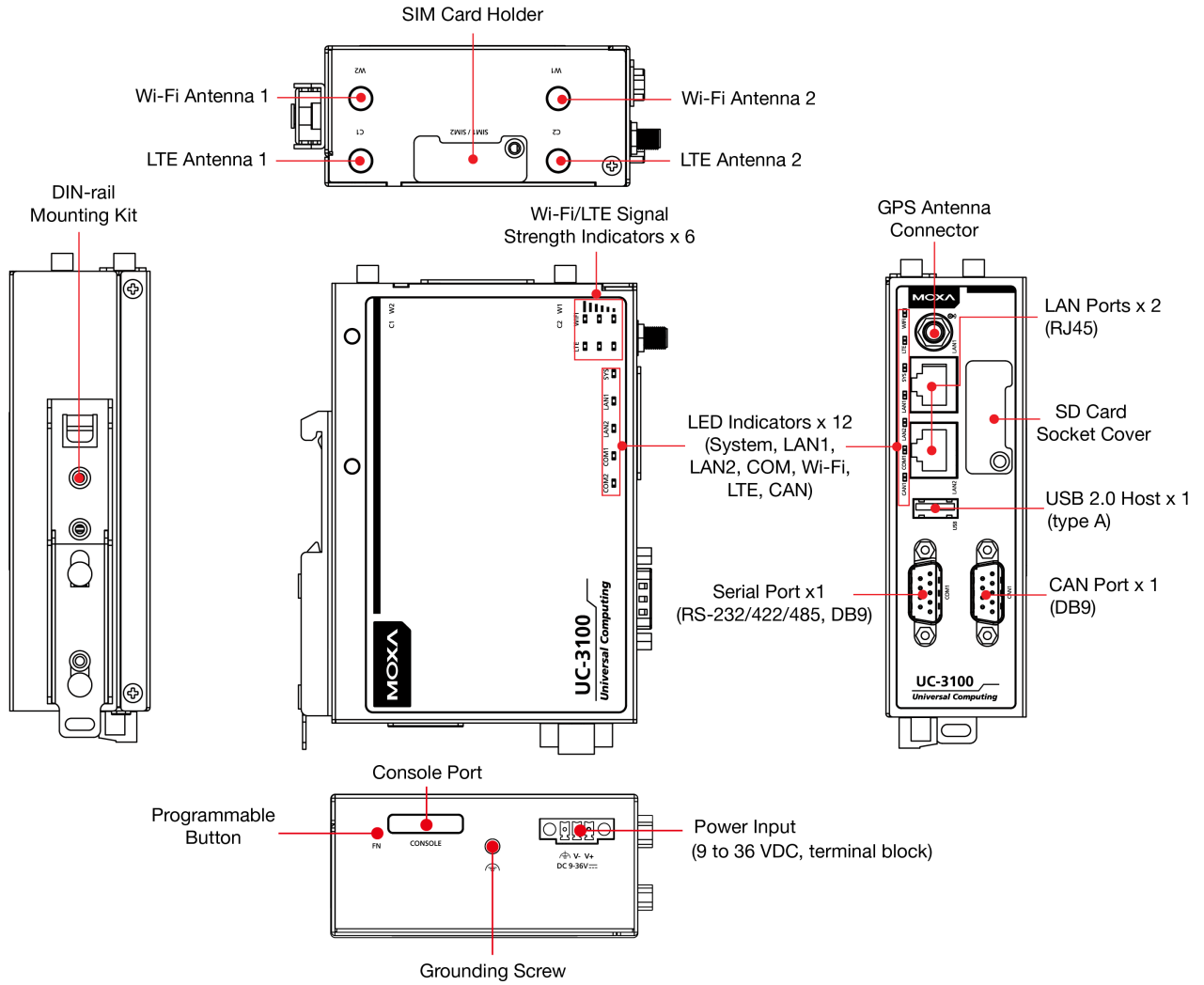


**UC-3111 (non-NW models)**



**UC-3111 (NW models)**





## Specifications

### Computer

|                       |  |
|-----------------------|--|
| CPU                   | Armv7 Cortex-A8 1 GHz  |
| DRAM                  | 1 GB DDR3  |
| Supported OS          | Moxa Industrial Linux 1 (Debian 9, kernel 4.4), 2027 EOL<br>See <a href="http://www.moxa.com/MIL">www.moxa.com/MIL</a> |
| Storage Pre-installed | 8 GB eMMC  |
| Storage Slot          | UC-3111/3121 Models: SD slots x 1  |

### Computer Interface

|                            |   |
|----------------------------|---|
| Ethernet Ports             | Auto-sensing 10/100 Mbps ports (RJ45 connector) x 2   |
| Serial Ports               | UC-3101/3121 Models: RS-232/422/485 ports x 1, software-selectable (DB9 male)<br>UC-3111 Models: RS-232/422/485 ports x 2, software-selectable (DB9 male) |
| USB 2.0                    | USB 2.0 hosts x 1, type-A connectors  |
| Cellular Antenna Connector | SMA x 2   |

|                               |  |
|-------------------------------|--|
| SIM Format                    | Nano   |
| Number of SIMs                | 2  |
| GPS Antenna Connector         | SMA x 1  |
| Wi-Fi Antenna Connector       | UC-3111/UC-3121 Models: RP-SMA x 2   |
| Console Port                  | RS-232 (TxD, RxD, GND), 4-pin header output (115200, n, 8, 1)  |
| TPM                           | TPM v2.0   |
| <b>Ethernet Interface</b>     |  |
| Magnetic Isolation Protection | 1.5 kV (built-in)  |
| <b>Cellular Interface</b>     |  |
| Band Options                  | <p><b>US Models:</b><br/> LTE Bands: Band 2 (1900 MHz) / Band 4 (1700 MHz) / Band 5 (850 MHz) / Band 12 (700 MHz) / Band 13 (700 MHz) / Band 14 (700 MHz) / Band 66 (1700 MHz) / Band 71 (600 MHz)<br/> UMTS Bands: 2 (1900 MHz) / Band 4 (1700 MHz) / Band 5 (850 MHz)<br/> Carrier Approval: Verizon, AT&amp;T</p> <p><b>EU Models:</b><br/> LTE Bands: Band 1 (2100 MHz) / Band 3 (1800 MHz) / Band 7 (2600 MHz) / Band 8 (900 MHz) / Band 20 (800 MHz) / Band 28A (700 MHz)<br/> UMTS Bands: Band 1 (2100 MHz) / Band 3 (1800 MHz) / Band 8 (900 MHz)</p> <p><b>AP Models:</b><br/> LTE Bands: Band 1 (2100 MHz) / 3 (1800 MHz) / Band 5 (850 MHz) / Band 8 (900 MHz) / Band 9 (1700 MHz) / Band 18 (850 MHz) / Band 19 (850 MHz) / Band 26 (850 MHz) / Band 28 (700 MHz)<br/> UMTS Bands: 1 (2100 MHz) / Band 5 (850 MHz) / Band 6 (800 MHz) / Band 8 (900 MHz) / Band 19 (800 MHz)</p> |
| <b>WLAN Interface</b>         |  |
| WLAN Standards                | UC-3111-T-LX/UC-3121-T-LX Models: 802.11a/b/g/n, Bluetooth 4.2 compliance  |
| Frequency Band                | UC-3111-T-LX/UC-3121-T-LX Models: 2.4 GHz/5 GHz  |
| <b>Serial Interface</b>       |  |
| Baudrate                      | 50 bps to 921.60 kbps  |
| Data Bits                     | 5, 6, 7, 8   |
| Stop Bits                     | 1, 1.5, 2  |
| Parity                        | None, Even, Odd, Space, Mark   |
| Flow Control                  | RTS/CTS, XON/XOFF<br>ADDC (automatic data direction control) for RS-485<br>RTS Toggle (RS-232 only)  |
| <b>Serial Signals</b>         |  |
| RS-232                        | TxD, RxD, RTS, CTS, DTR, DSR, DCD, GND   |
| RS-422                        | Tx+, Tx-, Rx+, Rx-, GND  |
| RS-485-2w                     | Data+, Data-, GND  |
| <b>CAN Interface</b>          |  |
| Baudrate                      | UC-3121-T-US-LX/UC-3121-T-EU-LX/UC-3121-T-AP-LX: 10 to 1000 kbps   |
| Connector                     | UC-3121-T-US-LX/UC-3121-T-EU-LX/UC-3121-T-AP-LX: DB9 male  |

|  |  |
|--|--|
| Isolation                              | UC-3121-T-US-LX/UC-3121-T-EU-LX/UC-3121-T-AP-LX: 2 kV (built-in)   |
| Signals                                | UC-3121-T-US-LX/UC-3121-T-EU-LX/UC-3121-T-AP-LX: CAN_H, CAN_L, CAN_GND, CAN_SHLD, CAN_V+, GND  |
| <b>LED Indicators</b>                  |  |
| System                                 | Power x 1  |
| CAN                                    | UC-3121-T-US-LX/UC-3121-T-EU-LX/UC-3121-T-AP-LX: 1 per port (Tx, Rx)   |
| Serial                                 | 1 per port (Tx, Rx)  |
| LAN                                    | 1 per port (10/100 Mbps)   |
| Wireless Signal Strength               | UC-3101 Models: Cellular x 3<br>UC-3111/UC-3121 Models: Cellular x 3 and Wi-Fi x 3   |
| <b>Power Parameters</b>                |  |
| Input Current                          | 500 mA @ 12 VDC  |
| Input Voltage                          | 9 to 36 VDC  |
| Power Consumption                      | UC-3101 Models: 6 W (Max)<br>UC-3111/UC-3121 Models: 8 W (Max)   |
| <b>Physical Characteristics</b>        |  |
| Dimensions (without ears)              | UC-3101 Models: 128.5 x 89.1 x 26 mm (5.06 x 3.51 x 1.02 in)<br>UC-3111/UC-3121 Models: 128.5 x 89.1 x 41 mm (5.06 x 3.51 x 1.61 in)   |
| Weight                                 | Product only: 550 g (1.22 lb)  |
| Housing                                | Metal  |
| Installation                           | DIN-rail mounting<br>Wall mounting (with optional kit)   |
| <b>Environmental Limits</b>            |  |
| Operating Temperature                  | -40 to 70°C (-40 to 158°F)   |
| Storage Temperature (package included) | -40 to 85°C (-40 to 185°F)   |
| Ambient Relative Humidity              | 5 to 95% (non-condensing)  |
| Vibration                              | 5 Grms @ IEC 60068-2-64, random wave, 5-500 Hz, 1 hr per axis (without USB devices attached)   |
| Shock                                  | IEC 60068-2-27   |
| <b>Standards and Certifications</b>    |  |
| EMC                                    | EN 61000-6-2/-6-4<br>EN 55032/35   |
| EMI                                    | CISPR 32, FCC Part 15B Class A   |
| EMS                                    | IEC 61000-4-2 ESD: Contact: 4 kV; Air: 8 kV<br>IEC 61000-4-3 RS: 80 MHz to 1 GHz: 10 V/m<br>IEC 61000-4-4 EFT: Power: 2 kV; Signal: 1 kV<br>IEC 61000-4-5 Surge: Power: 0.5 kV; Signal: 1 kV<br>IEC 61000-4-6 CS: 10 V<br>IEC 61000-4-8 PFMF |
| Carrier Approvals                      | UC-3101-T-US-LX: AT&T, Verizon<br>UC-3111-T-US-LX/-T-US-LX-NW: AT&T, Verizon<br>UC-3121-T-US-LX: AT&T, Verizon   |

|                     |   |
|---------------------|---|
| Cellular Standards  | EN 301511<br>EN 301908-1<br>EN 62311(MPE SAR)<br>EN 301489-1/-52<br>EN 301489-1/17  |
| Radio Frequency     | FCC<br>PTCRB<br>RCM<br>IFETEL (UC-3111-T-US-LX)<br>ENACOM (UC-3111-T-EU-LX)<br>NBTC (UC-3111-T-EU-LX)<br>SUBTEL (UC-3111-T-EU-LX) |
| WLAN Standards      | EN 301489-1-17<br>EN 300328<br>EN 301893  |
| Safety              | IEC 60950-1<br>UL 60950-1<br>IEC 62368-1<br>UL 62368-1<br>NOM (UC-3111-T-US-LX)   |
| Hazardous Locations | Class I Division 2<br>ATEX<br>IECEX   |
| Green Product       | RoHS, CRoHS, WEEE   |

#### MTBF

|           |  |
|-----------|--|
| Time      | UC-3101-T-US-LX: 702,846 hrs<br>UC-3101-T-EU-LX/T-AP-LX: 585,775 hrs<br>UC-3111-T-US-LX: 465,569 hrs<br>UC-3111-T-EU-LX/T-AP-LX: 416,081 hrs<br>UC-3121-T-US-LX: 474,796 hrs<br>UC-3121-T-EU-LX/T-AP-LX: 428,931 hrs |
| Standards | Telcordia (Bellcore) Standard  |

#### Warranty

|                 |  |
|-----------------|--|
| Warranty Period | 5 years  |
| Details         | See <a href="http://www.moxa.com/warranty">www.moxa.com/warranty</a> |

#### Package Contents

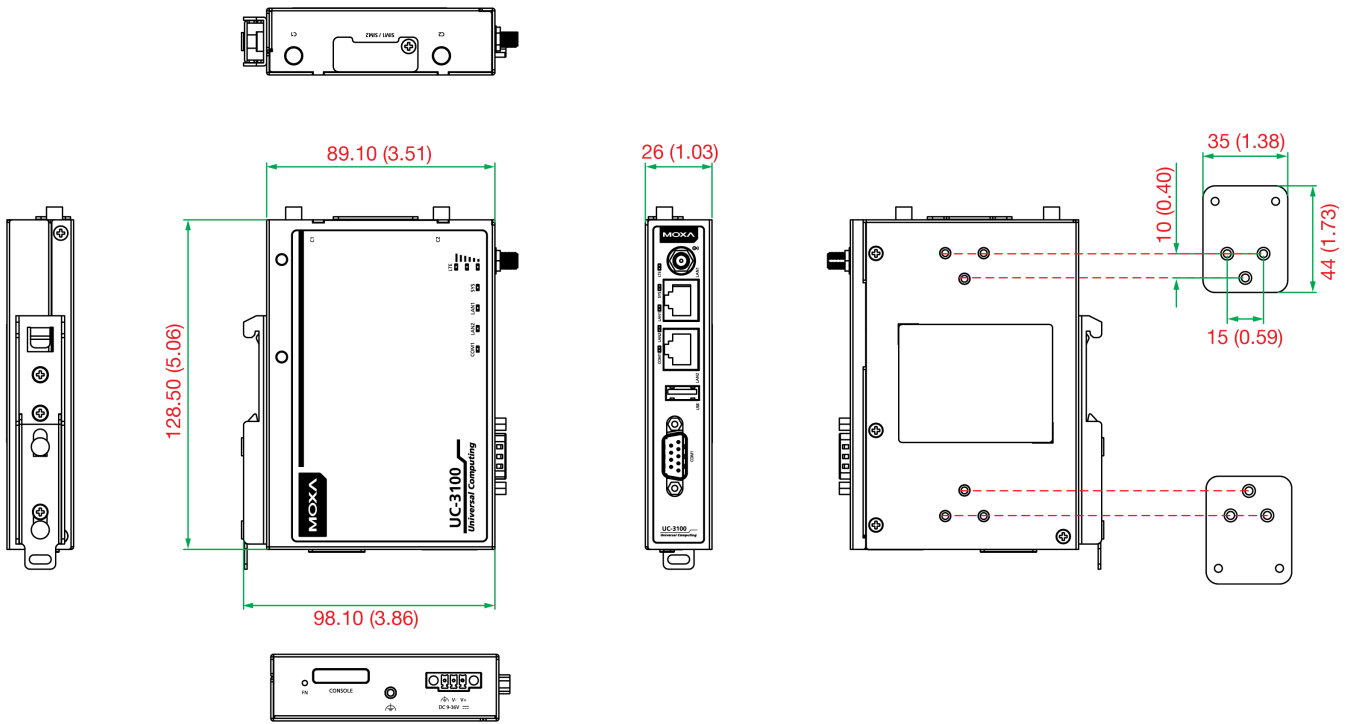
|               |   |
|---------------|---|
| Device        | 1 x UC-3100 Series computer                       |
| Cable         | 1 x terminal block to power jack converter        |
| Documentation | 1 x quick installation guide<br>1 x warranty card |



# Dimensions

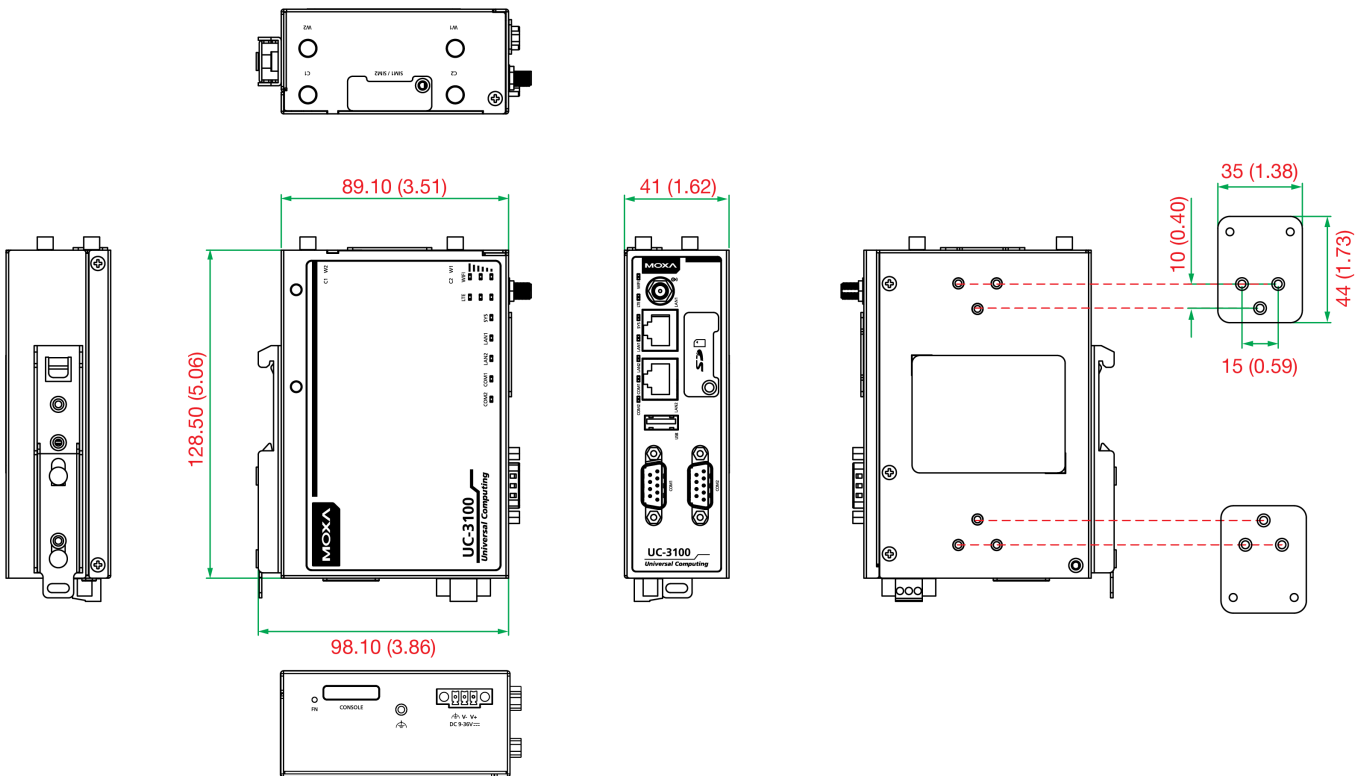
## UC-3101

Unit: mm (inch)



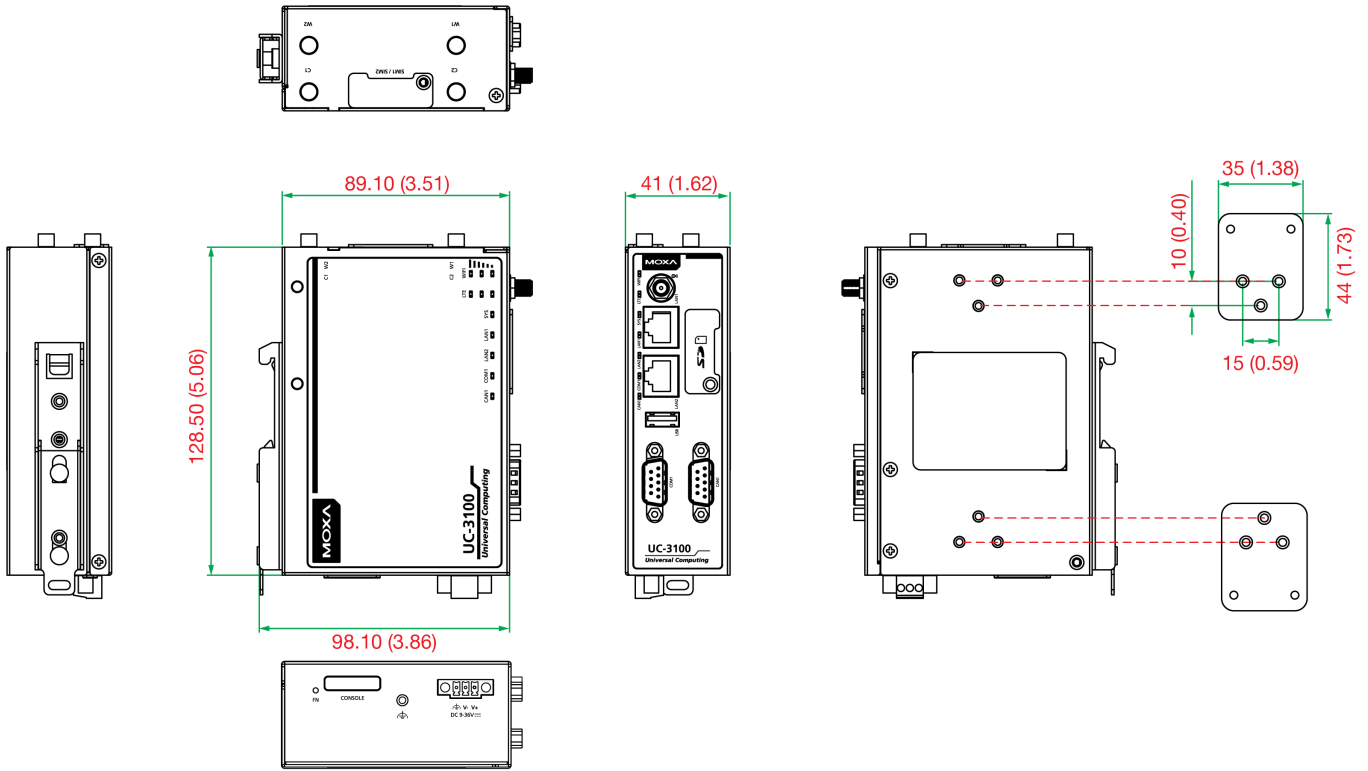
## UC-3111

Unit: mm (inch)



# UC-3121

Unit: mm (inch)



## Ordering Information

| Model Name         | Carrier Approval | CPU   | SD Slot | RAM  | eMMC | Serial | TPM 2.0 | CAN | LTE    | Wi-Fi | BLT |
|--------------------|------------------|-------|---------|------|------|--------|---------|-----|--------|-------|-----|
| UC-3101-T-US-LX    | AT&T, Verizon    | 1 GHz | -       | 1 GB | 8 GB | 1      | ✓       | -   | Cat. 1 | -     | -   |
| UC-3111-T-US-LX    | AT&T, Verizon    | 1 GHz | 1       | 1 GB | 8 GB | 2      | ✓       | -   | Cat. 1 | ✓     | ✓   |
| UC-3111-T-US-LX-NW | AT&T, Verizon    | 1 GHz | 1       | 1 GB | 8 GB | 2      | ✓       | -   | Cat. 1 | -     | -   |
| UC-3121-T-US-LX    | AT&T, Verizon    | 1 GHz | 1       | 1 GB | 8 GB | 1      | ✓       | 1   | Cat. 1 | ✓     | ✓   |
| UC-3101-T-EU-LX    | -                | 1 GHz | -       | 1 GB | 8 GB | 1      | ✓       | -   | Cat. 1 | -     | -   |
| UC-3111-T-EU-LX    | -                | 1 GHz | 1       | 1 GB | 8 GB | 2      | ✓       | -   | Cat. 1 | ✓     | ✓   |
| UC-3111-T-EU-LX-NW | -                | 1 GHz | 1       | 1 GB | 8 GB | 2      | ✓       | -   | Cat. 1 | -     | -   |
| UC-3121-T-EU-LX    | -                | 1 GHz | 1       | 1 GB | 8 GB | 1      | ✓       | 1   | Cat. 1 | ✓     | ✓   |
| UC-3101-T-AP-LX    | -                | 1 GHz | -       | 1 GB | 8 GB | 1      | ✓       | -   | Cat. 1 | -     | -   |
| UC-3111-T-AP-LX    | -                | 1 GHz | 1       | 1 GB | 8 GB | 2      | ✓       | -   | Cat. 1 | ✓     | ✓   |
| UC-3111-T-AP-LX-NW | -                | 1 GHz | 1       | 1 GB | 8 GB | 2      | ✓       | -   | Cat. 1 | -     | -   |
| UC-3121-T-AP-LX    | -                | 1 GHz | 1       | 1 GB | 8 GB | 1      | ✓       | 1   | Cat. 1 | ✓     | ✓   |

## Accessories (sold separately)

### Power Adapters

PWR-12150-CN-SA-T

Locking barrel plug, 12 VDC, 1.5 A, 100 to 240 VAC, China (CN) plug, -40 to 75°C operating temperature

|                     |  |
|---------------------|--|
| PWR-12150-EU-SA-T   | Locking barrel plug, 12 VDC, 1.5 A, 100 to 240 VAC, Continental Europe (EU) plug, -40 to 75°C operating temperature    |
| PWR-12150-UK-SA-T   | Locking barrel plug, 12 VDC, 1.5 A, 100 to 240 VAC, United Kingdom (UK) plug, -40 to 75°C operating temperature        |
| PWR-12150-AU-SA-T   | Locking barrel plug, 12 VDC, 1.5 A, 100 to 240 VAC, Australia (AU) plug, -40 to 75°C operating temperature             |
| PWR-12150-USJP-SA-T | Locking barrel plug, 12 VDC 1.5 A, 100 to 240 VAC, United States/Japan (US/JP) plug, -40 to 75°C operating temperature |

#### Cables

|                     |   |
|---------------------|---|
| CBL-F9DPF1x4-BK-100 | Console cable with 4-pin connector, 1 m |
|---------------------|---|

#### DIN-Rail Mounting Kits

|                      |                          |
|----------------------|--------------------------|
| UC-3100 DIN-Rail Kit | DIN-rail kit with screws |
|----------------------|--------------------------|

#### Wall-Mounting Kits

|                           |                               |
|---------------------------|-------------------------------|
| UC-3100 Wall-Mounting Kit | Wall-mounting kit with screws |
|---------------------------|-------------------------------|

#### Antennas

|                     |  |
|---------------------|--|
| ANT-LTE-ASM-02      | GPRS/EDGE/UMTS/HSPA/LTE, omni-directional rubber duck antenna, 2 dBi   |
| ANT-WDB-ARM-02      | 2.4/5 GHz, omni-directional rubber duck antenna, 2 dBi, RP-SMA (male)  |
| ANT-LTEUS-ASM-01    | GSM/GPRS/EDGE/UMTS/HSPA/LTE, omni-directional rubber duck antenna, 1 dBi   |
| UC-3100 Antenna Set | 4 dBi at 1575 MHz to 1610 MHz, SMA (male), active GPS/GLONASS, adhesive-type antenna with 20-cm cable; 2 x 4 dBi at 2.4 GHz or 5 dBi at 5 GHz, RP-SMA (female), omnidirectional antennas; 2 x 1.5 dBi 698 to 960 MHz or 1710 to 2700 MHz, SMA (male), LTE, swivel-type omnidirectional portable antennas |

© Moxa Inc. All rights reserved. Updated Jul 14, 2023.

This document and any portion thereof may not be reproduced or used in any manner whatsoever without the express written permission of Moxa Inc. Product specifications subject to change without notice. Visit our website for the most up-to-date product information.