

VPort 3310 Series

Rugged 1-channel MPEG4 industrial video server (encoder)



- > Industrial design with -40 to 75°C operating temperature
- > Compress analog video/audio signals in MPEG4 video stream
- > Multicast (IGMP) for transmission efficiency
- > Video stream up to 30 frames/sec at CIF (352 x 240) resolution
- > Free VPort SDK and 4-channel video surveillance software



Introduction

The VPort 3310 is a 1-channel industrial video server (encoder) that uses the standard MPEG4 algorithm, and features DIN-Rail mounting capability, 24 VDC redundant power inputs, and IP30 protection to meet the requirements of industrial environments. A cutting edge MPEG4 algorithm gives the VPort 3310 an FPS of up

to 30 in CIF resolution (352 x 240), with maximum bandwidth of 1.6 Mbps, to provide high video performance and more efficient network transmission. In addition, the VPort 3310 also supports audio communication for a voice-over-IP solution, making the control of your video surveillance system more real-time.

Specifications

Video

- Video Compression:** MPEG4 (ISO/IEC 14496-2)
- Video Inputs:** 1, BNC connector (1.0 Vpp, 75 ohms)
- Video Outputs:** 1, loop-through BNC connector
- NTSC/PAL:** Auto-sensing or manual
- Video Resolution and FPS (frames per second):**

	NTSC		PAL	
	Size	Max. FPS	Size	Max. FPS
QCIF	176 x 120	30	176 x 144	25
CIF	352 x 240	30	352 x 288	25
VGA	640 x 480	10	640 x 576	8
4CIF	704 x 480	10	704 x 576	8

Video Viewing:

- Adjustable image size and quality
- B/W or color control
- Timestamp and text overlay

Audio

Audio Inputs: 1 Line-in or MIC-in with 3.5 mm phone jack

Network

Protocols: TCP, UDP, HTTP, SMTP, FTP, RTSP, RTP, RTCP, NTP, DNS, DDNS, IGMPv3, SNMPv1/v2c/v3, DHCP, UPnP, PPPoE

Ethernet: 1 10/100BaseT(X) auto negotiating RJ45 port

Serial Port

COM Ports: 1, RS-232 (DB9 male connector) or RS-485 (terminal block connector), max. speed of 115.2 Kbps

GPIO

- Digital Inputs:** 2, max. 8 mA
 - High: +13 to +30V
 - Low: -30 to +3V
- Relay Outputs:** 2, max. 24 VDC @ 1 A

LED Indicators

- PWR1:** Power 1
- PWR2:** Power 2
- FAULT:** Power failure
- VIDEO:** Video input
- AUDIO:** Audio input
- SERIAL:** COM port status

Power Requirements

- Input Voltage:** 2 24 VDC power inputs for redundancy
- Power Consumption:** Max. 7.5 W

Physical Characteristics

- Housing:** Metal, IP30 protection
- Dimensions:** 52.98 x 135 x 105 mm (2.09 x 5.31 x 4.13 in)
- Weight:** 790 g
- Installation:** DIN-Rail mounting, wall mounting (with optional kit)

Alarms

- Video Motion Detection:** Includes sensitivity tuning
- Scheduling:** Daily repeat timing schedule
- Imaging:** JPEG snapshots for pre/trigger/post alarm images
- Email/FTP Messaging:** Automatic transfer of stored images via email or FTP with event-triggered actions

PAN/TILT/ZOOM

PTZ Camera Control: Via RS-232/485 port

Supported Device Protocol: Sony VISCA, Cannon VC-C1/VC-C3/VC-C4, Samsung SmartDOME, Dynacolor DynaDOME, Pelco D protocol, Liling PIH-7x00, Ernitec, Custom Camera

Detection: Automatic PTZ camera model detection

Security

Password: User level password protection

Filtering: By IP address

Environmental Limits

Operating Temperature:

Standard Models: 0 to 60°C (32 to 140°F)

Wide Temp. Models: -40 to 75°C (-40 to 167°F)

Storage Temperature: -40 to 85°C (-40 to 185°F)

Ambient Relative Humidity: 5 to 95% (non-condensing)

Regulatory Approvals

EMI: FCC Part 15, CISPR (EN55022) class B

EMS:

EN61000-4-2 (ESD), level 2

EN61000-4-3 (RS), level 3

EN61000-4-4 (EFT), level 4

EN61000-4-5 (Surge), level 3

EN61000-4-6 (CS), level 3

EN61000-4-8

EN61000-4-11

EN61000-4-12

Shock: IEC 60068-2-27

Freefall: IEC 60068-2-32

Vibration: IEC 60068-2-6

Note: Please check Moxa's website for the most up-to-date certification status.

MTBF (meantime between failures)

Time: 152,000 hrs

Database: MIL-HDBK-217F, GB 25°C

Warranty

Warranty Period: 5 years

Details: See www.moxa.com/warranty

System Requirements

CPU: Pentium 4, 2.4 GHz or above

Memory: 512 MB memory or above

OS: Windows XP/2000 with SP2 or above

Browser: Internet Explorer 6.x or above

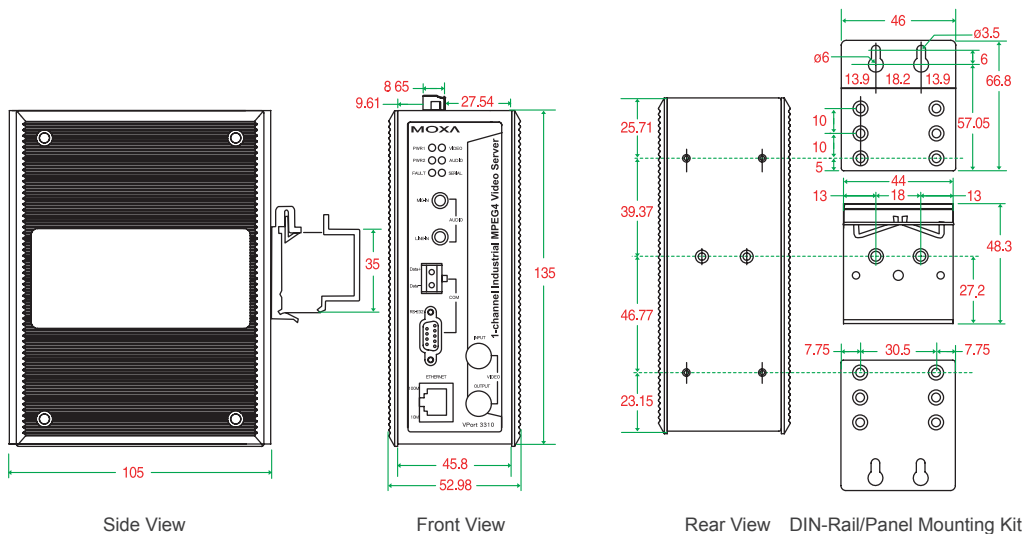
Multimedia: DirectX 9.0c or above

Software Bundled Free

SoftDVR™ Lite: 1 to 4-ch IP surveillance software for viewing and recording

VPort SDK: Includes CGI commands, ActiveX Control, and API library for customized applications or system integration for third-party developers (please contact a Moxa sales representative for details).

Dimensions (unit = mm)



Ordering Information

Available Models

VPort 3310: 1-channel MPEG4 industrial video server with 24 VDC redundant power inputs, 0 to 60°C operating temperature

VPort 3310-T: 1-channel MPEG4 industrial video server with 24 VDC redundant power inputs, -40 to 75°C operating temperature

Optional Accessories (can be purchased separately)

SoftDVR™ Pro: 16-channel IP surveillance software for viewing and recording

DR-4524/75-24/120-24: 45/75/120 W DIN-Rail 24 VDC power supplies

MDR-40-24/60-24: 40/60 W DIN-Rail 24 VDC power supplies, -20 to 70°C operating temperature

WK-46: Wall mounting kit

RK-4U: 4U-high 19" rack mounting kit