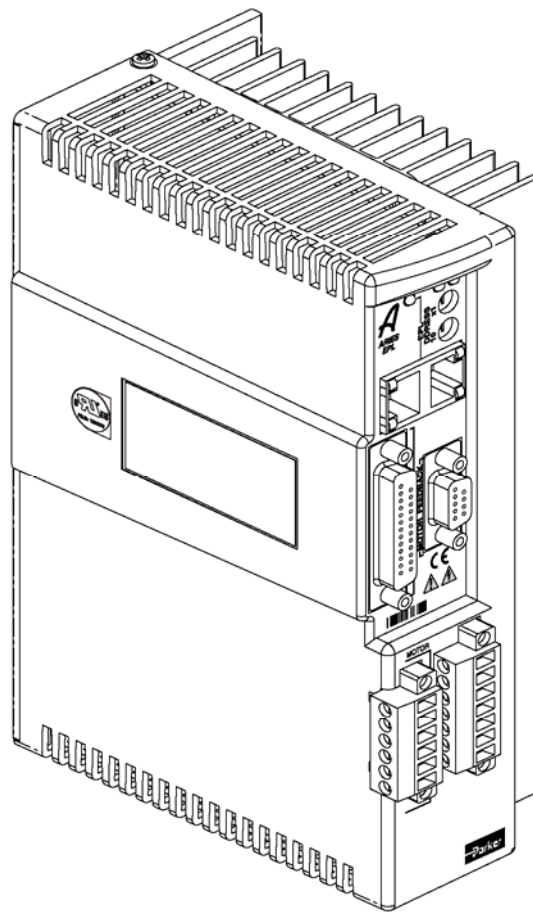


ACR Motion Controllers

88-027024-01B

Aries EPL Hardware Installation Guide

Effective: October 2008



ENGINEERING **YOUR** SUCCESS.

User Information



Warning — Aries EPL series products are used to control electrical and mechanical components of motion control systems. Test your motion system for safety under all potential conditions. Failure to do so can result in damage to equipment and/or serious injury to personnel.

Aries EPL series products and the information in this user guide are the proprietary property of Parker Hannifin Corporation or its licensors, and may not be copied, disclosed, or used for any purpose not expressly authorized by the owner thereof.

Since Parker Hannifin constantly strives to improve all of its products, we reserve the right to change this user guide and software and hardware mentioned therein at any time without notice.

In no event will the provider of the equipment be liable for any incidental, consequential, or special damages of any kind or nature whatsoever, including but not limited to lost profits arising from or in any way connected with the use of the equipment or this user guide.

© 2007 Parker Hannifin Corporation
All Rights Reserved

Technical Assistance

Contact your local automation technology center (ATC) or distributor.

North America and Asia

Parker Hannifin Corporation
5500 Business Park Drive
Rohnert Park, CA 94928
Telephone: (800) 358-9070 or (707) 584-7558
Fax: (707) 584-3793
Email: emn_support@parker.com
Internet: <http://www.parkermotion.com>

Germany, Austria, Switzerland

Parker Hannifin GmbH&Co.KG
Postfach: 77607-1720
Robert-Bosch-Str. 22
D-77656 Offenburg
Telephone: +49 (0) 781 509-0
Fax: +49 (0) 781 509-98176
Email: sales.hauser@parker.com
Internet: <http://www.parker-emd.com>

Europe (non-German speaking)

Parker Hannifin plc
Electromechanical Automation, Europe
Arena Business Centre
Holy Rood Close
Poole
Dorset, UK
BH17 7BA
Telephone: +44 (0) 1202 606300
Fax: +44 (0) 1202 606301
Email: support.digiplan@parker.com
Internet: <http://www.parker-emd.com>

Italy

Parker Hannifin
20092 Cinisello Balsamo
Milan, Italy via Gounod, 1
Telephone: +39 02 66012478
Fax: +39 02 66012808
Email: sales.sbc@parker.com
Internet: <http://www.parker-emd.com>



Technical Support E-mail

emn_support@parker.com

Table of Contents

Important User Information	x
Change Summary	xi
Revision B Changes	xi
Chapter 1 Introduction	1
Aries EPL Products—Overview	2
Product Descriptions	2
Aries EPL Names	2
Input Power Level	2
Output Power Level	3
Options	3
Compatible Parker Products	3
Checking Your Shipment	4
Ship Kit Items	4
Motors	4
Illustrations in this Installation Guide	5
Assumptions of Technical Experience	5
Technical Support	5
Chapter 2 Mechanical Installation	6
Environment & Drive Cooling	7
Cabinet Cooling	8
Cabinet Cooling Calculations	10
Dimensions	11
Drive Dimensions	11
Weight	12
Mounting Guidelines	12
Cable Routing	12
Panel Mounting	12
Chapter 3 Electrical Installation	14
Installation Safety Requirements	15
Precautions	15
Auto-Configuration for Encoders	15
System Installation Overview	16
Connector Locations	17
Power Supply	18
Input Power	18
Control Power Supply	22
Output Power	24
Multiple Drive Installations	26
Safety Earth Connection	26
Brake Relay (Optional)	27
Brake Relay Connector	27
Brake Relay Connection	27
Relay Information	30
Regeneration Protection	31
Regeneration Connection	31
Internal Regeneration Capability	32
Connector Descriptions	33
Mains/Input Power Connector	33
Output Power Connector	34
Motor Feedback Connector	35

Drive I/O Connector	38
ETHERNET Powerlink Connector	42
Chapter 4 Communications.....	43
Overview.....	44
ETHERNET Powerlink Connection	44
EPL/Ethernet Cable Specification.....	44
EPL/Ethernet Connector.....	44
Establishing an EPL Network	46
Connecting to a PC.....	47
Multiple-Drive Installation	48
LED Status Indicators.....	49
EPL Status	49
Drive Status	50
Chapter 5 Tuning.....	51
Servo Tuning Overview	52
Position Variable Overview	53
Commanded Position	53
Actual Position	53
Servo Response Overview.....	54
Stability	54
Position Response Types.....	54
Performance Measurements	55
Servo System Gains.....	56
Proportional Feedback Control (PGAIN)	56
Derivative Feedback Control (DGAIN)	56
Integral Feedback Control (IGAIN)	56
Controlling Integral Windup	57
Servo Tuning—Tutorial	59
Tuning Example	59
Auto-Tuning.....	65
Chapter 6 Troubleshooting.....	66
General Troubleshooting Guidelines.....	67
Power	67
Power-Up Sequence	67
Communications.....	68
Ethernet Status LEDs	68
EPL Status LEDs	69
Motor Control.....	72
Drive Status LEDs	72
Fault Correction	73
Error Codes.....	73
Drive Configuration	75
Smart Encoders	77
Hall Sensors.....	77
Appendix A Additional Specifications	81
Amplifier.....	82
Performance.....	82
Protective Circuits	83
Short Circuit Protection.....	83
Drive Over-Temperature Protection	83
Under-Voltage Protection	84
Over-Voltage Protection	85
Current Foldback	86
Cables	86

EMC Ready Cables	86
Non-EMC Cables.....	86
Appendix B External Power-Dump Resistor Selection.....	87
External Power Dump Resistor Selection	88
Simplified Resistor Selection.....	89
Calculating Resistance—Rotary Motors	90
Total Kinetic Energy.....	90
Total Potential Energy	90
Energy Absorbed by Drive Capacitors	91
Energy Dissipated in Motor Winding Resistance.....	92
Energy Dissipated in Load.....	92
Energy to Dissipate in the External Power-Dump Resistor	93
Resistor Specifications—Rotary Motors.....	94
Calculating Resistance—Linear Motors	96
Total Kinetic Energy.....	96
Total Potential Energy	96
Energy Dissipated in Motor Winding Resistance.....	98
Energy Dissipated in Load.....	98
Energy to Dissipate in the External Power-Dump Resistor	99
Resistor Specifications—Linear Motors	99
Appendix C Regulatory Compliance—UL and CE	102
System Installation Overview	103
General Safety Considerations.....	103
General EMC Considerations	103
Installing the Drive	104
Panel Mounting.....	111
Regulatory Agencies	112
Standards of Compliance	112
Appendix D Servo Tuning Flow Diagram.....	113
Servo Tuning Flow Diagram.....	114
Appendix E VM26 Expansion Module	115
Overview.....	116
Appendix F ETHERNET Powerlink Communications	117
Introduction to ETHERNET Powerlink	118
EPL Cycles and Nodes.....	118
EPL Node ID.....	118
EPL IP Addresses.....	118
EPL and CANopen Standards	119
Utilization of EPL	119
Managing and Controlled Nodes	119
Support for CiA DSP-402	120
Interpolated Position Mode	120

Table of Tables

Table 1 Output Power Level.....	3
Table 2 Ship Kit Items	4
Table 3 Environmental Specifications	7
Table 4 Power Dissipation for 400 Watt Model	8
Table 5 Power Dissipation for 750 Watt Model	9
Table 6 Power Dissipation for 1300 Watt Model	10
Table 7 Drive Dimensions	11
Table 8 Drive Weights	12
Table 9 Input Power Requirements.....	18
Table 10 Motor Power Fuse Information	21
Table 11 Fuse Part Numbers	21
Table 12 Drive Motor Power Inrush Current	22
Table 13 Output Power, Continuous and Peak.....	24
Table 14 Wiring to Parker Motors.....	25
Table 15 Brake Relay Operation	30
Table 16 Regeneration Absorption	32
Table 17 Motor Feedback Connector Pinout	35
Table 18 Inputs—Encoder Inputs Electrical/Timing Characteristics	37
Table 19 Drive I/O Connector Pinout	39
Table 20 Inputs—Trigger and Home Electrical/Timing Characteristics	41
Table 21 Additional Inputs—Electrical/Timing Characteristics.....	41
Table 22 Outputs—General Purpose Outputs Electrical/Timing Characteristics.....	42
Table 23 RJ-45 Connector Pinout.....	45
Table 24 Ethernet Status LED Descriptions.....	45
Table 25 EPL Status Indicator LED Descriptions.....	49
Table 26 Drive Status Indicator LED Descriptions	50
Table 27 Position Response Types	55
Table 28 Ethernet Status LED Descriptions.....	68
Table 29 EPL Status Indicator LED Descriptions.....	69
Table 30 Drive Status Indicator LED Descriptions	72
Table 31 Error Messages	75
Table 32 Configuring Hall Sensors.....	80
Table 33 LED Short Circuit Fault.....	83
Table 34 LED Drive Over-Temperature Fault	83
Table 35 Reset Temperature Values	84
Table 36 LED Under-Voltage Fault	84
Table 37 LED Over-Voltage Fault	85
Table 38 Simplified Selection of External Power-Dump Resistor	89
Table 39 Drive Capacitor Absorption	91
Table 40 Drive Capacitor Absorption	97
Table 41 Control Power Filter Selection.....	107
Table 42 Mains Motor Power Filter Selection	107
Table 43 Ferrite Core Suppressors	109
Table 44 Enclosure Mounting Clamps	109
Table 45 Regulatory Agencies	112

Table of Figures

Figure 1 Cabinet Losses: 400 Watt Model Connected to a Parker BE344J Motor	8
Figure 2 Cabinet Losses: 750 Watt Model Connected to a Parker BE343J Motor	9
Figure 3 Cabinet Losses: 1300 Watt Model Connected to a Parker MPM1421CSJ Motor	10
Figure 4 Drive Mounting for All Models	11
Figure 5 Panel Layout Dimensions for All Models	13
Figure 6 System Installation overview.....	16
Figure 7 Connector Locations	17
Figure 8 Factory Installed Jumpers on Control Power Connector	18
Figure 9 Motor and Control Power Supply Connection, Single Source	19
Figure 10 Motor and Control Power Supply Connection, Separate Sources.....	20
Figure 11 Control Input Power Connection	23
Figure 12 Output Power Connection	25
Figure 13 Multiple Drives Safety Earth Connection	26
Figure 14 Typical Brake Relay Connection.....	27
Figure 15 Brake Relay Connection for Motor with Full Wave Rectifiers	28
Figure 16 Brake Relay Connection for Motor without Full Wave Rectifiers	29
Figure 17 External Regeneration Connection	31
Figure 18 Mains/Input Power Connector.....	33
Figure 19 Output (Motor) Power Connector.....	34
Figure 20 Motor Feedback Connector, Female	35
Figure 21 Motor Feedback Connector, Internal Circuit Diagram	36
Figure 22 Drive I/O Connector, Female	39
Figure 23 Drive I/O Connector, Internal Circuit Diagram	40
Figure 24 RJ-45 Connectors	45
Figure 25 Address Switches.....	46
Figure 26 ETHERNET Powerlink Connection.....	47
Figure 27 Ethernet Connection	47
Figure 28 Multiple Drive Installation	48
Figure 29 Multiple Drive Installation with External Hub.....	48
Figure 30 EPL Status LED	49
Figure 31 Drive Status Indicator LEDs.....	50
Figure 32 Closed Loop and Open Loop System Comparison	52
Figure 33 Commanded Position.....	53
Figure 34 Integrator Windup (without Using ILIMIT Command)	57
Figure 35 Integrator Windup (Using the ILIMIT Command).....	58
Figure 36 Ethernet Status LEDs.....	68
Figure 37 EPL Status LEDs	69
Figure 38 Drive Status LEDs.....	72
Figure 39 Hall Connection Diagram	79
Figure 40 Motor Terminal Voltages (back EMF) and Hall Sensor Signals.....	80
Figure 41 Time until current foldback occurs	86
Figure 42 360° Bonding Techniques.....	106
Figure 43 Typical LVD/EMC Installation	110
Figure 44 Panel Layout Dimensions	111
Figure 45 Servo Tuning Flow Diagram	114
Figure 46 VM25 Expansion Module	116



Product Type.....Aries Family AR-04PE, AR-08PE,
and AR-13PE

The above product complies with the requirements of directives:

- EMC Directive 89/336/EEC;
- Low Voltage Directive 73/23/EEC; and
- CE Marking Directive 93/68/EEC

provided the installation requirements described in this guide are met, and there are no special requirements of the installation and operating environment so that the application may be considered typical.

The above equipment conforms with the protection requirements of Council Directive 89/336/EEC as amended by Directive 92/31/EEC on the approximation of the laws of the Member States relating to Electromagnetic Compatibility when installed, operated and maintained as intended. Also: - The above equipment conforms with the requirements of Council Directive 73/23/EEC (Low Voltage Directive) as amended by Directive 93/68/EEC (CE Marking Directive), when installed, operated, and maintained as intended.

In accordance with IEC 61800-3:1997 (Adjustable speed electrical power drive systems) this product is of the restricted sales distribution class which meets the needs of an industrial environment when installed as directed. However, further measures may need to be taken for use of the product in a domestic environment.

The installation requirements are detailed in the Information supplied with the equipment. The equipment is sold only to competent system builders.

Compliance is demonstrated by the application of the following standards:

- BS EN 61800-3 (1997) including Amendment A11 Adjustable speed electrical Power drive systems Part 3. EMC product standard including specific test methods.
- BS EN 50081-2 (1994) Electromagnetic compatibility—Generic emission standard Part 2. Industrial Environment.
- BS EN 61000-6-2 (1999) Electromagnetic compatibility Part 6-2: Generic Standards – Immunity for industrial environments.
- BS EN 61010-1 (1993) including Amendment A2. Safety requirements for electrical equipment for measurement, control, and laboratory use. Part 1 General Requirements.



Warning — Risk of damage and/or personal injury

The Aries EPL drives described in this guide contain no user-serviceable parts. Attempting to open the case of any unit, or to replace any internal component, may result in damage to the unit and/or personal injury. This may also void the warranty.

Symbols	Description
	Protective Earth Ground
	Functional Earth (Ground) Terminal
	Shield, Frame, or Chassis Terminal
	Caution Risk of Electrical Shock
	Caution, Refer to Accompanying Documentation

Important User Information

It is important that motion control equipment is installed and operated in such a way that all applicable safety requirements are met. It is your responsibility as an installer to ensure that you identify the relevant safety standards and comply with them; failure to do so may result in damage to equipment and personal injury. In particular, you should study the contents of this user guide carefully before installing or operating the equipment.

The installation, set up, test, and maintenance procedures given in this user guide should only be carried out by competent personnel trained in the installation of electronic equipment. Such personnel should be aware of the potential electrical and mechanical hazards associated with mains-powered motion control equipment—please see the safety warnings below. The individual or group having overall responsibility for this equipment must ensure that operators are adequately trained.

Under no circumstances will the suppliers of the equipment be liable for any incidental, consequential or special damages of any kind whatsoever, including but not limited to lost profits arising from or in any way connected with the use of the equipment or this guide.



Warning — High-performance motion control equipment is capable of producing rapid movement and very high forces. Unexpected motion may occur especially during the development of controller programs. **KEEP WELL CLEAR** of any machinery driven by stepper or servo motors. Never touch any part of the equipment while it is in operation.

This product is sold as a motion control component to be installed in a complete system using good engineering practice. Care must be taken to ensure that the product is installed and used in a safe manner according to local safety laws and regulations. In particular, the product must be positioned such that no part is accessible while power may be applied.

This and other information from Parker Hannifin Corporation, its subsidiaries, and authorized distributors provides product or system options for further investigation by users having technical expertise. Before you select or use any product or system, it is important that you analyze all aspects of your application and review the information concerning the product in the current product catalog. The user, through its own analysis and testing, is solely responsible for making the final selection of the system and components and assuring that all performance, safety, and warning requirements of the application are met.

If the equipment is used in any manner that does not conform to the instructions given in this user guide, then the protection provided by the equipment may be impaired.

The information in this user guide, including any apparatus, methods, techniques, and concepts described herein, are the proprietary property of Parker Hannifin or its licensors, and may not be copied disclosed, or used for any purpose not expressly authorized by the owner thereof.

Since Parker Hannifin constantly strives to improve all of its products, we reserve the right to modify equipment and user guides without prior notice. No part of this user guide may be reproduced in any form without the prior consent of Parker Hannifin.

Change Summary

Revision B Changes

This document, 88-027024-01B, supercedes 88-027024-01A. Changes associated with Aries EPL User Guide revisions, and document clarifications and corrections are as follows:

Topic	Description
Electrical Installation	Corrected diode connection across motor cable in drawing in Connecting Motor without Full Wave Rectifiers .
Communications	Added “Yellow & 5 Green (flashing)” for Encoder Loss to Drive Status table.
Tuning	Corrected “perception” to “misperception” in Servo Response Overview section, Stability topic.
Troubleshooting	Added E28 to Error Codes table; added “Warning” to errors E10, E11, and E12 because they are not faults. Added “Yellow & 5 Green (flashing)” for Encoder Loss to Drive Status LEDs table.

CHAPTER ONE

Introduction

IN THIS CHAPTER

• Aries EPL Products—Overview	2
• Compatible Parker Products	3
• Checking Your Shipment	4
• Illustrations in this Installation Guide	5
• Assumptions of Technical Experience	5
• Technical Support	5

Aries EPL Products—Overview

The Aries EPL drives are a family of super-compact, super-efficient digital servo drives. Their maximum continuous shaft power ranges from 400 Watts to 1300 Watts. Ready for direct panel mounting, you can select the precise power level needed for your application.

Product Descriptions

Aries EPL Servo Drives

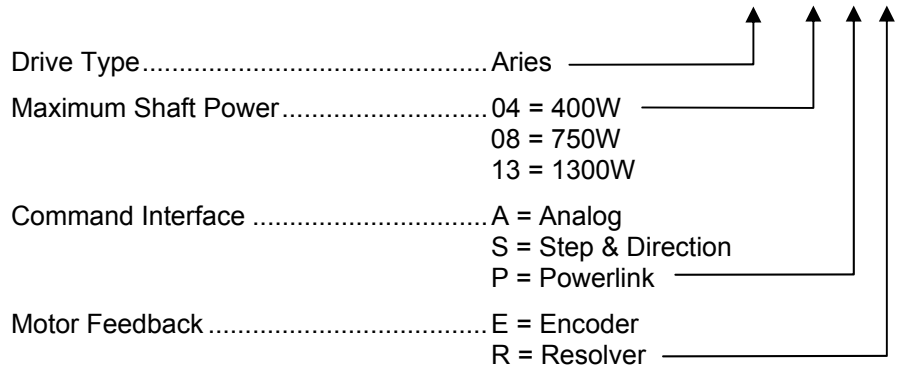
Aries EPL servo drives are digital servo drives intended to be used as a controlled node in an ETHERNET Powerlink (EPL) motion control application.

The drive closes position, velocity, and torque loops and receives its position setpoints from an external ETHERNET Powerlink controller referred to as a managing node. In addition to sending position setpoints, the managing node also configures the drives via the EPL network.

ACR-View is used to configure the EPL network including both the managing node (controller) and the controlled nodes (Aries EPL drives). Like other products in the Aries family, drive configuration is "plug and play" with Aries-compatible motors.

Aries EPL Names

The following diagram explains the Aries EPL part numbers AR – 01 P E



Input Power Level

Motor Power

AR-04PE, AR-08PE, AR-13PE 120/240 VAC single-phase mains motor power

Control Power

AR-04PE, AR-08PE, AR-13PE 120/240 VAC single-phase mains control power

Output Power Level

Servo Motor Drives

In Table 1, the maximum current is given at 120/240 VAC input, which equates to a motor bus voltage of 170/340 VDC.

Drive	Continuous Current (RMS)	Peak Current (RMS)	Continuous Shaft Output Power
AR-04PE	3A	9A	400W, 0.53 hp*
AR-08PE	4.50A	13.5A	750W, 1.0 hp*
AR-13PE	6.3A	14.07A	1300W, 1.75 hp*

* Maximum rating at 240 VAC, single-phase

Table 1 Output Power Level

Options

For the latest additions, see our website at www.parkermotion.com.

Compatible Parker Products

Servo EPL Controller ACR9030 & ACR9040 (AC & DC)

For information about cables, motors, and other motion-control-system components see “[Chapter 2 Mechanical Installation](#)”.

Checking Your Shipment

Inspect your shipment carefully. You should have received the corresponding ship kit along with your drive.

Ship Kit Items

The following items ship with the AR-04PE, AR-08PE, and AR-13PE drives.

Part	Part Number
Aries EPL Quick Reference Guide	88-027023-01
R-Clamp	52-019734-01
Screw (8-32 $\frac{3}{8}$ inch)	51-006055-01
Compact disc containing the following: <ul style="list-style-type: none">Aries EPL Hardware Installation Guide	88-027024-01

Table 2 Ship Kit Items

Motors

You may have ordered a motor from one of the following families of compatible Parker motors:

- BE Series
- LXR Series
- MPP Series
- SM Series
- SME Series
- SMN Series
- I Linear Series
- SL Linear Series
- T Linear Series
- K Frameless Series

Illustrations in this Installation Guide

Typically, the illustrations in this guide show the Aries AR-08PE, which is representative of all Aries EPL drive models. All models have the same external features and housing; although the height of the heatsink fins and power level differ.

Assumptions of Technical Experience

The Aries EPL drive is designed for industrial applications. To effectively install and troubleshoot the drive, you must have a fundamental understanding of the following:

- Motion control applications
- Electromechanical actuators
- Electrical concepts such as voltage, current, switches, etc.
- EPL Communication.

Technical Support

For solutions to your questions about implementing the drive, first refer to this manual. If you cannot find the answer in this documentation, contact your local Automation Technology Center (ATC) or distributor for assistance.

If you need to talk to our in-house Application Engineers, please contact us at the telephone numbers listed on page ii.

CHAPTER TWO

Mechanical Installation

IN THIS CHAPTER

• Environment & Drive Cooling	7
• Dimensions.....	11
• Weight	12
• Mounting Guidelines	12

Environment & Drive Cooling

The Aries EPL drive operates in an ambient temperature range of 0°C (32°F) to 50°C (120°F) ambient air temperature. The drive can tolerate atmospheric pollution degree 2. Only dry, non-conductive pollution is acceptable. Therefore, it is recommended that the drive be mounted in a suitable enclosure.

For drive cooling, you must install the drive so that the heatsink fins are vertical. Figure 4 on page 13 shows the mounting orientation, as well as the minimum top, bottom, and side installation clearances.

Notes

- Avoid installing heat-producing equipment directly below a drive.
- Make sure the ambient air temperature entering the drive or rising up to the drive is within acceptable ambient temperature limits. Under normal use, the temperature of air leaving the drive and heatsink may be 25°C (45°F) above ambient temperature.
- After installation, verify that the ambient air temperature directly below the top-most drive does not exceed the maximum Ambient Air Operating Temperature shown below. In addition, make sure that nothing obstructs the circulating airflow.

	Environmental Specifications	
Operating Temperature, Ambient Air	Maximum	50°C (120°F)
	Minimum	0°C (32°F)
Storage Temperature	-40°C to 85°C (-40°F to 185°F)	
Humidity	0 to 95%, non-condensing	
Shock:	15g, 11 ms half-sine	
Vibration	10 to 2000 Hz at 2g	
Pollution Degree	2 (per IEC 61010)	
Installation Category	2 (per IEC 61010)	

Table 3 Environmental Specifications

Cabinet Cooling

Use the cabinet loss and power dissipation values in this section along with the formula in “Cabinet Cooling Calculations” on page 10 to calculate cabinet cooling for your installation. The figures on the following pages show the cabinet losses for the various drive models. The tables that follow provide the power dissipation per drive.

AR-04PE Model

The following values have been measured using the Parker BE344J motor.

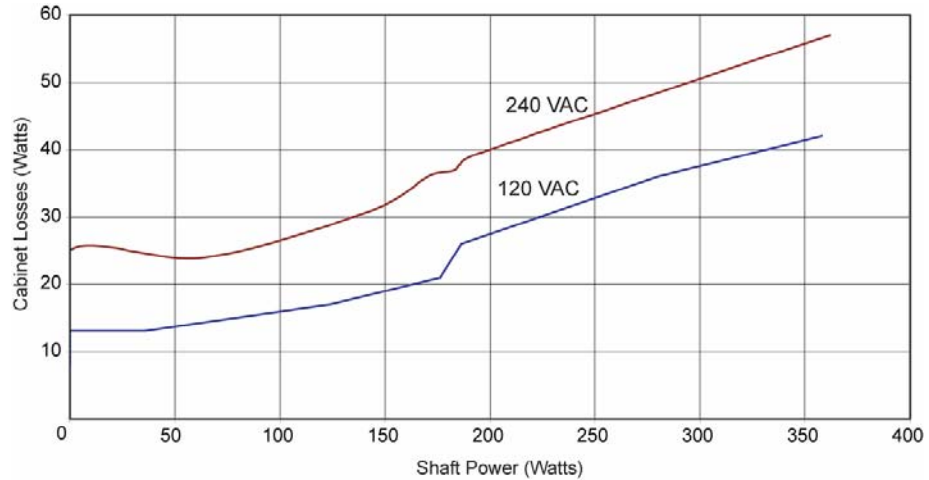


Figure 1 Cabinet Losses: 400 Watt Model Connected to a Parker BE344J Motor

Voltage	Shaft Power		
	0W*	200W	350W
120 VAC	13W	28W	42W
240 VAC	25W	40W	57W

* Drive enabled, zero torque.

Table 4 Power Dissipation for 400 Watt Model

AR-08PE Model

The following values have been measured using the Parker BE343J motor.

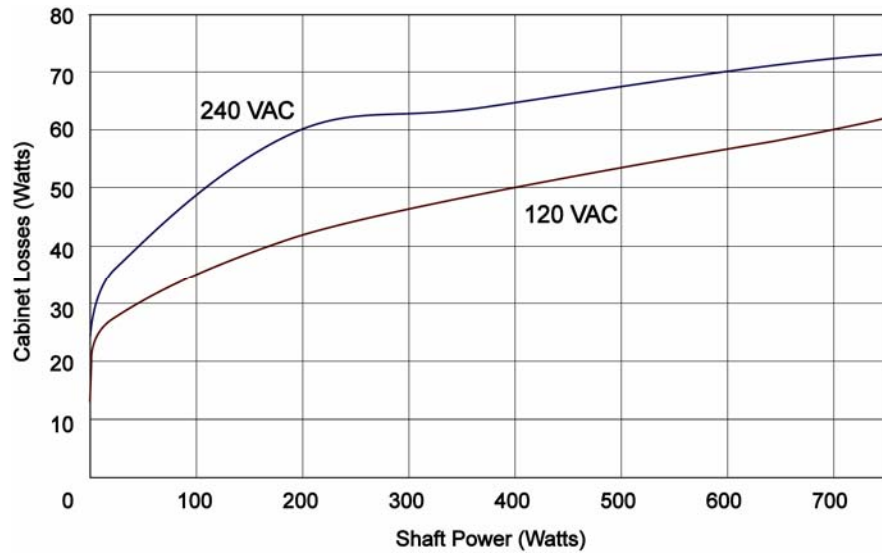


Figure 2 Cabinet Losses: 750 Watt Model Connected to a Parker BE343J Motor

Voltage	Shaft Power		
	0W*	200W	700W
120 VAC	13W	42W	60W
240 VAC	24W	60W	73W

* Drive enabled, zero torque.

Table 5 Power Dissipation for 750 Watt Model

AR-13PE Model

The following values have been measured using the Parker MPM1421CSJXXXN motor.

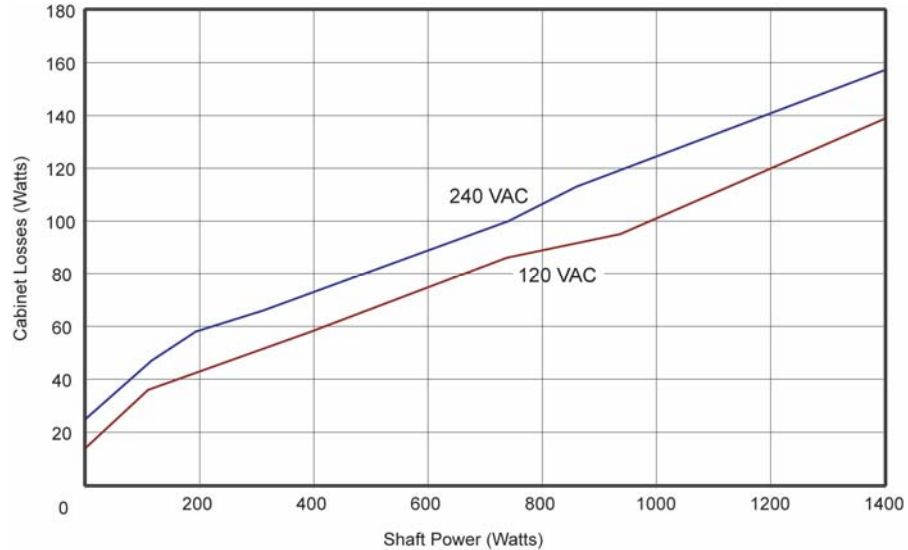


Figure 3 Cabinet Losses: 1300 Watt Model Connected to a Parker MPM1421CSJ Motor

Voltage	Shaft Power		
	0W*	700W	1300W
120 VAC	14W	82W	130W
240 VAC	25W	95W	146W

* Drive enabled, zero torque.

Table 6 Power Dissipation for 1300 Watt Model

Cabinet Cooling Calculations

Use the motor's speed torque curve to determine the torque when the motor is at running speed for your application. If the torque is not known, use the "knee" (where the peak-torque curve intersects the continuous-torque curve) of the graphed motion—this assumes the worst-case scenario for continuous motion.

$$P_{LOSS} = \frac{P_{MOTOR}}{E_{MOTOR}} * (1 - E_{DRIVE})$$

P_{LOSS} = power dissipated to cabinet (Watts)

P_{MOTOR} = shaft power of the motor (Watts)

E_{MOTOR} = efficiency of motor (Percent), approximately 0.85

E_{DRIVE} = efficiency of drive (Percent), approximately 0.90

Dimensions

There is one basic housing size, although the height of the heatsink fins varies with each model. This section contains the dimensions of all models.

Drive Dimensions

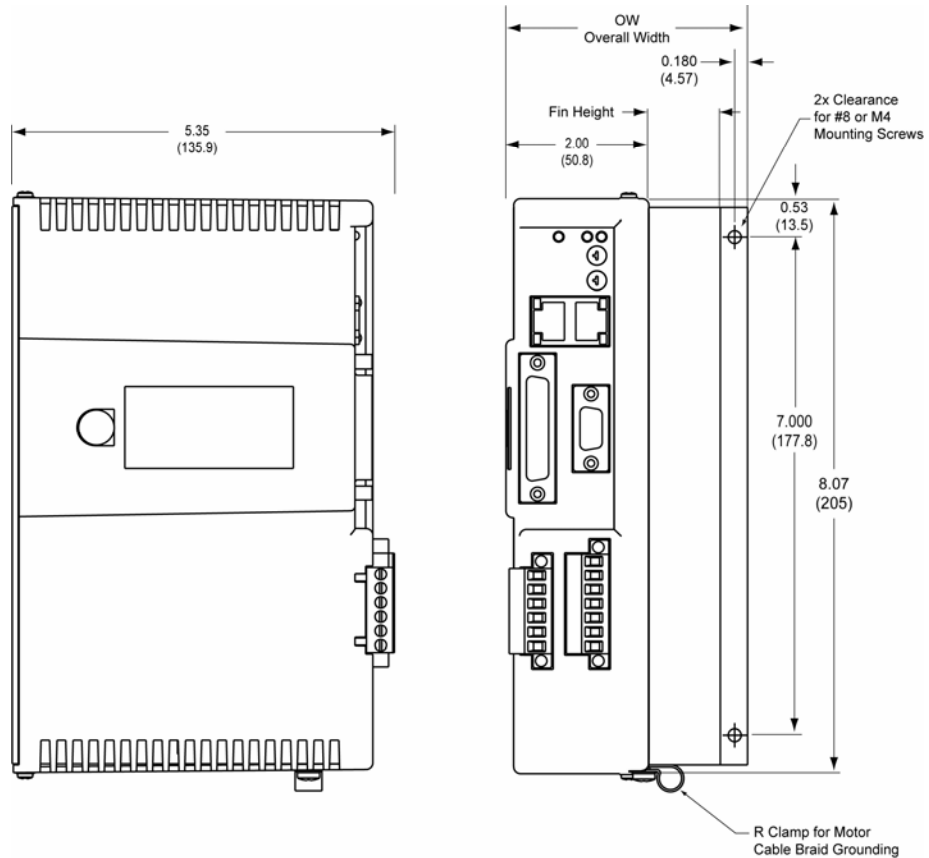


Figure 4 Drive Mounting for All Models

Drive	Fin Height in (mm)	Overall Width (OW) in (mm)	Overall Depth with Cables in (mm)
AR-04PE	0.625 (15.9)	3.01 (78.3)	7.90 (200.7)
AR-08PE	1.00 (25.4)	3.38 (85.9)	7.90 (200.7)
AR-13PE	2.00 (50.8)	4.38 (111.3)	7.90 (200.7)

Table 7 Drive Dimensions

Weight

Use Table 8 to determine the weight of your drive.

Drive	Weight <i>pounds (kg)</i>
AR-04PE	2.9 (1.32)
AR-08PE	3.3 (1.50)
AR-13PE	4.2 (1.91)

Table 8 Drive Weights

Mounting Guidelines

The Aries EPL drive is a vented product. To prevent material spilling into the drive, mount it under an overhang or in a suitable enclosure.

Aries products are made available under “Restricted Distribution” for use in the “Second Environment” as described in the publication EN 61800-3: 1996.

Cable Routing

Route high power cables (motor and mains) at right angles to low power cables (communications and inputs/outputs). Never route high and low power cables parallel to each other.

Panel Mounting

The mounting clearance requirements are the same for all models of the Aries EPL drive. The minimum clearance between drives is 0.62 inches (15.75 mm). The minimum clearance above and below a drive is 1 inch (25.4 mm). Figure 5 on page 13 demonstrates these clearance requirements.

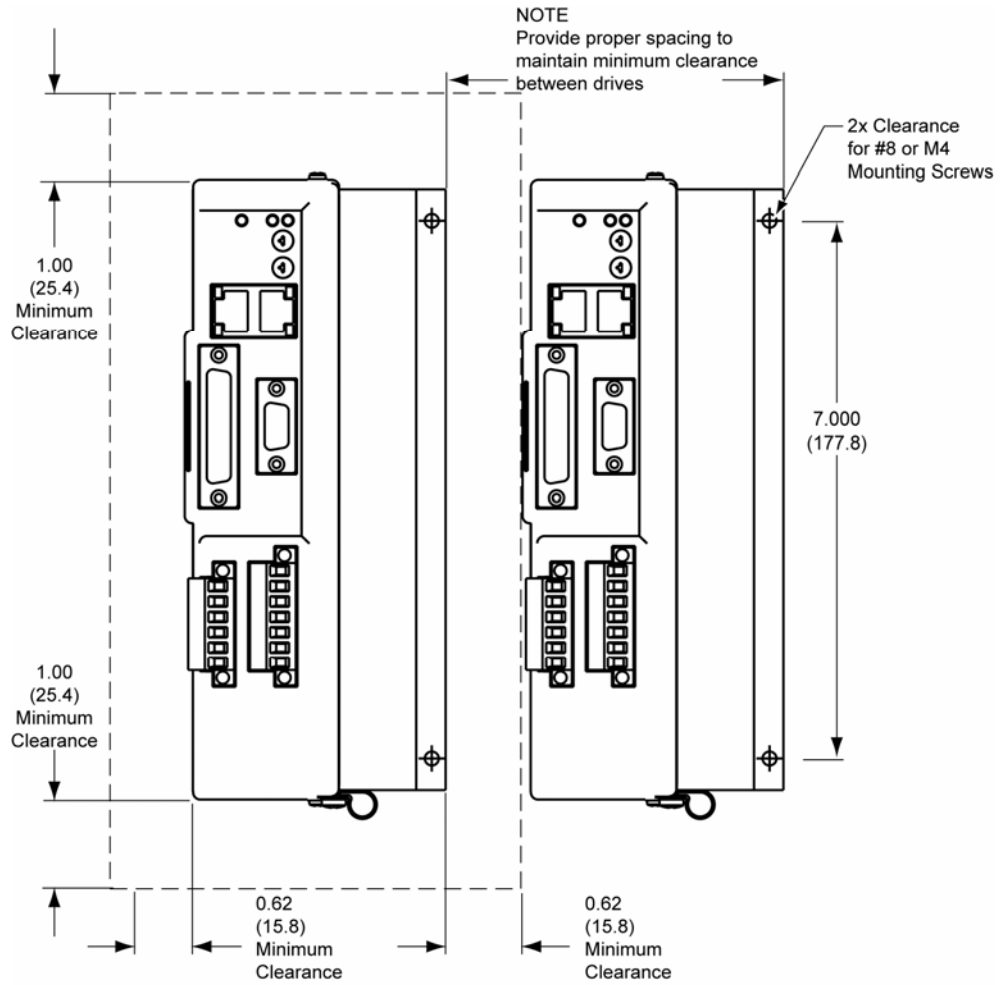


Figure 5 Panel Layout Dimensions for All Models

CHAPTER THREE

Electrical Installation

IN THIS CHAPTER

• Installation Safety Requirements	15
• System Installation Overview	16
• Power Supply	17
• Multiple Drive Installations	26
• Brake Relay (Optional).....	27
• Regeneration Protection	31
• Connector Descriptions.....	33

Installation Safety Requirements

Aries EPL drives meet the requirements of both the European LVD (Low Voltage Directive) and EMC (Electromagnetic Compliance) directives when installed according to the instructions given within “Appendix C Regulatory Compliance—UL and CE.”

As a rule, it is recommended that you install the drive in an enclosure to protect it from atmospheric contaminants and to prevent operator access while power is applied. Metal equipment cabinets are ideally suited for housing the equipment because they provide operator protection, EMC screening, and can be fitted with interlocks arranged to remove all hazardous motor and drive power when the cabinet door is opened.

Do not arrange the interlocks to open circuit the motor phase connections while the system is still powered as this could damage the drive.

Precautions

During installation, take the normal precautions against damage caused by electrostatic discharges.

- Wear earth wrist straps.
- Include a mains power switch or circuit breaker within easy reach of the machine operator. Label, clearly, the switch or breaker as the disconnecting device.

Auto-Configuration for Encoders

The drive recognizes “smart encoders” attached to Parker motors. You can apply power to the drive, and the drive reads all necessary motor parameters from the motor. The drive and motor are then ready to use.

If a drive is swapped out for any reason, you can insert a replacement—the replacement drive automatically reads the motor parameters.

System Installation Overview

The figures in this section illustrate the components and configuration necessary for electrical installation of all models of the drive.

Installing an Aries EPL drive a motion control system requires an ACR9000 EPL series controller, a compatible motor (listed on page 4), and access to a computer system.

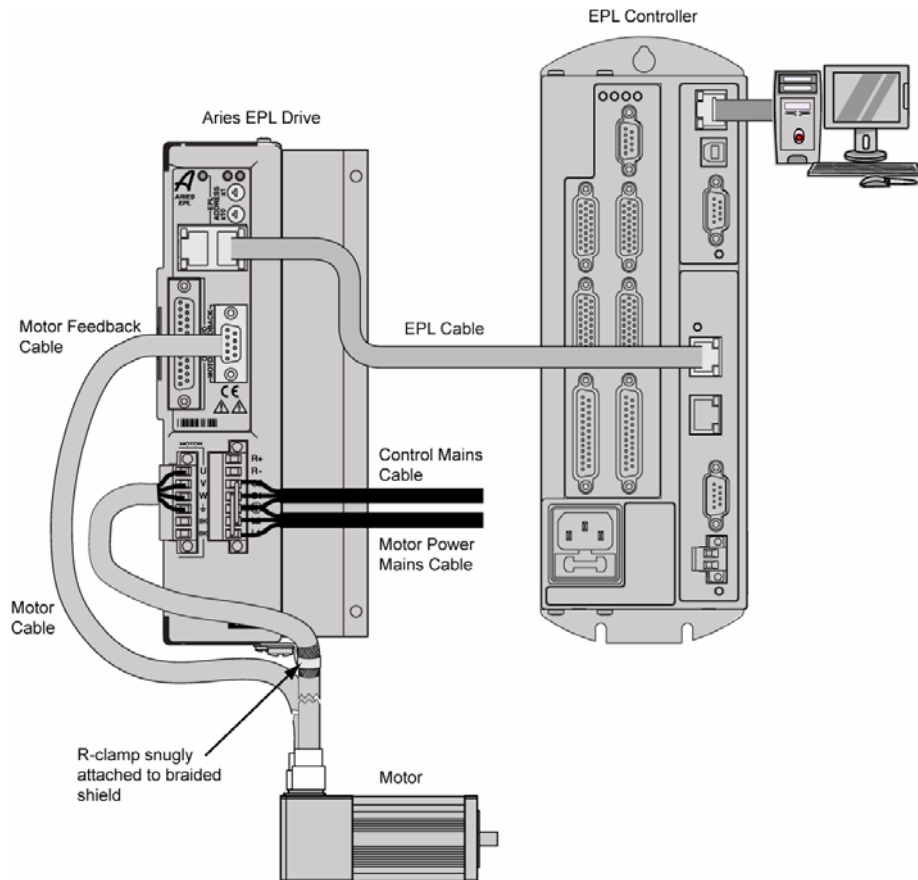


Figure 6 System Installation overview



Warning — This product has been developed for industrial environments. Due to exposed high voltage terminals, this product must not be accessible to users while under normal operation.

Important — An R-clamp must be connected to the drive and snugly attached to the exposed braided shield of the motor cable in order to control electrical noise.

Connector Locations

All drive models have identical connectors. Connector specifications are in the section “Connector Descriptions” and also “Appendix A Additional Specifications.” Figure 7 shows the name and location of the connectors.

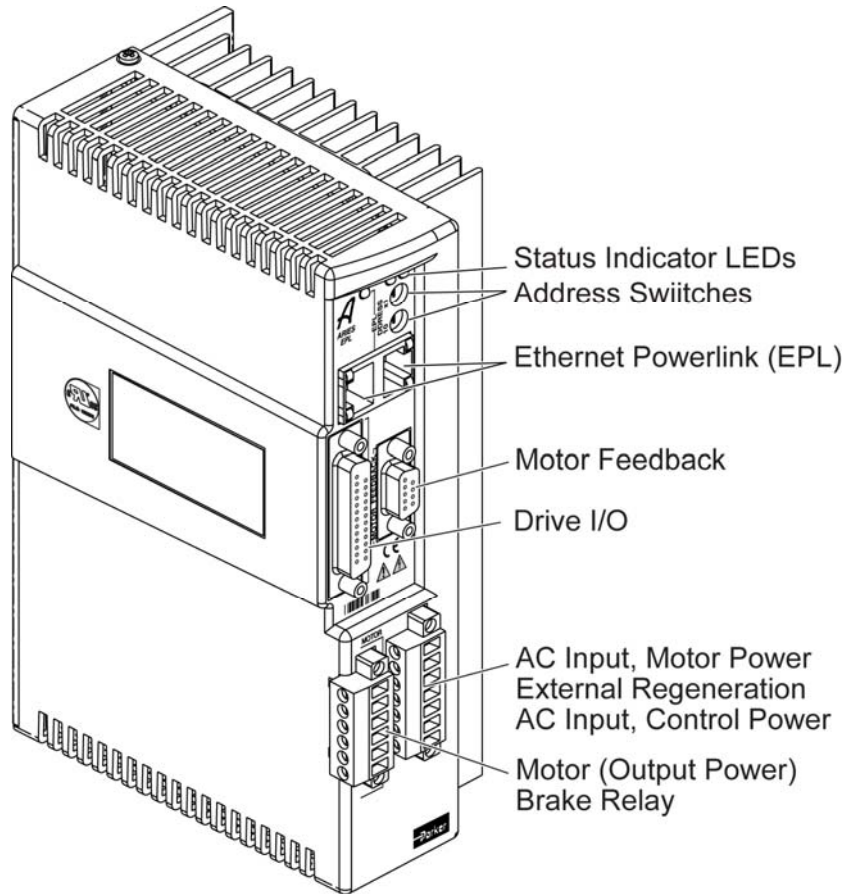


Figure 7 Connector Locations

Factory Installed Jumpers

The drive comes with external jumpers installed in the Control power connector from C1 to L1 and C2 to L2. With these jumpers installed, apply power to the Motor power mains *only*. To operate the drive with separate Control and Motor AC power input, remove the jumpers. Figure 8 shows the location of the factory installed jumpers.

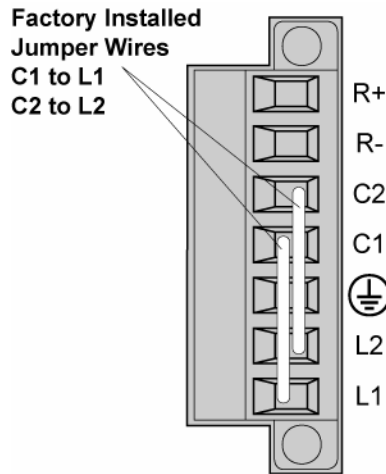


Figure 8 Factory Installed Jumpers on Control Power Connector

Power Supply

Input Power

The mains Motor power supply and Control power supply for the drive must meet the following requirements.

Model	Requirements
Motor Input Power	
AR-04PE, AR-08PE, & AR-13PE (L1, L2)	120/240 VAC, 50/60 Hz, single phase
Control Input Power	
All models (C1, C2)	120/240 VAC, single phase

Table 9 Input Power Requirements

Mains/Input Power Connector

Connector Type.....	Removable screw terminal
Terminals	7
Pitch	0.200 in (5.08 mm)
Wire Range	12-26 AWG
.....	14-27 SWG
.....	(0.12-3.30 mm ²)
Wire Strip length ..	0.31 in (7.87 mm)
Torque.....	7.0 in-lbs nom. (0.79 N-m)

Motor Power Supply Connection

Figure 9 shows how to connect the external 120/240 VAC motor power source to the terminal connector installed in the drive.

For the Protective Earth ground, make the connection directly by means of a low-impedance path less than or equal to 0.1 ohm (no fuses, etc.). Under normal operation, no current should flow through the Protective Earth connection.

Single AC Power Source

A single mains AC power connection can be used to supply both Motor and Control input power when two phases of the Motor input power are jumpered to the Control input power (C1 and C2). Jumpers are installed at the factory for this purpose. Remove the jumpers to apply separate Control and Motor mains AC power input.

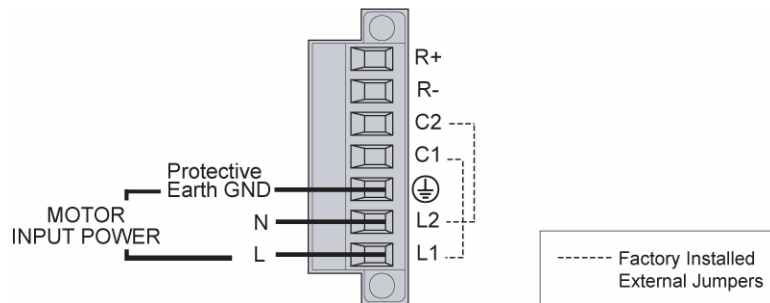


Figure 9 Motor and Control Power Supply Connection, Single Source

Separate AC Power Sources

Figure 10 shows how to connect separate external Motor and Control AC power sources to the terminal connector installed in the drive. Additional information on Control power follows in “Control Power Supply” on page 22.

Note: You must remove the factory installed jumper wires to use separate power sources. For more information on the jumpers, see the previous section.

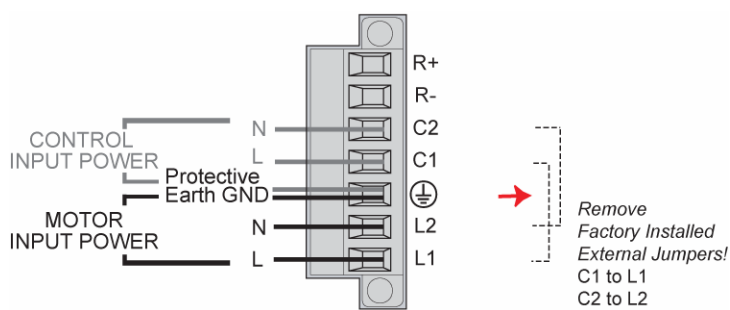



Figure 10 Motor and Control Power Supply Connection, Separate Sources



Warning — You must connect the drive’s protective conductor terminal, marked with the earth symbol , to a reliable system Protective Earth.



Warning — The drive’s connector strip terminals have hazardous voltages when power is applied to the drive, *and up to several minutes after power is removed*. Lower voltages may still be present for several minutes after power is removed. During normal operation, these high voltage terminals must not be accessible to the user.

Motor Power Fuse Information

Aries EPL drives have no user-serviceable internal fuses. For safety, you must provide a fuse in each of the AC Mains Motor power input lines. To determine the proper fuse type and size for your application, see Table 10. (For fuse recommendations for Control Power input lines, see “[Control Power Supply](#)” on page 22.)

Drive	AC Voltage	Fuse Style	Rating	Fuse Type
	240 VAC	250 VAC Time Delay	10A	RK5 or better
AR-04PE	120 VAC	125 VAC Time Delay	20A	RK5 or better
	240 VAC	250 VAC Time Delay	20A	RK5 or better
AR-08PE	120 VAC	125 VAC Time Delay	20A	RK5 or better
	240 VAC	250 VAC Time Delay	20A	RK5 or better
AR-13PE	120 VAC	125 VAC Time Delay	30A	RK5 or better
	240 VAC	250 VAC Time Delay	30A	RK5 or better

Table 10 Motor Power Fuse Information

Table 11 lists part numbers (at time of publication) for suitable fuses from several manufacturers. These fuses are type RK5 (time delay fuses).

Amps	Bussmann	Ferraz Shawmut (formerly Gould)	Littelfuse
10	FRN-R-10	TR10R	FLNR10
20	FRN-R-20	TR20R	FLNR20
30	FRN-R-30	TR30R	FLNR30
40	FRN-R-40	TR40R	FLNR40

Table 11 Fuse Part Numbers

Drive Inrush Current

The drive inrush current is limited by an internal thermistor that changes value with the ambient temperature. Drive inrush current is therefore dependent upon the temperature of the surrounding environment (T_{amb}). To determine the drive inrush current for your drive, see Table 12.

Drive Type	AC Voltage	Drive Inrush (25°C T_{amb})	Drive Inrush (50°C T_{amb})
	240 VAC	68A	146A
AR-04PE	120 VAC	17A	36A
	240 VAC	34A	73A
AR-08PE	120 VAC	17A	36A
	240 VAC	34A	73A
AR13PE	120 VAC	17A	36A
	240 VAC	34A	73A

Table 12 Drive Motor Power Inrush Current

Control Power Supply

With mains power applied to the Control power terminals C1 and C2, the drive's internal control board remains powered when the primary motor AC power source (L1, L2 (L3)) is disconnected. When operated in this configuration, the Control power input performs a "keep-alive" function. The keep-alive circuit maintains several important functions while removing power from the motor output connection. These functions include the following:

- Communications
- Diagnostics
- Motor position feedback
- Brake relay in brake mode
- Drive I/O signals

Control Power Connector

AR-04PE, AR-08PE, & AR-13PE

Connector Type.....	Removable screw terminal
Terminals	7
Pitch	0.200 in (5.08 mm)
Wire Range	12-26 AWG
.....	14-27 SWG
.....	(0.12-3.30 mm ²)
Wire Strip length ..	0.31 in (7.87 mm)
Torque.....	7.0 in-lbs nom. (0.79 N-m)

Control Power Connection

The Control power connection can be made in one of two ways: (1) with an AC mains power source that is shared with the Motor power, or, (2) with a separate mains power source. The Control power supply for all Aries EPL drive models must be 120/240 VAC, single phase.

Figure 11 shows how to connect a unique AC mains power source—separate from the Motor power source—to the Control connector installed in the drive. See Figure 9 on page 19 for making a shared connection.

You *must remove the factory installed jumpers* to apply a separate Control power input. (The jumpers are installed for the purpose of using a single AC power source for both Motor and Control input power.) For more information on the jumpers, see the section “Factory Installed Jumpers” on page 18.

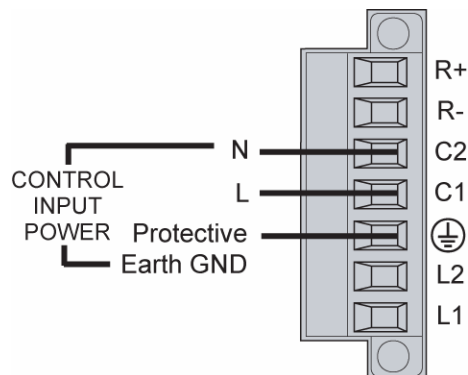



Figure 11 Control Input Power Connection



Warning — You must connect the drive’s protective conductor terminal, marked with the earth symbol , to a reliable system Protective Earth.



Warning — The drive’s connector strip terminals have hazardous voltages when power is applied to the drive, *and up to several minutes after power is removed*. Lower voltages may still be present for several minutes after power is removed. During normal operation, these high voltage terminals must not be accessible to the user.

Fuse Information

Fuse Rating.....	1 Amp
Fuse Type	Class CC (Bussmann KTK-R-1 or equivalent UL listed fuse)
Input Voltage Range	120/240 VAC, 50/60 Hz
Input Current	0.2 Amps RMS
Control Power Functions.....	Communications Diagnostics Motor position feedback Brake relay in brake mode Drive I/O signals

Output Power

Table 13 contains the continuous and peak output power ratings for all Aries EPL drive models.

Drive	Continuous Output		Peak Output	
	Current (Amps, RMS)	Shaft Power* (Watts, max)	Current (Amps, RMS)	Shaft Power (Watts, max)
AR-04PE	3.0	400	9.0	1200
AR-08PE	4.5	750	13.5	2250
AR-13PE	6.3	1300	14.1	3900

* Maximum shaft power rating at 240 VAC

Table 13 Output Power, Continuous and Peak

Motor Connector

AR-04PE, AR-08PE, & AR-13PE

Connector Type.....	Removable screw terminal
Terminals	6
Pitch	0.200 in (5.08 mm)
Wire range	12-26 AWG
.....	14-27 SWG
.....	(0.12-3.30 mm ²)
Wire strip length.....	0.310 in (8 mm)
Torque....	7.0 in-lbs nom. (0.79 N-m)

Output Power Connection

Figure 12 shows how to connect the motor cable to the screw terminal connector installed in the drive. Current Parker motor cables are marked with white numbers (1,2, or 3) to indicate the phase. Connect Motor Phase 1 to U, 2 to V, and 3 to W, and Motor Safety Earth to the Protective Earth ground connector.

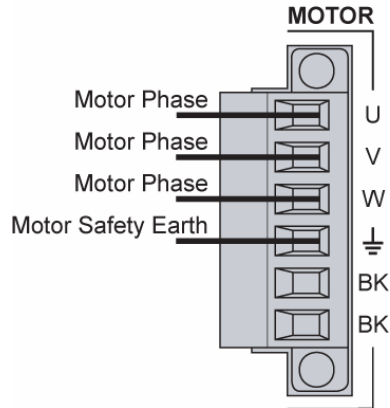


Figure 12 Output Power Connection

Table 14 contains wiring information for making connections with various Parker Hannifin motors.

Phase	Hi-Flex/ PS/ Gemini	Legacy Parker Hannifin	Legacy MaxPlus
U	1	Red/Yellow	Red
V	2	White/Yellow	Black
W	3	Black/Yellow	Blue
\perp	Green/Yellow	Green/Yellow	Green

Table 14 Wiring to Parker Motors



Warning — You must connect the Motor Safety Earth conductor terminal, marked with the earth symbol \perp , to the motor cable's motor-safety-earth wire (green/yellow).



Warning — The drive's connector strip terminals have hazardous voltages when power is applied to the drive, and up to several minutes after power is removed. Lower voltages may still be present for several minutes after power is removed. During normal operation, these high voltage terminals must not be accessible to the user.

Multiple Drive Installations

In a typical cabinet installation, a single mains line connects to a terminal bus inside the cabinet. Then from the terminal bus, make individual connections for Mains and Control power to the corresponding connector(s) on *each drive*. Be sure to install fuses for each drive between the terminal bus and the drive.

Tie each drive's Protective Earth (⊕) conductor terminal directly to the system safety earth location as shown in Figure 13. Under normal operation, no current should flow through the Protective Earth ground.

Safety Earth Connection

For multiple drive installations, Parker Hannifin recommends a single point or "star" safety earth configuration. Figure 13 represents a typical star safety earth connection .

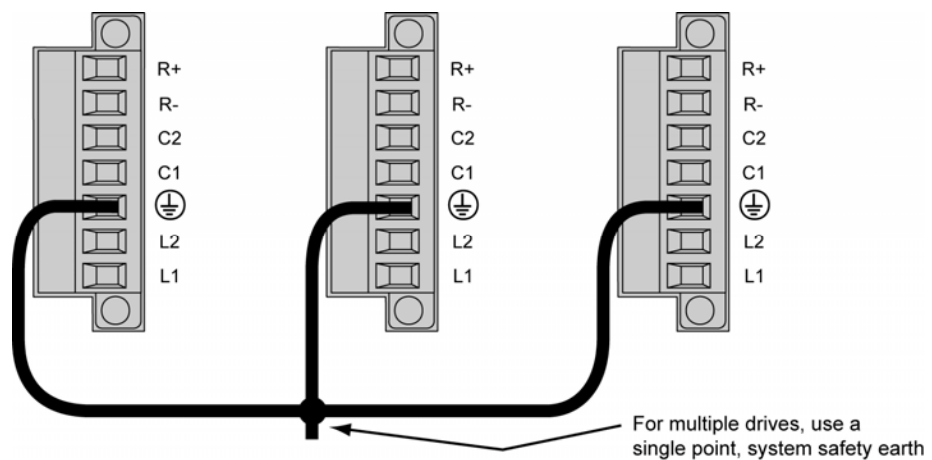


Figure 13 Multiple Drives Safety Earth Connection

Brake Relay (Optional)

The Brake Relay connection provides a safety feature for your motion control system, particularly for vertical applications. The drive acts as a control switch for the motor brake (if a brake is present). When 24V is applied from an outside power supply through the drive's BK terminals, the motor brake is disabled. When the power supply is interrupted, or the drive faults or is disabled, the brake is enabled and stops shaft rotation. Break Relay connector and wiring information follow in this section.

Brake Relay Connector

AR-04PE, AR-08PE, & AR-13PE

Connector Type.....	Removable screw terminal
Terminals	6
Pitch	0.200 in (5.08 mm)
Wire range	12-26 AWG
.....	14-27 SWG
.....	(0.12-3.30 mm ²)
Wire strip length	0.310 in (8 mm)
Torque....	7.0 in-lbs nom. (0.79 N-m)

Brake Relay Connection

On all models, the two BK terminals are optically isolated from the drive's internal logic.

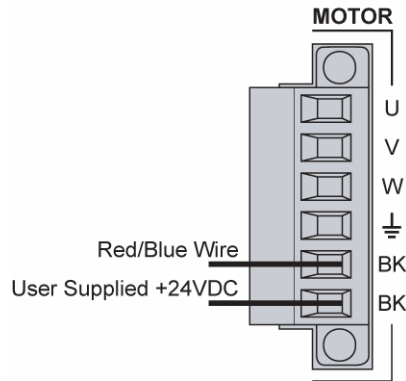


Figure 14 Typical Brake Relay Connection



Warning — You must connect the drive's protective conductor terminal, marked with the earth symbol (⏏), to a reliable system Protective Earth.

Note: See additional warning on the next page.



Warning — The drive's connector strip terminals have hazardous voltages when power is applied to the drive, and up to several minutes after power is removed. Lower voltages may still be present for several minutes after power is removed. During normal operation, these high voltage terminals must not be accessible to the user.

Connecting Motor with Full Wave Rectifiers

Some Parker brake motors (BE, SM, SE, NeoMetric, and J series motors, serial numbers greater than 010904xxxxx) contain full wave rectifiers, so connection polarity is not an issue during installation.

1. Connect one red/blue brake wire (Parker Motor cable or equivalent) to one BK terminal.
2. Connect the second red/blue brake wire (Parker Motor cable or equivalent) to the 24V return on your power supply.
3. Connect the +24 VDC power supply to the second BK terminal.

Figure 15 shows a typical application.

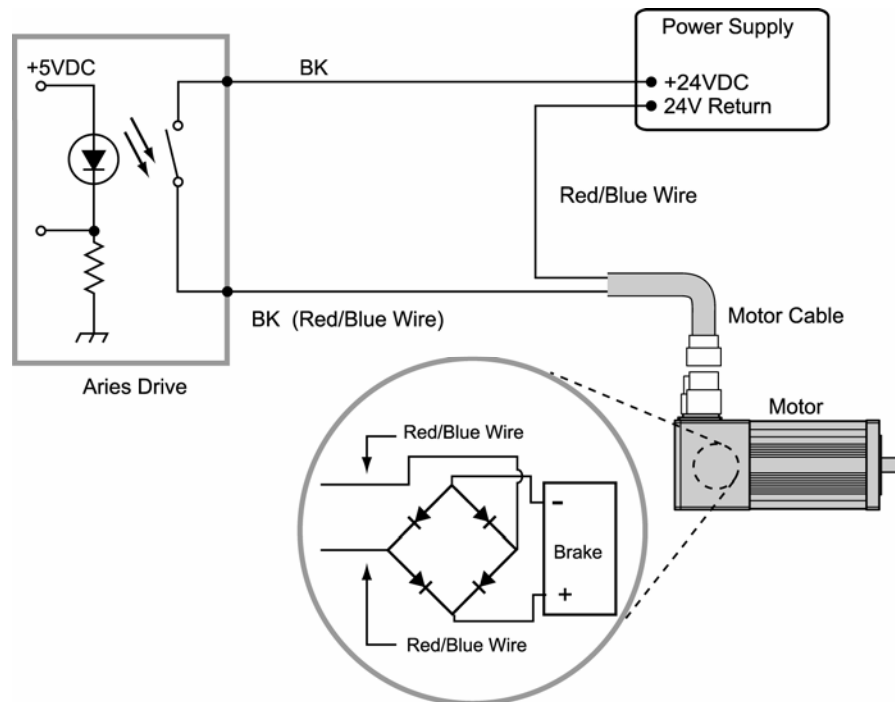


Figure 15 Brake Relay Connection for Motor with Full Wave Rectifiers

Connecting Motor without Full Wave Rectifiers

When using Parker MaxPlus motors, Parker motors with serial numbers less than 010904xxxxx, or non-Parker motors, you must install a fly-back diode. Consult the specifications or the manufacturer of your motor.

1. Connect one red/blue brake wire (Parker Motor cable or equivalent) to one BK terminal (located on the Motor connector).
2. Connect the second red/blue brake wire (Parker Motor cable or equivalent) to the 24V return on your power supply.
3. Between the two red/blue wires, connect the fly-back diode. See Figure 16.
4. Connect the +24 VDC power supply to the second BK terminal.

Figure 16 shows a typical installation.

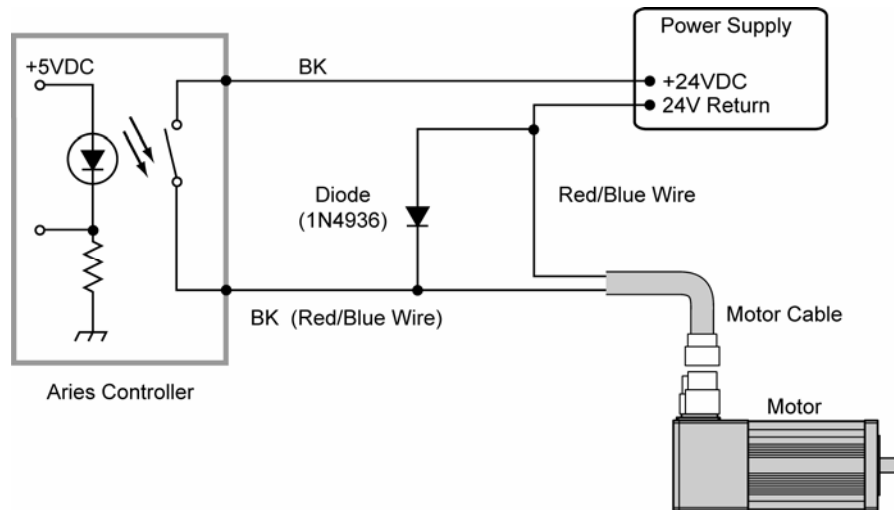


Figure 16 Brake Relay Connection for Motor without Full Wave Rectifiers

Relay Information

Operation

Drive Condition	Relay State
Enabled	Closed (conducting)
Faulted	Open
No AC power on L1 and L2* or drive not enabled	Open
* Mains Control power on C1 and C2 does not affect the relay. With mains power applied to C1 and C2, the relay remains open if AC power is <i>not</i> applied to the L1 and L2 terminals.	

Table 15 Brake Relay Operation

Specifications

Relay Type Solid State Relay
Normally open

Relay Maximum Rating 1 Amp at 24 VDC



Warning — Do not exceed the ratings of the brake relay. If required, control a suitable external relay with this relay to meet your power requirements.

Regeneration Protection

Drive models AR-04PE, AR-08PE, and AR-13PE do not have internal regeneration (power dump/dissipation) resistors; however, they can utilize an external regeneration resistor. For information on selecting a suitable external regeneration resistor, see “Appendix B External Power-Dump Resistor Selection.”

Regeneration Connection

To use a external regeneration (power dump) resistor, connect your external resistor to the R+ and R- terminals located on the Control power connector.

Figure 17 illustrates the external regeneration resistor connections.

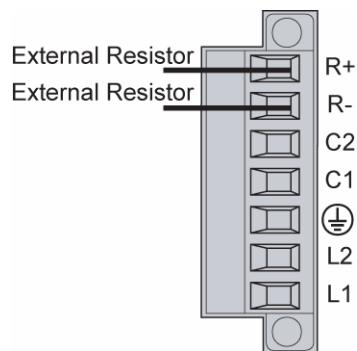


Figure 17 External Regeneration Connection



Warning — The drive’s connector strip terminals are at hazardous voltages when power is applied to the drive, and up to several minutes after power is removed. Lower voltages may still be present for several minutes after power is removed.

During normal operation, these high voltage terminals must not be accessible to the user.

Internal Regeneration Capability

The drive may experience an over-voltage fault if the regeneration exceeds the absorbent capacity of the drive's internal bus capacitors, as shown in Table 16.

Regeneration Absorption

The available absorption varies, based on mains voltage and the drive's internal capacitance. The various drives can absorb the following amounts of regenerated energy in its internal capacitors.

Drive	Absorbs (Joules) 120 VAC	Absorbs (Joules) 240 VAC
AR-04PE	57	19
AR-08PE	72	24
AR-13PE	104	35

Table 16 Regeneration Absorption

For more specifications about energy absorption by the drive's capacitors, see Table 39 on page 91.

For more information about selecting an external power-dump resistor, see "Appendix B External Power-Dump Resistor Selection".

Connector Descriptions

Mains/Input Power Connector

The drive's mains screw terminal connector provides a connection for AC mains power to the drive. (For connection information, see "Input Power" on page 18.) Specifications for the connectors follow in this section. Figure 18 shows the connector for all models.

On models AR-04PE through AR-13PE, the Mains/Input power connector provides terminals L1, L2, and \oplus for connecting motor mains power. It also serves to connect Control power through terminals C1 and C2, and a power dissipation resistor on terminals R+ and R-. The connector is removable.

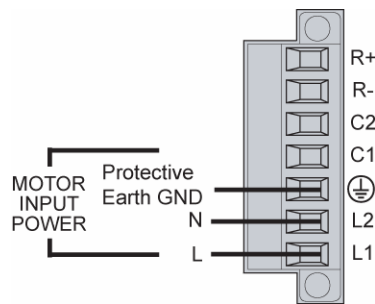


Figure 18 Mains/Input Power Connector

Mains/Input Power Connector

AR-04PE, AR-08PE, & AR-13PE	Amphenol PCD: ELFA13210E
Parker Hannifin Part Number.....	43-021069-01
Connector Type.....	Removable screw terminal
	Terminals7
	Pitch 0.200 in (5.08 mm)
	Wire Range 12-26 AWG
 14-27 SWG
(0.12-3.30 mm ²)
	Wire Strip length .. 0.31 in (7.87 mm)
	Torque....7.0 in-lbs nom. (0.79 N-m)

Output Power Connector

The drive's Motor screw terminal connector provides output power to the motor. (For connection information see "Output Power Connection" on page 25). Specifications for the connectors follow in this section.

The drive's Motor connector provides terminals U, V, W and \perp for connecting output power to the motor. It also serves to connect an external motor brake to the drive's internal solid-state relay on the two BK terminals. This connector is removable.

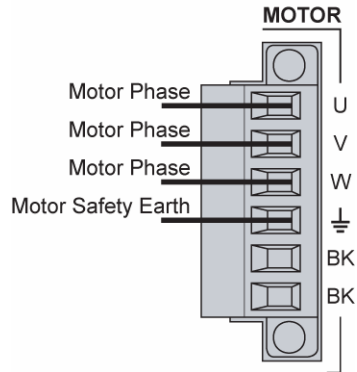


Figure 19 Output (Motor) Power Connector

Motor Connector

AR-04PE, AR-08PE, AR-13PE Amphenol PCD: ELFA13210E

Parker Hannifin Part Number..... 43-021068-01

Connector Type..... Removable screw terminal

Terminals 6

Pitch 0.200 in (5.08 mm)

Wire range 12-26 AWG

..... 14-27 SWG

..... (0.12-3.30 mm²)

Wire strip length 0.310 in (8 mm)

Torque.... 7.0 in-lbs nom. (0.79 N-m)

Motor Feedback Connector

Inputs for the encoder feedback, motor thermal switch, and hall effects are located on the 15-pin Motor Feedback connector.

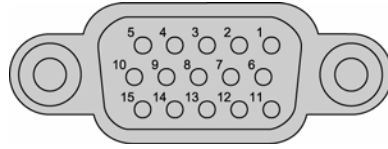


Figure 20 Motor Feedback Connector, Female



Important — Encoder inputs use a DS26LV32 differential line receiver. Parker Hannifin recommends 26LS31 (or compatible) differential line driven encoders. Single-ended encoders are *not* compatible with the drive.

Pinout—Motor Feedback Connector

Note: A box surrounding pins indicates a requirement for twisted pair wiring.

Signal	Pin	Description
ENC Z+ / DATA+	1	Encoder Z Channel in
ENC Z- / Data-	2	Encoder Z Channel in
DGND	3	Encoder power return
+5 VDC	4	+5 VDC Encoder power
+5 VDC	5	+5 VDC Hall power
DGND	6	Hall power return
ENC A- / SIN-	7	Encoder A Channel in
ENC A+ / SIN+	8	Encoder A Channel in
Hall 1 / SCLK+ *	9	Hall 1 input
Thermal+	10	Motor thermal switch/thermistor
Thermal-	15	Motor thermal switch/thermistor
ENC B- / COS-	11	Encoder B Channel in
ENC B+ / COS+	12	Encoder B Channel in
Hall 2 / SCLK- *	13	Hall 2 input
Hall 3	14	Hall 3 input

* When using the SinCos protocol, pins 9 and 13 require twisted pair wiring.

Table 17 Motor Feedback Connector Pinout

Motor Feedback Connector Internal Connections

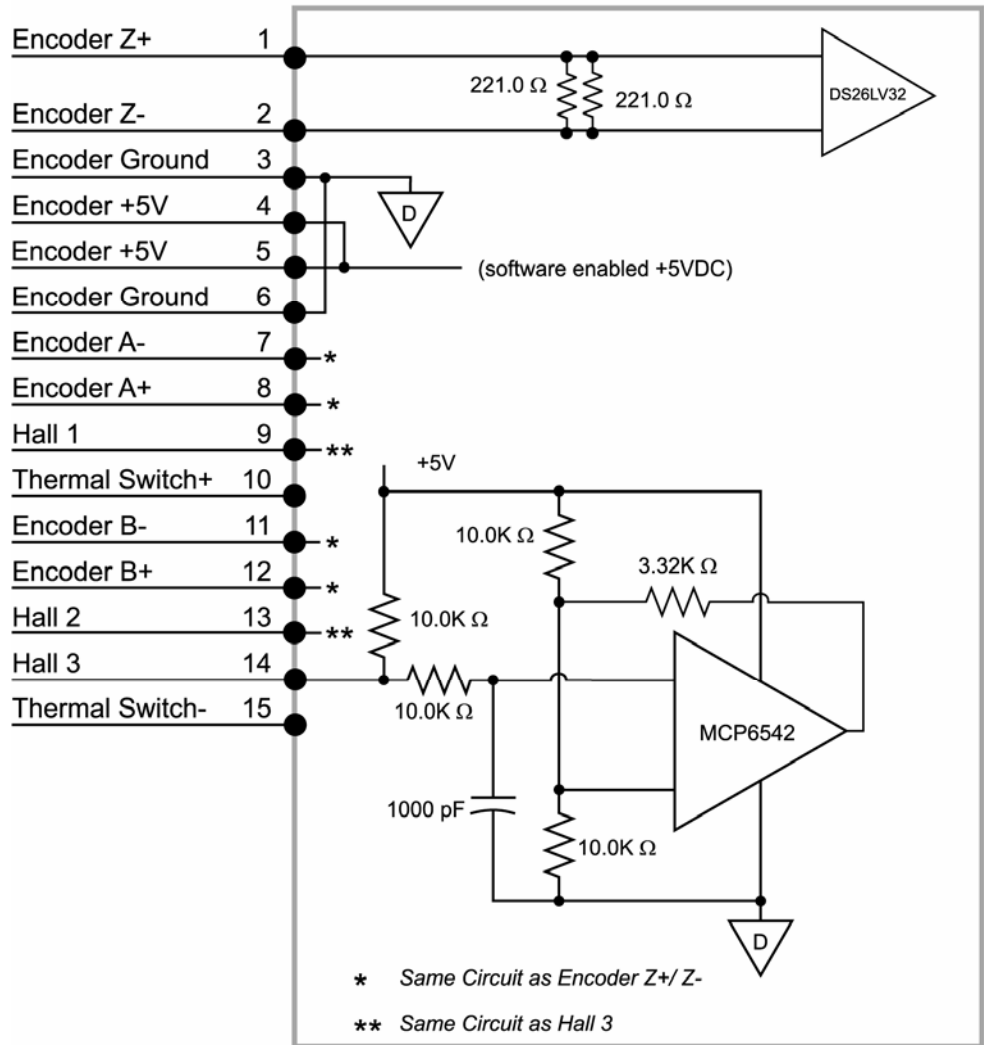


Figure 21 Motor Feedback Connector, Internal Circuit Diagram

Drive I/O Connector

The drive's RJ-45 EPL connector replaces the Drive I/O connector as the I/O communication interface between the controller and the drive, thereby making the Drive I/O connector available for other applications. The 25-pin Drive I/O connector has seven inputs and four outputs, which are described below. All drive input and output signals are optically isolated.

- Four general purpose inputs with both Anodes (+) and Cathodes (–) available
- Three high-speed inputs with both Anodes (+) and Cathodes (–) available
- Four General Purpose outputs

Figure 22 on page 39 shows the connector and Table 19 contains the connector pinout.

Note: The drive I/O connector *does not* serve as a traditional controller interface. The only interface for controller communication is the RJ-45 connector.

Cable

For preparing your own cable, use differential pair wiring with a minimum of three turns-per-inch (3 TPI).

Connector Specification—Drive

Manufacturer	KYCON or equivalent
Connector Type.....	25-Pin D-Subminiature (female socket)
KYCON Part Number	K22-B25S-NR

Connector Specification—Mating Connector

Mating connectors are not provided with the drive.

Manufacturer	AMP or equivalent
Connector Type.....	25-Pin D-Subminiature (male connector)
Cable Kit.....	AMP Part Number 748474-1 Includes: 1658648-1 connector, shield, enclosure, and two jack screws (does not include contacts or ferrules)
Contacts	Crimp style 30μ" Gold—AMP Part Number 748333-4 Gold Flash—Amp Part Number 748333-7

Pinout—Drive I/O Connector

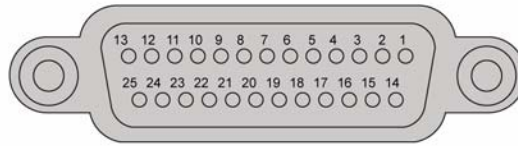


Figure 22 Drive I/O Connector, Female

Note: A box surrounding pins indicates a requirement for twisted pair wiring.

Signal	Pin
Input 0+	1
Input 0–	14
Input 1+	2
Input 1–	15
Input 2+	3
Input 2–	16
High-Speed Input 4+	4
High-Speed Input 4–	17
High-Speed Input 5+	5
High-Speed Input 5–	18
High-Speed Input 6+	6
High-Speed Input 6–	19
Input 3+	7
Input 3–	20
Not used	8
Not used	21
Output 0+	9
Output 0–	22
Output 1+	10
Output 1–	23
Output 2+	11
Output 2–	24
Output 3+	12
Output 3–	25
Not used	13

Table 19 Drive I/O Connector Pinout

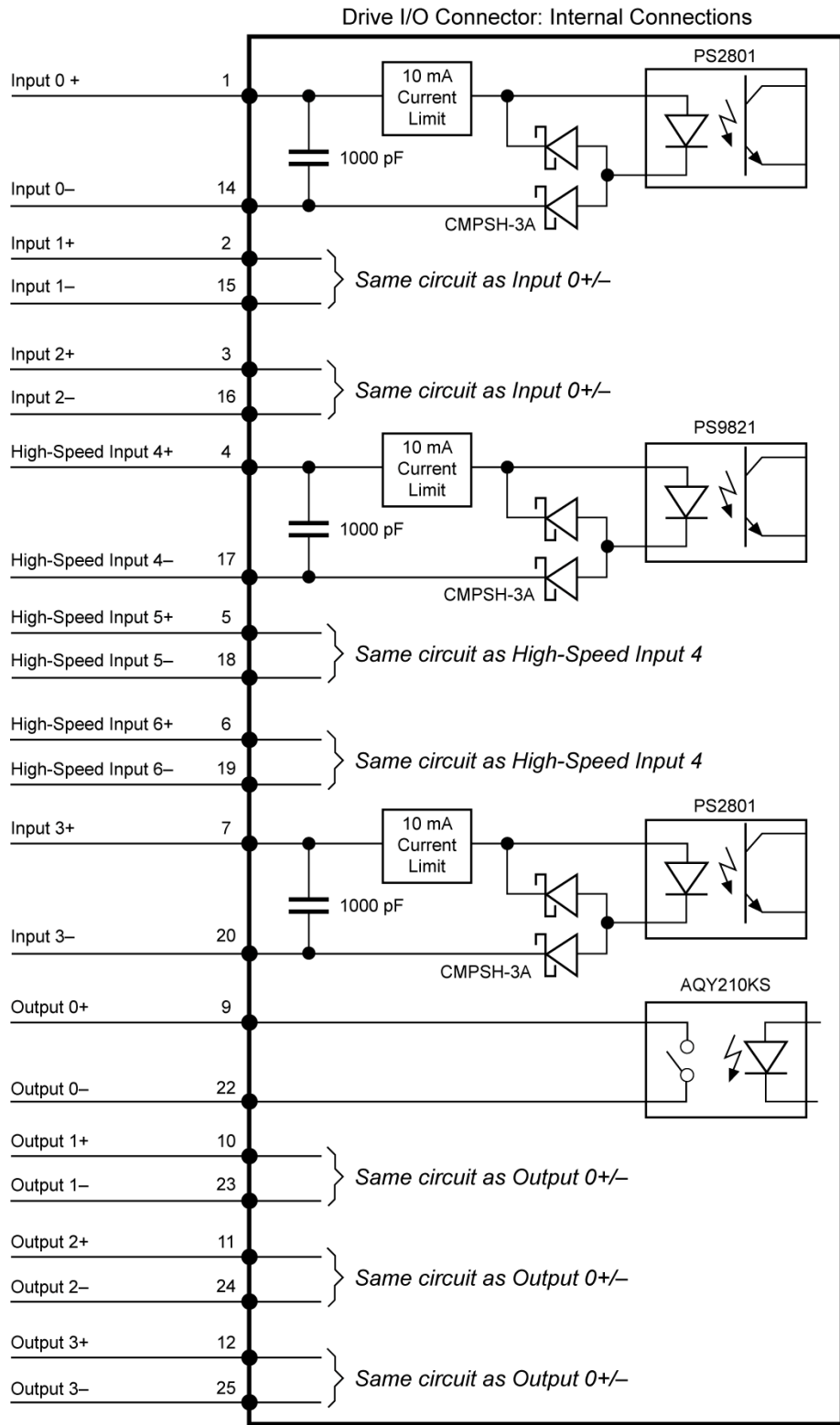


Figure 23 Drive I/O Connector, Internal Circuit Diagram

Inputs—High-Speed

The high-speed inputs are optically isolated inputs. Current is limited internally for input voltage control of 5 to 24 volt logic. The Anode (+) and Cathode (-) optocoupler inputs are on separate connector pins to allow significant flexibility in wiring to different styles of interface.

Description	Min	Max	Units
Turn-on time	–	200	ns
Turn-off time	–	400	ns
Guaranteed on voltage	4	–	VDC
Guaranteed off voltage	–	2	VDC
Maximum forward voltage	–	30	VDC
Maximum reverse voltage	-30	–	VDC
Forward current	3	12	mA

Note: All parameters are at the connector pin.

Table 20 Inputs—Trigger and Home Electrical/Timing Characteristics

Inputs—General Purpose

These slow inputs are optically isolated. Current is limited internally for input voltage control of 5 to 24 volt logic. The Anode (+) and Cathode (-) optocoupler inputs are on separate connector pins to allow significant flexibility in wiring to different styles of interface.

Description	Min	Max	Units
Turn-on time	–	1	ms
Turn-off time	–	2	ms
Guaranteed on voltage	4	–	VDC
Guaranteed off voltage	–	2	VDC
Maximum forward voltage	–	30	VDC
Maximum reverse voltage	-30	–	VDC
Forward current	3	12	mA

Note: All parameters are at the connector pin.

Table 21 Additional Inputs—Electrical/Timing Characteristics

Outputs—General Purpose

The general purpose outputs are optically isolated and current limited. Both sides of the MOSFET output structure are brought to the pins to allow significant flexibility in wiring to different styles of interface.

Description	Min	Typical	Max	Units
Turn-on time	–	–	2	ms
Turn-off time	–	–	1	ms
Working voltage	–30	–	30	VDC
On-time voltage drop IL ≤ 10 mA	–	–	0.4	VDC
On-time voltage drop 10 mA < IL ≤ 100 mA	–	–	4.0	VDC
Load current, IL (TA ≤ 35C)	–	–	100	MA
Load current, IL (35C < TA ≤ 50C)	–	–	80	MA
Short circuit trip current	–	200	–	mA

Note: All parameters are at the connector pin.

Table 22 Outputs—General Purpose Outputs Electrical/Timing Characteristics

ETHERNET Powerlink Connector

See the next chapter, “Communications,” for information on the ETHERNET Powerlink Connection.

CHAPTER FOUR

4 Communications

IN THIS CHAPTER

• Overview	44
• ETHERNET Powerlink Connection	44
• Multiple-Drive Installation	48
• LED Status Indicators	49

Overview

The Aries EPL drive is designed to use the advanced communication capabilities of ETHERNET Powerlink, which makes setup virtually automatic. Through an EPL connection, the drive and controller exchange essential information for establishing the drive in the EPL network. The drive also communicates in a standard Ethernet network, thereby providing a direct link for sending commands through the ACR-View online help system. This chapter describes how to establish both standard Ethernet and EPL connections.

All models of the drive have a dual-stack, standard RJ-45 connector, which provides two communications ports. Although standard Ethernet and EPL are functionally different, the electrical and mechanical connections are largely the same.

ETHERNET Powerlink Connection

The drive has ETHERNET Powerlink (EPL) motion bus capability. EPL is an open-standard communication profile for Real-Time Ethernet. It extends Ethernet capabilities by transferring data with the timing and synchronization performance required for motion control systems. EPL uses standard Ethernet for the data link layer, but imposes timing rules on all members of the network. These rules prevent collisions and ensure precise periodic-data exchange.

EPL functions as the sole communication interface between the drive and controller, carrying position setpoint commands, and setup, feedback, and I/O information. It also provides communication for multidrive installations.

EPL/Ethernet Cable Specification

For connection to an EPL controller or another EPL drive use a braid over foil twisted pair cable (straight or crossover). An example of this type of cable is L-COM TRD855SIG-XX.

The maximum cable length is 100m, as defined by Ethernet 100Base-TX standards.

EPL/Ethernet Connector

A dual-stack, standard RJ-45 socket connector, located on the front panel of the drive, provides two communication ports that accommodate ETHERNET Powerlink connections. The two sockets of the connector are identical and either may be used for connection to an EPL controller, another EPL drive, or a direct connection to a PC network card.

The presence of the two sockets forms a small internal hub, which permits the connection of multiple drives in one network. (See [“Multiple-Drive Installation”](#) on page 47 for more information.)

To provide top noise performance, the connector contains isolation transformers and common mode chokes for both the transmit and receive signal pairs.

Figure 24 shows the plug and socket connectors and their features. Table 23 contains the connector pinout.

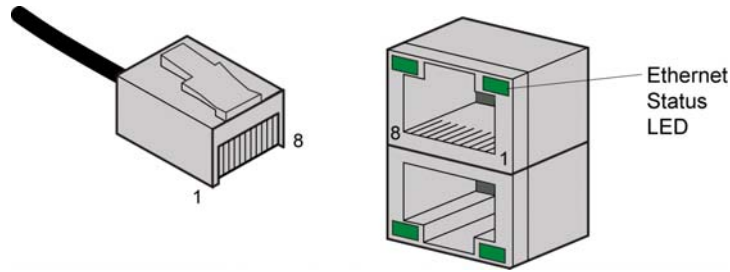


Figure 24 RJ-45 Connectors

Signal	Pin	Wire Color	Description
RX+	1	White/orange	Differential Receive positive side
RX-	2	Orange	Differential Receive negative side
TX+	3	White/green	Differential Transmit positive side
	4	Blue	Not used
	5	White/blue	Not used
TX-	6	Green	Differential Transmit negative side
	7	White/brown	Not used
	8	Brown	Not used

Note: Pin assignment follows EIA/TIA T568B guidelines.

Table 23 RJ-45 Connector Pinout

Connector Specification

Manufacturer..... Bel or equivalent
 Connector Type..... 8-Pin, RJ45 (female socket)
 Bel Part Number..... 0845-2D1T-H5

LED Ethernet Status Indicators

LEDs located on the RJ-45 socket connector indicate the Ethernet network status. Table 24 describes the LED states and their meanings.

LED	Steady	Flash	Description
Ethernet Link/Activity	Off	—	No Ethernet link detected
	Yellow	—	Ethernet link established, no activity
	—	Yellow	Ethernet link established and active
Ethernet Speed	Off	—	Ethernet 10Mbps
	Green	—	Ethernet 100Mbps

Table 24 Ethernet Status LED Descriptions

Establishing an EPL Network

A member of an EPL network is called a node. An EPL network comprises one managing node (MN) and one or more controlled nodes (CN). In this case, the controller is the MN and the drive is the CN. The MN starts and stops the network and initiates all communication. The CN responds to requests from the MN.

An EPL network is a private class C network with the Net ID (or IP address) 192.168.100.xx, in which the first three octets will always be 192.168.100 for all nodes. The last octet, however, is unique for each node on the network and is referred to as the node ID. The node ID is determined by the address-switch settings on a drive. For example, if a drive's switch setting is 13, its node ID is 13 and its Net ID is 192.168.100.13.

Note: The EPL Net ID established with the address switches is also the IP address used for connecting to a PC with standard Ethernet. The subnet mask setting for the drive is 255.255.255.0 and cannot be changed.

Assigning the Drive Node ID

Make sure you have assigned the drive node ID before making the EPL connection. (Setting the drive's IP address also sets the node ID—the last octet of the IP address.) Verify that no two drives on the network have the same node ID.

The drive has two rotary decimal switches for setting the node ID from 1 through 99 (00 is not a valid node ID). One switch is marked X1 and the other X10. X1 is the “ones” position and X10 is the “tens” position. For example, set the address to 13 by turning the pointer on the X10 switch to 1 and the X1 switch to 3 (10 + 3 = 13). Figure 25 shows the location of the switches.

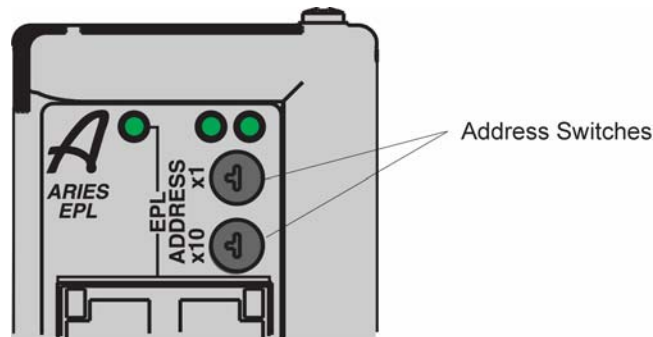


Figure 25 Address Switches

Connecting to an EPL Controller

All models of the drive have a dual-stack RJ-45 socket connector providing two EPL ports. The two RJ-45 sockets on the drive can be used interchangeably. Connect one of the drive's EPL ports to an EPL port on the controller, as shown in Figure 26.

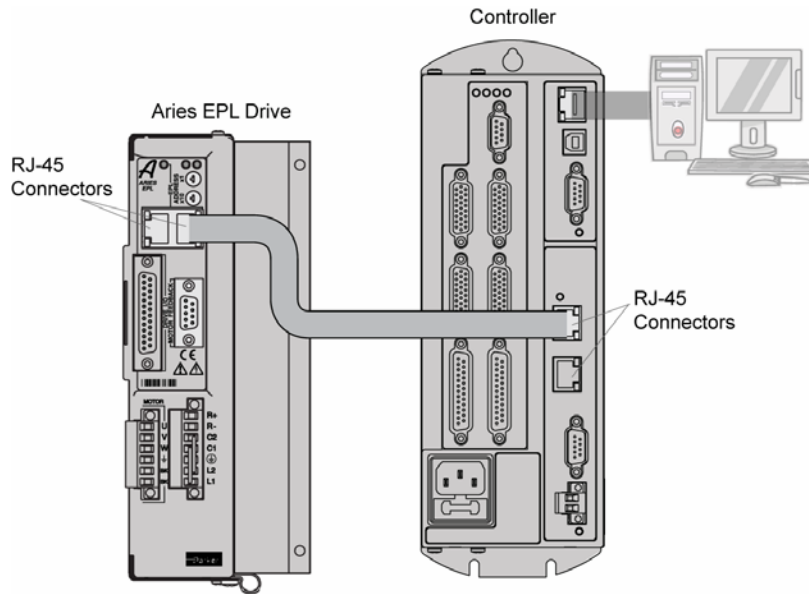


Figure 26 ETHERNET Powerlink Connection

Note: EPL network configuration is for the most part performed automatically by the controller. See the controller's user guide for complete information on configuring a network.

Connecting to a PC

Connect one end of an Ethernet cable to a PC in your Ethernet network. Connect the other end to one of the drive's two RJ-45 socket connectors, as shown in Figure 27. The drive's two RJ-45 sockets can be used interchangeably.

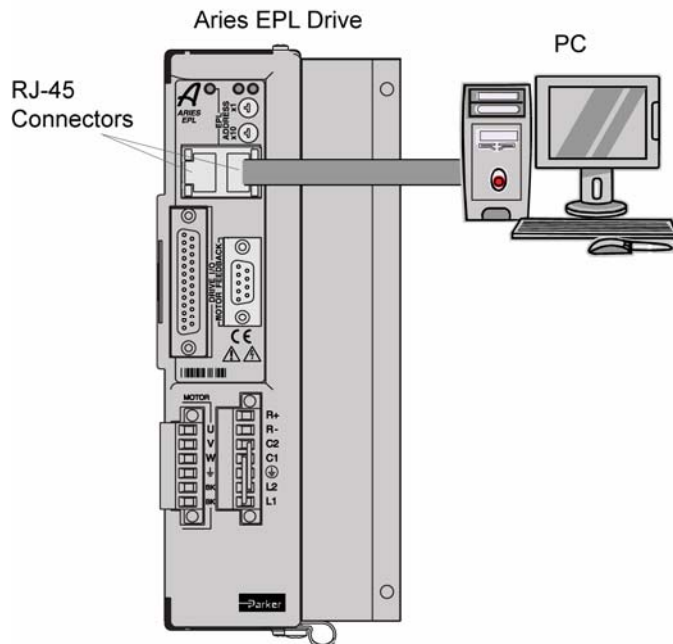


Figure 27 Ethernet Connection

Multiple-Drive Installation

A maximum of 16 drives (controlled nodes—CNs) may be connected directly to the controller (managing node—MN) in daisy-chain fashion. Each EPL connector on the controller can support one chain with a maximum of eight drives. (The controller's two EPL connectors are connected by an internal hub.) Figure 28 illustrates an EPL network installation with up to 16 drives.

100Base-TX Class 2 hubs or repeaters may be used in an EPL network, but the maximum of 16 CNs per each ACR9000 EPL Controller (MN) may not be exceeded. (Class 2 defines the lowest latency and jitter standard.) Figure 29 shows an example of an EPL network installation with an external hub.

Ethernet switches typically will not work in an EPL network. Switches buffer the data before retransmission and therefore introduce excessive latency or jitter that interferes with the real time capabilities of EPL. Additionally, switches selectively route data to select ports, whereas an EPL network requires all data on all ports simultaneously.

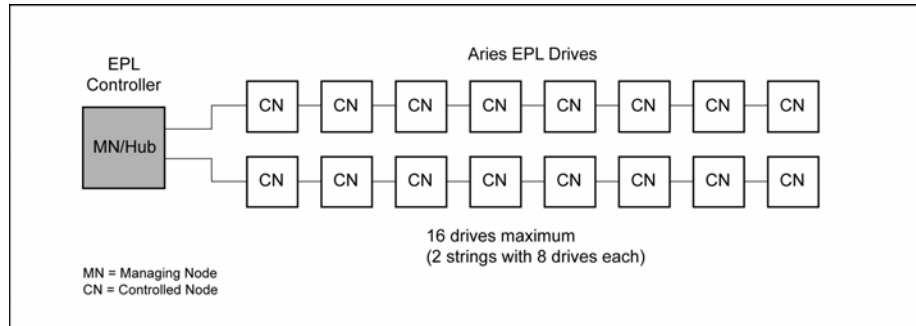


Figure 28 Multiple Drive Installation

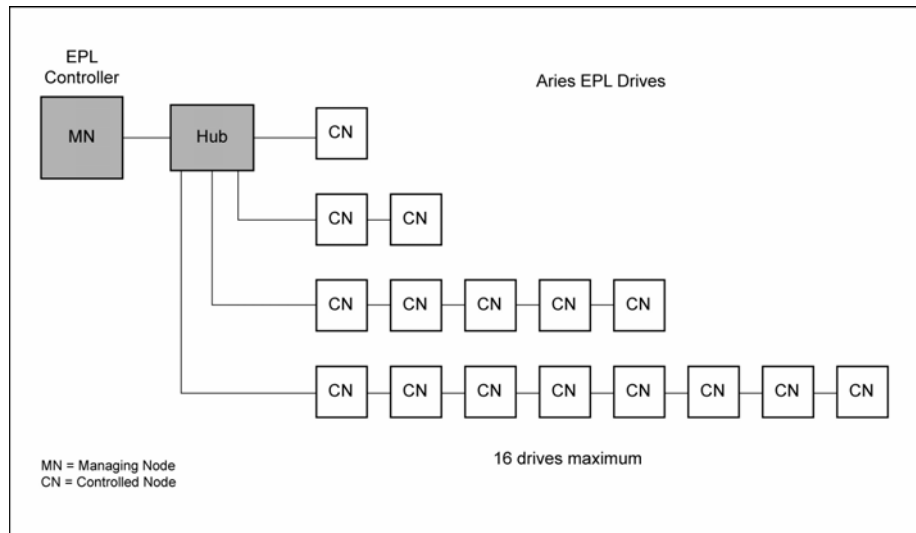


Figure 29 Multiple Drive Installation with External Hub

LED Status Indicators

EPL Status

The drive has one bi-color LED on the left of the front panel that indicates EPL status. It displays green or yellow colors. Figure 30 shows the location of the LED on the drive. (The two LEDs on the right indicate drive operating status.) Table 25 describes the states and meanings of the LED. (For additional information on verifying communication, see Chapter 6 Troubleshooting.)

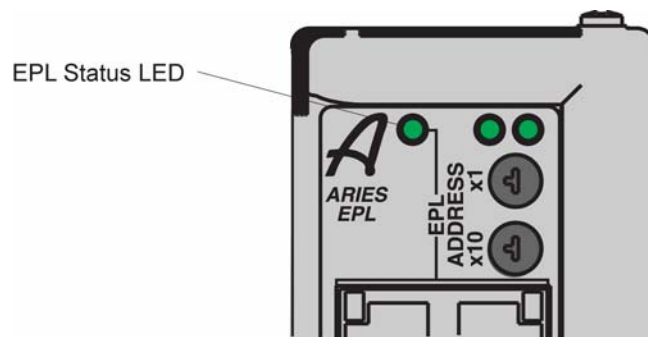


Figure 30 EPL Status LED

EPL Status LED Illumination States	
LED State	Description
Off	Powering up, searching for Ethernet
Off/Green, flickering (alternating 50 ms at 10 Hz)	Standard Ethernet mode (no error)
Red/Green, flickering (alternating 50 ms at 10 Hz)	Standard Ethernet mode, EPL error
Green, 1 flash	Waiting for configuration, followed by Start of Cycle frame
Green, 2 flashes	Waiting for configuration to complete
Green, 3 flashes	Ready to operate in EPL mode
Green, constant	EPL mode
Red/Green, flashing (alternating 200 ms at 2.5 Hz)	Not participating in frame exchange, but observing EPL communications

Table 25 EPL Status Indicator LED Descriptions

Drive Status

The drive has two bi-color LEDs on the right of the front panel that indicate drive operating status. The LED on the left displays green or yellow colors; The LED on the right displays green or red colors. Figure 31 shows the location of the LEDs. Table 26 contains their states and meanings.

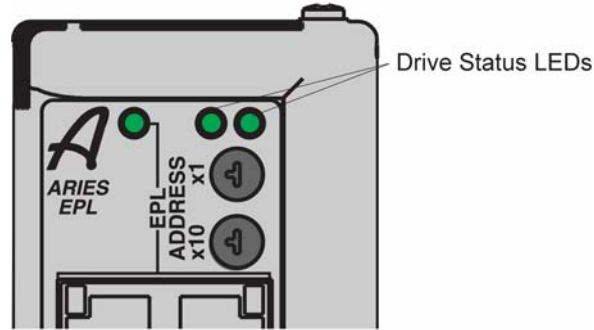


Figure 31 Drive Status Indicator LEDs

Drive Status LED Illumination States		
LED Left	LED Right	Description
Drive Enabled		
Off	Green	Enabled
Yellow (flashes during Regeneration)	Green	Enabled, Regeneration active
Yellow/Green (alternating)	Green	Enabled, Autorun mode
Drive Disabled		
Off	Red	Disabled, no faults or Ethernet boot, 8-second process
Yellow	Off	Motor control boot, 4-second process
Yellow	Red	Disabled, no bridge power
Yellow & 1 Green (flashing)	Red	Disabled, Bridge fault
Yellow & 2 Green (flashing)	Red	Disabled, Feedback fault
Yellow & 3 Green (flashing)	Red	Disabled, Thermal fault
Yellow & 4 Green (flashing)	Red	Disabled, other fault
Yellow & 5 Green (flashing)	Red	Encoder Loss

Table 26 Drive Status Indicator LED Descriptions

CHAPTER FIVE

Tuning

IN THIS CHAPTER

• Servo Tuning Overview.....	52
• Position Variable Overview	53
• Servo Response Overview.....	54
• Servo System Gains	56
• Servo Tuning.....	59

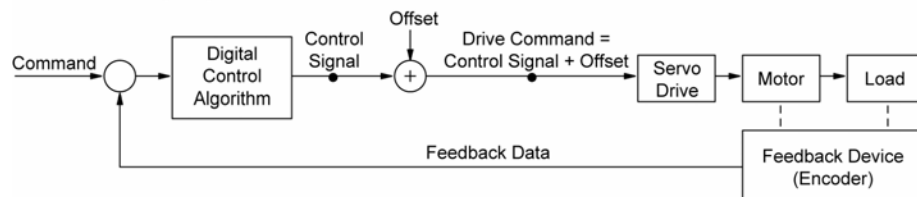
Servo Tuning Overview

The drive uses a *digital control algorithm* to control and maintain the position and velocity. The digital control algorithm consists of a set of numerical equations used to periodically (once every servo sampling period) calculate the value of the control output.

The numerical terms of the equations consist of the current commanded and actual position values (including a few from the previous sampling period), and a set of control parameters. Each control parameter, commonly called a *gain*, has a specific function (for more information, see “[Servo System Gains](#)” on page 56). In addition, *tuning* is the process of selecting and adjusting gains to achieve optimal servo performance.

When using the control algorithm described above, the whole servo system acts as a closed-loop system (see Figure 32). It is called closed loop because the control algorithm accounts for both the command (position, velocity, tension, etc.) and the feedback data from the encoder. Therefore, it forms a closed loop of information. When all gains are set to zero, the digital control algorithm is disabled.

Closed Loop System



Open Loop System

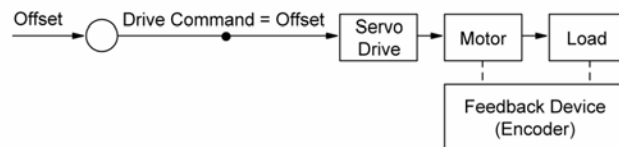


Figure 32 Closed Loop and Open Loop System Comparison

To command a drive, controllers can provide $\pm 10\text{V}$ analog output; step and direction signals; or commanded position, torque, or velocity values over a serial bus. Once the digital control algorithm has calculated the digital control signal, the resultant digital value is sent out from the *DSP* (digital signal processor) to the *DAC* (Digital-to-Analog Converter). The DAC has an analog output range of -10V to $+10\text{V}$.

It is possible for the digital control signal, calculated by the control algorithm, to exceed the DACs output range. If this occurs, the resulting analog output becomes *saturated*—where the analog output signal remains at the limit until the position error changes such that the control algorithm calculates a control signal less than the limit.

The phenomenon of reaching the output limit is called *controller output saturation*. When saturation occurs, increasing the gains *does not* help improve performance because the DAC is already operating at its maximum level.

Position Variable Overview

In a servo system, the controller uses two types of position information: commanded position and actual position. As these positions change with time, you can use the position values to determine if the system is positioning as you expect.

Commanded Position

The commanded position is calculated by the motion profile routine from the controller and it is updated every servo sampling period. Therefore, the commanded position is the intended position at any given point of time.

To view the current commanded position, open the numeric status panel in ACR-View, select Axis Parameters, then Current Position. The instantaneous commanded position is shown for all axes.

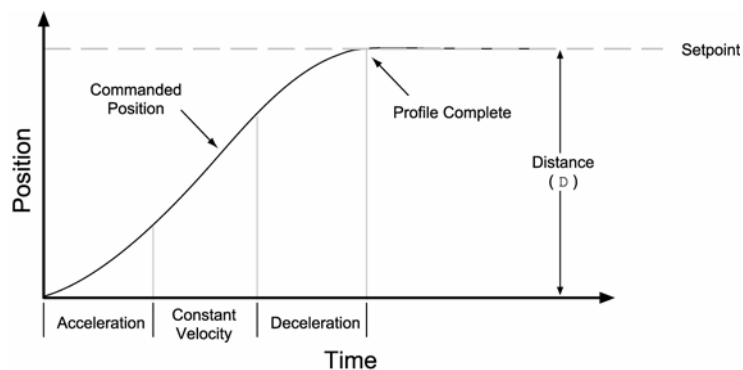


Figure 33 Commanded Position

Actual Position

The actual position of the motor/load is the drive's response to the commanded position, and is measured with the feedback device. The profile resulting from the actual position across time is the *position response* (for more information, see "[Servo Response Overview](#)" on page 54).

To view the actual position, open the numeric status panel in ACR-View, select Axis Parameters, then Actual Position. The actual encoder position is shown for all axes

The difference between commanded and actual positions is called a *following error*. To view the following error, open the numeric status panel in ACR-View, select Axis Parameters, then Following Error. The following error is shown for all axes.

If the motor is not moving, the position error is called a *steady-state position error*. If a position error occurs when the motor is moving, it is called a *position tracking error*.

Even when the system is properly tuned, the position error can still be quite significant due to a combination of factors such as the desired profile, the motor's limitation, the dynamic characteristics of the system, etc. For example, if the commanded velocity is higher than the maximum velocity the motor can physically achieve, the actual position will always lag behind the

commanded position. Under these circumstances, a position error will accumulate no matter how high the gains are set.

Servo Response Overview

Stability

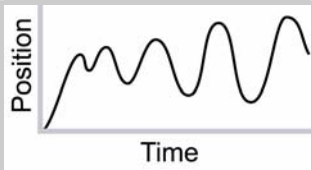
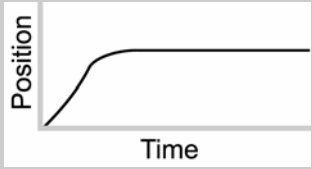
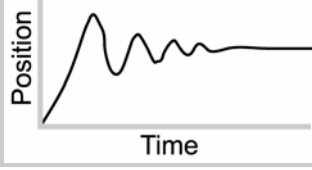
The first objective of tuning is to stabilize the system. The formal definition of system stability is when a bounded input is introduced to the system, the output of the system is also bounded. What this means to a motion control system is if the system is stable, and the position setpoint is a finite value, the final actual position of the system is also a finite value.

In contrast, if the system is unstable, no matter how small the position setpoint or how little a disturbance (motor torque variation, load change, noise from the feedback device, etc.) the system receives, the position error will increase exponentially in almost all cases. In practice, when the system experiences instability, the actual position will oscillate in an exponentially diverging fashion as shown in Table 27.

One common misperception is that whenever there is oscillation, the system is unstable. It is important to recognize that a system is considered stable if the oscillation finally diminishes (damps out), even if it takes a long time.

Position Response Types

Table 27 identifies the six basic types of position responses. The primary difference among these responses is due to *damping*—the suppression (or cancellation) of oscillation.

Response	Description	Profile (position/time)
Unstable	Instability causes the position to oscillate in an exponentially diverging fashion.	
Over-damped	A highly damped, or over-damped, system gives a smooth but slower response.	
Under-damped	A slightly damped, or under-damped, system gives a slightly oscillatory response.	

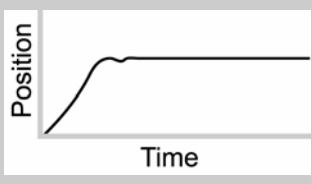
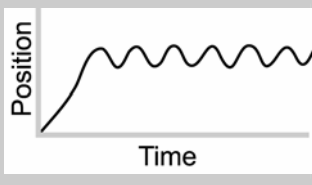
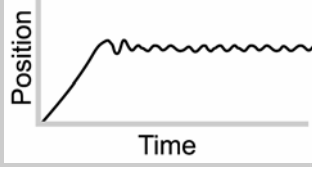
Response	Description	Profile (position/time)
Critically damped	A critically-damped response is the most desirable because it optimizes the trade-off between damping and speed of response.	
Oscillatory	An oscillatory response is characterized by a sustained position oscillation of equal amplitude.	
Chattering	Chattering is a high-frequency, low-amplitude oscillation that is usually audible.	

Table 27 Position Response Types

Performance Measurements

If you plot of the position response versus time, you can make a few measurements to quantitatively assess the performance of the servo. These three measurements are made before or shortly after the motor stops moving:

- **Overshoot**—The measurement of the maximum magnitude that the actual position exceeds the position setpoint. It is usually measured in terms of the percentage of the setpoint value.
- **Rise Time**—The time it takes the actual position to pass the setpoint.
- **Settling Time**—The time between when the commanded position reaches the setpoint and the actual position settles within a certain percentage of the position setpoint. (Note the settling time definition here is different from that of a control engineering text book, but the goal of the performance measurement is still intact.).

Servo System Gains

Proportional Feedback Control (PGAIN)

Proportional feedback is the most important feedback for stabilizing a servo system. When the controller uses proportional feedback, the control signal is linearly proportional to the position error (the difference between the commanded position and the actual position). The proportional gain is set by the Servo Gain Proportional (**PGAIN**) command. Proportional feedback can be used to make the servo system more responsive (stiff), as well as reduce the steady state position error.

Because the control is proportional to the position error, whenever there is any disturbance (such as torque ripple or a spring load) forcing the load away from its commanded position, the proportional control can immediately output a signal to move it back toward the commanded position. This function is called *disturbance rejection*.

If you tune your system using only the proportional feedback, increasing the proportional feedback gain (**PGAIN** value) too much will cause the system response to be oscillatory, under-damped, or in some cases unstable.

Note: Do not set the proportional feedback gain (**PGAIN**) to zero, except when open-loop operation is desired.

Derivative Feedback Control (DGAIN)

Using *derivative feedback control*, the control signal is proportional to the rate of change of the position error. The Servo Gain Derivative (**DGAIN**) command sets the gain, which is in turn multiplied by the feedback device's rate of change of position error to produce the control signal derivative rate of change of position error. Such control tends to increase damping and improve the stability of the system.

A high derivative feedback gain (**DGAIN**) can also increase the position tracking error when traveling at constant velocity. In addition, setting the derivative feedback gain too high tends to slow down (over-damp) the response to a commanded position change.

Integral Feedback Control (IGAIN)

Using *integral feedback control*, the value of the control signal is integrated at a rate proportional to the feedback device position error. The rate of integration is set by the Servo Gain Integral (**IGAIN**) command.

The primary function of the integral control is to overcome friction and/or gravity and to reject disturbances so that steady state position error is minimized or eliminated. This control action is important for achieving high system accuracy. However, if you can achieve acceptable position accuracy by using only the proportional feedback (**PGAIN**), then there is no need to use the integral feedback control.

Controlling Integral Windup

If you are using integral control (**IGAIN**) and there is an appreciable position error that persists long enough during the transient period (time taken to reach the setpoint), the control signal generated by the integral action can end up too high; this saturates to the maximum level of the controller's analog control signal output. This phenomenon is called *integrator windup* (see Figure 34).

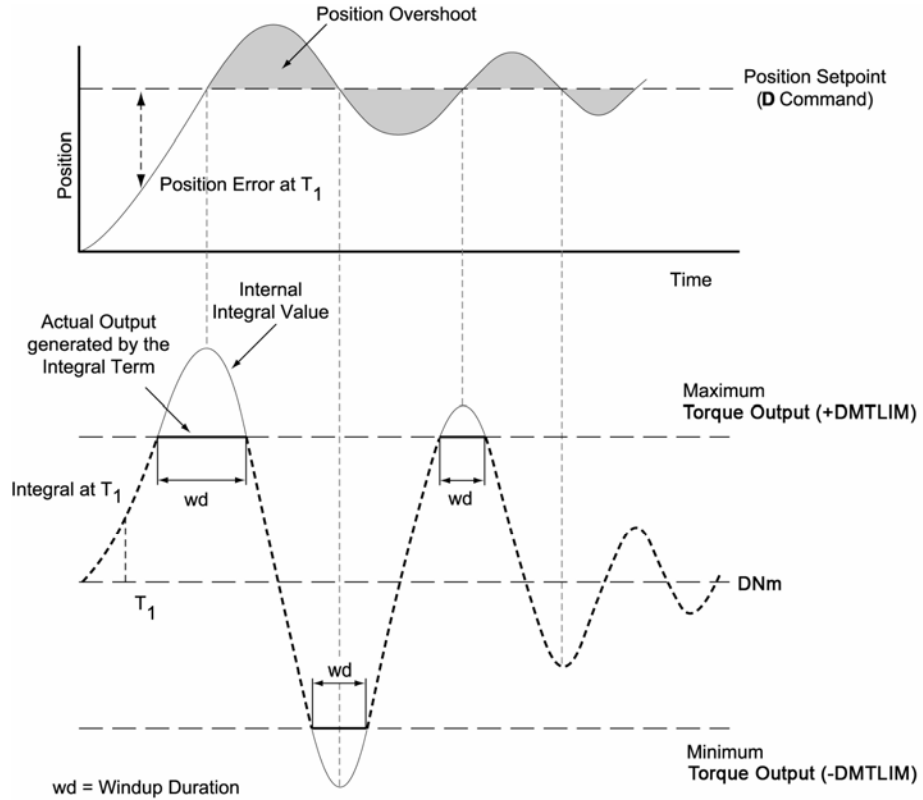


Figure 34 Integrator Windup (without Using **ILIMIT** Command)

After windup occurs, it takes time before the integrator output returns to a level within the limit of the controller's output. Such a delay causes excessive position overshoot and oscillation.

The integral windup limit (**ILIMIT**) command allows you to set the absolute limit of the integral. The commanded limit, in essence, turns off the integral action as soon as it reaches the limit; consequently, position overshoot and oscillation can be reduced (see Figure 35 on the next page).

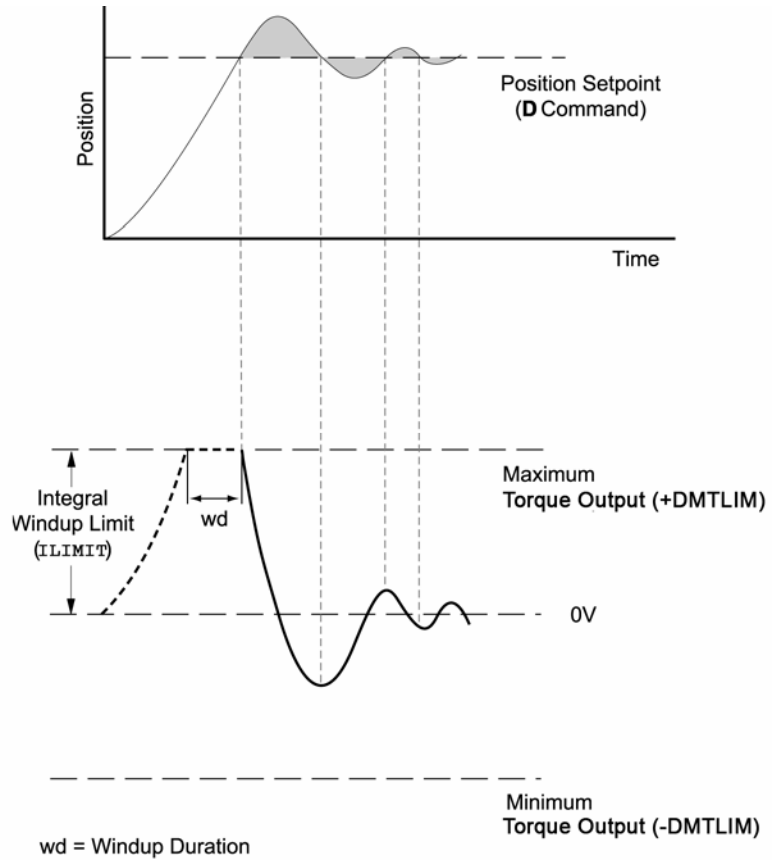


Figure 35 Integrator Windup (Using the **ILIMIT** Command)

Servo Tuning—Tutorial

The tuning process lets you hone the servo response and settling for your particular system.

Settling and responsiveness are the main components that determine performance. Generally, the goal of servo tuning is good settling, with a secondary goal of good responsiveness. Ultimately, only you can determine which aspect is of prime importance, and when the tuning is “good enough” for your system.

For safety, tune the servo system unloaded. Once the servo is stable and responsive, then add the load and tune the servo again.

Note: Because the differences between systems are wide, the following are provided only as guidelines.

Proportional and derivative gains work against each other—an increase to one gain affects the other. With this in mind, treat tuning as an iterative process: alternate between adjusting proportional and derivative gains.

- **PGAIN:** Adjusts servo response. You can always try to increase responsiveness, though mechanics ultimately limit response time.
- **DGAIN:** Adjusts settling time. The goal is always good settling.
- **IGAIN:** Adjusts steady-state errors (not discussed in this tutorial). Adding integral gain also increases responsiveness, though the increase might not be noticeable.



Warning — When tuning a servo motor, remove all loads from the motor to prevent personal injury or mechanical destruction. Once tuning provides a stable and responsive servo motor, you can attach the load and start the tuning process again.

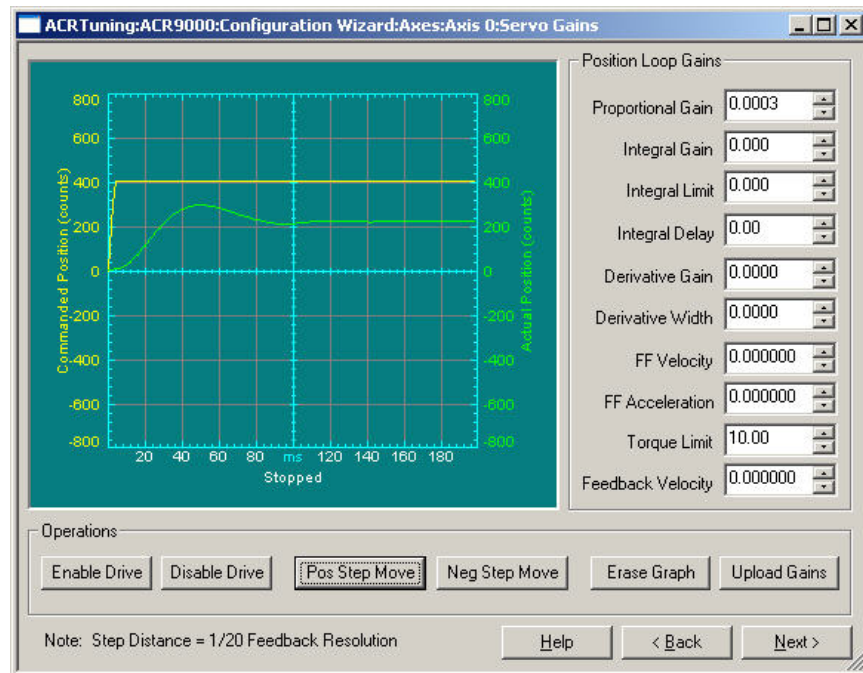
Tuning Example

The tuning example assumes the following:

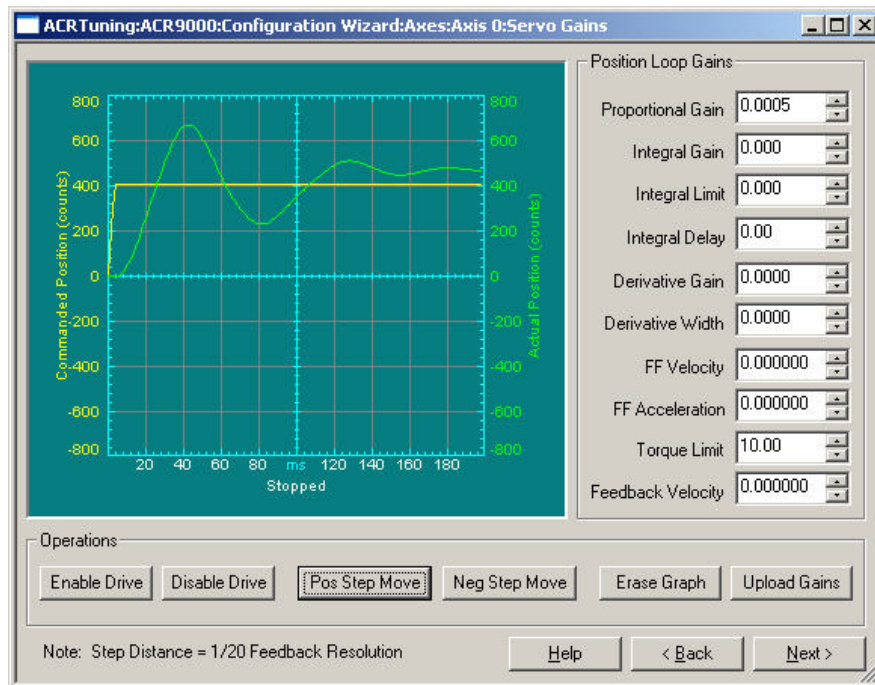
- Parker BE 241 motor.
- 9 to 1 load-to-rotor inertia ratio.

Illustration Legend	
Color	Position
Green	Commanded
Yellow	Actual

1. As a starting point, the **PGAIN** is set to 0.0003; no **DGAIN** is set at this time. The following figure shows that the motor is under responsive.

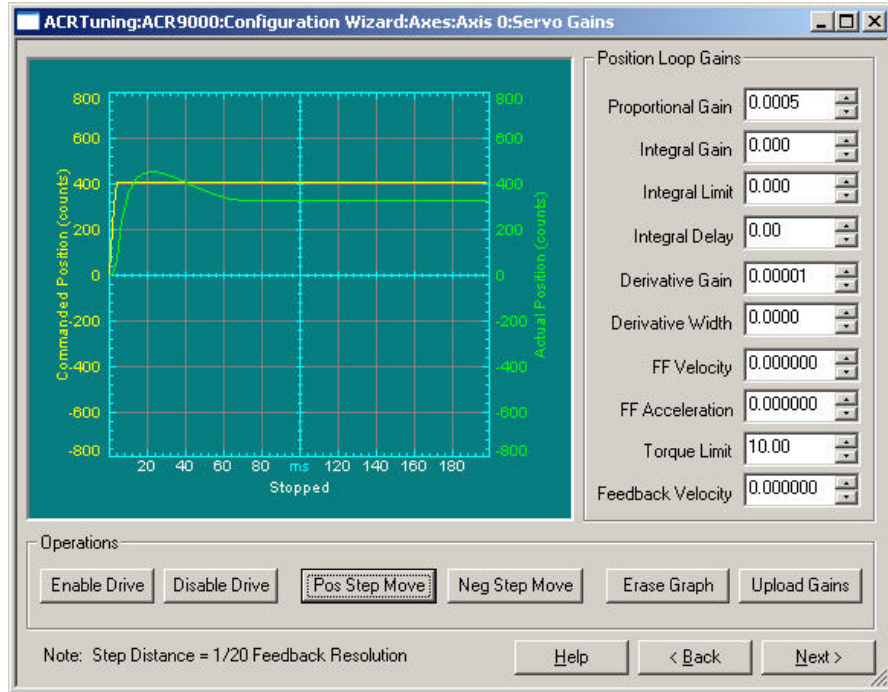


2. The **PGAIN** is increased to 0.0005 to increase the response. As the next figure illustrates, the motor response increased significantly, the motor is under-damped. Before continuing with adjusting the motor response, it is important to compensate for the under-damping by adding **DGAIN**.

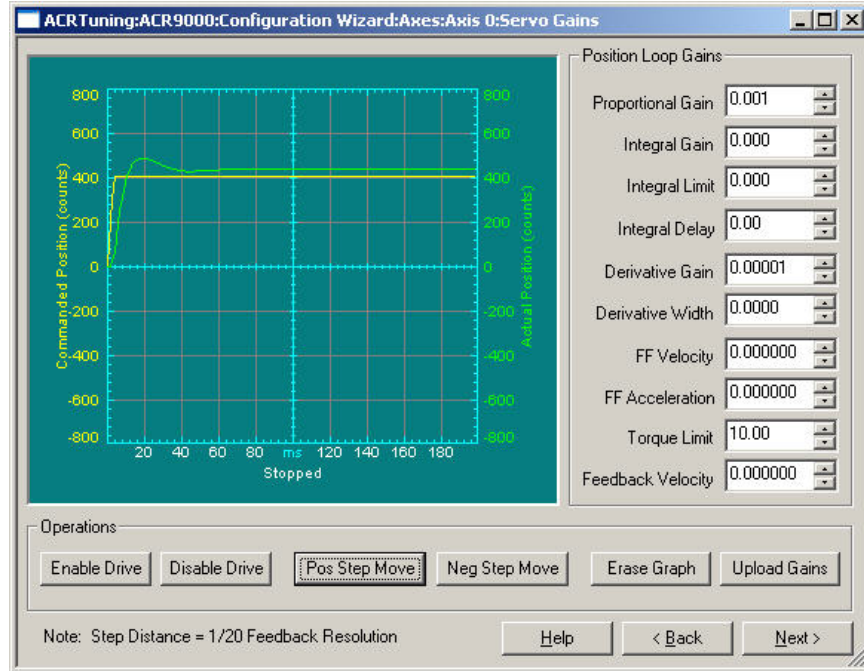


- Setting the **DGAIN** to 0.00001 slightly over-damps the response, as shown in the following figure. Now you can return to adjusting the motor response by increasing the **PGAIN**.

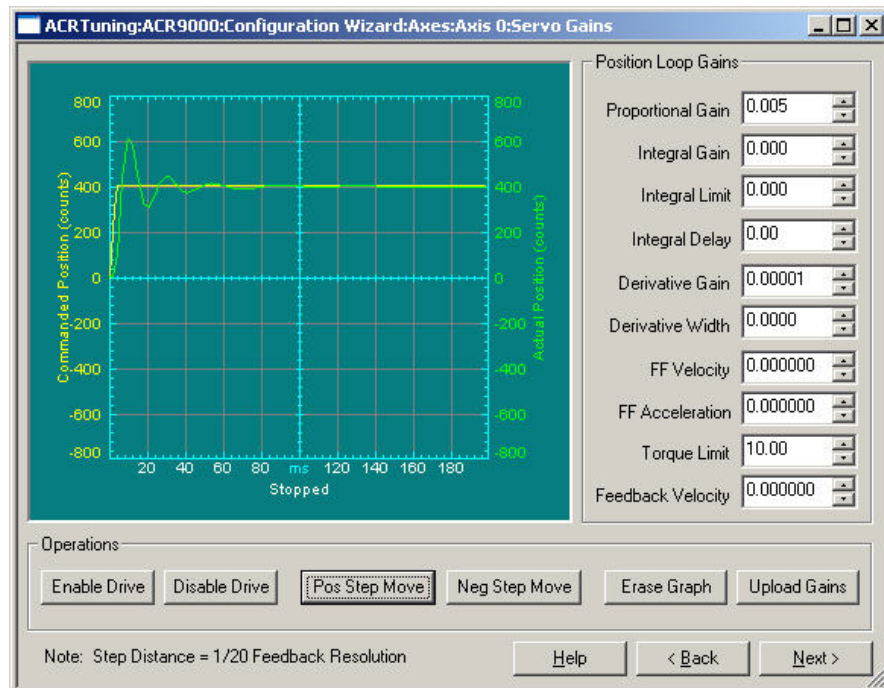
If you were to increase the proportional gain without adjusting the derivative gain, the oscillations would increase and possibly create motor instability.



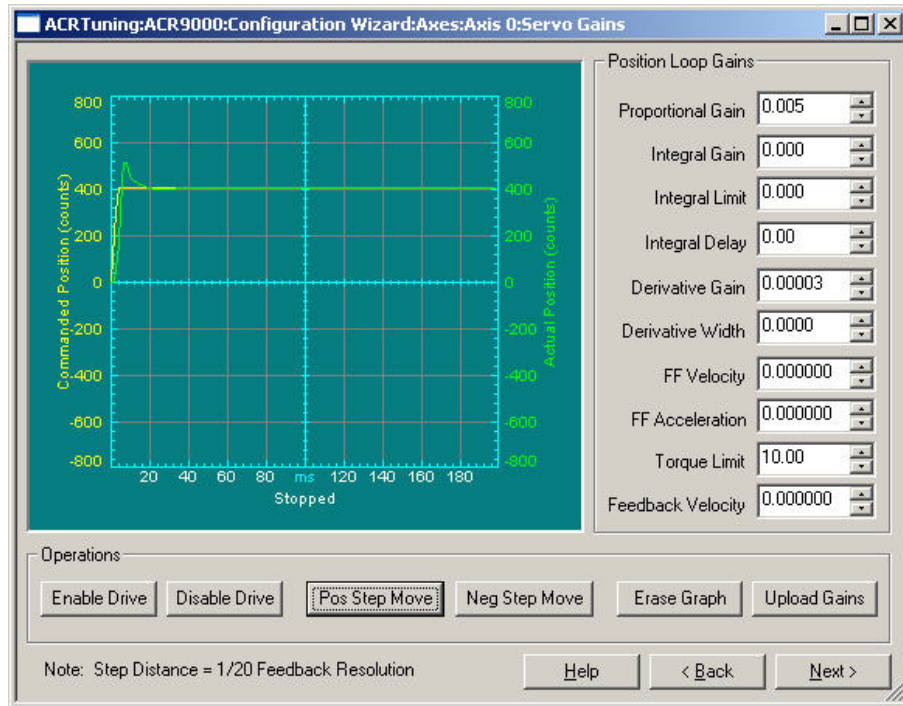
- With **PGAIN** increased to 0.001, motor responsiveness has increased and the over-damping has decreased slightly. As there is no significant change to the settling, there is no need to adjust the **DGAIN**. However, there is still room for improvement on motor response.



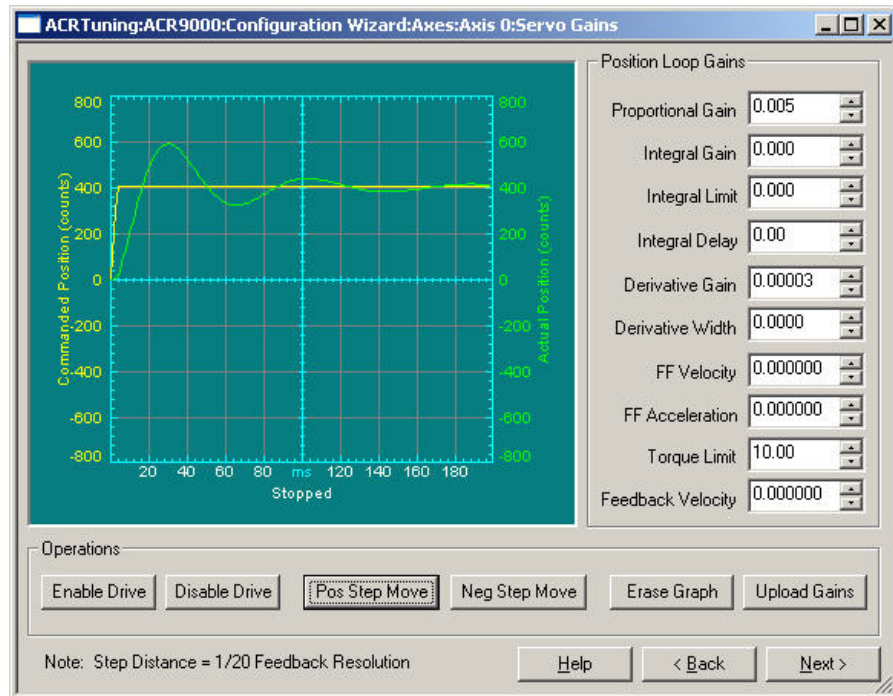
- The **PGAIN** is increased to 0.005, resulting again in increased responsiveness, as seen in the following figure. But with increased oscillations, due to under-damping, **DGAIN** needs to be adjusted again.



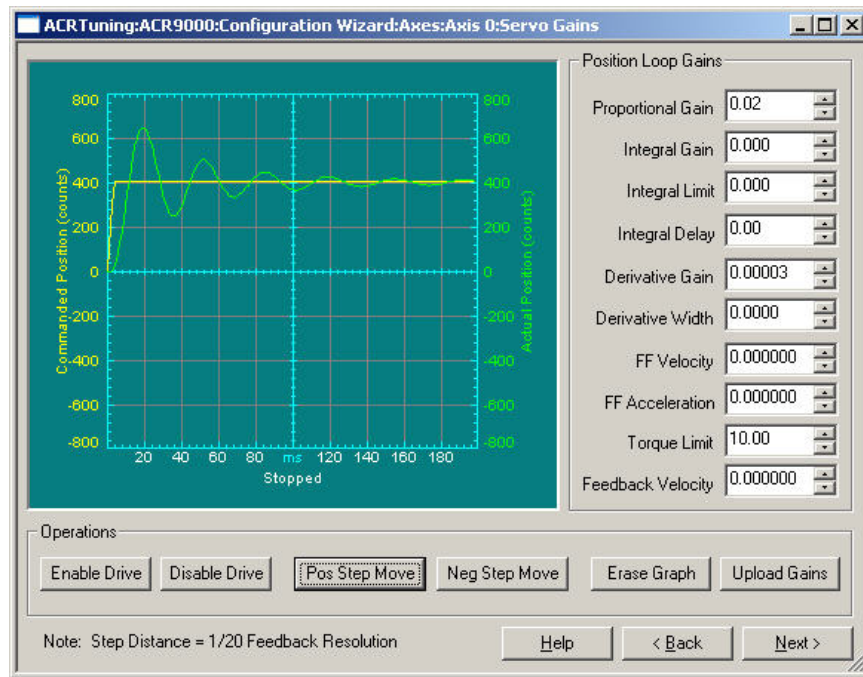
- Increasing the **DGAIN** to 0.00003 damps the oscillation. As the next figure illustrates, both motor response and damping look good. You are ready to add a load to the motor.



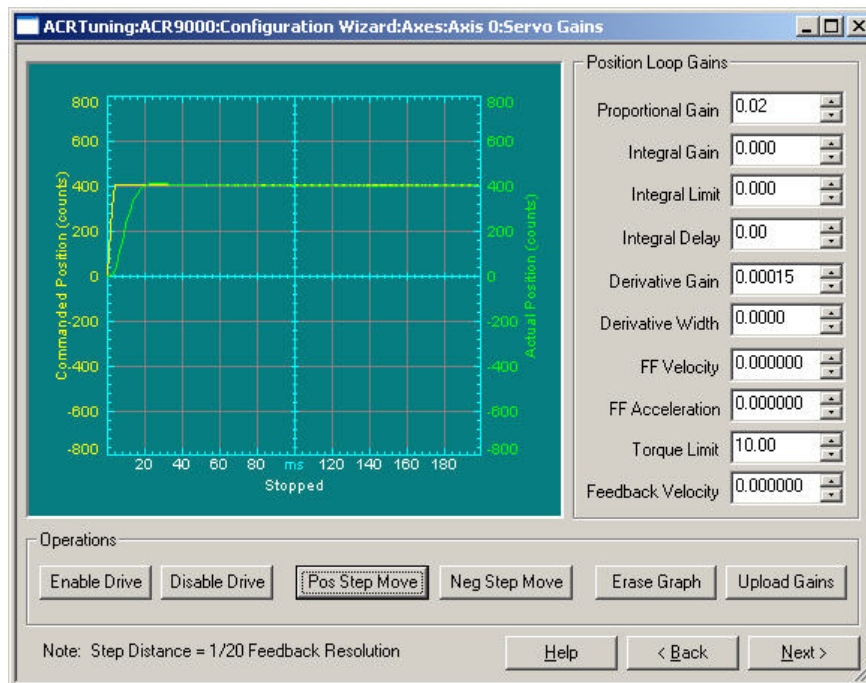
- With a loaded motor, the response has slowed and the damping is weaker. Like before, you can increase the **PGAIN** for a better response.



8. The **PGAIN** is increased to 0.02, and you can see better response from the motor. But there is still some oscillation from the motor, so increase the damping.



9. With **DGAIN** increased to 0.00015, the chattering is significantly reduced—both motor response and damping look good. With a load attached, the motor is now fast and stable; no more tuning is necessary.



Auto-Tuning

The drive can automatically determine the inertia of the load attached to the motor. This is performed by applying a specified torque to the motor and measuring the acceleration and deceleration of the motor. From this, the drive can calculate the load inertia and multiply the position loop gains to allow for the change in inertia. The calculated inertia can be observed via the **LJRAT** parameter.

Note: Excess friction can affect the measured inertia, thereby estimating the value higher than the actual inertia. While the drive can compensate for some friction, it may not compensate for all. If the estimated load inertia seems overly high, this may be the cause.

The Auto-Tune process should only last a few seconds, during which time the motor will rotate about one-quarter of a turn in each direction. Use the following method to start Auto-Tune mode:

1. In ACR-View, select the Servo Tuner window and select an EPL axis.
2. Click on Auto Inertia Detection. The motor will move and the new gains will be shown in the Position Loop Gains box.

CHAPTER SIX

Troubleshooting

IN THIS CHAPTER

• General Troubleshooting Guidelines	67
• Power	67
• Power-Up Sequence	67
• Communications.....	68
• Motor Control.....	72
• Fault Correction.....	73

General Troubleshooting Guidelines

The Aries EPL drive design features easy connectivity, auto-detect functions, and reliability. In addition, LEDs on the front panel of the unit provide quick identification of AC power, drive, and EPL/Ethernet status. If, after following the installation guidelines in chapters 2, 3, and 4, your drive does not function properly, use the guidelines and procedures in this chapter to troubleshoot. These guidelines also apply to troubleshooting a malfunction during normal operation of the drive.

A problem with the drive typically can be traced to one of four areas: power, power-up sequence, communications, and motor control. If your system is not functioning properly, follow the steps indicated for each of these areas.

Power

If none of the LEDs are illuminated, do the following:

1. Look for problems with AC power. Check the AC power source. Also check connections at the L1, L2, and \oplus earth ground terminals of the motor mains connector, and at the C1 and C2 terminals of the control mains connector).
2. If the AC wiring is correct but no LEDs illuminate, remove all connections to the drive (Drive I/O, Motor, Motor Feedback, and Ethernet cables), leaving the Mains control power C1, C2, and \oplus earth ground terminals connected. Apply power to the drive. If any LEDs illuminate, then a short exists in one of the disconnected cables.

Power-Up Sequence

Observing the power-up sequence may help identify defective hardware or software issues. Any deviation from the following power-up sequence may indicate the need for additional technical resources. Please see “[Technical Assistance](#)” on page ii for contact information.

1. Cycle power to the drive and observe the drive and EPL status LEDs.
2. When power is first applied, the right drive status LED turns RED. This is the default hardware state and simply indicates that power is applied.
3. After approximately 8 seconds, the right drive status LED turns off and the left drive status LED changes from off to yellow. This indicates the Ethernet processor has booted and is now in the process of booting the motor control processor.
4. After approximately 4 more seconds, the right drive status LED changes from off to RED again, indicating that the motor control processor has completed the boot process.
5. The left drive status LED changes states depending on conditions described in the section “[Motor Control](#)” on page 72.

6. The EPL status LED changes states depending on the status of the Ethernet or EPL network as described in the section “Communications” on page 68.

Communications

All drive communications are based on Ethernet or EPL. When the drive is attached to the ACR9000 EPL controller, and the EPL network is established, all communications takes place through the ACR9000. Each Aries EPL drive attached to the EPL network can be accessed through the ACR9000 EPL controller.

Alternatively, an Aries EPL drive may be connected directly to any appropriately configured Ethernet port. The drive IP address will be 192.168.100.xx, where xx is defined by the address selection switches on the drive’s front panel.

Ethernet Status LEDs

The first step in troubleshooting communications is to observe the state of the Ethernet status LEDs. (Figure 36 shows their location on the drive’s EPL RJ-45 socket.) These LEDs indicate any Ethernet or EPL connection, as described in Table 28. Note that for an EPL connection or a standard 100Mbps connection, both the yellow and green LED should be illuminated. For a 10Mbps Ethernet connection, the Yellow LED should be illuminated and the Green LED off.

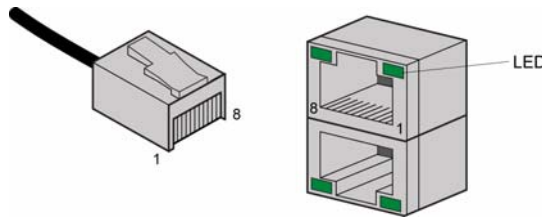


Figure 36 Ethernet Status LEDs

LED	Steady	Flash	Description
Ethernet Link/Activity	Off	—	No Ethernet link detected
	Yellow	—	Ethernet link established, no activity
	—	Yellow	Ethernet link established and active
Ethernet Speed	Off	—	Ethernet 10Mbps
	Green	—	Ethernet 100Mbps

Table 28 Ethernet Status LED Descriptions

If neither Ethernet Status LED is illuminated, the physical Ethernet connection is faulty.

1. Verify that you are using the correct type of cable. See “[EPL/Ethernet Cable Specification](#)” on page 44.
2. Verify that the cable pin out matches the drive’s connector pin out. See “[EPL/Ethernet Connector](#)” on page 44.
3. Try swapping cables with Ethernet cables you know to be good. Even cables that do not meet the EPL specification should cause the LEDs to illuminate.
4. If the LEDs still do not illuminate, look for Ethernet hardware problems.

EPL Status LEDs

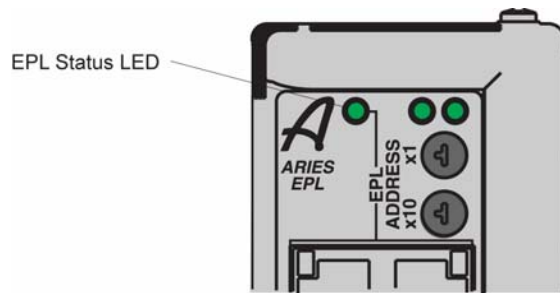


Figure 37 EPL Status LEDs

EPL Status LED Illumination States	
LED State	Description
Off	Powering up, searching for Ethernet
Off/Green, flickering (alternating 50 ms at 10 Hz)	Standard Ethernet mode (no error)
Red/Green, flickering (alternating 50 ms at 10 Hz)	Standard Ethernet mode, EPL error
Green, 1 flash	Waiting for configuration, followed by Start of Cycle frame
Green, 2 flashes	Waiting for configuration to complete
Green, 3 flashes	Ready to operate in EPL mode
Green, constant	EPL mode
Red/Green, flashing (alternating 200 ms at 2.5 Hz)	Not participating in frame exchange, but observing EPL communications

Table 29 EPL Status Indicator LED Descriptions

If the EPL Status LED is off, there is no valid Ethernet communication.

1. Check the network-status LEDs located on the drive's Ethernet/EPL connector to determine the state of the Ethernet connection. See ["EPL/Ethernet Connector"](#) on page 44. Do not proceed until the network status LED indicates that an Ethernet Link has been established.
2. Verify that no two drives on the network have the same IP address/Node ID. The Node ID is determined by the rotary switch settings on the front panel of the drive. See ["Assigning the Drive Node ID"](#) on page 46.
3. Temporarily disconnect all CNs, except for the one Aries EPL drive you are troubleshooting, to ensure there is no conflict with other CNs.
4. If you are connecting to an EPL network, try connecting to a standard Ethernet network instead.
5. Using a standard Ethernet connection, test the IP assignment. At a DOS or command prompt, type "ping 192.168.100.xx", where xx is the setting of the drive address switches on the front panel.
 - a. If you receive a "reply from" message, do the following: disconnect the drive Ethernet/EPL cable and type the ping command again.
 1. If you see "reply from" message, then another device or computer has already been assigned the same IP address. Change the node ID of the drive to one that is unique in the network.
 2. If you see a "timeout" message, then the drive is properly configured and is network accessible. Re-attach the Ethernet/EPL cable.
 - b. If a "timeout" message is seen, the drive has an invalid IP address. Determine the correct setting and assign it to the drive.

ACR-View

The ACR-View software is a user-friendly interface for verifying status of and commanding the ACR EPL controller and the EPL network it manages. Use ACR-View to perform additional troubleshooting of your network and drive. Refer to the ACR EPL controller user's guide for details of using the ACR-View software.

Once you have established an EPL connection as indicated by the EPL Status LED, launch ACR-View on the computer system connected to your EPL network.

1. Open the Configuration Wizard. Select Axes, then select the desired axis (drive/CN).
2. Set the drive motor combination used, then check the box next to "I want to edit the mechanical/electrical parameters for my motor (Advanced)."
3. Click Next and verify that the motor parameters are correct.
4. Continue through the configuration wizard and verify that all the parameters for the axis are correct.

Terminal Emulator (Hyper Terminal)

A terminal emulator such as Hyper Terminal will allow basic access to the drive's native commands. This may be connected directly to the drive via a standard Ethernet port, using TCP/IP and the IP address of the drive. The drive IP address is 192.168.100.xx, where xx is the front panel switch setting.

The terminal emulator may also connect to the drive through the ACR EPL controller while EPL is running. After the terminal emulator is connected to and communicating with the ACR9000 via an available communications port, the following command sequence is an example of how that connection can be extended to the drive.

```
OPEN "EPLD0:" AS #1    (open a connection to the drive)
TALKTO #1              (invoke the TALKTO function)
```

At this point the terminal emulator should be communicating directly with the drive, and all native drive commands should function. For example, the following command should elicit a response:

```
TDTEMP                (drive temperature query)
26.000                (drive will respond with the temperature)
```

To disconnect use the following sequence:

```
<ESC>                 (escape key, to exit from TALKTO function)
CLOSE #1             (close the connection to the drive)
```

Motor Control

The first step in troubleshooting motor-control issues is to examine the drive status LEDs. Use Table 30 to determine the condition they indicate. Use the additional information in this section to take corrective action.

Drive Status LEDs

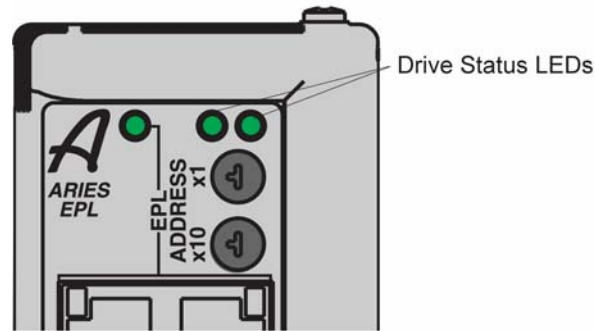


Figure 38 Drive Status LEDs

Drive Status LED Illumination States		
LED Left	LED Right	Description
Drive Enabled		
Off	Green	Enabled
Yellow (flashes during Regeneration)	Green	Enabled, Regeneration active
Yellow/Green (alternating)	Green	Enabled, Autorun mode
Drive Disabled		
Off	Red	Disabled, no faults or Ethernet boot, 8-second process
Yellow	Off	Motor control boot, 4-second process
Yellow	Red	Disabled, no bridge power
Yellow & 1 Green (flashing)	Red	Disabled, Bridge fault
Yellow & 2 Green (flashing)	Red	Disabled, Feedback fault
Yellow & 3 Green (flashing)	Red	Disabled, Thermal fault
Yellow & 4 Green (flashing)	Red	Disabled, other fault
Yellow & 5 Green (flashing)	Red	Encoder Loss

Table 30 Drive Status Indicator LED Descriptions

Fault Correction

If examining the LED states and conditions indicated has not solved the problem, launch the Aries Support Tool and establish communication with the drive. If you are unable to establish communication, see the section “Communications” on page 68.

To access further information on the drive status and fault conditions, use ACR-View on the computer system connected to your EPL network. (See the ACR EPL controller user guide for details on using ACR-View software.)

1. Open a terminal connection to the drive using one of the methods described under “[Terminal Emulator \(Hyper Terminal\)](#)” on page 71.
2. Enter the **CONFIG** command to see a list of drive configuration editors.
3. Enter the **ERROR** command to see a list of drive error messages.

Pay particular attention to faults that need to be fixed. Refer to Table 31 for corrective action suggestions.

Error Codes

Table 31 below contains a list of error messages and a brief description of corrective action.

Error Code	Resolution
E0—Motor Configuration Warning	The motor rating is too high for the drive, and the drive is using its own limits for safety reasons.
E1—Motor Configuration Error	One of the motor parameters is set to zero (Ø). Look at the additional errors to find which parameters are set at zero (Ø). Refer to your motor specifications for the correct value.
E3—Max Inductance = Ø	This parameter is set to zero (Ø). To correct the error, you must set a non-zero (Ø) value. Refer to your motor specifications for the correct value. (DMTIND)
E4—Rated Speed = Ø	This parameter is set to zero (Ø). To correct the error, you must set a non-zero (Ø) value. Refer to your motor specifications for the correct value. (DMTW)
E5—DPOLE = Ø	This parameter is set to zero (Ø). To correct the error, you must set a non-zero (Ø) value. Refer to your motor specifications for the correct value. (DPOLE)
E6—Resistance = Ø	This parameter is set to zero (Ø). To correct the error, you must set a non-zero (Ø) value. Refer to your motor specifications for the correct value. (DMTRES)
E7—Ke = Ø	This parameter is set to zero (Ø). To correct the error, you must set a non-zero (Ø) value. Refer to your motor specifications for the correct value. (DMKE)
E8—Continuous Current = Ø	This parameter is set to zero (Ø). To correct the error, you must set a non-zero (Ø) value. Refer to your motor specifications for the correct value. (DMTIC)

Error Code	Resolution
E9—Peak Current = 0	This parameter is set to zero (0). To correct the error, you must set a non-zero (0) value. Refer to your motor specifications for the correct value. (DMTIP)
E10—Continuous Current Too High Warning	The continuous current of the motor is higher than the continuous current rating of the drive. Use the continuous current rating for the drive.
E11—Torque Rating Is Greater than Peak Power Rating Warning	The motor's torque rating is too high for the power level of the drive. Use the drive's torque rating.
E12—Peak Current Too High Warning	The peak current of the motor is higher than the peak current rating of the drive. Use the drive's value for peak current.
E13—Inertia = 0	This parameter is set to zero (0). The drive will not enable Velocity or Position Modes. To correct the error, you must set to a non-zero value. Refer to your motor specifications for the correct value. (DMTJ)
E14—Damping = 0	This parameter is set to zero (0). The drive will not enable Velocity or Position Modes. To correct the error, you must set to a non-zero value. Refer to your motor specifications for the correct value. (DMTD)
E15—Notch Filter Calc Error.	The notch filter settings caused an internal calculation error. The last valid value was used. Try different values for the notch filter parameters. (DNOTAF, DNOTAQ, DNOTBF, DNOTBQ)
E16—Lead < Lag Freq	The lead filter setting (DNOTLD) must be greater than or equal to the lag filter setting. (DNOTLG)
E17—Lead ≥ 4* Lag Freq	The lead filter setting (DNOTLD) must be less than or equal to 4 times the lag filter setting. (DNOTLG)
E18—Lag Freq < 20 Hz	The lag filter setting (DNOTLG) must be greater than or equal to 20 Hz.
E19—E24	RESERVED
E25—Excessive Command Voltage at Enable	The command voltage (at the ANI+ terminal) was too high when the drive was enabled. Lower the voltage at the ANI+ terminal.
E26—Drive Faulted	The drive is faulted.
E27—Bridge Hardware Fault	Excessive current or short on the H-bridge.
E28—Bridge Temperature Fault	Excessive current being commanded: <ol style="list-style-type: none"> 1. If the application is operating in the peak range, limiting the peak current setting with DMTLIM can limit the current commanded and lower the bridge temperature. Default DMTLIM is 3 x continuous current, perhaps lowering it to 2.5 x continuous current or 2 x continuous current can help. This, however, will limit the motor's available torque, which may increase position error and possibly cause a position error fault. 2. Issue a DIFOLD 1 command. This command enables the "current foldback" feature in the drive. However, a drive in "foldback" mode can limit the motor's available torque, which may increase position error and possibly cause a position error fault. 3. Use a larger Aries amplifier, which would be capable of higher current outputs.
E29—Drive Over-voltage	The bus voltage is too high (>410 VDC). Lower the AC Mains voltage and check for excessive regeneration power.

Error Code	Resolution
E3Ø—Drive Under-voltage	The bus voltage is too low (<85 VDC) or there is overly aggressive acceleration or deceleration. Raise the AC Mains voltage.
E31—Bridge Foldback	Drive current was limited to prevent overheating (warning only). See DIFOLD .
E32—Power Regeneration Fault	Check the Regeneration resistor for a short.
E34—Drive Temperature Fault	Wait for the drive to cool down.
E35—Motor Thermal Model Fault	The motor thermal model has determined the motor is too hot. Wait for the motor to cool, and then re-enable the drive.
E36—Motor Temperature Fault	Motor thermal switch has tripped. Wait for the motor to cool, and then re-enable the drive.
E37—Bad Hall State	A problem with the Hall sensors exists. Check the Hall state wiring.
E38-Feedback Failure	Feedback not present or the signal level is incorrect.
E39—Drive Disabled	The drive is disabled.
E4Ø—PWM Not Active	The H-bridge is not switching.
E41—Power Regeneration Warning	The drive regenerated (warning only).
E42—Shaft Power Limited Warning	Shaft power is limited to the rated output to protect the drive (warning only).
E43—Excessive Speed at Enable	The motor was turning too fast when the drive was enabled.
E44—Excessive Position Error	Commanded position. Actual Position is greater than the value set by SMPER .
E45—Excessive Velocity Error	Commanded velocity. Actual Velocity is greater than the value set by SMVER .
E46—Hardware Enable	Ø = Hardware Enable (Drive I/O Pin 1 and 21) 1 = No Hardware Enable
E47—Low Voltage Enable	No motor power was present when the drive was enabled.
E48—Control Power Active	The drive is in Control power mode. No motor power is present.
E49—Alignment Error	The ALIGN command did not complete successfully.
E52—Encoder Read Fault	The drive could not successfully read the motor parameters from the encoder. Check motor wiring.
E-53—User Fault	The drive user fault input was triggered.
E-54—Encoder Loss Fault	The drive could no longer detect the encoder. Check the encoder connections. Check/modify the value of ENCFT or set to zero (Ø) to disable this error.
E55— Network Loss Fault	No update was sent by the EPL network in more than 2 seconds. Check the network cable and controller status.

Table 31 Error Messages

Drive Configuration

Some fault conditions or incorrect motor operation may require changes to the drive configuration. Change the configuration of the drive using ACR-View. (See the ACR EPL controller user guide for details on using ACR-View.)

1. Open a terminal connection to the drive using one of the methods described under “[Terminal Emulator \(Hyper Terminal\)](#)” on page 71.
2. Enter the **CONFIG** command to see a list of drive configuration editors.
3. Enter the **ERROR** command to see a list of drive error messages.



Important! — Further troubleshooting steps can change the drive configuration. Upload the current configuration file and save it as a backup before proceeding.

Smart Encoders

This troubleshooting procedure assumes a terminal emulator connection is established with the drive.

If the drive does not initialize correctly when connected to a Smart Encoder (Parker motors only) , check the following:

1. Verify the motor phases are wired correctly. Incorrectly wired motor phases can produce any combination of the following symptoms in the motor: runs backwards; produces low torque, or gets warm.
2. Check that the feedback cables are wired correctly.
3. Apply power to the drive.
 - a. Send the **SFB** command. It should report 4. If the response is not **<*>4**, then check the feedback cable (if using a non-Parker cable, check that it is correctly wired). If the cable is correctly wired and connected, the problem might be the encoder.
 - b. Send the **THALL** command. It should report a number in the range of 1–6, which indicates the phase wires are connected correctly. If the response is **Ø** or **7**, a fault exists. Check the motor phase wiring.
 - c. Send the **TPE** command and turn the motor shaft. Verify the encoder is counting in the correct direction. Turning the shaft clockwise results in positive encoder counts when **CMDDIR** is set to zero (**Ø**). If not, check the encoder feedback wires and reset the drive.

Hall Sensors

The troubleshooting procedures in this section assume that a terminal emulator connection is established with the drive. The procedures assist you in resolving a Hall fault (**ERROR bit E37-Bad Hall State**). Several problems can cause a Hall fault; the following checklist will help identify these problems.

Troubleshooting Checklist

1. Does **THALL** report either 0 or 7?
If yes, see Problem 1 or 2, below.
2. Does **THALL** change if you move the motor by hand?
If no, see Problem 2, below.
3. Does **THALL** have six distinct Hall states from 1 to 6? (No numerical order is necessary.)
If no, see Problem 2, below.
4. Does **THALL** report the six distinct Hall states *n* times as the rotor turns one revolution, where *n* is equal to the number of pole-pairs (**DPOLE**)? (Linear motors: *n* = pitch)
If no, see Problem 2 or 3, below.
5. Does **THALL** report the Hall state sequence [1, 5, 4, 6, 2, 3, 1...] as the motor turns clockwise? (Clockwise means **TPE** is increasing when **CMDIR** set to zero (**Ø**); it is also the direction the motor turns in **DMODE1**.)
If no, see Problem 4, below.

6. Does **ERROR** report a Hall fault each time the drive is enabled (**DRIVE1**), even though the Hall state sequence is correct?
If yes, see Problem 4, below.
7. Does the Hall fault occur irregularly?
If yes, see Problem 6, below.

Possible Problems

1. No Hall states are seen by the drive.
2. The cable is not connected, or is connected incorrectly (incorrectly wired).
3. **DPOLE** or **DMEPIT** is not set correctly.
4. Either the motor wires or the Hall wires are connected incorrectly.
 - Use Procedure 1 to fix this problem by changing the motor wires.
 - Use Procedure 2 to fix this problem by changing the Hall wires.
5. The Hall wires or the encoder wires may have loose connections, causing intermittent faults.
6. Noise induced on the Hall signals from routing the motor feedback cable next to high-voltage cables (for example, strapped to motor power cables).

Procedure 1—Motor Wires

Use this procedure to connect your *motor wires* to the drive.

1. With the motor's feedback cable connected to the drive, randomly connect two motor power wires and slowly apply a positive voltage with respect to the third. See Figure 39 on page 79.

Note: A variable low voltage (5 to 24V) current limiting (less than continuous current rating of motor) power supply is preferred.



Warning — This procedure could damage the motor. Slowly increase the voltage until the motor moves. Do not exceed the rated current.



Safety Warning — High-performance motion control equipment is capable of producing rapid movement and very high forces. Unexpected motion may occur especially during the development of controller programs. **KEEP WELL CLEAR** of any machinery driven by stepper or servo motors. Never touch any part of the equipment while it is in operation.

2. If **THALL** reports a 1, 2, or 4, change **SHALL** from either 0 to 1 or from 1 to 0. After you change **SHALL**, reset the drive.
3. Repeat step 1 until **THALL** reports a value of 6.
4. The wire on the negative voltage or ground is motor wire W. The two wires at the positive voltage are U and V.

Now there are two possibilities:

- a. Connect the motor wires to the terminals. Operate the drive in **DMODE1**. If the motor does not turn in the clockwise direction, exchange motor wires U and V. Verify that the **CMDDIR** command is set to zero (Ø).
- b. Put positive voltage on motor wire W together with either U or V and put negative voltage or ground on the remaining wire. If **THALL** reports a value of 3, the wire at the negative voltage is V. If **THALL** reports a value of 5, the wire at the negative voltage is U.

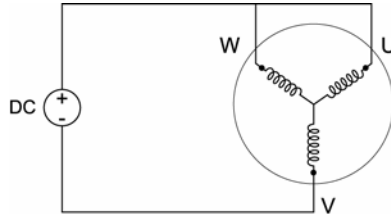


Figure 39 Hall Connection Diagram

Procedure 2—Hall Wires

Use this procedure to connect your *Hall wires* to the drive.

1. First operate the drive in **DMODE1** and verify that the motor turns clockwise. If not, swap any two motor wires.
2. Remove the motor power leads, leaving the feedback cable connected to the drive. Connect motor power wires U and V and slowly apply a positive voltage with respect to W. (See Figure 39.)

Note: A variable low voltage (5-24V) current limiting (less than continuous current rating of motor) power supply is preferred.



Warning — This procedure could damage the motor. Slowly increase the voltage until the motor moves. Do not exceed the rated current.



Safety Warning — High-performance motion control equipment is capable of producing rapid movement and very high forces. Unexpected motion may occur especially during the development of controller programs. **KEEP WELL CLEAR** of any machinery driven by stepper or servo motors. Never touch any part of the equipment while it is in operation.

3. If **THALL** reports a value of 1, 2 or 4, change **SHALL** from either 0 to 1 or from 1 to 0. After you change **SHALL**, reset the drive.
4. Change the Hall wires until **THALL** reports a value of 6.
5. Connect motor wires U and W and slowly apply a positive voltage with respect to V.
6. If **THALL** does not report a value of 3, change Hall wires B and C. If **THALL** reports a value of 3, the wires are connected correctly.

Table 32 on page 80 summarizes phase voltages and their corresponding Hall states. Starting with **SHALLØ** and the phase voltages as shown, the **THALL** command should report the Hall states that match the “Correct”

column. If instead **THALL** reports Hall states that match the “Use **SHALL1**” column, enter **SHALL1** and reset the drive. The Hall states should now match the “Correct” column. For more information, see Figure 40 on page 80.

Phase			Hall State	
U	V	W	Correct	Use SHALL1
-	-	+	1	6
-	+	+	5	2
-	+	-	4	3
+	+	-	6	1
+	-	-	2	5
+	-	+	3	4

Table 32 Configuring Hall Sensors

Figure 40 illustrates the alignment of phases U, V, and W with Halls 1, 2, and 3 as viewed from the front of the shaft. The illustration assumes the following:

- Hall signals that are High equal TRUE signals.
- Hall 1 is the least significant bit (LSB).
- Hall 3 is the most significant bit (MSB).
- There is one hall cycle and one electrical cycle per pole pair on the motor.

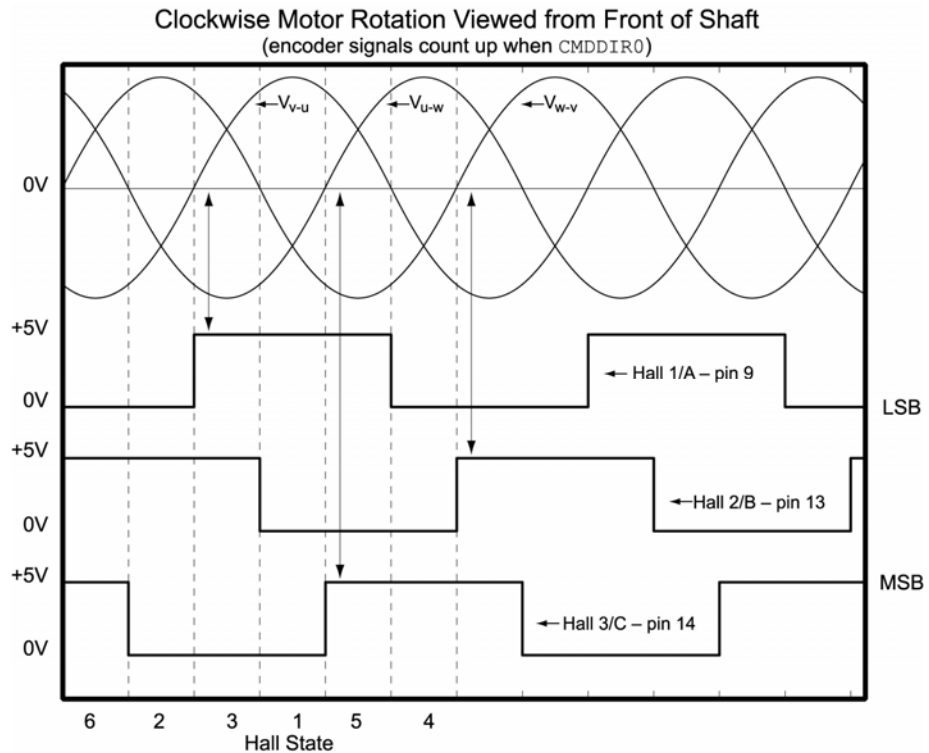
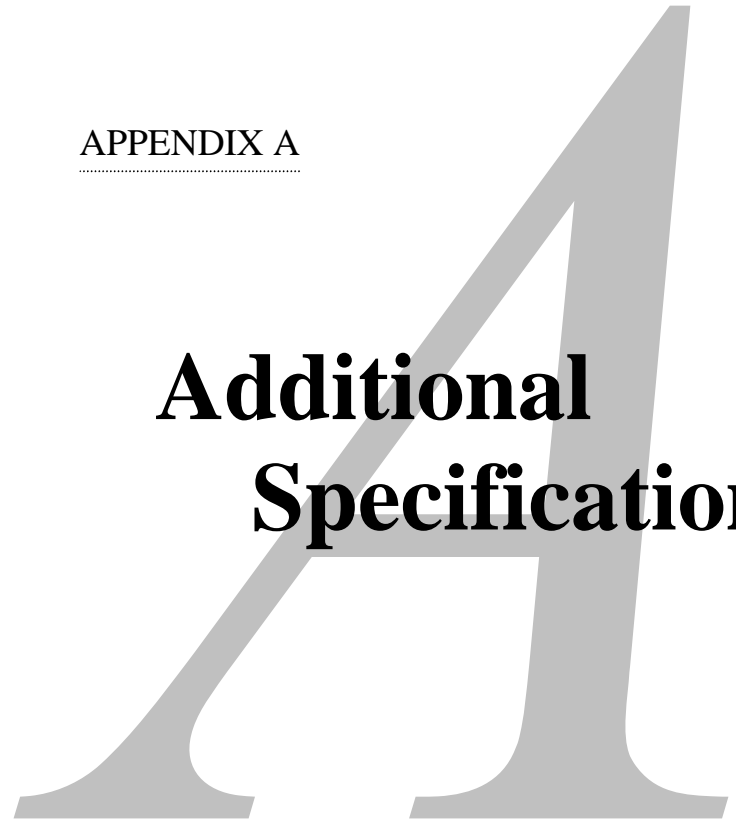


Figure 40 Motor Terminal Voltages (back EMF) and Hall Sensor Signals

APPENDIX A



Additional Specifications

IN THIS CHAPTER	
• Amplifier	82
• Performance	82
• Protective Circuits	83
• Cables	86

Amplifier

Control Power: all models	120/240 VAC Single Phase Mains Control Power
AR-04PE, AR-08PE, and AR-13PE	Single Phase AC Input, 120/240 VAC 16 or 32 kHz switching frequency (motor dependant), pulse-width modulated (PWM) with 3-phase motor output
Current Loop Update Rate	31.25 μ s
Velocity and Position Loop	125 μ s

Performance

Accuracy	± 1 encoder count; encoder dependent
Maximum Pulse Input/Output Frequency	5 MHz (5V TTL Only)

Protective Circuits

Short Circuit Protection

The Aries EPL drive has an internal circuit that protects it from short circuits between one motor terminal to another (phase to phase), or from any motor terminal to earth.

Short Circuit Fault—Cause Phase-to-phase short circuit
Phase-to-earth short circuit

Results of Fault Power to motor is turned off
Drive status word is updated
via EPL to the controller

LED Left	LED Right
Yellow & 1 Green (blinking)	Red

Table 33 LED Short Circuit Fault

Resetting the fault

To clear the latched fault, choose one of the following methods:

- ▶ Cycle power to the drive.
- or—
- ▶ Connect to the controller using ACR-View and issue the **DRIVE RES** command to the appropriate drive.

Drive Over-Temperature Protection

The drive's over-temperature circuit monitors the drive's internal temperature. If the sensors exceed the threshold temperature, the drive issues an over-temperature fault.

Threshold Temperature

AR-04PE, AR-08PE, and AR-13PE 80°C (176°F)

Results of Fault Power to motor is turned off
Drive status word is updated
via EPL to the controller

LED Left	LED Right
Yellow & 3 Green (blinking)	Red

Table 34 LED Drive Over-Temperature Fault

Resetting the Fault

After the internal temperature has dropped below the values shown in Table 35, you can clear the latched fault. There are two methods available:

- ▶ Cycle power to the drive.
- or–
- ▶ Connect to the controller using ACR-View and issue the **DRIVE RES** command to the appropriate drive.

Model	Reset Temperature
AR-04PE, AR-08PE, and AR-13PE	75°C (167°F)

Table 35 Reset Temperature Values

Under-Voltage Protection

The drive's under voltage protection circuit monitors AC input voltage. If the voltage falls below a specific value while the drive is operating, the drive issues an under-voltage fault and turns off power to the motor output terminals (MOTOR connector). This allows the motor to freewheel to a stop.



Warning — When an under-voltage protection fault occurs, the drive disables power to its motor output terminals on the Motor connector. This cuts all control to the motor and allows the load to freewheel to a stop.

Threshold Voltage

AR-04PE, AR-08PE, and AR-13PE Voltage below 70 VAC trips fault

Results of Fault Power to motor is turned off
 Drive status word is updated
 via EPL to the controller

LED Left	LED Right
Yellow	Red

Table 36 LED Under-Voltage Fault

Resetting the Fault

To clear the latched fault, choose one of the following methods:

- ▶ Cycle power to the drive.
- or–
- ▶ Connect to the controller using ACR-View and issue the **DRIVE RES** command to the appropriate drive.

Over-Voltage Protection

The drive's over-voltage circuit protects the drive from excessive regeneration. If the voltage on the motor output terminals rises above the threshold voltage, the drive issues an over-voltage fault and turns off power to the motor output terminals (Motor connector). This allows the motor to freewheel to a stop.



Warning — When an over-voltage protection fault occurs, the drive disables power to its motor output terminals on the Motor connector. This cuts all control to the motor and allows the load to freewheel.

Threshold Voltage

All Models..... 410 VDC

Results of Fault Power to motor is turned OFF
Drive status word is updated
via EPL to the controller

LED Left	LED Right
Yellow & 4 Green (blinking)	Red

Table 37 LED Over-Voltage Fault

Resetting the Fault

To clear the latched fault, choose one of the following methods:

- ▶ Cycle power to the drive.
- or—
- ▶ Connect to the controller using ACR-View and issue the **DRIVE RES** command to the appropriate drive.



Warning — Over-voltage protection monitors only the motor output terminals (DC motor bus). It does not protect against an over voltage on the AC input terminals, which can permanently damage the drive.

Current Foldback

The drive's current foldback circuit helps to protect the drive from damage due to prolonged high currents.

If your Drive is operating above its continuous current rating, see Figure 41 to predict the number of seconds until foldback will occur. For example, the figure shows that at the drive's peak current rating (250% of continuous), foldback will occur after six seconds. After operating at the drive's peak current, the drive will reduce the drive current to 80% of the drive's continuous rating for 60 seconds. This is to ensure the drive's average continuous current rating is not exceeded.

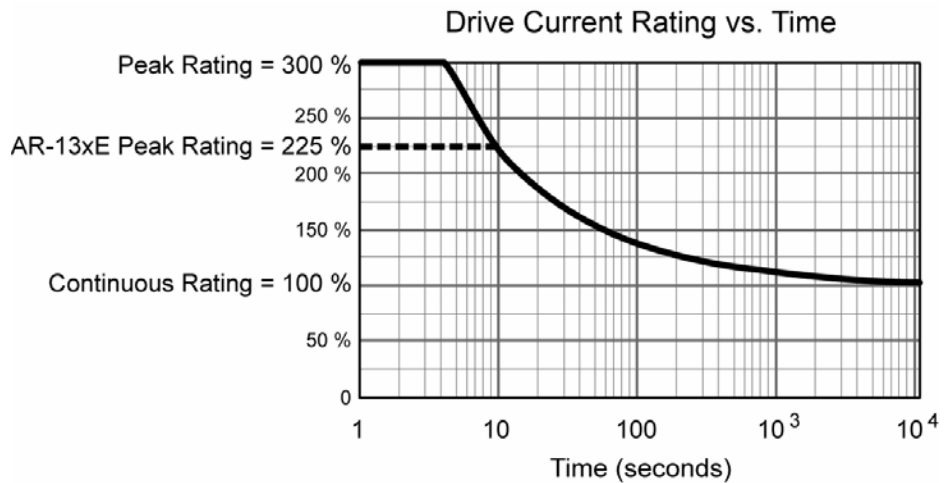


Figure 41 Time until current foldback occurs

Cables

EMC Ready Cables

Many Parker cables are EMC installation ready. If installed according to instructions provided under [“A Highly-Immune, Low-Emission Installation—Meeting the Requirements of the Electromagnetic Compatibility \(EMC\) Directive”](#) on page 105, these cables are designed to aid the user in gaining European Compliance, and are thus an integral part of a CE system solution. EMC cables add RF screening and bonding to reduce emissions, increase immunity, and provide high integrity safety Earth bonding. They also help to reduce problems in high electrical noise environments.

Non-EMC Cables

Parker also offers non-EMC cables, for applications where CE compliance is not required, and where ambient electrical noise does not cause problems. Because these cables are either unshielded, or contain simple foil shielding terminated by a drain wire, they do not provide significant shielding of electrical noise at high frequencies.

APPENDIX B

External Power Dump Resistor Selection

IN THIS CHAPTER

• Simplified Resistor Selection.....	89
• Calculating Resistance—Rotary Motors	90
• Resistor Specifications.....	94
• Calculating Resistance—Linear Motors.....	96
• Resistor Specifications.....	99

External Power Dump Resistor Selection

Deceleration generates excess kinetic and potential energy. You can remove the energy through regeneration—a process where the motor acts as generator. Regeneration allows you to transfer the excess energy from the motor and load back to the power supply.

When the drive and assorted losses cannot remove all the stored kinetic energy, you must connect an external power-dump resistor. Connecting an external power-dump resistor to the drive helps dissipate the excess kinetic and potential energy.

While the drive contains circuitry to control an external power dump resistor, resistor selection depends on the requirements of your particular application.

There are two methods for selecting the appropriate external power-dump resistor:

- “[Simplified Resistor Selection](#)” on the next page provides quick recommendations for Parker drive and motor combinations.
- “Calculating Resistance—Rotary Motors” steps you through the relevant formulas to determine the needs of your particular application.

Note: Both methods assume regeneration occurs during a trapezoidal move.



Important — It is possible to overload a drive or the combination of a drive and power dump resistor.

If at the end of the calculations you find the required resistor is less than allowed for your specific Aries EPL model, or requires a watt rating greater than the rated resistors available, do not use the drive in your application.

Drive models AR-04PE, AR-08PE, and AR-13PE require external resistance values of 22 Ohms or greater.

Simplified Resistor Selection

Many applications do not require a power-dump resistor because the drive can absorb or dissipate the regenerative deceleration energy. However, if a drive faults from over-voltage during a deceleration event, an external power dump resistor is probably required.

Table 38 contains recommended power-dump resistors for specific drive and Parker Hannifin motor combinations. The recommendations are based on the calculations presented in the section titled “Calculating Resistance—Rotary Motors”. These recommendations assume a worst-case load-to-rotor inertia ratio of 10 to 1, maximum duty cycle and maximum deceleration from maximum velocity for that specific motor/drive pairing.

These are recommendations only—while not optimized for your particular application, they will work in most situations.

Drive	AC Voltage	Motor	Resistor Rating (Resistance—Ohms)	Resistor rating (Continuous Power—Watts)	Isotek Part Number
AR-04PE	240	SM233A	47	200	BRM-47R0-10-L ^{2,4}
		BE232D			See note 1
		BE233D			See note 1
		BE233F			See note 1
AR-08PE	120	BE230F			See note 1
		BE231F			See note 1
		BE232F			See note 1
	240	BE341F			See note 1
		BE342H			See note 1
		NO702F	22	300	BRQ-22R0-10-L ^{2,4}
		NO703F	22	300	BRQ-22R0-10-L ^{2,4}
NO704F	22	300	BRQ-22R0-10-L ^{2,4}		
AR-13PE	240	BE344L	22	300	BRQ-22R0-10-L ^{2,3,4}
		MPM1141ASG	22	300	BRQ-22R0-10-L ^{2,3,4}
		SMN1002S2F-KPN	22	300	BRQ-22R0-10-L ^{2,3,4}

1. External power dump resistor not needed. However, higher operating voltage, higher load to rotor inertia ratio, and higher duty cycles can increase the need.
2. Higher friction loads, lower speeds, lower deceleration rates, lower load to rotor inertia ratio, and lower duty cycles can decrease the need for this resistor.
3. Minimum resistance allowed for AR-13 is 22 Ohms, therefore the maximum deceleration rate and/or duty cycle may need to be reduced.
4. Isotek resistor or equivalent

Table 38 Simplified Selection of External Power-Dump Resistor

Calculating Resistance—Rotary Motors

Because there are different types of motion profiles and application specific conditions, you may need to modify the results to suit your particular application. To keep it simple, the formulas assume a trapezoidal move profile, in which the deceleration event is a single constant deceleration to zero (Ø) velocity. For other motion profiles, you can modify the basic concepts presented below.

Calculating the amount of energy to dissipate requires the motion profile parameters, and the motor, drive, and load information. While significantly more information is required, the calculations help tailor the size of power-dump resistor to your application.

This is a multi-step process:

1. Calculate the motor's kinetic energy.
2. Calculate the motor's potential energy—vertical applications only.
3. Calculate the energy that can be absorbed by the drive capacitors
4. Calculate energy dissipated in the motor winding resistance
5. Calculate energy dissipated in load
6. Using the results from the previous four calculations, calculate the amount of energy to dissipate through an external power-dump resistor.

With that result, you can then calculate the resistor necessary to dissipate the excess energy.

Total Kinetic Energy

A body in motion produces energy. To stop motion, that energy must be absorbed or dissipated elsewhere.

That energy can be defined in terms of inertia and velocity.

$$E_K = \frac{1}{2}(J_M + J_L)\omega^2$$

Where

E_K = rotational kinetic energy (Joules)

J_M = rotor inertia in kilogram meter squared (kg·m²)

J_L = load inertia in kilogram meter squared (kg·m²)

ω = rotational speed in radians per sec (1 revolution/sec = 2· π -radians/sec)

Total Potential Energy

A body at rest stores energy relative to the position of the body. When the body moves, the potential energy is released and translated into kinetic energy.

For purely horizontal applications, potential energy is negligible and therefore not necessary for inclusion in your calculations. However, for vertical applications, potential energy can greatly affect the selection of power dump resistor. Regardless whether the incline is gentle or steep, it is important to

calculate the potential energy that must be absorbed or dissipated elsewhere.

$$E_p = mgh$$

Where

- E_p = potential energy (Joules)
- m = mass of forcer and load (kg)
- g = gravitational constant (9.81 m/s²)
- h = vertical height change during deceleration (m)

Energy Absorbed by Drive Capacitors

The drive's capacitors can store energy. With motor deceleration, the drive capacitors absorb some of the kinetic and potential energy. While the capacitors absorb energy, the bus voltage increases. Later, the capacitors release that potential energy in subsequent accelerations, or into typical drive losses.

If too much energy is absorbed by the capacitors, the drive faults from over-voltage. Under these circumstances, an external power dump resistor is required.

That ability to absorb energy can be defined in terms of capacitance and voltage.

$$E_C = \frac{1}{2} C (V_{TRIP}^2 - V_{NOM}^2)$$

Where

- E_C = energy that can be absorbed by the drive capacitors (Joules)
- C = drive capacitance (Farads)
- V_{TRIP} = power dump trip DC voltage (400 VDC)
- V_{NOM} = nominal DC motor voltage (typically AC mains voltage at $\sqrt{2}$; for example, 120 VAC * $\sqrt{2}$ = 170 VDC)

Fortunately, for a given drive the capacitance and voltages are fixed. Table 39 provides the needed information and results from the above calculation.

Drive	Capacitance (uF)	V _{TRIP} (VDC)	E _C (120 VAC) Joules	E _C (240 VAC) Joules
AR-04PE	880	400	57	19
AR-08PE	1100	400	72	24
AR-13PE	1590	400	104	35

When the voltage drops below 385 VDC, the drive stops dissipating power through the power dump resistor.

Table 39 Drive Capacitor Absorption

Energy Dissipated in Motor Winding Resistance

Some energy is dissipated in the motor windings. Because the energy is converted to wasted heat in the motor, it is referred to as *copper losses*.

The energy during deceleration can be derived from the inertia, deceleration rate, motor resistance, and motor torque constant. If some of the parameters are not known, the energy dissipated in the motor windings (E_W) can conservatively be assumed zero (\emptyset).

This is based on current and motor winding resistance.

$$E_W = \frac{1}{2} I^2 R_M \cdot t_D = \frac{1}{2} \cdot \left(\frac{(J_M + J_L) \cdot \omega}{k_T \cdot t_D} \right)^2 \cdot R_M \cdot t_D$$

Where

E_W = energy dissipated in the motor windings (Joules) – copper losses

I = current through the windings (Amps_{rms})

R_M = line to line motor resistance (Ohms)

t_D = deceleration time (Seconds)

J_M = rotor inertia (kg·m²)

J_L = load inertia (kg·m²)

k_T = motor torque constant (Nm/Amp_{rms})

ω = rotational speed in radians per sec (1 revolution/sec = 2· π ·radians/sec)

Energy Dissipated in Load

The load dissipates energy through friction losses, viscous damping, and other motor/load related losses. These losses are known as load losses. If some of the parameters are not known, the energy dissipated in the load (E_L) can conservatively be assumed zero (\emptyset).

This can be derived from the torque required during the constant velocity portion of the move profile, either measured or calculated.

$$E_L = \frac{1}{2} T \omega \cdot t_D$$

Where

E_L = energy dissipated by the load (Joules) – load losses

T = torque at constant velocity (Nm)

ω = rotational speed in radians per sec (1 revolution/sec = 2· π ·radians/sec)

t_D = deceleration time (Seconds)

Energy to Dissipate in the External Power-Dump Resistor

To stop a motor, kinetic and potential energy must go somewhere. Through the previous calculations, you have determined the total kinetic and potential energy, and the energy lost to various paths.

From the total kinetic and potential energy, subtract the energy dissipated through the drive capacitors, motor windings, and load loss. If the copper losses (E_W) or load losses (E_L) are not easily determined, you can conservatively assume they are zero (\emptyset).

The resulting sum represents the power for dissipation in an external power dump resistor.

$$E_R = E_K + E_P - E_C - E_W - E_L$$

Where

E_R = energy to be dissipated in the external resistor (Joules)

E_K = rotational kinetic energy (Joules)

E_P = potential energy (Joules)

E_C = energy that can be absorbed by the drive capacitors (Joules)

E_W = energy dissipated in the motor windings (Joules) – copper losses

E_L = energy dissipated by the load (Joules) – load losses

Resistor Specifications—Rotary Motors

Having determined the amount of energy to dump (E_R), you can then calculate the resistor specifications.

- Maximum resistance
- Peak dissipation
- Average dissipation

Maximum Resistance

This calculation determines the maximum value of resistance needed for the external power-dump resistor. We recommend that you select a lower value resistance, typically in the 22 to 100 ohm range.



Important — It is possible to overload a drive or the combination of a drive and power dump resistor.

If at the end of the calculations you find the required resistor is less than allowed for your specific Aries EPL model, or requires a watt rating greater than the rated resistors available, do not use the drive in your application.

Drive models AR-04PE, AR-08PE, and AR-13PE require external resistance values of 22 Ohms or greater.

$$R_R = \frac{V}{I} = \frac{V_{TRIP} \cdot k_T \cdot t_D}{(J_M + J_L) \cdot \omega}$$

Where

R_R = maximum external power dump resistance (Ohms)

V = voltage across the resistor (V_{TRIP})

I = current through the resistor (drive current required to decelerate the load)(Amps_{rms})

V_{TRIP} = power dump trip DC voltage (400 VDC)

k_T = motor torque constant (Nm/Amp_{rms})

J_M = rotor inertia (kg·m²)

J_L = load inertia (kg·m²)

t_D = deceleration time (Seconds)

ω = rotational speed in radians per sec (1 revolution/sec = $2 \cdot \pi$ ·radians/sec)

Peak Dissipation

During a single deceleration, all the calculated power-dump energy (E_R) must dissipate in the external resistor. The external power-dump resistor then slowly dissipates that energy as heat. This peak power must not exceed the capabilities of the resistor, which is typically 10 times the average power rating.

$$P_{PEAK} = \frac{E_R}{t_D}$$

Where

P_{PEAK} = peak power into the external power dump resistor (Watts)

E_R = energy to be dissipated in the external resistor (Joules)

t_D = deceleration time (Seconds)

Average Dissipation

Repetitive moves need to dump the energy each time the deceleration occurs. The duty cycle of this repetition determines the average power the resistor must dissipate. This average power must not exceed the capabilities of the resistor.

Power resistors are rated based on ideal heatsink and airflow conditions, and are therefore often over-rated by the manufacturers. To ensure the average energy dissipation of the resistor exceeds the average power dump for the application, the regenerative power should never exceed 50% of the resistor's average power rating.

$$P_{AVG} = P_{PEAK} \cdot \frac{t_D}{t_C}$$

Where

P_{AVG} = average power into the external power dump resistor (Watts)

P_{PEAK} = peak power into the external power dump resistor (Watts)

t_D = deceleration time (Seconds)

t_C = cycle time or time between each deceleration event (Seconds)



Important — Under normal operation the external power-dump resistor could operate in excess of 200 °C. Keep the resistor away from thermally sensitive components, such as cables or plastic hardware.

Proper installation may require the use of thermal compound and proper thermal connection to a heat absorbing metal surface.

Calculating Resistance—Linear Motors

Because there are different types of motion profiles and application specific conditions, you may need to modify the results to suit your particular application. To keep it simple, the formulas assume a trapezoidal move profile, in which the deceleration event is a single constant deceleration to zero (Ø) velocity. For other motion profiles, you can modify the basic concepts presented below.

Calculating the amount of energy to dissipate requires the motion profile parameters, and the motor, drive, and load information. While significantly more information is required, the calculations help tailor the size of power-dump resistor to your application.

This is a multi-step process:

1. Calculate the motor's kinetic energy.
2. Calculate the motor's potential energy—vertical applications only.
3. Calculate the energy that can be absorbed by the drive capacitors
4. Calculate energy dissipated in the motor winding resistance
5. Calculate energy dissipated in load
6. Using the results from the previous four calculations, calculate the amount of energy to dissipate through an external power-dump resistor.

With that result, you can then calculate the resistor necessary to dissipate the excess energy.

Total Kinetic Energy

A body in motion produces energy. To stop motion, that energy must be absorbed or dissipated elsewhere.

That energy can be defined in terms of mass and velocity.

$$E_K = \frac{1}{2}(M_F + M_L)v^2$$

Where

E_K = rotational kinetic energy (Joules)

M_F = mass of forcer in kilograms (kg)

M_L = mass of load in kilograms (kg)

v = velocity in meters per second (m/s)

Total Potential Energy

A body at rest stores energy relative to the position of the body. When the body moves, the potential energy is released and translated into kinetic energy.

For purely horizontal applications, potential energy is negligible and therefore not necessary for inclusion in your calculations. However, for vertical applications, potential energy can greatly affect the selection of power dump resistor. Regardless whether the incline is gentle or steep, it is important to calculate the potential energy that must be absorbed or dissipated elsewhere.

$$E_p = mgh$$

Where

E_p = potential energy (Joules)

m = mass of forcer and load (kg)

g = gravitational constant (9.81 m/s²)

h = vertical height change during deceleration (m)

Energy Absorbed by Drive Capacitors

The drive's capacitors can store energy. With motor deceleration, the drive capacitors absorb some of the kinetic and potential energy. While the capacitors absorb energy, the bus voltage increases. Later, the capacitors release that potential energy in subsequent accelerations, or into typical drive losses.

If too much energy is absorbed by the capacitors, the drive faults from over-voltage. Under these circumstances, an external power dump resistor is required.

That ability to absorb energy can be defined in terms of capacitance and voltage.

$$E_C = \frac{1}{2}C(V_{TRIP}^2 - V_{NOM}^2)$$

Where

E_C = energy that can be absorbed by the drive capacitors (Joules)

C = drive capacitance (Farads)

V_{TRIP} = power dump trip DC voltage (400 VDC)

V_{NOM} = nominal DC motor voltage (typically AC mains voltage at $\sqrt{2}$;

for example, 120 VAC * $\sqrt{2}$ = 170 VDC)

Fortunately, for a given drive the capacitance and voltages are fixed. Table 40 provides the needed information and results from the above calculation.

Drive	Capacitance (uF)	V _{TRIP} (VDC)	E _C (120 VAC) Joules	E _C (240 VAC) Joules
AR-04PE	880	400	57	19
AR-08PE	1100	400	72	24
AR-13PE	1590	400	104	35

Note: When the voltage drops below 385 VDC, the drive stops dissipating power through the power dump resistor.

Table 40 Drive Capacitor Absorption

Energy Dissipated in Motor Winding Resistance

Some energy is dissipated in the motor windings. Because the energy is converted to wasted heat in the motor, it is referred to as *copper losses*.

The energy during deceleration can be derived from the mass, deceleration rate, motor resistance, and motor force constant. If some of the parameters are not known, the energy dissipated in the motor windings (E_W) can conservatively be assumed zero (\emptyset).

This is based on current and motor winding resistance.

$$E_W = \frac{1}{2} I^2 R_M \cdot t_D = \frac{1}{2} \cdot \left(\frac{(M_F + M_L) \cdot v}{k_F \cdot t_D} \right)^2 \cdot R_M \cdot t_D$$

Where

E_W = energy dissipated in the motor windings (Joules) – copper losses

I = current through the windings (Amps_{rms})

R_M = line to line motor resistance (Ohms)

t_D = deceleration time (Seconds)

M_F = mass of forcer in kilograms (kg)

M_L = mass of load in kilograms (kg)

k_F = motor force constant (N/Amp_{rms})

Energy Dissipated in Load

The load dissipates energy through friction losses, viscous damping, and other motor/load related losses. These losses are known as load losses. If some of the parameters are not known, the energy dissipated in the load (E_L) can conservatively be assumed zero (\emptyset).

This can be derived from the force required during the constant velocity portion of the move profile, either measured or calculated.

$$E_L = \frac{1}{2} F \cdot v \cdot t_D$$

Where

E_L = energy dissipated by the load (Joules) – load losses

F = force at constant velocity in Newtons (N)

v = velocity in meters per second (m/s)

t_D = deceleration time (Seconds)

Energy to Dissipate in the External Power-Dump Resistor

To stop a motor, kinetic and potential energy must go somewhere. Through the previous calculations, you have determined the total kinetic and potential energy, and the energy lost to various paths.

From the total kinetic and potential energy, subtract the energy dissipated through the drive capacitors, motor windings, and load loss. If the copper losses (E_W) or load losses (E_L) are not easily determined, you can conservatively assume they are zero (\emptyset).

The resulting sum represents the power for dissipation in an external power dump resistor.

$$E_R = E_K + E_P - E_C - E_W - E_L$$

Where

E_R = energy to be dissipated in the external resistor (Joules)

E_K = rotational kinetic energy (Joules)

E_P = potential energy (Joules)

E_C = energy that can be absorbed by the drive capacitors (Joules)

E_W = energy dissipated in the motor windings (Joules) – copper losses

E_L = energy dissipated by the load (Joules) – load losses

Resistor Specifications—Linear Motors

Having determined the amount of energy to dump (E_R), you can then calculate the resistor specifications.

- Maximum resistance
- Peak dissipation
- Average dissipation

Maximum Resistance

This calculation determines the maximum value of resistance needed for the external power-dump resistor. We recommend that you select a lower value resistance, typically in the 22 to 100 ohm range.



Important — It is possible to overload a drive or the combination of a drive and power dump resistor.

If at the end of the calculations you find the required resistor is less than allowed for your specific Aries EPL model, or requires a watt rating greater than the rated resistors available, do not use the drive in your application.

Drive models AR-04PE, AR-08PE, and AR-13PE require external resistance values of 22 Ohms or greater.

$$R_R = \frac{V}{I} = \frac{V_{TRIP} \cdot k_F \cdot t_D}{(M_F + M_L) \cdot v}$$

Where

R_R = maximum external power dump resistance (Ohms)

V = voltage across the resistor (V_{TRIP})

I = current through the resistor (drive current required to decelerate the load)(Amps_{rms})

V_{TRIP} = power dump trip DC voltage (400 VDC)

k_F = motor force constant (N/Amp_{rms})

M_F = mass of forcer in kilograms (kg)

M_L = load mass in kilograms (kg)

t_D = deceleration time (Seconds)

v = velocity in meters per second (m/s)

Peak Dissipation

During a single deceleration, all the calculated power-dump energy (E_R) must dissipate in the external resistor. The external power-dump resistor then slowly dissipates that energy as heat. This peak power must not exceed the capabilities of the resistor, which is typically 10 times the average power rating.

$$P_{PEAK} = \frac{E_R}{t_D}$$

Where

P_{PEAK} = peak power into the external power dump resistor (Watts)

E_R = energy to be dissipated in the external resistor (Joules)

t_D = deceleration time (Seconds)

Average Dissipation

Repetitive moves need to dump the energy each time the deceleration occurs. The duty cycle of this repetition determines the average power the resistor must dissipate. This average power must not exceed the capabilities of the resistor.

Power resistors are rated based on ideal heatsink and airflow conditions, and are therefore often over-rated by the manufacturers. To ensure the average energy dissipation of the resistor exceeds the average power dump for the application, the regenerative power should never exceed 50% of the resistor's average power rating.

$$P_{AVG} = P_{PEAK} \cdot \frac{t_D}{t_C}$$

Where

P_{AVG} = average power into the external power dump resistor (Watts)

P_{PEAK} = peak power into the external power dump resistor (Watts)

t_D = deceleration time (Seconds)

t_C = cycle time or time between each deceleration event (Seconds)



Important — Under normal operation the external power-dump resistor could operate in excess of 200 °C. Keep the resistor away from thermally sensitive components, such as cables or plastic hardware.

Proper installation may require the use of thermal compound and proper thermal connection to a heat absorbing metal surface.

APPENDIX C

Regulatory Compliance UL and CE

IN THIS CHAPTER

• System Installation Overview	103
• General Safety Considerations	103
• General EMC Considerations	103
• Installing the Drive.....	104
• Regulatory Agencies	112
• Standards of Compliance.....	112

System Installation Overview

This appendix contains information related to installation methods and practices that can be used to aid the systems integrator or machine builder in designing a compliant installation, meeting the needs of global regulatory agencies.

The installation overview is divided into two general sections—Safety and Electromagnetic Compatibility (EMC).

It is recommended that the installer *read this entire overview* prior to taking any action, as some of the required installation methods can be leveraged across both Safety and EMC installations.

Although this product is technically considered a motion control component and is therefore not within the scope of the European Union's CE (Conformité Européenne) directives, Parker has taken the initiative to provide its customers with easy-to-integrate motion control products that meet global requirements.

The following information describes the measures typically required to install this product in a CE compliant system. Additional installation measures may be required at some locations. The machine builder has the ultimate responsibility for machine compliance.

General Safety Considerations

This drive is intended for installation according to the appropriate safety procedures, including those laid down by the local supply authority regulations. The recommendations provided in this guide are based on the requirements of the Low Voltage Directive and specifically on EN61010. Remember, never compromise safety to achieve EMC compliance. Therefore, in the event of a conflict between safety regulations and the following EMC recommendations, *safety regulations always take precedence*.

General EMC Considerations

This drive is a motion control component, and as such, will be built in to another machine that will in turn be required to comply with the relevant directives of the marketplace.

It is important to remember that for specific installations, the full protection requirements of the EMC directive 89/336/EEC need to be met before the system is taken in to service. This must be verified either by inspection or by testing. The following EMC installation recommendations are intended to assist in ensuring that the requirements of the EMC directive are met. It may be necessary to take additional measures in certain circumstances and at specific locations.

It should be stressed that although these recommendations are based on the expertise acquired during the design and development of the drive, and on tests carried out on similar products, it is impossible for Parker to guarantee compliance of any particular installation. This will be strongly influenced by the physical and electrical details of the installation and the performance of other system components. Nevertheless, it is important to follow *all* the installation recommendations if an adequate level of compliance is to be achieved.

Installing the Drive

Only qualified, skilled electrical technicians familiar with local safety requirements should install this product. For service, the drive must be returned to an authorized service center. There are no user serviceable parts inside the chassis. In certain circumstances, opening the cover may void the product warranty.

The drive is a vented product. To prevent material spilling into the drive, mount it under an overhang or in a suitable enclosure.

This drive is made available under “Restricted Distribution” for use in the “Second Environment” as described in EN 61800-3 1996, page 9. This means only those individuals familiar with the EMC requirements of power drive systems should install this product and that this product is designed for connection to mains distribution networks other than low-voltage networks, which may supply domestic premises. The product can tolerate atmospheric pollution degree 2, which means only dry, non-conductive pollution is acceptable.

The Aries EPL drive has been shown to meet the requirements of both the European LVD & EMC directives when installed according to the recommendations given within this section. It is recommended the drive be installed in an enclosure to protect it from atmospheric and industrial process contaminants and to prevent operator access while it has power applied. Metal equipment cabinets are ideally suited for housing the equipment since they can provide operator protection, EMC screening, and can be fitted with interlocks arranged to remove all hazardous motor and drive power when the cabinet door is opened. Do not arrange interlocks to open circuit the motor phase connections while the system is still powered, as this could cause damage to the drive.

Precautions

During installation, take the normal precautions against damage caused by electrostatic discharges. Wear earth wrist straps. A switch or circuit breaker must be included in the installation, which must be clearly marked as the disconnecting device and should be within easy reach of the machine operator.

The drive has exposed high voltage terminals. In order to comply with the safety requirements pertaining to European Compliance, and other authorities, the drive must be mounted in such a way as to restrict access to these terminals during normal operation.

A Safe Installation—Meeting the Requirements of the Low Voltage Directive (LVD)

In order to comply with the requirements of the European Union’s Low Voltage Directive, the following installation measures must be taken.

- *Mains fuses must* be installed on all mains input lines carrying operating current. For more information, see “[Motor Power Fuse Information](#)” on page 21 and page 24.
- Drive Protective Earth Conductor must be connected directly to a reliable system safety Earth point. Total resistance from the drive’s Protective Conductor Terminal to a Reliable System Safety Earth must

not exceed 0.1 Ohm, and must be capable of carrying 25A of Fault Current.

- Motor Safety Earth Conductor (for motor voltages greater than or equal to 75 volts) must be connected to the drive's Motor Earth terminal, marked with \perp .
- The drive must be installed in a manner that prevents operator access to hazardous, live terminals during normal operation.

Additional safety measures may be required within your particular market, please consult you local regulatory agency for additional requirements.

A Highly-Immune, Low-Emission Installation—Meeting the Requirements of the Electromagnetic Compatibility (EMC) Directive

The following information was compiled to aid the machine builder or systems integrator in gaining EMC compliance. For effective control of Conducted and Radiated Emissions, along with maximizing the drive's inherent noise immunity, the following recommendations should be followed:

- Mount the drive and all components to a common, clean (not painted), earthed, metal panel.



Important! — To reduce the risk of electrical noise entering your system, you must properly earth ground the enclosure and remove all paint and other non-conductive surface coatings from the panel mounting surface and RF earth bonding locations.

- If you mount the drive in an equipment cabinet, *terminate cable braids (screens) as they enter the enclosure*. This can be easily accomplished using the “additional EMC installation hardware” shown Figure 43 on page 110.

There is only one exception: *the motor braid must return to the drive's R-clamp* (located on the bottom of the drive—see Figure 43 on page 110). *Do not* return the motor braid to any other location; its function is to return high-frequency chopping current back to the drive. This may require mounting the connector on a sub-panel insulated from the main cabinet or using a connector having an insulated internal screen from the connector housing.

The shields of all other cables that enter or exit the enclosure must be RF-bonded to the enclosure entrance point using an R-clamp, bulkhead clamshell clamp, or other 360° bonding technique. This ensures that no stray noise will enter or exit the enclosure. Figure 42 on page 106 illustrates 360° bonding techniques.

There must be no break in the 360° coverage that the screen provides around the cable conductors.

All braid termination connections must remain secure. For small diameter cables, it may be necessary to fold back the braid or add additional conductive material, such as conductive, adhesive, copper tape to increase the effective diameter of the cable so that R-clamps are secure.

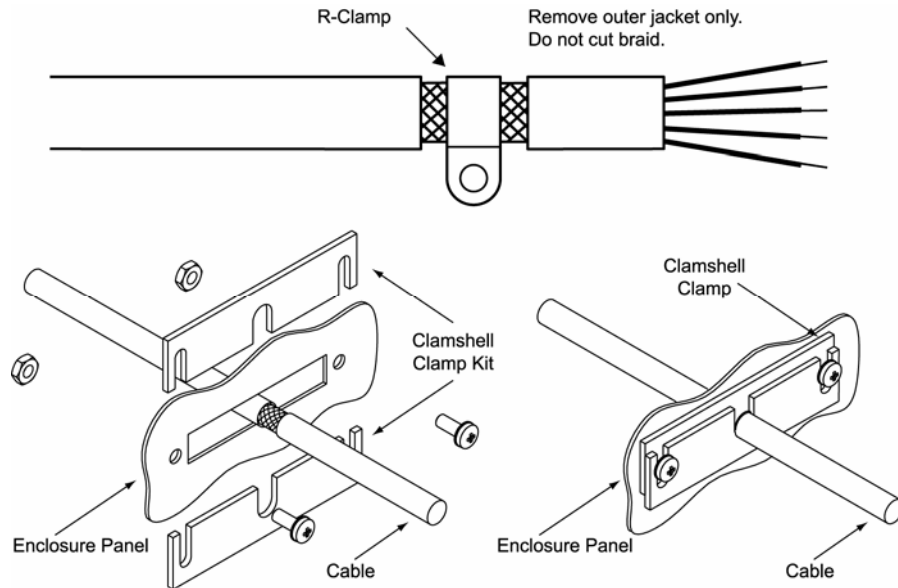


Figure 42 360° Bonding Techniques

- Within the cabinet itself, all the motor cables should lie in the same trunking as far as possible. Keep the cables separate from any low-level control signal cables. This applies particularly where the control cables are unshielded and run close to the drive.
- A steel equipment cabinet will screen radiated emissions provided all panels are bonded to a central earth point. Separate earth circuits are commonly used within equipment cabinets to minimize the interaction between independent circuits. A circuit switching large currents and sharing a common earth return with another low-level signal circuit could conduct electrical noise into the low level circuit, thereby possibly interfering with its operation. For this reason, so called 'dirty earth' and 'clean earth' circuits may be formed within the same cabinet, but all such circuits will eventually need to be returned to the cabinet's main star earth point.
- Mount the individual drives and EMC filter on a metal earth plane. The earth plane will have its own individual star point earth that should be hard wired (using an insulated copper conductor) back to the cabinet's 'clean earth' connection point.
- Panel mounting can provide a similar measure of EMC performance if strict attention is paid to cable screen termination and cable layout.



Important! — Ensure that all cable shields are properly terminated at both ends of the cable, utilizing 360 degrees of termination either within a metallic connector shell (preferred) or with an R-clamp terminating the shield to Earth ground as close as possible to the end of the cable. In any installation, improperly terminated cable shields will lead to problematic operation in the form of hardware, software, and communication lock-ups and intermittent functioning.

Follow these requirements for mains power connections:

- Install transient suppressors.

Single Phase Input

You must install varistors or other voltage surge-limiting devices in order to meet the requirements of EN61000-4-5. Place a Littelfuse V275LA2ØC, or equivalent varistor, from line to line and from lines to earth before the mains filter, as shown in the *EMC Installation* drawings.

Note: Intersil, General Electric, and Littelfuse manufacture equivalent varistors.

- Use an EMC-ready motor or a motor that has demonstrated acceptable EMC performance.

Motors with shielded cabling or pipe thread style cabling options allow the easiest integration into machines required to bear the CE mark for EMC.

Note: Motors may bear the CE mark. This mark indicates the motor meets the requirements of construction and safety—*not EMC compliance*.

- Use shielded cabling with braided and bonded headshells. Use of Parker CE/EMC-compliant cables is recommended—they are fully shielded and provide the required screening. Parker cabling requires no additional cable preparation.

All motor connections must be made using a high quality braided-screen cable. Cables using a metalized plastic bandage for an earth screen are unsuitable and in fact provide very little screening. Care must be taken when terminating the cable screen, the screen itself is comparatively fragile; bending it round a tight radius can seriously affect the screening performance. The selected cable must have a temperature rating that is adequate for the expected operating temperature of the motor case.

All cables must maintain high-integrity 360° shielding. *Do not* use drain wires to terminate shields. If shields cannot be properly terminated within the connector shell, utilize a conductive R-clamp to terminate the shield to chassis ground as close to the cable end as possible. This requires carefully exposing ½ to ¾ inch of the cable shields as shown in Figure 42 on page 106.

When you install limit switches and other inputs/outputs, you must observe these same noise immunity procedures and practices.

- Route cables as shown in Figure 43 on page 110.

Route high power cables (motor and mains) at right angles to low power cables (communications and inputs/outputs). Never route high and low power cables parallel to each other.

Mount filters close to the drive and keep the supply wiring as short as practical. Attempt to layout the wiring in a way that minimizes cross coupling between filtered and non-filtered conductors. This means avoiding running wires from the output of a filter close to those connected to its input. Where you wish to minimize the cross coupling between wires avoid running them side-by-side one another, if they must cross, cross them at 90° to each other. Use cable fasteners to keep wiring supported and close to cabinet metalwork.

- Cables may require the use of ferrite core suppressors.

Some installations may require that you take additional EMC measures. To further increase product immunity and reduce product emissions, you may add clip-on ferrite absorbers to all cables. Parker recommends ferrites with at least 200 ohm impedance at 100 MHz, such as the following:

Make	Part Number
Steward Ferrite	28A2024
Fair-Rite	0443164151
Note: These ferrites are also available from Parker Hannifin, part number 47-015956-01. For larger diameter cables (up to 0.722 in O.D.), Fair-Rite part number 0444176451 is recommended.	

Table 43 Ferrite Core Suppressors

- Your Installation may require additional EMC installation hardware (as shown in illustrations).

The following clamp kits are available from Parker:

Clamp Type	Parker Part Number
R-Clamp Kit (10 per)	R CLAMP KIT
Clamshell Clamp Kit (2 per)	CLAMSHELL KIT

Table 44 Enclosure Mounting Clamps

Note: The Control power input also requires a mains power line filter, varistors, and fuses in order to comply with the relevant CE directives.

Panel Installation—All Models

Figure 43 illustrates a typical panel installation of the drive that meets LVD and EMC requirements.

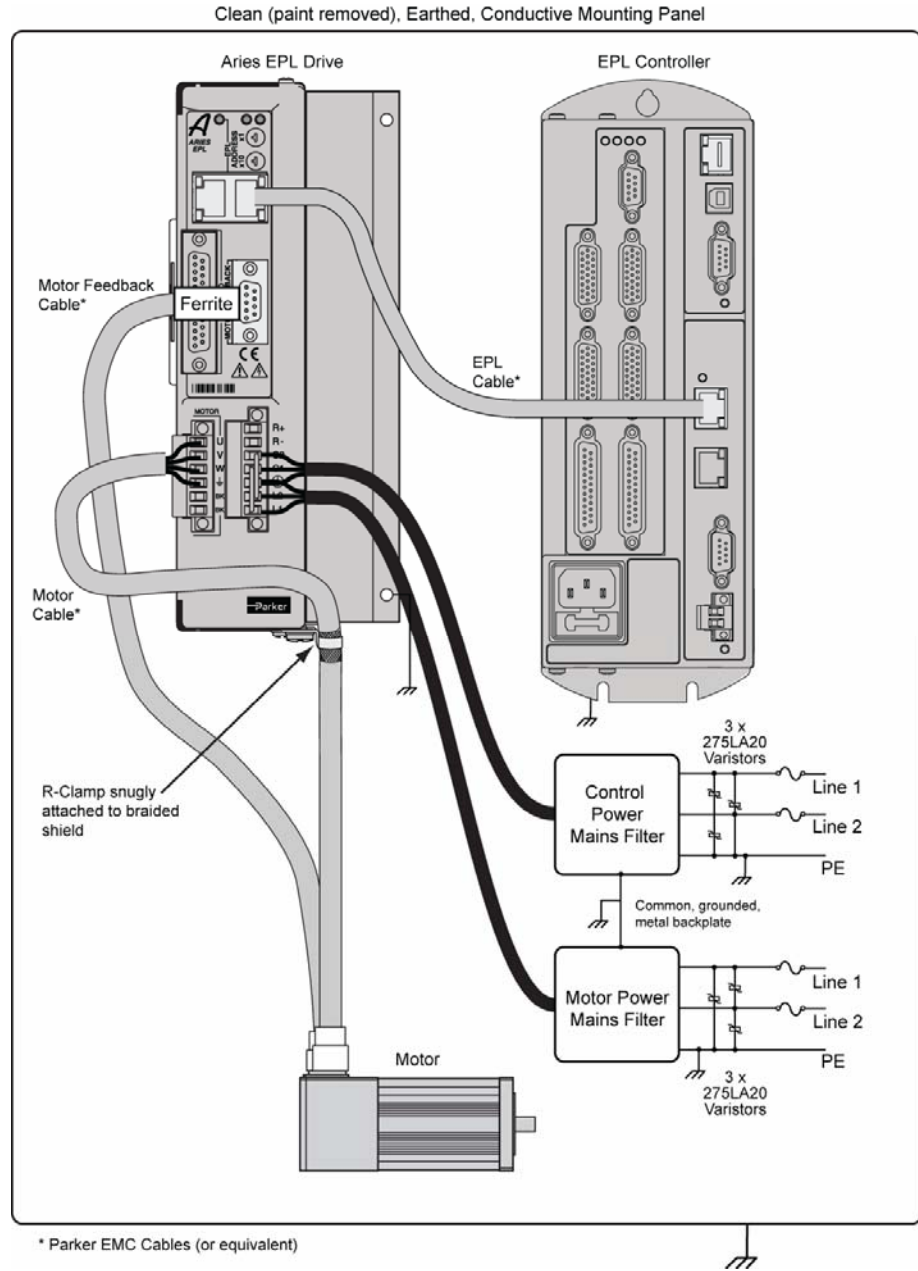


Figure 43 Typical LVD/EMC Installation



Warning — This product has been developed for industrial environments. Due to exposed high voltage terminals, this product must not be accessible to users while under normal operation.

Panel Mounting

The mounting clearance requirements are the same for all drive models, as shown in Figure 44.

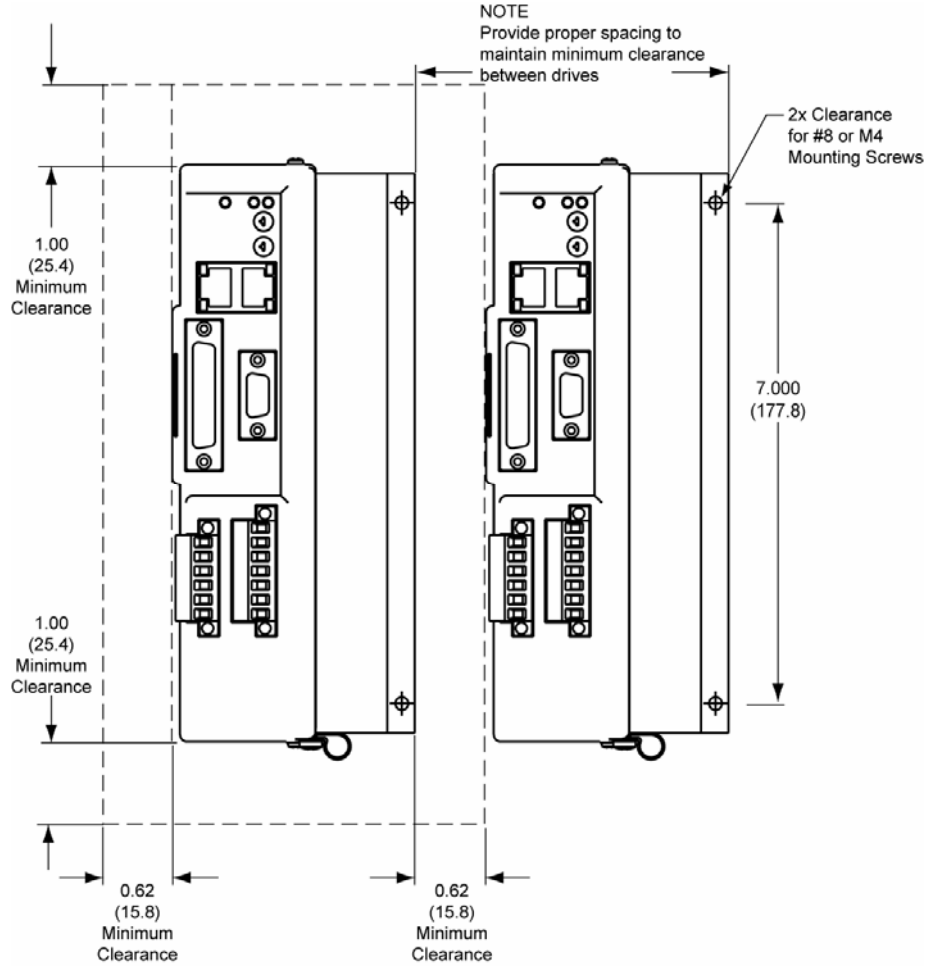


Figure 44 Panel Layout Dimensions

Regulatory Agencies

The Aries EPL drives are designed to meet the requirements of global regulatory agencies. The drives have shown compliance with the regulatory agencies in the following list. The list also shows additional steps that must be taken to ensure compliance.

Agency	Additional Steps User Must Take
UL,	Mains fuses
CE (LVD)	Mains fuses; earth connection for drive and motor (if applicable), proper installation
CE (EMC)	Varistors, mains filter, EMC cabling, EMC ready motor, proper installation

Table 45 Regulatory Agencies

Standards of Compliance

UL	508C	
CE for LVD	73/23/EEC	
	BS EN 61010-1 (1993) including Amendment A2.	Safety requirements for electrical equipment for measurement, control, and laboratory use. Part 1. General Requirements.
CE for EMC	89/336/EEC	
	BS EN 61800-3 (1997) including Amendment A11	Adjustable speed electric power drive systems Part 3. EMC product standard including specific test methods.
	BS EN 50081-2 (1994) Electromagnetic compatibility	Generic emission standard Part 2. Industrial Environment.
	BS EN 61000-6-2 (1999) Electromagnetic compatibility Part 6-2: Generic Standards	Immunity for industrial environments.

APPENDIX D

Servo Tuning Flow Diagram

IN THIS CHAPTER

- Appendix D Servo Tuning Flow Diagram 113

Servo Tuning Flow Diagram

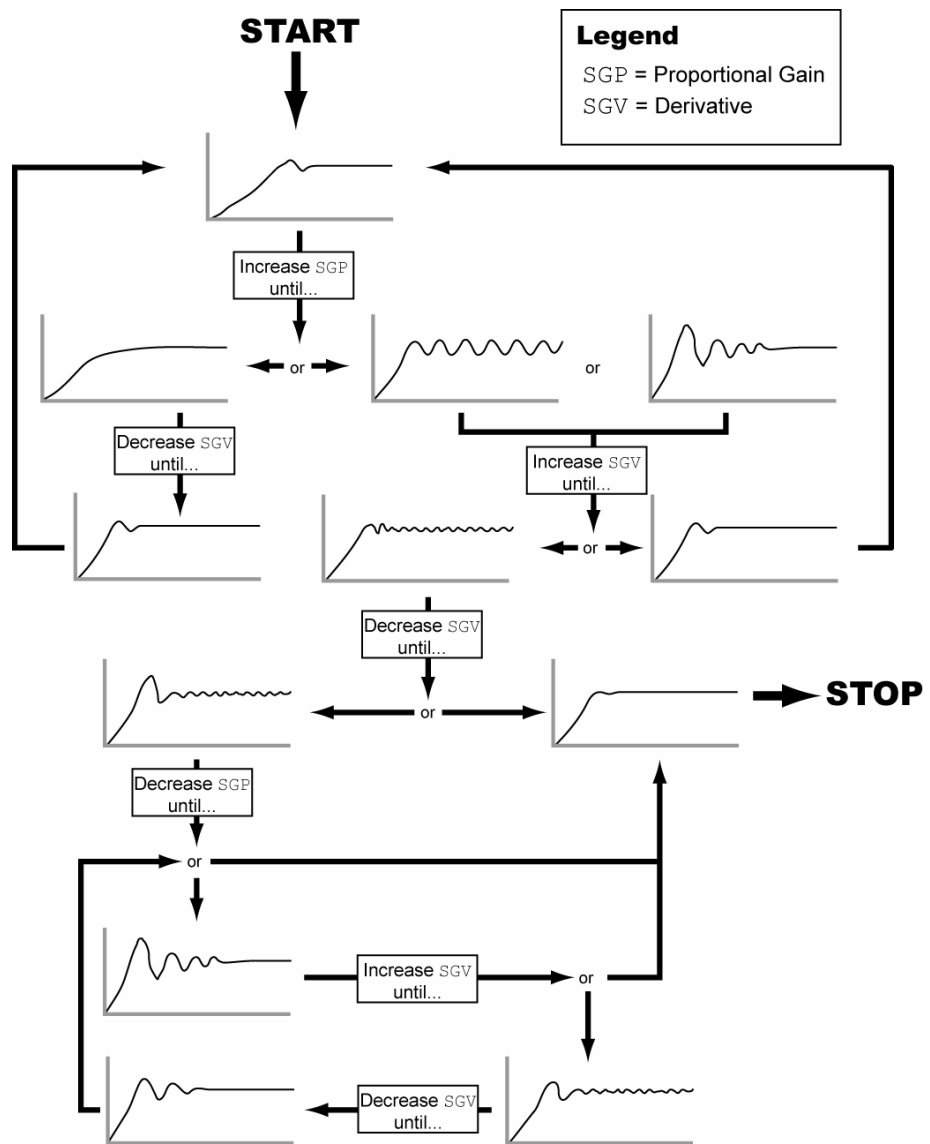


Figure 45 Servo Tuning Flow Diagram

APPENDIX E

VM25 Expansion Module

IN THIS CHAPTER

- Overview 116

Overview

The VM25 provides screw-terminal connections for the I/O on the 25-pin connectors, which are the “TRIGGERS/OUTPUTS” and “LIMITS/HOME” connectors. The VM25 comes with a 2-foot cable that provides easy connection between the VM25 and the drive’s 25-pin connector. The VM25 is ordered separately (part number is “VM25”).

Notes

- The VM25 module ships with DIN-rail mounting clips installed.
- The overall cabinet depth with cable-bend radius is 5 inches (127 mm).

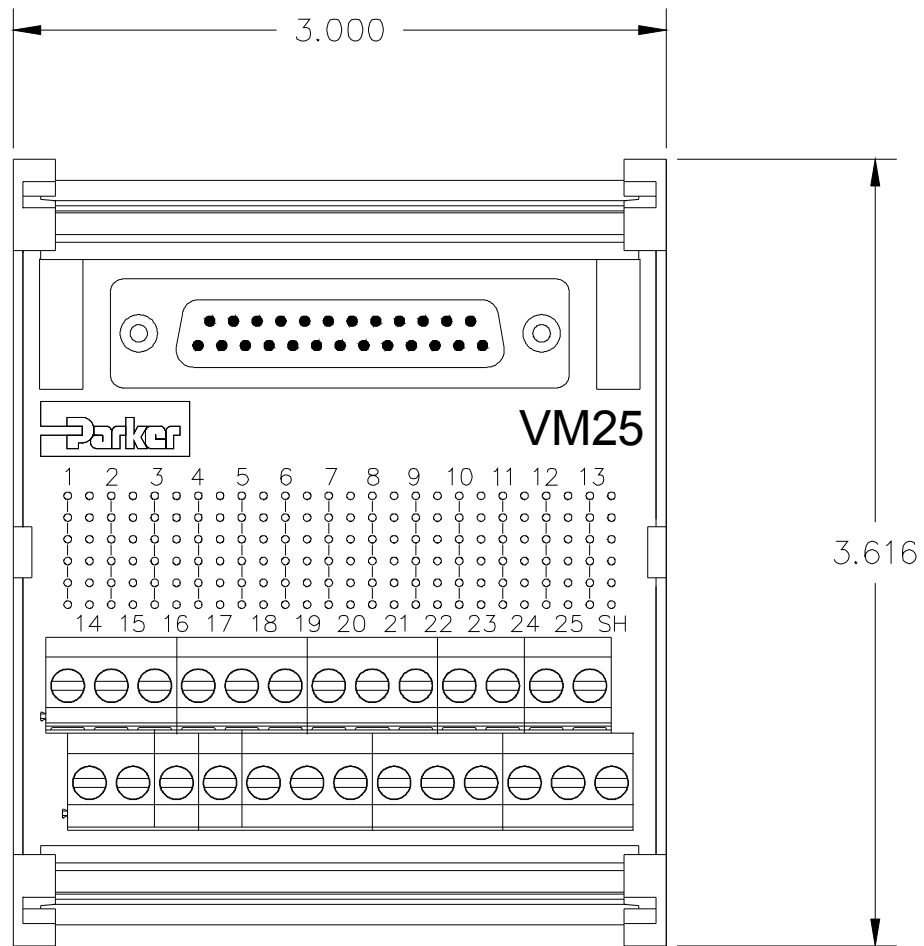


Figure 46 VM25 Expansion Module

APPENDIX F

Ethernet Powerlink Communications

IN THIS CHAPTER

Introduction to ETHERNET Powerlink..... 118

Introduction to ETHERNET Powerlink

Ethernet PowerLink (EPL) is an open standard communication profile for real time Ethernet. It was developed to achieve the timing and performance required in automation and motion control applications. EPL uses standard Ethernet for the data link layer, but imposes timing rules for all members of an EPL network—rules that prevent collisions and ensure precise periodic data exchange.

EPL Cycles and Nodes

A member of an EPL network is called a node. There may be one managing node (MN) and up to 239 controlled nodes (CN) in an EPL network. (In a network formed with an ACR9000 series EPL controller as the MN, the number of CNs is limited to 16.) As the names imply, the MN starts and stops the network, and initiates all communication. Controlled nodes respond to requests from the MN. All communication takes place periodically within an EPL cycle.

An EPL cycle has two portions, the isochronous and the asynchronous. The isochronous portion consists of request/response pairs between the MN and each CN. All periodic data transfer takes place during this portion. The asynchronous portion is devoted to other types of communication between nodes, including standard TCP/IP and UDP. This portion allows non-EPL related communication to take place during the EPL cycle.

The precision and synchronization of EPL is established by the precision of the EPL cycle period, for example, 500 microseconds with 1 microsecond jitter. The collision prevention is established by the request/response agreement between MN and CN. The timing precision of the individual request/response pairs is not critical, as long as all required communication takes place before the end of an EPL cycle.

EPL Node ID

Each node on an EPL network has a unique node ID. The MN always has the ID 240, whereas the IDs of the CN nodes may be between 1 and 239. It is the node ID that allows the internal EPL firmware to identify whether a node is an MN or a CN. In general, a node that can be a CN has external switches to set the node ID. The ID value of 254 identifies a node as an EPL gateway. EPL gateways are special nodes that allow communication between external networks and an EPL network. Their use is not required by the controller and is beyond the scope of this document.

EPL IP Addresses

An EPL network is a private class C network with Net ID 192.168.100.0. The first 3 octets are always 192.168.100 for all EPL nodes. The node ID of an individual node is the last octet of the EPL IP address of that node. For example, if an EPL drive has the address of 110 on its switch settings, its IP address is 192.168.100.110. The correlation of node ID with network IP is required, because EPL uses TCP/IP as part of the protocol.

The EPL IP address is not related in any way to the standard IP address given with the IP command.

EPL and CANopen Standards

The ETHERNET Powerlink V2.0 draft standard calls for the use of CANopen as the data exchange protocol. In this case, CANopen describes the use of object dictionaries, device profiles, data exchange methods, and network control. Ethernet is used as the physical medium, not CANbus.

Both EPL and CANopen device profiles are open standards, so equipment from all vendors works together to the extent that each supports the standards. The CANopen device profile for drives and motion control is CiA DSP-402. EPL drives must conform to this standard, and EPL controllers such as the ACR9000 expect to find drives that conform to CiA DSP-402.

Utilization of EPL

The ACR9000 EPL series controllers use an optional EPL network card to control EPL drives (EPLDs). The EPL network is an optional alternative to the DACs, encoders, connectors and cabling associated with the traditional interface to traditional drives, or may be used in combination with them. EPL nodes are represented via parameters in the controller as objects to be attached to an axis, just as the ENC and DAC objects are. These objects are called “EPLD”, for EPL drive. They range from EPLD0 to EPLD31. A complete description of the network and EPLD parameters and of this use of the ATTACH EPLD command is given later in this document.

Managing and Controlled Nodes

In the EPL network, the controller is the managing node (MN) and the drive(s) is the controlled node (CN). The ACR9000 series EPL controller supports a maximum of 16 axes, some or all of which may be EPL nodes (Aries EPL drives). It supports only EPL nodes that adhere to device profile DSP-402. EPL in general could support multiple device profiles, such as I/O devices, but as of release date, the ACR9000 series EPL controller only controls EPL drives as a first effort. The overall design allows future support of other devices.

Data Contained in a Controller EPL Cycle

In an EPL interface to the drive, the position loop is closed in the drive. There is one EPL cycle synchronized with every controller servo period, so the EPL cycle time is automatically established with the PERIOD command. Every EPL cycle, the drive receives the current commanded position, the current commanded velocity, the current commanded digital outputs, and the state of what would have been the drive enable and drive reset outputs of traditional interfaces. The drive closes its own position loop, controlling torque by directly controlling current to the motor. Every EPL cycle, the drive sends the current actual position, the current actual velocity, the current digital inputs, the following error, the torque output, and the state of what would have been the drive fault input of traditional interfaces.

Treatment of Axes

The controller generates position set points and drive-enable and drive-reset output states for an EPL axis in exactly the same way it does for a traditional axis. This means drive I/O commands, all moves, jogging, gearing, cams, etc. can be used with an EPL axis. Similarly, the controller responds to drive fault input states exactly the same way it does for a traditional axis. The controller only uses the feedback information from the drive to update the actual position, following error and output signal axis parameters.

Support for CiA DSP-402

The controller and drive must adhere to the CANopen device profile for motion control, CiA DSP-402 V2.0. Adherence to standards is required to ensure interoperability with EPL motion products from various vendors. DSP-402 specifies object dictionary entries that correspond to drive setup as well as periodic data transfer. In addition, DSP-402 specifies six different modes of operation. All of these modes require some type of trajectory generator in the drive whose function depends on the mode.

Interpolated Position Mode

The controller generates trajectories for the drive, and only expects the drive to close the position loop each update. It does not want the drive to generate its own trajectory. In Interpolated Position Mode, if the interpolation period is the same as data update rate, then no interpolation is necessary, so the drive's trajectory generator does nothing. This is the mode into which the controller sets EPL drives during the EPL configuration period.

Index

120/240 VAC power input	18, 23	foldback (DIFOLD)	86
accuracy	82	fuses	21
amplifier	82	input power	
ANI		connector	33
input resolution	79	input resolution, analog	82
auto-configure, smart encoder	15, 77	inputs	
brake	27–30	connector	38–40
non-Parker motors	29	encoder	37
Parker motors	28	general purpose	41
cable		high-speed	41
EPL	44	inrush current	22
Ethernet	44	installation category	7
cables		installation, overview	18
EMC	86	IO connector	38–40
non-EMC	86	circuit diagram	40
routing	12, 105	pinout	39
CE		jumper wires, pre-installed	18
EMC	103, 112	LED	
LVD	104, 112	drive status	50
change summary	xi	EPL status	49
connector		LEDs	49, 50
brake	27–30	LVD	15, 112
control input power	23	mains power	
drive IO	38–40	connector	33
EPL	44–45	motor	
Ethernet	44–45	brake	27–30
input power	19, 33	full wave rectifiers	28
IO circuit	40	fuses, input power	21
locations of	17	input power	18, 19
mains power	19, 33	output power	24
motor	24, 25, 34	output power, connection	25
motor feedback	35–36	Motor connector	34
output power	25, 34	motor feedback connector	35–36
regeneration	31	multiple-drive installation	48
control input power	19	multiple drives	26
connection	23	node ID	46
supply	22	output power	24
controller		connector	34
connecting to	46	outputs	
cooling		connector	38–40
cabinet	8–10	Outputs	
drive	7	timing characteristics	42
current foldback		over-temperature limits	83
enable/disable (DIFOLD)	86	over-voltage protection	85
overview	86	performance	82
drive cooling	7	pollution degree	7
drive dimensions, panel layout	12, 111	power dissipation	8–10
EMC	15, 112	power supply	
encoder		connection	19
auto-configure (smart)	15, 77	fuses	21
environment	7	input power	18, 19, 22
Ethernet		power-dump resistor	
cable	44	calculating for linear motor	96
connector	44–45	calculating for rotary motor	90
Ethernet Powerlink	44	selection	89
cable	44	protection	
connector	44–45	current foldback (DIFOLD)	86
network	46–48	drive over-temperature	83
status LED	49	over-voltage	85
filters, AC mains	107	short circuit	83

under-voltage	84	windup	57
PWM frequency (dpwm)	82	servo update	82
regeneration	85, 89	ship kit	4
connector	31	short circuit protection	83
protection	31–32	<u>specifications</u>	
regulatory agencies	112	additional specifications.....	82
relay, brake		<u>drive I/O connector</u>	38
operation	30	<u>motor feedback connector</u>	38
specification	30	standards	112
relay, brake connection.....	27–30	technical support	ii
resistor, power-dump.....	<i>See power-dump resistor</i>	temperature	7
revision of this manual.....	xi	environment	7
servo tuning		limits.....	83
actual position.....	53	transient suppressors	108
auto-tuning.....	65	troubleshooting.....	66
closed loop	52	LEDs	67
commanded position	53	tuning	<i>See servo tuning</i>
integral feedback.....	56	UL112	
measuring performance	55	under-voltage protection	84
open loop	52	varistors	108
overview	52	voltage	
position responses	54	AC input	18
position variables	53	weight	12
proportional feedback.....	56	<u>wiring</u>	
stability.....	54	<u>drive IO connector</u>	39
velocity feedback.....	56		