

Operating instructions Compax3 I21T11

# Positioning via CANopen according to DS402



192-120106 N13 C3I21T11

June 2011

Release R09-20

---

Windows NT®, Windows 2000™, Windows XP™, Windows Vista, Windows 7 are trademarks of Microsoft Corporation.

## nonwarranty clause

We checked the contents of this publication for compliance with the associated hard and software. We can, however, not exclude discrepancies and do therefore not accept any liability for the exact compliance. The information in this publication is regularly checked, necessary corrections will be part of the subsequent publications.

## Production site:



Parker Hannifin GmbH  
Electromechanical Automation Europe [EME]  
Robert-Bosch-Strasse 22  
77656 Offenburg (Germany)  
Tel.: + 49 (0781) 509-0  
Fax: + 49 (0781) 509-98176  
Internet: **www.parker-eme.com** <http://www.parker-eme.com>  
E-mail: **sales.automation@parker.com** <mailto:sales.automation@parker.com>

Parker Hannifin GmbH - registered office: Bielefeld HRB 35489  
Geschäftsführung: Dr. Gerd Scheffel, Günter Schrank, Christian Stein, Kees Veraart - Aufsichtsratsvorsitzender: Hansgeorg Greuner

## Headquarters:

**England:** Parker Hannifin PLC • Electromechanical Automation • Arena Business Centre  
Holy Rood Close • Poole, Dorset BH17 7FJ UK  
Tel.: +44 (0)1202 606300 • Fax: +44 (0)1202 606301  
E-mail: **sales.automation@parker.com** <mailto:sales.automation@parker.com> •  
Internet: **www.parker-eme.com** <http://www.parker-eme.com>

**Italy:** Parker Hannifin S.p.A • SSD SBC • Electromechanical Automation • Via Gounod, 1  
I-20092 Cinisello Balsamo (MI), Italy  
Tel.: +39 (0)2 66012459 • Fax: +39 (0)2 66012808  
E-mail: **sales.automation@parker.com** <mailto:sales.sbc@parker.com> •  
Internet: **www.parker-eme.com** <http://www.parker-eme.com>

**USA:** Parker Hannifin Corporation • Electromechanical Automation  
5500 Business Park Drive • Rohnert Park, CA 94928  
Phone #: (800) 358-9068 • FAX #: (707) 584-3715  
E-mail: **CMR\_help@parker.com** [mailto:emn\\_support@parker.com](mailto:emn_support@parker.com) • Internet:  
**www.compumotor.com** <http://www.compumotor.com>

# Inhalt

<b>1. Introduction .....</b>	<b>11</b>
1.1 Device assignment .....	11
1.2 Scope of delivery .....	11
1.3 Type specification plate .....	13
1.4 Packaging, transport, storage .....	14
1.5 Safety instructions.....	16
1.5.1. General hazards.....	16
1.5.2. Safety-conscious working .....	16
1.5.3. Special safety instructions .....	17
1.6 Warranty conditions .....	18
1.7 Conditions of utilization .....	19
1.7.1. Conditions of utilization for CE-conform operation.....	19
1.7.1.1 Conditions of utilization mains filter .....	19
1.7.1.2 Conditions of utilization for cables / motor filter .....	20
1.7.1.3 Additional conditions of utilization .....	21
1.7.2. Conditions of utilization for UL certification Compax3S.....	22
1.7.3. Conditions of utilization for UL certification Compax3M .....	23
1.7.4. Conditions of utilization for UL certification Compax3H.....	24
1.7.5. Current on the mains PE (leakage current).....	25
1.7.6. Supply networks .....	25
<b>2. Compax3 Xxx I21T11 Introduction .....</b>	<b>26</b>
<b>3. Compax3 device description .....</b>	<b>28</b>
3.1 Meaning of the status LEDs - Compax3 axis controller .....	28
3.2 Meaning of the status LEDs - PSUP (mains module).....	29
3.3 Connections of Compax3S .....	30
3.3.1. Compax3S connectors.....	30
3.3.2. Connector and pin assignment C3S.....	31
3.3.3. Control voltage 24VDC / enable connector X4 C3S .....	33
3.3.4. Motor / Motor brake (C3S connector X3).....	34
3.3.5. Compax3Sxxx V2.....	35
3.3.5.1 Main voltage supply C3S connector X1.....	35
3.3.5.2 Braking resistor / high voltage DC C3S connector X2.....	36
3.3.6. Compax3Sxxx V4.....	37
3.3.6.1 Power supply connector X1 for 3AC 400VAC/480VAC-C3S devices .....	37
3.3.6.2 Braking resistor / high voltage supply connector X2 for 3AC 400VAC/480VAC_C3S devices.....	37
3.3.6.3 Connection of the power voltage of 2 C3S 3AC devices.....	38
3.4 Installation instructions Compax3M .....	39

<b>3.5</b>	<b>PSUP/Compax3M Connections .....</b>	<b>41</b>
3.5.1.	Front connector .....	41
3.5.2.	Connections on the device bottom.....	42
3.5.3.	Connections of the axis combination.....	43
3.5.4.	Control voltage 24VDC PSUP (mains module) .....	44
3.5.5.	Mains supply PSUP (mains module) X41 .....	44
3.5.6.	Braking resistor / temperature switch PSUP (mains module) .....	47
3.5.6.1	Temperature switch PSUP (mains module).....	48
3.5.7.	Motor / motor brake Compax3M (axis controller) .....	49
3.5.7.1	Measurement of the motor temperature of Compax3M (axis controller) .....	50
3.5.8.	Safety technology option for Compax3M (axis controller) .....	50
<b>3.6</b>	<b>Connections of Compax3H .....</b>	<b>51</b>
3.6.1.	Compax3H plugs/connections .....	51
3.6.2.	Connection of the power voltage .....	52
3.6.3.	Compax3H connections front plate .....	54
3.6.4.	Plug and pin assignment C3H .....	54
3.6.5.	Motor / Motor brake C3H .....	56
3.6.6.	Control voltage 24 VDC C3H.....	57
3.6.7.	Mains connection Compax3H.....	57
3.6.8.	Braking resistor / supply voltage C3H.....	58
3.6.8.1	Connect braking resistor C3H.....	58
3.6.8.2	Power supply voltage DC C3H .....	58
3.6.8.3	Connection of the power voltage of 2 C3H 3AC devices.....	58
<b>3.7</b>	<b>Communication interfaces .....</b>	<b>59</b>
3.7.1.	RS232/RS485 interface (plug X10) .....	59
3.7.2.	Communication Compax3M .....	60
3.7.2.1	PC - PSUP (Mains module) .....	60
3.7.2.2	Communication in the axis combination (connector X30, X31) .....	60
3.7.2.3	Adjusting the basic address .....	61
3.7.2.4	Setting the axis function.....	61
3.7.3.	CANopen connector X23 Interface I21 .....	62
3.7.3.1	Setting baud rate and Node-ID .....	62
3.7.3.2	Function of the Bus LEDs .....	63
<b>3.8</b>	<b>Signal interfaces .....</b>	<b>64</b>
3.8.1.	Resolver / feedback (plug X13) .....	64
3.8.2.	Analogue / encoder (plug X11) .....	65
3.8.2.1	Wiring of analog interfaces .....	66
3.8.2.2	Connections of the encoder interface .....	66
3.8.3.	Digital inputs/outputs (plug X12) .....	67
3.8.3.1	Connection of the digital Outputs/Inputs .....	68
3.8.3.2	Logic proximity switch types .....	69
<b>3.9</b>	<b>Installation and dimensions Compax3.....</b>	<b>70</b>
3.9.1.	Mounting and dimensions Compax3S .....	70
3.9.1.1	Mounting and dimensions Compax3S0xxV2 .....	70
3.9.1.2	Mounting and dimensions Compax3S100V2 and S0xxV4 .....	71
3.9.1.3	Mounting and dimensions Compax3S150V2 and S150V4.....	72
3.9.1.4	Mounting and dimensions Compax3S300V4.....	73
3.9.2.	Mounting and dimensions PSUP/C3M.....	74

3.9.2.1	Mounting and dimensions PSUP10/C3M050D6, C3M100D6, C3M150D6 .....	74
3.9.2.2	Mounting and dimensions PSUP20/PSUP30/C3M300D6 .....	75
3.9.2.3	With upper mounting, the housing design may be different .....	75
<b>3.9.3.</b>	<b>Mounting and dimensions C3H .....</b>	<b>76</b>
3.9.3.1	Mounting distances, air currents Compax3H050V4 .....	77
3.9.3.2	Mounting distances, air currents Compax3H090V4 .....	77
3.9.3.3	Mounting distances, air currents Compax3H1xxV4 .....	78
<b>3.10</b>	<b>Safety function - STO (=safe torque off) .....</b>	<b>79</b>
<b>3.10.1.</b>	<b>General Description .....</b>	<b>79</b>
3.10.1.1	Important terms and explanations .....	79
3.10.1.2	Intended use .....	80
3.10.1.3	Advantages of using the "safe torque off" safety function. ....	80
3.10.1.4	Devices with the STO (=safe torque off) safety function .....	81
<b>3.10.2.</b>	<b>STO (= safe torque off) with Compax3S .....</b>	<b>82</b>
3.10.2.1	STO Principle (= Safe Torque Off) with Compax3S .....	82
3.10.2.2	Conditions of utilization STO (=safe torque off) Safety function .....	84
3.10.2.3	Notes on the STO function .....	84
3.10.2.4	STO application example (= safe torque off) .....	85
3.10.2.5	Technical Characteristics STO Compax3S .....	92
<b>3.10.3.</b>	<b>STO (= safe torque off) with Compax3m (Option S1) .....</b>	<b>93</b>
3.10.3.1	Safety switching circuits .....	93
3.10.3.2	Safety notes for the STO function in the Compax3M .....	94
3.10.3.3	Conditions of utilization for the STO function with Compax3M .....	94
3.10.3.4	STO delay times .....	95
3.10.3.5	Compax3M STO application description .....	96
3.10.3.6	STO function test .....	100
3.10.3.7	Technical details of the Compax3M S1 option .....	102

## **4. Setting up Compax3..... 103**

<b>4.1</b>	<b>Configuration .....</b>	<b>103</b>
4.1.1.	Test commissioning of a Compax3 axis .....	105
4.1.2.	Selection of the supply voltage used .....	105
4.1.3.	Motor selection .....	105
4.1.4.	Optimize motor reference point and switching frequency of the motor current .....	106
4.1.5.	Ballast resistor .....	109
4.1.6.	General drive .....	109
4.1.7.	Defining the reference system .....	110
4.1.7.1	Measure reference .....	110
4.1.7.2	Machine Zero .....	113
4.1.7.3	Travel Limit Settings .....	130
4.1.7.4	Change assignment direction reversal / limit switches .....	133
4.1.7.5	Change initiator logic .....	133
4.1.8.	Defining jerk / ramps .....	134
4.1.8.1	Speed for positioning and velocity control .....	134
4.1.8.2	Acceleration for positioning and velocity control .....	134
4.1.8.3	Acceleration / deceleration for positioning .....	134
4.1.8.4	Jerk limit for positioning .....	134
4.1.8.5	Ramp upon error and de-energize .....	135
4.1.8.6	Jerk for STOP, MANUAL and error .....	136
4.1.9.	Limit and monitoring settings .....	136
4.1.9.1	Current (Torque) Limit .....	136

4.1.9.2	Positioning window - Position reached .....	137
4.1.9.3	Following error limit.....	138
4.1.9.4	Maximum operating speed.....	138
<b>4.1.10.</b>	<b>Encoder simulation .....</b>	<b>139</b>
4.1.10.1	Encoder bypass with Feedback module F12 (for direct drives).....	139
<b>4.1.11.</b>	<b>I/O Assignment .....</b>	<b>140</b>
<b>4.1.12.</b>	<b>Position mode in reset operation.....</b>	<b>141</b>
4.1.12.1	Examples in the help file .....	141
<b>4.1.13.</b>	<b>Reg-related positioning / defining ignore zone .....</b>	<b>142</b>
<b>4.1.14.</b>	<b>Write into set table.....</b>	<b>143</b>
4.1.14.1	Programmable status bits (PSBs).....	143
<b>4.1.15.</b>	<b>Motion functions .....</b>	<b>145</b>
4.1.15.1	MoveAbs and MoveRel.....	145
4.1.15.2	Reg-related positioning (RegSearch, RegMove).....	146
4.1.15.3	Electronic gearbox (Gearing).....	150
4.1.15.4	Speed specification (Velocity).....	151
4.1.15.5	Stop command (Stop).....	151
<b>4.1.16.</b>	<b>Error response .....</b>	<b>151</b>
<b>4.1.17.</b>	<b>Configuration name / comments.....</b>	<b>152</b>
<b>4.1.18.</b>	<b>Dynamic positioning .....</b>	<b>152</b>
<b>4.2</b>	<b>Configuring the signal Source.....</b>	<b>154</b>
<b>4.2.1.</b>	<b>Signal source of the load feedback system.....</b>	<b>154</b>
<b>4.2.2.</b>	<b>Select signal source for Gearing .....</b>	<b>154</b>
4.2.2.1	Signal source HEDA .....	155
4.2.2.2	Encoder A/B 5V, step/direction or SSI feedback as signal source .....	155
4.2.2.3	+/-10V analog speed setpoint value as signal source .....	157
<b>4.3</b>	<b>Load control .....</b>	<b>158</b>
<b>4.3.1.</b>	<b>Configuration of load control .....</b>	<b>160</b>
<b>4.3.2.</b>	<b>Error: Position difference between load mounted and motor feedback too high .....</b>	<b>161</b>
<b>4.3.3.</b>	<b>Load control signal image .....</b>	<b>161</b>
<b>4.4</b>	<b>Optimization .....</b>	<b>162</b>
<b>4.4.1.</b>	<b>Optimization window.....</b>	<b>163</b>
<b>4.4.2.</b>	<b>Scope .....</b>	<b>164</b>
4.4.2.1	Monitor information .....	164
4.4.2.2	User interface.....	165
4.4.2.3	Example: Setting the Oscilloscope .....	170
<b>4.4.3.</b>	<b>Controller optimization .....</b>	<b>172</b>
4.4.3.1	Introduction .....	172
4.4.3.2	Configuration.....	175
4.4.3.3	Automatic controller design.....	191
4.4.3.4	Setup and optimization of the control .....	203
<b>4.4.4.</b>	<b>Signal filtering with external command value .....</b>	<b>233</b>
4.4.4.1	Signal filtering for external setpoint specification and electronic gearbox .....	233
<b>4.4.5.</b>	<b>Input simulation .....</b>	<b>235</b>
4.4.5.1	Calling up the input simulation .....	235
4.4.5.2	Operating Principle .....	236
<b>4.4.6.</b>	<b>Setup mode .....</b>	<b>237</b>
4.4.6.1	Motion objects in Compax3.....	238
<b>4.4.7.</b>	<b>Load identification .....</b>	<b>239</b>
4.4.7.1	Principle .....	239

4.4.7.2	Boundary conditions .....	239
4.4.7.3	Process of the automatic determination of the load characteristic value (load identification) .....	240
4.4.7.4	Tips .....	241
<b>4.4.8.</b>	<b>Alignment of the analog inputs .....</b>	<b>241</b>
4.4.8.1	Offset alignment.....	242
4.4.8.2	Gain alignment.....	242
4.4.8.3	Signal processing of the analog inputs .....	242
<b>4.4.9.</b>	<b>C3 ServoSignalAnalyzer .....</b>	<b>243</b>
4.4.9.1	ServoSignalAnalyzer - function range .....	243
4.4.9.2	Signal analysis overview.....	244
4.4.9.3	Installation enable of the ServoSignalAnalyzer .....	245
4.4.9.4	Analyses in the time range.....	247
4.4.9.5	Measurement of frequency spectra .....	250
4.4.9.6	Measurement of frequency responses .....	253
4.4.9.7	Overview of the user interface .....	259
4.4.9.8	Basics of frequency response measurement.....	272
4.4.9.9	Examples are available as a movie in the help file .....	277
<b>4.4.10.</b>	<b>ProfileViewer for the optimization of the motion profile .....</b>	<b>278</b>
4.4.10.1	Mode 1: Time and maximum values are deduced from Compax3 input values .....	278
4.4.10.2	Mode 2: Compax3 input values are deduced from times and maximum values .....	278
<b>4.4.11.</b>	<b>Turning the motor holding brake on and off.....</b>	<b>279</b>

## **5. Communication .....280**

<b>5.1</b>	<b>Compax3 communication variants.....</b>	<b>280</b>
5.1.1.	PC <-> Compax3 (RS232).....	281
5.1.2.	PC <-> Compax3 (RS485).....	282
5.1.3.	PC <-> C3M device combination (USB) .....	283
5.1.4.	USB-RS485 Moxa Uport 1130 adapter .....	284
5.1.5.	ETHERNET-RS485 NetCOM 113 adapter .....	285
5.1.6.	Modem MB-Connectline MDH 500 / MDH 504 .....	286
5.1.7.	C3 settings for RS485 two wire operation.....	287
5.1.8.	C3 settings for RS485 four wire operation .....	288
<b>5.2</b>	<b>COM port protocol .....</b>	<b>289</b>
5.2.1.	RS485 settings values.....	289
5.2.2.	ASCII - record .....	289
5.2.3.	Binary record .....	290
<b>5.3</b>	<b>Remote diagnosis via Modem.....</b>	<b>294</b>
5.3.1.	Structure .....	294
5.3.2.	Configuration of local modem 1 .....	295
5.3.3.	Configuration of remote modem 2 .....	296
5.3.4.	Recommendations for preparing the modem operation .....	296
<b>5.4</b>	<b>CANopen.....</b>	<b>297</b>
5.4.1.	CANopen - configuration .....	297
5.4.2.	CANopen - operating mode .....	297
5.4.2.1	Slave in Velocity Mode - velocity control .....	298
5.4.2.2	Slave in Position Mode - Direct Positioning .....	299
5.4.2.3	Slave with set selection.....	301

5.4.2.4	Machine zero operating mode (Homing) .....	303
5.4.2.5	Manual operation operating mode (Jogging) .....	303
5.4.2.6	“Interpolated Position Mode” operating mode.....	303
5.4.2.7	Operating mode: Cyclic Synchronous Position Mode .....	303
5.4.2.8	Interpolation .....	304
5.4.2.9	Structure image in the interpolation mode .....	307
5.4.2.10	Synchronizations method.....	308
5.4.2.11	Controlword /Statusword.....	308
5.4.2.12	Error Reaction on Bus Failure.....	311
<b>5.4.3.</b>	<b>Baud rate .....</b>	<b>312</b>
<b>5.4.4.</b>	<b>Transmission cycle time .....</b>	<b>312</b>
<b>5.4.5.</b>	<b>State machine .....</b>	<b>313</b>
<b>5.4.6.</b>	<b>Acyclic parameter channel .....</b>	<b>315</b>
5.4.6.1	Service Data Objects (SDO).....	315
5.4.6.2	Object Up-/Download via CANopen .....	316
<b>5.4.7.</b>	<b>CANopen communication profile.....</b>	<b>317</b>
5.4.7.1	Object types .....	318
5.4.7.2	Communication objects.....	318
<b>6.</b>	<b>CANopen objects .....</b>	<b>322</b>
<b>6.1</b>	<b>Bus objects sorted by bus number .....</b>	<b>323</b>
<b>6.2</b>	<b>Standardized and manufacturer-specific objects sorted according to object number .....</b>	<b>327</b>
<b>6.3</b>	<b>Detailed object list .....</b>	<b>334</b>
<b>6.4</b>	<b>Data formats of the bus objects .....</b>	<b>334</b>
6.4.1.	Integer formats.....	334
6.4.2.	Unsigned - Formats .....	334
6.4.3.	Fixed point format E2_6.....	335
6.4.4.	Fixed point format C4_3.....	335
6.4.5.	Bus format Y2 and Y4.....	335
6.4.6.	Bit sequence V2 .....	336
6.4.7.	Byte string OS.....	336
<b>7.</b>	<b>Status values .....</b>	<b>337</b>
<b>7.1</b>	<b>D/A-Monitor .....</b>	<b>337</b>
<b>7.2</b>	<b>Status values.....</b>	<b>337</b>
<b>8.</b>	<b>Error .....</b>	<b>338</b>
<b>8.1</b>	<b>Error list.....</b>	<b>338</b>
<b>9.</b>	<b>Order code .....</b>	<b>339</b>
<b>9.1</b>	<b>Order code device: Compax3 .....</b>	<b>340</b>
<b>9.2</b>	<b>Order code for mains module: PSUP .....</b>	<b>341</b>
<b>9.3</b>	<b>Order code for accessories.....</b>	<b>341</b>



9.3.1.	Order Code braking resistors.....	342
9.3.2.	Interface cable order code .....	343
9.3.3.	Note on cable ordering.....	344

## 10. Compax3 Accessories .....345

10.1	Parker servo motors .....	345
10.1.1.	Direct drives .....	345
10.1.1.1	Transmitter systems for direct drives .....	346
10.1.1.2	Linear motors .....	347
10.1.1.3	Torque motors.....	347
10.1.2.	Rotary servo motors.....	347
10.2	EMC measures .....	348
10.2.1.	Mains filter .....	348
10.2.1.1	Mains filter NFI01/01 .....	349
10.2.1.2	Mains filter NFI01/02 .....	349
10.2.1.3	Mains filter for NFI01/03.....	350
10.2.1.4	Mains filter NFI02/0x .....	350
10.2.1.5	Mains filter NFI03/01& NFI03/03 .....	351
10.2.1.6	Mains filter NFI03/02.....	352
10.2.2.	Motor output filter.....	353
10.2.2.1	Motor output filter MDR01/04.....	353
10.2.2.2	Motor output filter MDR01/01 .....	353
10.2.2.3	Motor output filter MDR01/02.....	354
10.2.2.4	Wiring of the motor output filter .....	354
10.2.3.	Mains filters .....	354
10.2.3.1	Mains filter for PSUP30.....	354
10.3	Connections to the motor .....	356
10.3.1.	Resolver cable .....	357
10.3.2.	SinCos© cable.....	358
10.3.3.	EnDat cable .....	358
10.3.4.	Motor cable.....	359
10.3.4.1	Connection of terminal box MH145 & MH205 .....	359
10.3.5.	Encoder cable .....	360
10.4	External braking resistors.....	361
10.4.1.	Permissible braking pulse powers of the braking resistors .....	362
10.4.1.1	Calculation of the BRM cooling time .....	362
10.4.1.2	Permissible braking pulse power: BRM08/01 with C3S015V4 / C3S038V4.....	363
10.4.1.3	Permissible braking pulse power: BRM08/01 with C3S025V2 .....	364
10.4.1.4	Permissible braking pulse power: BRM09/01 with C3S100V2 .....	364
10.4.1.5	Permissible braking pulse power: BRM10/01 with C3S150V4 .....	365
10.4.1.6	Permissible braking pulse power: BRM10/02 with C3S150V4 .....	365
10.4.1.7	Permissible braking pulse power: BRM05/01 with C3S063V2 .....	366
10.4.1.8	Permissible braking pulse power: BRM05/01 with C3S075V4 .....	366
10.4.1.9	Permissible braking pulse power: BRM05/02 with C3S075V4 .....	367
10.4.1.10	Permissible braking pulse power: BRM04/01 with C3S150V2 .....	367
10.4.1.11	Permissible braking pulse power: BRM04/01 with C3S300V4 .....	368
10.4.1.12	Permissible braking pulse power: BRM04/02 with C3S150V2 .....	368
10.4.1.13	Permissible braking pulse power: BRM04/02 with C3S300V4 .....	369
10.4.1.14	Permissible braking pulse power: BRM04/03 with C3S300V4 .....	369
10.4.1.15	Permissible braking pulse power: BRM11/01 with C3H0xxV4 .....	370

10.4.1.16	Permissible braking pulse power: BRM12/01 with C3H1xxV4 .....	370
10.4.1.17	Permissible braking pulse power: BRM13/01 with PSUP10D6 .....	371
10.4.1.18	Permissible braking pulse power: BRM14/01 with PSUP10D6 .....	371
<b>10.4.2.</b>	<b>Dimensions of the braking resistors .....</b>	<b>371</b>
10.4.2.1	BRM8/01 braking resistors .....	371
10.4.2.2	BRM5/01 braking resistor .....	371
10.4.2.3	Braking resistor BRM5/02, BRM9/01 & BRM10/01 .....	372
10.4.2.4	Ballast resistor BRM4/0x and BRM10/02 .....	372
10.4.2.5	Braking resistor BRM11/01 & BRM12/01 .....	373
10.4.2.6	Ballast resistor BRM13/01 & BRM14/01 .....	373
<b>10.5</b>	<b>Condenser module C4 .....</b>	<b>374</b>
<b>10.6</b>	<b>Operator control module BDM .....</b>	<b>375</b>
<b>10.7</b>	<b>EAM06: Terminal block for inputs and outputs .....</b>	<b>376</b>
<b>10.8</b>	<b>Interface cable .....</b>	<b>379</b>
10.8.1.	RS232 cable .....	379
10.8.2.	RS485 cable to Pop .....	380
10.8.3.	I/O interface X12 / X22 .....	381
10.8.4.	Ref X11 .....	381
10.8.5.	Encoder coupling of 2 Compax3 axes .....	382
10.8.6.	Modem cable SSK31 .....	383
<b>10.9</b>	<b>Options M1x .....</b>	<b>384</b>
10.9.1.	Input/output option M12 .....	384
10.9.1.1	Assignment of the X22 connector .....	384
10.9.2.	HEDA (motion bus) - Option M11 .....	385
10.9.3.	Option M10 = HEDA (M11) & I/Os (M12) .....	387
<b>10.10</b>	<b>CAN - plug BUS10/01 .....</b>	<b>388</b>
<b>11.</b>	<b>Technical Characteristics .....</b>	<b>389</b>
<b>12.</b>	<b>Index .....</b>	<b>406</b>

# 1. Introduction

## In this chapter you can read about:

Device assignment .....	11
Scope of delivery .....	11
Type specification plate .....	13
Packaging, transport, storage .....	14
Safety instructions .....	16
Warranty conditions .....	18
Conditions of utilization .....	19

## 1.1 Device assignment

### **This manual is valid for the following devices:**

- ◆ Compax3S025V2 + supplement
- ◆ Compax3S063V2 + supplement
- ◆ Compax3S100V2 + supplement
- ◆ Compax3S150V2 + supplement
- ◆ Compax3S015V4 + supplement
- ◆ Compax3S038V4 + supplement
- ◆ Compax3S075V4 + supplement
- ◆ Compax3S150V4 + supplement
- ◆ Compax3S300V4 + supplement
- ◆ Compax3H050V4 + supplement
- ◆ Compax3H090V4 + supplement
- ◆ Compax3H125V4 + supplement
- ◆ Compax3H155V4 + supplement
- ◆ Compax3M050D6 + supplement
- ◆ Compax3M100D6 + supplement
- ◆ Compax3M150D6 + supplement
- ◆ Compax3M300D6 + supplement
- ◆ PSUP10D6
- ◆ PSUP20D6
- ◆ PSUP30D6

### **With the supplement:**

- ◆ F10 (Resolver)
- ◆ F11 (SinCos®)
- ◆ F12 (linear and rotary direct drives)
- ◆ I21 T11

## 1.2 Scope of delivery

### **The following items are furnished with the device:**

- ◆ Manuals\*
  - ◆ Installation manual (German, English, French)
  - ◆ Compax3 DVD
  - ◆ Startup Guide (German / English)

\*Comprehensiveness of documentation depends on device type

- ◆ Device accessories
  - Device accessories for Compax3S
    - ◆ Cable clamps in different sizes for large area shielding of the motor cable, the screw for the cable clamp as well as
    - ◆ the mating plug connectors for the Compax3S plug connectors X1, X2, X3, and X4
    - ◆ a toroidal core ferrite for one cable of the motor holding brake
    - ◆ Lacing cord
  - ◆ Device accessories for Compax3M
    - ◆ Cable clamps in different sizes for large area shielding of the motor cable, the screw for the cable clamp as well as
    - ◆ the matching plug for the Compax3M connectors X14, X15, X43
    - ◆ a toroidal core ferrite for one cable of the motor holding brake
    - ◆ an interface cable (SSK28/23) for communication within the axis combination
  - ◆ Device accessories for PSUP
    - ◆ Matching plug for the PSUP connectors X9, X40, X41
    - ◆ 2 bus terminal connectors (BUS07/01) for mains module and the last axis controller in the combination
  - ◆ Device accessories for Compax3H
    - ◆ Mating connector for X3 and X4
    - ◆ SSK32/20: RS232 adapter cable (programming port C3HxxxV4 - SSK1 - PC)
    - ◆ VBK17/01: SubD jumper mounted

### 1.3 Type specification plate

**Compax3 - Type specification plate (example):**

The present device type is defined by the type specification plate (on the housing):



**Explanation:**

1	Type designation The complete order designation of the device (2, 5, 6, 9, 8).
2	<b>C3:</b> Abbreviation for Compax3
	<b>S025:</b> Single axis device, nominal device current in 100mA (025=2.5A) <b>M050:</b> Multi-axis device, nominal device current in 100mA (050=5A) <b>H050:</b> High power device, nominal device current in 1A (050=50A)
3	<b>D6:</b> Designation nominal supply <b>V2:</b> Mains supply voltage (2=230VAC/240VAC, 4=400VAC/480VAC)
	Unique number of the particular device
4	Nominal supply voltage Power Input: Input supply data Power Output: Output data
5	Designation of the feedback system <b>F10:</b> Resolver <b>F11:</b> SinCos© / Single- or Multiturn <b>F12:</b> Feedback module for direct drives
6	Device interface <b>I10:</b> Analog, step/direction and encoder input <b>I11 / I12:</b> Digital Inputs / Outputs and RS232 / RS485 <b>I20:</b> Profibus DP / <b>I21:</b> CANopen / <b>I22:</b> DeviceNet / <b>I30:</b> Ethernet Powerlink / <b>I31:</b> EtherCAT / <b>I32:</b> Profinet <b>C20:</b> integrated controller C3 <i>powerPLmC</i> , Linux & Web server
7	Date of factory test
8	Options <b>Mxx:</b> I/O extension, HEDA <b>Sx:</b> optional safety technology on C3M
9	Technology function <b>T10:</b> Servo drive <b>T11:</b> Positioning <b>T30:</b> Motion control programmable according to IEC61131-3 <b>T40:</b> Electronic cam
10	CE compliance
11	Certified safety technology (corresponding to the logo displayed)
12	UL certified (corresponding to the logo displayed)

## 1.4 Packaging, transport, storage

### Packaging material and transport



#### Caution!

The packaging material is inflammable, if it is disposed of improperly by burning, lethal fumes may develop.

The packaging material must be kept and reused in the case of a return shipment. Improper or faulty packaging may lead to transport damages.

Make sure to transport the drive always in a safe manner and with the aid of suitable lifting equipment (**Weight** (see on page 389, see on page 400)). Do never use the electric connections for lifting. Before the transport, a clean, level surface should be prepared to place the device on. The electric connections may not be damaged when placing the device.

### First device checkup

- ◆ Check the device for signs of transport damages.
- ◆ Please verify, if the indications on the **Type identification plate** (see on page 13) correspond to your requirements.
- ◆ Check if the consignment is complete.

### Disposal

This product contains materials that fall under the special disposal regulation from 1996, which corresponds to the EC directory 91/689/EEC for dangerous disposal material. We recommend to dispose of the respective materials in accordance with the respectively valid environmental laws. The following table states the materials suitable for recycling and the materials which have to be disposed of separately.

Material Option	suitable for recycling	Disposal
Metal	yes	no
Plastic materials	yes	no
Circuit boards	no	yes

Please dispose of the circuit boards according to one of the following methods:

- ◆ Burning at high temperatures (at least 1200°C) in an incineration plant licensed in accordance with part A or B of the environmental protection act.
- ◆ Disposal via a technical waste dump which is allowed to take on electrolytic aluminum condensers. Do under no circumstances dump the circuit boards at a place near a normal waste dump.

### Storage

If you do not wish to mount and install the device immediately, make sure to store it in a dry and clean **environment** (see on page 402). Make sure that the device is not stored near strong heat sources and that no metal chippings can get into the device.

**Please note in the event of storage >1 year:**

### **Forming the capacitors**

**Forming the capacitors only required with 400VAC axis controllers and PSUP mains module**

If the device was stored longer than one year, the intermediate capacitors must be re-formed!

#### **Forming sequence:**

- ◆ Remove all electric connections
- ◆ Supply the device with 230VAC single phase for 30 minutes
  - ◆ via the L1 and L2 terminals on the device or
  - ◆ multi axis devices via L1 and L2 on the PSUP mains module

## 1.5 Safety instructions

### In this chapter you can read about:

General hazards .....	16
Safety-conscious working .....	16
Special safety instructions .....	17

### 1.5.1. General hazards

#### General Hazards on Non-Compliance with the Safety Instructions

The device described in this manual is designed in accordance with the latest technology and is safe in operation. Nevertheless, the device can entail certain hazards if used improperly or for purposes other than those explicitly intended.

Electronic, moving and rotating components can

- ◆ constitute a hazard for body and life of the user, and
- ◆ cause material damage

#### Usage in accordance with intended purpose

The device is designed for operation in electric power drive systems (VDE0160). Motion sequences can be automated with this device. Several motion sequences can be combined by interconnecting several of these devices. Mutual interlocking functions must be incorporated for this purpose.

### 1.5.2. Safety-conscious working

This device may be operated only by qualified personnel.

Qualified personnel in the sense of these operating instructions consists of:

- ◆ Persons who, by virtue to their training, experience and instruction, and their knowledge of pertinent norms, specifications, accident prevention regulations and operational relationships, have been authorized by the officer responsible for the safety of the system to perform the required task and in the process are capable of recognizing potential hazards and avoiding them (definition of technical personnel according to VDE105 or IEC364),
- ◆ Persons who have a knowledge of first-aid techniques and the local emergency rescue services.
- ◆ persons who have read and will observe the safety instructions.
- ◆ Those who have read and observe the manual or help (or the sections pertinent to the work to be carried out).

This applies to all work relating to setting up, commissioning, configuring, programming, modifying the conditions of utilization and operating modes, and to maintenance work.

This manual and the help information must be available close to the device during the performance of all tasks.



### 1.5.3. Special safety instructions

- ◆ Check the correct association of the device and its documentation.
- ◆ Never detach electrical connections while voltage is applied to them.
- ◆ Safety devices must be provided to prevent human contact with moving or rotating parts.
- ◆ Make sure that the device is operated only when it is in perfect condition.
- ◆ Implement and activate the stipulated safety functions and devices.
- ◆ Operate the device only with the housing closed.
- ◆ Make sure that all devices are sufficiently fixed.
- ◆ Check that all live terminals are secured against contact. Perilous voltage levels of up to 850V occur.
- ◆ Do not bypass power direct current

Be cautious when performing configuration downloads with master - slave couplings (electronic gear, cam) Deactivate the drive before starting the configuration download: Master and Slave axis.



#### Caution!

Due to movable machine parts and high voltages, the device can pose a lethal danger. Danger of electric shock in the case of non-respect of the following instructions. The device corresponds to DIN EN 61800-3, i.e. it is subject to limited sale. The device can emit disturbances in certain local environments. In this case, the user is liable to take suitable measures.

- ◆ The device must be permanently grounded due to high earth leakage currents.
- ◆ The drive motor must be grounded with a suitable protective lead.
- ◆ The devices are equipped with high voltage DC condensers. Before removing the protective cover, the discharging time must be awaited. After switching off the supply voltage, it may take up to 10 minutes to discharge the capacitors. Danger of electric shock in case of non respect.
- ◆ Before you can work on the device, the supply voltage must be switched off at the L1, L2 and L3 clamps. Wait at least 10 minutes so that the power direct current may sink to a secure value (<50V). Check with the aid of a voltmeter, if the voltage at the DC+ and DC- clamps has fallen to a value below 50V. Danger of electric shock in case of non respect.
- ◆ Do never perform resistance tests with elevated voltages (over 690V) on the wiring without separating the circuit to be tested from the drive.
- ◆ Please exchange devices only in currentless state and, in an axis system, only in a defined original state.
- ◆ In the event of a axis controller device exchange it is absolutely necessary to transfer the configuration determining the correct operation of the drive to the device, before the device is put into operation. Depending on the operation mode, a machine zero run will be necessary.
- ◆ The device contains electrostatically sensitive components. Please heed the electrostatic protection measures while working at/with the device as well as during installation and maintenance.
- ◆ Operation of the PSUP30 only with mains filter.



#### Attention - hot surface!

The heat dissipator can reach very high temperatures (>70°C)

#### Protective seals



#### Caution!

The user is responsible for protective covers and/or additional safety measures in order to prevent damages to persons and electric accidents.

Please note in the event of storage >1 year:

### Forming the capacitors

**Forming the capacitors only required with 400VAC axis controllers and PSUP mains module**

If the device was stored longer than one year, the intermediate capacitors must be re-formed!

#### Forming sequence:

- ◆ Remove all electric connections
- ◆ Supply the device with 230VAC single phase for 30 minutes
  - ◆ via the L1 and L2 terminals on the device or
  - ◆ multi axis devices via L1 and L2 on the PSUP mains module

## 1.6 Warranty conditions

- ◆ The device must not be opened.
- ◆ Do not make any modifications to the device, except for those described in the manual.
- ◆ Make connections to the inputs, outputs and interfaces only in the manner described in the manual.
- ◆ Fix the devices according to the **mounting instructions** (see on page 70, see on page 76).  
We cannot provide any guarantee for other mounting methods.

#### Note on exchange of options

Device options must be exchanged in the factory to ensure hardware and software compatibility.

- ◆ When installing the device, make sure the heat dissipators of the device receive sufficient air and respect the recommended mounting distances of the devices with integrated ventilator fans in order to ensure free circulation of the cooling air.
- ◆ Make sure that the mounting plate is not exposed to external temperature influences.

## 1.7 Conditions of utilization

**In this chapter you can read about:**

Conditions of utilization for CE-conform operation .....	19
Conditions of utilization for UL certification Compax3S .....	22
Conditions of utilization for UL certification Compax3M .....	23
Conditions of utilization for UL certification Compax3H .....	24
Current on the mains PE (leakage current) .....	25
Supply networks .....	25

### 1.7.1. Conditions of utilization for CE-conform operation

**In this chapter you can read about:**

Conditions of utilization mains filter .....	19
Conditions of utilization for cables / motor filter .....	20
Additional conditions of utilization .....	21

**- Industry and trade -**

The EC guidelines for electromagnetic compatibility 2004/108/EC and for electrical operating devices for utilization within certain voltage limits 2006/95/EC are fulfilled when the following boundary conditions are observed:

**Operation of the devices only in the condition in which they were delivered, i.e. with all housing panels.**

In order to ensure contact protection, all mating plugs must be present on the device connections even if they are not wired.

Please respect the specifications of the manual, especially the technical characteristics (mains connection, circuit breakers, output data, ambient conditions,...).

#### 1.7.1.1 Conditions of utilization mains filter

**Mains filter:** A mains filter is required in the mains input line if the motor cable exceeds a certain length. Filtering can be provided centrally at the system mains input or separately for each device or with C3M for each axis system.

**Use of the devices in a commercial and residential area (limit value class in accordance with EN 61800-3)**

The following mains filters are available for independent utilization:

Device: Compax3S	Limit value class	Motor cable length	Mains filter Order No.:
S0xxV2	C2	< 10 m	without
	C2	> 10 m, < 100 m	NFI01/01
S1xxV2, S0xxV4, S150V4	C2	< 10 m	without
	C2	> 10 m, < 100 m	NFI01/02
S300V4	C3	< 10 m	without
	C2, C3	> 10 m, < 100 m	NFI01/03

Device: Compax3H	Limit value class	Motor cable length	Mains filter Order No.:
H050V4	C2	< 10 m	without
	C2	> 10 m, < 50 m	NFI02/01
H090V4	C2	< 10 m	without
	C2	> 10 m, < 50 m	NFI02/02
H1xxV4	C2	< 10 m	without
	C2	> 10 m, < 50 m	NFI02/03

**Use of the devices in the industrial area (limit values class C3 in accordance with EN 61800-3)**

The following mains filters are available for independent utilization:

Device: PSU	Limit value class	Reference: Axis system with motor cable	Mains filter Order No.:
P10	C3	< 6 x 10 m	NFI03/01
P10	C3	< 6 x 50 m	NFI03/02
P20	C3	< 6 x 50 m	NFI03/03
P30	C3	< 6 x 50 m	NFI03/03

**Connection length: Connection between mains filter and device:**

unshielded: < 0.5 m

shielded < 5 (fully shielded on ground - e.g. ground of control cabinet)

**1.7.1.2 Conditions of utilization for cables / motor filter**

**Motor and Feedback  
cable:**

**Operation of the devices only with motor and feedback cables whose plugs contain a special full surface area screening.**

**Compax3S motor  
cable**

< 100 m (the cable should not be rolled up!)

A **motor output filter** (see on page 353) is required for motor cables >20 m:

- ◆ MDR01/04 (max. 6.3 A rated motor current)
- ◆ MDR01/01 (max. 16 A rated motor current)
- ◆ MDR01/02 (max. 30 A rated motor current)

**Compax3H motor  
cable**

A motor output filter is required for motor cables >50m. Please contact us.

**Compax3M motor  
cable**

<80m per axis (the cable must not be rolled up!)

The entire length of the motor cable per axis combination may not exceed 300m.

A **motor output filter** (see on page 353) is required for motor cables >20 m:

- ◆ MDR01/04 (max. 6.3 A rated motor current)
- ◆ MDR01/01 (max. 16 A rated motor current)
- ◆ MDR01/02 (max. 30 A rated motor current)

**Shielding connection of the motor cable**

The cable must be fully-screened and connected to the Compax3 housing. Use the cable clamps/shield connecting terminals furnished with the device.

The shield of the cable must also be connected with the motor housing. The fixing (via plug or screw in the terminal box) depends on the motor type.

**Compax3 encoder cable:** < 100 m

**Compax3M encoder cable:** < 80m

**Cable für Compax3S, Compax3M** Corresponding to the specifications of the terminal clamp with a temperature range of up to 60°C.

**Cable für Compax3H** Corresponding to the specifications of the terminal clamp with a temperature range of up to 75°C.

**Cable installation:**

- ◆ Signal lines and power lines should be installed as far apart as possible.
- ◆ Signal lines should never pass close to excessive sources of interference (motors, transformers, contactors etc.).
- ◆ Do not place mains filter output cable parallel to the load cable.

### 1.7.1.3 Additional conditions of utilization

**Motors:** Operation with standard motors.

**Control:** Use only with aligned controller (to avoid control loop oscillation).

**Grounding:** Connect the filter housing and the device to the cabinet frame, making sure that the contact area is adequate and that the connection has low resistance and low inductance.

Never mount the filter housing and the device on paint-coated surfaces!

**Compax3S300V4** For CE and UL conform operation of the Compax3S300V4, a mains filter is compulsory:

- ◆ 400 VAC / 0.740 mH certified in accordance with EN 61558-1 bzw. 61558-2-2
- ◆ We offer the mains filter as an accessory: LIR01/01

**Accessories:** Make sure to use only the accessories recommended by Parker

**Connect all cable shields at both ends, ensuring large contact areas!**

**Warning:**

**This is a product in the restricted sales distribution class according to EN 61800-3. In a domestic area this product can cause radio frequency disturbance, in which case the user may be required to implement appropriate remedial measures.**

## 1.7.2. Conditions of utilization for UL certification Compax3S

### UL certification for Compax3S

conform to UL:	◆ according to UL508C
Certified	◆ E-File_No.: E235342

The UL certification is documented by a "UL" logo on the device (type specification plate).



"UL" logo:

### Conditions of utilization

- ◆ The devices are only to be installed in a degree of contamination 2 environment (maximum).
- ◆ The devices must be appropriately protected (e.g. by a switching cabinet).
- ◆ The X2 terminals are not suitable for field wiring.
- ◆ Tightening torque of the field wiring terminals ( green Phoenix plugs)
 

◆ C3S0xxV2	0.57 - 0.79Nm	5 - 7Lb.in
◆ C3S1xxV2, C3S0xxV4, C3S150V4	0.57 - 0.79Nm	5 - 7Lb.in
◆ C3S300V4	1.25 - 1.7Nm	11 - 15Lb.in
- ◆ Temperature rating of field installed conductors shall be at least 60°C Use copper lines only  
Please use the cables described in the **accessories chapter** (see on page 339, see on page 341), they feature a temperature rating of at least 60°C.
- ◆ Maximum Surrounding Air Temperature: 45°C.
- ◆ Suitable for use on a circuit capable of delivering not more than 5000 rms symmetrical amperes and 480 volts maximum.



#### ATTENTION

Danger of electric shock.  
Discharge time of the bus condenser is 10 minutes.

- ◆ The drive provides internal motor overload protection.  
This must be set so that 200% of the motor nominal current are not exceeded.
- ◆ Cable cross-sections
  - ◆ Mains input: corresponding to the recommended fuses.
  - ◆ Motor cable: corresponding to the **Nominal output currents** (see on page 391, see on page 392)
  - ◆ Maximum cross-section limited by the terminals mm<sup>2</sup> / AWG
 

◆ C3S0xxV2	2.5mm <sup>2</sup>	AWG 12
◆ C3S1xxV2, C3S0xxV4, C3S150V4	4.0mm <sup>2</sup>	AWG 10
◆ C3S300V4	6.0mm <sup>2</sup>	AWG 7
- ◆ Circuit breaker  
In addition to the main circuit breaker, the devices must be equipped with a S271 K or S273 K circuit breaker with K characteristic made by ABB.
  - ◆ C3S025V2: ABB, nom 480V 10A, 6kA
  - ◆ C3S063V2: ABB, nom 480V, 16A, 6kA
  - ◆ C3S100V2: ABB, nom 480V, 16A, 6kA
  - ◆ C3S150V2: ABB, nom 480V, 20A, 6kA
  - ◆ C3S015V4: ABB, nom 480V, 6A, 6kA
  - ◆ C3S038V4: ABB, nom 480V, 10A, 6kA
  - ◆ C3S075V4: ABB, nom 480V, 16A, 6kA
  - ◆ C3S150V4: ABB, nom 480V, 20A, 6kA
  - ◆ C3S300V4: ABB, nom 480V, 25A, 6kA

### 1.7.3. Conditions of utilization for UL certification Compax3M

#### UL-approval for PSUP/Compax3M

conform to UL:	◆ according to UL508C
Certified	◆ E-File_No.: E235342

The UL certification is documented by a "UL" logo on the device (type specification plate).



#### Conditions of utilization

- ◆ The devices are only to be installed in a degree of contamination 2 environment (maximum).
- ◆ The devices must be appropriately protected (e.g. by a switching cabinet).
- ◆ Tightening torque of the field wiring terminals ( green Phoenix plugs)

Device	X40: Ballast resistor	X41: Mains connector	X9: 24VDC
PSUP10	0.5 Nm (4.43Lb.in)	1.2 Nm (10.62Lb.in)	1.2 Nm (10.62Lb.in)
PSUP20	0.5 Nm (4.43Lb.in)	1.7 Nm (15Lb.in)	1.2 Nm (10.62Lb.in)
PSUP30	UL approval in preparation		
Device	X43: Motor connector	X15: Temperature monitoring	
C3M050-150	0.5Nm (4.43Lb.in)	0.22Nm (1.95Lb.in)	
C3M300	1.2Nm (10.62Lb.in)	0.22Nm (1.95Lb.in)	

- ◆ Temperature rating of field installed conductors shall be at least 60°C Use copper lines only  
Please use the cables described in the **accessories chapter** (see on page 339, see on page 341), they feature a temperature rating of at least 60°C.
- ◆ Maximum Surrounding Air Temperature: 40°C.
- ◆ Suitable for use on a circuit capable of delivering not more than 5000 rms symmetrical amperes and 480 volts maximum.



#### Caution!

Danger of electric shock.

Discharge time of the bus capacitor is 10 minutes.

- ◆ The drive provides internal motor overload protection.  
This must be set so that 200% of the motor nominal current are not exceeded.
- ◆ Cable cross-sections
  - ◆ Mains input: corresponding to the recommended fuses.
  - ◆ Motor cable: corresponding to the **Nominal output currents** (see on page 391, see on page 392)
- ◆ Maximum cross-section limited by the terminals mm<sup>2</sup> / AWG

#### Line cross-sections of the power connections (on the device bottoms)

Compax3 device:	Cross-section: Minimum... Maximum [with conductor sleeve]
M050, M100, M150	0.25 ... 4 mm <sup>2</sup> (AWG: 23 ... 11)
M300	0.5 ... 6 mm <sup>2</sup> (AWG: 20 ... 10)
PSUP10	Mains supply: 0.5 ... 6 mm <sup>2</sup> (AWG: 20 ... 10) Braking resistor: 0.25 ... 4 mm <sup>2</sup> (AWG: 23 ... 11)
PSUP20 & PSUP30	Mains supply: 0.5 ... 16 mm <sup>2</sup> (AWG: 20 ... 6) Braking resistor: 0.25 ... 4 mm <sup>2</sup> (AWG: 23 ... 11)

## 1.7.4. Conditions of utilization for UL certification Compax3H

### UL certification for Compax3H

Conform to UL:	◆ according to UL508C
Certified	◆ E-File_No.: E235342

The UL certification is documented by a "UL" logo on the device (type specification plate).

"UL" logo:



### Conditions of utilization

- ◆ The devices are only to be installed in a degree of contamination 2 environment (maximum).
- ◆ The devices must be appropriately protected (e.g. by a switching cabinet).
- ◆ Tightening Torque of the Field Wiring Terminals.

### Terminal clamps - max. line cross sections

The line cross sections must correspond to the locally valid safety regulations. The local regulations have always priority.

	Power clamps (minimum/maximum section)	
<b>C3H050V4</b>	2.5 / 16mm <sup>2</sup>	
	Massive	Multiwire
<b>C3H090V4</b>	16 / 50mm <sup>2</sup>	25 / 50mm <sup>2</sup>
<b>C3H1xxV4</b>	25 / 95mm <sup>2</sup>	35 / 95mm <sup>2</sup>

***The standard connection clamps of Compax3H090V4 and Compax3H1xxV4 are not suitable for flat line bars.***

***Temperature rating of field installed conductors shall be at least 75°C. Do only use copper lines.***

- ◆ Maximum Surrounding Air Temperature: 45°C.
- ◆ Short Circuit Rating - Suitable for use on a circuit capable of delivering not more than 10000 RMS symmetrical amperes and 480 volts maximum.

**CAUTION** Danger of electric shock.



Upon removing power to the equipment, wait minimum 10 minutes before accessing the drive to ensure internal voltage levels are less than 50VDC.

- ◆ The drive provides internal motor overload protection.  
This must be set so that 200% of the motor nominal current are not exceeded.
- ◆ Cable cross-sections
  - ◆ Mains input: corresponding to the recommended fuses.
  - ◆ Motor cable: corresponding to the **Nominal output currents** (see on page 391, see on page 392)
  - ◆ This device is provided with Solid State Short Circuit (output) Protection.



### 1.7.5. Current on the mains PE (leakage current)



#### Caution!

This product can cause a direct current in the protective lead. If a residual current device (RCD) is used for protection in the event of direct or indirect contact, only a type B (all current sensitive) RCD is permitted on the current supply side of this product. Otherwise, a different protective measure must be taken, such as separation from the environment by doubled or enforced insulation or separation from the mains power supply by means of a transformer.

Please heed the connection instructions of the RCD supplier.

Mains filters do have high leakage currents due to their internal capacity. An internal mains filter is usually integrated into the servo controllers. Additional leakage currents are caused by the capacities of the motor cable and of the motor windings. Due to the high clock frequency of the power output stage, the leakage currents do have high-frequency components. Please check if the FI protection switch is suitable for the individual application.

If an external mains filter is used, an additional leakage current will be produced.

The figure of the leakage current depends on the following factors:

- ◆ Length and properties of the motor cable
- ◆ Switching frequency
- ◆ Operation with or without external mains filter
- ◆ Motor cable with or without shield network
- ◆ Motor housing grounding (how and where)

#### Remark:

- ◆ The leakage current is important with respect to the handling and usage safety of the device.
- ◆ A pulsing leakage current occurs if the supply voltage is switched on.

#### Please note:

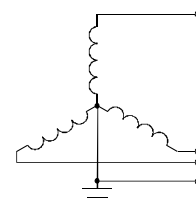
The device must be operated with effective grounding connection, which must comply with the local regulations for high leakage currents (>3.5mA).

Due to the high leakage currents it is not advisable to operate the servo drive with an earth leakage circuit breaker.

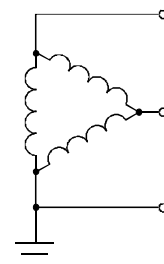
### 1.7.6. Supply networks

This product is designed for fixed connection to TN networks (TN-C, TN-C-S or TN-S). Please note that the line-earth voltage may not exceed 300VAC.

- ◆ When grounding the neutral conductor, mains voltages of up to 480VAC are permitted.



- ◆ When grounding an external conductor (delta mains, two-phase mains), mains voltages (external conductor voltages) of up to 240VAC are permitted.



Devices which are to be connected to an IT network must be provided with a separating transformer. Then the devices are operated locally as in a TN network. The secondary sided center of the separating transformer must be grounded and connected to the PE connector of the device.

## 2. Compax3 Xxx I21T11 Introduction

Due to its high functionality, the Positioning version of Compax3 forms an ideal basis for many applications in high-performance motion automation.

Up to 31 motion profiles with the motion functions:

- ◆ Absolute or relative positioning,
- ◆ electronic gearbox,
- ◆ register-related positioning,
- ◆ speed control,
- ◆ Stop - Set
- ◆ ...

can be created with the help of the PC software.

Via different operating modes:

- ◆ Speed Control
- ◆ Direct positioning
- ◆ Positioning with set selection

the motion functions can be triggered via the bus.

A number of different transfer telegrams, which can be conveniently adjusted with the Compax3 ServoManager), can be used to adjust cyclic bus communication to the requirements of specific applications.

### Compax3 control technology

High-performance control technology and openness for various sender systems are fundamental requirements for a fast and high-quality automation of movement.

### Model / standards / auxiliary material

The structure and size of the device are of considerable importance. High-quality electronics are a fundamental requirement for the particularly small and compact form of the Compax3 devices. All connectors are located on the front of the Compax3S.

Partly integrated mains filters permit connection of motor cables up to a certain length without requiring additional measures. EMC compatibility is within the limits set by EN 61800-3, Class A. The Compax3 is CE-conform.

The intuitive user interface familiar from many applications, together with the oscilloscope function, wizards and online help, simplifies making and modifying settings via the PC.

The optional **Operator control module (BDM01/01)** (see on page 375) for Compax3S/F makes it possible to exchange devices quickly without requiring a PC.



**Configuration** Configuration is made with a PC with the help of the Compax3 ServoManager.  
**General proceeding** (see on page 105)

### CANopen ratings

<b>Profile</b>	◆ Motion Control CiADS402
<b>Baud rate [kBit/s]</b>	◆ 20, 50, 100, 125, 250, 500, 800, 1000
<b>EDS file</b>	◆ C3.EDS
<b>Service data object</b>	◆ SDO1
<b>Process data objects</b>	◆ PDO1 ◆ PDO2
<b>Synchronicity precision of the SYNC telegram</b>	◆ maximum jitter: +/-25µs ◆ Typical cycle times: >= 1ms
<b>Deviations from the CANopen Device Profile DSP402</b>	◆ For the velocity mode profile the setpoint acceleration is also applicable when braking. ◆ Only one rotation speed is possible for machine zero run start (objects 0x6099.1 and .2 are the same).

# 3. Compax3 device description

## In this chapter you can read about:

Meaning of the status LEDs - Compax3 axis controller .....	28
Meaning of the status LEDs - PSUP (mains module) .....	29
Connections of Compax3S .....	30
Installation instructions Compax3M .....	39
PSUP/Compax3M Connections .....	41
Connections of Compax3H .....	51
Communication interfaces .....	59
Signal interfaces .....	64
Installation and dimensions Compax3 .....	70
Safety function - STO (=safe torque off) .....	79

## 3.1 Meaning of the status LEDs - Compax3 axis controller

Device status LEDs	Right LED (red)	Left LED (green)
Voltages missing	off	off
During the booting sequence	alternately flashing	
<ul style="list-style-type: none"> <li>◆ No configuration present.</li> <li>◆ SinCos<sup>®</sup> feedback not detected.</li> <li>◆ Compax3 IEC61131-3 program not compatible with Compax3 Firmware.</li> <li>◆ no Compax3 IEC61131-3 program</li> <li>◆ For F12: Hall signals invalid.</li> </ul>	flashes slowly	off
Axis without current excitation	off	flashes slowly
Power supplied to axis; commutation calibration running	off	flashes quickly
Axis with current excitation	off	on
Axis in fault status / fault present / axis energized (error reaction 1)	flashes quickly	on
Axis in fault status / fault present / axis currentless (error reaction 2)	on	off
Compax3 faulty: please contact us	on	on

**Note on Compax3H:** The **internal** device status LEDs are only connected to the **external** housing LEDs, if the RS232 jumper at X10 is fitted to the control and the upper dummy cover is fitted.

### 3.2 Meaning of the status LEDs - PSUP (mains module)

PSUP Status LEDs	Left LED (green)	Right LED (red)
Control voltage 24 VDC is missing	off	off
Error of mains module*	off	on
DC power voltage is built up	-	flashes quickly
Phase failure / mains power supply undervoltage	on	flashes slowly
Address assignment CPU active	flashes quickly	-
Address assignment CPU completed	flashes slowly	-
PSUPxx Ready - State	on	off
Incorrect wiring of internal communication X30/31	flashes slowly	flashes quickly
Device in bootloader state	flashes slowly	flashes slowly

\*can be read out in each axis controller



#### Caution!

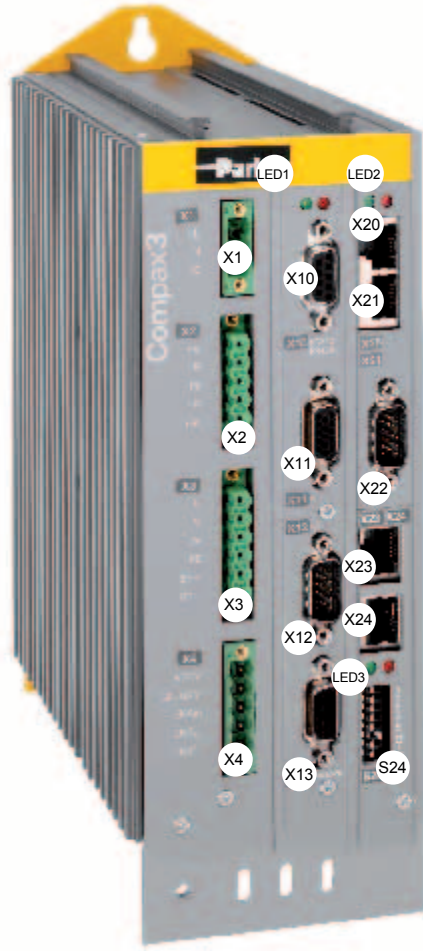
When the control voltage is missing there is no indication whether or not high voltage supply is available.

### 3.3 Connections of Compax3S

**In this chapter you can read about:**

Compax3S connectors ..... 30  
 Connector and pin assignment C3S..... 31  
 Control voltage 24VDC / enable connector X4 C3S ..... 33  
 Motor / Motor brake (C3S connector X3) ..... 34  
 Compax3Sxxx V2 ..... 35  
 Compax3Sxxx V4 ..... 37

#### 3.3.1. Compax3S connectors



<b>X1</b>	AC Supply	<b>X20</b>	HEDA in (Option)	
<b>X2</b>	Ballast / DC power voltage	<b>X21</b>	HEDA out (Option)	
<b>X3</b>	Motor / Brake	<b>X22</b>	Inputs Outputs (Option M10/12)	
<b>X4</b>	24VDC / Enable	<b>X23/ X24</b>	Bus (Option)	Connector type depends on the bus system!
<b>X10</b>	RS232/RS485	<b>S24</b>	bus settings	
<b>X11</b>	Analog/Encoder	<b>LED1</b>	Device status LEDs	
<b>X12</b>	Inputs/Outputs	<b>LED2</b>	HEDA LEDs	
<b>X13</b>	Motor position feedback	<b>LED3</b>	Bus LEDs	



**Caution - Risk of Electric Shock!**

Always switch devices off before wiring them!

Dangerous voltages are still present until 10 min. after switching off the power supply.



**Caution!**

When the control voltage is missing there is no indication whether or not high voltage supply is available.



**Attention - PE connection!**

PE connection with 10mm<sup>2</sup> via a grounding screw at the bottom of the device.



**Attention - hot surface!**

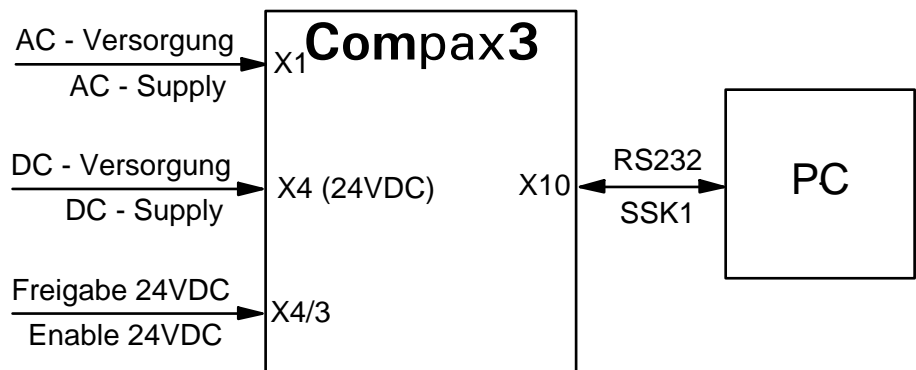
The heat dissipator can reach very high temperatures (>70°C)

**Line cross sections of the line connections X1, X2, X3**

Compax3 device:	Cross-section: Minimum... Maximum[mm <sup>2</sup> ]
S025V2, S063V2	0.25 ... 2.5 (AWG: 24 ... 12)
S100V2, S150V2 S015V4, S038V4, S075V4, S150V4	0.25 ... 4 (AWG: 24 ... 10)
S300V4	0.5 ... 6 (AWG: 20 ... 7)

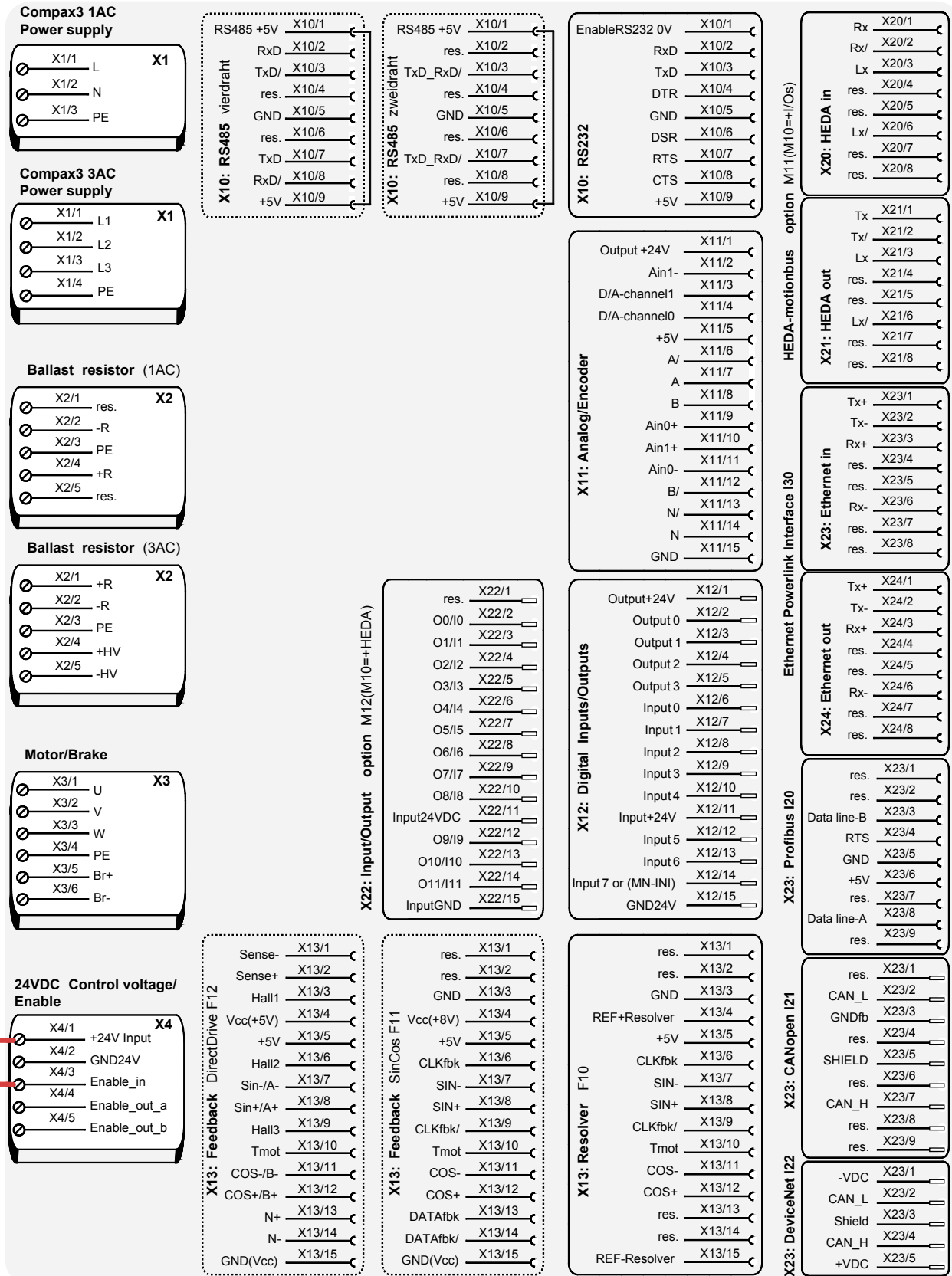
**3.3.2. Connector and pin assignment C3S**

Overview:



**Further information on the assignment of the plug mounted at the particular device can be found below!**

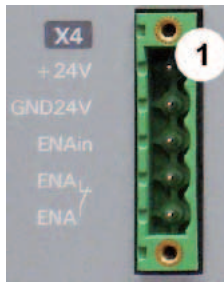
**In detail:** The fitting of the different plugs depends on the extension level of Compax3. In part, the assignment depends on the Compax3 option implemented.



The jumper drawn in at X4 (at the left side in red) is used to enable the device for testing purposes. During operation, the enable input is in most cases switched externally.



### 3.3.3. Control voltage 24VDC / enable connector X4 C3S



PIN	Description
1	+24V (supply)
2	Gnd24V
3	Enable_in
4	Enable_out_a
5	Enable_out_b

Line cross sections:  
 minimum: 0.25mm<sup>2</sup>  
 maximum: 2.5mm<sup>2</sup>  
 (AWG: 24 ... 12)

#### Control voltage 24VDC Compax3S and Compax3H

Controller type	Compax3
Voltage range	21 - 27VDC
Current drain of the device	0.8 A
Total current drain	0.8 A + Total load of the digital outputs + current for the motor holding brake
Ripple	0.5Vpp
Requirement according to safe extra low voltage (SELV)	yes
Short-circuit proof	conditional (internally protected with 3.15AT)

Hardware - enable (input X4/3 = 24VDC)

This input is used as safety interrupt for the power output stage.

Tolerance range: 18.0V - 33.6V / 720Ω

#### "Safe torque off (X4/3=0V)

For implementation of the "safety torque off" safety feature in accordance with the "protection against unexpected start-up" described in EN1037. Observe instructions in the corresponding **chapter** (see on page 79) with the circuitry examples!

The energy supply to the drive is reliably shut off, the motor has no torque.

A relay contact is located between X4/4 and X4/5 (normally closed contact)

Enable_out_a - Enable_out_b	Power output stage is
Contact opened	activated
Contact closed	disabled

Series connection of these contacts permits certain determination of whether all drives are de-energized.

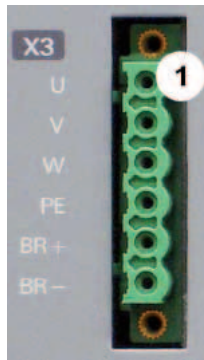
#### Relay contact data:

Switching voltage (AC/DC): 100mV - 60V

Switching current: 10mA - 0.3A

Switching power: 1mW...7W

### 3.3.4. Motor / Motor brake (C3S connector X3)



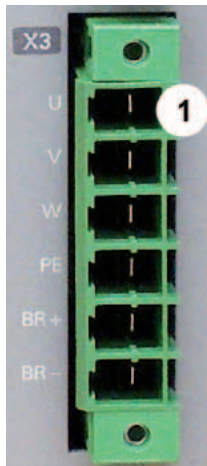
PIN	Designation	Motor cable lead designation*			
1	U (motor)	U / L1 / C / L+	1	U1	
2	V (motor)	V / L2	2	V2	
3	W (motor)	W / L3 / D / L-	3	W3	
4	PE (motor)	YE / GN	YE / GN	YE / GN	
5	BR+	Motor holding brake	WH	4	Br1
6	BR-	Motor holding brake	BK	5	Br2

\* depending on the cable type

#### Requirements for motor cable

< 100m (the cable should not be rolled up!)

A **motor output filter** (see on page 353) is required for motor cables >20 m:



#### Shielding connection of the motor cable

The cable must be fully-screened and connected to the Compax3 housing. Use the cable clamps/shield connecting terminals furnished with the device.

The shield of the cable must also be connected with the motor housing. The fixing (via plug or screw in the terminal box) depends on the motor type.

#### Attention - Please wire the motor holding brake!

Connect the brake only on motors which have a holding brake! Otherwise make no brake connections at all.



#### Requirements cables for motor holding brake

If a motor holding brake is present, **one cable** of the motor holding brake must be fed on the device side through the toroidal core ferrite provided as accessory ZBH0x/xx (63Ω @1MHz, di=5.1mm), in order to ensure error-free switching on and off of the motor holding brake.

#### Motor holding brake output

Motor holding brake output	Compax3
Voltage range	21 – 27VDC
Maximum output current (short circuit proof)	1.6A

Motor cable

### 3.3.5. Compax3Sxxx V2

In this chapter you can read about:

Main voltage supply C3S connector X1 .....35  
 Braking resistor / high voltage DC C3S connector X2 .....36

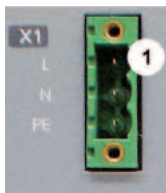
#### 3.3.5.1 Main voltage supply C3S connector X1

Device protection

By cyclically switching on and off the power voltage, the input current limitation can be overloaded, which will cause a device error.

Therefore please wait at least 2 minutes after switching off before you switch the device on again!

#### Power supply plug X1 for 1 AC 230VAC/240VAC devices



PIN	Designation
1	L
2	N
3	PE

#### Mains connection Compax3S0xxV2 1AC

Controller type	S025V2	S063V2
Supply voltage	Single phase 230VAC/240VAC 80-253VAC / 50-60Hz	
Input current	6Arms	13Arms
Maximum fuse rating per device (=short circuit rating)	10 A (MCB miniature circuit breaker, K characteristic)	16A (automatic circuit breaker K)

\* for **UL conform operation** (see on page 22), a miniature circuit breaker, K characteristic, Type S203 is to be used.

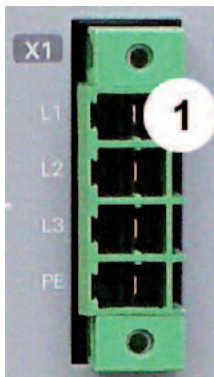


#### Caution - Risk of Electric Shock!

Always switch devices off before wiring them!

Dangerous voltages are still present until 10 min. after switching off the power supply.

#### Power supply plug X1 for 3AC 230VAC/240VAC devices



PIN	Designation
1	L1
2	L2
3	L3
4	PE

#### Mains connection Compax3S1xxV2 3AC

Controller type	S100V2	S150V2
Supply voltage	Three phase 3* 230VAC/240VAC 80-253VAC / 50-60Hz	
Input current	10Arms	13Arms
Maximum fuse rating per device (=short circuit rating)	16A	20A
	<b>MCB miniature circuit breaker, K characteristic</b>	

\* for **UL conform operation** (see on page 22), a miniature circuit breaker, K characteristic, Type S203 is to be used.

**Caution!** The 3AC V2 devices must only be operated with three phases!



**Caution - Risk of Electric Shock!**

Always switch devices off before wiring them!

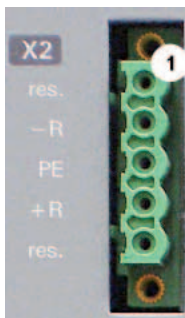
Dangerous voltages are still present until 10 min. after switching off the power supply.

**3.3.5.2 Braking resistor / high voltage DC C3S connector X2**

The energy generated during braking operation is absorbed by the Compax3 storage capacity.

If this capacity is too small, the braking energy must be drained via a braking resistor.

**Braking resistor / high voltage supply plug X2 for 1AC 230VAC/240VAC devices**



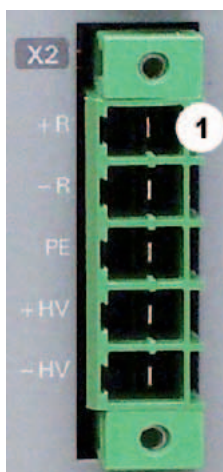
PIN	Designation
1	factory use
2	- braking resistor (not short-circuit protected!)
3	PE
4	+ braking resistor (not short-circuit protected!)
5	factory use

**Braking operation Compax3S0xxV2 1AC**

Controller type	S025V2	S063V2
Capacitance / storable energy	560µF / 15Ws	1120µF / 30Ws
Minimum braking- resistance	100Ω	56Ω
Recommended nominal power rating	20 ... 60W	60 ... 180W
Maximum continuous current	8A	15A

**Caution!** The power voltage DC of two Compax3 1AC V2 devices (230VAC/240VAC devices) must not be connected.

**Braking resistor / high voltage supply plug X2 for 3AC 230VAC/240VAC devices**



PIN	Description	
1	+ Braking resistor	no short-circuit protection!
2	- Braking resistor	
3	PE	
4	+ DC high voltage supply	
5	- DC high voltage supply	

**Braking operation Compax3S1xxV2 3AC**

Controller type	S100V2	S150V2
Capacitance / storable energy	780µF / 21Ws	1170µF / 31Ws
Minimum braking- resistance	22Ω	15Ω
Recommended nominal power rating	60 ... 450W	60 ... 600W
Maximum continuous current	20A	20A

**Connection of a braking resistor**

Minimum line cross section: 1.5mm<sup>2</sup>

Maximum line length: 2m

Maximum output voltage: 400VDC

### 3.3.6. Compax3Sxxx V4

In this chapter you can read about:

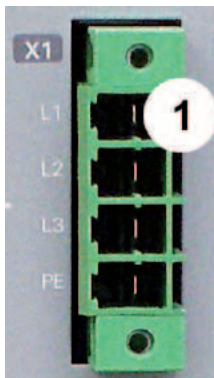
Power supply connector X1 for 3AC 400VAC/480VAC-C3S devices .....	37
Braking resistor / high voltage supply connector X2 for 3AC 400VAC/480VAC_C3S devices .....	37
Connection of the power voltage of 2 C3S 3AC devices .....	38

#### 3.3.6.1 Power supply connector X1 for 3AC 400VAC/480VAC-C3S devices

##### Device protection

By cyclically switching on and off the power voltage, the input current limitation can be overloaded, which will cause a device error.

Therefore please wait at least 2 minutes after switching off before you switch the device on again!



PIN	Designation
1	L1
2	L2
3	L3
4	PE

#### Mains connection Compax3SxxxV4 3AC

Controller type	S015V4	S038V4	S075V4	S150V4	S300V4
Supply voltage	Three phase 3*400VAC/480VAC 80-528VAC / 50-60Hz				
Input current	3Aeff	6Arms	10Arms	16Arms	22Arms
Maximum fuse rating per device(=short circuit rating)	6A	10A	16A	20A	25A
	MCB miniature circuit breaker, K characteristic				D*

\* for **UL conform operation** (see on page 22), a miniature circuit breaker, K characteristic, Type S203 is to be used.

##### Caution!



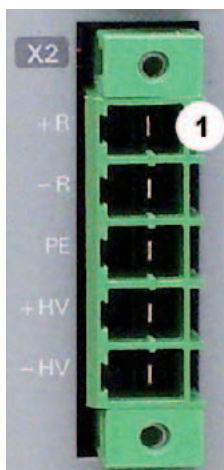
**The 3AC V4 devices must only be operated with three phases!**

##### Caution - Risk of Electric Shock!

Always switch devices off before wiring them!

Dangerous voltages are still present until 10 min. after switching off the power supply.

#### 3.3.6.2 Braking resistor / high voltage supply connector X2 for 3AC 400VAC/480VAC\_C3S devices



PIN	Description	
1	+ Braking resistor	no short-circuit protection!
2	- Braking resistor	
3	PE	
4	+ DC high voltage supply	
5	- DC high voltage supply	

**Braking operation Compax3SxxxV4 3AC**

Controller type	S015V4	S038V4	S075V4	S150V4	S300V4
Capacitance / storable energy 400V / 480V	235 $\mu$ F 37 / 21 Ws	235 $\mu$ F 37 / 21 Ws	470 $\mu$ F 75 / 42 Ws	690 $\mu$ F 110 / 61 Ws	1230 $\mu$ F 176 / 98 Ws
Minimum braking- resistance	100 $\Omega$	100 $\Omega$	56 $\Omega$	33 $\Omega$	15 $\Omega$
Recommended nominal power rating	60 ... 100W	60 ... 250W	60 ... 500 W	60 ... 1000 W	60 ... 1000 W
Maximum continuous current	10A	10A	15A	20A	30A

**Connection of a braking resistor**

Minimum line cross section: 1.5mm<sup>2</sup>

Maximum line length: 2m

Maximum output voltage: 800VDC

**3.3.6.3 Connection of the power voltage of 2 C3S 3AC devices****Caution!**

**The power voltage DC of the single phase Compax3 servo axes must not be connected!**

In order to improve the conditions during brake operation, the DC power voltage of 2 servo axes may be connected.

The capacity as well as the storable energy are increased; furthermore the braking energy of one servo axis may be utilized by a second servo axis, depending on the application.



**It is not permitted to connect the power voltage in order to use one brake circuit for two servo axes, as this function cannot be ensured reliably.**

**Note the following:**

**Caution! In case of non-compliance with the following instructions, the device may be destroyed!**

- ◆ You can only connect two similar servo axes (same power supply; same rated currents)
- ◆ Connected servo axes must always be fed separately via the AC power supply. If the external pre-fuse of one of the servo axes takes action, the second servo axis must also be disconnected automatically.

**Please connect as follows:**

Servo axis 1 X2/4 to servo axis 2 X2/4

Servo axis 1 X2/5 to servo axis 2 X2/5

## 3.4 Installation instructions Compax3M

### General introductory notes

- ◆ Operation of the Compax3M multi-axis combination is only possible in connection with a PSUP (mains module).
- ◆ Axis controllers are aligned at the right of the mains module.
- ◆ Arrangement within the multi-axis combination sorted by power (with the same device types according to device utilization), the axis controller with the highest power is placed directly at the right of the mains module.  
e.g. first the device type with high utilization, at the right of this, the same device type with a lower utilization.
- ◆ Max. 15 Compax3M (axis controllers) per PSUP (mains module) are permitted (please respect the total capacity of max. 2400 $\mu$ F for PSUP10, max. 5000 $\mu$ F for PSUP20).
- ◆ The continuation of the current rail connection outside the axis combination is not permitted and will lead to a loss of the CE and UL approbation.
- ◆ External components **may not** be connected to the rail system.

### Required tools:

- ◆ Allen key M5 for fixing the devices in the control cabinet.
- ◆ Crosstip screwdriver M4 for connection rails of the DC rail modules.
- ◆ Crosstip screwdriver M5 for grounding screw of the device.
- ◆ Flat-bladed screwdriver 0.4x2.5 / 0.6x3.5 / 1.0x4.0 for wiring and mounting of the phoenix clamps.

## Order of installation

- ◆ Fixing the devices in the control cabinet.
  - ◆ Predrilling the mounting plate in the control cabinet according to the specifications. Dimensions. Fit M5 screws loosely in the bores.
  - ◆ Fit device on the upper screws and place on lower screw. Tighten screws of all devices. The tightening torque depends on the screw type (e.g. 5.9Nm for M5 screw DIN 912 8.8).
- ◆ Connection of the internal supply voltage.

The Compax3M axis controllers are connected to the supply voltages via the rail modules. **Details** (see on page 43).

  - ◆ Deblocking the yellow protective cover with a flat-bladed screwdriver on the upper surface (click mechanism). Remove the closing devices (contact protection) that are not required from between the devices.
  - ◆ Connecting the rail modules, beginning with the mains module.

For this, loosen crosshead screws (5 screws at the right in the mains module, all 10 screws in the next axis controller), push the rails one after the other against to the left and tighten screws. Proceed accordingly for all adjacent axis controllers in the combination.  
Max. tightening torque: 1.5Nm.
  - ◆ Close all protective covers. The protective covers must latch audibly.

### Please note:

Insufficiently fixed screw connections of the DC power voltage rails may lead to the destruction of the devices.

## Protective seals



### Caution - Risk of Electric Shock!

**In order to secure the contact protection against the alive rails, it is absolutely necessary to respect the following:**

- ◆ Insert the yellow plastic comb at the left or right of the rails.

Make sure that the yellow plastic combs are placed at the left of the first device and at the right of the last device in the system and have not been removed.
- ◆ Setup of the devices only with closed protective covers.
- ◆ Connect protective earth to mains module (M5 crosshead screw on front of device bottom).
- ◆ Connecting the internal communication. **Details** (see on page 60).
- ◆ Connecting the signal and fieldbus connectors. **Details** (see on page 64).
- ◆ Connection of mains power supply **Details** (see on page 44) ballast resistor **details** (see on page 47) and motor **details** (see on page 49).
- ◆ Connecting the configuration interface to the PC. **Details** (see on page 60).

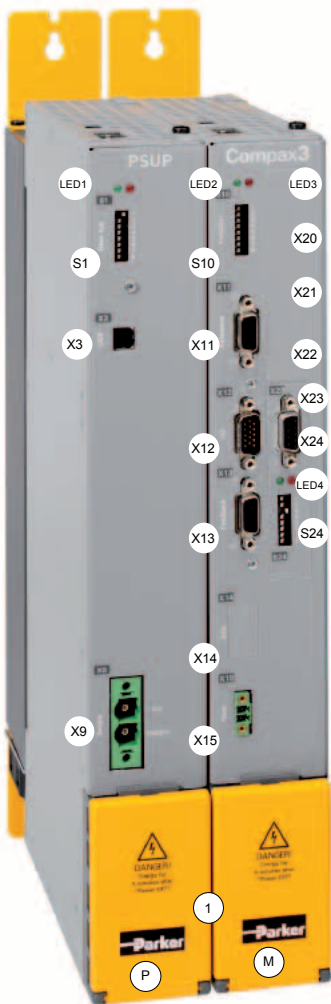


### 3.5 PSUP/Compax3M Connections

**In this chapter you can read about:**

Front connector ..... 41  
 Connections on the device bottom ..... 42  
 Connections of the axis combination ..... 43  
 Control voltage 24VDC PSUP (mains module) ..... 44  
 Mains supply PSUP (mains module) X41 ..... 44  
 Braking resistor / temperature switch PSUP (mains module) ..... 47  
 Motor / motor brake Compax3M (axis controller) ..... 49  
 Safety technology option for Compax3M (axis controller) ..... 50

#### 3.5.1. Front connector



P	Mains module PSUP
LED1	Status LEDs Mains module
S1	Basic address
X3	Configuration interface (USB)
X9	Supply voltage 24VDC
M	Axis controller
LED2	Status LEDs of the axis
S10	Function
X11	Analog/Encoder
X12	Inputs/Outputs
X13	Motor position feedback
X14	Safety technology (option)
X15	Motor temperature monitoring
LED3	HEDA LEDs
X20	HEDA in (Option)
X21	HEDA out (Option)
X22	Inputs Outputs (Option M10/12)
X23	Bus (option) connector type depends on the bus system!
X24	Bus (option) depends on the bus system!
LED4	Bus LEDs
S24	bus settings
1	Behind the yellow protective covers you can find the rails for the supply voltage connection. ♦ Supply voltage 24VDC ♦ DC power voltage supply

### 3.5.2. Connections on the device bottom



#### Caution - Risk of Electric Shock!

Always switch devices off before wiring them!

Dangerous voltages are still present until 10 min. after switching off the power supply.



#### Caution!

When the control voltage is missing there is no indication whether or not high voltage supply is available.



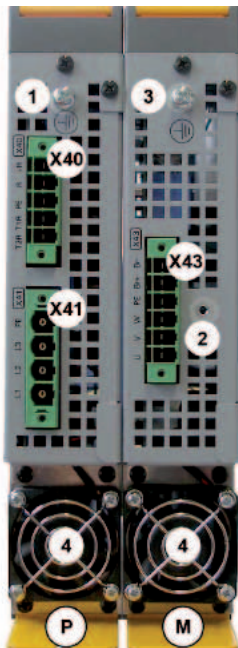
#### Attention - PE connection!

PE connection with 10mm<sup>2</sup> via a grounding screw at the bottom of the device.



#### Attention - hot surface!

The heat dissipator can reach very high temperatures (>70°C)



<b>P</b>	<b>Mains module PSUP</b>
X40	Ballast resistor
X41	Mains supply VAC/PE
1	Central ground connection for the axis system, with 10mm <sup>2</sup> to the ground screw on the housing.
4	Fan*
<b>M</b>	<b>Axis controller</b>
X43	Motor / Brake
2	Fixing for motor shield clamp
4	Fan*
3	optionally, the axis controller features a ground screw on the housing, if the grounding is not possible via the back plate.

\* is internally supplied.

#### Line cross-sections of the power connections (on the device bottoms)

Compax3 device:	Cross-section: Minimum... Maximum [with conductor sleeve]
M050, M100, M150	0.25 ... 4 mm <sup>2</sup> (AWG: 23 ... 11)
M300	0.5 ... 6 mm <sup>2</sup> (AWG: 20 ... 10)
PSUP10	Mains supply: 0.5 ... 6 mm <sup>2</sup> (AWG: 20 ... 10) Braking resistor: 0.25 ... 4 mm <sup>2</sup> (AWG: 23 ... 11)
PSUP20 & PSUP30	Mains supply: 0.5 ... 16 mm <sup>2</sup> (AWG: 20 ... 6) Braking resistor: 0.25 ... 4 mm <sup>2</sup> (AWG: 23 ... 11)

### 3.5.3. Connections of the axis combination

The axis controllers are connected to the supply voltages via rails.

- ◆ Supply voltage 24VDC
- ◆ DC power voltage supply

The rails can be found behind the yellow protective covers. In order to connect the rails of the devices, you may have to remove the yellow plastic device inserted at the side.

#### CAUTION: Risk of Electric Shock



#### Caution - Risk of Electric Shock!

##### Please note before opening:

- ◆ **Warning** - Possible risk of electric shock; disconnect power before removing cover.
- ◆ **Caution!** - Dangerous electric voltage! Respect discharge time.



#### Caution - Risk of Electric Shock!

Always switch devices off before wiring them!

Dangerous voltages are still present until 10 min. after switching off the power supply.



#### Caution!

When the control voltage is missing there is no indication whether or not high voltage supply is available.

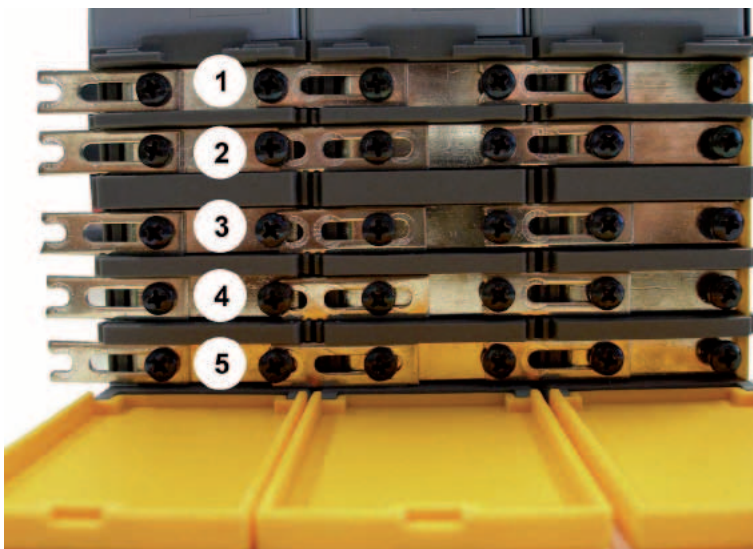
#### Protective seals



#### Caution - Risk of Electric Shock!

In order to secure the contact protection against the alive rails, it is absolutely necessary to respect the following:

- ◆ Insert the yellow plastic comb at the left or right of the rails.  
Make sure that the yellow plastic combs are placed at the left of the first device and at the right of the last device in the system and have not been removed.
- ◆ Setup of the devices only with closed protective covers.



- |   |        |
|---|--------|
| 1 | 24VDC  |
| 2 | GND24V |
| 3 | -HV DC |
| 4 | PE     |
| 5 | +HV DC |

**Note:** External components **may not** be connected to the rail system.

**Maximum capacity in the axis system:**

- ◆ PSUP10: 2400 µF
- ◆ PSUP20 & PSUP30: 5000 µF

**Reference value for the required capacity in an axis system**

100 µF per kW of the temporal medium value of the total power (transmissions + power dissipation) in the axis system

**Example: PSUP20 (1175 µF) with one axis controller (440 µF)**

Total power 15 kW, 100 µF/kW => 1500 µF required in the axis system.  
Axis system: 1615 µF are sufficient.

**Protective seals**

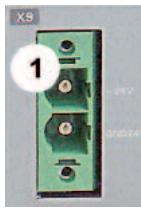


**Caution!**

The user is responsible for protective covers and/or additional safety measures in order to prevent damages to persons and electric accidents.

**3.5.4. Control voltage 24VDC PSUP (mains module)**

**Connector X9**



Pin	Designation
1	+24 V
2	GND24V

Line cross sections:  
minimum: 0.5mm<sup>2</sup> with conductor sleeve  
maximum: 6mm<sup>2</sup> with conductor sleeve  
(AWG: 20 ... 10)

**Control voltage 24 VDC PSUP**

Device type	PSUP
Voltage range	21 - 27VDC
Ripple	0.5Vpp
Requirement according to safe extra low voltage (SELV)	yes (class 2 mains module)
Current drain PSUP	PSUP10: 0.2A PSUP20 / PSUP30: 0.3A
Electric current drain Compax3M	C3M050D6: 0.85 3M100D6: 0.85A C3M150D6: 0.85A C3M300D6: 1.0 A + Total load of the digital outputs + current for the motor holding brake

**3.5.5. Mains supply PSUP (mains module) X41**

**Device protection**

By cyclically switching on and off the power voltage, the input current limitation can be overloaded, which may cause damage to the device.

**Wait at least one minute between two switching on processes!**

**Operation of the PSUP30 only with mains filter!**

**Connector X41**



Pin	Designation
PE	Earth conductor
L3	Phase 3
L2	Phase 2
L1	Phase 1

**Mains connection PSUP10D6**

Device type PSUP10	230V	400V	480V
<b>Supply voltage</b>	230VAC ±10% 50-60Hz	400VAC ±10% 50-60Hz	480VAC ±10% 50-60Hz
<b>Rated voltage</b>	3AC 230V	3AC 400V	3AC 480V
<b>Input current</b>	22Arms	22Arms	18Arms
<b>Output voltage</b>	325VDC ±10%	565VDC ±10%	680VDC ±10%
<b>Output power</b>	6kW	10 kW	10 kW
<b>Pulse power (&lt;5s)</b>	12kW	20kW	20kW
<b>Power dissipation</b>	60W	60W	60W
<b>Maximum circuit breaker rating per device (=short circuit rating)</b>	Measure for line and device protection: MCB miniature circuit breaker (K characteristic) 25A in accordance with UL category DIVQ Recommendation: (ABB) S203UP-K25 (480VAC)		

**Mains connection PSUP20D6**

Device type PSUP20	230V	400V	480V
<b>Supply voltage</b>	230VAC ±10% 50-60Hz	400VAC ±10% 50-60Hz	480VAC ±10% 50-60Hz
<b>Rated voltage</b>	3AC 230V	3AC 400V	3AC 480V
<b>Input current</b>	44Arms	44Arms	35Arms
<b>Output voltage</b>	325VDC ±10%	565VDC ±10%	680VDC ±10%
<b>Output power</b>	12kW	20kW	20kW
<b>Pulse power (&lt;5s)</b>	24kW	40kW	40kW
<b>Power dissipation</b>	120W	120W	120W
<b>Maximum circuit breaker rating per device (=short circuit rating) 2 special purpose fuses in line are required</b>	<b>Cable protection measure:</b> MCB (K characteristic) with a rating of 50A / 4xVAC (depending on the input voltage) Recommendation: (ABB) S203P-K50 (440VAC) <b>Device protection measure:</b> Circuit breakers 80A / 700VAC per supply leg in accordance with UL category JFHR2 Requirement: Bussmann 170M1366 or 170M1566D		

**PSUP30D6 Mains connection**

Device type PSUP30	230V	400V	480V
Supply voltage	230VAC ±10% 50-60Hz	400VAC ±10% 50-60Hz	480VAC ±10% 50-60Hz
Rated voltage	3AC 230V	3AC 400V	3AC 480V
Input current	50Arms	50Arms	42Arms
Output voltage	325VDC ±10%	565VDC ±10%	680VDC ±10%
Output power	17kW	30kW	30kW
Pulse power (<5s)	34kW	60kW	60kW
Power dissipation	140W	140W	140W
Maximum circuit breaker rating per device (=short circuit rating) 2 special purpose fuses in line are required	<b>Cable protection measure:</b> MCB (K characteristic) with a rating of 63A / 4xxVAC (depending on the input voltage) Recommendation: (ABB) S203P-K63 (440VAC) <b>Device protection measure:</b> Circuit breakers 125A / 700VAC per supply leg in accordance with UL category JFHR2 Requirement: Bussmann 170M1368 or 170M1568D		

**Caution!**

*Only three-phase operation of the PSUP devices is permitted!*

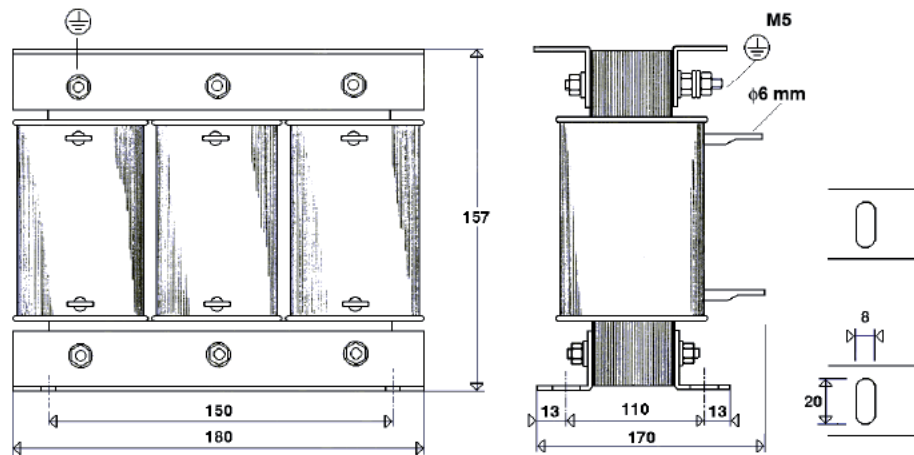
*The PSUP30 mains module may only be operated with mains filter (see on page 354)*

**Required mains filter for the PSUP30:** 0.45 mH / 55 A

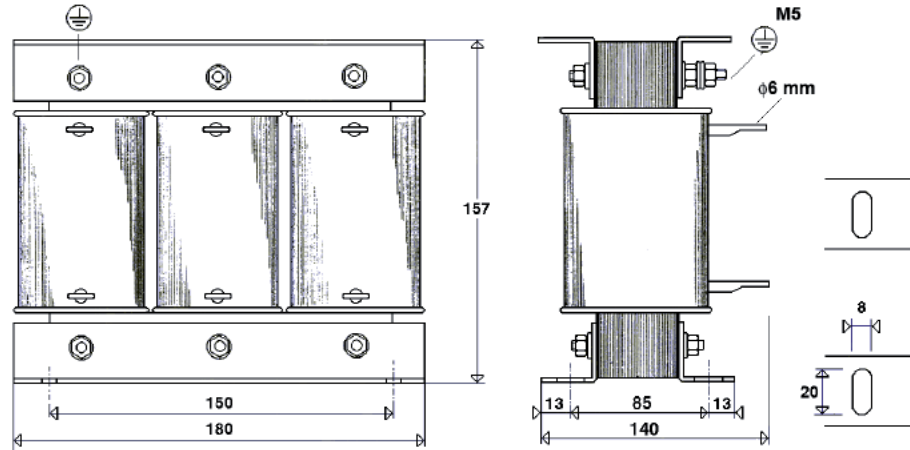
We offer the following mains filters:

- ◆ LCG-0055-0.45 mH (WxDxH: 180 mm x 140 mm x 157 mm; 10 kg)
- ◆ LCG-0055-0.45 mH-UL (with UL approval) (WxDxH: 180 mm x 170 mm x 157 mm; 15 kg)

**Dimensional drawing: LCG-0055-0.45 mH**



**Dimensional drawing: LCG-0055-0.45 mH-UL**



**Caution - Risk of Electric Shock!**

Always switch devices off before wiring them!

Dangerous voltages are still present until 10 min. after switching off the power supply.

**3.5.6. Braking resistor / temperature switch PSUP (mains module)**

The energy generated during braking operation must be dissipated via a braking resistor.

**Connector X40**



Pin	Description	
+R	+ Braking resistor	short-circuit proof!
-R	- Braking resistor	
PE	PE	
T1R	Temperature Switch	
T2R	Temperature Switch	

**Braking operation PSUPxxD6 (mains module)**

Device type	PSUP10	PSUP20	PSUP30
<b>Capacitance / storable energy</b>	550 $\mu$ F/ 92 Ws at 400 V 53 Ws at 480 V	1175 $\mu$ F/ 197 Ws at 400 V 114 Ws at 480 V	1175 $\mu$ F/ 197 Ws at 400 V 114 Ws at 480 V
<b>Minimum braking-resistance</b>	27 $\Omega$	15 $\Omega$	10 $\Omega$
<b>Recommended nominal power rating</b>	500 ... 1500 W	500 ... 3500 W	500 ... 5000 W
<b>Pulse power rating for 1s</b>	22 kW	40 kW	60 kW
<b>Maximum permissible continuous current</b>	13 A	15 A	15 A

**Maximum capacity in the axis system:**

- ◆ PSUP10: 2400  $\mu$ F
- ◆ PSUP20 & PSUP30: 5000  $\mu$ F

**Reference value for the required capacity in an axis system**

100  $\mu$ F per kW of the temporal medium value of the total power (transmissions + power dissipation) in the axis system

**Example: PSUP20 (1175  $\mu$ F) with one axis controller (440  $\mu$ F)**

Total power 15 kW, 100  $\mu$ F/kW => 1500  $\mu$ F required in the axis system.

**Axis system: 1615  $\mu$ F are sufficient.****Connection of a braking resistor on PSUP (mains module)**

Minimum line cross section:	1.5 mm <sup>2</sup>
Maximum line length:	2 m
Maximum intermediate circuit voltage:	810 VDC
Switch-on threshold:	780 VDC
Hysteresis	20 VDC

**Braking operation Compax3MxxxD6 (axis controller)**

Device type Compax3	M050	M100	M150	M300
<b>Capacity/ storable energy</b>	110 $\mu$ F/ 18Ws at 400V 10Ws at 480V	220 $\mu$ F/ 37Ws at 400V 21Ws at 480V	220 $\mu$ F/ 37Ws at 400V 21Ws at 480V	440 $\mu$ F/ 74Ws at 400V 42Ws at 480V

**3.5.6.1 Temperature switch PSUP (mains module)****Connector X40 Pin T1R, T2R****Temperature monitoring:**

The temperature switch (normally closed contact) must be connected, unless an error message will be issued.

**Temperature switch/relay**

No galvanic separation, the temperature sensor (normally closed contact) must comply with the safe separation according to EN 60664.

If there is no temperature monitoring due to the connected braking resistor, the T1R and T2R connections must be connected by a jumper.

**Caution!**

Without temperature monitoring, the braking resistor might be destroyed.



### 3.5.7. Motor / motor brake Compax3M (axis controller)

#### Connector X43



Compax3M motor cable

PIN	Designation	Motor cable lead designation*		
BR-	Motor holding brake *	BK	5	Br2
BR+	Motor holding brake *	WH	4	Br1
PE	PE (motor)	YE / GN	YE / GN	YE / GN
W	W (motor)	W / L3 / D / L-	3	U3
V	V (motor)	V / L2	2	U2
U	U (motor)	U / L1 / C / L+	1	U1

\* depending on the cable type

<80m per axis (the cable must not be rolled up!)

The entire length of the motor cable per axis combination may not exceed 300m.

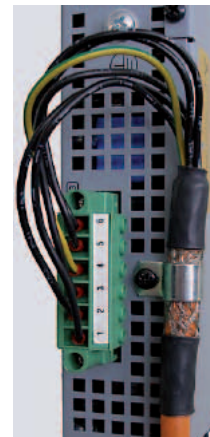
A **motor output filter** (see on page 353) is required for motor cables >20 m:

- ◆ MDR01/04 (max. 6.3 A rated motor current)
- ◆ MDR01/01 (max. 16 A rated motor current)
- ◆ MDR01/02 (max. 30 A rated motor current)

#### Shielding connection of the motor cable

The cable must be fully-screened and connected to the Compax3 housing. Use the cable clamps/shield connecting terminals furnished with the device.

The shield of the cable must also be connected with the motor housing. The fixing (via plug or screw in the terminal box) depends on the motor type.



Motor cables can be found in the accessories chapter of the device description.

#### Motor holding brake output

Motor holding brake output	Compax3
Voltage range	21 – 27VDC
Maximum output current (short circuit proof)	1.6A



#### Attention - Please wire the motor holding brake!

Connect the brake only on motors which have a holding brake! Otherwise make no brake connections at all.

#### Requirements cables for motor holding brake

If a motor holding brake is present, **one cable** of the motor holding brake must be fed on the device side through the toroidal core ferrite provided as accessory ZBH0x/xx (63Ω @1MHz, di=5.1mm), in order to ensure error-free switching on and off of the motor holding brake.

### 3.5.7.1 Measurement of the motor temperature of Compax3M (axis controller)

#### Connector X15

The acquisition of the motor temperature by the axis controller can either take place via the connection of X15 (Tmot) or via the feedback cable and the corresponding connection on X13 PIN10.



Pin	Description
1	+5V
2	Sensor

The temperature acquisition on X15 Tmot can not be connected at the same time as X13 Pin 10.

### 3.5.8. Safety technology option for Compax3M (axis controller)

#### Connector X14



Pin	Description	
1	STO1/	+24VDC
2	STO-GND	GND
3	STO2/	+24VDC
4	STO-GND	GND



#### Note!

If the Compax3M axis controller features a safety option, these connections must also be wired, otherwise it is not possible to set up the axis.

### 3.6 Connections of Compax3H

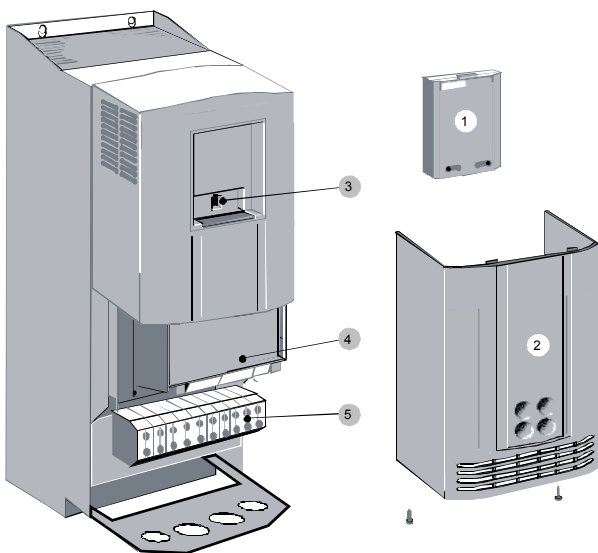
**In this chapter you can read about:**

Compax3H plugs/connections .....	51
Connection of the power voltage.....	52
Compax3H connections front plate .....	54
Plug and pin assignment C3H .....	54
Motor / Motor brake C3H .....	56
Control voltage 24 VDC C3H .....	57
Mains connection Compax3H .....	57
Braking resistor / supply voltage C3H .....	58

#### 3.6.1. Compax3H plugs/connections

The following figure is an example for all sizes.

The fitting of the different controller plugs depends on the extension level of Compax3.



- (1): Dummy cover with display of the **external** device status LEDs.
- (2): lower clamp cover, fixed by 2 screws at the device bottom.
- (3): RS232 programming interface  
Connection to the PC via adapter cable SSK32/20 (furnished with the device) and standard RS232 cable SSK1.
- (4): Control
- (5): Power connections



**Always switch devices off before wiring them!**

**Dangerous voltages are still present until 5 minutes after switching off the power supply!**



**Caution!**

If the control voltage is missing and if the X10-X10 jumper is not fitted (VBK17/01) on the control part, the availability of power voltage is not displayed.



**PE connection**

PE connection with 10mm<sup>2</sup> via a grounding screw at the bottom of the device.



**Attention hot surface!**

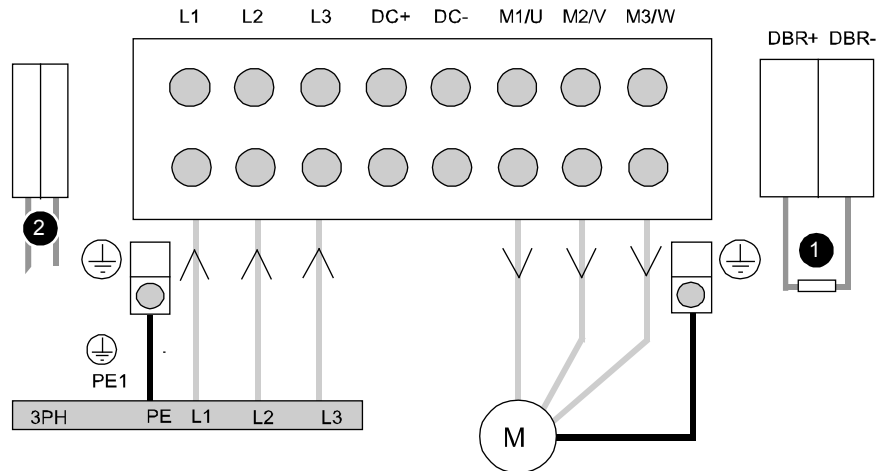
Metal parts can heat up to a temperature of 90°C during operation.

### 3.6.2. Connection of the power voltage

The terminal block of the drive can be found under the front cover. It is secured with 2 screws at the bottom of the device. Remove the bottom cover in order to access the connection clamps.

Make sure that all live parts are covered by the housing after installation.

#### Illustration of the connection clamps exemplarily for all sizes:



L1, L2, L3: 3 phase mains connection

M1, M2, M3: Motor connections

DC+, DC-: DC link voltage

(1) DBR+ und DBR-: Connection of external braking resistor

(2) AUX1, AUX2: only with C3H1xxV4 external supply (AC) for device ventilator L, N

- ◆ **All** shields must be connected via a cable joint to the cable feed through plate.
- ◆ Braking resistor and cable must be shielded if they are not installed in a control cabinet.
- ◆ The standard connection clamps of C3H090V4 and C3H1xxV4 are **not** suitable for flat line bars.

Attention: The MOT/TEMP connection is not supported by the Compax3H050; do therefore not wire this connection!

**Terminal clamps - max. line cross sections**

The line cross sections must correspond to the locally valid safety regulations. The local regulations have always priority.

	Power clamps (minimum/maximum section)	
<b>C3H050V4</b>	2.5 / 16mm <sup>2</sup>	
	Massive	Multiwire
<b>C3H090V4</b>	16 / 50mm <sup>2</sup>	25 / 50mm <sup>2</sup>
<b>C3H1xxV4</b>	25 / 95mm <sup>2</sup>	35 / 95mm <sup>2</sup>

***The standard connection clamps of Compax3H090V4 and Compax3H1xxV4 are not suitable for flat line bars.***

**Cover plate for cable feed through**

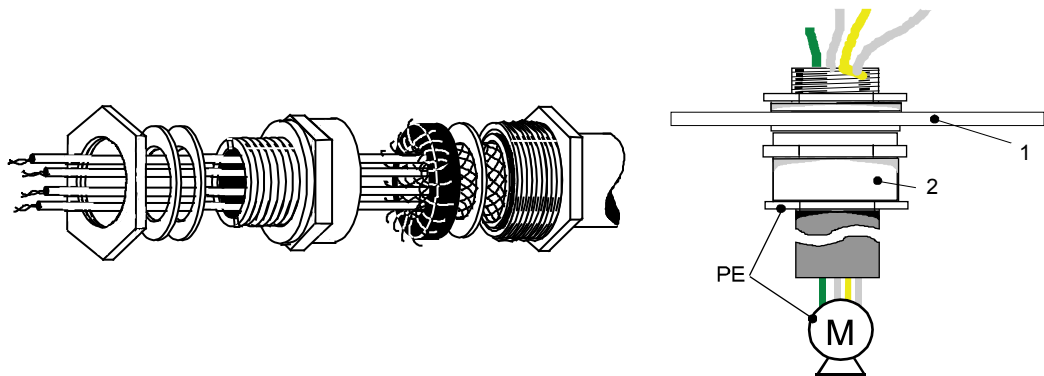
The cable feed through holes have the following dimensions:	
<b>C3H050V4</b>	28.6mm for M20, PG16 and ½" NPT (America). 37.3mm for M32, PG29 and 1" NPT (America).
<b>C3H090V4</b>	22.8mm for M20, PG16 und ½" NPT (America). 28.6mm for M25, PG21 and ¾" NPT (America). 47.3mm for M40, PG36 and 1¼" NPT (America). 54.3mm for M50, PG42and 1½" NPT (America).
<b>C3H1xxV4</b>	22.8mm for M20, PG16 and ½" NPT (America) 28.6mm for M25, PG21 and ¾" NPT (America)

**Recommended tightening torques**

	High voltage supply	Ballast resistor	Grounding
<b>C3H050V4</b>	4Nm / 35lb-in	4Nm / 35lb-in	4.5Nm / 40lb-in
<b>C3H090V4</b>	6-8Nm / 53-70lb-in	6-8Nm / 53-70lb-in	6-8Nm / 53-70lb-in
<b>C3H1xxV4</b>	15-20Nm / 132-177lb-in	0.7Nm / 6.1lb-in	42Nm / 375lb-in

**Cable joints**

Use metallic cable joints permitting a 360° shielding in order to comply with the EMC directive.



- 1: Cable feed through plate
- 2: metallic joint with 360° shielding for EMC compliant design

The device must be grounded without interruption according to EN 61800-5-1. The mains supply lines must be protected with a suitable fuse or a circuit breaker (FI switches or earth fault fuses are not recommended).

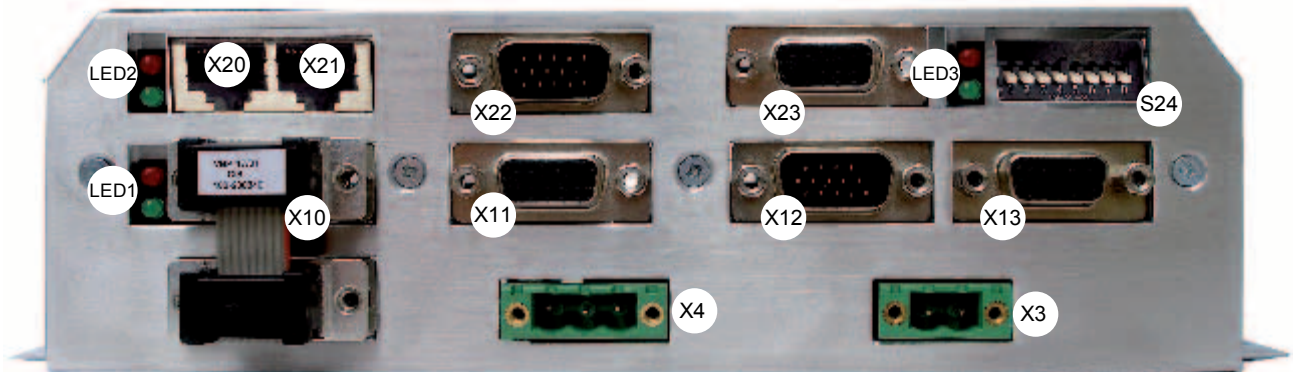
For installation in accordance with EN 61800-5-1 mm Europe:

- ◆ For grounding without interruption, two separate protective leads (² cross-section) or one lead (>10mm² cross-section) are required. Each protective lead must meet the requirements according to EN 60204.

### 3.6.3. Compax3H connections front plate

#### Communication and signal interfaces

Showcase front plate of the control (number of connectors depends on the extension level of the Compax3)

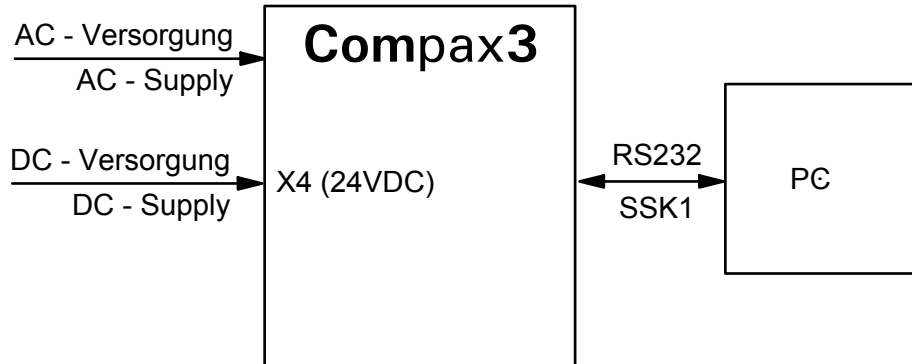


X3	Motor brake	X20	HEDA in (Option)	
X4	24VDC	X21	HEDA out (Option)	
X10	RS232/RS485 with jumper to the programming interface	X22	Inputs Outputs (Option M10/12)	
X11	Analog/Encoder	X23	Bus (Option)	Connector type depends on the bus system!
X12	Inputs/Outputs	S24	Bus settings	
X13	Motor position feedback	LED1	Device status LEDs	
		LED2	HEDA LEDs	
		LED3	Bus LEDs	

**Note on Compax3H:** The **internal** device status LEDs are only connected to the **external** housing LEDs, if the RS232 jumper at X10 is fitted to the control and the upper dummy cover is fitted.  
 The RS232 programming interface under the upper dummy cover is only available if the X10 jumper at the controller is fitted.

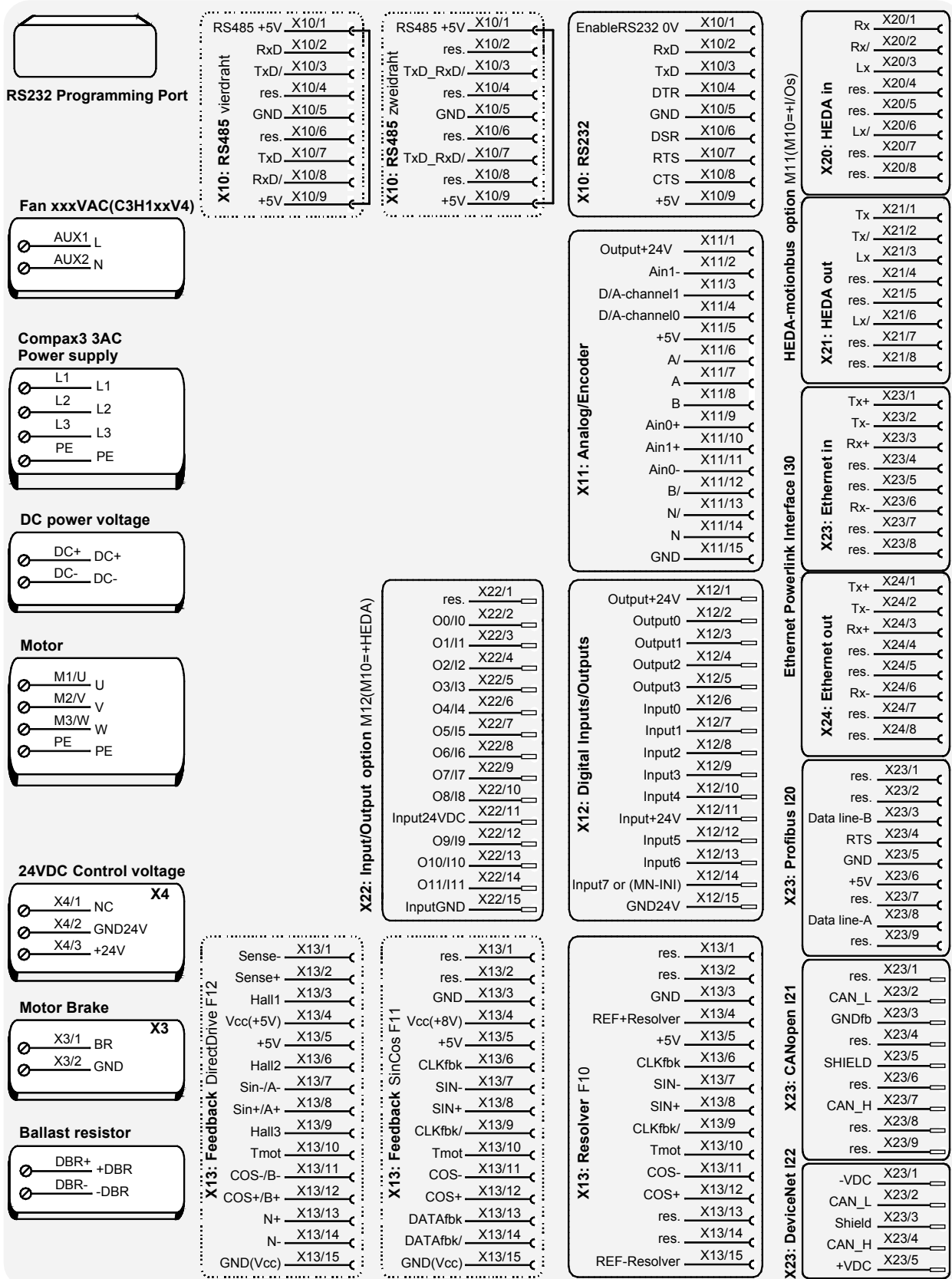
### 3.6.4. Plug and pin assignment C3H

Overview



**Further information on the assignment of the plug mounted at the particular device can be found below!**

**In detail:** The fitting of the different plugs depends on the extension level of Compax3. In part, the assignment depends on the Compax3 option implemented.



The RS232 programming interface under the upper dummy cover is only available if the X10 jumper at the controller is fitted.

**Please note**

C3H1xxV4 uses a ventilator fan which must be externally supplied via separate connections. The ventilator fan is available in two versions for single phase feed: 220/240VAC; 110/120VAC

### 3.6.5. Motor / Motor brake C3H

Motor connection clamps - figure (see on page 52)

PIN	Designation	Motor cable lead designation*		
M1/U	U (motor)	U / L1 / C / L+	1	U1
M2/V	V (motor)	V / L2	2	U2
M3/W	W (motor)	W / L3 / D / L-	3	U3
PE	PE (motor)	YE / GN	YE / GN	YE / GN

\* depending on the cable type

#### Compax3H motor cable

A motor output filter is required for motor cables >50m. Please contact us.

#### Shielding connection of the motor cable

The motor cable should be fully shielded and connected to the Compax3 housing. The shield of the motor cable must also be connected with the motor housing. The fixing (via plug or screw in the terminal box) depends on the motor type.



#### Attention - Please wire the motor holding brake!

Connect the brake only on motors which have a holding brake! Otherwise make no brake connections at all.

#### Requirements cables for motor holding brake

If a motor holding brake is present, **one cable** of the motor holding brake must be fed on the device side through the toroidal core ferrite provided as accessory ZBH0x/xx (63Ω @1MHz, di=5.1mm), in order to ensure error-free switching on and off of the motor holding brake.



Connection of motor brake X3 - figure (see on page 54)

PIN	Designation	Motor cable lead designation*		
1	BR	WH	4	Br1
2	GND	BK	5	Br2

#### Motor holding brake output

Motor holding brake output	Compax3
Voltage range	21 – 27VDC
Maximum output current (short circuit proof)	1.6A



### 3.6.6. Control voltage 24 VDC C3H



Connection of control voltage 24VDC figure (see on page 54)

Connector X4 Pin	Description	
1	NC	NC
2	GND24V	GND
3	+24 V	24 VDC (power supply)

#### Control voltage 24VDC Compax3S and Compax3H

Controller type	Compax3
Voltage range	21 - 27VDC
Current drain of the device	0.8 A
Total current drain	0.8 A + Total load of the digital outputs + current for the motor holding brake
Ripple	0.5Vpp
Requirement according to safe extra low voltage (SELV)	yes
Short-circuit proof	conditional (internally protected with 3.15AT)

### 3.6.7. Mains connection Compax3H

Device protection

Avoid permanent switching on and off so that the charging connection is not overloaded. Therefore wait at least 1 minute before switching on the device again.

Connection of mains voltage figure (see on page 52)

#### Mains connection Compax3HxxxV4 3\*400VAC

Device type Compax3	H050V4	H090V4	H125V4	H155V4
Supply voltage	Three-phase 3*400VAC 350-528VAC / 50-60Hz			
Input current	66Arms	95Arms	143Arms	164Arms
Output current	50Arms	90Arms	125Arms	155Arms
Maximum fuse rating per device(=short circuit rating) Branch circuit protection according to UL	80A	100A	160A	200A
	JDDZ Class K5 or H JDRX Class H			

#### Mains connection Compax3HxxxV4 3\*480VAC

Device type Compax3	H050V4	H090V4	H125V4	H155V4
Supply voltage	Three-phase 3*480VAC 350-528VAC / 50-60Hz			
Input current	54Arms	82Arms	118Arms	140Arms
Output current	43Arms	85Arms	110Arms	132Arms
Maximum fuse rating per device(=short circuit rating) Branch circuit protection according to UL	80A	100A	160A	200A
	JDDZ Class K5 or H JDRX Class H			

### 3.6.8. Braking resistor / supply voltage C3H

The energy generated during braking operation is absorbed by the Compax3 storage capacity.

If this capacity is too small, the braking energy must be drained via a braking resistor.

#### 3.6.8.1 Connect braking resistor C3H

Connection of braking resistor - figure (see on page 52)

PIN	Designation
DBR+	+ Braking resistor
DBR-	- Braking resistor

#### Braking operation of Compax3HxxxV4

Controller type	H050V4	H090V4	H125V4	H155V4
Capacitance / storable energy 400V / 480V	2600 $\mu$ F 602 / 419 Ws	3150 $\mu$ F 729 / 507 Ws	5000 $\mu$ F 1158 / 806 Ws	5000 $\mu$ F 1158 / 806 Ws
Minimum braking- resistance	24 $\Omega$	15 $\Omega$	8 $\Omega$	8 $\Omega$
Maximum continuous current	11 A	17 A	31 A	31 A

Minimum line cross section: 2.5mm<sup>2</sup>  
 Maximum line length: 2m  
 Maximum output voltage: 830VDC

#### 3.6.8.2 Power supply voltage DC C3H

Connection of power voltage DC -figure (see on page 52)

PIN	Description
DC+	+ DC high voltage supply
DC-	- DC high voltage supply



#### **Warning!**

*Do not connect any braking resistor on DC+/DC- .*

#### 3.6.8.3 Connection of the power voltage of 2 C3H 3AC devices

In order to improve the conditions during brake operation, the DC power voltage of 2 servo axes may be connected.

The capacity as well as the storable energy are increased; furthermore the braking energy of one servo axis may be utilized by a second servo axis, depending on the application.



**It is not permitted to connect the power voltage in order to use one brake circuit for two servo axes, as this function cannot be ensured reliably.**

#### **Note the following:**

**Caution! In case of non-compliance with the following instructions, the device may be destroyed!**

- ◆ You can only connect two similar servo axes (same power supply; same rated currents)
- ◆ Connected servo axes must always be fed separately via the AC power supply.
- ◆ If the external pre-fuse of one of the servo axes takes action, the second servo axis must also be disconnected automatically.

**Please connect as follows:**

Servo axis 1 DC+ with servo axis 2 DC+  
 Servo axis 1 DC- with servo axis 2 DC-

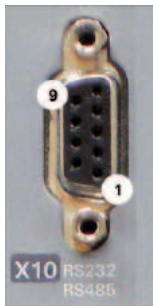
- figure (see on page 52)

### 3.7 Communication interfaces

In this chapter you can read about:

RS232/RS485 interface (plug X10).....59  
 Communication Compax3M.....60  
 CANopen connector X23 Interface I21.....62

#### 3.7.1. RS232/RS485 interface (plug X10)



Interface selectable by contact functions assignment of X10/1:

X10/1=0V RS232

X10/1=5V RS485

PIN X10	RS232 (Sub D)
1	(Enable RS232) 0V
2	RxD
3	TxD
4	DTR
5	GND
6	DSR
7	RTS
8	CTS
9	+5V

#### RS485 2-wire

PIN X10	RS485 2-wire Sub D Pin 1 and 9 externally jumpered
1	Enable RS485 (+5V)
2	res.
3	TxD_RxD/
4	res.
5	GND
6	res.
7	TxD_RxD
8	res.
9	+5V

#### RS485 4-wire

PIN X10	RS485 4-wire Sub D Pin 1 and 9 externally jumpered
1	Enable RS485 (+5V)
2	RxD
3	TxD/
4	res.
5	GND
6	res.
7	TxD
8	RxD/
9	+5V

**USB - RS232/RS485 converter**

The following USB - RS232 converters were tested:

- ◆ ATEN UC 232A
- ◆ USB GMUS-03 (available under several company names)
- ◆ USB / RS485: **Moxa Uport 1130**  
[http://www.moxa.com/product/UPort\\_1130.htm](http://www.moxa.com/product/UPort_1130.htm)
- ◆ Ethernet/RS232/RS485: **NetCom 113** <http://www.vscom.de/666.htm>

**3.7.2. Communication Compax3M**

In this chapter you can read about:

PC - PSUP (Mains module).....60  
 Communication in the axis combination (connector X30, X31).....60  
 Adjusting the basic address.....61  
 Setting the axis function.....61

**3.7.2.1 PC - PSUP (Mains module)**

**Connector X3**



USB2.0

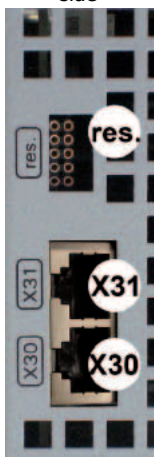
Connect your PC to the USB sleeve X3 of the mains module via an USB cable (SSK33/03).

**3.7.2.2 Communication in the axis combination (connector X30, X31)**

The communication in the axis combination is implemented via a SSK28 cable and double RJ45 sleeves on the device top.

Beginning with the PSUP (mains module) the connection is always made from X30 to X31 of the next device. On the first device (X31) and the last device (X30) in the multi-axis combination, a bus termination plug (BUS07/01) is required.

Orientation to the back side



Orientation to the front plate

PSUP (Mains module)	
X30	out
X31	in
res.	factory use
Compax3M (axis)	
X30	out
X31	in
res.	factory use

### 3.7.2.3 Adjusting the basic address

On the mains module, the basic address of the device combination is set in steps of 16 with the aid of the first three dip switches.

The mains module contains the set basic address while the axes placed at the right in the combination contain the following addresses.



#### Switch S1

##### Address setting

##### Basic addresses

Switch	Value upon ON
1	16
2	32
3	64

##### Settings:

left: OFF

right: ON

##### Settable value range: 0, 16, 32, 48, 64, 80, 96, 112

Address of the 1st axis = basic address+1

The addresses of the axis controllers are newly assigned after PowerOn.

##### Example:

Basic address = 48; mains module with 6 axis controllers in the combination

1. Axis right: Address = 49

2. Axis right: Address = 50

...

6. Axis right: Address = 54

### 3.7.2.4 Setting the axis function

#### Switch S10



##### Function settings for T30 and T40

The value of switch S10 on the axis controller is stored in object O110.1

C3plus.Switch\_DeviceFunction and can be evaluated with the aid of a program.

This helps realize a more simple function selection.

### 3.7.3. CANopen connector X23 Interface I21



Pin X23	CANopen (Sub D)	
1	factory use	
2	CAN_L	CAN Low
3	GNDfb	Opto-isolated GND-supply
4	factory use	
5	SHIELD	Shield optional
6	factory use	
7	CAN_H	CAN High
8	factory use	
9	factory use	

The assignment corresponds to CANopen DS301.

At the beginning and end of the device chain a terminating resistor of 120Ω is required between CAN\_L and CAN\_H

**Wiring** (see on page 388).

#### 3.7.3.1 Setting baud rate and Node-ID

**Proceeding:**

- ◆ Switch off 24VDC
- ◆ Switch 8 must be set to ON
- ◆ Set **Baud rate** with switches 1...7:
  - 0:= 20kbits/s
  - 1:= 50kbit/s
  - 2:= 100kbit/s
  - 3:= 125kbit/s
  - 4:= 250kbit/s
  - 5:= 500kbit/s
  - 6:= 800kbit/s
  - 7...127:= 1Mbit/s
- ◆ switch on 24VDC and wait until both LEDs above the DIP switch are blinking simultaneously
- ◆ With switch 1...7 **set Node ID**:
  - Values: **1:** 2<sup>0</sup>; **2:** 2<sup>1</sup>; **3:** 2<sup>2</sup>; ... **7:** 2<sup>6</sup>;
  - value range: 1 ...127
- ◆ **Switch 8:** = OFF
- ◆ Compax3 is now ready to operate

**Position of the switch**

left: OFF  
right: ON

**Note:**

**The baud rate can also be set in the C3 ServoManager. After switching on, the last setting made is valid!**

### 3.7.3.2 Function of the Bus LEDs

#### LED red

No.	Signal	Status	Description
1	off	No Error	The bus is operating
2	Single flash	Warning	At least one of the error counters of the CAN controller has reached the warning level. Cannot send Bootup Message.
3	Double flash	Error	Node Guarding Error
4	Triple flash	Error	Sync Error Buffer overflow (0x8110)
5	on	Bus not active	

If several errors occur at once, the error with the most significant number is reported.

#### LED green

Signal	Status	Description
Single flash	Stop	The bus is in STOPPED state
blinks (permanently)	pre-operational	The bus is ready to operate (Pre-Operational)
on	operational	The bus is operating (operational)

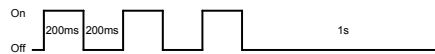
Single flash



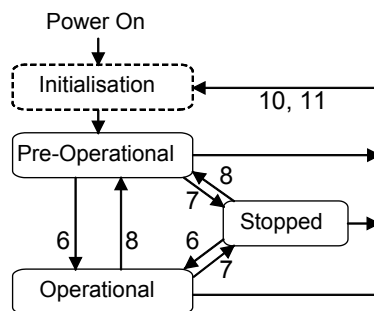
Double flash



Triple flash



#### CANopen states



- 6: Start Remote Node
- 7: Stop Remote Node
- 8: Enter Pre-Operational State
- 10: Reset Node
- 11: Reset Communication

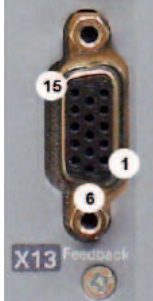
The "Initialization" state is no fixed state but only a transition state.

## 3.8 Signal interfaces

### In this chapter you can read about:

Resolver / feedback (plug X13).....	64
Analogue / encoder (plug X11).....	65
Digital inputs/outputs (plug X12).....	66

### 3.8.1. Resolver / feedback (plug X13)



PIN X13	Feedback /X13 High Density /Sub D (depending on the Feedback module)		
	Resolver (F10)	SinCos (F11)	EnDat 2.1 (F12)
1	factory use	factory use	Sense -*
2	factory use	factory use	Sense +*
3	GND	GND	factory use
4	REF-Resolver+	Vcc (+8V)	Vcc (+5V) * max. 350mA load
5	+5V (for temperature sensor)		
6	factory use	factory use	CLKfbk
7	SIN-	SIN-	SIN- / A- (Encoder)
8	SIN+	SIN+	SIN+ / A+ (Encoder)
9	factory use	factory use	CLKfbk/
10	Tmot*	Tmot*	Tmot*
11	COS-	COS-	COS- / B- (Encoder)
12	COS+	COS+	COS+ / B+ (Encoder)
13	factory use	DATAfbk	DATAfbk
14	factory use	DATAfbk/	DATAfbk/
15	REF-Resolver-	GND (Vcc)	GND (Vcc)

\*X13 Pin10 Tmot may not be connected at the same time as X15 (on Compaxx3M).

**Resolver cables** (see on page 357) can be found in the accessories chapter of the device description.

**SinCos® cables** (see on page 358) can be found in the accessories chapter of the device description.

The **EnDat cable GBK38** (see on page 358) can be found in the accessories chapter of the device description.



PIN X13	Feedback /X13 High Density /Sub D
	<b>Direct drives (F12)</b>
1	Sense -*
2	Sense +*
3	Hall1 (digital)
4	Vcc (+5V)* max. 350 mA load
5	+5 V (for temperature sensors und Hallsensoren)
6	Hall2 (digital)
7	SIN-, A- (Encoder) or analog Hall sensor
8	SIN+, A+, (Encoder) or analog Hall sensor
9	Hall3 (digital)
10	Tmot*
11	COS-, B- (Encoder) or analog Hall sensor
12	COS+, B+ (Encoder) or analog Hall sensor
13	N+
14	N-
15	GND (Vcc)

\*X13 Pin10 Tmot may not be connected at the same time as X15 (on Compaxx3M).

**Note on F12:**

\*+5V (Pin 4) is measured and controlled directly at the end of the line via Sense+ and Sense-.

Maximum cable length: 100m

- Caution!
- ◆ Pin 4 and Pin 5 must under no circumstances be connected!
  - ◆ Plug in or pull out feedback connector only in switched off state (24VDC switched off).

### 3.8.2. Analogue / encoder (plug X11)



PIN X11	Reference High Density Sub D		
		Encoders	SSI
1	+24V (output) max. 70mA		
2	Ain1 -; analog input - (14Bits; max. +/-10V)		
3	D/A monitor channel 1 (±10V, 8-bit resolution)		
4	D/A monitor channel 0 (±10V, 8-bit resolution)		
5	+5 V (output for encoder) max. 150 mA		
6	- Input: steps RS422 (5V - level)	<b>A/</b> (Input / -simulation)	Clock-
7	+ Input: steps RS422 (5V - level)	<b>A/</b> (Input / -simulation)	Clock+
8	+ Input: direction RS422 (5V - level)	<b>B</b> Input / -simulation)	
9	Ain0 +: analog input + (14Bits; max. +/-10V)		
10	Ain1 +: analog input + (14Bits; max. +/-10V)		
11	Ain0 -: analog input- (14Bits; max. +/-10V)		
12	- Input: direction RS422 (5V - level)	<b>B/</b> input / -simulation)	
13	factory use	<b>N/</b> input / -simulation)	DATA-
14	factory use	<b>N</b> input / -simulation)	DATA+
15	GND		

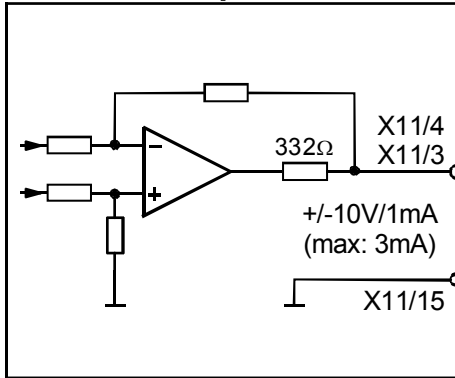
**Technical Data X11** (see on page 398)

### 3.8.2.1 Wiring of analog interfaces

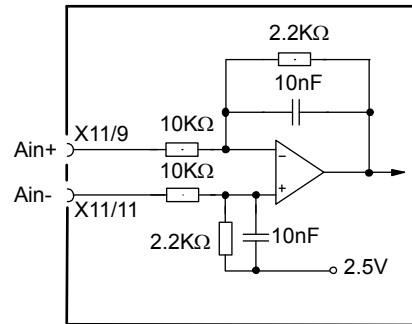
Output

Input

#### Compax3



#### Compax3

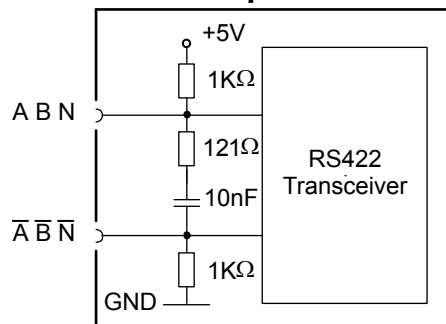


Perform an **offset adjustment** (see on page 241)!

Structure image of the **internal signal processing of the analog inputs**, Ain1 (X11/10 and X11/2) has the same wiring!

### 3.8.2.2 Connections of the encoder interface

#### Compax3



The input connection is available in triple (for A & /A, B & /B, N & /N)

### 3.8.3. Digital inputs/outputs (plug X12)



Pin X12	Input/output	High density/Sub D	
1	O	+24 V DC output (max. 400mA)	
2	O0	No Error	<b>Only for "fixed assignment"</b>  Functions are available, if "Fixed assignment" was selected for the I/O assignment in the configuration wizard
3	O1	Position / speed / gear synchronization attained (max. 100 mA)	
4	O2	Power stage without current (max.) 100 mA)	
5	O3	Axis energized with a setpoint of 0 (max. 100 mA)	
6	I0="1":	Quit (positive edge) / Axis enable	
	I0="0"	Axis disable with delay	
7	I1	no Stop	
8	I2	JOG +	
9	I3	JOG -	
10	I4	Reg input	
11	I	24V input for the digital outputs Pins 2 to 5	
12	I5	Limit switch 1	
13	I6	Limit switch 2	
14	I7	Machine zero initiator	
15	O	GND24V	

All inputs and outputs have 24V level.

Maximum capacitive loading of the outputs: 30nF (max. 2 Compax3 inputs can be connected)

Input-/Output extension

#### Optimization window display

The display of the digital inputs in the optimization window of the C3 ServoManager does not correspond to the physical status (24Volt=on, 0Volt=off) but to the logic status: if the function of an input or output is inverted (e.g. limit switch, negatively switching), the corresponding display (LED symbol in the optimization window) is OFF with 24Volts at the input and ON with 0 Volts at the input.

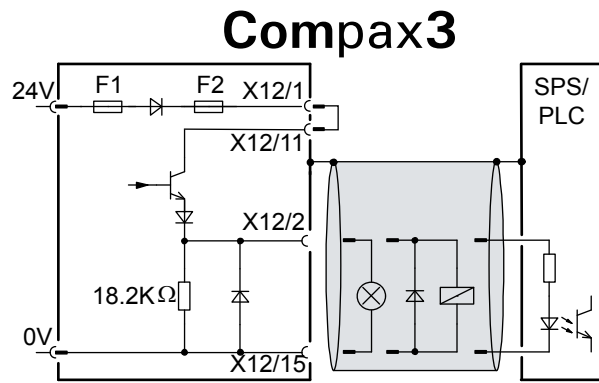
In operation via CANopen the inputs I0 ... I3 as well as the outputs O0 ... O3 can be freely assigned as an option.

Configurable via the C3 ServoManager (configuration: Operating mode / I/O assignment)

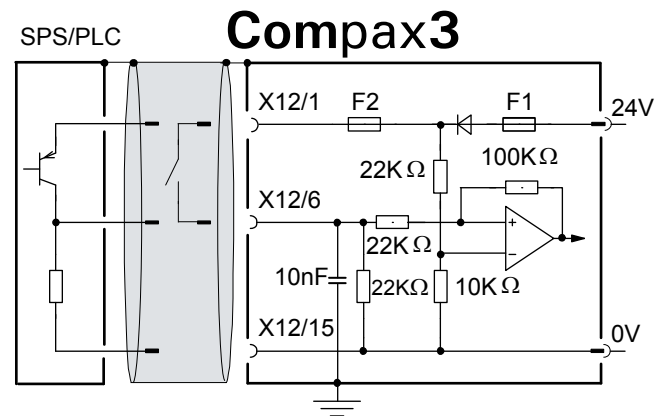
### 3.8.3.1 Connection of the digital Outputs/Inputs

#### Wiring of digital outputs

#### Status of digital inputs



The circuit example is valid for all digital outputs!  
The outputs are short circuit proof; a short circuit generates an error.



The circuit example is valid for all digital inputs!

Signal level:

- ◆  $> 9.15V = "1"$  (38.2% of the control voltage applied)
- ◆  $< 8.05V = "0"$  (33.5% of the control voltage applied)

F1: Delayed action fuse

F2: Quick action electronic fuse; can be reset by switching the 24 VDC supply off and on again.

### 3.8.3.2 Logic proximity switch types

Type	1	2	3	4
Transistor switch	PNP	PNP	NPN	NPN
Logic	(N.O.) "active high"	(N.C) "active low"	(N.O.) "active low"	(N.C) "active high"
Description of logic	Compax3 sees a logical "1" upon activation	Compax3 sees a logical "0" upon activation"	Compax3 sees a logical "0" upon activation"	Compax3 sees a logical "1" upon activation
Fail safe logic	no	yes	Only conditional <sup>1)</sup>	no
Instruction for pull up resistor in the initiator	-	-	Rmin=3k3 Rmax=10k <sup>2)</sup>	Rmin=3k3 Rmax=10k <sup>2)</sup>
Connections				

<sup>1)</sup> When the connection between transistor emitter of the initiator and X12/15 (GND24V of the Compax3 )is lost, it can not be guaranteed, that the Compax3 detects a logical „0“.

<sup>2)</sup> The INSOR NPN types INHE5212 and INHE5213 manufactured by Schönbuch Electronic do correspond to this specification.

### 3.9 Installation and dimensions Compax3

**In this chapter you can read about:**

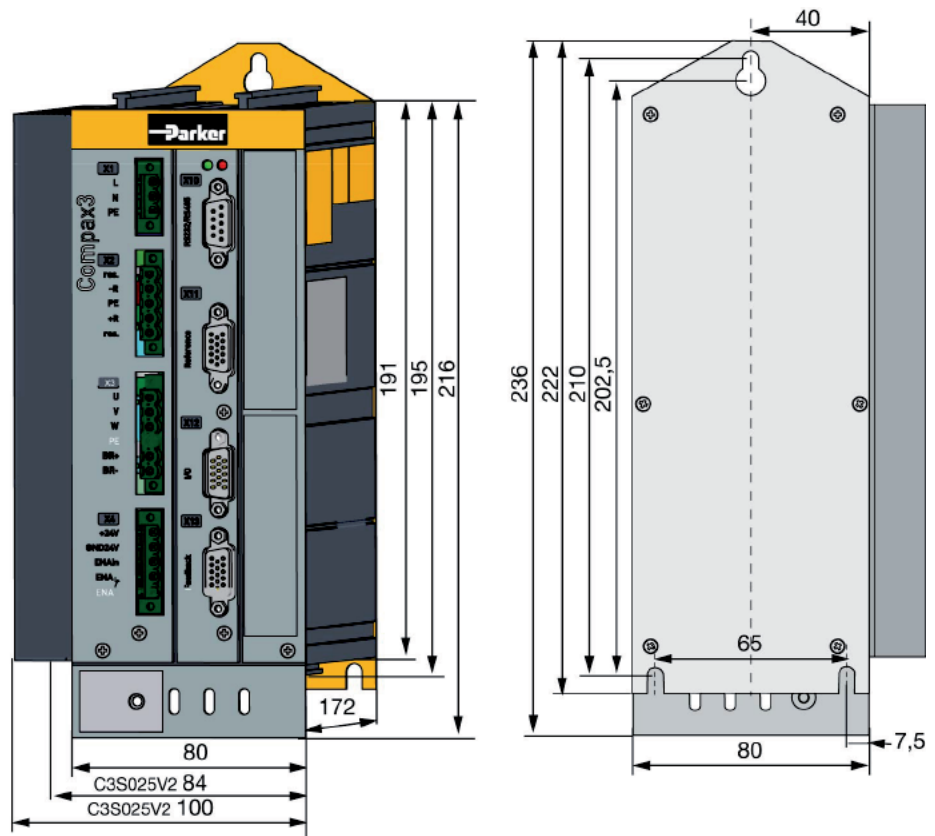
Mounting and dimensions Compax3S.....	70
Mounting and dimensions PSUP/C3M .....	74
Mounting and dimensions C3H.....	76

#### 3.9.1. Mounting and dimensions Compax3S

##### 3.9.1.1 Mounting and dimensions Compax3S0xxV2

**Mounting:**

3 socket head screws M5



Stated in mm

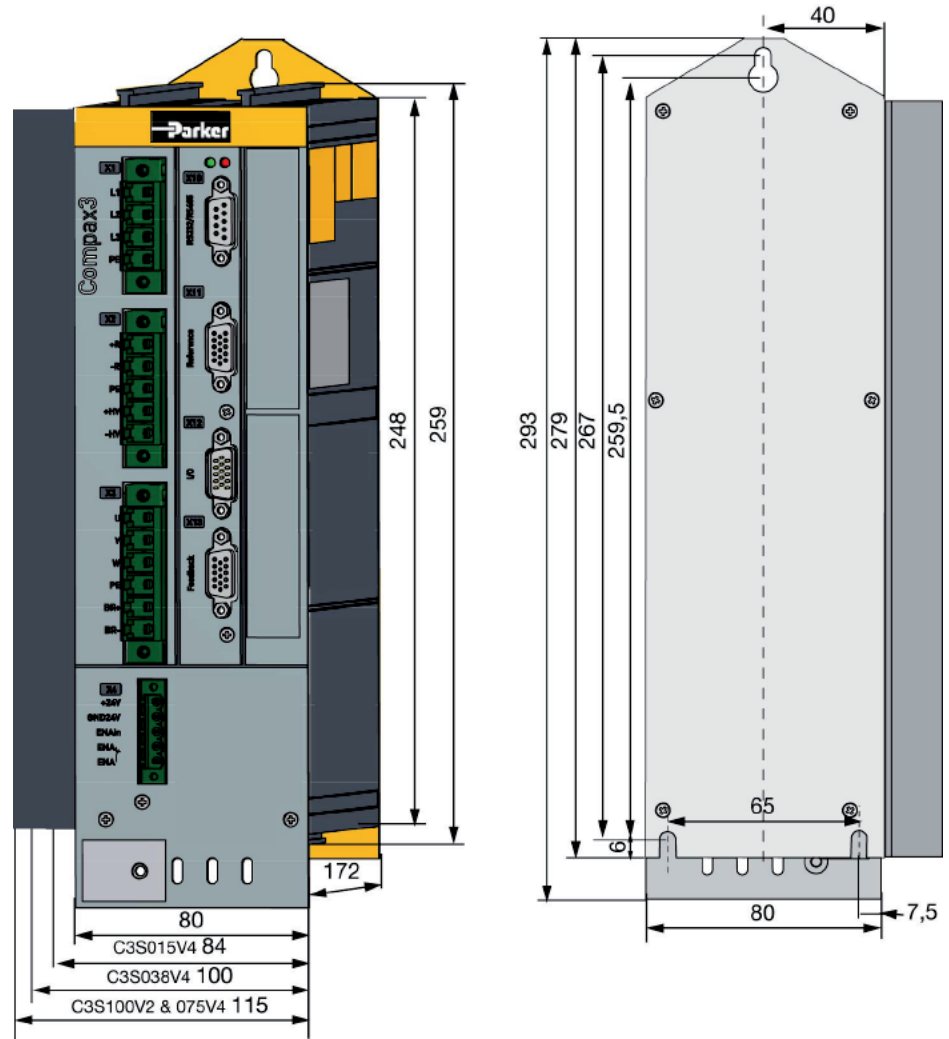
Please respect an appropriate mounting gap in order to ensure sufficient convection:

- ◆ At the side: 15mm
- ◆ At the top and below: at least 100mm

### 3.9.1.2 Mounting and dimensions Compax3S100V2 and S0xxV4

**Mounting:**

3 socket head screws M5



Stated in mm

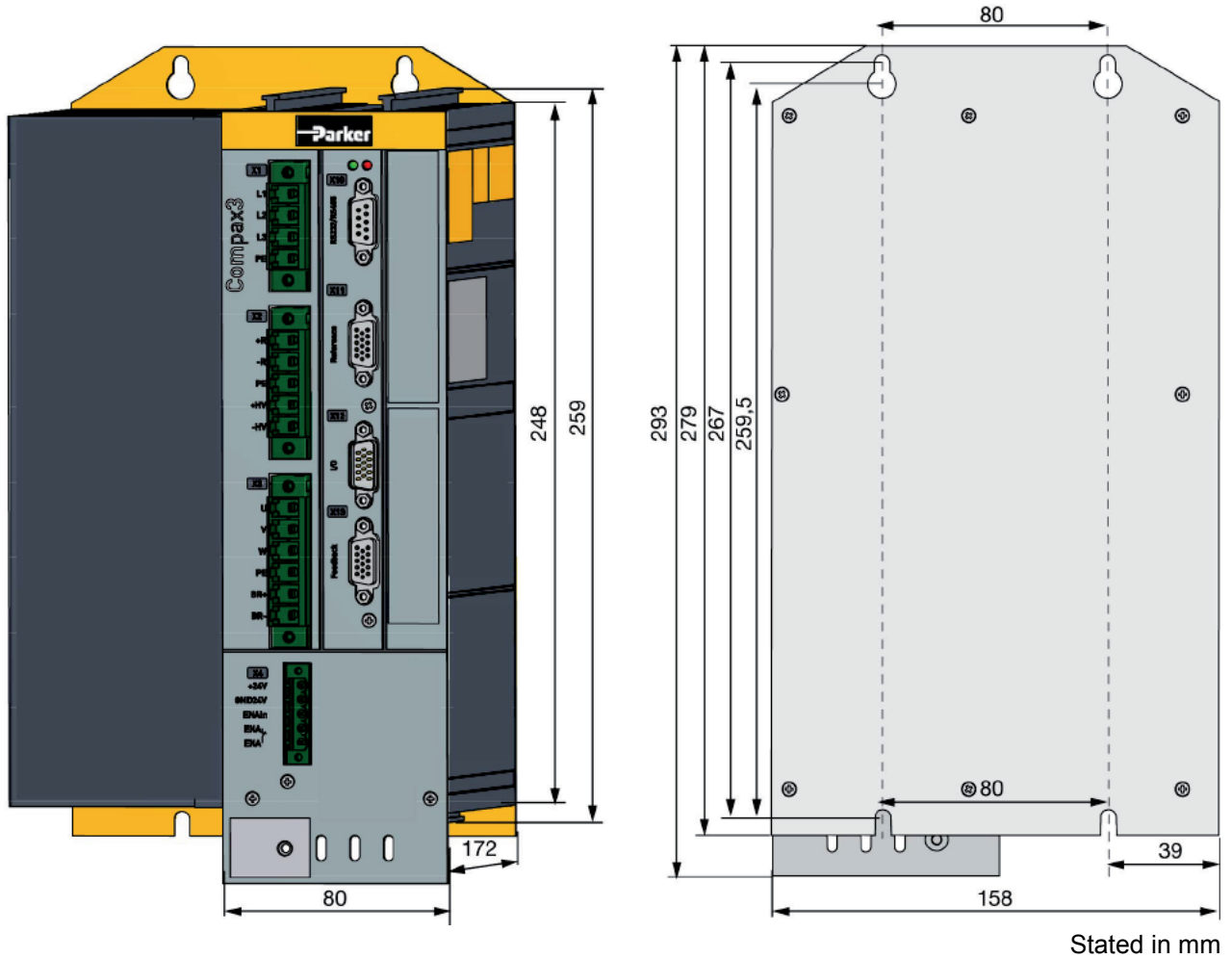
Please respect an appropriate mounting gap in order to ensure sufficient convection:

- ◆ At the side: 15mm
- ◆ At the top and below: at least 100mm

### 3.9.1.3 Mounting and dimensions Compax3S150V2 and S150V4

**Mounting:**

4 socket head screws M5



Please respect an appropriate mounting gap in order to ensure sufficient convection:

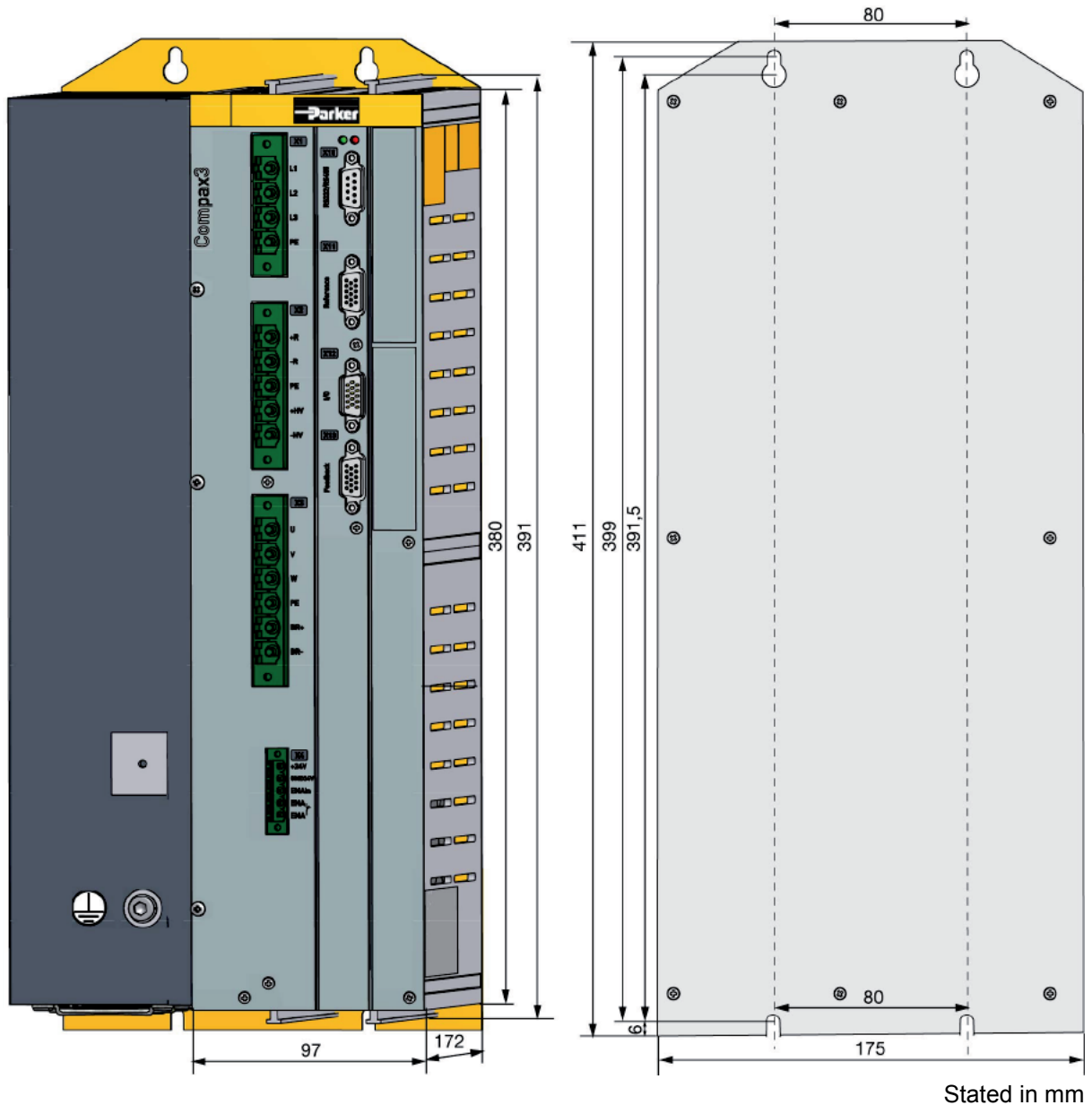
- ◆ At the side: 15mm
- ◆ At the top and below: at least 100mm



### 3.9.1.4 Mounting and dimensions Compax3S300V4

**Mounting:**

4 socket head screws M5



Stated in mm

Please respect an appropriate mounting gap in order to ensure sufficient convection:

- ◆ At the side: 15mm
- ◆ At the top and below: at least 100mm

**Compax3S300V4 is force-ventilated via a fan integrated into the heat dissipator!**

### 3.9.2. Mounting and dimensions PSUP/C3M

**Ventilation:** During operation, the device radiates heat (power loss). Please provide for a sufficient mounting distance below and above the device in order to ensure free circulation of the cooling air. Please do also respect the recommended distances of other devices. Make sure that the mounting plate is not exhibited to other temperature influences than that of the devices mounted on this very plate. The devices must be mounted vertically on a level surface. Make sure that all devices are sufficiently fixed.

#### 3.9.2.1 Mounting and dimensions PSUP10/C3M050D6, C3M100D6, C3M150D6

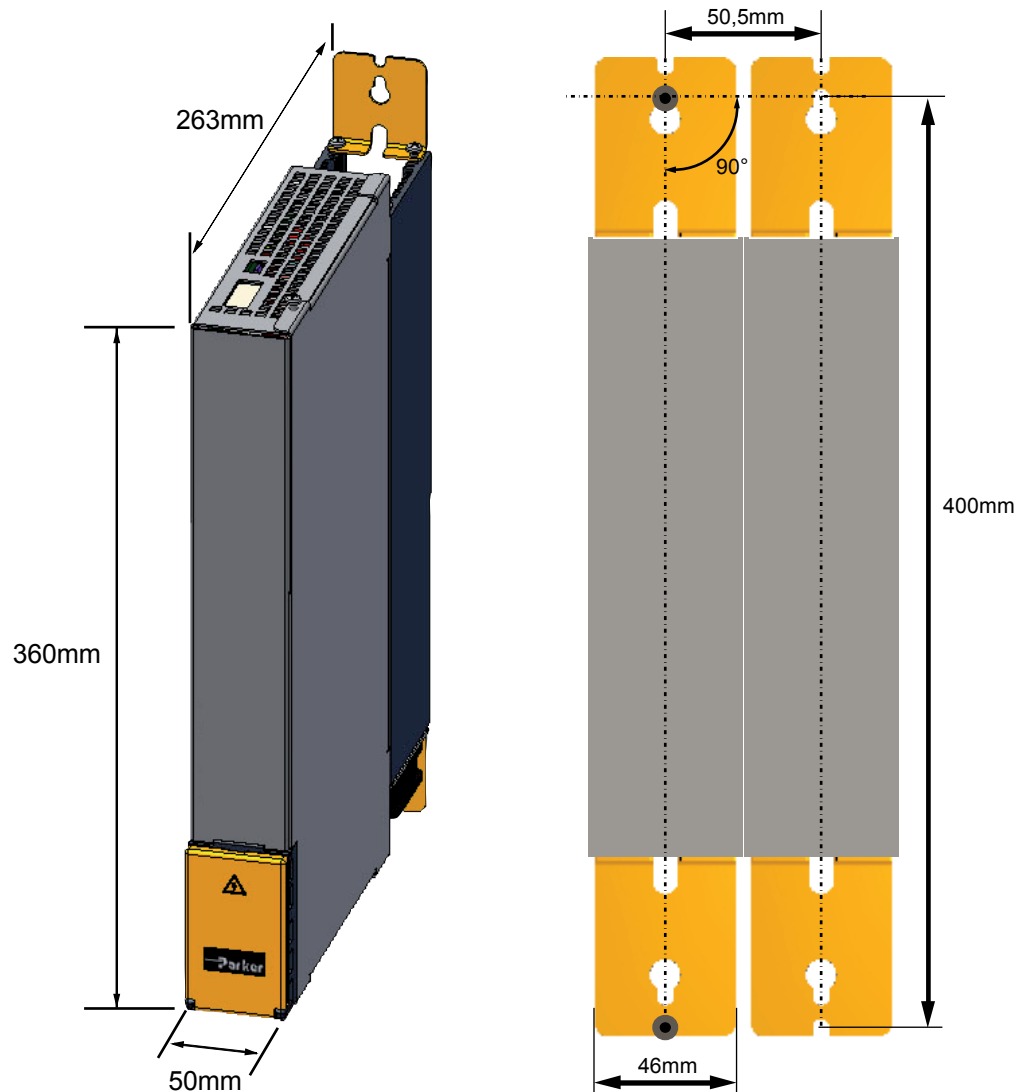
**The devices are force-ventilated via a ventilator fan fixed to the lower part of the heat dissipator!**

Mounting spacing: At the top and below: at least 100mm

**Information on** PSUP10D6/C3M050D6, C3M100D6, C3M150D6

**Mounting:**

2 socket head screws M5

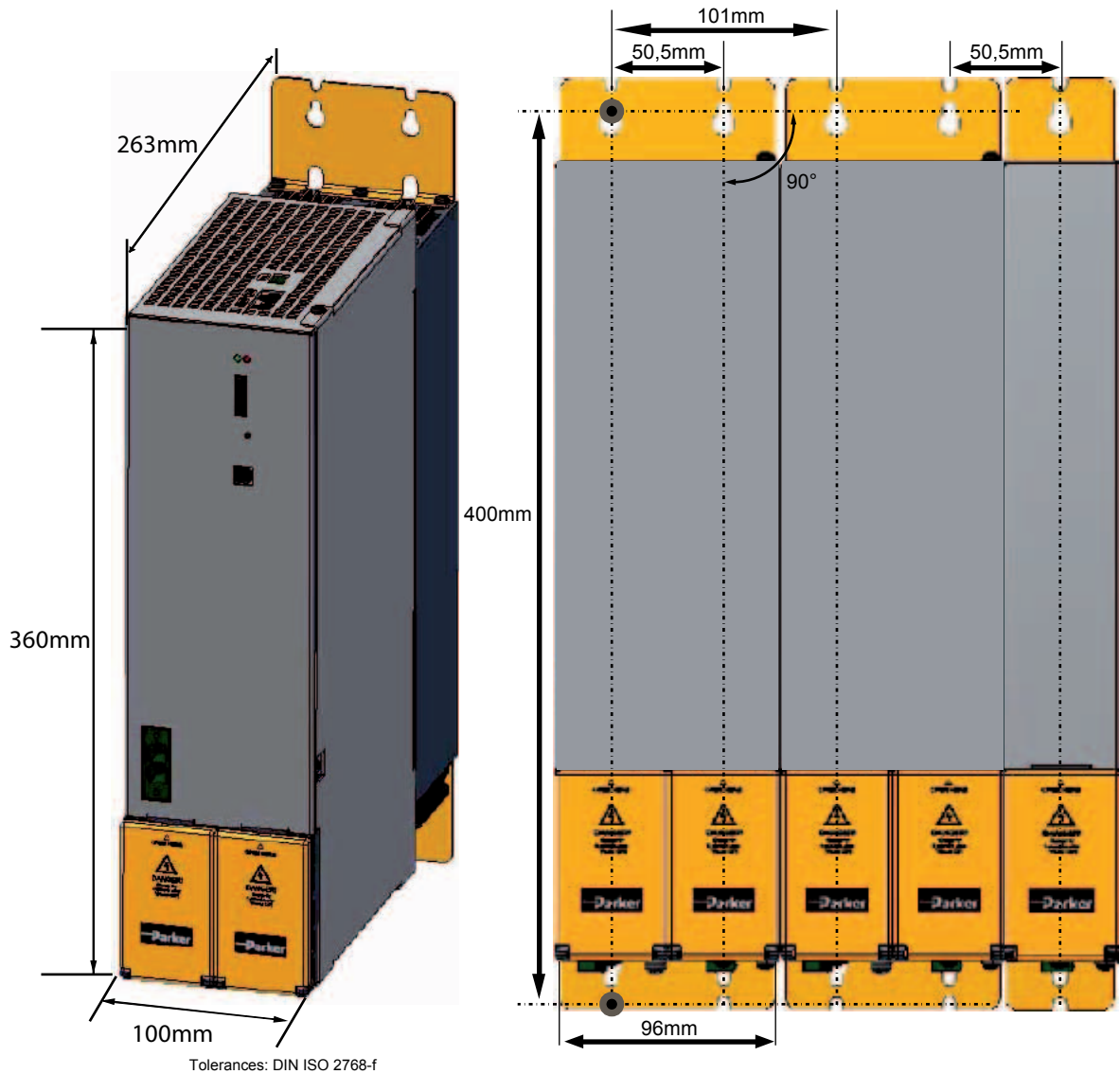


Tolerances: DIN ISO 2768-f

### 3.9.2.2 Mounting and dimensions PSUP20/PSUP30/C3M300D6

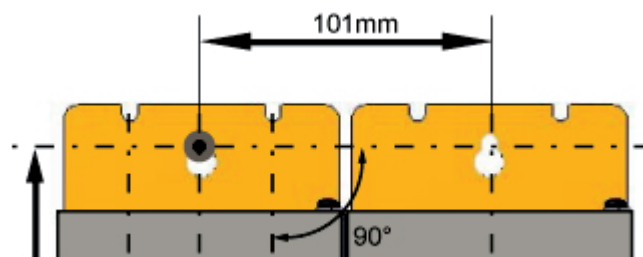
Information on PSUP20/PSUP30/C3M300D6

**Mounting:**  
4 socket head screws M5



### 3.9.2.3 With upper mounting, the housing design may be different

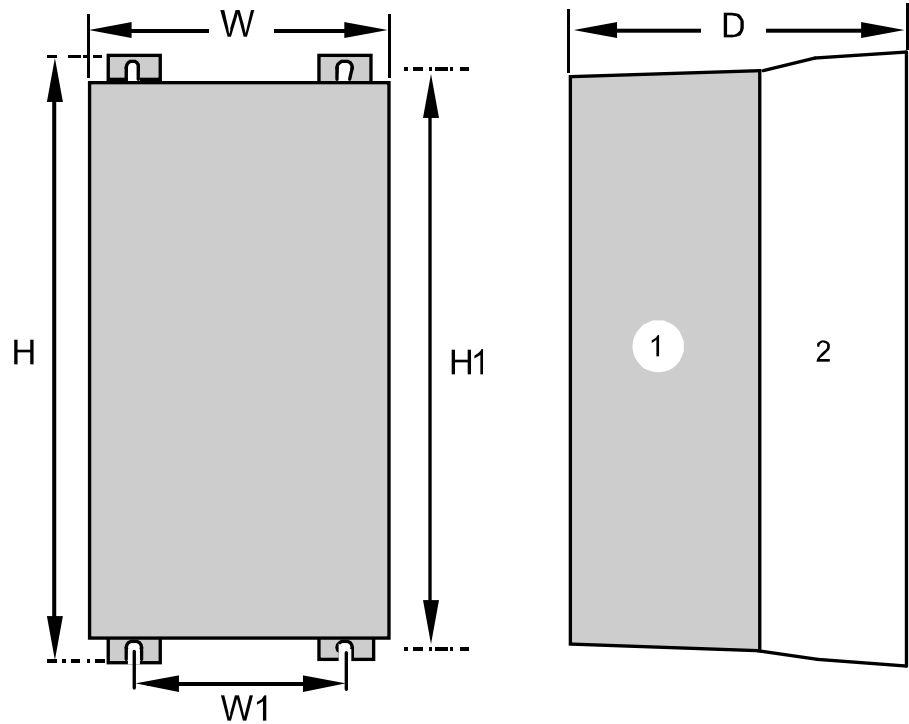
**Mounting:**  
3 socket head screws M5



### 3.9.3. Mounting and dimensions C3H

The devices must be mounted vertically on a level surface in the control cabinet.

Dimensions:



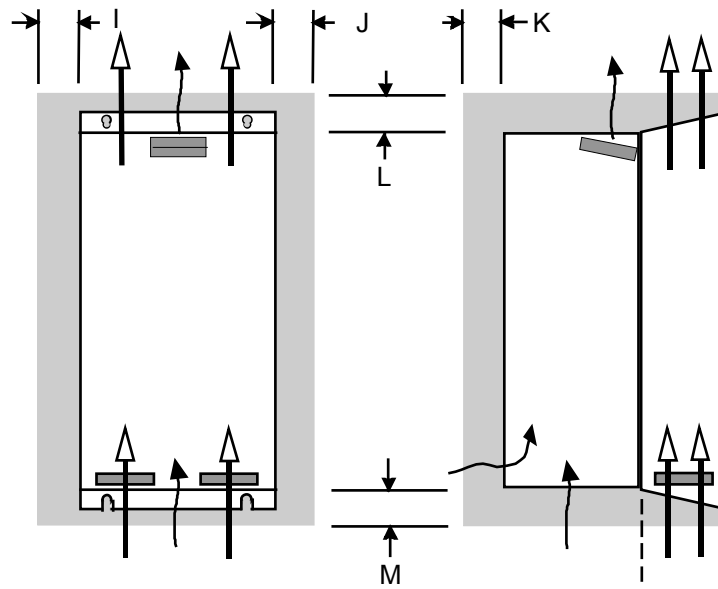
(1): Electronics  
(2): Head dissipator

	H	H1	D	W	W1
<b>C3H050V4</b>	453mm	440mm	245mm	252mm	150mm
<b>C3H090V4</b>	668.6mm	630mm	312mm	257mm	150mm
<b>C3H1xxV4</b>	720mm	700mm	355mm	257mm	150mm

**Mounting:** 4 screws M6

**Ventilation:** During operation, the device radiates heat (power loss). Please provide for a sufficient mounting distance below and above the device in order to ensure free circulation of the cooling air. Please do also respect the recommended distances of other devices. Make sure that the mounting plate is not exhibited to other temperature influences than that of the devices mounted on this very plate. If two or more devices are combined, the mounting distances are added.

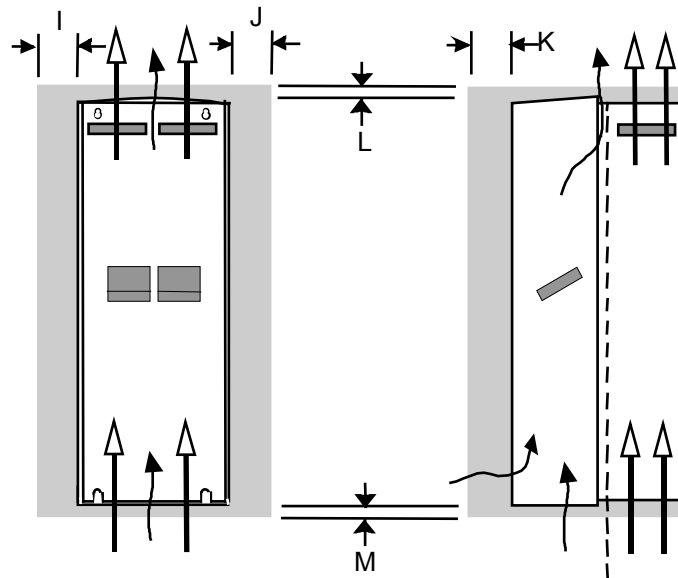
3.9.3.1 Mounting distances, air currents Compax3H050V4



in mm

	I	J	K	L	M
<b>C3H050V4</b>	15	5	25	70	70

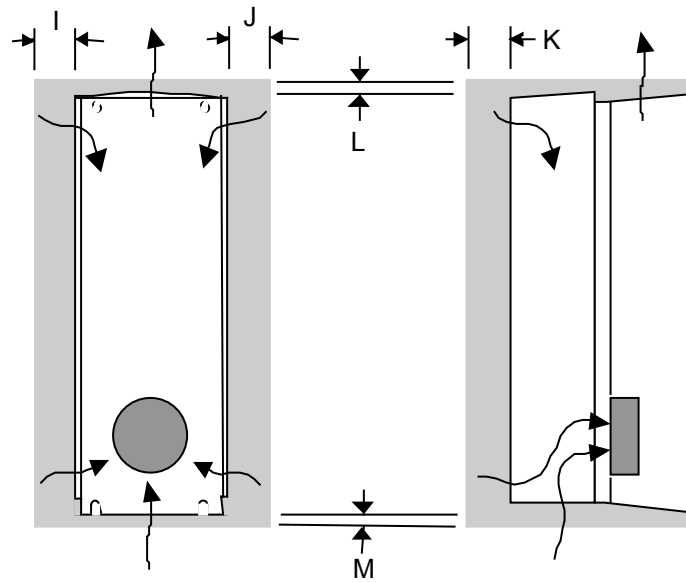
3.9.3.2 Mounting distances, air currents Compax3H090V4



in mm

	I	J	K	L	M
<b>C3H090V4</b>	0	0	25	70	70

### 3.9.3.3 Mounting distances, air currents Compax3H1xxV4



in mm

	I	J	K	L	M
<b>C3H1xxV4</b>	0	0	25	70	70

### 3.10 Safety function - STO (=safe torque off)

**In this chapter you can read about:**

General Description.....79  
 STO (= safe torque off) with Compax3S .....82  
 STO (= safe torque off) with Compax3m (Option S1).....93

#### 3.10.1. General Description

**In this chapter you can read about:**

Important terms and explanations.....79  
 Intended use.....80  
 Advantages of using the "safe torque off" safety function.....80  
 Devices with the STO (=safe torque off) safety function.....81

The present documentation assumes a basic knowledge of our drive controllers as well as an understanding of safety-oriented machine design. References to standards and other regulations are only rudimentarily expressed. For complementary information, we recommend the respective technical literature.

#### 3.10.1.1 Important terms and explanations

Term	Explanation
<b>Safety category 3 in accordance with EN ISO 13849-1</b>	Definition according to standard: Circuit with safety function against individual errors. Some, but not all errors are detected. An accumulation of errors may lead to a loss of the safety function. The remaining risk is accepted. The determination of the safety category required for an application (risk analysis) lies within the responsibility of the machine manufacturer. It can take place according to the method described in EN ISO 13849-1, appendix A.
<b>"Safe torque off" or abbreviated: STO=Safe torque off</b>	With the "safe torque off", the energy supply of the drive is safely interrupted according to EN 1037, paragraph 4.1. The drive is not to be able to produce a torque and thus dangerous movements (see EN 1037, paragraph 5.3.1.3). The standstill position must not be monitored. If an external force effect, e.g. a drop of hanging loads, is possible with the "safe torque off", additional measures to safely prevent those must be provided (e.g. additional mechanical brakes). The following measures are appropriate for a "safe torque off": Contactor between mains and drive system (mains contactor) Contactor between power section and motor (motor contactor) Safe blocking of the power semiconductor control (start inhibitor)
<b>Start inhibitor</b>	Safe blocking of the power semiconductor control. With the aid of this function, you can obtain a "safe torque off".

#### Stop categories according to EN60204-1 (9.2.2)

Stop category	Safety function	Requirement	System behavior	Remark
0	Safe torque off (STO)	Stopping by immediately switching off the energy supply of the machine drive elements	Uncontrolled stop	Uncontrolled stop is the stopping of a machine movement by switching off the energy of the machine drive elements. Available brakes and/or other mechanical stopping components are applied.
1	Safe stop 1 (SS1)	Stop where the energy of the machine drive elements is maintained in order to reach a stop. The energy supply is only interrupted, if the standstill is attained.	Controlled stop	Controlled stop is the stopping of a machine movement by for instance resetting the electrical command signal to zero, as soon as the stop signal has been detected by the controller, the electrical energy for the machine drive elements remains however during the stopping procedure.
2	Safe stop 2 (SS2)	Stop where the energy to the machine drive elements is maintained.	Controlled stop	This category is not covered.

### 3.10.1.2 Intended use

The Compax3 drive controller supports the "safe torque off" (STO) safety function, with protection against unexpected startup according to the requirements of EN ISO 13849-1, category 3 to PLe and EN 1037.

Together with the external safety control device, the "safe stop 1" (SS1) safety function according to the requirements of EN ISO 13849-1 category 3 can be used. As the function is however realized with the aid of an individually settable time delay on the safety switching device, you must take into account that, due to an error in the drive system during the active braking phase, the axis trundles to a stop unguided or may even accelerate actively in the worst case until the expiry of the preset switch-off time.

According to a risk evaluation which must be carried out according to the machine standard 98/37/EG and 2006/42/EG or EN ISO 12100, EN ISO 13849-1 and EN ISO 14121-1, the machine manufacturer must project the safety system for the entire machine including all integrated components. This does also include the electrical drives.

#### Qualified personnel

Projecting, installation and setup require a detailed understanding of this description.

Standards and accident prevention regulation associated with the application must be known and respected as well as risks, protective and emergency measures.

### 3.10.1.3 Advantages of using the "safe torque off" safety function.

#### Safety category 3 in accordance with EN ISO 13849-1

Requirements performance feature	Use of the safe torque off function	Conventional solution: Use of external switching elements
Reduced switching overhead	Simple wiring, certified application examples Grouping of drive controllers on a mains contactor is possible.	Two safety-oriented power contactors in series connection are required.
Use in the production process  High operating cycles, high reliability, low wear	Extremely high operating cycles thanks to almost wear-free technology (low-voltage relay and electronic switch). The "safe torque off" status is attained due to the use of wear-free electronic switches (IGBTs).	This performance feature cannot be reached with conventional technology.
Use in the production process  High reaction speed, fast restart	Drive controller remains performance- and control-oriented in connected state. No significant waiting times due to restart.	When using power contactors in the supply, a long waiting time for the energy discharge of the DC link circuit is required. When using two power contactors on the motor side, the reaction times may increase, you must however take into consideration other disadvantages: a) Securing that switching takes only place in powerless state (Direct current! Constant electric arcs must be prevented). b) Increased overhead for EMC conform wiring.
Emergency-stop function	According to the German version of the standard: Permitted without control of mechanical power switching elements 1)	Switch-off via mechanical switching elements is required

1) According to the preface of the German version of the EN 60204-1/11.98, electronic equipment for emergency-stop devices are also permitted, if they comply with the safety categories as described in EN ISO 13849-1.



### 3.10.1.4 Devices with the STO (=safe torque off) safety function

#### **Safety function - STO (=safe torque off):**

##### **Compax3 technology function**

- ◆ I10T10, I11T11, I12T11
- ◆ I11T30, I20T30, I21T30, I22T30, I30T30, I31T30, I32T30,  
I11T40, I20T40, I21T40, I22T40, I30T40, I31T40, I32T40
- ◆ I20T11, I21T11, I22T11, I30T11, I31T11, I32T11
- ◆ C10T11, C10T30, C10T40,  
C13T11, C13T30, C13T40,  
C20T11, C20T30, C20T40

##### **with the device power / series**

S025V2, S063V2, S100V2, S150V2, S015V4, S038V4, S075V4, S150V4,  
S300V4

M050D6, M100D6, M150D6, M300D6,

and is only valid with the stated conditions of utilization.

### 3.10.2. STO (= safe torque off) with Compax3S

In this chapter you can read about:

STO Principle (= Safe Torque Off) with Compax3S .....	82
Conditions of utilization STO (=safe torque off) Safety function.....	84
Notes on the STO function.....	84
STO application example (= safe torque off).....	85
Technical Characteristics STO Compax3S .....	92

#### 3.10.2.1 STO Principle (= Safe Torque Off) with Compax3S

To ensure safe protection against a motor starting up unexpectedly, the flow of current to the motor and thus to the power output stage must be prevented.

This is accomplished for Compax3S with two measures independent of each other (Channel 1 and 2), without disconnecting the drive from the power supply:

##### Channel 1:

Activation of the power output stage can be disabled in the Compax3 controller by means of a digital input or with a fieldbus interface (depending on the Compax3 device type) (deactivation of the energize input).

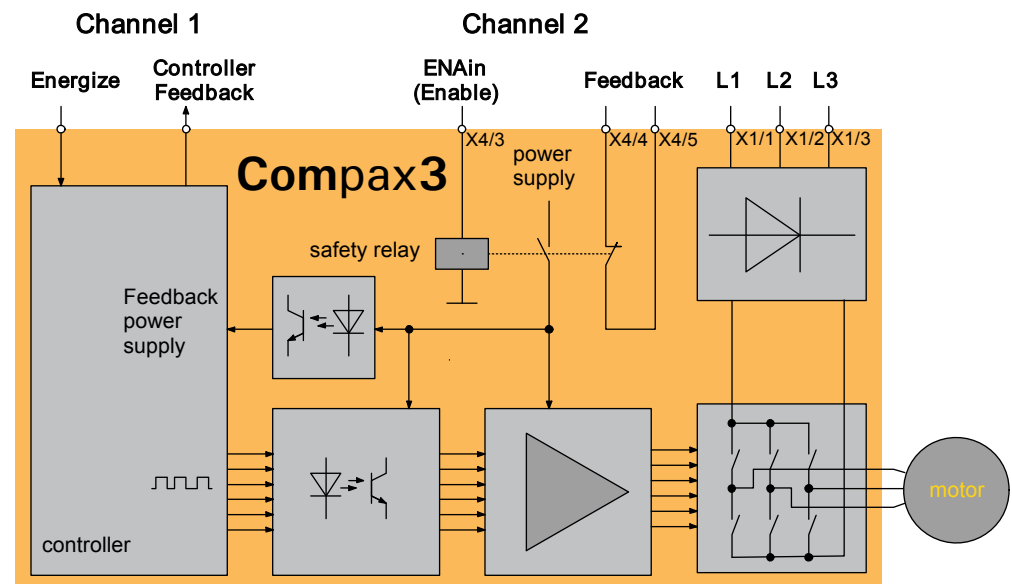
##### Channel 2:

The power supply for optocouplers and drivers of power output stage signals is disconnected by a safety relay activated by the enable input "ENAIN"(X4/3) and equipped with force-directed contacts. This prevents control signals from being transferred to the power output stage.



**The STO (= Safe Torque Off) safety function in accordance with EN ISO 13849-1: 2008 PLd or PLe, Kat.3 is only possible when using both channels via an external safety switching device  
Please note the application examples!**

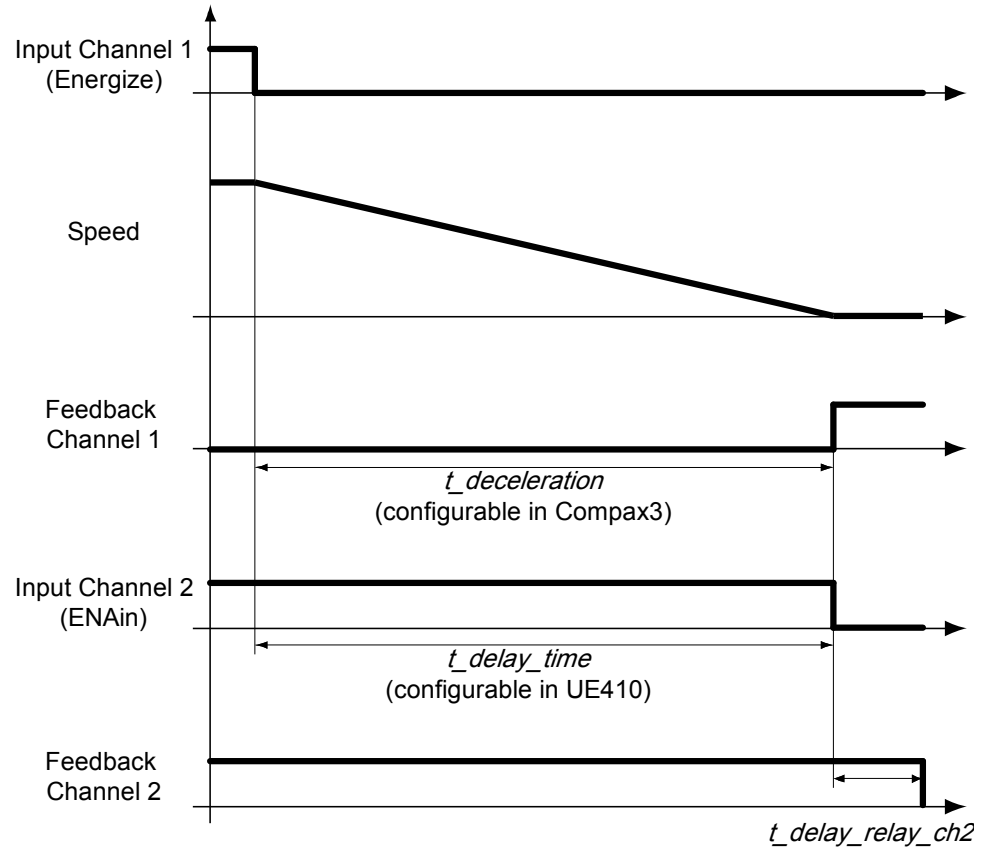
Circuit diagram illustrating working principle:



##### Notes

- ◆ In normal operation of Compax3, 24VDC of power is supplied to the "Enable" input (X4/3). The control of the drive takes then place via the digital inputs/outputs or via the fieldbus.

**STO delay times**



The deceleration time  $t_{deceleration}$  depends on the configuration of the Compax3. It must be configured so that oscillation free bringing to standstill is possible, depending on the mechanical load. The delay time  $t_{delay\_time}$  must be set in the safety control device UE410 so that  $t_{delay\_time} > t_{deceleration}$ . Only after the elapsing of the relay delay  $t_{delay\_relay\_ch2}$ , the STO function is completely activated. The relay delay time  $t_{deay\_relay\_ch2}$  is 15 ms.


### 3.10.2.2 Conditions of utilization STO (=safe torque off) Safety function

- ◆ STO can only be implemented in Compax3 with a corresponding safety switching device considering the application examples.
- ◆ Safety functions must be tested 100%.
- ◆ The Compax3S and the safety switching device used must be mounted in a protected way (IP54 mounting cabinet).
- ◆ Only qualified staff members are permitted to install the STO (=safe torque off) function and place it in service.
- ◆ For all applications in which the first channel of the “Safe torque off” is implemented by means of a PLC, care must be taken that the part of the program that is responsible for current flowing to or not flowing to the drive is programmed with the greatest possible care. The Safe Torque off application example of Compax3 with fieldbus should be considered.  
The designer and operator responsible for the system and machine must refer programmers who are involved to these safety-related points.
- ◆ Terminal X4/2 (GND 24 V and at the same time the reference point for the safety relay bobbin) must be connected with the PE protective lead. This is the only way to ensure protection against incorrect operation through earth faults (EN60204-1 Section 9.4.3)!
- ◆ All conditions necessary for CE-conform operation must be observed.
- ◆ When using an external safety switching device with adjustable delay time, (as illustrated in the STO application example), it must be ensured that the delay time cannot be adjusted by persons not authorized to do so (for example by applying a lead seal). With the UE410-MU3T5 safety switching device, this is not necessary, if the anti manipulation measures are respected.
- ◆ The adjustable delay time on the safety switching device must be set to a value greater than the duration of the braking ramp controlled by the Compax3 with maximum load and maximum speed.  
If the setting range for the specified Emergency power-off module is not sufficient, the Emergency power-off module must be replaced by another equivalent module.
- ◆ All safety-related external leads (for example the control lead for the safety relay and feedback contact) must absolutely be laid so they are protected, for example in a cable duct. Short circuits and crossed wires must be reliably excluded!
- ◆ If there are external forces operating on the drive axes, additional measures are required (for example additional brakes). Please note in particular the effects of gravity on suspended loads!

### 3.10.2.3 Notes on the STO function

- ◆ It should be noted in connection with the STO (= safe torque off) application example illustrated here that after the Emergency stop switch has been activated, no galvanic isolation in accordance with EN 60204-1 Section 5.5 is guaranteed. This means that the entire system must be disconnected from the mains power supply with an additional main switch or mains power contactor for repair jobs. Please note in this regard that even after the power is disconnected, dangerous electrical voltages may still be present in the Compax3 drive for about 10 minutes.
- ◆ During the active braking phase of Stop category 1 (controlled bringing to a stop with safely monitored delay time according to EN60204-1) or safe stop 1, faulty function must be expected. If an error in the drive system or mains failure occurs during the active braking phase, the axis may trundle to a stop unguided or might even actively accelerate until the expiry of the defined switch-off time.
- ◆ Please note that the control of the drive via Energize (Energize input or fieldbus interface) is not executed in all operating conditions. The following restrictions apply when the set-up window of the C3 ServoManager is used:
  - ◆ If the setup mode is switched on, the fieldbus interface and the energize input are blocked.
  - ◆ the energize input can be ignored if the input simulator is activated (depending on the settings).

**Note on error switch-off**

	<p><b><u>If the "safe torque off" function of Compax3 is required or used for a machine or system, the two errors:</u></b></p> <ul style="list-style-type: none"> <li>◆ "Motor_Stalled" (Motor stalled) and</li> <li>◆ "Tracking" (following error)</li> </ul> <p><b><u>are not to be switched off (see on page 138, see on page 151).</u></b></p>
---	--

**3.10.2.4 STO application example (= safe torque off)****In this chapter you can read about:**

Circuit layout overview.....	85
Safe torque off layout with bus.....	89

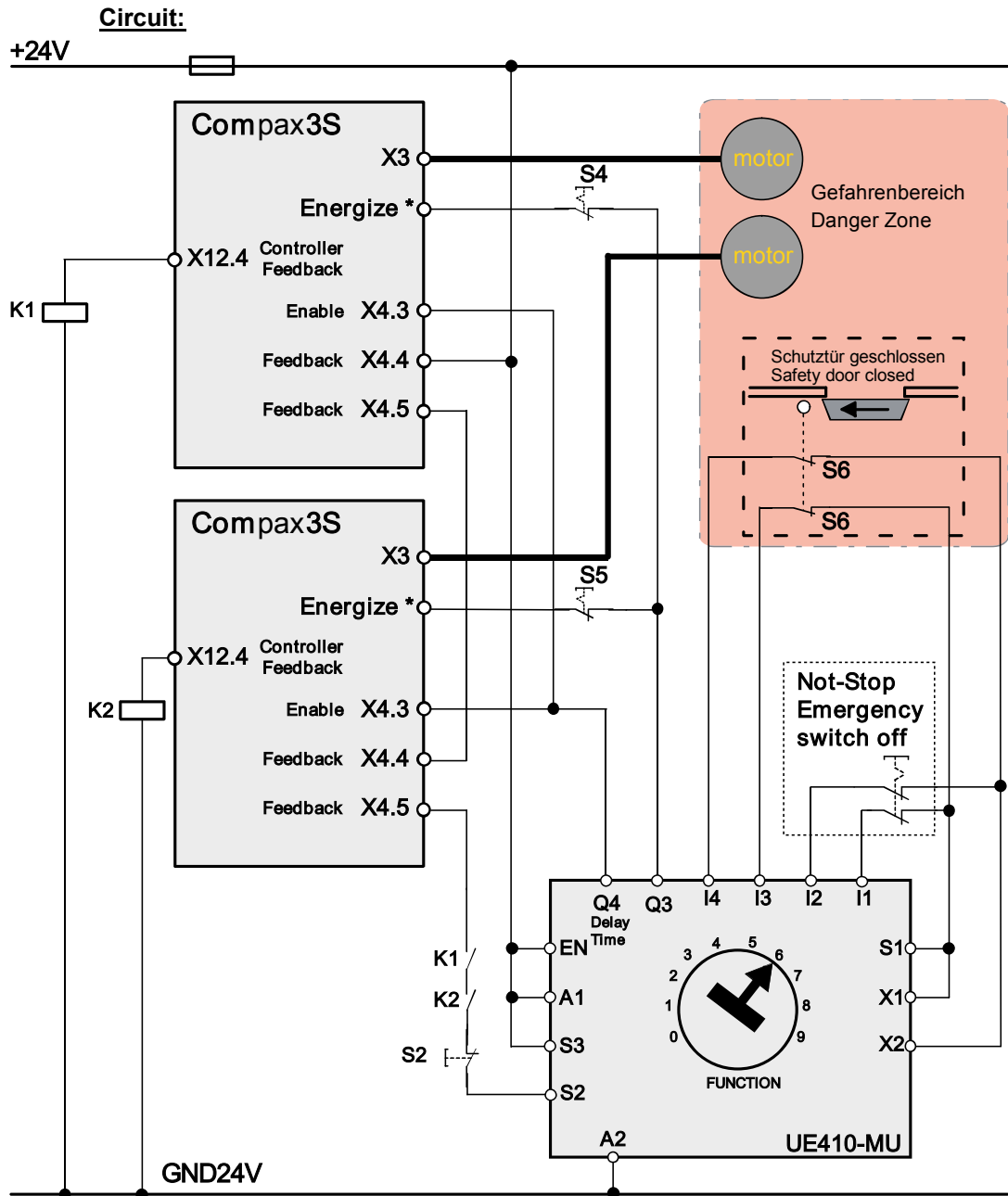
The application example described here corresponds to Stop Category 1 as defined by EN60204-1.

Together with the external safety switching device, the "Safe Stop 1"(SS1) safety function can also be implemented.

A Stop Category 0 in accordance with EN 60204-1 can be implemented, for example by setting the delay time on the Emergency power-off module as well as on the Compax3 (delay time for "switch to currentless") to 0. The Compax3M will then be turned off immediately in 2 channels and will therefore not be able to generate any more torque. Please take into consideration that the motor will not brake and a coasting down of the motor may result in hazards. If this is the case, the STO function in stop category 0 is not permitted.

**Circuit layout overview**

- ◆ 2 Compax3 devices (the circuit example is also valid for one or multiple devices, if it is adapted accordingly)
- ◆ 1 Emergency Power-off module (UE410-MU3T5 manufactured by Sick)  
With adjustable delayed deactivation of the Compax3 enable input ENAi.  
The time must be set so that all axes are at a standstill before the Compax3 controllers are deactivated.
- ◆ The operating instructions of the UE410-MU3T5 safety switching device must be observed.
- ◆ 1 emergency power-off switch
- ◆ Hazardous area accessible via a safety door with safety door switch S6.
- ◆ 1 pushbutton per Compax3
- ◆ For the Energize input on Compax3, a debouncing time > 3 ms must be configured
- ◆ 1 relay per Compax3  
The relay must be dimensioned so that it has a lifetime of at least 20 years, taking the cycle time into consideration. If this is not the case, the relays must be exchanged for new relays after expiration of the lifetime.



Energize = I0 (X12/6) Ackn = I2 (X12/8)

Instead of the safety switching device manufactured by Sick mentioned above, you may use other safety switching devices.

The safety switching device must however provide the following features:

- ◆ 1 normally open contact is required for switching off channel 1 (as an alternative, a safe semiconductor output is possible)
- ◆ 1 off-delayed normally open safety contact is required for switching off channel 2 (as an alternative, a safe semiconductor output with adjustable delay time for the high\_to\_low\_edge is possible).
- ◆ 1 one-channel monitoring circuit where the feedback contacts of channels 1 and 2 can be integrated for simultaneous monitoring, is required.  
At the same time it must be possible to integrate a one-channel start button for activation of the safety switching device into the circuit.  
A new start may only be successful, if it is ensured, that channels 1 and 2 are switched off.
- ◆ 1 two-channel connection for emergency power off and/or safety door contacts with cross fault monitoring is required.
- ◆ The safety switching device must feature performance PL e. The I/Os must at least correspond to category 3.

Switches and buttons:

1 N/C (S4, S5) per device:	Guide Device to a currentless state
S6:	closed when the safety door is closed
S2:	Activate safety switching device

**Caution!** Module UET410-MU3T5 modulates regularly test switching signals (OSSD) on outputs Q3 and Q4.  
We recommend to use a filter > 3 ms for signal Q3 in the PLC.

**Safe torque off description**

**In this chapter you can read about:**

Basic functions: .....91  
Access to the hazardous area .....92

**In this chapter you can read about:**

Safe torque off basic function .....87  
Access to the hazardous area .....88

**Safe torque off basic function**

**Compax3 devices disabled by:**

- Channel 1: Energize input to “0” by safety switching device output Q3
- Channel 2: Enable input ENAI to “0” by safety switching device output Q4

**Activate safety switching device**

Before the Compax3 can be placed into operation, the safety switching device must be activated by a pulse to Input S2.

Prerequisite:

- ◆ S2 closed
- ◆ Safety door closed
- ◆ K1 and K2 energized
  - ◆ K1: receives current if Compax3 Device 1 is currentless (output = "1" in currentless state) = Channel 1 feedback
  - ◆ K2: receives current if Compax3 device 2 is currentless (output = "1" in the currentless state) = channel 1 feedback
- ◆ The feedback contact of all Compax3 devices must be closed (channel 2).

**Energize Compax3 (Motor and power output stage)**

- ◆ With the safety switching device, the Compax3 devices are enabled via the energize input and the Enable input ENAI. (If an error is still present in the Compax3, it must be acknowledged - the ackn function depends on the Compax3 device type)
- ◆ The motors are energized with current.

Summary: Compax3 is only energized if the feedback functions are capable of functioning via two channels.

## Access to the hazardous area

### Actuate emergency power-off switch

Due to the interruption on two channels at the emergency power-off switch, the safety switching device is deactivated - output Q3 is immediately "0".

**Channel 1:** Via the Energize input, the Compax3 devices receive the command to guide the drive to a currentless state (using the ramp configured in the C3 ServoManager for "drive disable").

**Channel 1 feedback 1:** The "Controller Feedback" Compax3 outputs supply current to Relays K1 and K2.

**Channel 2:** After the delay time set in the safety switching device, (this time must be set so that all drives are stopped after it has elapsed) the output Q4 = "0", which in turn deactivates the Enable inputs ENAin of the Compax3 devices.

**Channel 2 feedback:** Via the series circuit of all feedback contacts, the "Safe Torque-off" status (all Compax3 devices without current) is reported.

Only if the drives are all at a standstill, the safety door may be opened and the hazardous area may be accessed.

If the safety door is opened during operation and the emergency-power-off switch was not triggered before, the Compax3 drives will also trigger the stop ramp.



#### **Caution! The drives may still move.**

If danger to life and limb of a person entering cannot be excluded, the machine must be protected by additional measures (e.g. a safety door locking).

## Technical Characteristics STO Compax3S

### Safety technology Compax3S

<p>Safe torque-off in accordance with EN ISO 13849: 2008, Category 3, PL d/e Certified. Test mark IFA 1003004</p>	<ul style="list-style-type: none"> <li>◆ For implementation of the "protection against unexpected start-up" function described in EN1037.</li> <li>◆ Please note the <b>circuitry examples</b> (see on page 79).</li> </ul>
---	---

### Compax3S STO (=safe torque off)

Nominal voltage of the inputs	24 V
Required isolation of the 24V control voltage	Grounded protective extra low voltage, PELV
Protection of the STO control voltage	1 A
Grouping of safety level	<p><b>STO switch-off via internal safety relay &amp; digital input:</b> PL e, PFHd=2.98E-8</p> <p><b>STO switch-off via internal safety relay &amp; fieldbus:</b> PL d, PFHd=1.51E-7</p> <p>A MTTFd=15 of the external PLC and STO cycles/year &lt; 500 000 are assumed.</p>



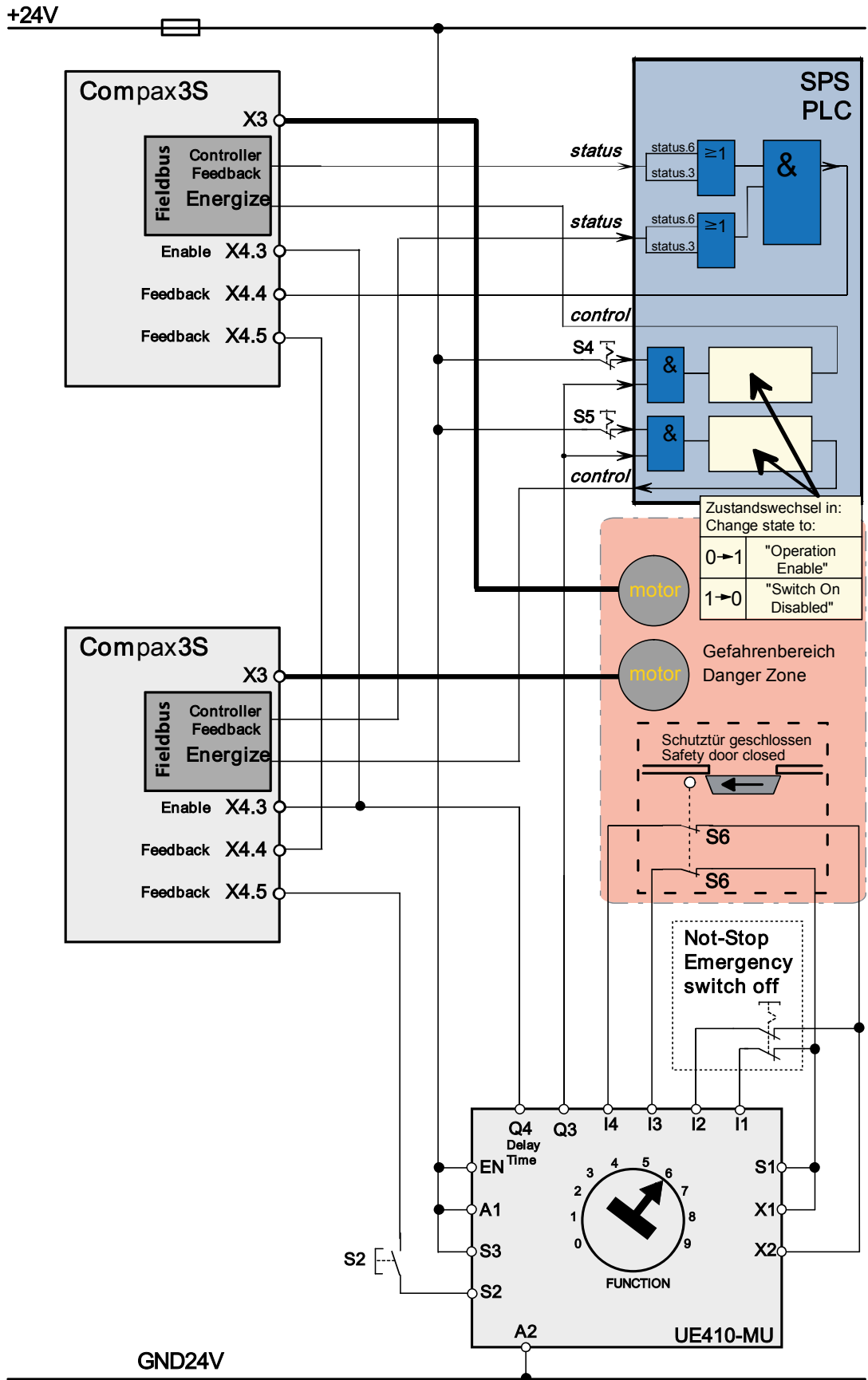
**Safe torque off layout with bus**

- ◆ 2 Compax3 devices (the circuit example is also valid for one or multiple devices, if it is adapted accordingly)
- ◆ 1 Emergency Power-off module (UE410-MU3T5 manufactured by Sick)  
With adjustable delayed deactivation of the Compax3 enable input ENAi.  
The time must be set so that all axes are at a standstill before the Compax3 controllers are deactivated.
- ◆ The operating instructions of the UE410-MU3T5 safety switching device must be observed.
- ◆ 1 emergency power-off switch
- ◆ Hazardous area accessible via a safety door with safety door switch S6.
- ◆ 1 pushbutton per Compax3

**Circuit:**

control: **Control word** (see on page 308)

status: **Status word** (see on page 310)



Instead of the safety switching device manufactured by Sick mentioned above, you may use other safety switching devices.

The safety switching device must however provide the following features:

- ◆ 1 normally open contact is required for switching off channel 1 (as an alternative, a safe semiconductor output is possible)
- ◆ 1 off-delayed normally open safety contact is required for switching off channel 2 (as an alternative, a safe semiconductor output with adjustable delay time for the high\_to\_low\_edge is possible).
- ◆ 1 one-channel monitoring circuit where the feedback contacts of channels 1 and 2 can be integrated for simultaneous monitoring, is required.  
At the same time it must be possible to integrate a one-channel start button for activation of the safety switching device into the circuit.  
A new start may only be successful, if it is ensured, that channels 1 and 2 are switched off.
- ◆ 1 two-channel connection for emergency power off and/or safety door contacts with cross fault monitoring is required.
- ◆ The safety switching device must feature performance PL e. The I/Os must at least correspond to category 3.

Switches and buttons:

1 N/C (S4, S5) per device:	Guide Device to a currentless state
S6:	closed when the safety door is closed
S2:	Activate safety switching device

**Caution!** Module UET410-MU3T5 modulates regularly test switching signals (OSSD) on outputs Q3 and Q4.  
We recommend to use a filter > 3 ms for signal Q3 in the PLC.

### Safe torque off description

#### **Basic functions:**

#### **Compax3 devices disabled by:**

Channel 1: Energize deactivated by PLC and safety switching device output Q3.

Channel 2: Enable input to "0" by safety switching device output Q4.

#### **Activate safety switching device**

Before the Compax3 can be placed into operation, the safety switching device must be activated by a pulse to Input S2.

Prerequisite:

- ◆ S2 closed
- ◆ Safety door closed: only then the safety door monitor will enable the safety switching device on two channels
- ◆ Feedback activated via PLC (Controller feedback channel 1: motor not energized)
- ◆ The feedback contact of all Compax3 devices must be closed (channel 2).

#### **Energize Compax3 (Motor and power output stage)**

- ◆ The PLC enables the Compax3 devices by means of the control word and the safety switching device enables the Compax3 devices by means of the Enable input. (If an error is still present on the Compax3, it must be acknowledged before)
- ◆ The motors are energized with current.

Summary: Compax3 is only energized if the feedback functions are capable of functioning via two channels.

## Access to the hazardous area

### Actuate emergency power-off switch

Due to the interruption on two channels at the emergency stop switch, the safety switching device is deactivated - output Q is immediately "0".

The PLC evaluates this and responds as follows:

**Channel 1:** The Compax3 devices receive via the control word the command to guide the drive to currentless state (via the ramp for "deenergizing" configured in the C3 ServoManager).

Channel 1 feedback: The Compax3 feedback via the status word is evaluated by the PLC and passed on to the safety switching device via the Compax3 Feedback (X4.4 and X4.5).

Channel 2: After the delay time set in the safety switching device, (this time must be set so that all drives are stopped after it has elapsed) the output Q4 = "0", which in turn deactivates the Enable inputs ENAin of the Compax3 devices.

**Channel 2 feedback:** Via the series circuit of all feedback contacts, the "Safe Torque-off" status (all Compax3 devices without current) is reported.

Only if the drives are all at a standstill, the safety door may be opened and the hazardous area may be accessed.

If the safety door is opened during operation and the emergency-power-off switch was not triggered before, the Compax3 drives will also trigger the stop ramp.



#### **Caution! The drives may still move.**

If danger to life and limb of a person entering cannot be excluded, the machine must be protected by additional measures (e.g. a safety door locking).

## 3.10.2.5 Technical Characteristics STO Compax3S

### Safety technology Compax3S

<b>Safe torque-off in accordance with EN ISO 13849: 2008, Category 3, PL d/e Certified.</b> <b>Test mark IFA 1003004</b>	<ul style="list-style-type: none"> <li>◆ For implementation of the "protection against unexpected start-up" function described in EN1037.</li> <li>◆ Please note the <b>circuitry examples</b> (see on page 79).</li> </ul>
---	---

### Compax3S STO (=safe torque off)

Nominal voltage of the inputs	24 V
Required isolation of the 24V control voltage	Grounded protective extra low voltage, PELV
Protection of the STO control voltage	1 A
Grouping of safety level	<b>STO switch-off via internal safety relay &amp; digital input:</b> PL e, PFHd=2.98E-8 <b>STO switch-off via internal safety relay &amp; fieldbus:</b> PL d, PFHd=1.51E-7 A MTTFd=15 of the external PLC and STO cycles/year < 500 000 are assumed.

### 3.10.3. STO (= safe torque off) with Compax3m (Option S1)

In this chapter you can read about:

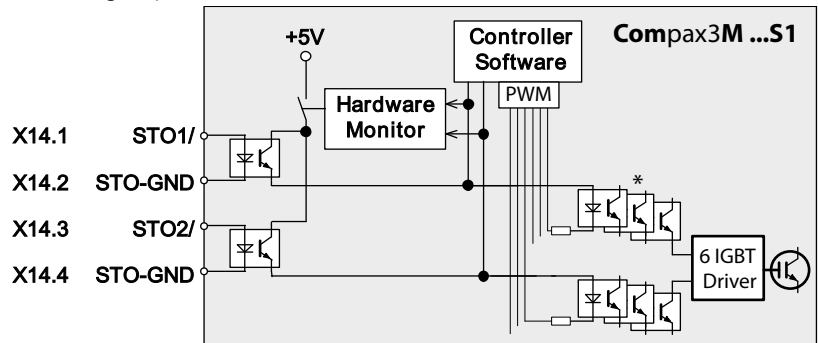
Safety switching circuits.....	93
Safety notes for the STO function in the Compax3M.....	94
Conditions of utilization for the STO function with Compax3M .....	94
STO delay times.....	95
Compax3M STO application description .....	96
STO function test.....	100
Technical details of the Compax3M S1 option .....	102

#### 3.10.3.1 Safety switching circuits

The current flow in the motor windings is controlled by a power semiconductor bridge (6-fold IGBT). A processor circuit and PWM circuit will switch the IGBT with rotary field orientation. Between control logic and power module, optocouplers are used for potential separation.

On the Compax3M drive controller with S1 option, the X14 (STO) connector can be found on the front plate. 2 optocouplers are controlled on two channels via the STO1/ and STO2/ terminals of this connector. When requesting the STO via an external safety switching device, the two auxiliary voltage supply channels of the power stage control circuits are switched off on two channels. Therefore the power transistors (IGBTs) for the motor current can not longer be switched on.

The hardware monitor detects the failure of the optocoupler circuit of a channel by always checking both channels for similarity. If the hardware monitor detects a discrepancy for a defined time (ax. 20s), the error will be stored in the hardware memory. The processor signals this error externally via the 0x5493 error code. An activation of the coupler supply can then only take place via a hardware reset (switching off and on again) of the device.



\* Potential separation with optocoupler.

### 3.10.3.2 Safety notes for the STO function in the Compax3M

- ◆ It should be noted in connection with the STO application examples illustrated here that after the Emergency stop switch has been activated, no galvanic isolation in accordance with EN 60204-1 Section 5.5 is guaranteed. This means that the entire system must be disconnected from the mains power supply with an additional main switch or mains power contactor for repair jobs. Please note in this regard that even after the power is disconnected, dangerous electrical voltages may still be present in the Compax3 drive for about 10 minutes.
- ◆ During the active braking phase of Stop category 1 (controlled bringing to a stop with safely monitored delay time according to EN60204-1) or safe stop 1, faulty function must be expected. If an error in the drive system occurs during the active braking phase, the axis may trundle to an unguided stop or might even actively accelerate until the expiry of the defined switch-off time.
- ◆ For synchronous motors operated in the field weakening range, the operation of the STO function may lead to over speed and destructive, life-threatening over voltages as well as explosions in the servo drive. Therefore, NEVER use the STO function with synchronous drives in the field-weakening range.
- ◆ It is important to note that if the drive is being activated (Energize) by the USB / RS485 interface, it may not be possible to execute switch-off by a controlled braking ramp. For example, this is true when the set-up window of the C3 ServoManager is used. If set-up mode is turned on or with the input simulator, the digital I/O interface and fieldbus interface are automatically disabled.

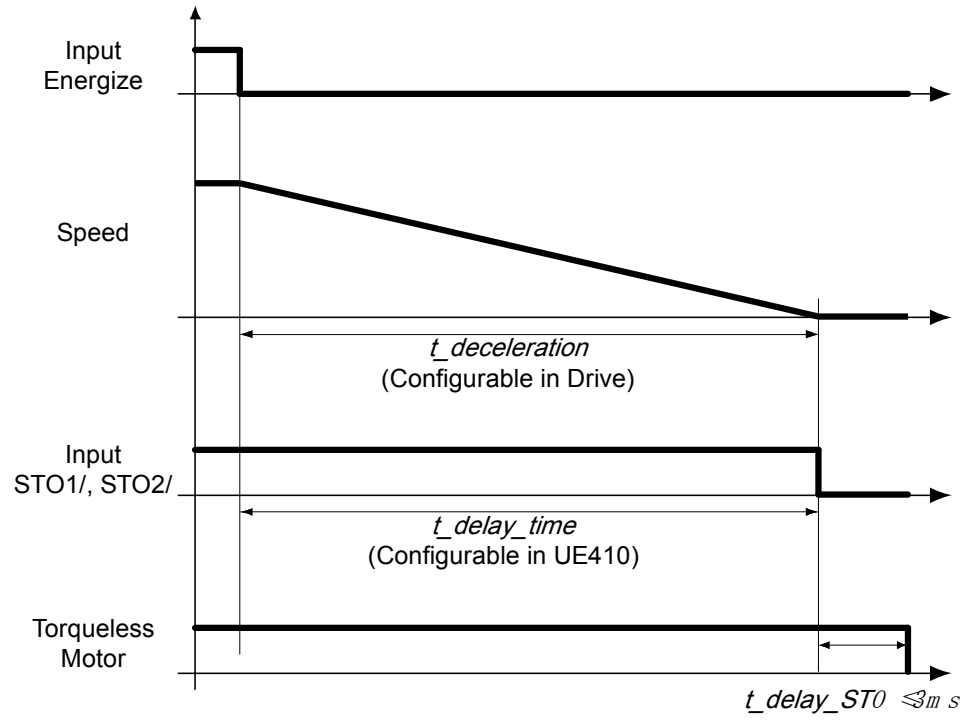
### Maintenance

When using the S1 option, a protocol describing the orderly working of the safety function must be made upon the setup and in defined maintenance intervals (see protocol proposal).

### 3.10.3.3 Conditions of utilization for the STO function with Compax3M

- ◆ The STO safety function must be tested and protocolled **as described** (see on page 100). The safety function must be requested at least once a week. In safety door applications, the weekly testing interval must not be observed, as you can assume that the safety doors will be opened several times during the operation of the machine.
- ◆ The Compax3M with integrated STO safety function as well as the utilized safety switching devices must be mounted protected (IP54 control cabinet).
- ◆ Only qualified staff members are permitted to install the STO function and place it in service.
- ◆ The X9/2 (GND24V) terminal on the PSUPxx mains module must be connected to the PE protective lead. This is the only way to ensure protection against incorrect operation through earth faults (EN60204-1 Section 9.4.3)!
- ◆ When using an external safety switching device with adjustable delay time, (as illustrated in the STO application example), it must be ensured that the delay time cannot be adjusted by persons not authorized to do so (for example by applying a lead seal). With the UE410-MU3T5 safety switching device, this is not necessary, if the anti manipulation measures are respected.
- ◆ The adjustable delay time on the safety switching device must be set to a value greater than the duration of the braking ramp controlled by the Compax3 with maximum load and maximum speed.
- ◆ All conditions necessary for CE-conform operation must be observed.
- ◆ If there are external forces operating on the drive axes, additional measures are required (for example additional brakes). Please note in particular the effects of gravity on suspended loads! This must be respected above all for vertical axes without self-locking mechanical devices or weight balance.
- ◆ When using synchronous motors, a short movement over a small angle is possible, if two errors occur simultaneously in the power section. This depends on the number of pole pairs of the motor (rotary types: 2 poles = 180°, 4 poles = 90°, 6 poles = 60°, 8 poles = 45°, Linear motors: 180° electrically).

### 3.10.3.4 STO delay times

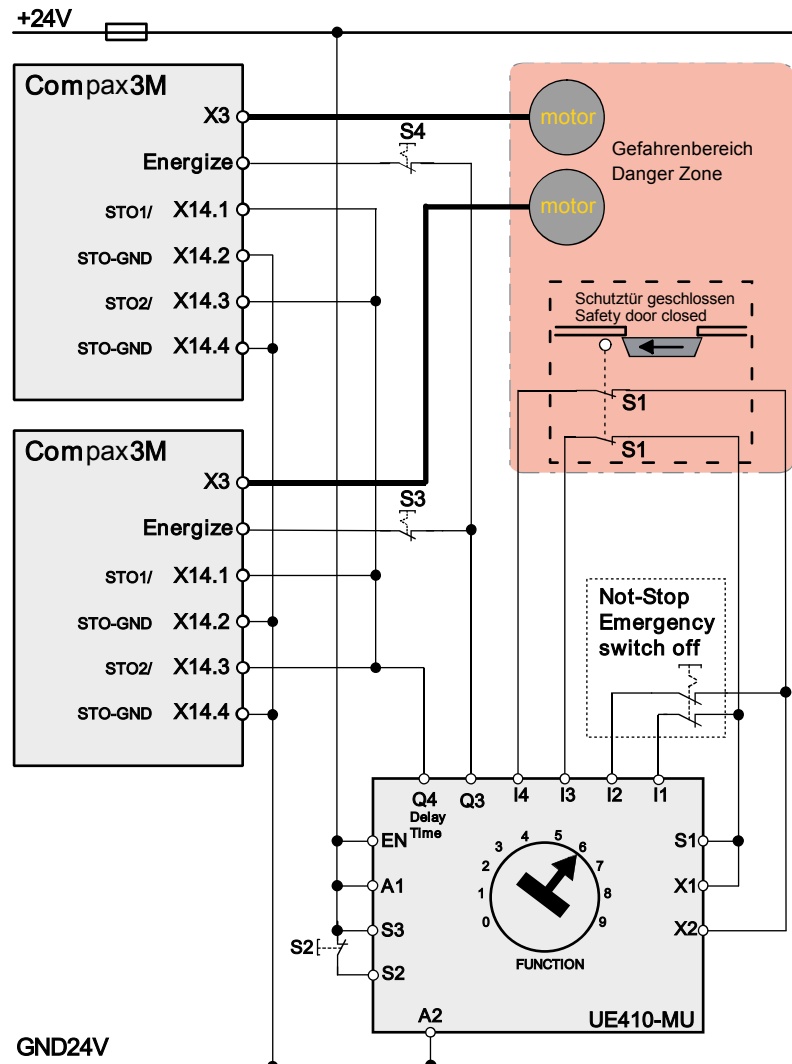


### 3.10.3.5 Compax3M STO application description

**In this chapter you can read about:**

- STO function with safety switching device via Compax3M inputs.....96
- STO function with safety switching device for T11 applications with fieldbuses .....97
- Emergency stop and protective door monitoring without external safety switching device.99

#### STO function with safety switching device via Compax3M inputs



Recommendation Energize = I0 (X12/6) (debounceable digital input)

The acknowledgement S2 via the safety control UE410-MU3T5 is only necessary, if after the disabling of the STO function, a danger to any person or to the machine could arise by automatic starting. During the **Configuration des Compax3M** (see on page 133) you must see to a debouncing time >3ms being configured for the Energize input.

The operating instructions of the UE410-MU3T5 safety control must be observed. The Compax3M devices and the UE410-MU3T5 safety control must be mounted in the same control cabinet.

1 N.C. (S3, S4) per device	Guide Device to a currentless state
S1	closed when the safety door is closed
S2	Activate safety switching device

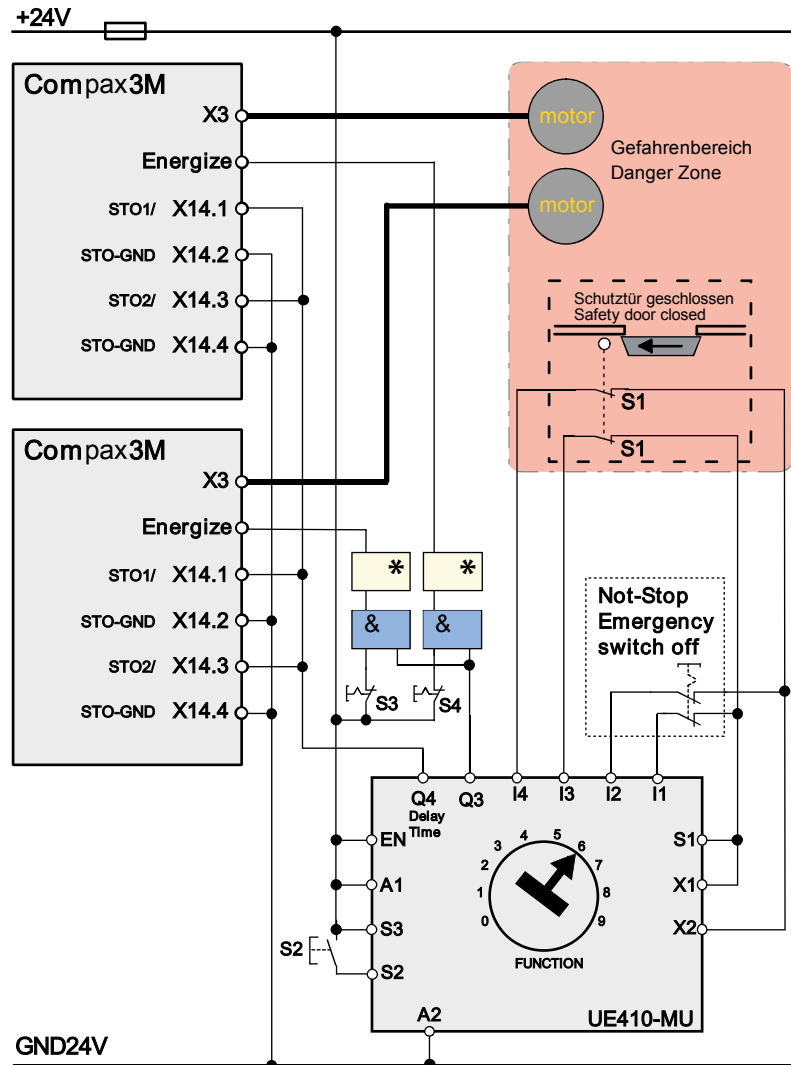


### STO function with safety switching device for T11 applications with fieldbuses

**In this chapter you can read about:**

Energize and deenergize circuitry.....97  
 Function description for fieldbus applications with T11 devices:.....98

#### Energize and deenergize circuitry



**\* With Profibus I20T11:**

Status change in:	
0 -> 1	SB1 (speed) SC1 (positioning)
1 -> 0	SA2

**\* for T11 devices with CANopen, DeviceNet, Ethernet Powerlink or Ethercat:**

Status change in:	
0 -> 1	Operation enable
1 -> 0	Switch on disabled

The operating instructions of the UE410-MU3T5 safety control must be observed. The Compax3M devices and the UE410-MU3T5 safety control must be mounted in the same control cabinet.

**Caution!**

Module UET410-MU3T5 modulates regularly test switching signals (OSSD) on outputs Q3 and Q4.

We recommend to use a filter > 3 ms for signal Q3 in the PLC.

**Function description for fieldbus applications with T11 devices:**

When opening the safety door or after actuating the emergency power-off switch, it is ensured via output Q3 and the external control that the Compax3M servo drives will enter the following state immediately:

- ◆ "SA2"  
(for Profibus) or (braking ramp followed by software switch-off)
- ◆ "Switched On Disabled"  
for fieldbuses based on the CANopen profile

In the programmable Compax3 devices (T30, T40), this switch-off is realized with the MC\_power function module. Then after the delay time set on the UE410-MU3T5 safety control, the STO function in the drives is triggered via the Q4 output. The servo drives are afterwards in safe torqueless state. The delay time must be set on the safety control so that the braking ramp in the drives has run off and the drives are at standstill when the delay time has elapsed.

The application example described here corresponds to Stop Category 1 as defined by EN60204-1. Together with the external safety switching device, the "Safe Stop 1" safety function can be implemented.

A Stop Category 0 in accordance with EN 60204-1 can be implemented, for example by setting the delay time on the safety switching device to 0. The Compax3M will then be turned off immediately in 2 channels and will therefore not be able to generate any more torque. Please take into consideration that the motor will not brake and a coasting down of the motor may result in hazards. If this is the case, the STO function in stop category 0 is not permitted.

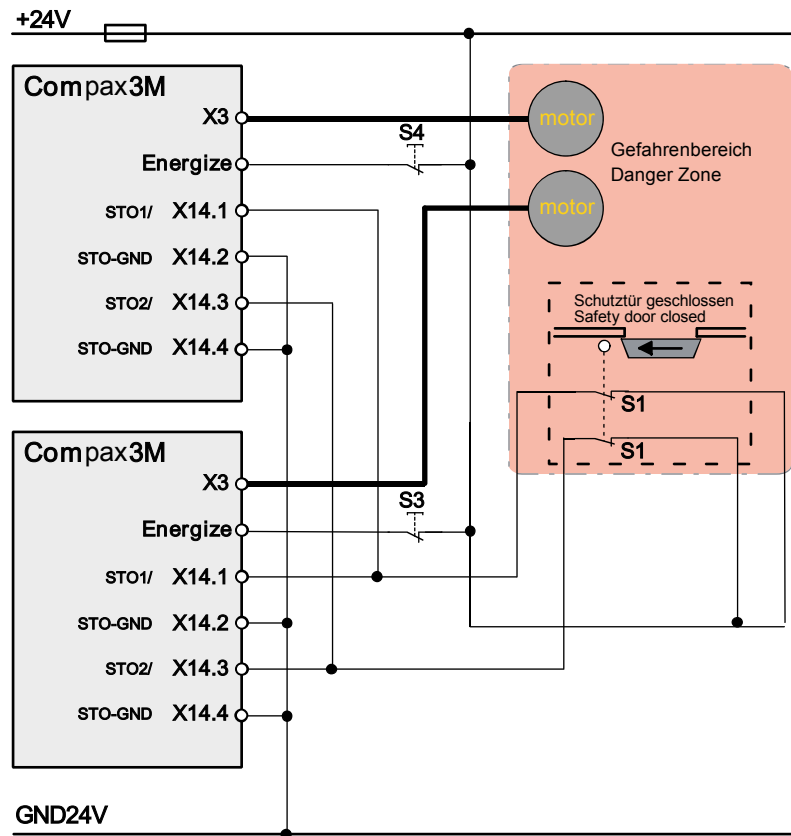
The acknowledgement via the safety control UE410-MU3T5 is only necessary, if after the disabling of the STO function, a danger to any person or to the machine could arise due to automatic startup.

**Emergency stop and protective door monitoring without external safety switching device.**

With Compax3M, a 2-channel protective door monitoring switch or a 2 channel emergency power-off switch can be directly connected. The figure below visualizes an application with 2 channel protective door monitoring switch.

The Compax3M drive modules with PSUPxx mains rectifier must be located in a protected area (IP54 control cabinet). Outside this protected area, the line guiding to the external switches must be separated channelwise or must be especially protected (blinded).

It is also permitted to use one acknowledgement switch for both servo drives at a time. In both cases the acknowledgement does only correspond to category B, therefore this acknowledgement should not be used if there is any possibility of stepping in the dangerous area. In this case, an external acknowledgement device must be used.



### 3.10.3.6 STO function test

The STO function must be checked in the event of:

- ◆ Commissioning
- ◆ After each exchange of any equipment within the system
- ◆ After each intervention into the system wiring
- ◆ In defined maintenance intervals (at least once per week) and after a longer standstill of the machine

If the STO function was triggered by opening a protective door and if this door is opened several times a week, the weekly testing interval is not required.

The check must be made by qualified personnel adhering to all necessary safety precautions.

**The following testing steps must be performed:**

STO Test	Action, activity	Expected reaction and effect
1	24V DC voltage on terminal X14.1 and X14.3	
2	Switch on power and 24V supply voltage	No error must be present
3	Configuring the device	No error must be present
4	Testing active STO on terminal X14.1 and X14.3: Remove 24V DC on terminal X14.1 and X14.3 at the same time	Error message 0x5492 must be present 1)
5	Re-apply 24V DC voltage on terminals X14.1 and X14.3 and then acknowledge error	No error must be present
6	Then switch off and on again 24V voltage supply	No error must be present

1) In order to automate the test, it is sufficient here to monitor the general error output with an external logic.

A manual check of the torqueless drive is here also sufficient.

The triggering of the STO can also be made by actuating the emergency stop switch. During the automated test, the STO can also be triggered via the contacts of an external relay

#### **Following the test steps**

The performance of the individual test steps of the STO function must be logged. A protocol specimen can be found in the following section.

Depending on the machine version, additional or other test steps may be required.

**STO test protocol specimen**

General information:

Project/machine:

Servo axis:

Name of the tester:

---

---

---

**STO function test:**

Test specification according to the  
Compax3 release:

---

STO function test steps 1-6:  successfully tested

Acknowledgement safety switching device:  successfully tested  
 is not used

Safe stop 1:  successfully tested  
 is not used

Initial acceptance on:

---

Repeat check on:

---

\_\_\_\_\_  
Signature of the tester

\_\_\_\_\_  
Signature of the tester

### 3.10.3.7 Technical details of the Compax3M S1 option

#### Safety technology Compax3M

Safe torque-off in accordance with EN ISO 13849-1: 2007, Category 3, PL=e Certified. Test mark MFS 09029	◆ Please respect the stated safety technology on the <b>type designation plate</b> (see on page 13) and the <b>circuits examples</b> (see on page 93)
---	---

#### Compax3M S1 Option: Signal inputs for connector X14

Nominal voltage of the inputs	24V
Required isolation of the 24V control voltage	Grounded protective extra low voltage, PELV
Protection of the STO control voltage	1A
Number of inputs Signal inputs via optocoupler	2 Low = 0...7V DC or open High = 15...30V DC $I_{in}$ at 24V DC: 8mA
STO1/	Low = STO activated High = STO deactivated Reaction time max. 3ms
STO2/	Low = STO activated High = STO deactivated Reaction time max. 3ms
Switch-off time with unequal input statuses (max. reaction time)	20 seconds
Grouping of safety level	Category 3 PL=e (according to table 4 in EN ISO 13849-1 this corresponds to SIL 3) PFHd=4.29E-8

# 4. Setting up Compax3

## In this chapter you can read about:

Configuration .....	103
Configuring the signal Source .....	154
Load control .....	158
Optimization .....	162

## 4.1 Configuration

### In this chapter you can read about:

Test commissioning of a Compax3 axis .....	105
Selection of the supply voltage used .....	105
Motor selection .....	105
Optimize motor reference point and switching frequency of the motor current .....	105
Ballast resistor .....	109
General drive .....	109
Defining the reference system .....	110
Defining jerk / ramps .....	134
Limit and monitoring settings .....	136
Encoder simulation .....	139
I/O Assignment .....	140
Position mode in reset operation .....	141
Reg-related positioning / defining ignore zone .....	142
Write into set table .....	142
Motion functions .....	145
Error response .....	151
Configuration name / comments .....	152
Dynamic positioning .....	152

The general proceeding in order to operate an empty-running motor is described **here** (see on page 105).

## Installation of the C3 ServoManager

### Configurations sequence:

The Compax3 ServoManager can be installed directly from the Compax3 DVD. Click on the corresponding hyperlink resp. start the installation program "C3Mgr\_Setup\_V.....exe" and follow the instructions.

### PC requirements

#### Recommendation:

Operating system:	MS Windows XP SP3 / MS Vista (32 Bit) / Windows 7 (32 Bit / 64 Bit)
Browser:	MS Internet Explorer 8.x or higher
Processor:	Intel / AMD Multi core processor >=2GHz
RAM memory:	>= 1024MB
Hard disk:	>= 20GB available memory
Drive:	DVD drive (for installation)
Monitor:	Resolution 1024x768 or higher
Graphics card:	on onboard graphics (for performance reasons)
Interface:	USB 2.0

#### Minimum requirements:

Operating system:	MS Windows XP SP2 / MS Windows 2000 as from SP4
Browser:	MS Internet Explorer 6.x
Processor:	>=1.5GHz
RAM memory:	512MB
Hard disk:	10GB available memory
Drive:	DVD drive
Monitor:	Resolution 1024x768 or higher
Graphics card:	on onboard graphics (for performance reasons)
Interface:	USB

#### Note:

- ◆ For the installation of the software you need administrator authorization on the target computer.
- ◆ Several applications running in parallel, reduce the performance and operability.
- ◆ Especially customer applications, exchanging standard system components (drivers) in order to improve their own performance, may have a strong influence on the communication performance or even render normal use impossible.
- ◆ Operation under virtual machines such as Vware Workstation 6/ MS Virtual PC is not possible.
- ◆ Onboard graphics card solutions reduce the system performance by up to 20% and cannot be recommended.
- ◆ Operation with notebooks in current-saving mode may lead, in individual cases, to communication problems.

### Connection between PC and Compax3

Your PC is connected with Compax3 via a RS232 cable (**SSK1** (see on page 379)).

Cable **SSK1** (see on page 379) (COM 1/2-interface on the PC to X10 on the Compax3 or via adapter SSK32/20 on programming interface of Compax3H).

Start the Compax3 ServoManager and make the setting for the selected interface in the "**Options Communication settings RS232/RS485...**" menu.

### Device Selection

In the menu tree under device selection you can read the device type of the connected device (Online Device Identification) or select a device type (Device Selection Wizard).



**Configuration** Then you can double click on "Configuration" to start the configuration wizard. The wizard will lead you through all input windows of the configuration.

Input quantities will be described in the following chapters, in the same order in which you are queried about them by the configuration wizard.

#### 4.1.1. Test commissioning of a Compax3 axis

**In the device online help, we show you at this place an animation of a test setup with the aim to move an unloaded motor.**

- ◆ Simple and independent of the Compax3 device variant\*
- ◆ Without overhead for configuration
- ◆ Without special knowledge in programming

\* for device specific functions, please refer to the corresponding device description.

Due to continuous optimization, individual monitor displays may have changed. This does however hardly influence the general proceeding.

#### 4.1.2. Selection of the supply voltage used

Please select the mains voltage for the operation of Compax3. This influences the choice of motors available.

#### 4.1.3. Motor selection

The selection of motors can be broken down into:

- ◆ Motors that were purchased in Europe and
- ◆ Motors that were purchased in the USA.
- ◆ You will find non-standard motors under "Additional motors" and
- ◆ under "User-defined motors" you can select motors set up with the C3 MotorManager.

For motors with holding brake SMHA or MHA brake delay times can be entered. For this see **Brake delay times** (see on page 279).

**Please note the following equivalence that applies regarding terms concerning linear motors:**

- ◆ **Rotary motors / linear motors**
- ◆ **Revolutions  $\equiv$  Pitch**
- ◆ **Rotation speed (velocity)  $\equiv$  Speed**
- ◆ **Torque  $\equiv$  Power**
- ◆ **Moment of inertia  $\equiv$  Load**

**Notes on direct drives (see on page 345) (Linear and Torque - Motors)**

#### 4.1.4. Optimize motor reference point and switching frequency of the motor current

##### Optimization of the motor reference point

The motor reference point is defined by the reference current and the reference (rotational) speed.

Standard settings are:

- ◆ Reference current = nominal current
- ◆ Reference (rotational) speed = nominal (rotational) speed

These settings are suitable for most cases.

The motors can, however, be operated with different reference points for special applications.

- ◆ By reducing the reference (rotational) speed, the reference current can be increased. This results in more torque with a reduced speed.
- ◆ For applications where the reference current is only required cyclically with long enough breaks in between, you may use a reference current higher than  $I_0$ . The limit value is however reference current = max.  $1.33 \cdot I_0$ . The reference velocity must also be reduced.

The peak current is not changed from Release R09-20, it remains fixed to the value taken from the motor library.

With exception of R09-20, the peak current was also adapted with the changing of the reference current.

The possible settings or limits result from the respective motor characteristics.

##### Caution!

Wrong reference values (too high) can cause the motor to switch off during operation (because of too high temperature) or even cause damage to the motor.



##### Optimization of the switching frequency

The switching frequency of the power output stage is preset to optimize the operation of most motors.

It may, however, be useful to increase the switching frequency especially with direct drives in order to reduce the noise of the motors. Please note that the power output stage must be operated with reduced nominal currents in the case of increased switching frequencies.

The switching frequency may only be increased.

##### Caution!

By increasing the motor current switching frequency, the nominal current and the peak current are reduced.

This must already be observed in the planning stage of the plant!



The preset motor current switching frequency depends on the performance variant of the Compax3 device.

The respective Compax3 devices can be set as follows:

#### Resulting nominal and peak currents depending on the switching frequency

##### Compax3S0xxV2 at 1\*230VAC/240VAC

Switching frequency*		S025V2	S063V2
16kHz	$I_{nom}$	2.5A <sub>rms</sub>	6,3A <sub>rms</sub>
	$I_{peak} (<5s)$	5.5A <sub>rms</sub>	12,6A <sub>rms</sub>
32kHz	$I_{nom}$	2.5A <sub>rms</sub>	5.5A <sub>rms</sub>
	$I_{peak} (<5s)$	5.5A <sub>rms</sub>	12,6A <sub>rms</sub>

**Compax3S1xxV2 at 3\*230VAC/240VAC**

Switching frequency*		S100V2	S150V2
8kHz	$I_{nom}$	-	<b>15A<sub>rms</sub></b>
	$I_{peak} (<5s)$	-	<b>30A<sub>rms</sub></b>
16kHz	$I_{nom}$	<b>10A<sub>rms</sub></b>	12.5A <sub>rms</sub>
	$I_{peak} (<5s)$	<b>20A<sub>rms</sub></b>	25A <sub>rms</sub>
32kHz	$I_{nom}$	8A <sub>rms</sub>	10A <sub>rms</sub>
	$I_{peak} (<5s)$	16A <sub>rms</sub>	20A <sub>rms</sub>

**Compax3S0xxV4 at 3\*400VAC**

Switching frequency*		S015V4	S038V4	S075V4	S150V4	S300V4
8kHz	$I_{nom}$	-	-	-	<b>15A<sub>rms</sub></b>	<b>30A<sub>rms</sub></b>
	$I_{peak} (<5s)$	-	-	-	<b>30A<sub>rms</sub></b>	<b>60A<sub>rms</sub></b>
16kHz	$I_{nom}$	<b>1.5A<sub>rms</sub></b>	<b>3.8A<sub>rms</sub></b>	<b>7.5A<sub>rms</sub></b>	10.0A <sub>rms</sub>	26A <sub>rms</sub>
	$I_{peak} (<5s)$	<b>4.5A<sub>rms</sub></b>	<b>9.0A<sub>rms</sub></b>	<b>15.0A<sub>rms</sub></b>	20.0A <sub>rms</sub>	52A <sub>rms</sub>
32kHz	$I_{nom}$	1.5A <sub>rms</sub>	2.5A <sub>rms</sub>	3.7A <sub>rms</sub>	5.0A <sub>rms</sub>	14A <sub>rms</sub>
	$I_{peak} (<5s)$	3.0A <sub>rms</sub>	5.0A <sub>rms</sub>	10.0A <sub>rms</sub>	10.0A <sub>rms</sub>	28A <sub>rms</sub>

**Compax3S0xxV4 at 3\*480VAC**

Switching frequency*		S015V4	S038V4	S075V4	S150V4	S300V4
8kHz	$I_{nom}$	-	-	-	<b>13.9A<sub>rms</sub></b>	<b>30A<sub>rms</sub></b>
	$I_{peak} (<5s)$	-	-	-	<b>30A<sub>rms</sub></b>	<b>60A<sub>rms</sub></b>
16kHz	$I_{nom}$	<b>1.5A<sub>rms</sub></b>	<b>3.8A<sub>rms</sub></b>	<b>6.5A<sub>rms</sub></b>	8.0A <sub>rms</sub>	21.5A <sub>rms</sub>
	$I_{peak} (<5s)$	<b>4.5A<sub>rms</sub></b>	<b>7.5A<sub>rms</sub></b>	<b>15.0A<sub>rms</sub></b>	16.0A <sub>rms</sub>	43A <sub>rms</sub>
32kHz	$I_{nom}$	1.0A <sub>rms</sub>	2.0A <sub>rms</sub>	2.7A <sub>rms</sub>	3.5A <sub>rms</sub>	10A <sub>rms</sub>
	$I_{peak} (<5s)$	2.0A <sub>rms</sub>	4.0A <sub>rms</sub>	8.0A <sub>rms</sub>	7.0A <sub>rms</sub>	20A <sub>rms</sub>

The values marked with grey are the pre-set values (standard values)!

\*corresponds to the frequency of the motor current

**Resulting nominal and peak currents depending on the switching frequency****Compax3HxxxV4 at 3\*400VAC**

Switching frequency*		H050V4	H090V4	H125V4	H155V4
8kHz	$I_{nom}$	50A <sub>rms</sub>	90A <sub>rms</sub>	125A <sub>rms</sub>	155A <sub>rms</sub>
	$I_{peak} (<5s)$	75A <sub>rms</sub>	135A <sub>rms</sub>	187.5A <sub>rms</sub>	232.5A <sub>rms</sub>
16kHz	$I_{nom}$	33A <sub>rms</sub>	75A <sub>rms</sub>	82A <sub>rms</sub>	100A <sub>rms</sub>
	$I_{peak} (<5s)$	49.5A <sub>rms</sub>	112.5A <sub>rms</sub>	123A <sub>rms</sub>	150A <sub>rms</sub>
32kHz	$I_{nom}$	19A <sub>rms</sub>	45A <sub>rms</sub>	49A <sub>rms</sub>	59A <sub>rms</sub>
	$I_{peak} (<5s)$	28.5A <sub>rms</sub>	67.5A <sub>rms</sub>	73.5A <sub>rms</sub>	88.5A <sub>rms</sub>

**Compax3HxxxV4 at 3\*480VAC**

Switching frequency*		H050V4	H090V4	H125V4	H155V4
8kHz	$I_{nom}$	43A <sub>rms</sub>	85A <sub>rms</sub>	110A <sub>rms</sub>	132A <sub>rms</sub>
	$I_{peak} (<5s)$	64.5A <sub>rms</sub>	127.5A <sub>rms</sub>	165A <sub>rms</sub>	198A <sub>rms</sub>
16kHz	$I_{nom}$	27A <sub>rms</sub>	70A <sub>rms</sub>	70A <sub>rms</sub>	84A <sub>rms</sub>
	$I_{peak} (<5s)$	40.5A <sub>rms</sub>	105A <sub>rms</sub>	105A <sub>rms</sub>	126A <sub>rms</sub>
32kHz	$I_{nom}$	16A <sub>rms</sub>	40A <sub>rms</sub>	40A <sub>rms</sub>	48A <sub>rms</sub>
	$I_{peak} (<5s)$	24A <sub>rms</sub>	60A <sub>rms</sub>	60A <sub>rms</sub>	72A <sub>rms</sub>

The values marked with grey are the pre-set values (standard values)!

\*corresponds to the frequency of the motor current

**Resulting nominal and peak currents depending on the switching frequency****Compax3MxxxD6 at 3\*400VAC**

Switching frequency*		M050D6	M100D6	M150D6	M300D6
8kHz	$I_{nom}$	5A <sub>rms</sub>	10A <sub>rms</sub>	15A <sub>rms</sub>	30A <sub>rms</sub>
	$I_{peak} (<5s)$	10A <sub>rms</sub>	20A <sub>rms</sub>	30A <sub>rms</sub>	60A <sub>rms</sub>
16kHz	$I_{nom}$	3.8A <sub>rms</sub>	7.5A <sub>rms</sub>	10A <sub>rms</sub>	20A <sub>rms</sub>
	$I_{peak} (<5s)$	7.5A <sub>rms</sub>	15A <sub>rms</sub>	20A <sub>rms</sub>	40A <sub>rms</sub>
32kHz	$I_{nom}$	2.5A <sub>rms</sub>	3.8A <sub>rms</sub>	5A <sub>rms</sub>	11A <sub>rms</sub>
	$I_{peak} (<5s)$	5A <sub>rms</sub>	7.5A <sub>rms</sub>	10A <sub>rms</sub>	22A <sub>rms</sub>

**Compax3MxxxD6 at 3\*480VAC**

Switching frequency*		M050D6	M100D6	M150D6	M300D6
8kHz	$I_{nom}$	4A <sub>rms</sub>	8A <sub>rms</sub>	12.5A <sub>rms</sub>	25A <sub>rms</sub>
	$I_{peak} (<5s)$	8A <sub>rms</sub>	16A <sub>rms</sub>	25A <sub>rms</sub>	50A <sub>rms</sub>
16kHz	$I_{nom}$	3A <sub>rms</sub>	5.5A <sub>rms</sub>	8A <sub>rms</sub>	15A <sub>rms</sub>
	$I_{peak} (<5s)$	6A <sub>rms</sub>	11A <sub>rms</sub>	16A <sub>rms</sub>	30A <sub>rms</sub>
32kHz	$I_{nom}$	2A <sub>rms</sub>	2.5A <sub>rms</sub>	4A <sub>rms</sub>	8.5A <sub>rms</sub>
	$I_{peak} (<5s)$	4A <sub>rms</sub>	5A <sub>rms</sub>	8A <sub>rms</sub>	17A <sub>rms</sub>

The values marked with grey are the pre-set values (standard values)!

\*corresponds to the frequency of the motor current

### 4.1.5. Ballast resistor

If the regenerative brake output exceeds the **amount of energy that can be stored by the servo controller** (see on page 398), then an error will be generated. To ensure safe operation, it is then necessary to either

- ◆ reduce the accelerations resp. the decelerations,
- ◆ or to use an **external ballast resistor** (see on page 361).

Please select the connected ballast resistor or enter the characteristic values of your ballast resistor directly.

**Please note that with resistance values greater than specified, the power output from the servo drive can no longer be dissipated in the braking resistor.**

### 4.1.6. General drive

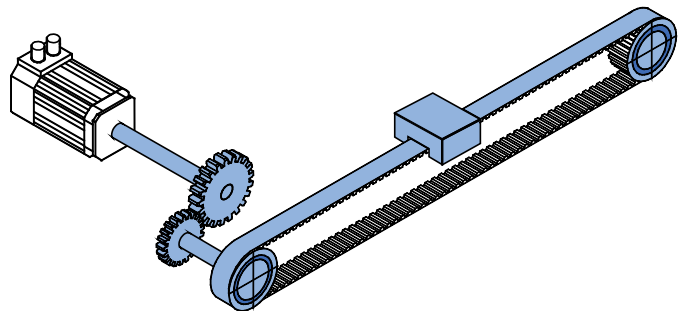
#### External moment of inertia / load

The external moment of inertia is required for adjusting the servo controller. The more accurately the moment of inertia of the system is known, the better is the stability and the shorter is the settle-down time of the control loop.

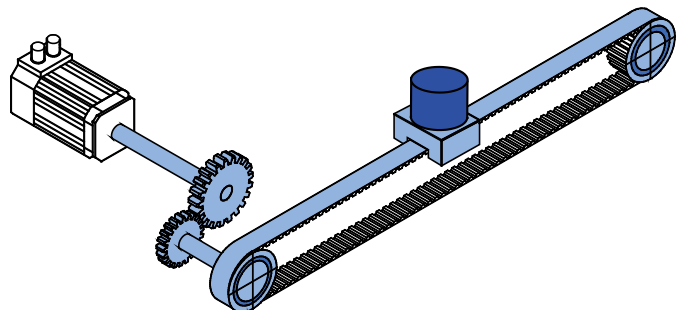
It is important to specify the minimum and maximum moment of inertia for best possible behavior under varying load.

If you do not know the moment of inertia, click on "Unknown: using default values". You have then the possibility to determine the moment of inertia by means of automatic **load identification** (see on page 239).

#### Minimum moment of inertia / minimum load



#### Maximum moment of inertia / maximum load



**Enter minimum = maximum moment of inertia when the load does not vary.**

### 4.1.7. Defining the reference system

The reference system for positioning is defined by:

- ◆ a unit,
- ◆ the travel distance per motor revolution,
- ◆ a machine zero point with true zero,
- ◆ positive and negative end limits.

#### 4.1.7.1 Measure reference

In this chapter you can read about:

You can select from among the following for the unit:

**Unit**

- ◆ mm,
- ◆ increments \*
- ◆ angle degrees or
- ◆ Inch.

The unit of measure is always [mm] for linear motors.

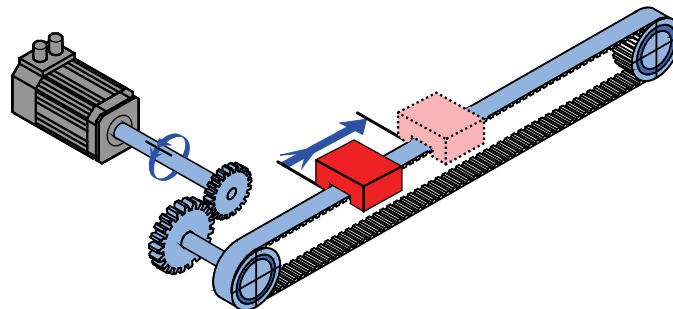
\*

**The unit "increments" is valid only for position values!**

Speed, acceleration and jerk are specified in this case in revolutions/s, revolutions/s<sup>2</sup> and revolutions/s<sup>3</sup> (resp. pitch/s, pitch/s<sup>2</sup>, pitch/s<sup>3</sup> for linear motors).

**Travel distance per motor revolution / pitch**

The measure reference to the motor is created with the value: "travel distance per motor revolution / pitch" in the selected unit.

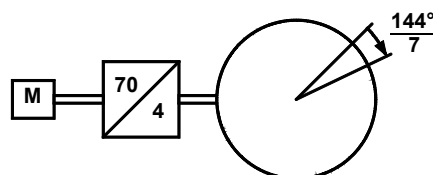


**Input as numerator and denominator**

You can enter the "travel distance per motor revolution" as a fraction (numerator divided by denominator). This is useful in the case of continuous operation mode or in reset mode if the value cannot be specified as a rational number. Long term drifts can be avoided by integer numerators and denominators.

**Example 1:**

**Rotary table control**



Unit: Grade

Gear transmission ratio 70:4 => 4 load revolutions = 70 motor revolutions

Travel distance per motor revolution =  $4/70 * 360^\circ = 20.571\ 428\ 5 \dots^\circ$  (number cannot be represented exactly)

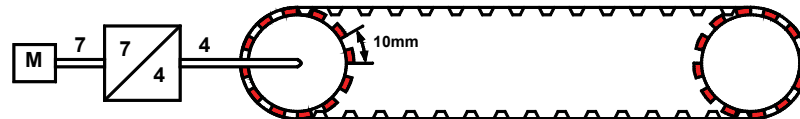
Instead of this number, you have the option of entering it exactly as a numerator and denominator:

Travel distance per motor revolution = 144/7

This will not result in any drift in continuous operation mode or in reset mode, even with relatively long motion in one direction.

**Example 2:**

**Conveyor belt**



Unit: mm

Gear transmission ratio 7:4 => 4 load revolutions = 7 motor revolutions

Number of pinions: 12

Tooth separation: 10mm

Travel path per motor revolution =  $4/7 * 12 * 10\text{mm} = 68.571\ 428\ 5 \dots \text{mm}$  (this number cannot be expressed exactly)

Instead of this number, you have the option of entering it exactly as a numerator and denominator:

Travel distance per motor revolution = 480/7 mm

For "travel distance per motor revolution" that can be represented exactly, enter 1 as the denominator.

**Travel distance per motor revolution /-pitch**

**Numerator**

Unit: Unit	Range: depends on the unit selected	Standard value: depends on the unit selected
Resolution: 0.000 000 1 (7 decimal places)		
Unit	Division	Standard value
Increments*	10 ... 1 000 000	1024
mm	0.010 000 0 ... 2000.000 000 0	1.000 000 0
Grade	0.010 000 0 ... 720.000 000 0	360.000 000 0
Inch	0.010 000 .. 2000.000 000	1.000 000

**Denominator**

Unit: -	Range: 1 ... 1 000 000	Standard value: 1
Integer value		

\*

**The unit "increments" is valid only for position values!**

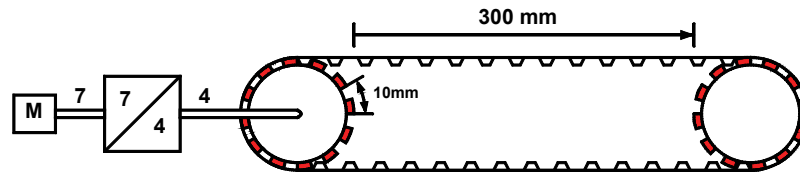
Speed, acceleration and jerk are specified in this case in revolutions/s, revolutions/s<sup>2</sup> and revolutions/s<sup>3</sup> (resp. pitch/s, pitch/s<sup>2</sup>, pitch/s<sup>3</sup> for linear motors).

**Invert Motor Rotation/Direction Polarity**

Unit: -	Range: no / yes	Standard value: no
Reverse direction inverts the sense of rotation, i.e. the direction of movement of the motor is reversed in the case of equal setpoint.		

**Reset mode** Reset mode is available for applications in which the positioning range repeats; some examples are: Rotary table applications, belt conveyor. ...  
 After the reset travel distance (exactly specifiable as **numerator and denominator** (see on page 110)) the position values in Compax3 are reset to 0.

**Example:** Conveyor belt (from the "Conveyor belt" example) with reset path



A reset path of 300 mm can be entered directly with numerator = 300 mm and denominator = 1.  
 Reset mode is not possible for linear motors.

**Reset distance**

**Numerator**

Unit: Unit	Range: depends on the unit selected	Standard value: depends on the unit selected
<b>Unit</b>	<b>Division</b>	<b>Standard value</b>
Increments	10 ... 1 000 000	0
mm	1 ... 2000	0
Grade	1 ... 720	0

**Denominator**

Unit: -	Range: 1 ... 1 000 000	Standard value: 0
Integer value		

**Turn off reset mode**

Reset mode is turned off for numerator = 0 and denominator = 0.



### 4.1.7.2 Machine Zero

**In this chapter you can read about:**

Positioning after homing run ..... 113  
 Absolute encoder..... 114  
 Operation with MultiTurn emulation ..... 115  
 Machine zero modes overview..... 116  
 Homing modes with home switch (on X12/14) ..... 118  
 Machine zero modes without home switch..... 124  
 Adjusting the machine zero proximity switch..... 128  
 Machine zero speed and acceleration..... 129

The Compax3 machine zero modes are adapted to the CANopen profile for Motion Control CiADS402.

**Position reference point**

Essentially, you can select between operation with or without machine reference. The reference point for positioning is determined by using the machine reference and the machine reference offset.

**Machine reference run**

In a homing run the drive **normally** (see on page 113) moves to the position value 0 immediately after finding the home switch. The position value 0 is defined via the homing offset.

A machine reference run is required each time after turning on the system for operation with machine reference.



**Please note:**

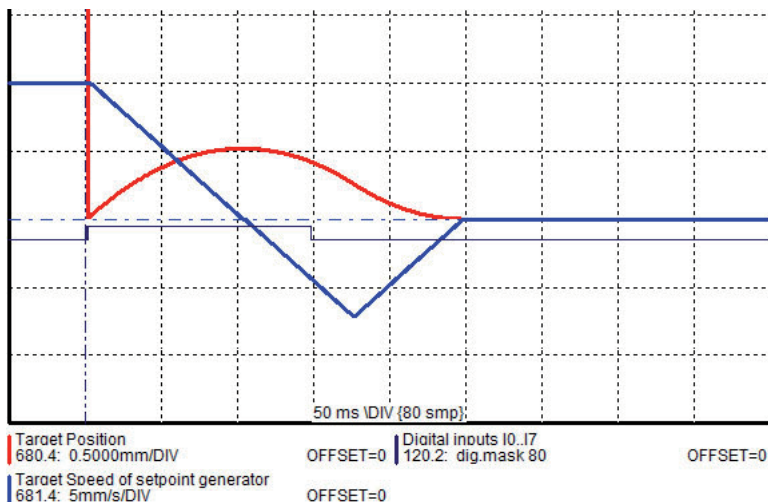
**During homing run the software end limits are not monitored.**

**Positioning after homing run**

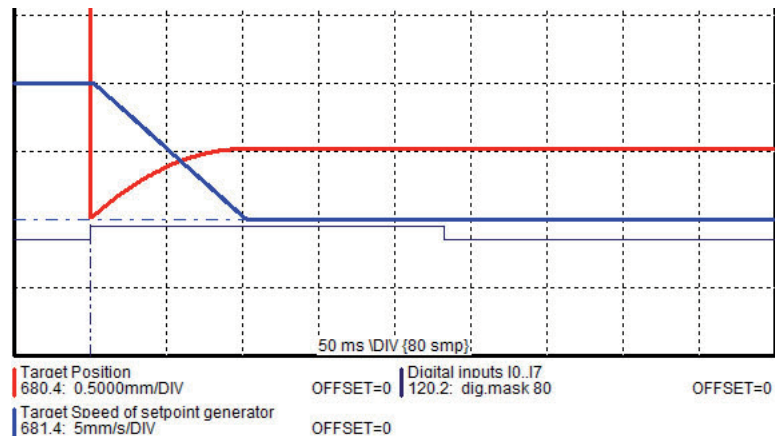
The positioning made after the home switch has been found can be switched off. For this enter in the “machine zero” window in the configuration wizard “no” under “approach MN point after MN run”.

**Example Homing (MN) mode 20 (Home on homing (MN) switch) with T40 by homing offset 0**

**With positioning after homing run The motor stands then on 0:**



**Without positioning after homing run The position reached is not exactly on 0, as the drive brakes when detecting the home and stops:**



If the homing mode is active, there will always be a homing run with the first start after each configuration download (with the aid of the C3 ServoManager) **Homing run** (see on page 142).

### Absolute encoder

Using a SinCos® or EnDat Multiturn absolute value sensor as feedback system, the absolute position can be read in over the entire travel range when switching on the Compax3. This means that a machine zero run is not necessary after the switching on (feedback may not be shifted by the absolute range while switched off).

In this case the reference only needs to be established once

- ◆ at initial commissioning time
- ◆ after an exchange of motor / feedback system
- ◆ after a mechanical modification and
- ◆ after an exchange of device (Compax3); does not apply for the "Store absolute position in feedback" function.
- ◆ after a configuration download

by carrying out a machine zero run.

The homing mode 35 "**MN at the current position**" (see on page 124)" is appropriate for this, because it is therewith possible to operate without proximity switch, but any other homing mode is possible too - if the hardware prerequisites are fulfilled.

When you have once re-established the reference, reset the machine zero run mode to "without machine zero run".

### Operation with MultiTurn emulation

You can simulate the function of a Multiturn over the entire travel distance by the aid of a Multiturn emulation. A resolver or a SinCos® / EnDat Singleturn feedback is sufficient as a feedback signal from the motor.

It differs from the physical Multiturn in the way that the motor may not be moved by more than half a turn if Compax3 (24VDC) is switched off - unless the absolute position is lost.

Besides that, the Multiturn emulation offers the same function as the physical Multiturn feedback.

You can switch on the Multiturn emulation directly in the wizard.

You can assign the maximum permissible motor angle via the Multiturn validity window

If Compax3 states after switching on that this value is not exceeded, then das "Referenziert" gesetzt (Zustandswort Bit 12 oder Ausgang M.A8) is applied.

Compax3 restores nevertheless the absolute position, the motor angle is correct, the absolute position may however not be correct, if the motor was moved by more than the validity window while currentless.

**Attention:** In this case, the drive is considered "not referenced" and the software end limit monitoring is inactive!

**Machine reference run** For a unique machine zero run the same conditions apply as for the use of an absolute encoder (Multiturn).

## Machine zero modes overview

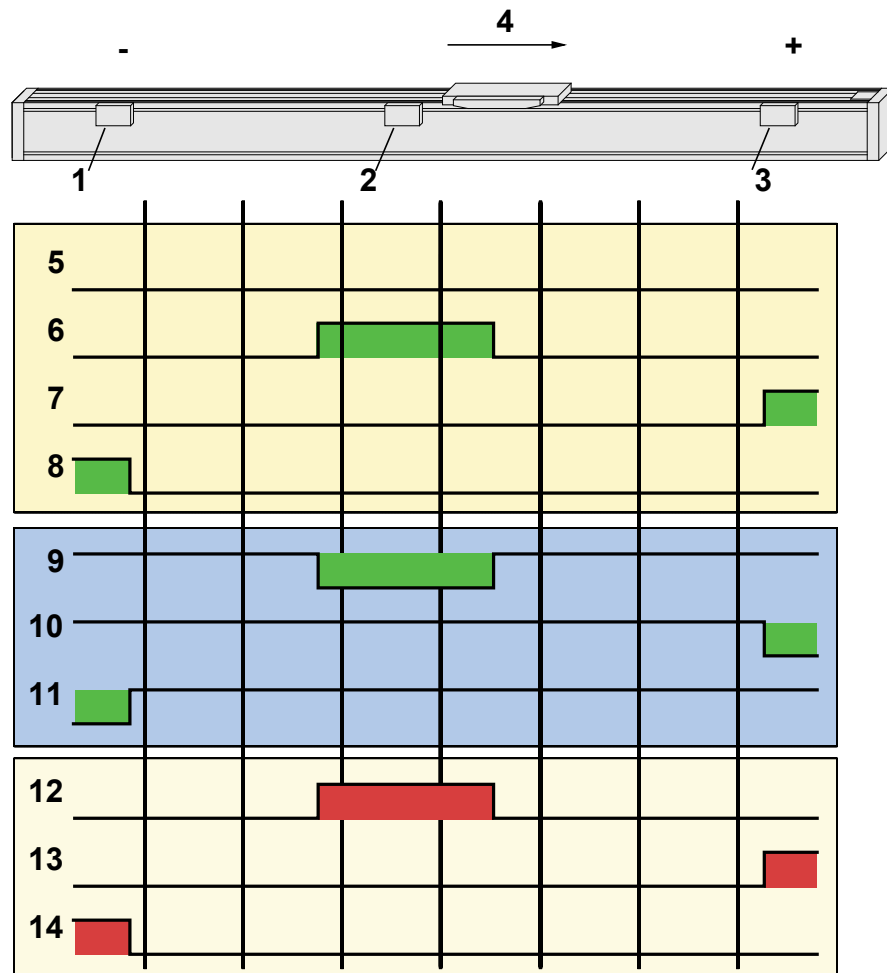
### Selection of the machine zero modes (MN-M)

<b>Machine home switch on X12/14: MN-M 3 ... 14, 19 ... 30</b>	Without motor reference point MN-M 19 ...30	without direction reversal switches: <b>MN-M 19, 20</b> (see on page 118), <b>MN-M 21, 22</b> (see on page 119) with reversal switches: <b>MN-M 23, 24, 25, 26</b> (see on page 120), <b>MN-M 27, 28, 29, 30</b> (see on page 120)
	With motor reference point MN-M 3 ... 14 (possibly an <b>initiator adjustment</b> (see on page 128) is required)	without direction reversal switches: <b>MN-M 3, 4</b> (see on page 121), <b>MN-M 5, 6</b> (see on page 121) with reversal switches: <b>MN-M 7, 8, 9, 10</b> (see on page 122), <b>MN-M 11,12,13, 14</b> (see on page 123)
<b>Without machine zero initiator on X12/14: MN-M 1, 2, 17, 18, 33 .. 35, 128, 129, 130 ... 133</b>	Without motor reference point MN-M 17, 18, 35, 128, 129	<b>MN-M 35: on the actual position</b> (see on page 124) <b>MN-M 128, 129: by moving to block</b> (see on page 124)
		With limit switch as machine zero: <b>MN-M 17, 18</b> (see on page 125)
		Only motor reference: <b>MN-M 33, 34</b> (see on page 126), <b>MN-M 130, 131</b> (see on page 126)
		With limit switch as machine zero: <b>MN-M 1, 2</b> (see on page 127), <b>MN-M 132, 133</b> (see on page 128)

### Definition of terms / explanations:

Motor zero point	Zero pulse of the feedback Motor feedback systems such as resolvers or SinCos® / EnDat give one pulse per revolution. Some motor feedback systems of direct drives do also have a zero pulse, which is generated once or in defined intervals. By interpreting the motor zero point (generally in connection with the machine zero initiator) the machine zero can be defined more exactly.
Machine zero initiator:	For creating the mechanical reference Has a defined position within or on the edge of the travel range.
Direction reversal switches:	Initiators on the edge of the travel range, which are used only with a machine zero run in order to detect the end of the travel range. In some cases, the function "direction reversal via Stromschwelle" is also possible, then you will need no initiator, Compax3 detects the end of the travel range via the threshold. Please observe the respective notes. During operation, the direction reversal switches are often used as limit switches.

### Example axis with the initiator signals



- 1: Direction reversal / end switch on the negative end of the travel range (the **assignment of the reversal / end switch inputs** (see on page 133) to travel range side can be changed).
- 2: Machine zero initiator (can, in this example, be released to 2 sides)
- 3: Direction reversal / end switch on the positive end of the travel range (the **assignment of the reversal / end switch inputs** (see on page 133) to travel range side can be changed).
- 4: Positive direction of movement
- 5: Signals of the motor zero point (zero pulse of the motor feedback)
- 6: Signal of the machine zero initiator (**without inversion of the initiator logic** (see on page 133)).
- 7: Signal of the direction reversal resp. end switch on the positive end of the travel range (without inversion of the initiator logic).
- 8: Signal of the direction reversal / resp. end switch on the negative end of the travel range (without inversion of the initiator logic).
- 9: Signal of the machine zero initiator (**with inversion of the initiator logic** (see on page 133)).
- 10: Signal of the direction reversal resp. end switch on the positive end of the travel range (with inversion of the initiator logic).
- 11: Signal of the direction reversal / end switch on the negative end of the travel range (with inversion of the initiator logic).
- 12: Logic state of the home switch (independent of the inversion)
- 13: Logic state of the direction reversal resp. end switch on the positive end of the travel range (independent of the inversion)
- 14: Logic state of the direction reversal resp. end switch on the negative end of the travel range (independent of the inversion)

The following principle images of the individual machine zero modes always refer to the logic state (12, 13, 14) of the switches.

**Homing modes with home switch (on X12/14)**

In this chapter you can read about:

Without motor reference point..... 118  
 With motor reference point..... 121

**Without motor reference point**

In this chapter you can read about:

Without direction reversal switches..... 118  
 With direction reversal switches..... 119

**Without direction reversal switches**

**MN-M 19,20: MN-Initiator = 1 on the positive side**

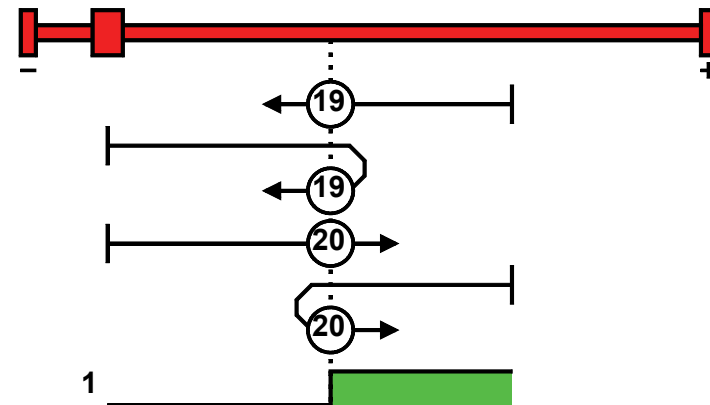
The MN initiator can be positioned at any location within the travel range. The travel range is then divided into 2 contiguous ranges: one range with deactivated MN initiator (left of the MN initiator) and one range with activated MN initiator (right of the MN initiator).

When the MN initiator is inactive (signal = 0) the search for the machine reference is in the positive travel direction.

**Without motor zero point, without direction reversal switches**

**MN-M 19:** The negative edge of the MN proximity switch is taken directly as MN (the motor zero point remains without consideration).

**MN-M 20:** The positive edge of the MN proximity switch is used directly as MN (the motor zero point remains without consideration).



1: logic state

**MN-M 21,22: MN Initiator = 1 on the negative side**

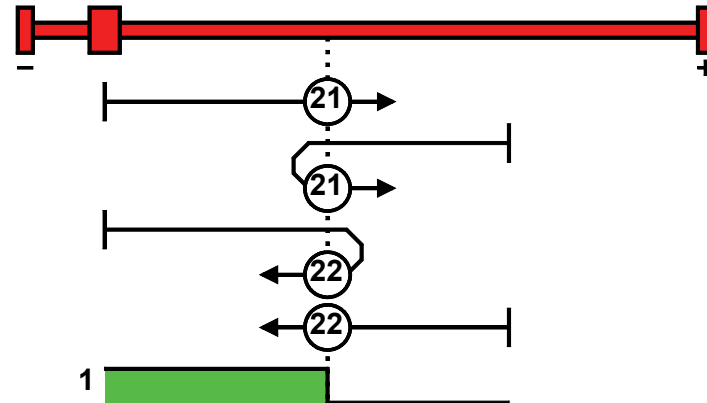
The MN initiator can be positioned at any location within the travel range. The travel range is then divided into 2 contiguous ranges: one range with deactivated MN initiator (positive part of the travel range) and one range with activated MN initiator (negative part of the travel range).

When the MN initiator is inactive (signal = 0) the search for the machine reference is in the negative travel direction.

**Without motor zero point, without direction reversal switches**

**MN-M 21:** The negative edge of the MN proximity switch is taken directly as MN (the motor zero point remains without consideration).

**MN-M 22:** The positive edge of the MN proximity switch is used directly as MN (the motor zero point remains without consideration).



1: logic state

**With direction reversal switches**

Machine zero modes with a home switch which is activated in the middle of the travel range and can be deactivated to both sides.

The **assignment of the direction reversal switches** (see on page 133) can be changed.

**Function Reversal via Stromschwelle**

If no direction reversal switches are available, the reversal of direction can also be performed during the machine zero run via the function “direction reversal via Stromschwelle”.

The drive drives against the mechanical end stop.

When the adjustable Stromschwelle is reached, the drive is decelerated and changes the direction of movement.

**Caution!**

Wrong settings can cause hazard for man and machine.

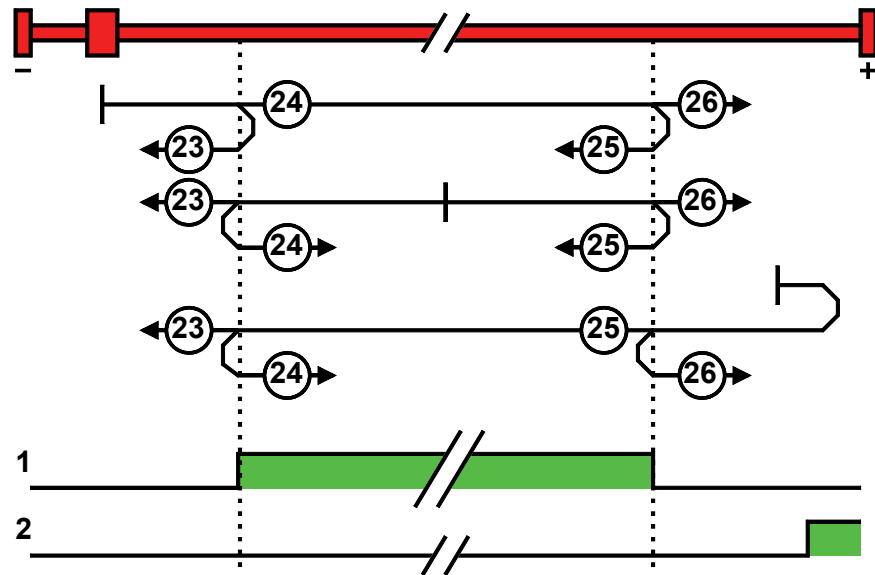
It is therefore essential to respect the following:

- ◆ Choose a low machine zero speed.
- ◆ Set the machine zero acceleration to a high value, so that the drive changes direction quickly, the value must, however, not be so high that the limit threshold is already reached by accelerating or decelerating (without mechanical limitation).
- ◆ The mechanical limitation as well as the load drain must be set so that they can absorb the resulting kinetic energy.
- ◆ With a bad feedback signal or high controller gain (fast controller or high inertia or mass) the machine zero might not be detected.

In this case it is necessary to use the control signal filter (O2100.20) or the velocity filter (O2100.10).

**MN-M 23...26: Direction reversal switches on the positive side**

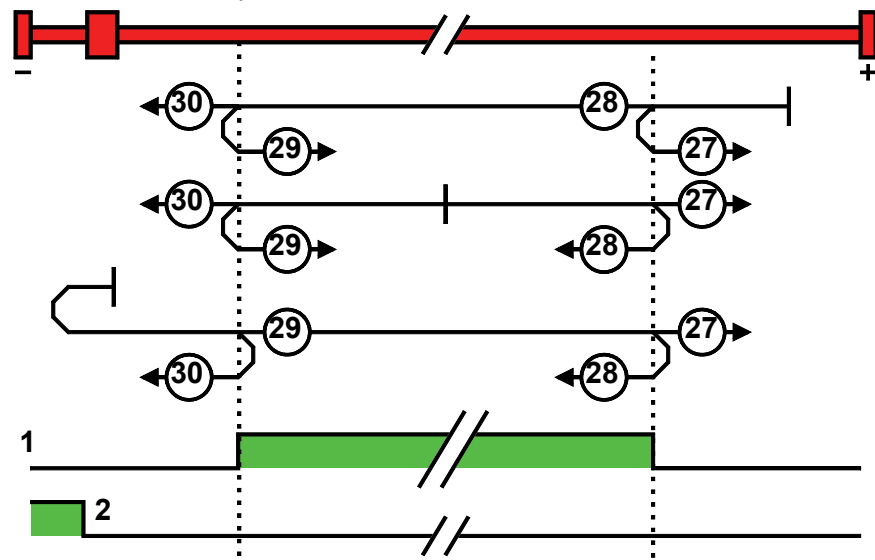
Without motor zero point, with direction reversal switches



- 1: Logic state of the home switch
- 2: Logic state of the direction reversal switch

**MN-M 27...30: Direction reversal switches on the negative side**

Without motor zero point, with direction reversal switches



- 1: Logic state of the home switch
- 2: Logic state of the direction reversal switch



**With motor reference point**

**In this chapter you can read about:**

Without direction reversal switches ..... 121  
 With direction reversal switches ..... 122

**Without direction reversal switches**

**MN-M 3,4: MN-Initiator = 1 on the positive side**

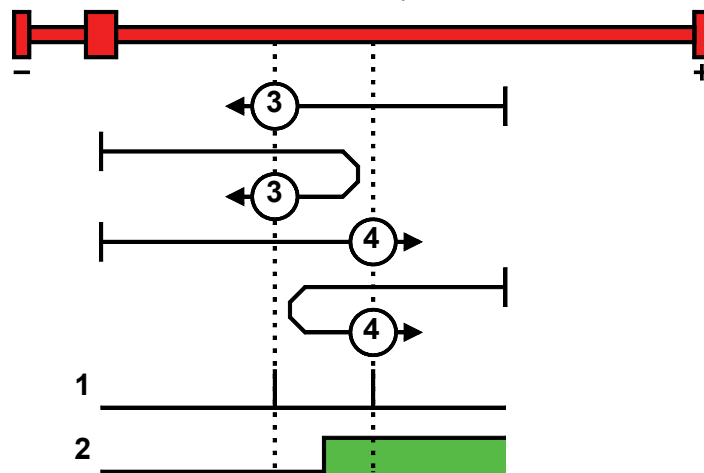
The MN initiator can be positioned at any location within the travel range. The travel range is then divided into 2 contiguous ranges: one range with deactivated MN initiator (left of the MN initiator) and one range with activated MN initiator (right of the MN initiator).

When the MN initiator is inactive (signal = 0) the search for the machine reference is in the positive travel direction.

**With motor zero point, without direction reversal switches**

**MN-M 3:** The 1st motor zero point at MN initiator = "0" is used as MN.

**MN-M 4:** The 1st motor reference point with MN initiator = "1" is used as the MN.



- 1: Motor zero point
- 2: Logic state of the home switch

**MN-M 5,6: MN-Initiator = 1 on the negative side**

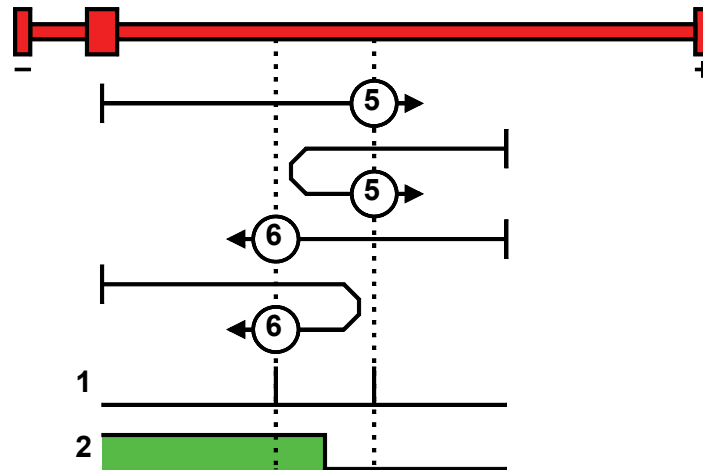
The MN initiator can be positioned at any location within the travel range. The travel range is then divided into 2 contiguous ranges: one range with deactivated MN initiator (positive part of the travel range) and one range with activated MN initiator (negative part of the travel range).

When the MN initiator is inactive (signal = 0) the search for the machine reference is in the negative travel direction.

**With motor zero point, without direction reversal switches**

**MN-M 5:** The 1st. motor zero point with MN proximity switch = "0" is used as MN.

**MN-M 6:** The 1st motor reference point with MN initiator = "1" is used as the MN.



1: Motor zero point

2: Logic state of the home switch

### With direction reversal switches

Machine zero modes with a home switch which is activated in the middle of the travel range and can be deactivated to both sides.

The **assignment of the direction reversal switches** (see on page 133) can be changed.

### Function Reversal via Stromschwelle

If no direction reversal switches are available, the reversal of direction can also be performed during the machine zero run via the function "direction reversal via Stromschwelle".

The drive drives against the mechanical end stop.

When the adjustable Stromschwelle is reached, the drive is decelerated and changes the direction of movement.



#### Caution!

Wrong settings can cause hazard for man and machine.

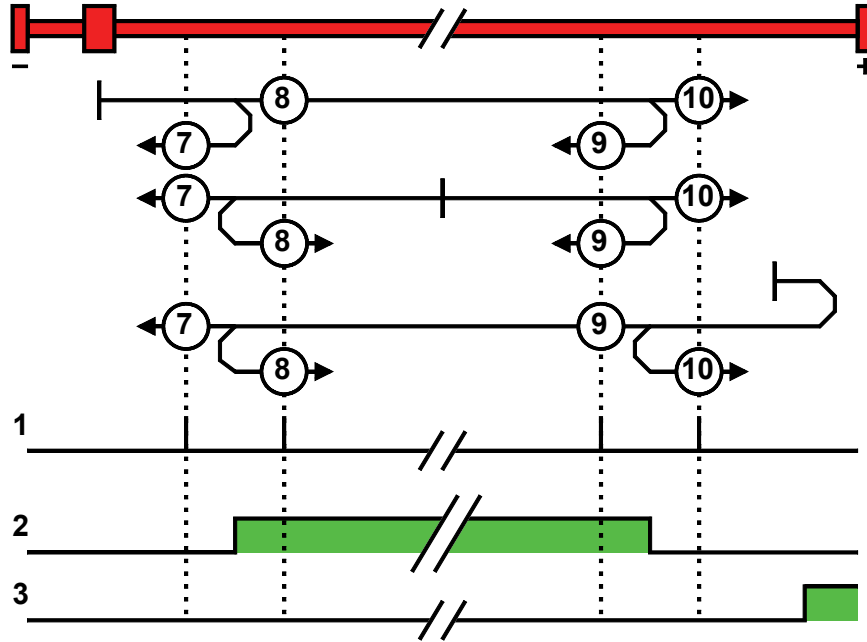
It is therefore essential to respect the following:

- ◆ Choose a low machine zero speed.
- ◆ Set the machine zero acceleration to a high value, so that the drive changes direction quickly, the value must, however, not be so high that the limit threshold is already reached by accelerating or decelerating (without mechanical limitation).
- ◆ The mechanical limitation as well as the load drain must be set so that they can absorb the resulting kinetic energy.
- ◆ With a bad feedback signal or high controller gain (fast controller or high inertia or mass) the machine zero might not be detected.  
In this case it is necessary to use the control signal filter (O2100.20) or the velocity filter (O2100.10).

**With motor zero point, with direction reversal switches**

**MN-M 7...10: Direction reversal switches on the positive side**

Machine zero modes with a home switch which is activated in the middle of the travel range and can be deactivated to both sides.

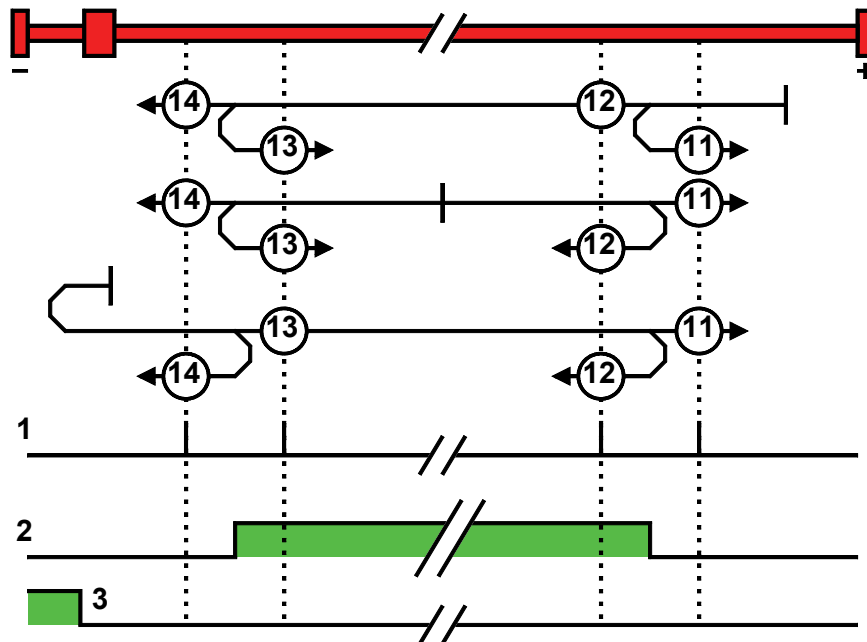


- 1: Motor zero point
- 2: Logic state of the home switch
- 3: Logic state of the direction reversal switch

**With motor zero point, with direction reversal switches**

**MN-M 11...14: With direction reversal switches on the negative side**

Machine zero modes with a home switch which is activated in the middle of the travel range and can be deactivated to both sides.



- 1: Motor zero point
- 2: Logic state of the home switch
- 3: Logic state of the direction reversal switch

### Machine zero modes without home switch

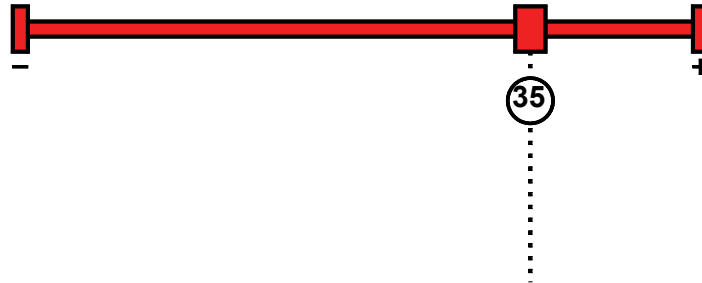
**In this chapter you can read about:**

Without motor reference point..... 124  
 With motor reference point..... 126

**Without motor reference point**

**MN-M 35: MN (machine zero) at the current position**

The current position when the MN run is activated is used as an MN.



**Please note:** Due to encoder noise it is possible that a value  $\neq 0$  is set when teaching to 0. If end limits = 0, an end limit error may occur during homing run.

**MN-M 128/129: Stromschwelle while moving to block**

Without a MN (machine zero) initiator, an end of travel region (block) is used as MN (machine zero).

For this the Stromschwelle is evaluated if the drive pushes against the end of the travel region. When the adjusted current is exceeded, the Homing is set. During the homing run (MN), the error reaction "following error" is deactivated.

**Please observe:**


The machine zero offset must be set so that the zero point (reference point) for positioning lies within the travel range.

**MN-M 128:** Travel in the positive direction to the end of the travel region



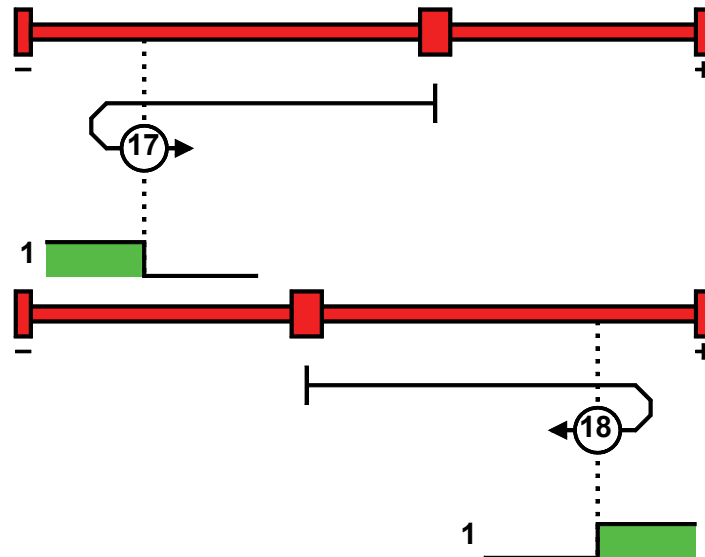
**MN-M 129:** Travel in the negative direction to the end of the travel region



	<p><b>Caution!</b>                  Wrong settings can cause hazard for man and machine.</p>
---	--

It is therefore essential to respect the following:

- ◆ Choose a low machine zero speed.
- ◆ Set the machine zero acceleration to a high value, so that the drive changes direction quickly, the value must, however, not be so high that the limit threshold is already reached by accelerating or decelerating (without mechanical limitation).
- ◆ The mechanical limitation as well as the load drain must be set so that they can absorb the resulting kinetic energy.
- ◆ With a bad feedback signal or high controller gain (fast controller or high inertia or mass) the machine zero might not be detected.  
 In this case it is necessary to use the control signal filter (O2100.20) or the velocity filter (O2100.10).

**MN-M 17,18: Limit switch as machine zero**

1: Logic state of the direction reversal switch

**Function Reversal via Stromschwelle**

If no direction reversal switches are available, the reversal of direction can also be performed during the machine zero run via the function “direction reversal via Stromschwelle”.

The drive drives against the mechanical end stop.

When the adjustable Stromschwelle is reached, the drive is decelerated and changes the direction of movement.

**Caution!**

Wrong settings can cause hazard for man and machine.

It is therefore essential to respect the following:

- ◆ Choose a low machine zero speed.
- ◆ Set the machine zero acceleration to a high value, so that the drive changes direction quickly, the value must, however, not be so high that the limit threshold is already reached by accelerating or decelerating (without mechanical limitation).
- ◆ The mechanical limitation as well as the load drain must be set so that they can absorb the resulting kinetic energy.
- ◆ With a bad feedback signal or high controller gain (fast controller or high inertia or mass) the machine zero might not be detected.

In this case it is necessary to use the control signal filter (O2100.20) or the velocity filter (O2100.10).

**With motor reference point**

**In this chapter you can read about:**

Machine zero only from motor reference..... 126  
 With direction reversal switches..... 127

**Machine zero only from motor reference**

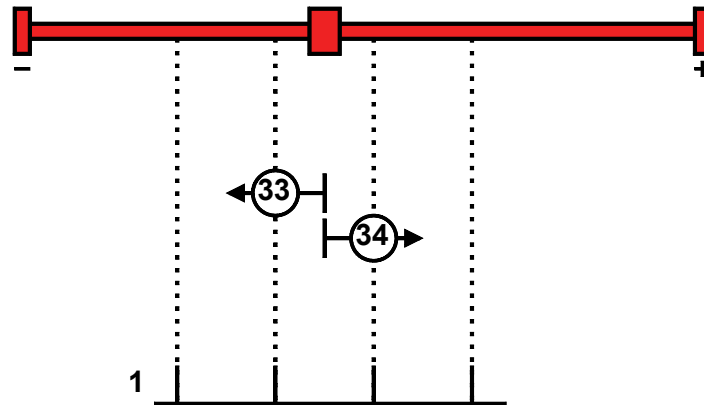
**MN-M 33,34: MN at motor zero point**

The motor reference point is now evaluated (no MN initiator):

**Without home switch**

**MN-M 33:** For a MN run, starting from the current position, the next motor zero point in the negative travel direction is taken as the MN.

**MN-M 34:** For a MN run, starting from the current position, the next motor zero point in the positive travel direction is taken as the MN.



1: Motor zero point

**MN-M 130, 131: Acquire absolute position via distance coding**

Only for motor feedback with distance coding (the absolute position can be determined via the distance value).

Compax3 determines the absolute position from the distance of two signals and then stops the movement (does not automatically move to position 0).



1: Signals of the distance coding

**With direction reversal switches**

Machine zero modes with a home switch which is activated in the middle of the travel range and can be deactivated to both sides.


The **assignment of the direction reversal switches** (see on page 133) can be changed.

**Function Reversal via Stromschwelle**

If no direction reversal switches are available, the reversal of direction can also be performed during the machine zero run via the function “direction reversal via Stromschwelle”.

The drive drives against the mechanical end stop.

When the adjustable Stromschwelle is reached, the drive is decelerated and changes the direction of movement.

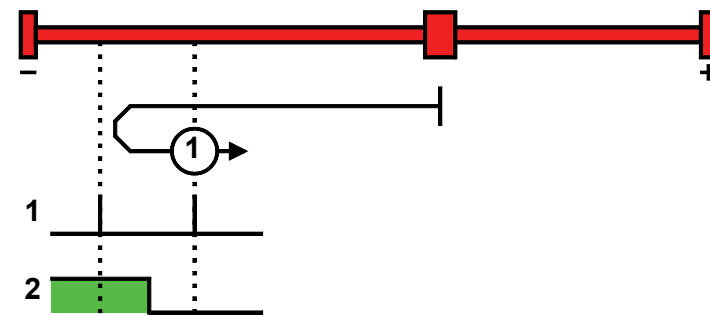
	<p><b>Caution!</b> Wrong settings can cause hazard for man and machine.</p>
---	---

It is therefore essential to respect the following:

- ◆ Choose a low machine zero speed.
- ◆ Set the machine zero acceleration to a high value, so that the drive changes direction quickly, the value must, however, not be so high that the limit threshold is already reached by accelerating or decelerating (without mechanical limitation).
- ◆ The mechanical limitation as well as the load drain must be set so that they can absorb the resulting kinetic energy.
- ◆ With a bad feedback signal or high controller gain (fast controller or high inertia or mass) the machine zero might not be detected.  
In this case it is necessary to use the control signal filter (O2100.20) or the velocity filter (O2100.10).

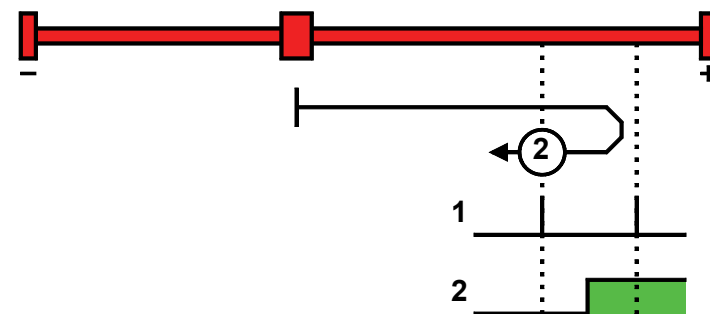
**MN-M 1,2: Limit switch as machine zero**

**End switch on the negative side**



- 1: Motor zero point
- 2: Logic state of the direction reversal switch

**End switch on the positive side:**

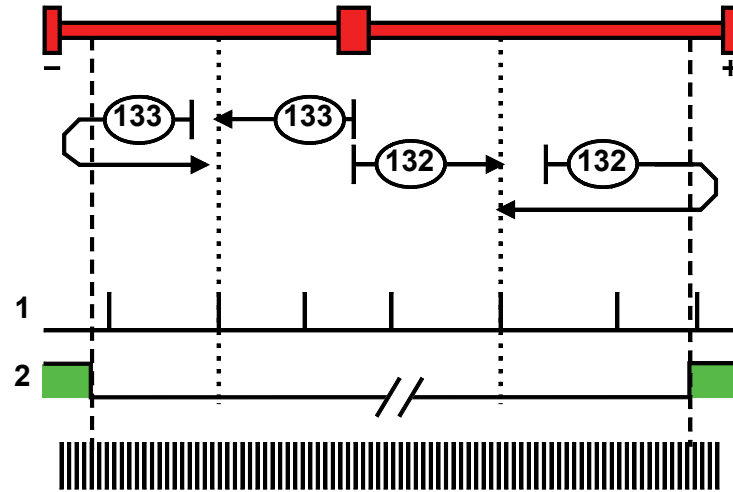


- 1: Motor zero point
- 2: Logic state of the direction reversal switch

**MN-M 132, 133: Determine absolute position via distance coding with direction reversal switches**

Only for motor feedback with distance coding (the absolute position can be determined via the distance value).

Compax3 determines the absolute position from the distance of two signals and then stops the movement (does not automatically move to position 0).



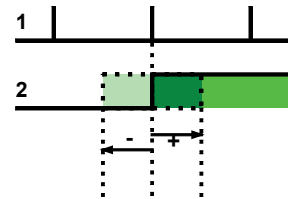
- 1: Signals of the distance coding
- 2: Logic state of the direction reversal switches

**Adjusting the machine zero proximity switch**

This is helpful in some cases with homing modes that work with the home switch and motor reference point.

If the motor reference point happens to coincide with the position of the MN initiator, there is a possibility that small movements in the motor position will cause the machine reference point to shift by one motor revolution (to the next motor reference point).

Via status value "Distance MN sensor - motor zero", (O1130.13) you can check if the distance between machine home sensor and motor zero point is too short.



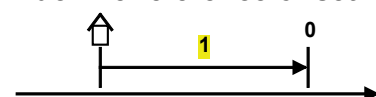
- 1: Motor zero point
- 2: Logic state of the home switch

A solution to this problem is to move the MN initiator by means of software. This is done using the value initiator adjustment.

**Initiator adjustment**

Unit: Motor angle in degrees	Range: -180 ... 180	Standard value: 0
Move the machine reference initiator using software As an aid you can use the status value "distance MN sensor - motor zero" in the "Positions" chapter under "status values"		

**Machine reference offset**



- 1: Machine reference offset



The machine reference offset is used to determine the actual reference point for positioning.

That is: Zero point = Machine zero + Machine zero offset

Note: If the machine zero proximity switch is at the positive end of the travel range, the machine zero offset must be = 0 or negative.

**A change in the machine reference offset does not take effect until the next machine reference run.**

### **Machine zero speed and acceleration**

With these values you can define the motion profile of the machine zero run.

### 4.1.7.3 Travel Limit Settings

#### Software end limits

The error reaction when reaching the software end limits can be set:

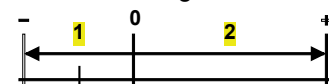
Possible settings for the error reaction are:

- ◆ No response
- ◆ Downramp / stop
- ◆ Downramp / stromlos schalten (standard settings)

If "no reaction" was set, no software limits must be entered.

#### Software end limits:

The travel range is defined via the negative and positive end limits.



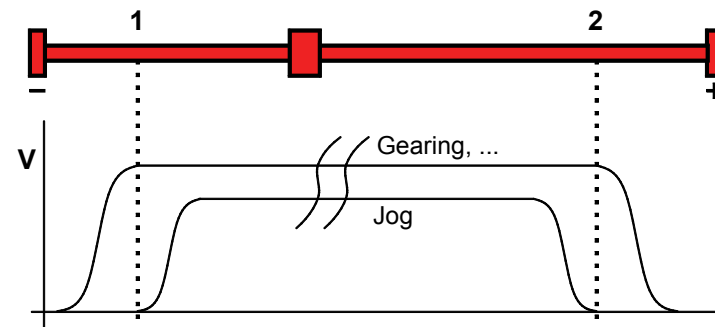
1: negative end limit

2: positive end limit

#### Software end limit in absolute operating mode

The positioning is restricted to the range between the travel limits.

A positioning order aiming at a target outside the travel range is not executed.



1: negative end limit

2: positive end limit

The reference is the position reference point that was defined with the machine reference and the machine reference offset.

#### Software end limits in reset mode

The reset mode does not support software end limits

#### Software end limit in continuous mode

Each individual positioning is confined within the travel limits.

A positioning order aiming at a target outside the software end limits is not executed.

The reference is the respective current position.

**Error when disregarding the software end limits**

A software end limit error is triggered, if the position value exceeds an end limit. For this, the position setpoint value is evaluated in energized state; in currentless state, the actual position value is evaluated.

**Hysteresis in disabled state:**

If the axis stands currentless at an end limit, another error may be reported due to position jitter after acknowledging the end limit error. To avoid this, a hysteresis surrounding the end limits was integrated (size corresponds to the size of the positioning window).  
Only if the distance between axis and the end limits was larger than the positioning window, another end limit error will be detected

**Error codes** (see on page 338) of the end limit errors:

- 0x7323 Error when disregarding the positive software end limit.
- 0x7324 Error when disregarding the negative software end limit.

**Activating / deactivating the end limit error:**

In the C3 ServoManager under configuration: End limits, the error can be (de)activated.  
For IEC-programmable devices with the "C3\_ErrorMask" module.

**Behavior after the system is turned on**

The end limits are not active after switching on. The end limits do not refer to the position reference point until after a machine reference run.  
During homing run the end limits are not monitored.  
With a Multiturn encoder or with active Multiturn emulation, the limit is valid immediately after switching on.

**Behavior outside the travel range**

**1. If the software end limit errors are deactivated, all movements are possible.**

**2. If the software end limit errors are activated:**

After disregarding the software end limits, an error is triggered. First of all, this error must be acknowledged.  
Then a direction block is activated: only motion commands in the direction of the travel range are executed. These will not trigger another error.  
Motion commands inciting a movement in the opposite direction of the travel range are blocked and will trigger another error.



- 1: negative end limit
- 2: positive end limit

**Notes on special feedback systems (Feedback F12)**

During automatic commutation, the end limit monitoring is deactivated!

### Behavior with software end limits of a referenced axis

	Position within target outside	Position outside target outside and aiming in the opposite direction of the travel range	Position outside target within and aiming in the direction of the travel range
JOG +/-	<ul style="list-style-type: none"> <li>◆ Positioning up to the end limits</li> <li>◆ No Error</li> </ul>	<ul style="list-style-type: none"> <li>◆ No positioning</li> <li>◆ No Error</li> </ul>	<ul style="list-style-type: none"> <li>◆ Positioning</li> </ul>
MoveAbs, MoveRel, RegSearch, RegMove	<ul style="list-style-type: none"> <li>◆ No positioning</li> <li>◆ Error</li> </ul>	<ul style="list-style-type: none"> <li>◆ No positioning</li> <li>◆ Error</li> </ul>	<ul style="list-style-type: none"> <li>◆ Positioning</li> </ul>
Gearing	<ul style="list-style-type: none"> <li>◆ Positioning up to the end limits</li> <li>◆ Error</li> </ul>	<ul style="list-style-type: none"> <li>◆ No positioning</li> <li>◆ Error</li> </ul>	<ul style="list-style-type: none"> <li>◆ No positioning</li> <li>◆ Error</li> </ul>
Velocity	<ul style="list-style-type: none"> <li>◆ Positioning up to the end limits</li> <li>◆ Error</li> </ul>	<ul style="list-style-type: none"> <li>◆ No positioning</li> <li>◆ Error</li> </ul>	<ul style="list-style-type: none"> <li>◆ Positioning</li> </ul>

### Hardware end limits

The error reaction when reaching the hardware end limits can be set:

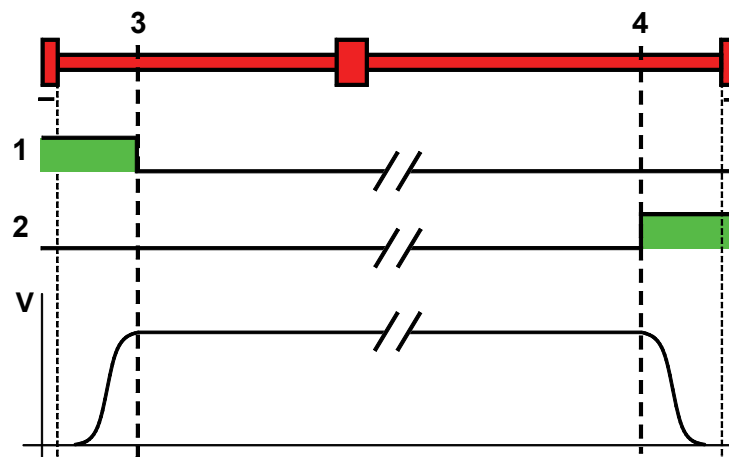
Possible settings for the error reaction are:

- ◆ No response
- ◆ Downramp / stop
- ◆ Downramp / stromlos schalten (standard settings)

Hardware end limits are realized with the aid of end switches.

These are connected to X12/12 (input 5) and X12/13 (input 6) and can be (de)activated separately in the C3 ServoManager under Configuration: End limits. After a limit switch has been detected, the drive decelerates with the ramp values set for errors (error code 0x54A0 at X12/12 active, 0x54A1 at X12/13 active) and the motor is switched to currentless.

Please make sure that after the detection of the end switch there is enough travel path left up to the limit stop.



- 1: Limit switch E5 (X12/12)
- 2: Limit switch E6 (X12/13)
- 3: Limit switch position E5 (X12/12)
- 4: Limit switch position E6 (X12/13)

The **assignment of the end switches** (see on page 133) can be changed!

**Please note:** The limit switches must be positioned so that they cannot be released towards the side to be limited.

**Limit switch /  
direction reversal  
switch**

Limit switches functioning as direction reversal switches during homing run, will not trigger a limit switch error.

**Behavior in the case  
of an active limit  
switch**

The error can be acknowledged with activated limit switch.

The drive can then be moved out of the end switch range with a normal positioning.

The direction of the movement is verified in the event of fixed I/O assignment.

Only the direction towards the travel range is allowed.

**Debouncing: Limit switch, machine zero and input 0**

A majority gate is used for debouncing.

The signal is sampled every 0.5ms

The debounce time determines the number of scans the majority gate will perform.

If the level of more than half of the signals was changed, the internal status will change.

The debounce time can be set in the configuration wizard within the range of 0 ... 20ms.

The value 0 deactivates the debouncing.

If the debouncing time is stated, the input I0 can be debounced as well (checkbox below).

**4.1.7.4 Change assignment direction reversal / limit switches**

If this function is not activated, the direction reversal / end switches are assigned as follows:

Direction reversal / limit switch on I5 (X12/12): negative side of the travel range

Direction reversal / limit switch on I6 (X12/13): positive side of the travel range

**Change assignment  
of direction reversal  
/ limit switch is  
activated**

If this function is activated, the direction reversal / limit switches are assigned as follows:

Direction reversal / limit switch on **I5** (X12/12): **positive side** of the travel range

Direction reversal / limit switch on **I6** (X12/13): **negative side** of the travel range

**4.1.7.5 Change initiator logic**

The initiator logic of the limit switches (this does also apply for the direction reversal switches) and the machine zero initiator can be changed separately.

- ◆ Limit switch E5 low active
- ◆ Limit switch E6 low active
- ◆ Home switch E7 low active

In the basic settings the inversion is deactivated, so that the signals are "high active".

With this setting the inputs I5 to I7 can even be switched within their logic, if they are not used as direction reversal/limit switches or machine zero.

## 4.1.8. Defining jerk / ramps

### In this chapter you can read about:

Speed for positioning and velocity control.....	134
Acceleration for positioning and velocity control.....	134
Acceleration / deceleration for positioning.....	134
Jerk limit for positioning .....	134
Ramp upon error and de-energize .....	135
Jerk for STOP, MANUAL and error .....	136

### 4.1.8.1 Speed for positioning and velocity control

Standard speed for all positionings and motion functions.

The value can be changed during operation via the bus or via the motion sets.

This setting is not relevant for the "rotation speed" operating mode.

### 4.1.8.2 Acceleration for positioning and velocity control

Standard acceleration for all positionings and motion functions.

The value can be changed during operation via the bus or via the motion sets.

### 4.1.8.3 Acceleration / deceleration for positioning

Standard deceleration for all positionings and motion functions.

The value can be changed during operation via the bus or via the motion sets.

If "0" is entered, the acceleration value is accepted as deceleration.

### 4.1.8.4 Jerk limit for positioning

Standard jerk for all positionings and motion functions.

The value can be changed during operation via the bus or via the motion sets.

In the operating modes:

- ◆ Speed control
- ◆ Velocity and
- ◆ Gearing

the jerk is not limited.

### Description of jerk

#### Jerk

**The jerk (marked with "4" in the drawing below) describes the change in acceleration (derivation of the acceleration)**

The maximum change in acceleration is limited via the jerk limitation.

A motion process generally starts from a standstill, accelerates constantly at the specified acceleration to then move at the selected speed to the target position.

The drive is brought to a stop before the target position with the delay that has been set in such a manner as to come to a complete stop at the target position. To reach the set acceleration and deceleration, the drive must change the acceleration (from 0 to the set value or from the set value to 0).

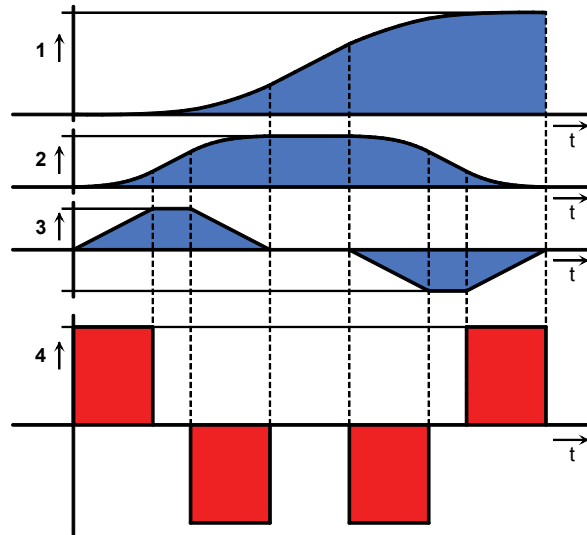
This change in speed is limited by the maximum jerk.

**Without jerk  
according to  
VDI2143**

According to VDI2143 the jerk is defined (other than here) as the jump in acceleration (infinite value of the jerk function).

This means that positionings with Compax3 are without jerk according to VDI2143, as the value of the jerk function is limited.

**Motion sequence**



- 1: Position
- 2: Speed
- 3: Acceleration
- 4: Jerk

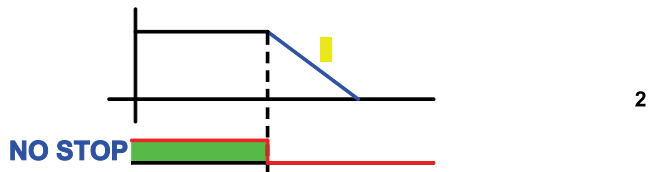
High changes in acceleration (high jerks) often have negative effects on the mechanical systems involved. There is a danger that mechanical resonance points will be excited or that impacts will be caused by existing mechanical slack points. You can reduce these problems to a minimum by specifying the maximum jerk.

**Jerk**

Unit: Unit/s <sup>3</sup>	Range: 0 ... 10 000 000	Standard value: 1 000 000
---------------------------	-------------------------	---------------------------

**STOP delay**

After a STOP signal, the drive applies the brakes with the delay that is set (2).



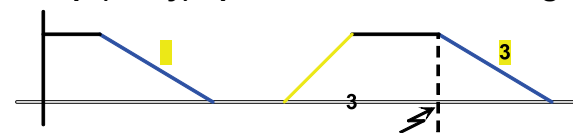
**Please observe:**

The configured STOP ramp is limited. The STOP ramp will not be smaller than the deceleration set in the last motion set.

NO STOP: control.3 = "0" (Quick Stop: Transition 11 of the **State machine** (see on page 313))

**4.1.8.5 Ramp upon error and de-energize**

**Ramp (delay) upon error and "De-energize"**



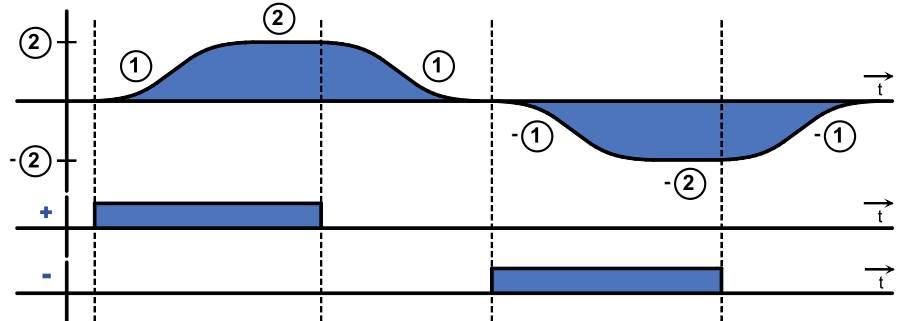
3: Deceleration on error (status.3 = "1"), Disable Voltage (control.1 = "0" transition 9 of the status machine) and Enable Operation (CW.3 = "0" transition 5 of the status machine).

**Please observe:**

The configured error ramp is limited. The error ramp will not be smaller than the deceleration set in the last motion set.

**Manual acceleration/deceleration and speed control**

You can set the motion profile for moving with JOG+ or JOG- here.



1: Manual acceleration / Deceleration

2: Manual speed control

+: Manual+ (control.4 ="1")

-: Manual- (control.5 ="1")

Only in "Manual operating mode" (CANopen-No.CAN No. 0x6060 (object 1100.5) = -1)

**4.1.8.6 Jerk for STOP, MANUAL and error**

The jerk set here applies for:

- ◆ the STOP ramp
- ◆ Manual motion
- ◆ The ramp for the machine reference run

**Description of jerk** (see on page 134)

**Jerk**

Unit: Unit/s <sup>3</sup>	Range: 0 ... 10 000 000	Standard value: 1 000 000
---------------------------	-------------------------	------------------------------

**4.1.9. Limit and monitoring settings**

In this chapter you can read about:

Current (Torque) Limit ..... 136  
 Positioning window - Position reached ..... 137  
 Following error limit ..... 138  
 Maximum operating speed ..... 138

**4.1.9.1 Current (Torque) Limit**

The current required by the speed controller is limited to the current limit.



#### 4.1.9.2 Positioning window - Position reached

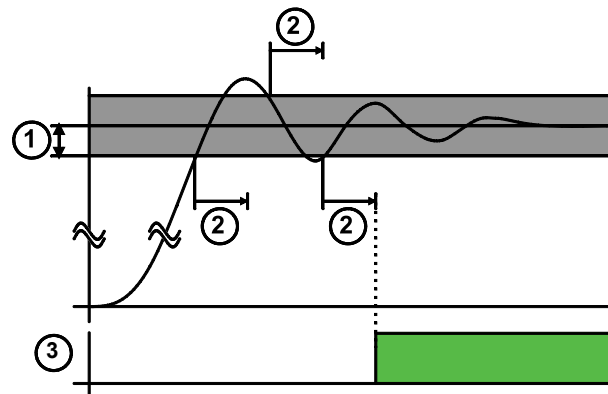
Position reached indicates that the target position is located within the position window.

In addition to the position window, a position window time is supported. If the actual position goes inside the position window, the position window time is started. If the actual position is still inside the position window after the position window time, "Position reached" is set.

If the actual position leaves the position window within the position window time, the position window time is started again.

When the actual position leaves the position window with Position reached = "1", Position reached is immediately reset to "0".

Position monitoring is active even if the position leaves the position window because of measures taken externally.



1: Position Window

2: In Position Window Time

3: Setpoint position reached (state / status word 1 Bit 10 = "1" and O1 (X12/3)

#### Linkage to the setpoint value

The signal "position reached" can be linked to the setpoint value.

In addition, the internal setpoint value generation is evaluated.

It applies: **The positioning window is only evaluated with a constant internal setpoint value.**

#### Position reached Gearity

Signal "position reached" monitors synchronicity.

#### RegSearch / RegMove

Signal §position reached" is set if

- ◆ RegSearch was terminated without a reg being found
- or
- ◆ Reg was found and RegMove executed.

#### Velocity

Signal "position reached" turns into "velocity reached".

#### STOP

Signal "position reached" shows that the drive is at a standstill.

### 4.1.9.3 Following error limit

The error reaction upon a following error can be set:

Possible settings for the error reaction are:

- ◆ No response
- ◆ Downramp / stop
- ◆ Downramp / stromlos schalten (standard settings)

The following error is a dynamic error.

The dynamic difference between the setpoint position and the actual position during a positioning is called the following error. Do not confuse this with the static difference which is always 0; the target position is always reached exactly.

The change of position over time can be specified exactly using the parameters jerk, acceleration and speed. The integrated Setpoint value generator calculates the course of the target position. Because of the delay in the feedback loop, the actual position does not follow the target position exactly. This difference is referred to as the following error.

#### Disadvantages caused by a following error

When working with a number of servo drives (for example Master controller and slave controller), following errors lead to problems due to the dynamic position differences, and a large following error can lead to positioning overshoot.

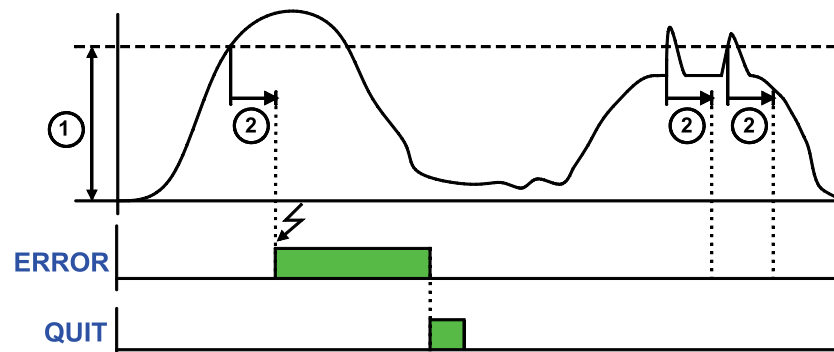
#### Error message

If the following error exceeds the specified following error limit, the "following error time" then expires. If the following error is even greater than the following error limit at the end of the following error time, an error is reported.

If the following error falls short of the following error limit, a new following error time is then started.

#### Minimizing the following error

The following error can be minimized with the help of the extended (advanced) control parameters, in particular with the feed forward parameters.



1: Following error limit

2: Following Error Time

**ERROR:** Malfunction (state - / status word 1 Bit 3) and O0 (X12/2)

**ACKN:** Control word 1 Bit 7 or I0 (X12/6)

### 4.1.9.4 Maximum operating speed

The speed limitation is deduced from the maximum operating speed. In order to ensure control margins, the speed is limited to a higher value.

The speed setpoint value is actively limited to 1.1 times the given value.

If the speed actual value exceeds the preset maximum speed by 21% (= "switching off limit speed"), error 0x7310 is triggered.

## 4.1.10. Encoder simulation

You can make use of a permanently integrated encoder simulation feature to make the actual position value available to additional servo drives or other automation components.

- Caution!**
- ◆ The encoder simulation (A/B) is not possible at the same time as the encoder input, der SSI-Schnittstelle resp. the step/direction input.  
The same interface is used here.
  - ◆ A direction reversal configured in the C3 ServoManager does not affect the encoder simulation.  
The direction of rotation of the encoder simulation can, however, be changed via the feedback direction in the MotorManager.

### Simulated Encoder Output Resolution

Unit: Increments per revolution / pitch	Range: 4 - 16384	Standard value: 1024
Any resolution can be set <b>Limit frequency: 620kHz</b> (track A or B) i.e. , with:		
Increments per revolution	max. Velocity	
1024	36000 rpm	
4096	9000 rpm	
16384	2250 rpm	

#### 4.1.10.1 Encoder bypass with Feedback module F12 (for direct drives)

If the feedback module F12 is used, the encoder signals can be placed directly (Bypass) to the encoder interface (X11: same assignment as encoder simulation) for further use. Sine/Cosine signals are directly converted into encoder signals, however no additional zero pulse is generated; an available zero pulse will be transmitted.

The advantage is, that the limit frequency\*\* is 5MHz instead of 620kHz (track A or B).

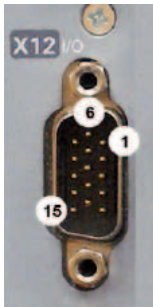
The direction of rotation is only defined via the encoder wiring; a direction inversion configured in the C3 ServoManager does not have any consequence.

\*\* Limit frequency = 1MHz for Compax3M (higher bandwidths on request)

## 4.1.11. I/O Assignment

- ◆ For intra-device inputs I0 .. I3 as well as the outputs O0 ... O3 you can choose between fixed or free assignment (see below).
- ◆ Control via CANopen does not require an M option (M10 / M12).
- ◆ If an M option is available, 12 inputs/outputs (ports) are freely assignable. These can be configured as inputs or outputs by groups of four and be activated resp. read via Object 121.2 and Object 133.3.
- ◆ The signal inputs I4 ... I7 are fixedly assigned  
If the respective functions are not needed, these inputs can also be used for control.  
I5 and I6 can, for example, be used as free inputs if the limit switch function is deactivated.

### Assignment of the intra-device inputs and outputs



Pin X12	Input/output	High density/Sub D	
1	O	+24 V DC output (max. 400mA)	
2	O0	No Error	<b>Only for "fixed assignment"</b>  Functions are available, if "Fixed assignment" was selected for the I/O assignment in the configuration wizard
3	O1	Position / speed / gear synchronization attained (max. 100 mA)	
4	O2	Power stage without current (max.) 100 mA)	
5	O3	Axis energized with a setpoint of 0 (max. 100 mA)	
6	I0="1":	Quit (positive edge) / Axis enable	
	I0="0"	Axis disable with delay	
7	I1	no Stop	
8	I2	JOG +	
9	I3	JOG -	
10	I4	Reg input	
11	I	24V input for the digital outputs Pins 2 to 5	
12	I5	Limit switch 1	
13	I6	Limit switch 2	
14	I7	Machine zero initiator	
15	O	GND24V	

All inputs and outputs have 24V level.

Maximum capacitive loading of the outputs: 30nF (max. 2 Compax3 inputs can be connected)

Input-/Output extension

#### Optimization window display

The display of the digital inputs in the optimization window of the C3 ServoManager does not correspond to the physical status (24Volt=on, 0Volt=off) but to the logic status: if the function of an input or output is inverted (e.g. limit switch, negatively switching), the corresponding display (LED symbol in the optimization window) is OFF with 24Volts at the input and ON with 0 Volts at the input.

For intra-device inputs I0 .. I3 as well as the outputs O0 ... O3 you can choose between fixed or free assignment.

With fixed assignment of the intra-device inputs I0 ... I3, the respective functions can either be triggered via the inputs or via CANopen  
It applies:

**With "guiding via interface" (control word 1 bit 11 = "0")**

- ◆ Enable Voltage: I0 ="1" **UND** Control word 1 Bit 1 ="1"
- ◆ Ackn is triggered via control word 1 bit 7 - ackn via I0 is not possible.
- ◆ Stop is active, if I1 = "0"
- ◆ Manual+ and Manual- Inputs I2, I3 do not have a function.

**With " No guiding via interface" (control word 1 bit 11 = "1")**

Control word is not effective:

- ◆ Energize motor / ackn: I0 ="1"
- ◆ Stop is active, if I1 = "0"
- ◆ Manual+ and Manual- via Inputs I2, I3.

**Status word**

- ◆ The status word is always updated
- ◆ O0 corresponds to status word 1 Bit 3
- ◆ O1 corresponds to status word 1 bit 10
- ◆ O3 corresponds to the status "operation enable"

## 4.1.12. Position mode in reset operation

**In this chapter you can read about:**

Examples in the help file..... 141

In reset operation (activated by the configured reset distance), additional positioning functions are possible for absolute positionings (can be set under configuration in the "Positioning options / positioning profiles" window only in bus mode "Positioning" or "Profile selection"):

All directions	Standard positioning mode
Positive direction	Positioning only in positive direction
Shortest path	Positioning on the shortest path
Negative direction	Positioning only in negative direction
Actual direction	Positioning by keeping the actual direction of travel

**Dynamic positioning**

In dynamic positioning, a decision concerning the positioning travel is not taken on the basis of the actual position, but on the basis of the braking position resulting from the motion parameters.

**Please observe:**

- ◆ **In the event of positioning specifications below zero and higher than or equal to the reset distance, this function is deactivated.**  
The positioning target must for instance be in the range between 0..359.999999° for a reset distance of 360°.
- ◆ The positioning functions are neither effective in test movements nor in an automatic positioning after homing travel (if this was not deactivated in the configuration).
- ◆ In the event of "shortest path", the motion is not defined for a positioning by a travel of half the reset distance.

### 4.1.12.1 Examples in the help file

In the help file you can find examples for the functioning of the individual positioning modes.

### 4.1.13. Reg-related positioning / defining ignore zone

These settings are only required in connection with the function “**reg-related positioning** (see on page 146)“.

Within the reg window a reg signal will be ignored.

The reg window is defined by

- ◆ Beginning of the ignore zone and
- ◆ End of the ignore zone

Beginning and end of the ignore zone are absolute values and therefore are also valid with negative position values.

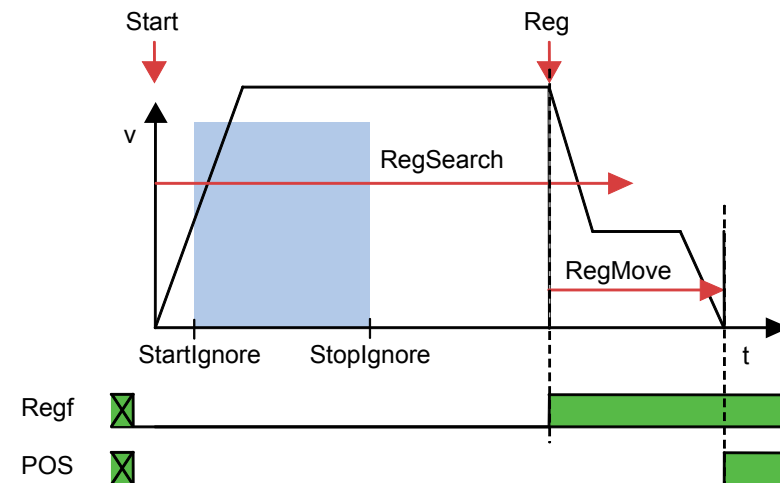
This reg window is valid for all reg position sets.

#### **Allow higher deceleration for RegMove**

If the deceleration set in the RegMove motion set is too low, the target position is not reached. **Compax3 reports error** (see on page 149).

By allowing for a higher deceleration, Compax3 sets the jerk and the deceleration so that the target is reached without direction reversal.

#### **Function:**



<b>Start</b>	Start signal for reg positioning
<b>RegSearch:</b>	Positioning for reg search
<b>RegMove:</b>	Positioning according to reg
<b>Startignore:</b>	Reg window: Beginning of the ignore zone
<b>Stopignore:</b>	Reg window: End of the ignore zone
<b>Reg:</b>	Reg signal (I4 on X12/10)
<b>Regf</b>	Signal: Reg detected (Statusword 1 Bit 15)
<b>POS:</b>	Signal: Position reached (Ausgang A1: X12/3 oder Zustandswort 1 Bit 9)

## 4.1.14. Write into set table

The motion sets are stored in a set table.

The table rows define always one motion set, in the columns the respective motion parameters of a motion set are stored.

	Motion parameters				
Machine reference run					
Set 1					
Set 2					
...					
Set 31					

**Exact description** (see on page 302).

31 motion sets are possible.

The motion set to be executed is selected via Statuswort 2.

For the motion sets different motion functions with different motion parameters are available:

- ◆ **Empty:** empty motion set
- ◆ **MoveAbs (see on page 145):** absolute positioning
- ◆ **MoveRel (see on page 145):** relative Positioning
- ◆ **Gearing (see on page 150):** electronic gearbox
- ◆ **RegSearch (see on page 146):** Registration mark-related positioning (uses 2 motion sets: RegSearch and RegMove)
- ◆ **Velocity (see on page 151):** Velocity control
- ◆ **Stop:** Stop movement

For each motion set you can define programmable status bits (PSBs), which will then be put out after the termination of the motion set.

**Homing run** A start signal at address = 0 (motion set 0) triggers a machine zero run.

### 4.1.14.1 Programmable status bits (PSBs)

The successful execution of a motion set can be queried via the PSBs.

PSBs: Bit 12, 13 and 14 of status word 2.

**Definition of the pattern:****The settings for the PSBs are made in the respective motion set**

You can set 3 assignments for the respective bits:

X: no change	Output / Bit is not influenced
0: Inactive	Output / Bit is set to 0
1: Active	Output / Bit is set to 1 resp. 24VDC

Storage of the **PSBs** (see on page 302).



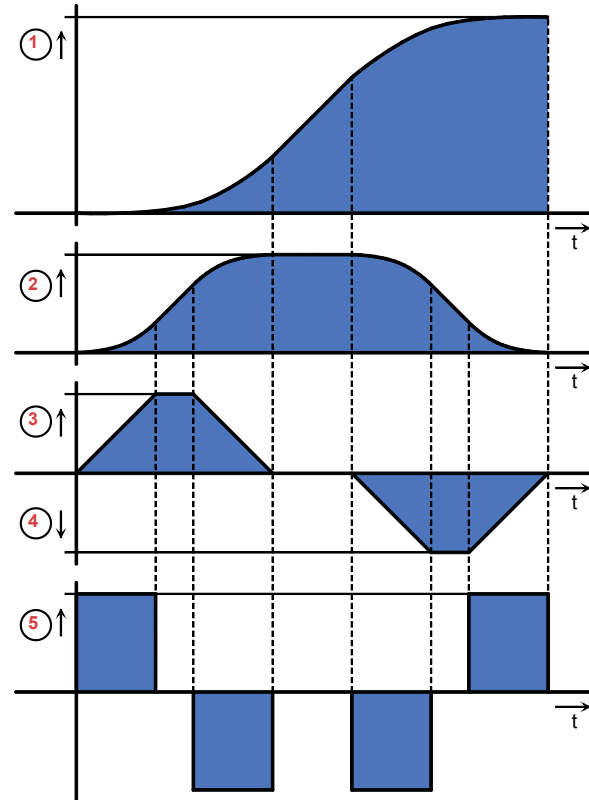
## 4.1.15. Motion functions

In this chapter you can read about:

MoveAbs and MoveRel.....	145
Reg-related positioning (RegSearch, RegMove).....	146
Electronic gearbox (Gearing).....	150
Speed specification (Velocity).....	151
Stop command (Stop).....	151

### 4.1.15.1 MoveAbs and MoveRel

A motion set defines a complete motion with all settable parameters.



- 1: Target position
- 2: Travel speed
- 3: Maximum Acceleration
- 4: Maximum deceleration
- 5: Maximum **Jerk** (see on page 134)

**Motion functions**    **MoveAbs:** Absolute positioning.  
                                  **MoveRel:** Relative positioning.

**Target position / distance**    Target position of the chosen unit of measure.  
    Distance with MoveRel

**Speed**    Speed in length unit/s

**Acceleration**    Acceleration in unit/s<sup>2</sup>

**Deceleration**    Deceleration in unit/s<sup>2</sup>

**Jerk** Jerk in unit/s<sup>3</sup>

You can optimize the motion profile data with the "**ProfilViewer**" (see on page 278) software tool!

#### 4.1.15.2 Reg-related positioning (RegSearch, RegMove)

For registration mark-related positioning, 2 motions are defined.

**RegSearch** Search movements: Relative Positioning in order to search for an external signal - of a reg  
This may, for example, be a reg on a product.

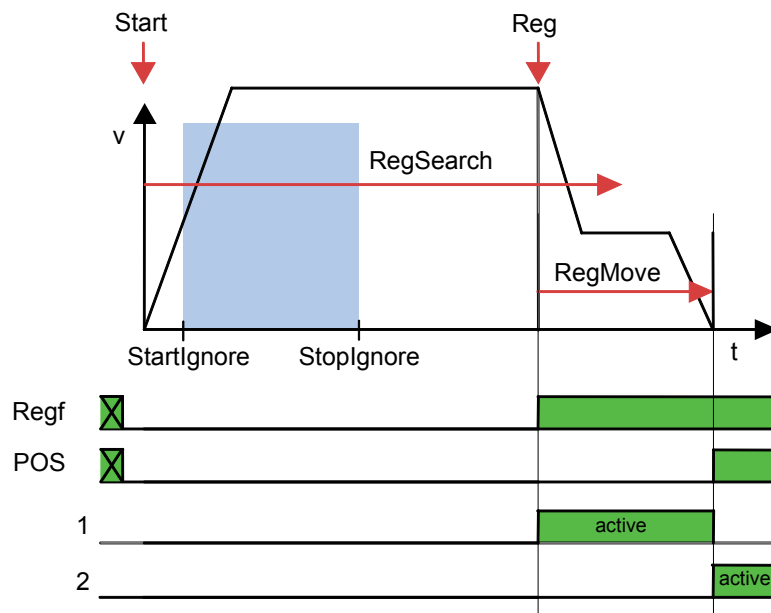
**RegMove** The external signal interrupts the search movement and the second movement by the predefined offset follows without transition. The drive comes to a standstill at the position of the mark signal + the configured offset.

**Accuracy of the reg detection : <1µs**

Please note:

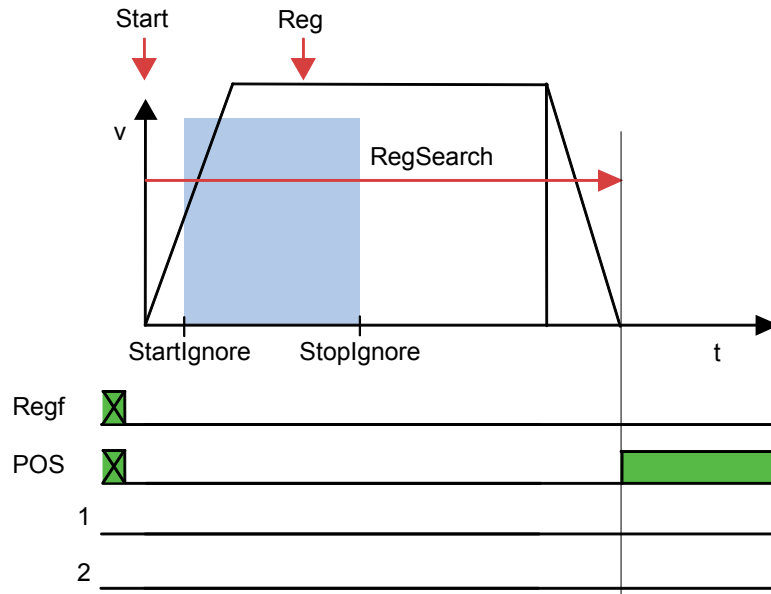
**The reg restriction window is the same for all reg motion sets!**

#### Example 1: Reg comes after the reg restriction window



- Start** Start signal for reg positioning (Control word 1 Bit 4)
- RegSearch:** Positioning for reg search
- RegMove:** Positioning according to reg
- StartIgnore:** **Reg ignore window:** (see on page 142) Beginning of the ignore zone
- StopIgnore:** Reg ignore window: End of the ignore zone
- Reg:** Reg signal (I4 on X12/10)
- Regf:** Signal: Reg detected (Statusword 1 Bit 15)
- POS:** Signal: Position reached (Ausgang A1: X12/3 oder Zustandswort 1 Bit 9)
- 1** Programmable status bits of RegSearch (only for positioning with set selection)
- 2** Programmable status bits of RegMove (only for positioning with set selection)

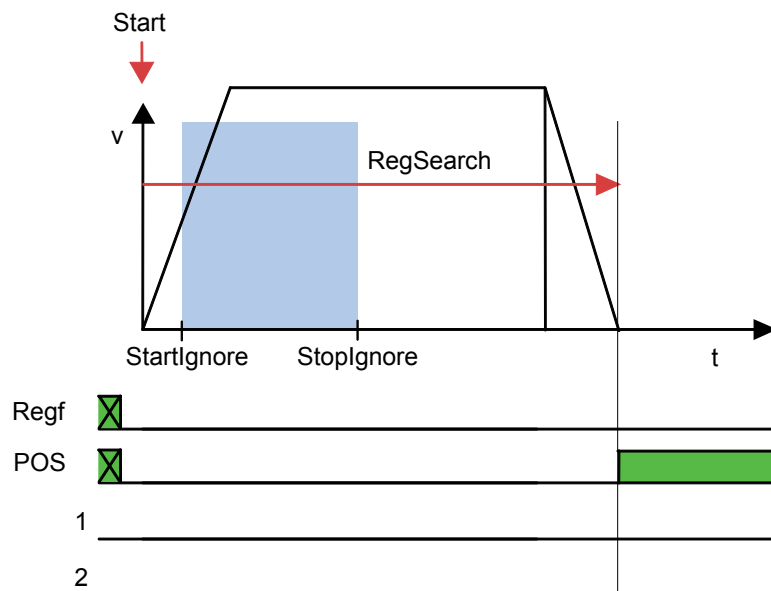
**Example 2: Reg within the reg restriction window**



- Start** Start signal for reg positioning (Control word 1 Bit 4)
- RegSearch:** Positioning for reg search
- RegMove:** Positioning according to reg
- Startignore:** **Reg ignore window:** (see on page 142) Beginning of the ignore zone
- Stopignore:** Reg ignore window: End of the ignore zone
- Reg:** Reg signal (I4 on X12/10)
- Regf:** Signal: Reg detected (Statusword 1 Bit 15)
- POS:** Signal: Position reached (Ausgang A1: X12/3 oder Zustandswort 1 Bit 9)
- 1** Programmable status bits of RegSearch (only for positioning with set selection)
- 2** Programmable status bits of RegMove (only for positioning with set selection)

The reg is ignored; the drive moves to the target position from the RegSearch motion set.

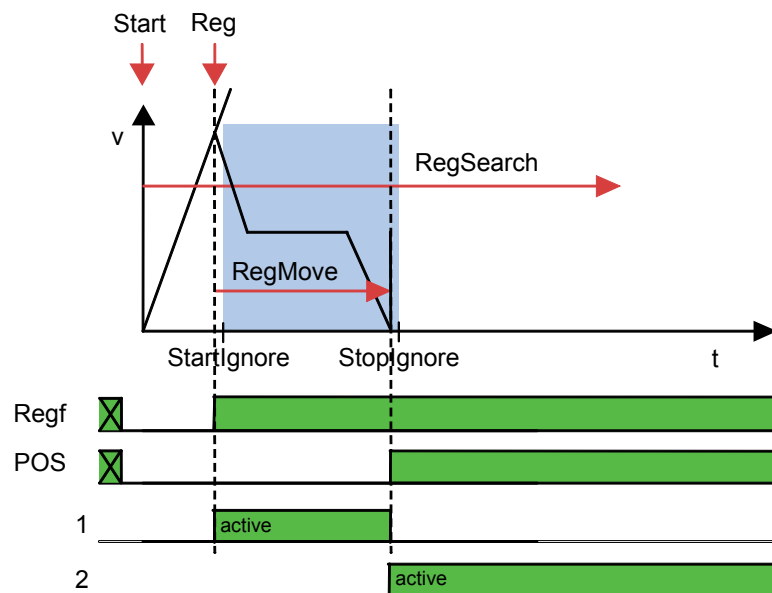
**Example 3: Reg is missing or comes after termination of the RegSearch motion set**



<b>Start</b>	Start signal for reg positioning (Control word 1 Bit 4)
<b>RegSearch:</b>	Positioning for reg search
<b>RegMove:</b>	Positioning according to reg
<b>StartIgnore:</b>	<b>Reg ignore window:</b> (see on page 142) Beginning of the ignore zone
<b>StopIgnore:</b>	Reg ignore window: End of the ignore zone
<b>Reg:</b>	Reg signal (I4 on X12/10)
<b>Regf:</b>	Signal: Reg detected (Statusword 1 Bit 15)
<b>POS:</b>	Signal: Position reached (Ausgang A1: X12/3 oder Zustandswort 1 Bit 9)
<b>1</b>	Programmable status bits of RegSearch (only for positioning with set selection)
<b>2</b>	Programmable status bits of RegMove (only for positioning with set selection)

The drive moves to the target position from the RegSearch motion set

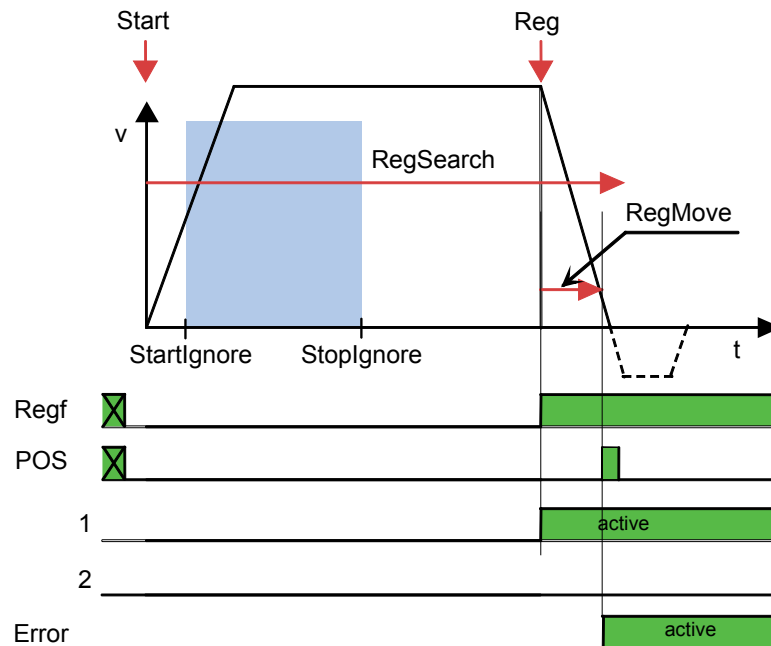
**Example 4: Reg comes before the reg restriction window**



<b>Start</b>	Start signal for reg positioning (Control word 1 Bit 4)
<b>RegSearch:</b>	Positioning for reg search
<b>RegMove:</b>	Positioning according to reg
<b>StartIgnore:</b>	<b>Reg ignore window:</b> (see on page 142) Beginning of the ignore zone
<b>StopIgnore:</b>	Reg ignore window: End of the ignore zone
<b>Reg:</b>	Reg signal (I4 on X12/10)
<b>Regf:</b>	Signal: Reg detected (Statusword 1 Bit 15)
<b>POS:</b>	Signal: Position reached (Ausgang A1: X12/3 oder Zustandswort 1 Bit 9)
<b>1</b>	Programmable status bits of RegSearch (only for positioning with set selection)
<b>2</b>	Programmable status bits of RegMove (only for positioning with set selection)

As from the mark, the drive moves on relatively by the offset defined in RegMove and then stops at that position (same behavior as in example 1).

**Example 5: The registration mark comes after the reg restriction window, registration mark can, however, not be reached without direction reversal**



<b>Start</b>	Start signal for reg positioning (Control word 1 Bit 4)
<b>RegSearch:</b>	Positioning for reg search
<b>RegMove:</b>	Positioning according to reg
<b>StartIgnore:</b>	<b>Reg ignore window:</b> (see on page 142) Beginning of the ignore zone
<b>StopIgnore:</b>	Reg ignore window: End of the ignore zone
<b>Reg:</b>	Reg signal (I4 on X12/10)
<b>Regf:</b>	Signal: Reg detected (Statusword 1 Bit 15)
<b>POS:</b>	Signal: Position reached (Ausgang A1: X12/3 oder Zustandswort 1 Bit 9)
<b>1</b>	Programmable status bits of RegSearch (only for positioning with set selection)
<b>2</b>	Programmable status bits of RegMove (only for positioning with set selection)
<b>Error</b>	Output A0: X12/2 or Statusword 1 Bit 3

Position reached can be activated for a short period, if the position window was not linked to the command value.

With "**Allow higher deceleration for RegMove** (see on page 142)", Compax3 sets the required deceleration.

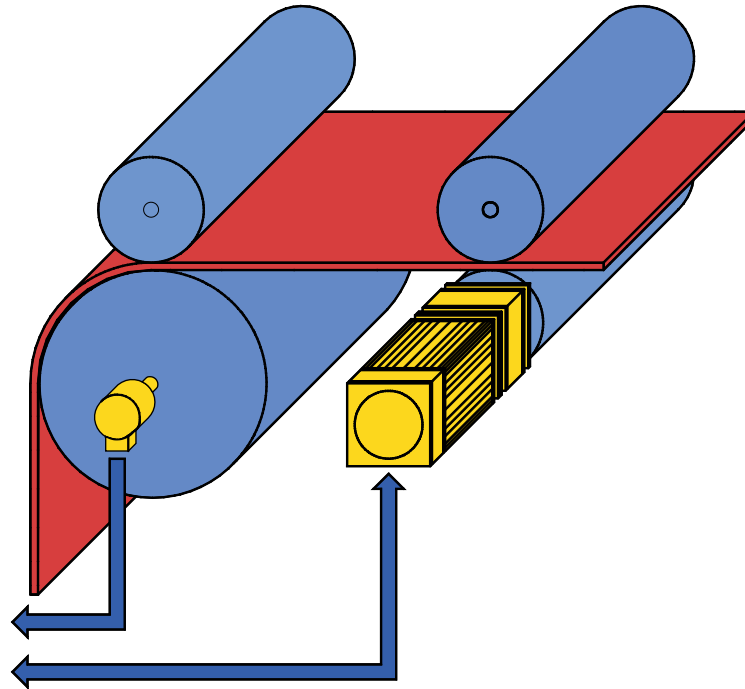
### 4.1.15.3 Electronic gearbox (Gearing)

The motion function “Gearing” (electronic gearbox) moves Compax3 synchronously with a leading axis.

A 1:1 synchronism or any transmission ratio can be selected via the gear factor.

A negative sign - which means reversal of direction - is permitted.

#### Function: Electronic gearbox (Gearing)



The position of a master axis can be detected via:

- ◆ +/-10V analog input
- ◆ Step / direction input (X11/6, 7, 8, 12)
- ◆ the encoder input (X11/6, 7, 8, 12) or
- ◆ HEDA, if Compax3 is used as master drive.

The master signal detection is configured under synchronization.

#### Settings of the “Gearing” motion function

**Gearing numerator /  
Gearing  
denominator:**

Transmission ratio slave / master

The transmission ratio (gear factor) can be entered in “Gearing numerator” (at “Gearing denominator” = 1).

You will obtain an exact image of a non-integral transmission ratio by entering the value integrally as a fraction with numerator (integral) and denominator (integral). Long-term drifts can only be avoided by using integral values.

That is:

$$\frac{\text{Slave}}{\text{Master}} = \frac{\text{Gearing numerator}}{\text{Gearing denominator}}$$

#### **Acceleration**

Here you can define the acceleration for the drive to reach the desired synchronism.

- Dynamic change of the gear factor** You can switch dynamically between 2 gearing motion sets with different gear factors.  
The set acceleration counts as deceleration if the gear factor is reduced.
- Dynamic switching between the gearing motion function and positioning functions (MoveAbs, MoveRel, RegSearch) is possible.
- Synchronicity:** With the "Gear reached" signal (Ausgang A1: X12/3 oder Zustandswort 1 Bit 9), the reaching of the synchronicity is displayed.  
The signal "Gear reached" is reset if the synchronicity is exited.  
The programmable status bits (PSBs) are activated via the signal "Gear reached".
- Limiting effects** If the synchronicity is lost temporarily due to limitations, the resulting position difference is made up afterwards.

**Note:** Jerk is not limited.

#### 4.1.15.4 Speed specification (Velocity)

This motion function is defined by velocity and acceleration.  
An active motion set is interrupted by:

- ◆ Stop or
- ◆ Start of a different set.

As soon as the setpoint speed is reached, "speed reached" (Ausgang A1: X12/3 oder Zustandswort 1 Bit 9) as well as the defined status bits (PSBs) are activated.

**Note:** Position control is active, i.e. the following error caused by limitations will be made up.  
Jerk is not limited.

#### 4.1.15.5 Stop command (Stop)

The Stop set interrupts the current motion set (Stop with interruption).

This motion function is defined by the deceleration and the jerk of the drive when coming to a standstill.

As soon as the drive is at standstill "position reached" (Ausgang A1: X12/3 oder Zustandswort 1 Bit 9) as well as the defined status bits (PSBs) are activated.

**Note:** The stop command (as motion function) is not effective during the machine zero run.

## 4.1.16. Error response

Under "configuring: Error reaction" you can change the error reaction for individual **errors** (see on page 338) (the error no. which can be influenced is displayed).

Possible settings for the error reaction are:


- ◆ No response
- ◆ Downramp / stop
- ◆ Downramp / stromlos schalten (standard settings)


Note on Compax3H:

The error reaction upon the "low voltage DC" error (0x3222) is fixed to "downramp/deenergize" for Compax3H.

### 4.1.17. Configuration name / comments

Here you can name the current configuration as well as write a comment. Then you can download the configuration settings or, in T30 or T40 devices, perform a complete Download (with IEC program and curve).

	<p><b>Caution!</b> Deactivate the drive before downloading the configuration software!</p> <p><b>Please note!</b> Incorrect configuration settings entail danger when activating the drive. Therefore take special safety precautions to protect the travel range of the system.</p>
---	--

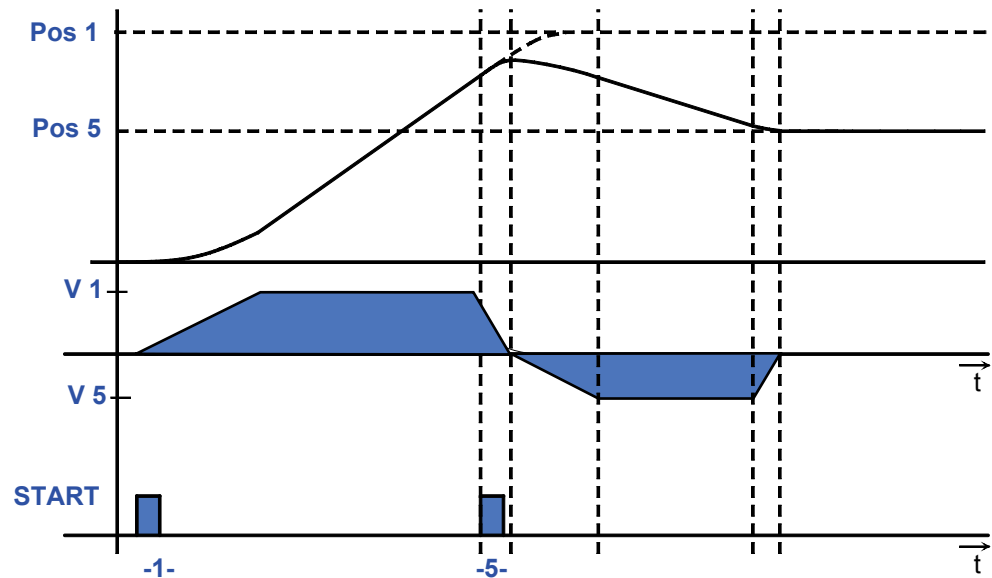
	<p><b>Mechanical limit values!</b> Observe the limit values of the mechanical components! Ignoring the limit values can lead to destruction of the mechanical components.</p>
---	---

### 4.1.18. Dynamic positioning

You can change over to a new motion set during a positioning process. All motion parameters of the new data record become valid

**Hint** The new motion set address must not equal 0.

**Example:** MoveAbs (Target position POS1) is interrupted by a new MoveAbs with target position (POS 5)





The following dynamic transitions are supported:

Motion function in progress	Possible dynamic change to the motion function:
MoveAbs, MoveRel, RegSearch, RegMove, Velocity	MoveAbs, MoveRel, Velocity, RegSearch, Gearing
Gearing	MoveAbs, MoveRel, RegSearch, Gearing (other gearing factor)
Stop	-

**Prerequisite:** Prerequisite for dynamic positioning is:  
**Control word 1 Bit 5 = "1"** (Change set immediately)

## 4.2 Configuring the signal Source

**In this chapter you can read about:**

Signal source of the load feedback system ..... 154  
 Select signal source for Gearing ..... 154

### 4.2.1. Signal source of the load feedback system

Configuration of the **load control** (see on page 158) (Dual Loop Option)

### 4.2.2. Select signal source for Gearing

**In this chapter you can read about:**

Signal source HEDA ..... 155  
 Encoder A/B 5V, step/direction or SSI feedback as signal source ..... 155  
 +/-10V analog speed setpoint value as signal source ..... 157

Here the signal source is configured for the motion function "Gearing" (electronic gearbox).

Available are:

**Gearing input signal source**

- ◆ The HEDA real-time bus (M10 or M11 option) directly from a Compax3 master axis
- ◆ an encoder signal A/B 5V
- ◆ a step/direction signal 5V or
- ◆ a velocity as analog value +/-10V

**HEDA operating mode HEDA as Master**

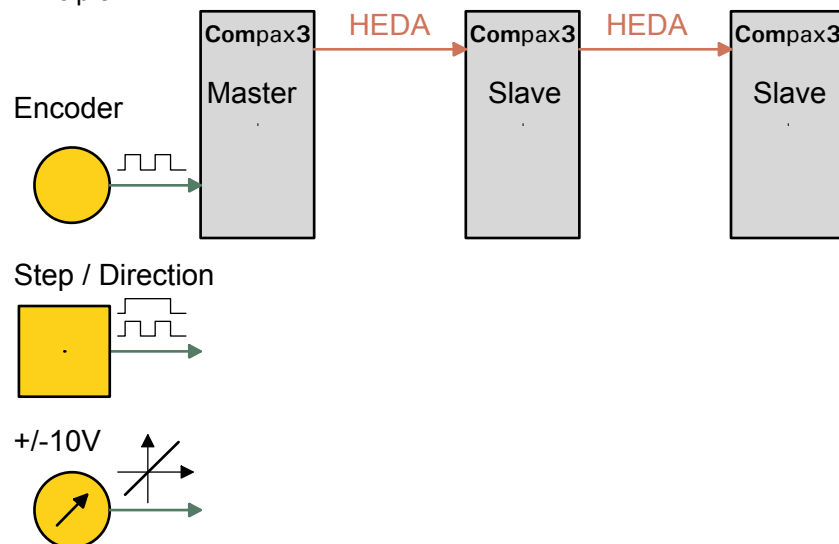
**Under signal source gearing "not configured" must be set!**

If an existing HEDA option (M10 or M11) is not used as signal source, you can transmit the following signals for a slave axis via HEDA:

- ◆ Process - setpoint position (Object 2000.1)
- ◆ Process - actual position (Object 2200.2)
- ◆ Position as from external Setpoint value (Object 2020.1)

Signal read into the master via Analogkanal 0 (X11/9 und X11/11), Encoder input or step/direction input .

Principle:





**Attention in the case of a configuration download with master-slave coupling (electronic gearbox, cam)**

Switch Compax3 to currentless before starting the configuration download:  
Master and Slave axis

#### 4.2.2.1 Signal source HEDA

Signal source is a Compax3 master axis in which the HEDA operating mode "HEDA master" is set.

Please enter besides the desired error reaction an individual HEDA axis address in the range from 1 ...32.

The dimensional reference to the master is established via the following settings:

- ◆ Travel distance per motor revolution ( or pitch for linear motors) master axis numerator  
With denominator = 1 the value can be entered directly.  
Long-term drift can be avoided by entering non-integral values integrally as a fraction with numerator and denominator.
- ◆ Travel per motor revolution (or pitch of linear motors) master axis denominator  
If required the direction of rotation of the master axis read in can be changed.

#### 4.2.2.2 Encoder A/B 5V, step/direction or SSI feedback as signal source

**Caution!**

- ◆ The encoder simulation (A/B) is not possible at the same time as the encoder input, der SSI-Schnittstelle resp. the step/direction input.  
The same interface is used here.
- ◆ A direction reversal configured in the C3 ServoManager does not affect the encoder simulation.  
The direction of rotation of the encoder simulation can, however, be changed via the feedback direction in the MotorManager.

The dimensional reference to the master is established via the following settings:

- ◆ Travel distance per motor revolution ( or pitch for linear motors) master axis numerator  
With denominator = 1 the value can be entered directly.  
Long-term drift can be avoided by entering non-integral values integrally as a fraction with numerator and denominator.
- ◆ Travel per motor revolution (or pitch of linear motors) master axis denominator
- ◆ Increments per revolution of the master axis

If required the direction of rotation of the master axis read in can be changed.

**Example: Electronic gearbox with position detection via encoder**

**Reference to master axis** The reference to the master axis is established via the increments per revolution and the travel path per revolution of the master axis (corresponds to the circumference of the measuring wheel).

That is:

$$\text{MasterPos} = \frac{\text{Master\_I}}{\text{I\_M}} * \frac{\text{Travel Distance per Master Axis revolution (M\_Units/rev)}}{\text{Travel Distance per Master Axis revolution - Denominator}} \quad (1)$$

MasterPos: Master Position

Master\_I: master increments read in

I\_M: Increments per revolution of the master axis

**External signal source** Encoder with 1024 increments per master revolution and a circumference of the measuring wheel of 40mm.

**Settings:** Travel path per revolution of the master axis numerator = 40  
 Travel path per revolution of the master axis denominator = 1  
 Increments per revolution of the master axis = 1024

**Configuration wizard:** Reference system of Slave axis: Unit of measure [mm]  
 Travel path per revolution numerator = 1  
 Travel path per revolution denominator = 1

**Gearing:** Gearing numerator = 2  
 Gearing denominator = 1

**This results in the following interrelations:**

If the measuring wheel moves by 40mm (1 master revolution), the slave axis will move by 80mm.

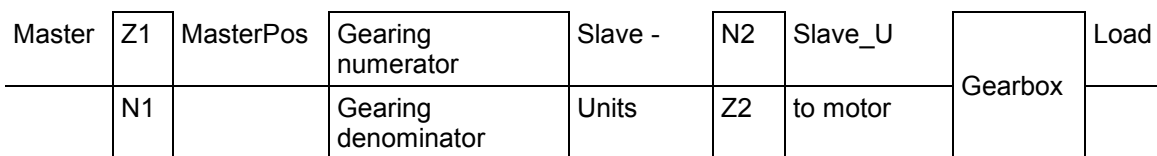
$$\text{Slave unit} = \text{MasterPos} * \frac{\text{Gearing numerator}}{\text{Gearing denominator}} \quad (2)$$

(1) set into (2) and with numerical values results with 1024 increments read in (=1 Master revolution):

$$\text{Slave unit} = 1024 * \frac{1}{1024} * \frac{40\text{mm}}{1} * \frac{2}{1} = 80\text{mm}$$

Master - Position = +40mm => Slave - Position = +80mm

**Structure:**



Detailed structure image  
with:

$$MD = \frac{z1 * \text{Travel Distance per Master Axis revolution (M_Units/rev)}}{N1 \text{ Travel Distance per Master Axis revolution - Denominator}}$$

Entry in the "configuration of the signal source" wizard

$$SD = \frac{z2 * \text{Travel path per revolution slave axis numerator}}{N \text{ Travel path per revolution slave axis denominator}}$$

Entry in the "configuration of the signal source" wizard

**MD:** Feed of the master axis

**SD:** Feed of the slave axis

### 4.2.2.3 +/-10V analog speed setpoint value as signal source

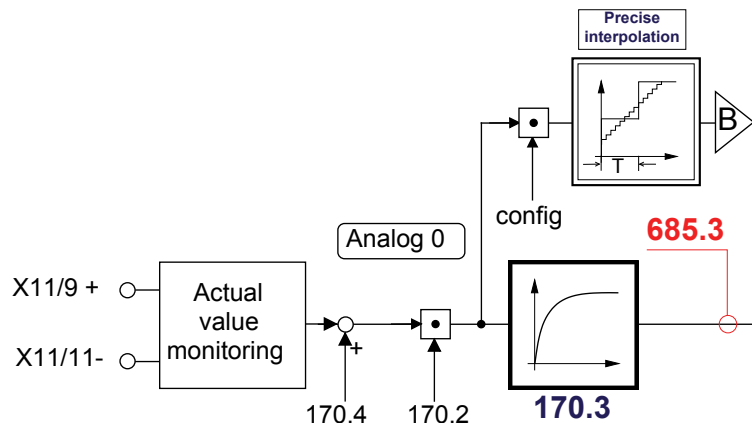
Via Analogkanal 0 (X11/9 und X11/11) the speed of the master is read in.

From this value a position is internally derived, from which then the motion of the drive is derived with reference to the transmission ratio.

Without limitation effect applies:

Velocity of the master \* (Gearing numerator / gearing denominator) = velocity of the slave

### Signal processing of the analog input 0



B: **Continuative structure image** (see on page 233)

The reference to the master is established with the velocity at 10V.

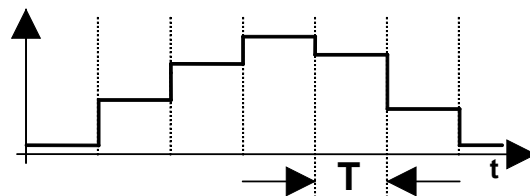
If required the direction of rotation of the master axis read in can be changed.

### Time frame signal source master

Averaging and a following filter (interpolation) can help to avoid steps caused by discrete signals.

If the external signal is analog, there is no need to enter a value here (Value = 0).

For discrete signals e.g. from a PLC, the scanning time (or cycle time) of the signal source is entered.



This function is only available if the analog interface +/-10V is used!

## 4.3 Load control

### In this chapter you can read about:

Configuration of load control .....	160
Error: Position difference between load mounted and motor feedback too high .....	161
Load control signal image .....	161

The load control can be activated via an additional feedback system for the acquisition of the actual position of the load.

This helps for example compensate the slip between material and roller or non-linearities of the mechanic parts.

The load position is set to the demand position.

### Please note:

- ◆ This function is not available in the C3I10T10 and C3I11T11 devices.
- ◆ As a sensor signal, **Encoder** (see on page 404) with A/B track, Step/Direction signal or SSI - sensor is supported.
- ◆ This controller structure improves the stationary precision at the load after the decay of all control movements.  
An increase of the dynamic precision (faster transient response) can in general not be reached with the "load control" structure variant.

### **Notes on the SSI sensor**

- ◆ With Multiturn: Number of sensor rotations with absolute reference
- ◆ Word length: Gives the telegram length of the sensor.
- ◆ Baud rate/step: Max. transmission rate of the path measurement system.
- ◆ Gray code: Sensor gray code coded yes/no (if no binary coded).

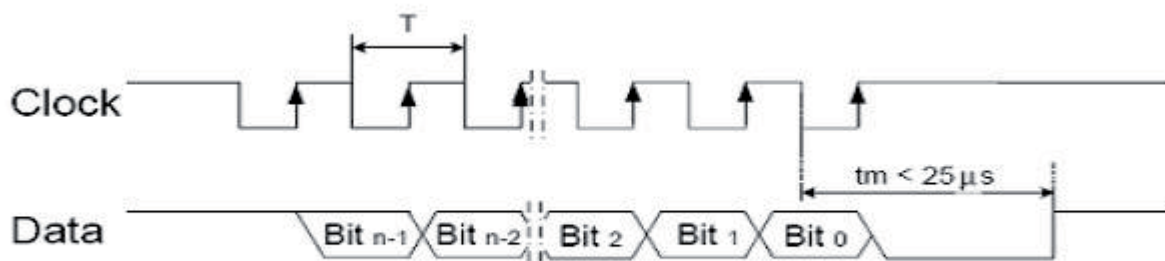
### **Note:**

The absolute position is not evaluated!

It is available in the objects 680.24 (load position) and 680.25 (master position) (C3T30, C3T40).

### **General requirements for supported SSI feedbacks**

- ◆ Baud rate: 350k ... 5MBaud
- ◆ Word length: 8 ... 32 Bit
- ◆ Binary or gray code (start value = 0)
- ◆ Initialization time after PowerOn: < 1.1s
- ◆ Signal layout:



The most significant bit must be transmitted the first!

**Caution!** Feedback systems, transmitting data containing error or status bits are not supported!

◆ Examples of supported SSI feedback systems:

- ◆ IVO / GA241 SSI;
- ◆ Thalheim / ATD 6S A 4 Y1;
- ◆ Hübner Berlin / AMG75;
- ◆ Stegmann / ATM60 & ATM90;
- ◆ Inducoder / SingleTurn: EAS57 & Multiturn: EAMS57

### 4.3.1. Configuration of load control

#### Configuration in the "configure signal source" wizard under "load feedback system":

- ◆ The selection of the feedback signal activates the acquisition and the signals are available as **status values** (see on page 161).
- ◆ Rotatory or linear feedback systems are supported.
- ◆ Input values for rotatory feedback systems:
  - ◆ Increments per feedback revolution (physical, without quadruplication)
  - ◆ Direction reversal
 

**Attention!**With wrong sense of direction and active load control, you will get a positive feedback; the motor will accelerate in an uncontrolled way  
Solution: Before the load control is activated, the signals must be checked with the aid of the **status values** (see on page 161) and secured against wrong sense of direction by configuring a "maximum difference to motor position" (O410.6).
  - ◆ Load travel per feedback revolution: Is used for establishing the measure reference between load- and motor position.  
The value can be configured very precisely by entering numerator and denominator.
- ◆ Input values for linear feedback system
  - ◆ Feedback resolution (physical, without quadruplication)  
Position difference, which corresponds to a cycle duration of the feedback signal.
  - ◆ Direction reversal
 

**Attention!**With wrong sense of direction and active load control, you will get a positive feedback; the motor will accelerate in an uncontrolled way  
Solution: Before the load control is activated, the signals must be checked with the aid of the **status values** (see on page 161) and secured against wrong sense of direction by configuring a "maximum difference to motor position" (O410.6).
  - ◆ Scaling factor for an additional adaptation of the feedback signal (is normally not required = 1)
  - ◆ Maximum difference to the motor position  
Upon exceeding this value, Compax3 will report **error 7385hex** (see on page 161) (29573dec)
  - ◆ Intervention limitation (O2201.13 in % of the reference velocity or reference speed);  
only active with position controller I component switched off (O2200.25=0)  
You can use this specification in order to limit position correction intervention, i.e. to limit the velocity correction factor resulting from the position difference. This can be especially sensible during the acceleration phase, if the material slips because of too high corrective velocities.
- ◆ Activate / Deactivate load control

**Attention!**

**The load control is immediately active after the configuration download!  
Please do only activate after checking the load position signal (scaling,  
direction, value).**



**Alignment of the load control:**

There is an **Alignment of the position values** of motor and load under the following operating conditions (Load position = Motor position):

- ◆ During a **Machine zero run** the load control is deactivated until the position value 0 (defined via the machine zero offset) was approached. Then an alignment of the position values is performed and the load control is activated.
- ◆ After switching on Compax3.
- ◆ When writing "1" into object 2201.2
- ◆ When activating the load control.

**Continuous mode**

In continuous operation (object 1111.8 <> 0) an alignment of the position values of motor and load (load position = motor position) takes place upon each new positioning command.

Application: e.g. roller feed

**4.3.2. Error: Position difference between load mounted and motor feedback too high**

The (unfiltered) position difference between motor feedback and load feedback has exceeded the "maximum difference to motor position" value (O410.6)

The load position in the position controller is deactivated.

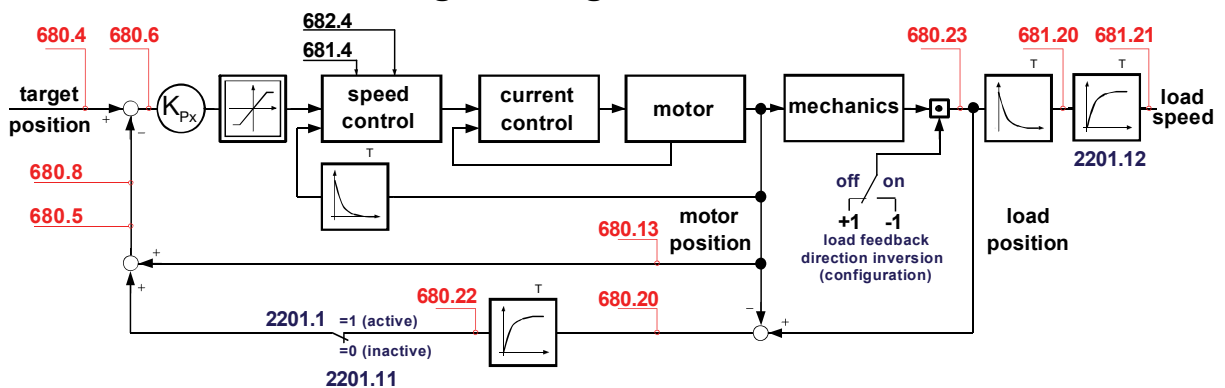
In order to re-activate the function (after eliminating the cause of the error), you have the following possibilities:

- ◆ Activate function in configuration and perform configuration download or enter True (-1) into O2201.1
- ◆ Perform Ackn and/or Homing (function becomes effective after homing run).

**Caution!**

The position difference is aligned to zero when switched on again, i.e. the original position reference is lost. Therefore it is advisable to approach the reference point again in this case (Machine zero run or Homing).

**4.3.3. Load control signal image**



Description of the objects (see on page 322)

## 4.4 Optimization

### In this chapter you can read about:

Optimization window .....	163
Scope .....	164
Controller optimization .....	172
Signal filtering with external command value .....	233
Input simulation .....	235
Setup mode .....	237
Load identification .....	239
Alignment of the analog inputs .....	241
C3 ServoSignalAnalyzer .....	243
ProfileViewer for the optimization of the motion profile .....	278
Turning the motor holding brake on and off .....	279

- ◆ Select the entry "**Optimization**" in the tree.
- ◆ Open the optimization window by clicking on the "**Optimization Tool**" button.

## 4.4.1. Optimization window

### Layout and functions of the optimization window

#### Segmentation

Window 1:

#### Functions (TABs)

◆ **Oscilloscope** (see on page 164)

Window 2:

◆ Optimization: Controller optimization

◆ **D/A Monitor** (see on page 337): Output of status values via 2 analog outputs

◆ Scope Settings

Window 3:

◆ Status Display

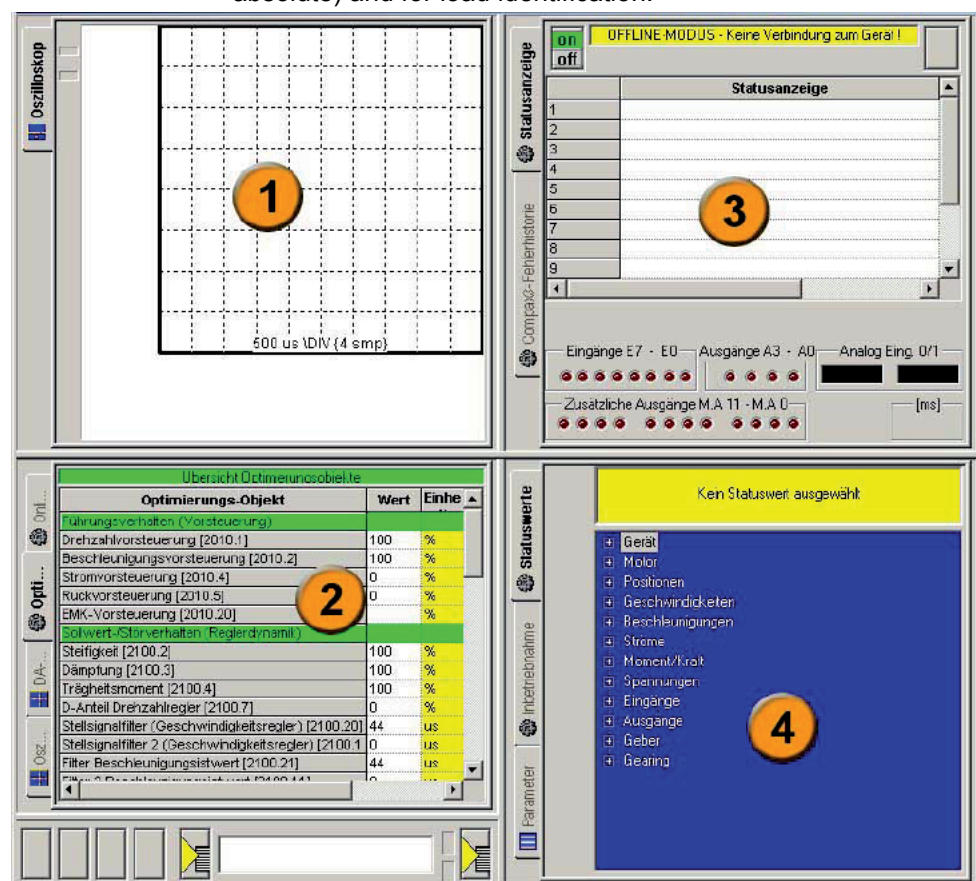
◆ Compax3 Error History

Window 4:

◆ Status values

◆ Commissioning: **Setup mode** (see on page 237) with **load identification** (see on page 239)

◆ Parameters for commissioning, test movements (relative & absolute) and for load identification.



## 4.4.2. Scope

### In this chapter you can read about:

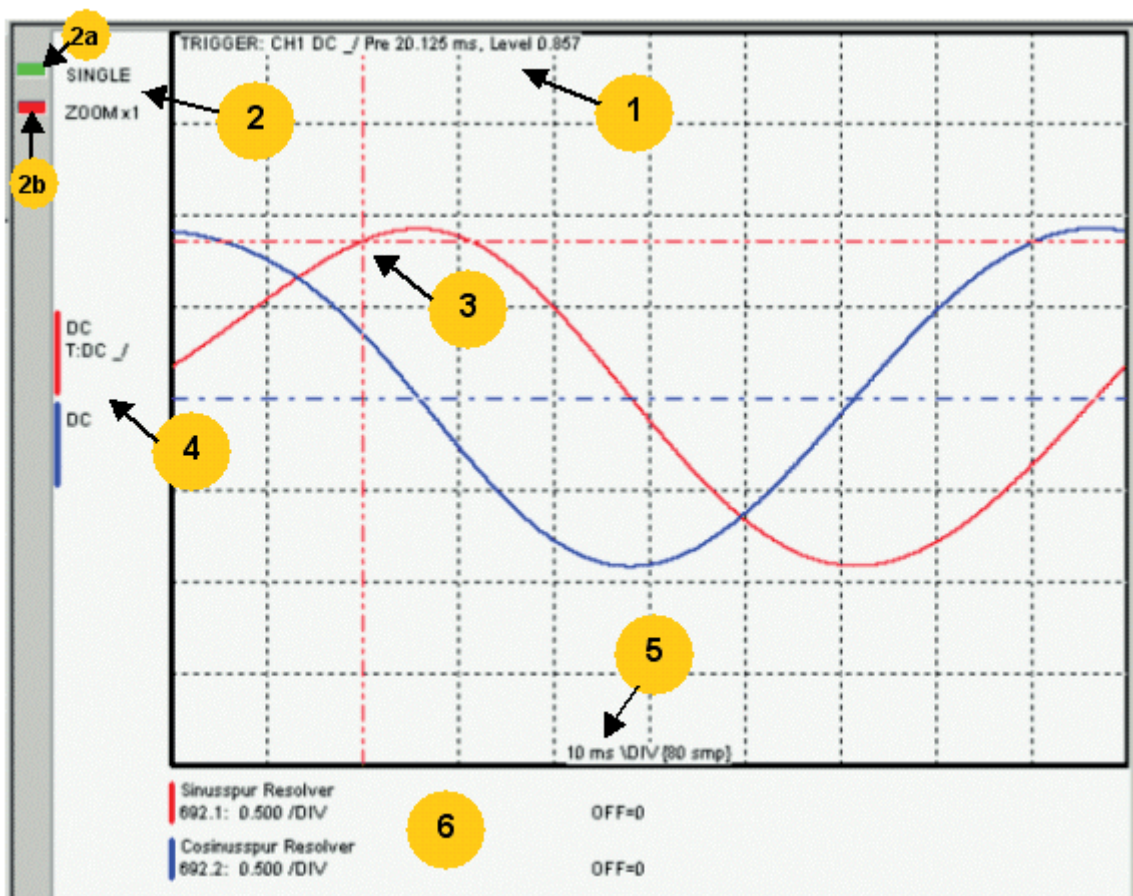
Monitor information.....	164
User interface.....	165
Example: Setting the Oscilloscope.....	170

The integrated oscilloscope function features a 4-channel oscilloscope for the display and measurement of signal images (digital and analog) consisting of a graphic display and a user interface.

### Special feature:

In the single mode you can close the ServoManager after the activation of the measurement and disconnect the PC from Compax3 and upload the measurement into the ServoManager later.

### 4.4.2.1 Monitor information








- 1: Display of the trigger information
- 2: Display of the operating mode and the zoom setting
  - ◆ 2a: Green indicates, that a measurement is active (a measurement can be started or stopped by clicking here).
  - ◆ 2b: Active channel: The active channel can be changed sequentially by clicking here (only with valid signal source).
- 3: Trigger point for Single and Normal operating mode
- 4: Channel information: Type of display and trigger setting; choice of the active channel
- 5: X-DIV: X deviation set
- 6: Single channel sources

### Cursor modes -functions

Depending on the operating mode, different cursor functions are available within the osci monitor.

The functions can be changed sequentially by pressing on the right mouse button.

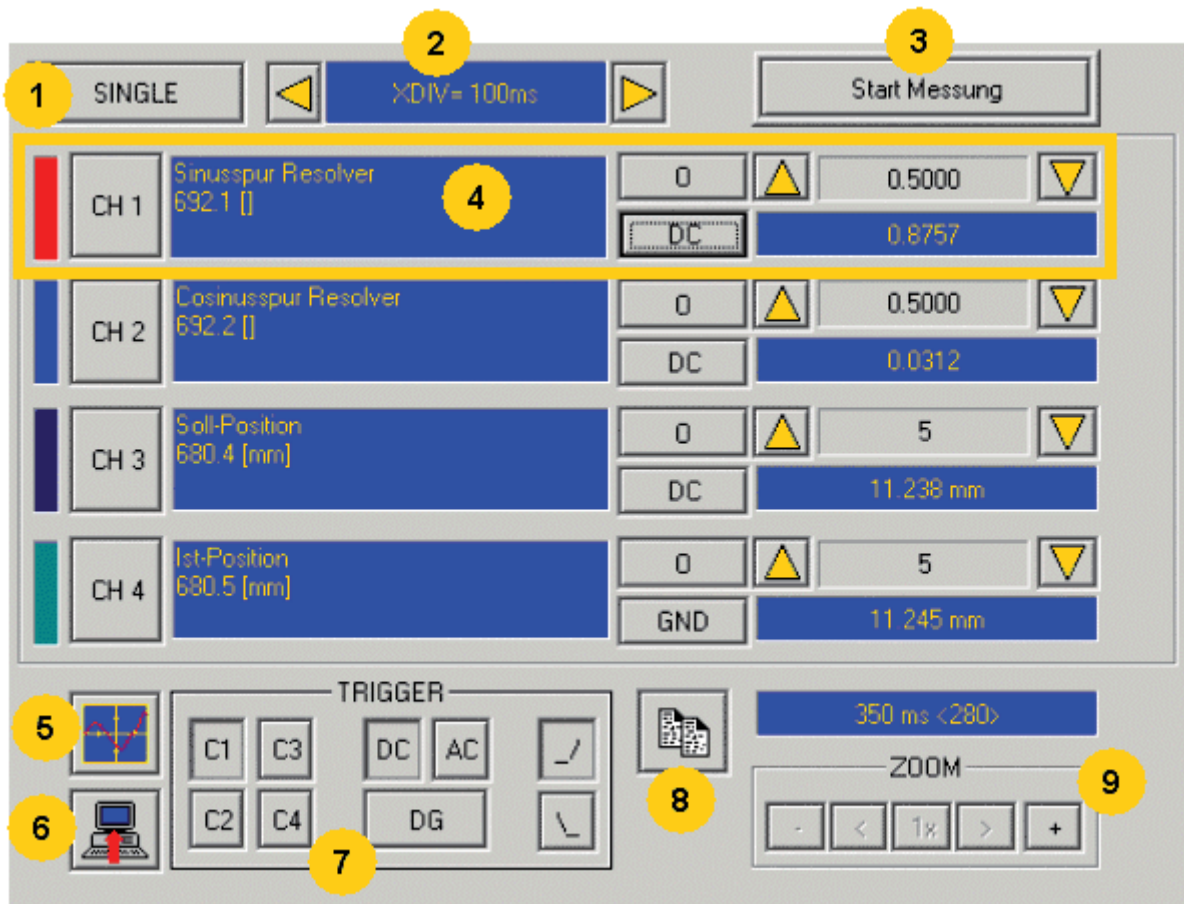
Cursor Symbol	Function
	Set Marker 1 the measurement values of the active channel as well as the Y difference to marker 2 are displayed
	Set Marker 2
	Delete and hide marker
	Move offset of the active channel. The yellow symbol indicates that the scrolling is active.
	Set trigger level and pretrigger

In the ROLL operating mode, marker functions and set trigger level positions are not available.

### 4.4.2.2 User interface

**In this chapter you can read about:**

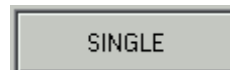
Oscilloscope operating mode switch:.....	166
Setting the time basis XDIV .....	166
Settings for channels 1..4 .....	167
Trigger settings.....	168
Special functions .....	168



- 1: **Operating mode switch** (see on page 166) (Single / Normal / Auto / Roll)
- 2: **Setting the time basis** (see on page 166)
- 3: Starting / Stopping the measurement (prerequisites are valid channel sources and if necessary valid trigger settings.)
- 4: **Setting channel** (see on page 167) (Channels 1 ...4)
- 5: **Special functions** (see on page 168) (Color settings; memorizing settings and measurement values)
- 6: Loading a measurement from Compax3: in the single mode you can close the ServoManager after the activation of the measurement and disconnect the PC from Compax3 and upload the measurement later.
- 7: **Setting triggering** (see on page 168)
- 8: Copy osci display to clipboard
- 9: Zoom of the osci display (1, 2, 4, 8, 16 fold) with the possibility to shift the zoom window (<,>)

### Oscilloscope operating mode switch:

#### Oscilloscope operating mode switch:



Selection of the desired operating mode: SINGLE, NORMAL; AUTO and ROLL by clicking on this button.

Changing the operating mode is also permitted during a measurement. The current measurement is interrupted and started again with the changed settings.

The following operating modes are possible:

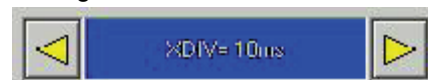
Operating mode	Short description
SINGLE	Single measurements of 1-4 channels with trigger on a freely selectable channel
NORMAL	Like Single, but after each trigger event, the measurement is started again.
AUTO	No Trigger. Continuous measuring value recording with the selected scanning time or XDIV setting
ROLL	Continuous measuring value recording of 1 .. 4 channels with selectable scanning time and a memory depth of 2000 measuring values per channel.

With SINGLE / NORMAL / AUTO, the measurement is made in Compax3 and is then loaded into the PC and displayed.

With ROLL, the measuring values are loaded into the PC and displayed continuously.

### Setting the time basis XDIV

Setting the time basis XDIV



Depending on the selected operating mode, the time basis can be changed via the arrow keys.

**For the operating modes SINGLE, NORMAL and AUTO, the following XDIV time settings are possible:**

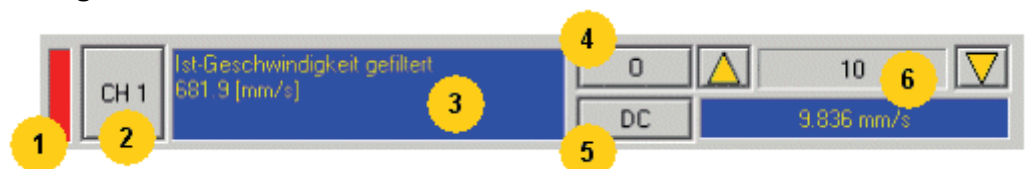
XDIV	Scanning time	Samples DIV/TOTAL	Measuring time
0.5 ms	125 us	4/40	5 ms
1.0 ms	125 µs	8/80	10 ms
2.0 ms	125 µs	16/160	20 ms
5.0 ms	125 µs	40/400	50 ms
10.0 ms	125 µs	80/800	100 ms
20.0 ms	1 ms	20/200	200 ms
50.0 ms	1 ms	50/500	500 ms
100.0 ms	2 ms	50/500	1 s
200.0 ms	2.5 ms	80/800	2 s
500.0 ms	10 ms	50/500	5 s
1s	12.50 ms	80/800	10 s
2s	25.00 ms	80/800	20 s
5s	62.50 ms	80/800	50s
10s	125.00 ms	80/800	100 s

**For the operating ROLL, the following XDIV time settings are possible:**

XDIV	Scanning time	Samples DIV/TOTAL
400 ms	2 ms	200/2000
1 s	5 ms	200/2000
2 s	10 ms	200/2000
4 s	20 ms	200/2000
10 s	50 ms	200/2000
20 s	100 ms	200/2000
40 s	200 ms	200/2000
100 s	500 ms	200/2000
200 s	1 s	200/2000

Changing the time basis is also permitted during an OSCI measuring sequence. This means, however, that the current measurement is interrupted and started again with the changed settings.

### Settings for channels 1..4



**1: Select channel color**

**2: Open menu for channel-specific settings**

- ◆ **Resetting channel CH 1..4:** All channel settings are deleted.  
Please note: Channels can only be filled with sources one after the other. It is, for example, not possible to start a measurement which has only a signal source for channel 2!
- ◆ **Select channel color:** Here you can change the color of the channel.
- ◆ **Show/hide channel:** Hide/show display of the channel.
- ◆ **Change logic display mask:** Mask bits in logic display.
- ◆ **Autoscale:** Calculating YDIV and offset: The program calculates the best settings for YDIV and channel offset in order to display the complete signal values optimally.

### **3: Set signal source with object name, number and if necessary unit**

- ◆ Define source: Draw the desired status object with the mouse (drag & drop) from the "Status value" window (right at the bottom) into this area.  
Multiple oscilloscope in Compax3M: select device in addition to the object.

### **4: Set Channel offset to 0**

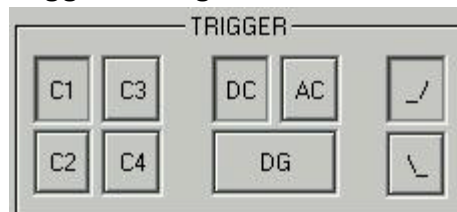
#### **5: Select channel display (GND, DC, AC, DIG)**

- ◆ **DC:** Display of the measurement values with constant component
- ◆ **AC:** Display of the measurement values without constant component
- ◆ **DIG:** Display of the individual bits of an INT signal source.  
The displayed bits can be defined via the logic display mask.
- ◆ **GND:** A straight line is drawn on the zero line.

#### **6: Set Y-amplification (YDIV)**

Change of the Y amplification YDIV in the stages 1, 2, 5 over all decades.  
Arrow upwards increases YDIV, arrow downwards diminishes YDIV.  
The standard value is 1 per DIV.  
The measurement value of the channel at the cursor cross is displayed.

### **Trigger settings**



Select trigger channel: Buttons C1, C2, C3, C4

Select trigger mode: DC, AC, DG

Selecting the trigger edge: Rising\_/ or falling \.

The pretrigger as well as the trigger level are set by clicking on the trigger cursor (



) directly in the OSCI display.

### **Special functions**



Menu with special oscilloscope functions such as memorizing or loading settings.



**Functions:**

- ◆ **Select background color:** Adapt background color to personal requirements.
- ◆ **Select grid color:** Adapt grid color to personal requirements.
- ◆ **Memorize OSCI settings in file:** The settings can be memorized in a file on any drive. The file ending is \*.OSC.
- ◆ The format corresponds to an INI file and is presented in the appendix.
- ◆ **Open OSCI settings from file:** Loading a memorized set of settings. The file ending is \*.OSC.
- ◆ **Memorizing OSCI settings in the project:** Up to four sets of OSCI settings can be memorized in the current C3 ServoManager project. .
- ◆ **Open OSCI settings from project:** If settings were memorized in the project, they can be read in again.
- ◆ **Memorize OSCI measurement in file:** Corresponds to memorizing the setting; the measurement values of the measurement are stored in addition. Thus it is possible to memorize and read measurements completely with settings. The file ending is \*.OSM.
- ◆ **Export measure samples to csv file:** e.g. for reading into Excel.

### 4.4.2.3 Example: Setting the Oscilloscope

#### SINGLE measurement with 2 channels and logic trigger on digital inputs

The order of the steps is not mandatory, but provides a help for better understanding.

As a rule, all settings can be changed during a measurement. This will lead to an automatic interruption of the current measurement and to a re-start of the measurement with the new settings:

**Assumption: A test movement in the commissioning mode is active.**

1.) Select OSCI operating mode



2.) Select Time basis XDIV



3.) Select channel 1 signal source digital inputs 120.2 from status tree with the aid of Drag & Drop

4.) Select channel 2 (filtered actual speed) via "Drag and drop" from the status tree

5.) Set trigger to channel 1 and DG.

Input of the mask in HEX

Triggering a rising edge to input I1.

BIT 0 (value 1) = I0

BIT 1 (value 2) = I1

BIT 2 (value 4) = I2 etc.

Trigger to input	I0	I1	I2	I3	I4	I5	I6	I7
Trigger mask in hex	1	2	4	8	10	20	40	80

The masks can also be combined so that the trigger is only active, if several inputs are active. Example: Triggering to I2 and I5 and I6 -> 4h + 20h + 40h = 64h

The mask for input I1 is in this case 2.

Select rising edge.

NOTE: If the trigger mask DG (digital) is selected for a channel, the display mode of the trigger channel is automatically set to DIG display.

6.) Start measurement

7.) Set pretrigger in the OSCI window

Note: There is no level for the DIG trigger. The the event limit determines the mask  
If a trigger event occurs, the measurement values are captured until the measurement is completed.

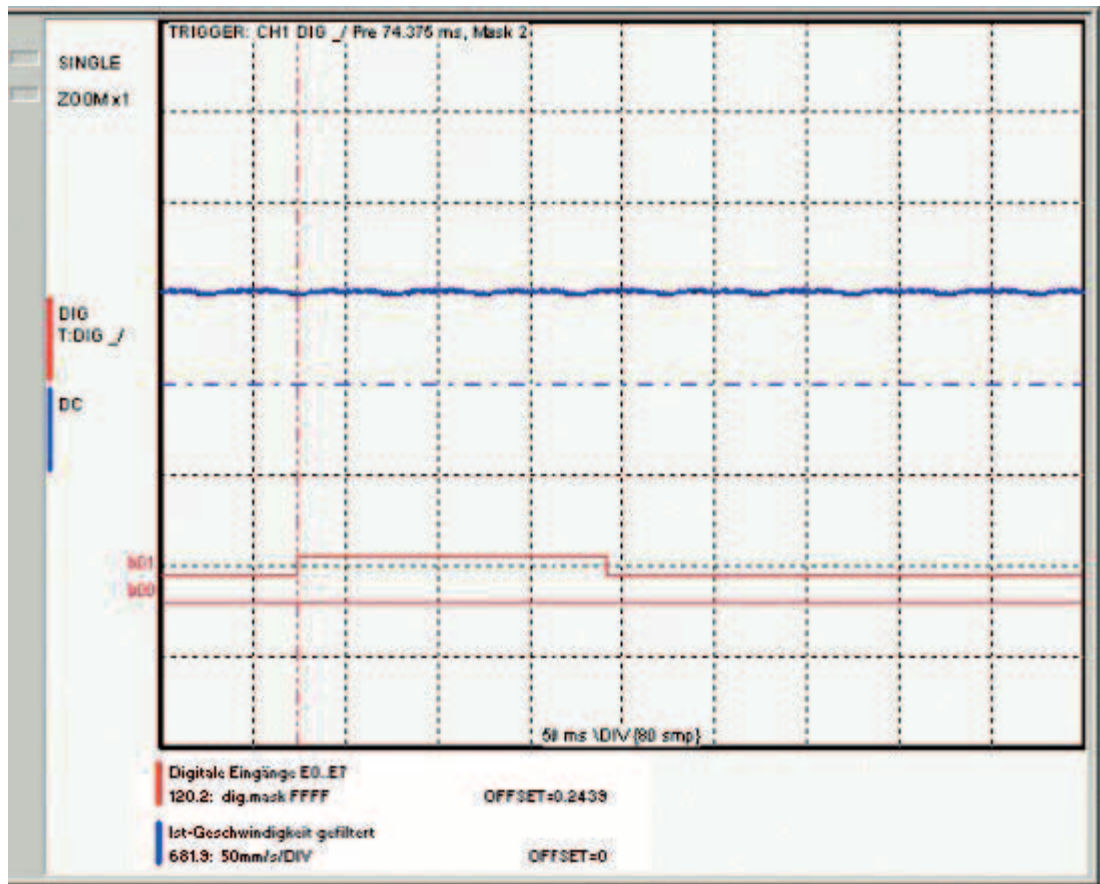
Afterwards, the measurement values are read from the Compax3 and displayed.

The display mask of trigger channel 1 was not yet limited, therefore it shows all 16 bit tracks (b0...b15). In order to limit it to 8 bit tracks, you must call up the menu for channel 1 via [CH1] and select "change logic of display mask [H].

Limit the display mask to 8 bit tracks with Mask FFh.

In the display the bit tracks b0 to b7 are now shown:

**Example: Only b0 and b1 are to be displayed: Set display mask to 03**



### 4.4.3. Controller optimization

In this chapter you can read about:

Introduction..... 172  
 Configuration ..... 175  
 Automatic controller design..... 191  
 Setup and optimization of the control ..... 203

#### 4.4.3.1 Introduction

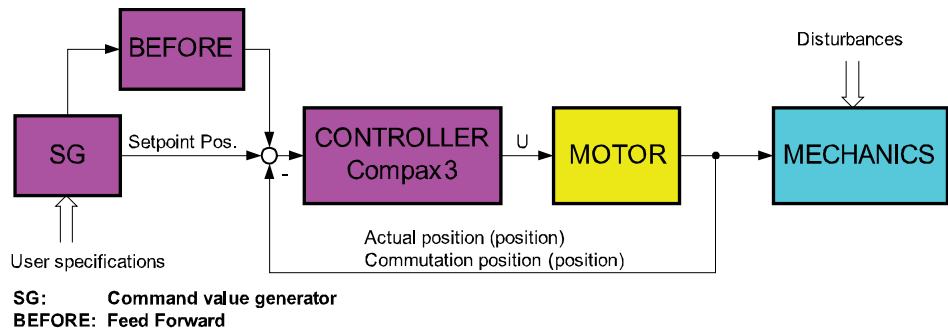
In this chapter you can read about:

Basic structure of the control with Compax3 ..... 172  
 Proceeding during configuration, setup and optimization ..... 172  
 Software for supporting the configuration, setup and optimization..... 173

#### Basic structure of the control with Compax3

Compax3 is an intelligent servo drive for different applications and dynamic motion sequences.

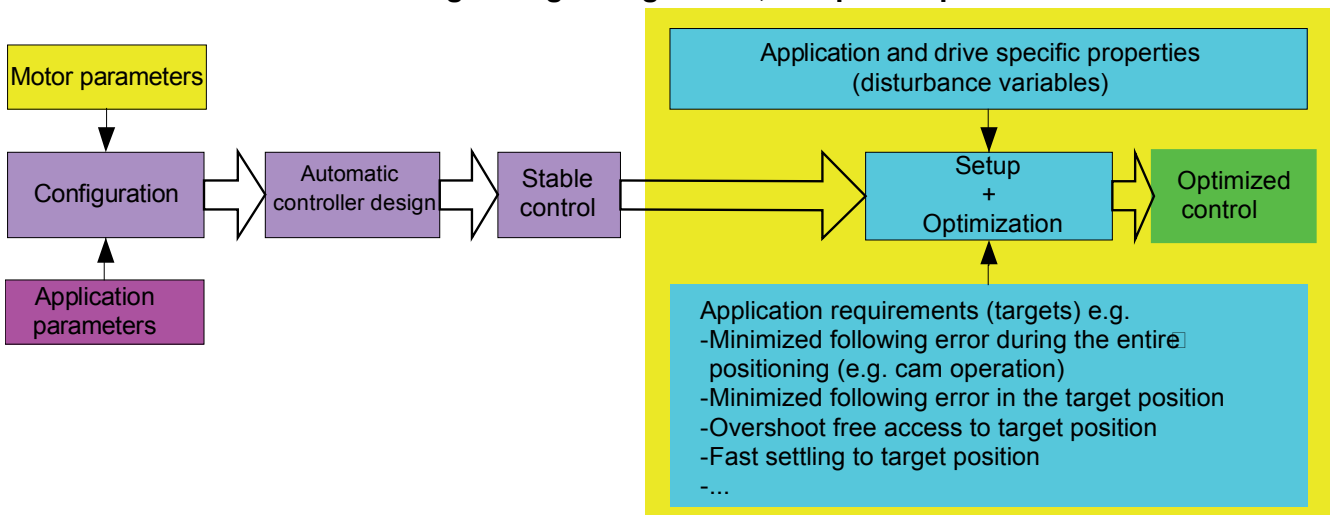
#### Basic structure of a control with the Compax3e servo drive



As shown in the above figure, the programmed motion sequences are generated by the internal Compax3 setpoint generator. The setpoint position as well as the other status values of the feedforward control are made available to the position controller in order to keep the following error as small as possible.

For the control, Compax3 requires on the one hand the actual position and on the other hand the commutation position, which represents the reference between the mechanic feedback position and the motor magnet.

#### Proceeding during configuration, setup and optimization



**Overview of the processes during configuration and setup of the Compax3 drive system**

The controller default settings are calculated from the configured motor and application parameters with the aid of the automatic controller design which runs in the background.

These controller presettings provide normally for a stable and robust control. Due to continually rising application requirements, this presetting is often not sufficient, so that further optimization of the control behavior is necessary.

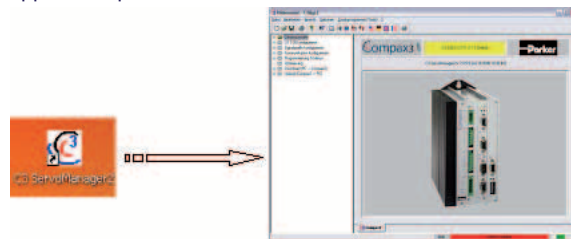
This manual describes the setup and optimization procedure for Compax3.

In order to better understand the correlations and interactions, we will describe in the first step the individual correlations and physical values, that are required for the configuration and the prespecification of the control loops. In the following, the manual will then describe the function blocks for the optimization implemented in the servo drive as well as the setup tool.

**Software for supporting the configuration, setup and optimization**

**In this chapter you can read about:**

Application parameters ..... 174



The entry of the motor and application parameters is made with the C3 ServoManager2 (C3Mgr2.exe):

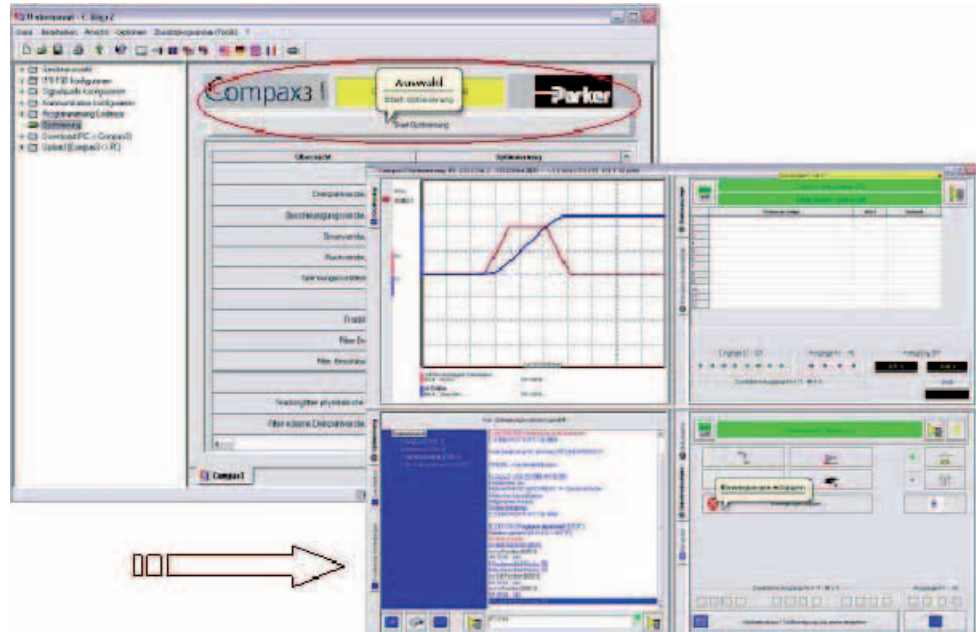
The configuration requires:

**Application parameters**

The wizard guided entry of the application parameters takes place directly in the ServoManager.

**Carefully verify the entries and default values in order to detect entry errors in the run-up.**

After the configuration download, the drive can be set up and be optimized if needs be. For this, please open the optimization window of the ServoManager:



### 4.4.3.2 Configuration

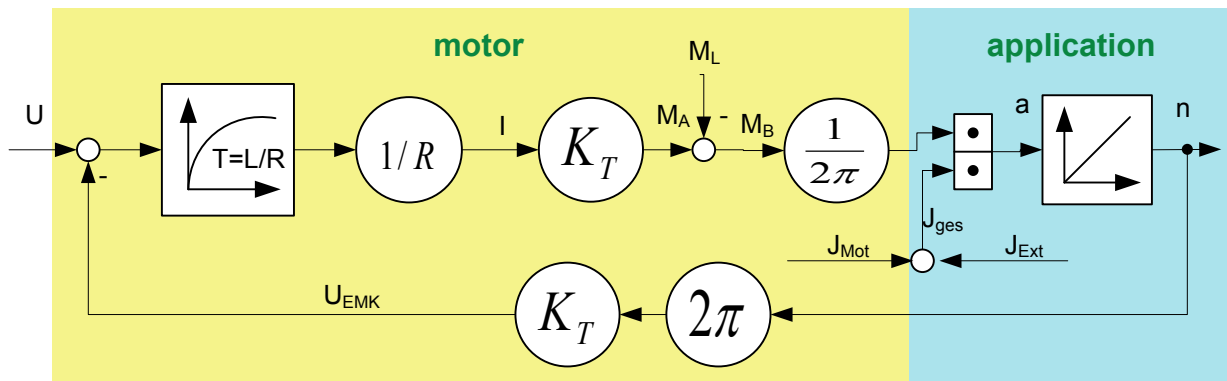
**In this chapter you can read about:**

Control path ..... 175  
 Motor parameters relevant for the control ..... 176  
 Mass inertia ..... 176  
 Nominal point data ..... 176  
 Saturation values ..... 178  
 Quality of different feedback systems ..... 178  
 Typical problems of a non optimized control ..... 179  
 Feedback error compensation ..... 180  
 Commutation settings ..... 181  
 I<sup>2</sup>t - monitoring of the motor ..... 181  
 Relevant application parameters ..... 184  
 Asynchronous motors ..... 187

#### Control path

For the motors, the knowledge of the mathematical model is a prerequisite.

Mathematically idealized model of the control path:



U:	Control voltage
U <sub>EMK</sub> :	electromagnetically generated voltage in the motor
T:	electric time constant of the motor winding
L:	Winding Inductance
R:	Winding Resistance
M <sub>A</sub> :	Drive torque of the motor
M <sub>L</sub> :	Load torque
M <sub>B</sub> :	Acceleration torque
I:	Actual current r.m.s. (torque-producing)
K <sub>T</sub> :	Torque constant
J <sub>mot</sub> :	Motor mass moment of inertia
J <sub>ext</sub> :	external mass moment of inertia
J <sub>total</sub> :	Total mass moment of inertia
a:	Acceleration
n:	Velocity

**Explanation:**

The motor is controlled by the servo drive with control voltage  $U$ . During motion of the motor, an internal back e.m.f.  $U_{EMC}$  is induced. This antagonizes the control voltage and is therefore deduced in the motor model. The difference is available for the acceleration of the motor.

The first order delay component represents the delaying property of the motor winding with the time constant  $T=L/R$ . According to Ohm's Law, a current  $I=U/R$  results.

The drive torque of the motor is calculated by multiplying the current with the motor torque constant  $K_T$ . This is antagonized by the load torque of the machine.

The remaining acceleration torque accelerates the motor.

The resulting acceleration depends on the total mass moment of inertia (= motor + load moment of inertia).

The integration of the acceleration (sum of the acceleration over time) results in the velocity of the motor, which influences the amplitude of the induced EMC voltage.

**Motor parameters relevant for the control**

All motor parameters relevant for the control quality will be explained below.

Wizard guided entry of the motor parameters in the MotorManager.

**Electromotoric countercheck EMC**

A non-energized synchronous motor induces an induction voltage, the so-called EMC voltage during an armature movement.

The EMC constant (motor EMC) states the value of the induced voltage subject to velocity.

The EMC constant corresponds to the motor torque constant  $K_T$ , which represents the correlation between the torque-producing current and the drive torque, however in a different unit.

The EMC voltage antagonizes the control voltage of the servo drive.

As the control voltage of the drive is not unlimited, it must be taken into consideration that the drive may approach the voltage limit at high velocities and therefore high EMC voltages.

The EMC constant is important with respect to the velocity control design.

The motor EMC is entered in the "motor characteristics" wizard window of the MotorManager. You may choose between different units. Please note the information on the motor type specification plate.

**Mass inertia**

The mass moment of inertia (moment of inertia) is also an important motor parameter for the design of the velocity control loop. For the velocity control design, this parameter is effective in correlation with the external mass moment of inertia of the load. The external load is entered in the C3 ServoManager. With the "load identification" function of the C3 ServoManager, the mass inertia can be determined, if it is not yet known.

**Nominal point data****In this chapter you can read about:**

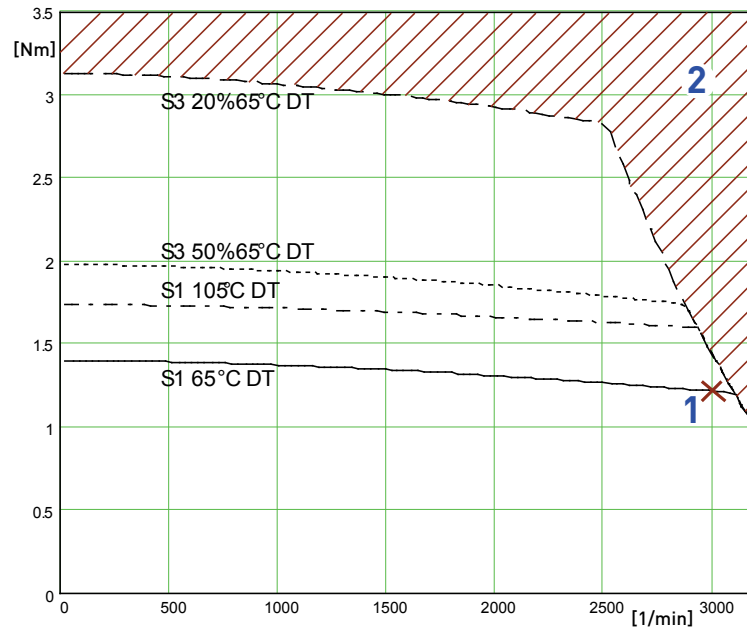
Motor characteristic line of a synchronous servo motor (torque via velocity) .....	177
Calculation of the reference current from the characteristic line. ....	177

The nominal point data can be found in the velocity characteristic line of the motor. The prespecified nominal point can be changed in the 2nd wizard page of the C3 ServoManager configuration with the aid of "activate change of reference point" via the reference velocity and the reference current.



**Motor characteristic line of a synchronous servo motor (torque via velocity)**

SMH 60 30 1.4 ...2ID...4: 3000rpm at 400VAC



- 1: Nominal point
- 2: Forbidden range

**Calculation of the reference current from the characteristic line.**

$$I = \frac{M[Nm]}{EMK} \cdot 85,5 = \frac{M[Nm]}{K_T}$$

or for linear motors

$$I = \frac{M[Nm]}{EMK_v} \cdot \frac{\sqrt{2}}{\sqrt{3}} = \frac{M[Nm]}{K_f}$$

In the MotorManager, a motor can be defined for different operating modes (230V, 400V and 480V) without having to create several entities.

Additional parameters of a motor are:

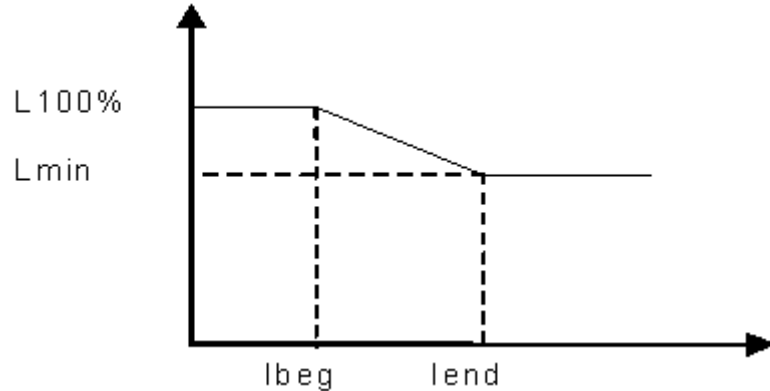
- ◆ Standstill current [mA<sub>rms</sub>]
- ◆ Pulse current [in % of the nominal current]

The pulse current can be provided by the Compax3 for the duration of the pulse current time (as far as the device current permits). The thermal pulse load of the motor rises due to the pulse current. This pulse load is monitored by the i<sup>2</sup>t monitoring in the Compax3.

## Saturation values

A motor may show a saturation behavior at higher currents due to iron saturation. This results in the reduction of the winding inductance at higher currents. As the inductance value of the winding enters directly into the P term of the current controller, the saturation at higher currents will result in too fast current control. This behavior can be counter steered with saturation values (entered in the "motor characteristics" wizard window of the MotorManager).

### Consideration of the saturation values with the aid of a linear characteristic line



L 100%	Entered value of the nominal inductance
Lmin	Minimum winding inductance [% of the nominal inductance]. Value to which the inductance of the winding sinks at Ifinal.
Ibeg	End of the saturation [% of the nominal inductance].
Ifinal	Beginning of the saturation [% of the nominal inductance].

For the determination of the saturation values please see chapter 0 (see on page 233, see on page 233).

## Quality of different feedback systems

### In this chapter you can read about:

Interface .....	178
Resolution .....	179
Noise .....	179

The controller quality depends to a great extent on the signal quality of the position feedback and its signal acquisition. It is therefore important to select a suitable measurement system for the individual application.

In the rotary range, a resolver is mostly used for reasons of economics. The single pole resolver provides one sine/cosine period per revolution. In very demanding applications, the performance of the resolver is often not satisfactory, so that a SinCos feedback with a higher resolution must be used. The typical resolution of a SinCos feedback is 1024 periods/revolution.

Other position feedbacks which are often used in the linear range, differ with respect to the reading principle. High-quality optical position measuring systems offer the highest resolution and accuracy.

### Interface

An additional distinctive feature is the electric interface between servo drive and feedback. Analog sine/cosine signals or digital encoder signals (RS422 standard) are used to transmit the incremental position information. Due to the high interpolation rate (approx. 14 bits) of the Compax3 servo controller, an analog sine/cosine signal is in most cases preferable to digital encoder signals.

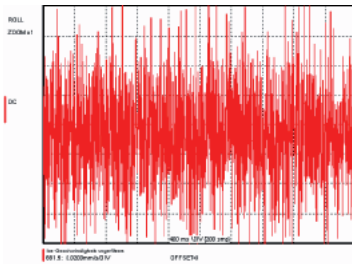
**Resolution**

The less precise the resolution, the higher the quantization noise on the velocity signal.

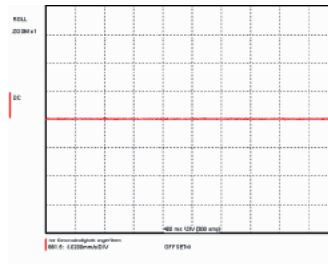
**Noise**

The feedbacks have different levels of analog noise, which have a negative effect on the control. The noise can be dampened with the aid of filters in the actual value acquisition, however at the cost of the controller bandwidth.

For comparison, the noise of the actual velocity value at standstill of two different feedbacks is displayed.



Resolver: 1 period/revolution



SinCos: 1024periods/revolution

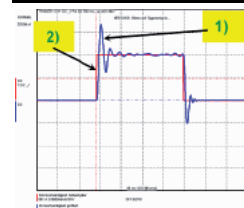
**Typical problems of a non optimized control**

In this chapter you can read about:

Too high overshoot on velocity ..... 179  
 Increased following error ..... 179  
 Instable behavior ..... 180

Upon first setup of a control, the controller is normally not able to meet all application requirements at once. Typical problems may be:

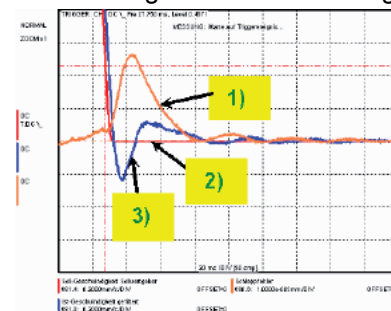
**Too high overshoot on velocity**



- 1) Actual velocity
- 2) Setpoint velocity

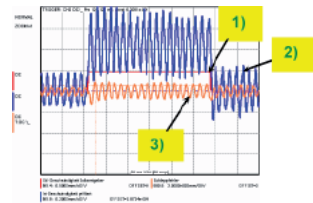
**Increased following error**

Increased following error when approaching the target position or the reduction of the following error takes too long



- 1) Following error
- 2) Setpoint velocity
- 3) Actual velocity

**Instable behavior**



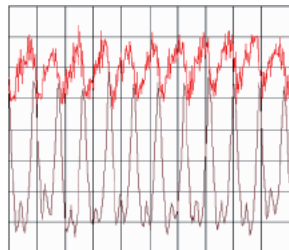
- 1) Setpoint velocity
- 2) Actual velocity
- 3) Following error

**Feedback error compensation**

Feedbacks with sine/cosine tracks may have different errors. The feedback error compensation supported by Compax3 eliminates offset and gain errors on both tracks online.

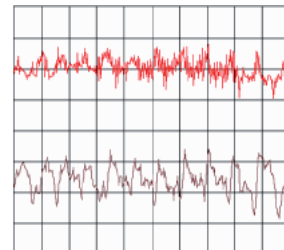
The feedback error compensation is activated in the MotorManager: "Feedback system" wizard under "feedback error compensation".

Without compensation



top: Actual current value  
bottom: Actual speed value

With compensation



Scale:  
Current = 50mA/Div  
Speed = 0.2mm/s/Div  
Time = 3.8ms/Div

- Type of motor: Parker LMDT 1200-1 ironless linear motor
- Linear encoder: Renishaw RGH 24B with 20µm resolution
- Servo drive: Compax3

In order to accept the changes in the MotorManager in the project, the individual configuration pages must be clicked through. In order to make the changes made in the MotorManager effective in the device, the configuration download in the C3Manager must be executed.

In the event of formal errors, the feedback error compensation may however be disadvantageous; therefore it is switched off as a default.

## Commutation settings

Another prerequisite for a good control quality is the correct motor commutation. This comprises several settings.

- ◆ The commutation angle describes the relation of the feedback position with respect to the motor pole pair position.
- ◆ Commutation direction reversal describes the correlation between the position of the feedback and the commutation position.
- ◆ Feedback direction reversal describes the direction correlation between the defined positive direction of the drive and the feedback position.
- ◆ If the commutation direction does not match the defined direction of rotation, this will result in a subsequent error with the error message "following error" or "motor stalled".
- ◆ A faulty commutation angle value results in increased current and following error. Therefore the voltage limit is reached faster. If the value of the commutation error exceeds 90°, the motor will spin due to the positive feedback effect.

These 3 settings can be automatically acquired with the MotorManager.

With the aid of the automatic commutation acquisition, the commutation settings can be determined and plausibility checks can be made. You will be guided through the individual wizard pages and the MotorManager will issue a prompt to define the positive direction of the drive. The wizard pages supporting the user depend on the feedback system as well as from the motor type (linear or rotary).

This function is activated in the MotorManager:

"Feedback system" wizard under "automatic commutation settings".

**Hint** The motor should be operated without load (=> no load torque e.g. weight force of a z-axis).

Additional setting of the commutation for incremental feedback:

This function is activated in the MotorManager:

"Feedback system" wizard under "feedback resolution".

In the event of an incremental feedback (Sine/cosine or RS424 encoder) the commutation must be defined in addition, in order to find the position reference to the winding.

- ◆ Automatic commutation with movement
- ◆ Commutation with digital hall sensors

## I<sup>2</sup>t - monitoring of the motor

### In this chapter you can read about:

Motor continuous usage .....	182
Motor pulse usage .....	183
Reference point 2: Increased torque thanks to additional cooling.....	184

With the I<sup>2</sup>t - monitoring, the motor is protected against overload or thermal destruction. For this, knowledge on the load bearing capacity of the motor is required. This information can be taken from the manufacturer documentation (motor parameters). Compax3 monitored:

- ◆ Continuous usage of the motor (motor usage)
- ◆ Pulse usage of the motor (motor pulse usage)

**Motor continuous usage**

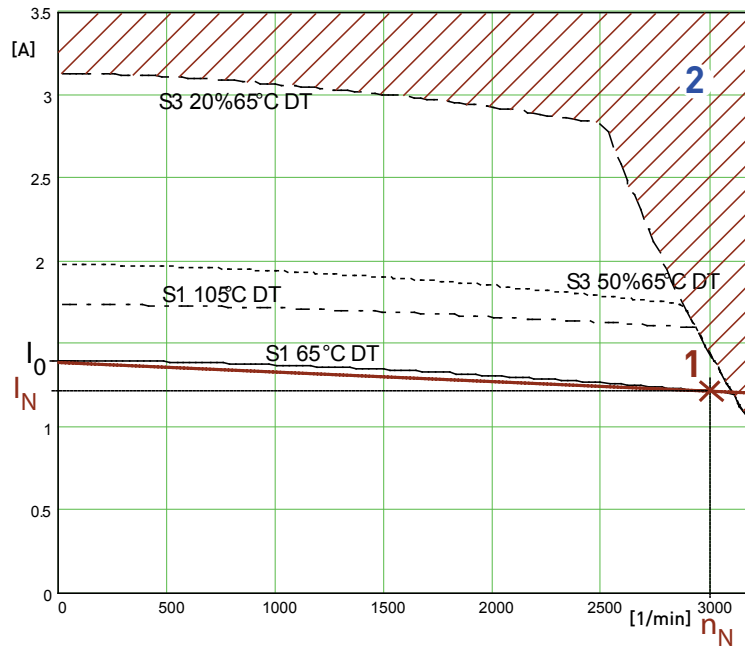
**In this chapter you can read about:**

Linearized motor characteristic line for different operating points ..... 182

This kind of monitoring watches over the continually deliverable torque (continuous current). This continuous current depends on the velocity and is acquired online from the linearization of the motor characteristic line.

**Linearized motor characteristic line for different operating points**

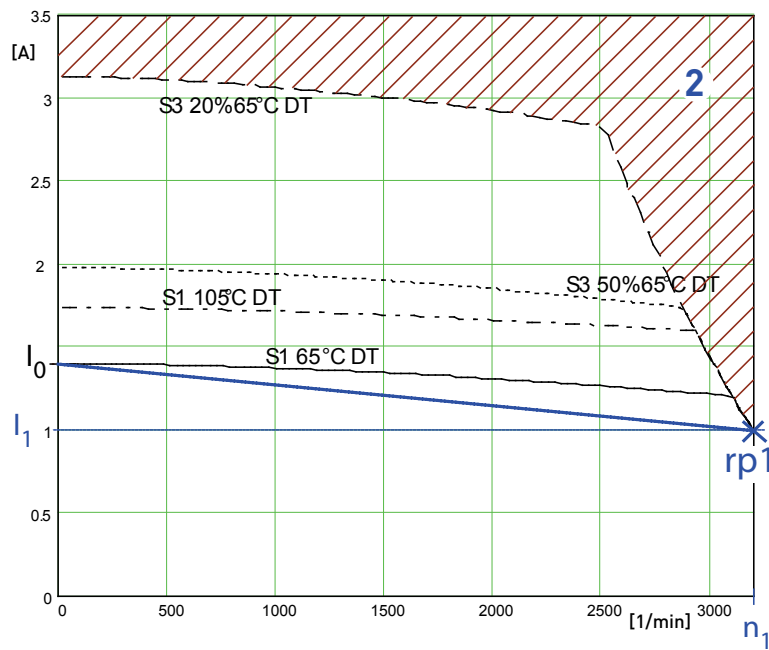
**Nominal point**



- $I_0$ : Standstill current
- 1: Nominal point
- $I_N$ : Nominal current (defined in the MotorManager)
- $n_N$ : Nominal Speed
- 2: Forbidden range

For monitoring the continuous utilization, the linearized characteristic line between  $I_0$  und  $I_N / n_N$  is used as a threshold.

**Reference point 1: higher velocity at reduced torque**



$I_0$ : Standstill current

rp1: Reference point 1 (defined in the C3 ServoManager)

$I_1$ : Reference current to reference point 1

$n_1$ : Reference velocity to reference point 1

2: Forbidden range

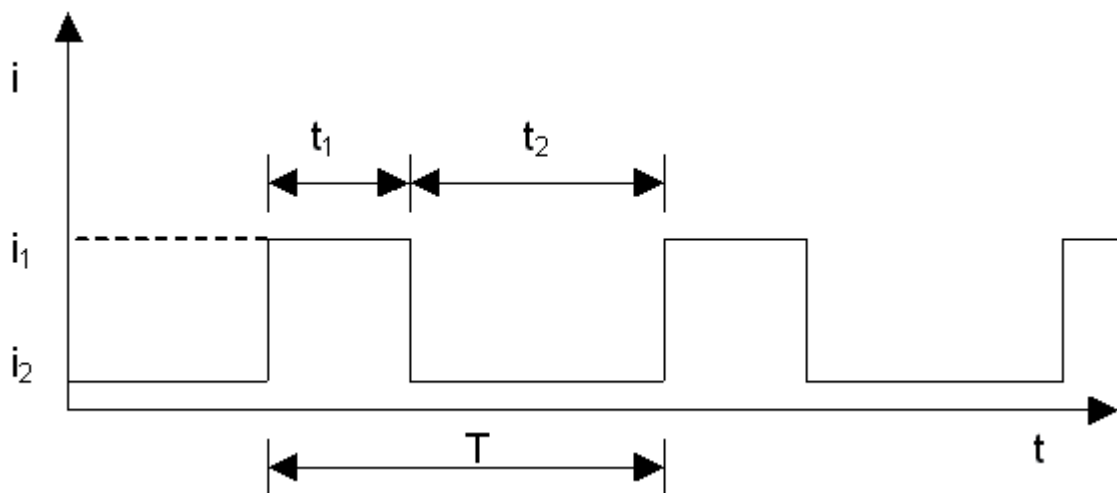
For monitoring the continuous usage, the linearized characteristic line between  $I_0$  and  $I_1 / n_1$  is used as a threshold.

**Motor pulse usage**

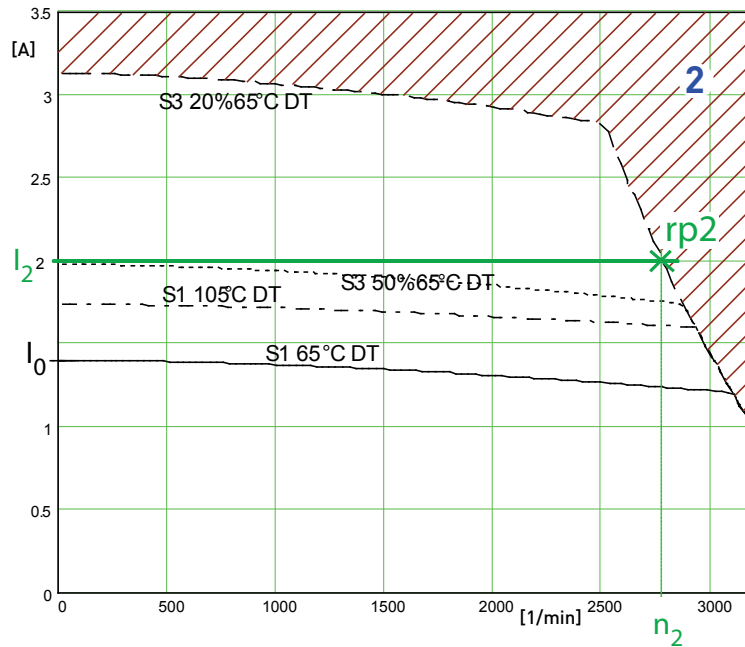
This monitoring watches over the duration of the defined pulse current. The permitted duration for the pulse current is defined by the pulse current time constant.

If the acceleration current exceeds the nominal current for a defined time  $t_1$ , a sufficient break time  $t_2$  is required. If the current remains in average above the nominal current, the "monitoring motor pulse usage" [0x7180] error is triggered. Upon a high pulse usage, the error will occur almost without delay.

**Current cycle:**



**Reference point 2: Increased torque thanks to additional cooling**



- $I_0$ : Standstill current
- 1: Nominal point
- rp2: Reference point 2 (defined in the C3 ServoManager)
- $I_2$ : Reference current to reference point 2
- $n_2$ : Reference velocity to reference point 2
- 2: Forbidden range

In order to monitor the continuous usage, the velocity-idenpendent current limit  $I_2$  is used.

If a r.m.s. current over the valid straight flows continually in the motor, the  $I^2t$  monitoring will issue the "effective motor current monitoring" error message [0x5F48]. The period of time until the error occurs depends on the thermal time constant of the motor defined in the motor parameters. The electronic temperature monitoring simulates approximately the temperature behavior of the motor. By defining a reference point different from the motor nominal data, the  $I^2t$  monitoring of the motor can be adapted to changed thermal ambient conditions (e.g. air stream caused by a ventilator fan).

**Relevant application parameters**

In this chapter you can read about:

Switching frequency of the motor current / motor reference point.....	184
External Moment of Inertia.....	187
Limit and monitoring settings .....	187

Application parameters relevant for the control (C3 ServoManager)

Compax3 is configured with the aid of the C3 ServoManager. Here you can make application dependant settings. Among these are also parameters, that are relevant for the control. They will be explained below.

**Switching frequency of the motor current / motor reference point**

In this chapter you can read about:

Following Error (Position Error).....	185
Reduction of the current ripple.....	185
Motor parameters .....	185
Changing the switching frequency and the reference point .....	186

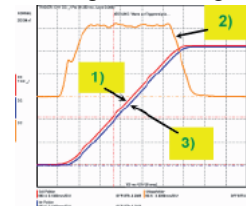
The higher the switching frequency, the better the quality of the current control. The higher switching frequency reduces the dead time of the current control path as



well as the current control noise. Furthermore, thermal losses caused by current ripple are reduced at higher switching frequencies.

**Following Error (Position Error)**

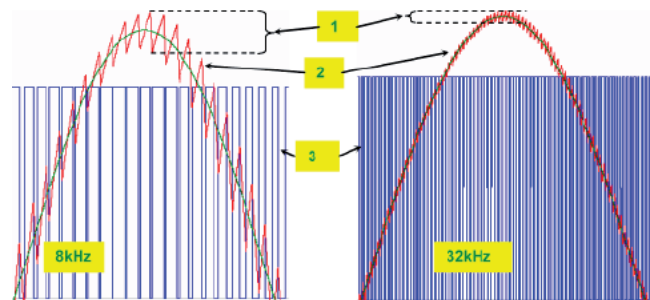
Too high following error (position error) during a movement



- 1) Setpoint Position
- 2) Position deviation = following error
- 3) Effective position

**Reduction of the current ripple**

Reduction of the current ripple of the phase current due to the higher switching frequency



- 1: Current ripple
- 2: Phase current
- 3: PWM control

**Hint** Please note that a high switching frequency means also high switching losses in the power output stage of the controller. For this reason, you must consider derated data of the servo controller for the drive design with higher switching frequencies.

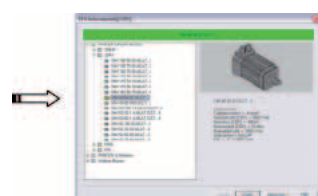
**Motor parameters**

In this chapter you can read about:

Parker Motor.....	185
Other motor .....	186
Motor types supported.....	186

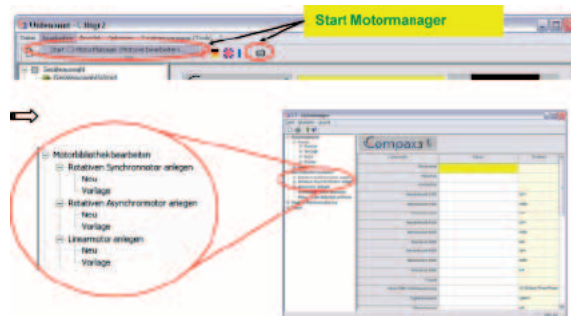
**Parker Motor**

If a Parker motor is used for the application, the parameters are already contained in the installed software. You can just select one of the available motors from the first configuration page.



**Other motor**

When using a motor from a different manufacturer, you will have to enter the relevant data. This process is supported by the MotorManager software tool, which can be called up from the ServoManager:



After double clicking on "new", the individual motor parameters are queried by the MotorManager.

**Be careful to respect the units of the individual parameters when making your entries!**

Furthermore you can use the MotorManager to edit motors already available. In addition, the import and export of motor data entities in XML format is supported.

**Motor types supported**

Compax3 supports the following motor types:

- ◆ Permanently excited synchronous rotary motors
- ◆ Permanently excited synchronous linear motors
- ◆ Asynchronous rotary motors

In general, rotary and linear motors do have the same signal flow chart. The difference consists solely in the basic physical values, which refer to circular movement resp. the linear motion laws of physics. For this, the following analogies can be established:

Rotary drive [unit]		Linear drive [unit]	
Travel x	[rev]	Path x	[m]
Mass moment of inertia J	[kgm <sup>2</sup> ]	Mass m	[kg]
Velocity n	[rps]	Velocity v	[m/s]
Angular velocity ω	[1/s]		
Torque constant Kt	[Nm/Arms]	Force constant KF	[N/Arms]
Torque M	[Nm]	Force F	[N]

**For reasons of clarity, we will in the following refer to the rotary motor, which will represent both drive types.**

An asynchronous motor is set up in the same way as a synchronous motor. The only differences are varying motor parameters.

**Changing the switching frequency and the reference point**

The switching frequency and the reference point are activated in the ServoManager: "Motor reference point" wizard

A reference point differing from the nominal data may also be entered on the wizard page displayed above.

Please activate "activate changing the reference point", then you may enter the new reference velocity as well as the new reference current.

**Motor reference point**

A reference point differing from the nominal data may also be entered on the wizard page displayed above.

Please activate "activate changing the reference point", then you may enter the new reference velocity as well as the new reference current.

**External Moment of Inertia**

The external mass moment of inertia is set against the moment of inertia of the rotor to form the total moment of inertia. The total moment of inertia is used for the controller design.

If you do not know or have only a vague knowledge of the external mass moment of inertia, the mass inertia can be determined via the load identification.

**Configuration of an unknown external mass inertia:**

The load identification is activated in the ServoManager:

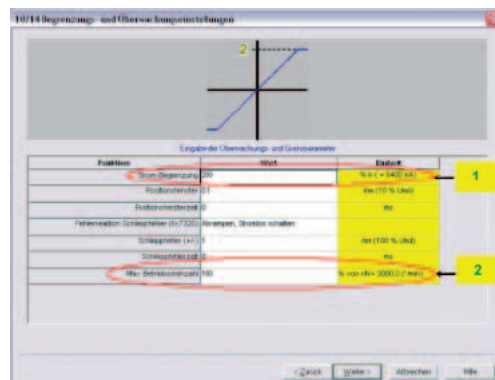
Wizard "External moment of inertia" "unknown: Using default values".

The correct values can be determined later via the load identification!

**Limit and monitoring settings**

On the "limit and monitoring settings" wizard page, you can set among others the current and velocity limits in % of the nominal values. The nominal values are motor parameters resulting from the motor library or from shifting the reference point on the "motor reference point" wizard page.

**Limit and Monitoring Settings wizard page:**



1: Current (Torque) Limit

2: Velocity limit

**Asynchronous motors**

**In this chapter you can read about:**

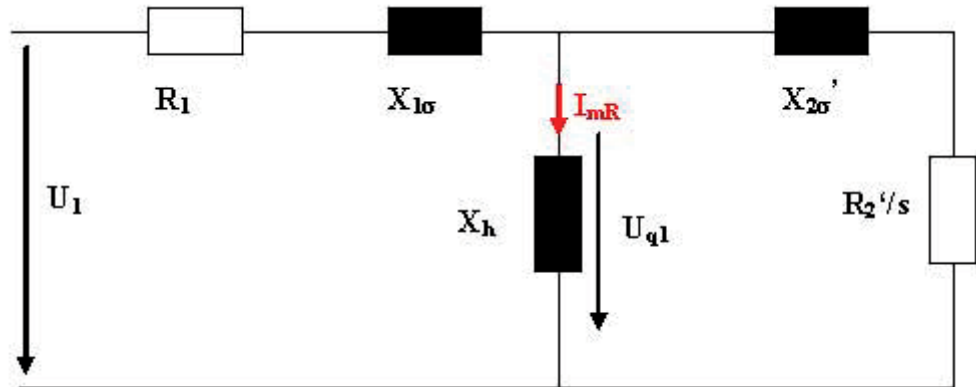
Type specification plate data ..... 187  
 Replacement switching diagram - data for a phase..... 188  
 Slip Frequency ..... 188  
 Saturation behavior ..... 189  
 Cut-off frequency for the field weakening range ..... 189  
 Rotor time constant ..... 189  
 Determination of the commutation settings ..... 190  
 Asynchronous motors: Extension of the controller structure..... 190

**Type specification plate data**

On the 2nd. wizard page of the Compax3 MotorManager, the type specification plate data must be entered.

**Replacement switching diagram - data for a phase**

This data can be obtained from the manufacturer or be determined by measurement.



U1:	Nominal phase voltage
R1:	Stator leg resistance
$X_{1\sigma}=2\pi fL_{1\sigma}$ :	Leak reactance (for f=50Hz mains frequency)
$L_{1\sigma}$ :	Stator leakage inductance
$X_h=2\pi fL_h$ :	Main reactance (for f=50Hz mains frequency)
$L_h$ :	Main field inductance
$X_{2\sigma'}=2\pi fL_{2\sigma}$ :	Referenced leak reactance (for f=50Hz mains frequency)
$L_{2\sigma}$ :	Rotor leak inductance
$R_{2'}$ :	Referenced carriage resistance
$I_{mR}$ :	Magnetization Current

**Slip Frequency**

The slip frequency is stated in [Hz electrical] or in [%] and can be determined as follows

$$f_2[\text{mHz (electrical)}] = (f_s \cdot 60 - N_{\text{Nominal}} \cdot P/2) / N$$

$$f_2[\text{mHz}(el.)] = \frac{f_s \cdot 60 - N_{\text{Nenn}} \cdot \frac{P}{2}}{f_s \cdot 60} \cdot f_s \cdot 1000 = \left( f_s - N_{\text{Nenn}} \cdot \frac{P}{120} \right) \cdot 1000$$

$$f_2[\text{Promille}] = \frac{f_s \cdot 60 - N_{\text{Nenn}} \cdot \frac{P}{2}}{f_s \cdot 60} \cdot 1000$$

$$\frac{f_s \cdot 60 \cdot 2}{N_{\text{Nenn}}}$$

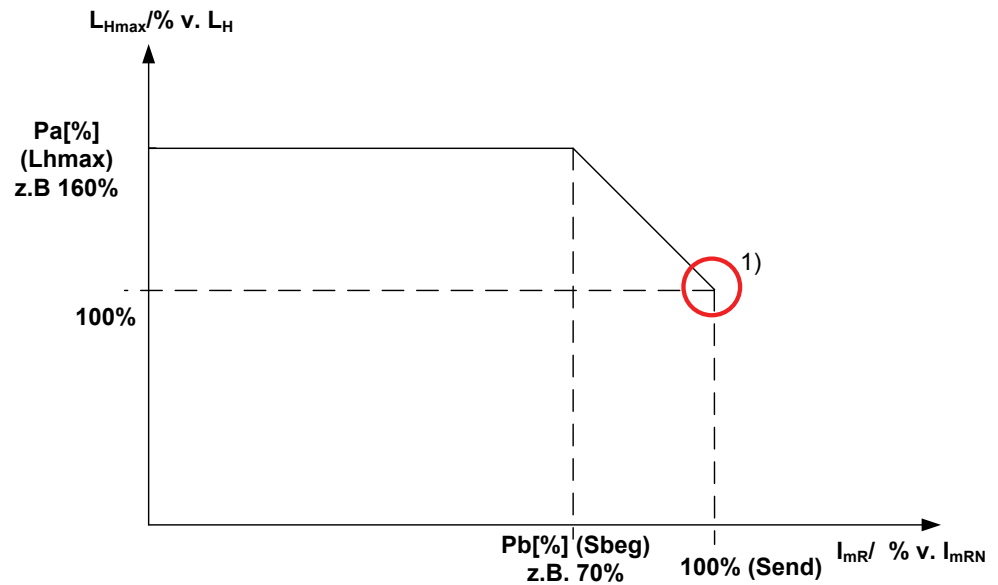
Whereas P = value before the point of the term è

- $f_s$ : Synchronous nominal frequency (dimensioning base)
- $N_{\text{Nom}}$ : Nominal speed in rpm
- $f_2$ : Slip frequency in mHz (electrical)

**Saturation behavior**

The saturation of the main field inductance can be considered with the help of the following characteristic.

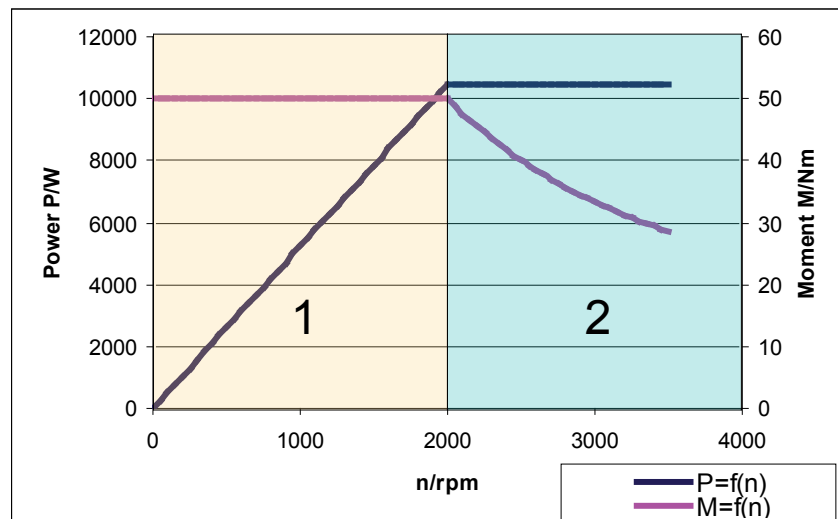
Activate the "consider saturation values" checkbox.



- 1) Nominal point in the basic speed range
- Lhmax: max. main field inductance
- Sbeg: Beginning of Saturation
- Send: End of Saturation

**Cut-off frequency for the field weakening range**

The statement of the cut-off speed defines the beginning of the field weakening operation. From the cut-off speed on, the magnetization current and thus the force constant of the motor are reduced inversely proportional to the speed; the motor is operated in the field weakening range. In the field weakening range, the shaft power produced remains constant.



- 1: Basic speed range
- 2: Field weakening range

**Rotor time constant**

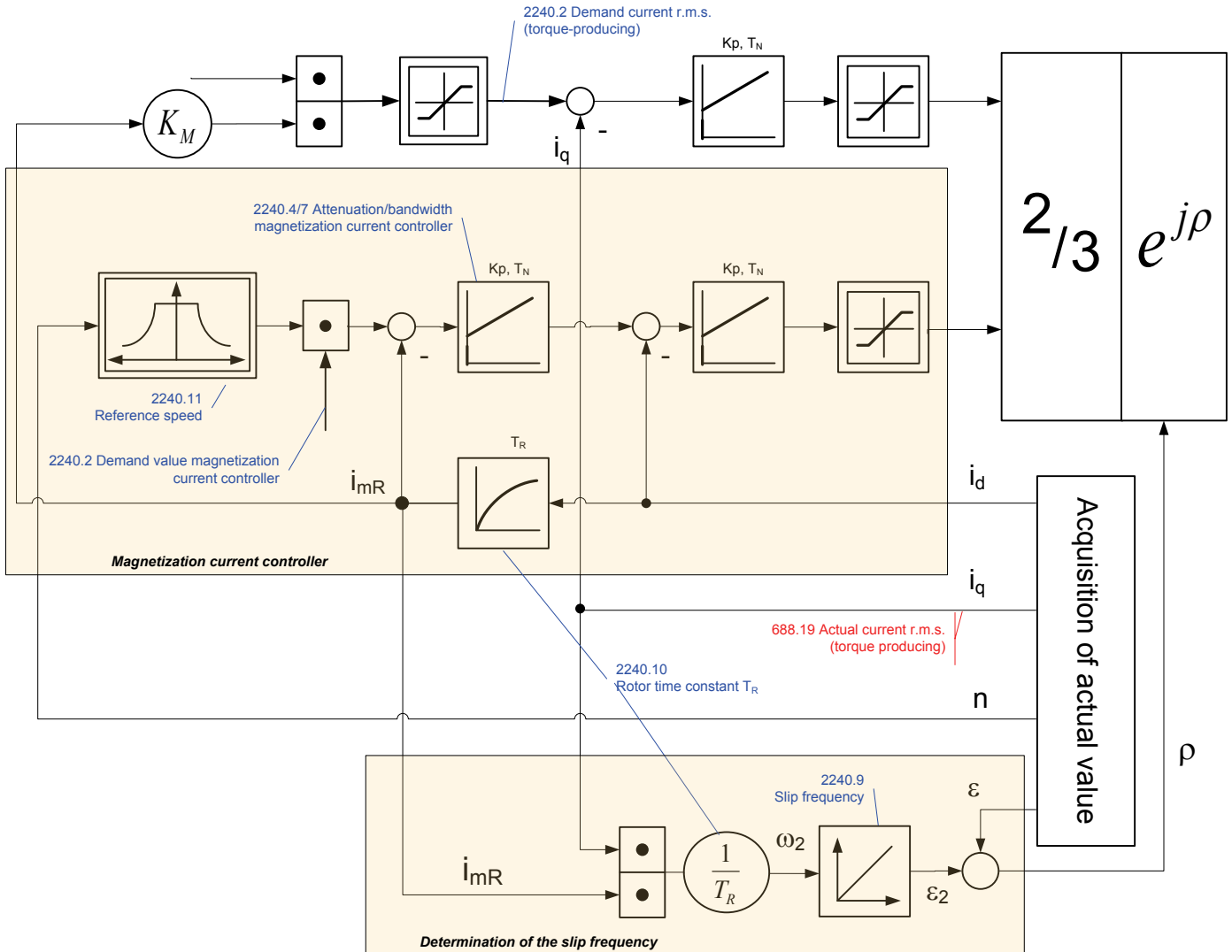
If the value of the rotor time constant is not known, it can be approximated automatically.

**Determination of the commutation settings**

On the last wizard page of the Compax3 MotorManager, the commutation settings (feedback direction reversal and commutation direction reversal) can be determined automatically.

**Asynchronous motors: Extension of the controller structure**

**Structure of the magnetization current controller and determination of the slip frequency:**



### 4.4.3.3 Automatic controller design

**In this chapter you can read about:**

Dynamics of a control .....	191
Cascade control.....	198
Rigidity .....	198
Automated controller design .....	200
Controller coefficients .....	202

#### Dynamics of a control

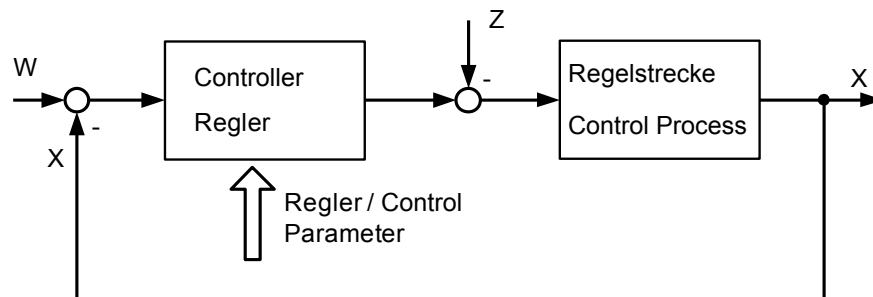
**In this chapter you can read about:**

Structure of a control .....	191
Oscillating plant .....	191
Stability, attenuation .....	191
Velocity, bandwidth.....	192
Setpoint and disturbance behavior of a control loop.....	195
Response .....	197
Limitation behavior .....	197

A change in the input value of a dynamic transmission element causes a change of its output value. The change of the output value is however not immediately effective, but takes a certain time, the transient response. The course of the transient response is characteristic for certain kinds of transmission behavior.

For this reason, a complete description of the transmission properties of a control comprises the stationary behavior (all setpoint, actual and disturbance values in settled state), as well as the dynamic behavior.

#### Structure of a control



The basic task of a control is the generation and maintaining of a desired state or sequence in spite of interfering disturbances. It is essential that the effects of the disturbances are balanced with the correct force and at the correct time. In the above figure, the setpoint value  $W$  represents the desired state and the disturbance value  $Z$  represents the interfering disturbance. The actual value  $X$  represents the generated and maintained state.

#### Oscillating plant

Oscillating control paths are control paths that respond with attenuated or unattenuated oscillation to an abrupt change in the setpoint value. Part of this class are for instance:

- ◆ Linear actuators with toothed belts, as a toothed belt represents an elasticity.
- ◆ A mechanic shaft with an external mass moment of inertia, as the shaft represents an elasticity due to its torsional properties.

In general this kind of elasticity is due to a high ratio between  $J_{Load}/J_{Motor}$ , as the shaft is normally not designed for this high external load and which may lead to a considerable distortion.

#### Stability, attenuation

**In this chapter you can read about:**

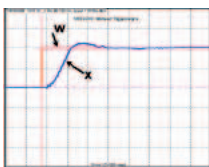
Stability problem in the high-frequency range: .....	192
Stability problem in the low-frequency range:.....	192

In general, two stability problems may occur in a servo drive control:

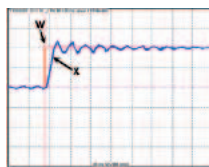
**Stability problem in the high-frequency range:**

The "control structure" figure shows that the reverse effect in the control loop (negative feedback) is a prerequisite for the functioning of a control system. Due to the delay in signal transmission, the effect of the negative feedback is diminished or even compensated. The reason is that the corrective measures of the controller are also delayed in the event of delayed signal transmission. This results in a typical oscillating course of the control variable. In the worst case, the deviation of the control variable and the effect of the corrective measures get in phase, if the delays reach a defined value. The negative feedback passes into positive feedback. If the product of the gain factors of all control loop components is higher than 1, the oscillation amplitude will continually rise. In this case the control loop is unstable. In the total gain of 1 the oscillation keeps its amplitude and the control loop is within the limits of stability. The transient response can be characterized by the attenuation and the transient time (velocity).

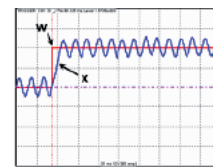
**Step response of a stable controller and of a controller approaching the stability limit**



Rugged  
Well attenuated



Rugged  
Poorly attenuated



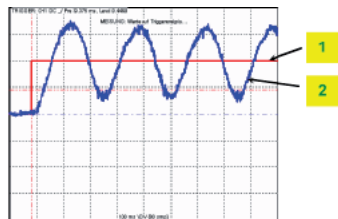
Stability limit  
not attenuated

W: Setpoint value  
x: Actual value

**Stability problem in the low-frequency range:**

In this case the controller was set for a very inert control path, while the actual control path is much more dynamic. The controller reacts to a disturbance variable with a much too strong corrective measure so that the disturbance variable is overcompensated and even an increasing oscillation may be the result. In this case the mechanic system of the control path may be destroyed.

**Velocity jerk response (low-frequency stability limit)**



1: Setpoint speed value  
2: Actual speed value

**Velocity, bandwidth**

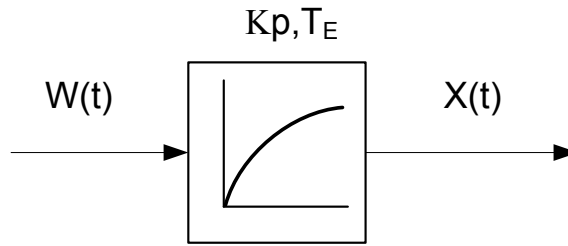
**In this chapter you can read about:**

P-TE - Symbol ..... 193  
 Step response of a delay component..... 193  
 Approximation of a well-attenuated control loop..... 193  
 Frequency response of the P-TE component (value and phase)..... 195

A well attenuated control loop can, under certain conditions, be approximated in order to simplify the controller design with a first order delay component (P-TE component) with the replacement time constant TE and the total gain Kp. A P-TE component represents a first order delay component and is a simple dynamic basic component.

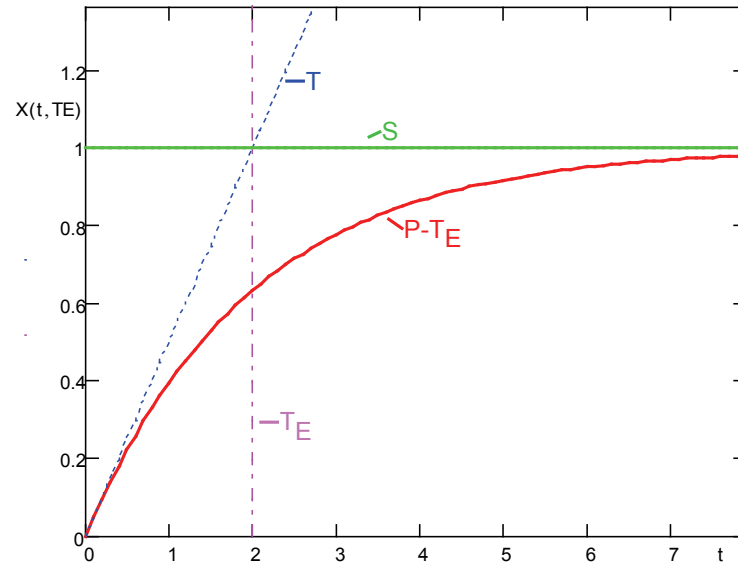


**P-TE - Symbol**



**Step response of a delay component**

Step response of a first order delay component with  $K_p=1$  and  $T_E=2.0s$



T: Tangent

S: Input jerk

P-TE: Output value of the P-TE component

TE: Time constant of the P-TE component

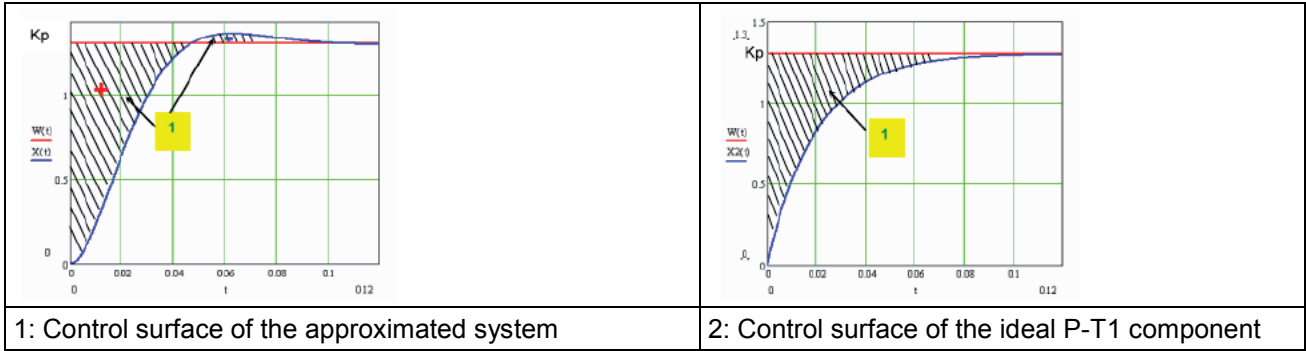
The definition of the delay time constant is displayed in the above figure. The time of intersection of the tangent and the jerk function itself is by definition the delay time constant (called filter time constant for filters) of a P-TE component. At this point in time the value of the step response is approx. 63% of the final value. In practice the step response corresponds, for instance, to the voltage charge curve of a capacitor.

**Approximation of a well-attenuated control loop**

The approximation of a well-attenuated control loop is based on the sameness of the control surface of the ideal first order delay component (P-T1 component) and the approximated system (P-TE component).

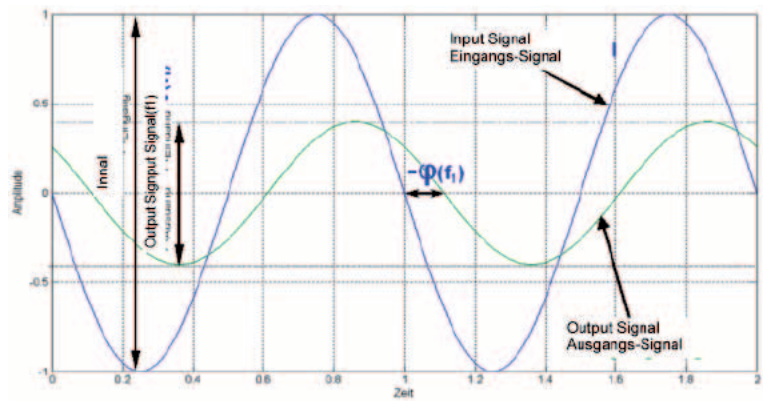
The control surface is a measure for the velocity of a system and is defined in the following figure. If the surface of the approximated system corresponds to the surface of the ideal system, the approximated system can be described, up to a certain frequency, with the transmission function of the P-T1 component.

**Determination of the control surface from the transmission behavior of a P-TE component.**



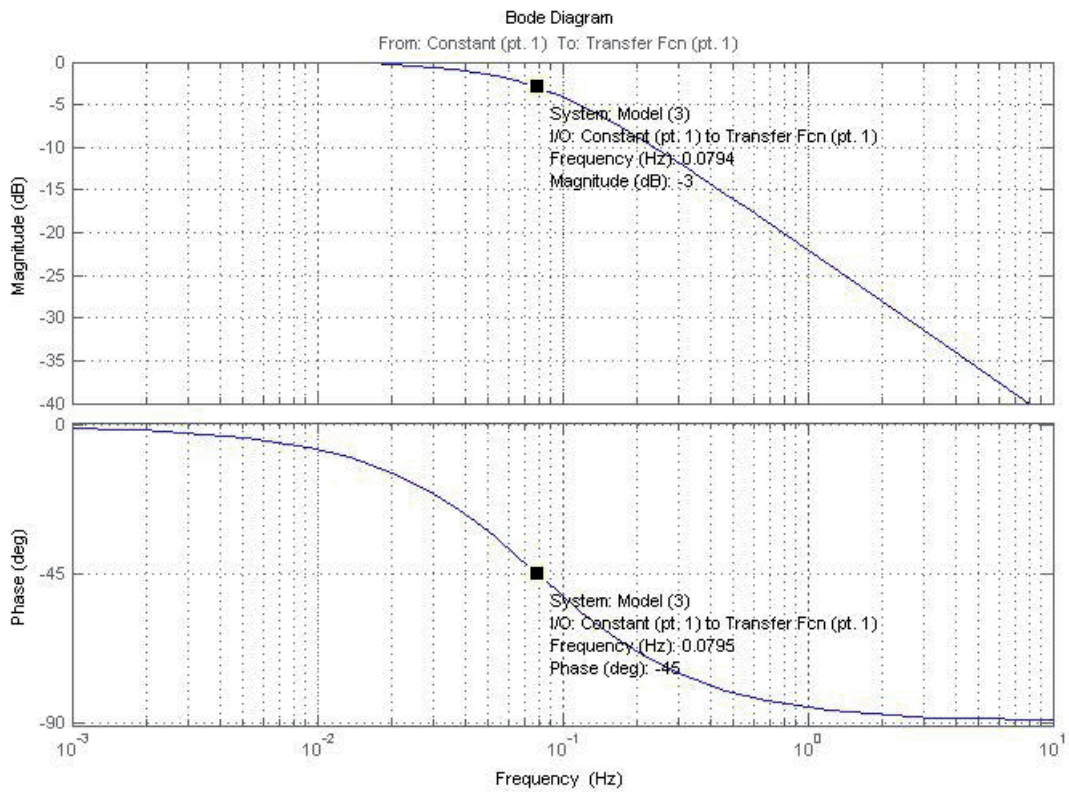
The velocity of a dynamic system can also be described in the frequency range. In the frequency range, the system behavior is analyzed to sinusoidal inputs signals of different frequencies (frequency response).

Input and output signals of a dynamic transmission component at a defined frequency  $f=f_1$



The bode diagram represents the behavior of a dynamic system (in our case of the P-TE component) against the input signal frequency with respect to amplitude and phase.

**Frequency response of the P-TE component (value and phase)**



$$f_0 = \frac{1}{2\pi \cdot T_E} = 0,0795 Hz$$

The cut-off frequency is the frequency where the input signal is attenuated by 3dB (-3dB attenuation). The phase shift between the output and the input is -45° at this frequency. Precisely this cut-off frequency is called the bandwidth of a control loop.

**Setpoint and disturbance behavior of a control loop**

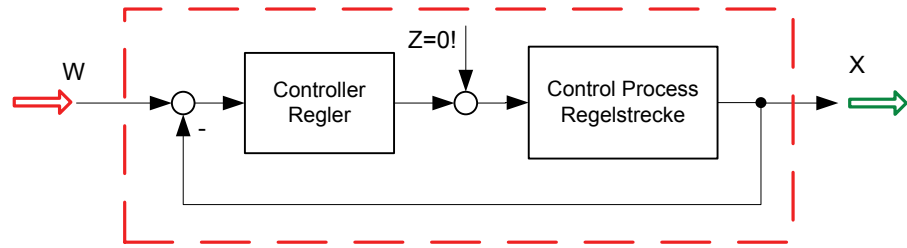
In this chapter you can read about:

Demand behavior .....	195
Disturbance behavior .....	196
Test functions .....	196
Characteristics of a control loop setpoint response .....	197

The setpoint behavior is the behavior of the control loop for the setpoint variable W. We assume that the disturbance variable Z=0.

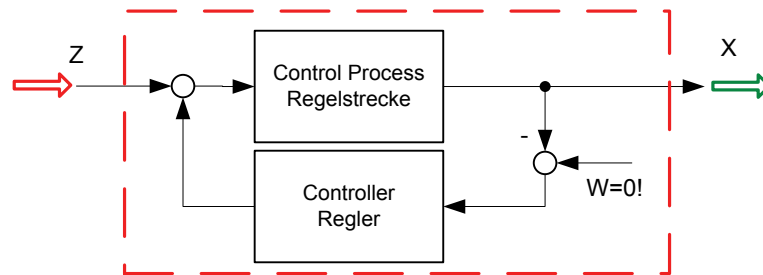
The disturbance behavior describes the behavior of the control loop for disturbance variable Z. In this case, we assume, in analogy to the setpoint behavior, that the setpoint variable W=0.

**Demand behavior**



W: Setpoint value  
 X: Actual value  
 Z: Disturbance variable

**Disturbance behavior**

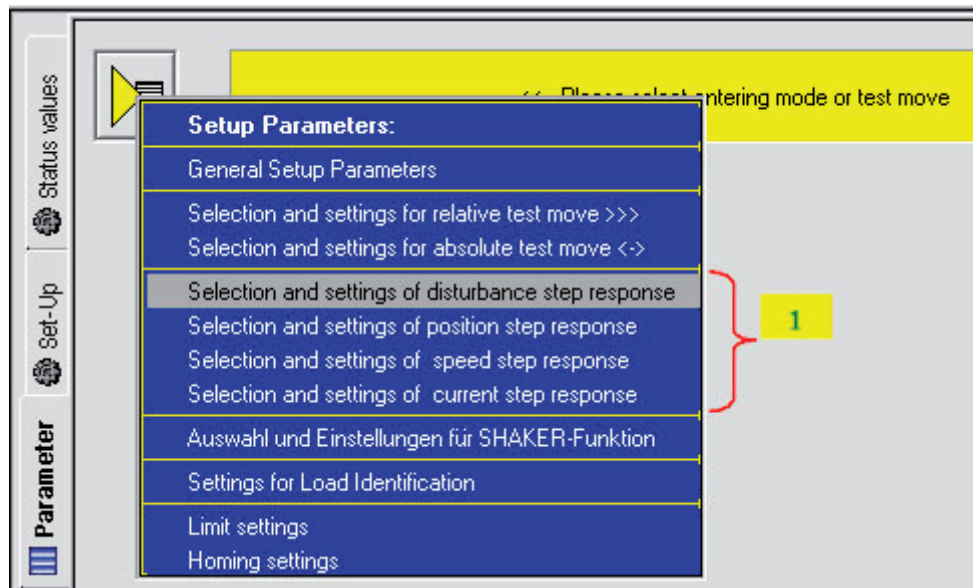


W: Setpoint value  
 X: Actual value  
 Z: Disturbance variable

In order to examine the disturbance and setpoint behavior, the Compax3 setup software offers 4 jerk functions.

**Test functions**

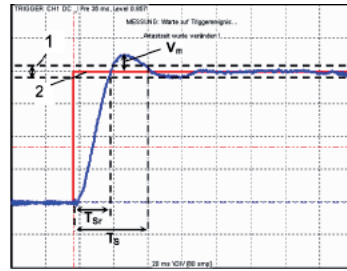
Test functions for the analysis of disturbance and setpoint behavior of the control loops



1: 4 jerk functions

The properties of the setpoint behavior of the velocity controller can be acquired from the velocity jerk response.

### Characteristics of a control loop setpoint response

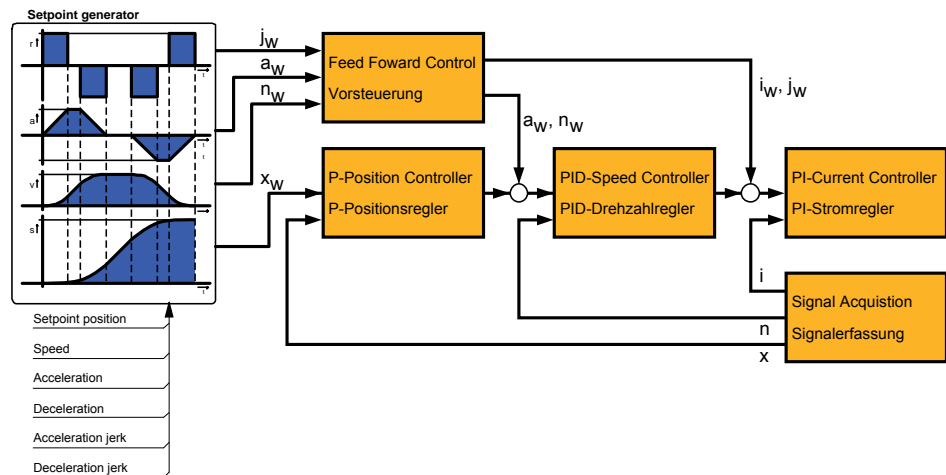


$T_{sr}$ :	Response time. (Time elapsing until the control variable reaches one of the $\pm 5\%$ tolerance limits for the first time)
$T_s$ :	Settling time. (Time elapsing until the control variable ultimately enters the $\pm 5\%$ range)
$V_m$ :	maximum overshoot width
1	Tolerance range $\pm 5\%$
2	Setpoint value

### Response

The response of the controller is the behavior of the actual value with respect to the calculated profile of the setpoint generator. The kinematic status variables, speed, acceleration and jerk are fed into the cascade as feedforward signals. The feedforward signals work with calculated factors and contribute to an improved contour constancy due to the minimization of the following error.

### Compax3 servo controller structure



- x: Position actual value
- x<sub>w</sub>: Setpoint position value
- a<sub>w</sub>: Acceleration setpoint value
- n: Actual (rotational) speed
- n<sub>w</sub>: Velocity setpoint value
- i: Actual current value
- j<sub>w</sub>: Jerk setpoint value

### Limitation behavior

Each control variable is limited by the control (actuating) element. If the control variable demanded by the controller is within the linear range (without limitation), the control loop shows the behavior defined by the design. If the controller demands however a higher control variable than permitted by the limitation, the control variable is limited and the controller slows down.

**Hint** You should therefore make sure that the control variable (output) of the controller does not remain within the limitation or only for a very short time.

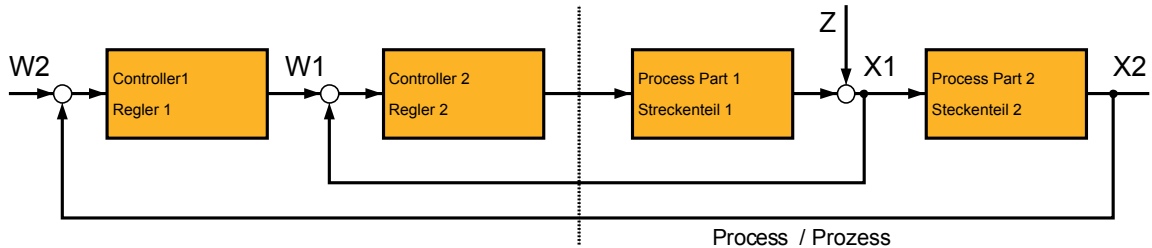
### Cascade control

**In this chapter you can read about:**

Structure of a cascade control ..... 198  
 Cascade structure of Compax3..... 198

In drive technology, a cascading structure with several controllers (normally 3) is often used. This improves the control behavior. For this, additional sensors must be fixed within the control path. You will get the structure of a cascade control.

**Structure of a cascade control**



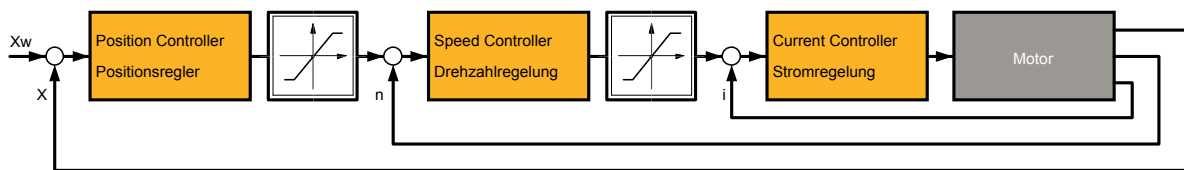
- W1 Setpoint value (setpoint) for the superposed controller 2
- W2 Setpoint value (setpoint) for the subordinate controller 1
- X2: Actual variable (actual value) for controller 2
- X1: Actual variable (actual value) for controller 1

The cascade control offers the following advantages:

- ◆ Disturbances occurring within the control path, can be compensated in the subordinate control loop. Therefore they must not pass through the entire control path and are thus compensated earlier.
- ◆ The delay times within the path can be reduced for the superposed controller.
- ◆ The limitation of the intermediate variables can be made by the control variable limitation of the superposed controller rather easily.
- ◆ The effects of the non-linearity for the superposed controllers can be reduced by the subordinate control loops.

In the Compax3 servo drive, a triple cascade control is implemented with the following controllers - position controller, velocity controller and current controller.

**Cascade structure of Compax3**



### Rigidity

**In this chapter you can read about:**

Static stiffness ..... 198  
 Dynamic stiffness ..... 199  
 Correlation between the terms introduced..... 200

The stiffness of a drive represents an important characteristic. The faster the disturbance variable can be compensated in the velocity control path and the smaller the oscillation caused, the higher the stiffness of the drive. With regard to stiffness, we distinguish static and dynamic stiffness.

**Static stiffness**

The static stiffness of a direct drive is comparable with the spring rate D of a mechanical spring, and indicates the excursion of the spring in the event of a constant interference force. It is the ratio between the constant force  $F_{Dmax}$  of the motor and a position difference. Due to the I term in the velocity controller, the static stiffness is therefore infinitely high in theory, as the I term is integrated until the control difference vanishes. In a digital control the static stiffness is above all

limited by the finite resolution of the position signal (the error must be at least one quantization step, so that it can be detected by the reading system) and by numerical resolution. Additional effects are for instance mechanical stiffness of the mechanic components in the control path (e.g. load connection, guiding system) as well as measurement errors of the measurement system.

**Dynamic stiffness**

**In this chapter you can read about:**

Traditional generation of a disturbance torque/force jerk..... 199  
 Electronic simulation of a disturbance torque jerk with the disturbance current jerk..... 199  
 Disturbance jerk response ..... 200

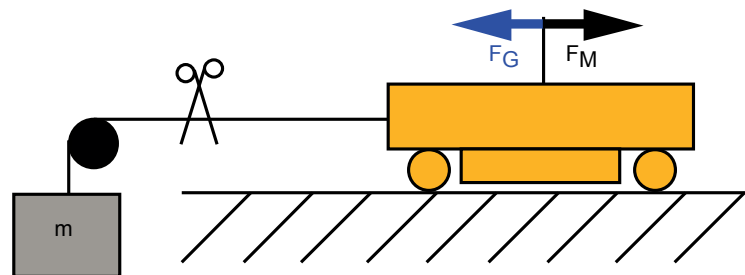
The dynamic stiffness is described by the ratio between the change in load torque or in load force and the resulting position deviation (following error):

$$\frac{-\Delta M_L}{\Delta x}$$

The higher this ratio (=dynamic stiffness), the higher the necessary change is load torque in order to generate a defined following error.

The dynamic stiffness can be acquired from the disturbance jerk response.

**Traditional generation of a disturbance torque/force jerk**

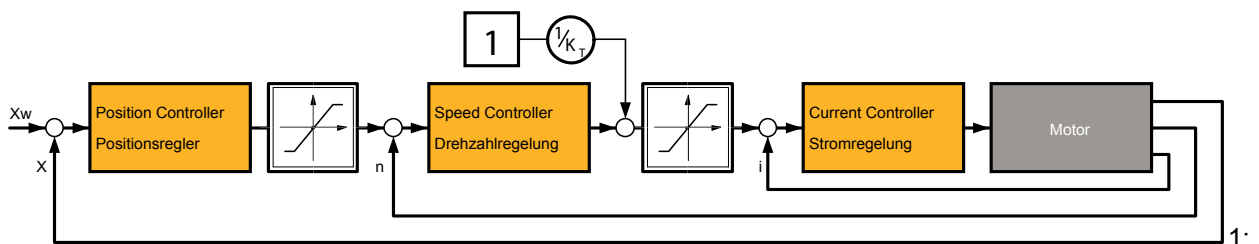


In settled state of the control, the motor force FM corresponds exactly to the load force FG=m×g.

If the cord is cut through, the load force is eliminated abruptly and the controller must first of all settle to the new situation.

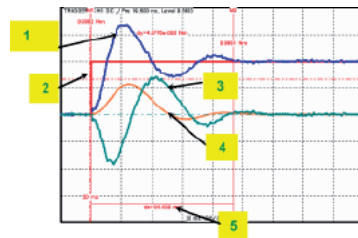
In order to simulate this load jerk electronically, a disturbance current jerk is fed to the Compax3 as a variable proportional to the disturbance torque at the velocity controller output.

**Electronic simulation of a disturbance torque jerk with the disturbance current jerk**



Feeding in of a disturbance current jerk, which corresponds to a disturbance torque jerk. The maximum amplitude and the settling time of the following error decline with rising dynamic stiffness. The settling behavior of the following error is furthermore a measure for the attenuation and the bandwidth of the control.

**Disturbance jerk response**



- 1: Compensation torque of the controller
- 2: Simulated disturbance torque
- 3: Actual speed
- 4: Following error
- 5: Settling Time

**Correlation between the terms introduced**

The introduced terms:

- ◆ Stability
- ◆ Damping
- ◆ Velocity
- ◆ Bandwidth
- ◆ Setpoint and disturbance behavior
- ◆ Control variable limitation
- ◆ Replacement time constant
- ◆ Rigidity

are related as follows:

- ◆ A well-attenuated control features a stable control behavior.
- ◆ The velocity of a control loop is a measure for the reaction rate of the controller to the disturbance variable (disturbance behavior) as well as to the setpoint variable (setpoint behavior).
- ◆ The faster the control, the higher its bandwidth.
- ◆ The term replacement time constant is an approximation and is only valid in a defined scope<sup>1</sup>. In this scope, the control is always stable and well-attenuated.
- ◆ If the controller does not work in the linear range, but the control variable of the controller is within the limitation, the control slows down and the control difference rises.
- ◆ The stiffness represents the bandwidth of the velocity control. The higher the stiffness value of the velocity control, the higher the bandwidth of the velocity controller and the stiffer the drive.

**Automated controller design**

**In this chapter you can read about:**

Step response of the velocity loop depending on the optimization parameter "attenuation" and "stiffness" .....201

D-term .....201

Position loop.....201

The controller design takes place after the configuration immediately before the configuration download into the device. The controller coefficients are preassigned according to the design method of cross-ratios so that a stable control is achieved. The automatic, robust controller design calculates the P and I terms of the individual controllers (current, velocity, position) on the basis of the configured motor and application parameters.



**Please observe:** Faulty motor and application parameters may lead under certain circumstances to instable controllers.

The controller parameters are not directly available for the optimization. Instead, they can be changed with the aid of the following optimization parameters:

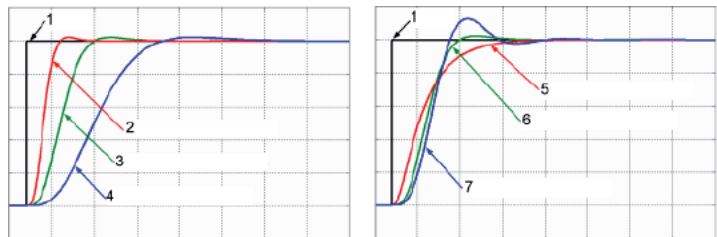
- |  |                                      |
|--|--------------------------------------|
| Optimization of the current controller dynamics: | ◆ Current loop bandwidth in %        |
|  | ◆ "Attenuation of current loop" in % |
| Optimization of the velocity loop dynamics:      | ◆ "Stiffness" in %                   |
|  | ◆ "Attenuation" in %                 |
|  | ◆ Velocity loop - "D" term in %      |

The bandwidth parameter states the actually effective % of the calculated default velocity. The default bandwidth of the current controller is fixed to approx.  $f_{GR}=531\text{Hz}$ . In reverse this signifies that each motor delivers the same step response. The prerequisite is, of course, that you keep out of the control signal limitation (voltage limitation). The attenuation characterizes the controller's tendency to oscillate with respect to an excitation signal (see below). The stiffness (of the velocity loop, corresponds to the bandwidth of the current loop) describes the velocity of the velocity loop (see below).

### Step response of the velocity loop depending on the optimization parameter "attenuation" and "stiffness"

Attenuation = 100%

Stiffness = 100%



- 1: Setpoint value
- 2: Actual value (stiffness = 200%)
- 3: Actual value (stiffness = 100%)
- 4: Actual value (stiffness = 50%)
- 5: Actual value (attenuation = 500%)
- 6: Actual value (attenuation = 100%)
- 7: Actual value (attenuation = 50%)

### D-term

The D-term parameter ( of the velocity loop) activates existing control oscillations of drives with elastic coupling (e.g. toothed belt drives). The D-term is not automatically designed and must therefore be set manually.

### Position loop

The position controller is automatically adapted depending on the stiffness of the velocity loop.

## Controller coefficients

### In this chapter you can read about:

Velocity Loop P Term .....	202
D-term of the KD velocity controller .....	202
P-term KV position loop .....	202

Dependence of the controller coefficients from the optimization objects

The controller coefficients are influenced by the optimization objects such as "stiffness" and/or "attenuation". The dependency is displayed below.

I-term KI in the velocity loop

$$K_I = \frac{St[\%]}{100 \cdot T_{EGD}}$$

$$\Rightarrow K_I \sim St$$

$T_{EGD}$ : The replacement time constant of the closed velocity loop.  
 $St$  Rigidity

### Velocity Loop P Term

$$K_{PV} = \frac{St[\%]}{100 \cdot T_{EGD}} \cdot \frac{Tm[\%]}{100} \cdot T_N \cdot \frac{100}{EMK[\%]} \cdot \frac{30 + 0,14 \cdot Dp[\%]}{20}$$

$$\Rightarrow K_{PV} \sim St \wedge K_{PV} \sim Tm / EMK \wedge K_{PV} = f_{LIN}(Dp)$$

$T_{EGD}$ : The replacement time constant of the closed velocity loop.  
 $T_N$ : The mechanical integration time constant of the motor.  
 $f_{LIN}()$ : Linear function (straight) between attenuation and KPV  
 $Tm$  Moment of Inertia  
 $St$  Rigidity  
 $Dp$  Damping

### D-term of the KD velocity controller

$$K_D = \frac{Dterm[\%]}{100} \cdot K_{D\_100\%}$$

$$\Rightarrow K_D \sim Dterm$$

$KD\_100\%$  The defined 100% coefficient

$Dterm$  D term

### P-term KV position loop

$$K_V = \frac{St[\%]}{100 \cdot T_{EGD}} \cdot \frac{20}{30 + 0,14 \cdot Dp[\%]} \cdot T_X$$

$$\Rightarrow K_V \sim St[\%] \wedge K_V = f_{LIN}(1/Dp[\%])$$

$T_{EGD}$ : The replacement time constant of the closed velocity loop.  
 $T_X$ : The position integration time constant of the motor.  
 $St$  Rigidity  
 $Dp$  Damping  
 $f_{LIN}()$ : Linear function (straight) between 1/attenuation and KV

### 4.4.3.4 Setup and optimization of the control

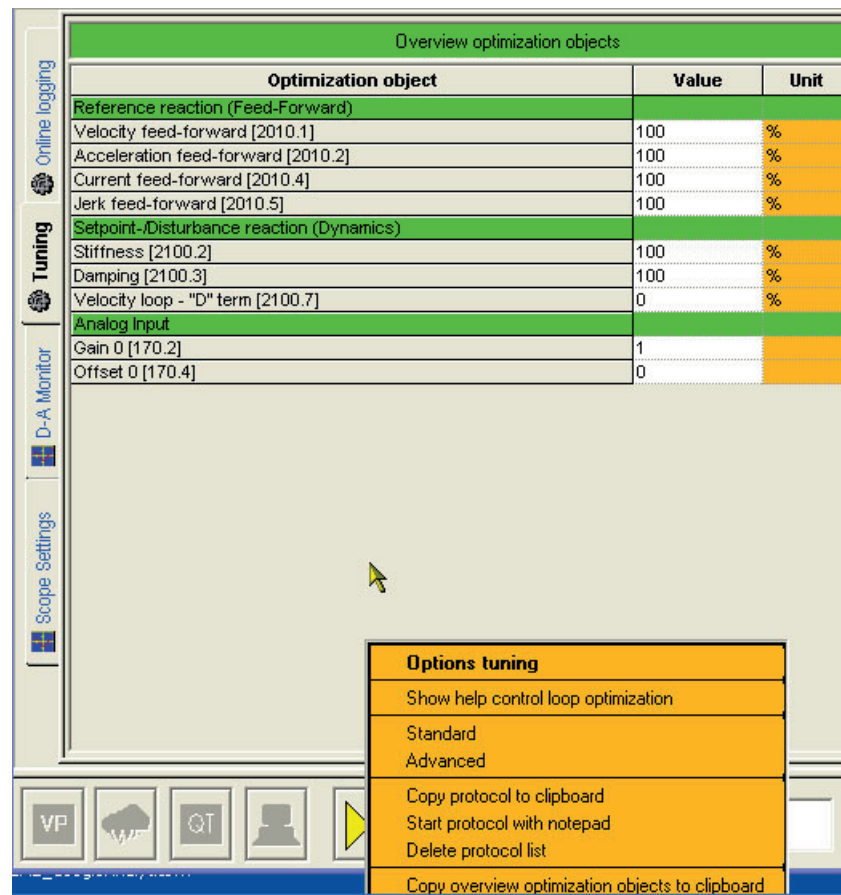
**In this chapter you can read about:**

Standard.....203  
 Advanced .....209  
 Commissioning window .....224  
 Proceeding during controller optimization .....226

For the setup and optimization of the control loops, the optimization window is available.

The Compax3 control functionality is divided into 2 sections, standard and advanced; the advanced functionality does however incorporate the entire standard functionality. The switching can be made in the optimization window.

**Switching between standard and advanced**



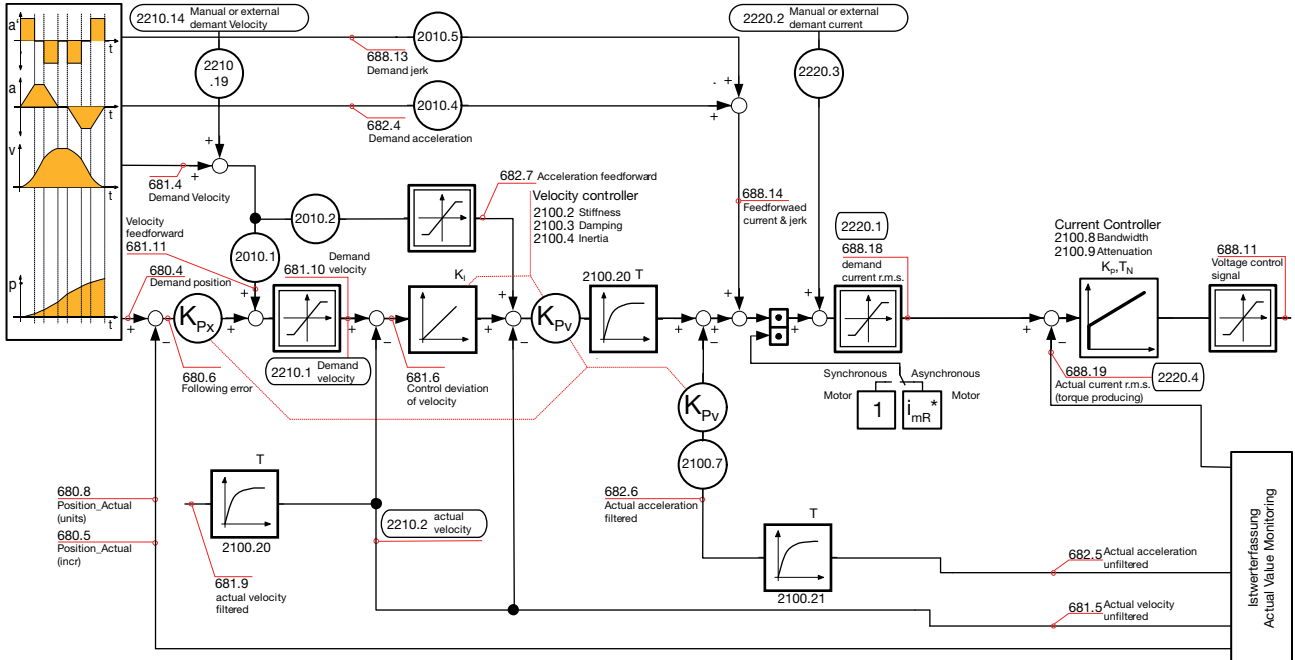
Note: The listed objects are not up to date!

## Standard

### In this chapter you can read about:

Standard cascade structure ..... 204  
 Standard optimization parameters ..... 205  
 Control signal limitations ..... 205  
 Feedforward channels ..... 207  
 Control signal filter / filter of actual acceleration value ..... 208

### Standard cascade structure



### Description of the objects (see on page 322)

The framed objects are coupling objects for Compax3 - Compax3 coupling via HEDA.

Please note that the corresponding controller components must be deactivated for the coupling:

When coupling the velocity (O2219.14): O100.1 or O100.2=1063 (see object description)

When coupling via current (O2220.2): O100.1 or O100.2=1031 (see object description)

O100.1 is only copied into O100.2 upon activation of the controller, the controller can be influenced in active state with the aid of O100.2


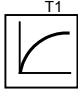
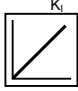


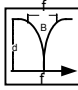

**Caution!** Changing objects O100.1 and O100.2 may cause the control to be deactivated!  
 Protect dangerous areas!

### External command value

During external setpoint specification, please respect the structure images for electronic cams or gearboxes for **signal filtering with external setpoint specification** (see on page 233) !

Complementary structure for **load control** (see on page 161).

Compax3 **controller structures** (see on page 204, see on page 209, see on page 211).

Symbol	Description
	Proportional term signal is multiplied with $K_p$
	First order delay component (P-T1 term)
	Integration block (I-block)
	PI-block
	Limitation block (signal limitation)
	Notch filter (band elimination filter)
	Addition block
blue description	Optimization objects (simple pointer line)
red description	Status objects (pointer line with vertical stroke)

**Standard optimization parameters**

Overview optimization objects		
Optimization object	Value	Unit
Reference reaction (Feed-Forward)		
Velocity feed-forward [2010.1]	100	%
Acceleration feed-forward [2010.2]	100	%
Current feed-forward [2010.4]	100	%
Jerk feed-forward [2010.5]	100	%
Setpoint-Disturbance reaction (Dynamics)		
Stiffness [2100.2]	100	%
Damping [2100.3]	100	%
Velocity loop - "D" term [2100.7]	0	%
Analog Input		
Gain 0 [170.2]	1	
Offset 0 [170.4]	0	

The above figure shows the parameters for the standard group. With the aid of these parameters, you can optimize the standard cascade structure.

**Control signal limitations**

**In this chapter you can read about:**

Limitation of the setpoint velocity .....206  
 Limitation of the setpoint current .....206  
 Limitation of the control voltage .....206

The cascade structure shows that a limitation block is available in the control signal sector of each controller. The limitations of the position and velocity loops are calculated from the set limitations in the configuration and the motor parameters of the selected motor.

**Limitation of the setpoint velocity**

Limitation of the setpoint velocity in the control signal sector of the position loop:  
This limitation value is calculated from the maximum mechanical velocity of the motor and the set value in the configuration in % of the nominal velocity. The smaller of the two values is used for the limitation.

**Example****MotorManager**

maximum mechanical velocity of the motor:  $n_{max}=3100\text{rpm}$   
Rated speed of the motor:  $n_N=2500\text{rpm}$

**C3 ServoManager**

Max. Operating velocity:  $n_{bmax}=200\%$  of  $n_N$   
 $\Rightarrow 5000\text{rpm}$

**Velocity limitation value =** **3100rpm**  
 **$MIN(n_{max}, n_{bmax} * n_N / 100) =$**

**Limitation of the setpoint current**

Limitation of the setpoint current in the control signal sector of the velocity loop:  
This limitation value is calculated from the device peak current, the pulse current of the motor and the set value in the configuration in % of the nominal current. The smaller of the three values is used for the current limitation.

**Example****Device**

C3 S063 V2 F10 T30 M00 device peak current:  $I_{Gmax}=12.6A_{rms}$

**MotorManager**

Rated current of the motor:  $I_N=5.5A_{rms}$   
Peak Current:  $I_{imp}=300\%$   $I_N$   
 $\Rightarrow 16.5A_{rms}$

**C3 ServoManager**

Current (Torque) Limit:  $I_{bmax}=200\%$  of  $I_N$   
 $\Rightarrow 11A_{rms}$

**Current limitation value =** **11A<sub>rms</sub>**  
 **$MIN(I_{Gmax}, I_{imp} * I_N / 100, I_{bmax} * I_N / 100) =$**

**Limitation of the control voltage**

Limitation of the control voltage in the control signal sector of the current loop:  
This limitation is fixed and cannot be influenced by the user. The limitation value depends on the DC voltage of the device.

**Please note!** In the event of highly dynamic motion cycles it is necessary to make sure not to enter the control signal limitation (or, if so only for a very short time) as the drive is then not in the position to follow the set dynamics due to the slow drive physics and the limited control signal range.

**Feedforward channels**

**In this chapter you can read about:**

Influence of the feedforward measures ..... 207  
 Motion cycle without feedforward control ..... 207  
 Motion cycle with feedforward measures ..... 208

The feedforward channels are used for the specific influence of the guiding behavior of a control. The calculated and evaluated status variables are coupled into the corresponding places within the controller cascade. In practice, the feedforward control offers the following advantages:

- ◆ Minimal following error
- ◆ Improves the transient response
- ◆ Gives greater dynamic range with lower maximum current

The Compax3 servo drive disposes of four feedforward measures (see in the standard cascade structure):

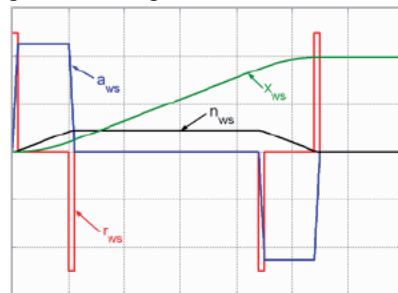
- ◆ Velocity Feed Forward
- ◆ Acceleration feed-forward
- ◆ Current feed-forward
- ◆ Jerk feed-forward

The above order represents at the same time the effectiveness of the individual feedforward measures. The influence of the jerk feedforward may be, depending on the profile and the motor, negligibly small.

**Please note!** But the principle of feedforward control fails in limiting the motor current or the motor speed during the acceleration phase!

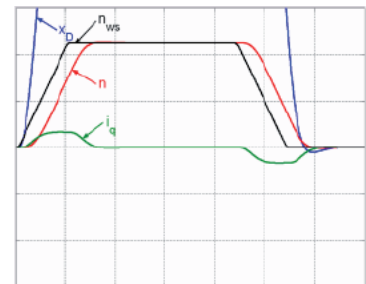
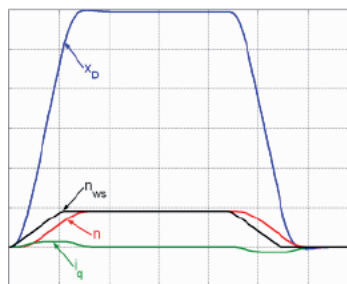
**Influence of the feedforward measures**

Following error minimization by feedforward control / course of the setpoint generator signals



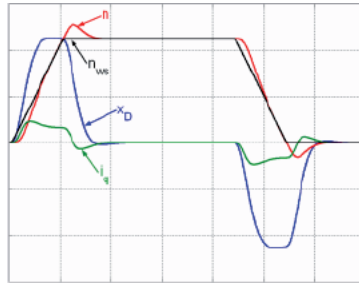
- xws: Position setpoint value of the setpoint generator
- nws: Velocity setpoint - setpoint generator
- aws: Acceleration setpoint value setpoint generator
- rws: Jerk setpoint value setpoint generator

**Motion cycle without feedforward control**

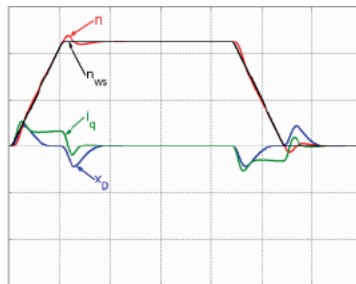


## Motion cycle with feedforward measures

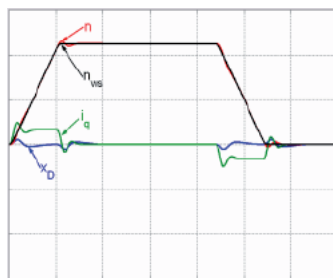
### Velocity feedforward



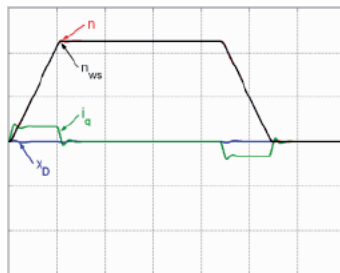
### Velocity and acceleration feedforward



### Velocity, acceleration and current feedforward



### Velocity, acceleration, current and jerk feedforward



### Control signal filter / filter of actual acceleration value

The filters in the Compax3 firmware are implemented as P-T1 filters (first order deceleration component see chapter 0 (see on page 233, see on page 233).)

The two "control signal filter (velocity loop)" (Object 2100.20) and "acceleration value filter" (Object 2100.21) are set in  $\mu\text{s}$ . The value range for these filters is 63... 8 300 000 $\mu\text{s}$ . Depending on the replacement time constant of the closed velocity loop, we can make recommendations for the setting.



**Setting recommendation for "control signal filter (velocity loop)":**

$O2100.20 \leq O2210.17[\mu s] / 5$  for  $O2210.17 \geq 10\ 000\mu s$

$O2100.20 \leq O2210.17[\mu s] / 3 - 1333\mu s$  for  $4000\mu s \leq O2210.17 < 10\ 000\mu s$

$O2210.20 = 0$  for  $O2210.17 < 4000\mu s$

O2210.17: Object replacement time constant of the velocity loop in  $\mu s$ .

O2100.20: Object control signal filter (velocity loop) in  $\mu s$ .

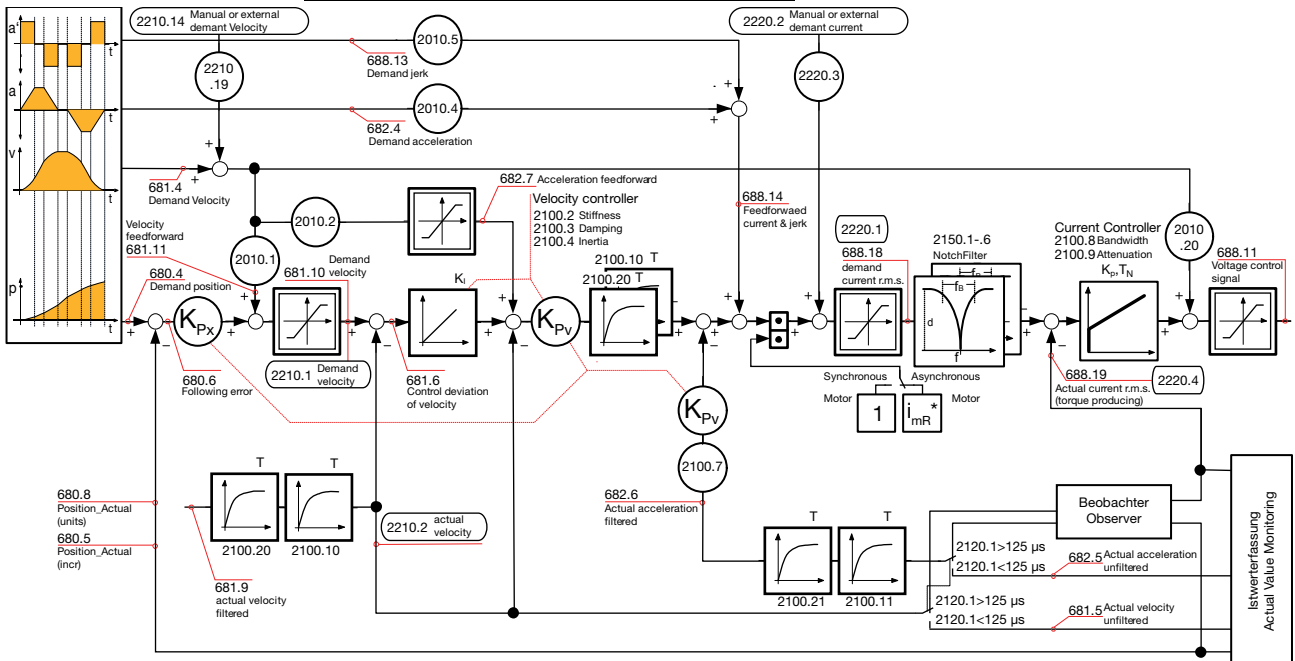
**Please note!** It cannot be excluded that the filter may have a destabilizing effect even though set according to the above recommendation. In this case the filter time constant must be reduced.

**Advanced**

In this chapter you can read about:

Extended cascade (structure variant 1).....209  
 Extended cascade structure (structure variant 2 with disturbance variable observer).....211  
 Optimization parameter Advanced.....213  
 EMC feedforward.....213  
 Motor parameters.....213  
 Filter "External Command Interface".....213  
 Voltage decoupling.....213  
 Load control.....214  
 Luenberg observer.....214  
 Commutation settings of the automatic commutation.....216  
 Notch filter.....220  
 Saturation behavior.....222  
 Control measures for drives involving friction.....223

**Extended cascade (structure variant 1)**



**Description of the objects** (see on page 322)

The framed objects are coupling objects for Compax3 - Compax3 coupling via HEDA.

Please note that the corresponding controller components must be deactivated for the coupling:

When coupling the velocity (O2219.14): O100.1 or O100.2=1063 (see object description)

When coupling via current (O2220.2): O100.1 or O100.2=1031 (see object description)

O100.1 is only copied into O100.2 upon activation of the controller, the controller can be influenced in active state with the aid of O100.2


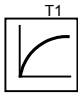


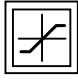
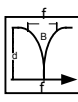

**Caution!** Changing objects O100.1 and O100.2 may cause the control to be deactivated! Protect dangerous areas!

**External command value**

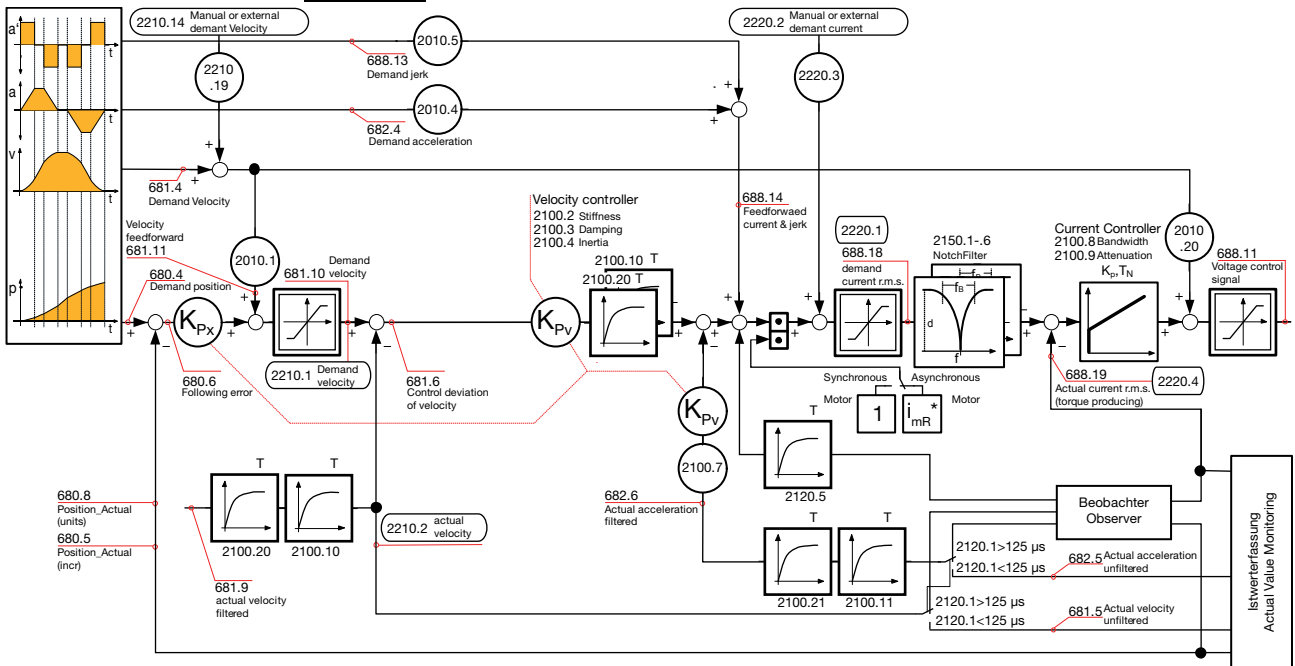
During external setpoint specification, please respect the structure images for electronic cams or gearboxes for **signal filtering with external setpoint specification** (see on page 233) !

Complementary structure for **load control** (see on page 161).

Compax3 **controller structures** (see on page 204, see on page 209, see on page 211).

Symbol	Description
	Proportional term signal is multiplied with $K_p$
	First order delay component (P-T1 term)
	Integration block (I-block)
	PI-block
	Limitation block (signal limitation)
	Notch filter (band elimination filter)
	Addition block
blue description	Optimization objects (simple pointer line)
red description	Status objects (pointer line with vertical stroke)

**Extended cascade structure (structure variant 2 with disturbance variable observer)**



**Description of the objects (see on page 322)**

The framed objects are coupling objects for Compax3 - Compax3 coupling via HEDA.

Please note that the corresponding controller components must be deactivated for the coupling:

When coupling the velocity (O2219.14): O100.1 or O100.2=1063 (see object description)

When coupling via current (O2220.2): O100.1 or O100.2=1031 (see object description)

O100.1 is only copied into O100.2 upon activation of the controller, the controller can be influenced in active state with the aid of O100.2


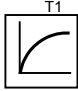
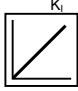


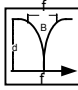

**Caution!** Changing objects O100.1 and O100.2 may cause the control to be deactivated!  
Protect dangerous areas!

**External command value**

During external setpoint specification, please respect the structure images for electronic cams or gearboxes for **signal filtering with external setpoint specification** (see on page 233) !

Complementary structure for **load control** (see on page 161).

Compax3 **controller structures** (see on page 204, see on page 209, see on page 211).

Symbol	Description
	Proportional term signal is multiplied with $K_p$
	First order delay component (P-T1 term)
	Integration block (I-block)
	PI-block
	Limitation block (signal limitation)
	Notch filter (band elimination filter)
	Addition block
blue description	Optimization objects (simple pointer line)
red description	Status objects (pointer line with vertical stroke)

## Optimization parameter Advanced

Overview optimization objects		
Optimization object	Value	Unit
<b>Reference reaction (Feed-Forward)</b>		
Velocity feed-forward [2010.1]	100	%
Acceleration feed-forward [2010.2]	100	%
Current feed-forward [2010.4]	100	%
Jerk feed-forward [2010.5]	100	%
<b>Setpoint-Disturbance reaction (Dynamics)</b>		
Stiffness [2100.2]	100	%
Damping [2100.3]	100	%
Moment of Inertia [2100.4]	100	%
Velocity loop - "D" term [2100.7]	0	%
Filter - Actual velocity [2100.5]	100	%
Filter 2 - actuating signal (velocity controller) [2100.10]	0	us
Filter - Actual acceleration [2100.6]	0	%
Filter 2 - Actual acceleration [2100.11]	0	us
Current loop - Bandwidth [2100.8]	50	%
Current loop - Damping [2100.9]	100	%
<b>Observer</b>		
Time Constant [2120.1]	0	us
Filter - Observed disturbance [2120.5]	1000	us
Enable Disturbance Compensation [2120.7]	0	
<b>Position Control</b>		
Position Loop - KV factor [2200.3]	100	%
<b>Filter external input setpoints</b>		
Filter - Ext. velocity feed-forward [2011.1]	500	%
Filter - Ext. accel. feed-forward [2011.2]	500	%
Filter - Ext. jerk feed-forward [2011.3]	500	%
<b>Filter external signal source</b>		
Filter - Ext. velocity feed-forward [2011.1]	500	%
Filter - Ext. accel. feed-forward [2011.2]	500	%
Trackingfilter HEDA [2109.1]	0	500us
<b>Filter setpoints</b>		
Trackingfilter [2110.1]	1	500us
Filter velocity [2110.3]	0	%
Filter acceleration [2110.4]	0	%
<b>Analog Input</b>		
Gain 0 [170.2]	1	
Offset 0 [170.4]	0	
Gain 1 [171.2]	1	
Offset 1 [171.4]	0	

### Current controller

The current controller works with a P component in the feedback; this results in very low overshoot.

With the aid of object 2220.27 (Bit 0 = "1"), it is possible to switch to P component in the forward path.

### EMC feedforward

The EMC feedforward compensates the electromagnetically generated back e.m.f. of the motor  $U_{EMC}$ . This signal is proportional to velocity and is deduced from the setpoint velocity of the setpoint generator.

### Motor parameters

Furthermore you can re-optimize the motor parameters inductance, resistance and EMC (or  $K_t$ ) in the advanced mode. The  $LdLqRatio$  parameter is the ratio of the smallest and the highest inductance value of the winding, measured during one motor revolution.

### Filter "External Command Interface"

Signal filtering with external command value (see on page 233, see on page 233)

### Voltage decoupling

In the current control path there is a velocity and current proportional voltage disturbance variable, which must be compensated by the current loop. Due to limited controller dynamics, this disturbance variable can not always be entirely

compensated by the current loop. The influence of this disturbance variable may however be minimized by activating the voltage decoupling.

### **Load control**

If a second position feedback is available for the acquisition of the load position, the load control can be activated.

For more detailed information on the load control see device help for T30/T40 devices in the setup chapter Compax3\\load control.

### **Luenberg observer**

#### **In this chapter you can read about:**

Introduction observer .....	214
Signal flow chart Luenberg observer .....	215

### **Introduction observer**

A high signal quality of the actual signal value is of high significance in the control of the motor velocity  $n$  or the motor speed  $v$ . By means of oversampling and transmitter error compensation, a high-quality position signal can be produced for speed determination. As a rule the motor speed is determined by numeric differentiation of the motor position. In this case the quantization noise  $Q_{vD}$  of the digital speed signal depends on the quantisation  $Q_x$  of the position signal and the sampling time  $T_{AR}$  of the digital control loop:

Quantization speed signal  $Q_{vD}$

$$Q_{vD} = \frac{Q_x}{T_{AR}}$$

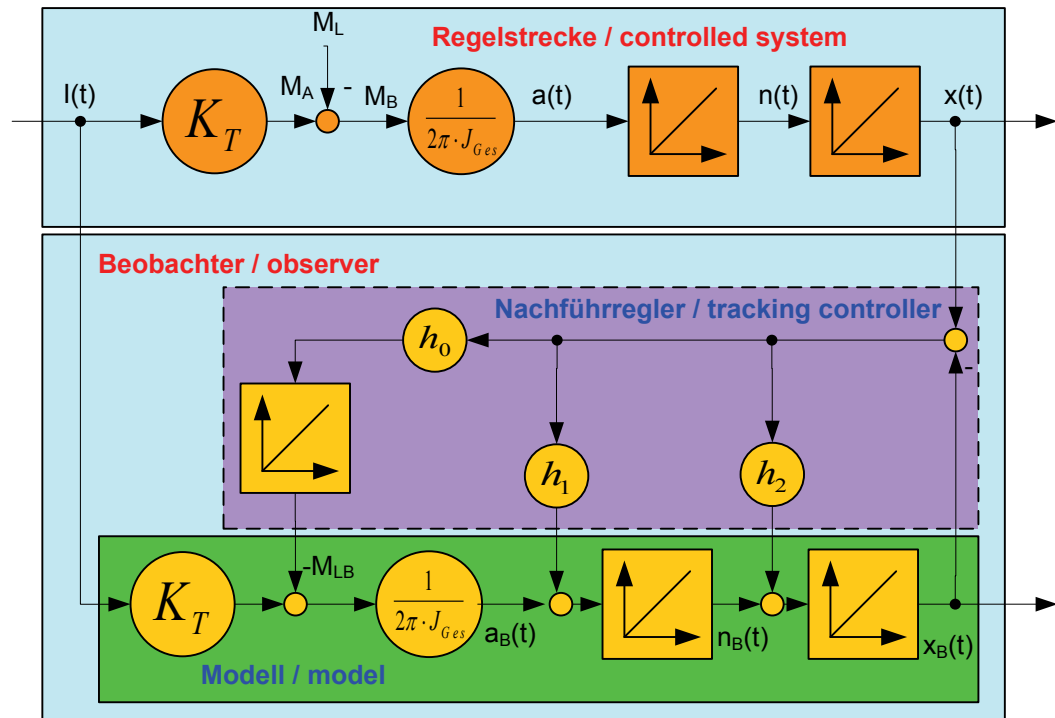
The quantisation of the speed signal is inversely proportional to the sampling time  $T_{AR}$ . Hence the demands for the lowest possible sampling time and the minimum quantization noise oppose each other in the determination of speed by numeric differentiation. The noise superimposed by the digital speed signal may be reduced by the low-pass filter, however this is always at the cost of the stability margin of the digital control loop. An alternative method is to determine the speed by integration of the acceleration. The dependence of the quantisation noise  $Q_{vD}$  of the digital speed signal on the quantisation  $Q_x$  of the position signal and the sampling time  $T_{AR}$  of the digital control loop is shown by the following correlation.

Quantization speed signal  $Q_{vI}$

$$Q_{vI} = Q_a \cdot T_{AR}$$

The observer technology offers the advantage that the velocity can be calculated with the aid of integration. The idea of the observer principle is to connect a mathematical model of the control path parallel to the section observed and with the same transfer behavior. In this case, the controller also has the intermediate variables (state variables) of the control path available. However in the presence of model deviations (in structure or parameters), different signal values occur between the model and the control path. For this reason, the technique cannot be employed in this way in practice. However, the model contains the measurable output signal of the control section as a redundant quantity. By comparing the two variables, a tracking control can be used to adapt the model state variables to the state variables of the control path. As the model deviations have become minor in this case due to the simple mechanical drive train, the observer now has an efficient aid available to increase the signal quality. Increase in signal quality in the observer means that the noise components decrease, and the dynamics improve as the observed speed is feedforward-controlled undelayed by the current and is not just calculated delayed from the position signal using simple differentiation.

Signal flow chart Luenberg observer



- I(t): Torque-forming motor current
- K<sub>T</sub>: Torque constant
- M<sub>L</sub>(t): External disturbance torque
- J<sub>total</sub>: Total mass moment of inertia (motor + load)
- a(t): Acceleration
- n(t): Velocity
- x(t): Position
- Index b: Observed signal quantities
- h<sub>0</sub>...h<sub>2</sub>: Controller coefficients of the tracking controller

The figure shows that an additional I element is connected for interference compensation to correct external disturbance forces in the observer. Therefore the speed and the acceleration observed are statically precise. The same applies to the output of the integrator in the tracking controller which is a statically precise determination of an external interference torque ML. For this reason, the I component is not required in the speed controller for some applications, and the entire control can be set up as a state cascade control. This increases the bandwidth of the speed and position controlled member by factor 2. As a consequence, the interference stiffness of the drive and the following error behavior improve.

Here the quantization of the speed signal is proportional to the sampling time TAR, hence there is no longer any conflict between the requirements for minimum sampling time and minimum quantization noise. For the integral velocity acquisition, the motor current variable, which is proportional to the acceleration, can be used. This approach is particularly advantageous in direct drive engineering; due to the absence of a mechanical drive train, there is a very good match between the mathematical model of the observer and the real physical control section in the fundamental frequency range of the control. This applies in particular to direct drive systems with fixed moving masses, as otherwise the mismatch between model and the physical drive system has a destabilizing influence on the transfer behavior of the speed control. A remedy is to increase the observer dynamics, however this increases the noise of the observed signals.

Therefore in the case of variable moving masses a compromise has to be found between the dynamics of the observer and the maximum stiffness of the drive.

### **Commutation settings of the automatic commutation**

#### **In this chapter you can read about:**

Display of the commutation error in incremental feedback systems .....	216
Prerequisites for the automatic commutation .....	218
Course of the automatic commutation function .....	218
Other .....	220

Permanently excited synchronous motors can only be operated with an absolute feedback system (at least for electric motor rotation). The reason is the necessary commutation information (position assignment of the magnet field generated by the motor to the motor magnets). Without the commutation information, there is inevitably the possibility of a positive feedback between position and velocity loop ("running away" of the motor) or of bad motor efficiency (reduced force constant).

Digital hall sensors are the most common aid to prevent this. Due to the mechanical design it is however impossible or very hard to integrate these sensors in some motors. The Compax3 automatic commutation function (in the F12 direct drive device) described below allows however to use incremental feedback systems without hall sensors.

The functionality implemented in the servo drive establishes the necessary reference between motor stator field and permanent magnetic field without additional aids.

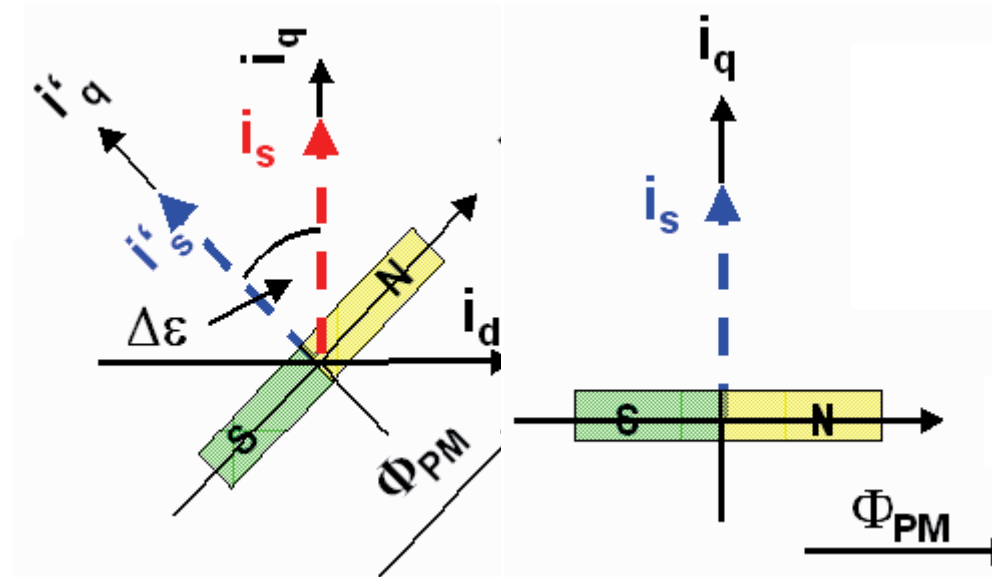
The incremental feedback devices are, in contrast to absolute feedback devices, able to acquire relative distances. It is true that any position can be approached from a starting point, there would be however no consistency between these position values and a fixed virtual absolute system. Other than with an absolute feedback, the correlation between rotor and stator is lost if the position acquisition is switched off ("the position acquisition zero is lost"). When switching on, the actual position is randomly taken as zero. A commutation angle error can therefore absolutely not be excluded. Even a system adjusted before, would show an angular error, for example after a current failure. Therefore the angular error occurring randomly upon each new switching on must always be compensated in an incremental system.



### Display of the commutation error in incremental feedback systems

$\Delta\varepsilon = 0$  (adjusted)

$\Delta\varepsilon \neq 0$  (not adjusted)



Rotor was turned in switched-off state.

blue: ideal position

red: unfavorable position

PM: magnetic flux of the permanent magnets

$i_s$ : Current pointer

$\Delta\varepsilon$ : Commutation error

$i_q$ : ideal position

$i_s$ : Quadrature current (torque forming)

The automatic commutation function (AK) in Compax3 uses the position dependent sinusoidal torque course of permanently excited AC synchronous motors. If the motor windings are energized with DC voltage for instance, the motor develops a sinusoidal torque depending on the rotor position, which can be used for example by evaluating the resulting movement in order to determine the correct motor commutation.

The automatic commutation with movement in the Compax3 has the following properties:

- ◆ The motor movement occurring during the commutation is, with correctly parameterized function, very small. It is typically in the range smaller than  $10^\circ$  electrical revolution ( $=10^\circ/\text{motor poles physically or } 10^\circ/360^\circ \cdot \text{motor pitch}$  for a linear motor).
- ◆ The precision of the acquired commutation angle depends on the external conditions, however lies normally in the range better than  $5^\circ$  electrical revolution.
- ◆ The time until the termination of the commutation acquisition is typically below 10s.

**Prerequisites for the automatic commutation**

- ◆ A movement of the motor must be permitted. The movement actually occurring depends greatly on the motor (friction conditions) itself, as well as on the load moved (inertia).
- ◆ Applications requiring a motor brake, i.e. applications where active load torques are applied at the motor (e.g. vertical actuator, slope) are not permitted.
- ◆ Due to the function principle, high static friction or load torques will deteriorate the result of automatic commutation.
- ◆ When performing automatic commutation, a motion of at least  $\pm 180^\circ$  must be electrically possible (no mechanic limitation)! The implemented automatic commutation function with motion cannot be used for applications with limit or reversal switches.
- ◆ With the exception of missing commutation information, the controller/motor combination is configured and ready for operation (parameters correctly assigned for the drive/linear motor). Feedback direction and effective direction of the field of rotation must be identical (automatic commutation performed in the MotorManager).

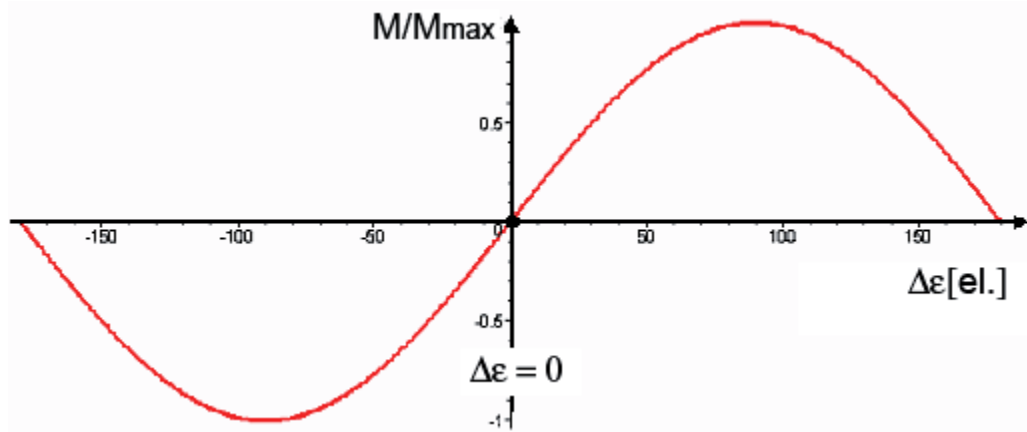
**Course of the automatic commutation function**

If "automatic commutation with movement" is selected as source of commutation, the automatic commutation sequence runs once if the power stage is enabled. If the power stage is enabled or disabled afterwards, the automatic commutation will be left out. If an error occurs during the execution, the automatic commutation is aborted. A new "attempt to enable" the power stage will trigger a new automatic commutation.

**Function principle of the automatic commutation with movement**

The implemented method with movement is based on the sinusoidal dependence of the provided motor currents and the resulting movement on the effective commutation error. The acceleration performed by the motor (-> movement) in the event of constantly maintained current is a measure for the actual change in the commutation angle in the way that it disappears upon a change of exactly  $0^\circ$  and is, for other angles, the acceleration and its direction in dependence of the sign and value of the angular error ( $-180^\circ \dots 180^\circ$ ).

**Acceleration torque depending on the commutation error.**

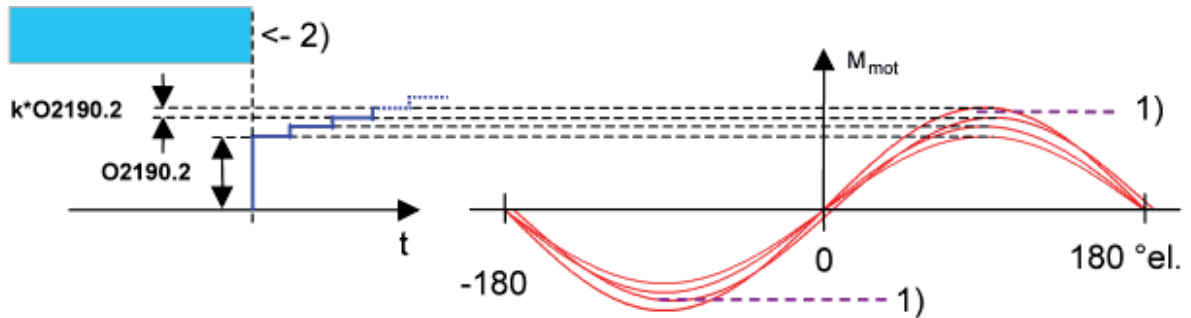


$\Delta\epsilon:$	Commutation error
$M/M_{\mu\xi}$	normalized acceleration torque

**Searching for the torque maxima (phase 1)**

If the sum of the actual and the estimated error angle is  $\pm 90^\circ$  electrically, the motor torque is maximal for the provided current. If you gradually increase the provided motor current, the motor will, from a defined value on, surpass its friction torque and exceed a motion threshold defined by O2190.3:

**Illustration of the first phase**

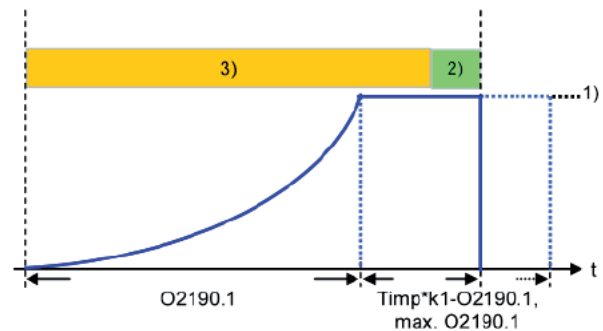


- 1): Motion threshold O2190.3
- 2): Waiting for standstill
- O2190.2: Starting current

**Latching of the motor (phase 2)**

Here, the drive is brought to the position with the provided motor torque=0, where the angular error is either  $\pm 180^\circ$  or  $0^\circ$ .

**Current rise in the second phase.**



- O2190.1: Rising time of latching current
- 1) Maximum current from controller or motor
- 2) Monitoring on  $5^\circ$  electrical movement
- 3) Monitoring on  $60^\circ$  electrical movement

**Motion reduction:**

It is possible, to considerably reduce the motor movement occurring during the fine angle search with the aid of the "motion reduction" parameter (O2190.4). Please respect also that the acquired commutation result may be slightly worse than without this measure.

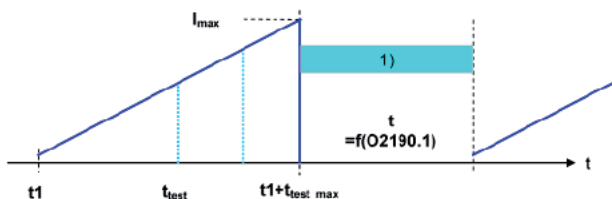
**Hint** As a current well above the nominal motor current is provided here, there may be saturation effects on iron core motors, which might lead to an instable current loop (-> highly frequent "creaking noises" during the automatic commutation). This can be avoided by activating the saturation characteristic line in the motor data.

**Test for positive feedback (phase 3)**

Here it is verified, if the motor performs a motion in the expected positive direction in the event of positive current in the torque maximum. The same motion threshold (defined via O2190.3) as in phase 1 is valid. The test is repeated several times.

A current course in ramp form is specified (target: minimum motion). The break between the tests varies with the current rise time O2191.1.

**Illustration of the third phase**



- 1): Waiting for standstill
- tp: Waiting for standstill

**Other**

- ◆ During the sequence (time according to parameterization >> 1s) the automatic commutation is externally visualized by a LED blinking code (green permanent and red blinking).
- ◆ Device errors will lead to an abort of the automatic commutation.
- ◆ During automatic commutation, no motion commands are accepted.
- ◆ The controller cascade entirely deactivated during automatic commutation, with the exception of the current loop.
- ◆ In multi-axis applications, the axes to be automatically commutated must be awaited (output of the MC\_Power block must deliver "True")!
- ◆ The automatic commutation is only started if the drive is at standstill.
- ◆ After the occurring and acknowledgement of a feedback error or a configuration change of the feedback system, the automatic commutation must be performed again, as it might be that the position entrainment in the servo controller is interrupted (commutation information is lost).

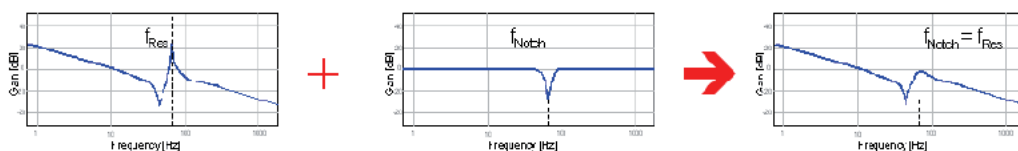
**Notch filter**

**In this chapter you can read about:**

Effect of the notch filter .....	220
Wrongly set notch filter .....	221
Frequency response of the notch filter .....	221
Parameterization by 3 objects .....	221

Notch filters are small-band band elimination filters which slope in a wedge form towards the center frequency. The attenuation of this center frequency is extremely high in most cases. With the aid of the notch filters it is possible to purposefully eliminate the effects of mechanical resonance frequencies. With this, the mechanical resonance point is not activated itself, but the excitation of this point of resonance is avoided by the control.

**Effect of the notch filter**



Resonance

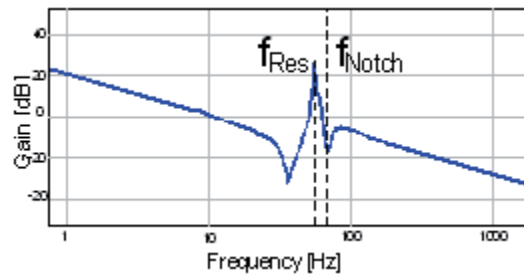
Notch filter

Result

As can be seen in the figure, the notch filter is only useful in cases where the set frequency of the notch filter is exactly the same as the disturbing frequency. The

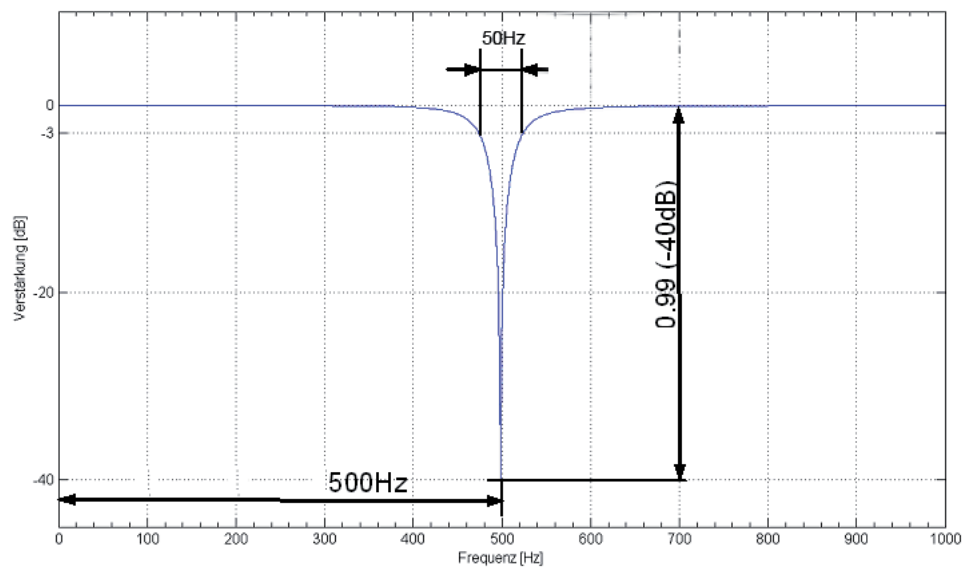
notch filter as well as the resonance point are very narrowband. If the resonance point does only minimally change (e.g. by changing the masses involved), it is not sufficiently activated by the notch filter.

**Wrongly set notch filter**



In the Compax3, two notch filters which are independent of each other are implemented.

**Frequency response of the notch filter.**



Center frequency = 500Hz  
 Bandwidth = 50Hz  
 Depth = 0.99 (-40dB)

**Parameterization by 3 objects.**

In this chapter you can read about:

Frequency filter 1 (O2150.1) / frequency filter 2 (O2150.4) .....	221
Bandwidth filter 1 (O2150.2) / bandwidth filter 2 (O2150.5) .....	222
Depth filter 1 (O2150.3) / depth filter 2 (O2150.6) .....	222

**Frequency filter 1 (O2150.1) / frequency filter 2 (O2150.4)**

This defines the frequency at which the notch filter attenuation is highest. In practice it shows that notch filters can only sensibly be used if the distance between the controller bandwidth (velocity loop) and the center frequency is long enough (at least factor 5). This permits to deduce the following recommendation:

$$O2150.x \geq \frac{5000000}{2\pi \cdot O2210.17[\mu s]}$$

x = 1 or x = 4

Obj2210.17: Replacement time constant of the velocity loop in  $\mu\text{s}$ .

**Note:** If this distance is too small, the stability of the control can be very negatively influenced!

**Bandwidth filter 1 (O2150.2) / bandwidth filter 2 (O2150.5)**

This defines the width of the notch filter.

The value refers to the entire frequency band, where the attenuation of the filter is higher than (-)3dB.

In practice it shows that even if there is enough distance towards the control, it can be negatively influenced by too high bandwidths (higher than 1/4 of the center frequency).

$$O2150.x \leq \frac{O2150.1/4}{4}$$

x = 2 or x = 5

**Depth filter 1 (O2150.3) / depth filter 2 (O2150.6)**

With this the size of the attenuation of the filter must be at the position of the center frequency. One stands here for complete attenuation ( $-\infty$  dB) and zero for no attenuation.

$$O2150.x = 1 - 10^{-\left(\frac{D[\text{dB}]}{20}\right)}$$

x = 3 or x = 6

D [dB]: The desired attenuation at the center frequency in dB

**Saturation behavior**

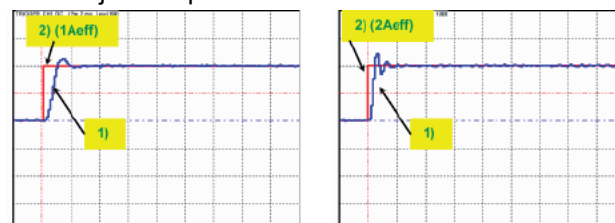
**In this chapter you can read about:**

Current jerk response ..... 222  
 Current jerk response with the activated saturation characteristic line ..... 223

Saturation can be stated with the aid of current jerk responses at different current height.

**Current jerk response**

Current jerk response of a motor to 2 different currents (1Arms / 2Arms)

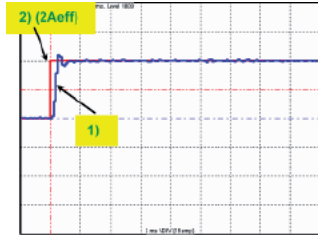


- 1) Actual current
- 2) Setpoint current

In the above figure we can see from the settling response that the drive shows a distinctive tendency to oscillate at doubled current. The saturation characteristic line, which is used to linearly reduce the P-term of the current loop depending on the current, helps against such a saturation behavior.

If you respect the saturation for the above example with the aid of the saturation characteristic line, the tendency to oscillate of the current loop can again be activated.

**Current jerk response with the activated saturation characteristic line**



The parameterization of the characteristic line is made in the MotorManager.

- Note:**
- ◆ In order to accept the changes in the MotorManager in the project, the entire configuration must be confirmed.
  - ◆ In order to make the changes from the MotorManager effective in the device, the configuration download must be executed.

**Control measures for drives involving friction**

In this chapter you can read about:

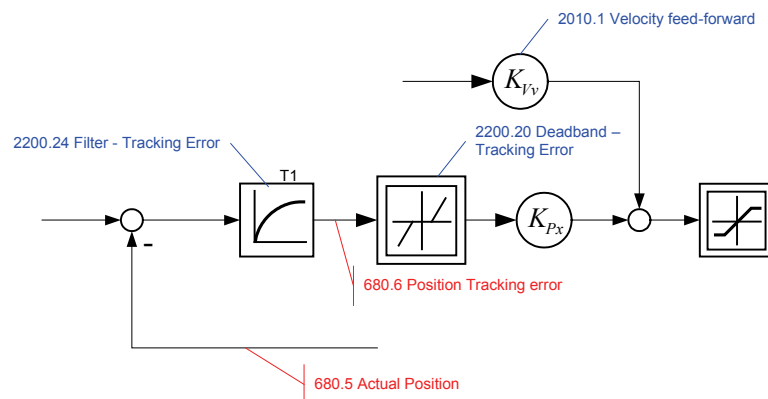
Deadband following error.....223  
 Friction compensation.....224

Some drives, which involve much friction due to their guiding system, may show permanent oscillation at standstill. The transition between static friction (standstill) and kinetic friction (very low speed) is very steep. The controller can not longer follow the friction characteristic line at this position. The I-term integrates until the control variable pulls free the drive and the drive moves too far. This procedure is repeated in the opposite direction and a control oscillation occurs (so-called limit cycle). In order to eliminate this control oscillation, the following control functions were implemented:

- ◆ Deadband following error (Obj. 2200.20)
- ◆ Filter following error (Obj. 2200.24)
- ◆ Friction compensation (Obj. 2200.20)

**Deadband following error**

**Deadband/filter following error in the position loop**

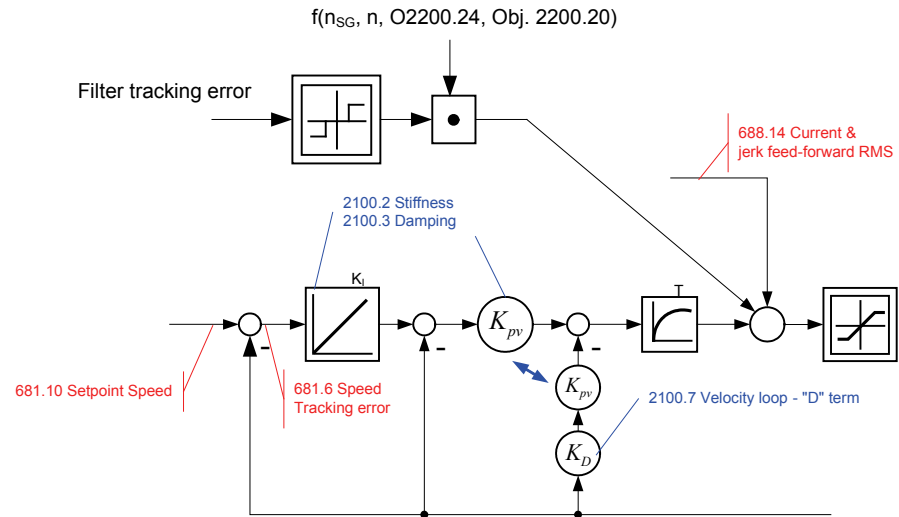


The deadband does no longer supply a velocity setpoint value (zero) for the subordinate velocity loop at small following error. The integrator of the velocity loop stops integrating and the system comes to a standstill.

In order to prevent that the velocity loop is excited by the noise on the following error, the following error should be filtered before the deadband, which will lead, however, to delays in the position loop. The deadband to be set depends on the friction behavior (amplitude of the limit cycle) and on the noise on the following error (the noise must remain within the deadband).

### Friction compensation

#### The activation of the friction compensation (end of the velocity loop)



The friction compensation helps the control to surmount static friction at low setpoint speeds. The non linear characteristic line is partly compensated by this and a smaller deadband can be chosen, which will increase the position accuracy. The amplitude of the friction compensation depends on the application and must be calculated if needed. If the value is set too high, corrective movements may result and the tendency to oscillate is increased.

### Commissioning window

#### In this chapter you can read about:

Load identification.....	224
Setpoint generation .....	224

#### Commissioning window

With the aid of the setup window, the drive can be set up in a simple way.

#### Load identification

If you do not know the mass moment of inertia, it can be determined. For this, you click on the corresponding button (see setup window no. 13). After the following parameter entry, the identification can be started via the same button.

- ◆ For more detailed information on the load identification, see the device help, chapter "load identification".
- ◆ This measurement requires the correct EMC or torque constant value  $K_t$ .

#### Setpoint generation

##### In this chapter you can read about:

Internal setpoint generation .....	224
External setpoint generation .....	226

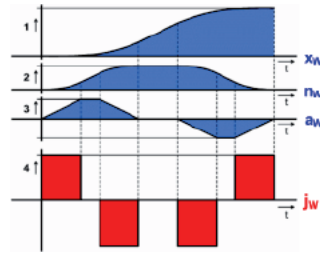
The setpoints for the control loops are provided in two different ways - internally or externally. The setpoint generation depends on the technology option of the device.

#### Internal setpoint generation

The internal setpoint generation can be used for the technology options >T10. In this case, the internal setpoint generator generates the entire motion profile with position, velocity, acceleration and jerk.



**Motion profile at jerk-controlled setpoint generation**



- $x_w$  Position
- $v_w$  Velocity
- $a_w$  Acceleration
- $j_w$  Jerk

The drive cannot move randomly through hard profiles, as certain physical limits exist for the acceleration ability due to the motor physics and the limitation of the control variable. You must therefore make sure that the set movement corresponds to the real physics of the motor and of the servo drive.

As a support you can take the following physical correlation.

**The calculation of the physically possible acceleration**

rotary drives

$$a [rps^2] = \frac{M_A [Nm] - M_L [Nm]}{2\pi \cdot J_{ges} [kgm^2]}$$

- $M_A$ : Drive torque of the motor
- $M_L$ : Load torque of the motor
- $J_{total}$ : entire mass moment of inertia
- $a$ : possible acceleration

Linear drives

$$a [m/s^2] = \frac{F_A [N] - F_L [N]}{m_{ges} [kg]}$$

- $F_A$ : Drive force of a linear motor
- $F_L$ : Load force of a linear motor
- $m_{total}$ : Total mass of a linear motor

The generation of the setpoint profile is jerk-controlled and jerk-limited by the specification of the jerk.

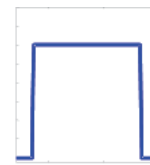
In practice, jerk-limited setpoint generation is important if the items to be moved must be handled gently. In addition, the service life of the mechanical guiding system will be extended. A separate setting of jerk and slope of the deceleration phase also permits overshoot-free positioning in the target position. For this reason, it is common practice to use higher values for acceleration and jerk in the acceleration phase than in the deceleration phase. In consequence a higher cycle rate can be achieved.

An additional important reason for the jerk limitation is the excitation of higher frequencies due to the too high jerk in the power density spectrum of the velocity function.

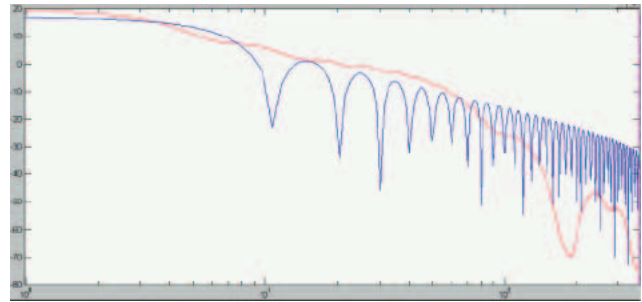
Jerk=1000°/s<sup>3</sup>

Jerk=1000000°/s<sup>3</sup>

Time function:



### Time function and power density spectrum of Compax3 setpoint generator with different jerk settings



Power density over the frequency

The profile can be simply calculated and displayed for control purposes.

#### External setpoint generation

During external setpoint generation, the necessary feedforward signals are calculated from the external setpoint with the aid of numerical differentiation and final filtering.

**Hint** For more detailed information on the external setpoint generation see device help for T11/T30/T40 devices in the "setup" chapter Compax3\optimization\controller dynamics\signal filtering at external setpoint specification"

#### Test Move

In order to evaluate the behavior of the drive, test movements can be defined. For this you jump into the parameter entry either with the aid of the "enter setup/test movement parameters" or by selecting the parameter tab. Via the "setup settings" menu you access the settings for the desired test movement.

The desired motion profile can be set via the parameters in the following window.

#### Proceeding during controller optimization

##### In this chapter you can read about:

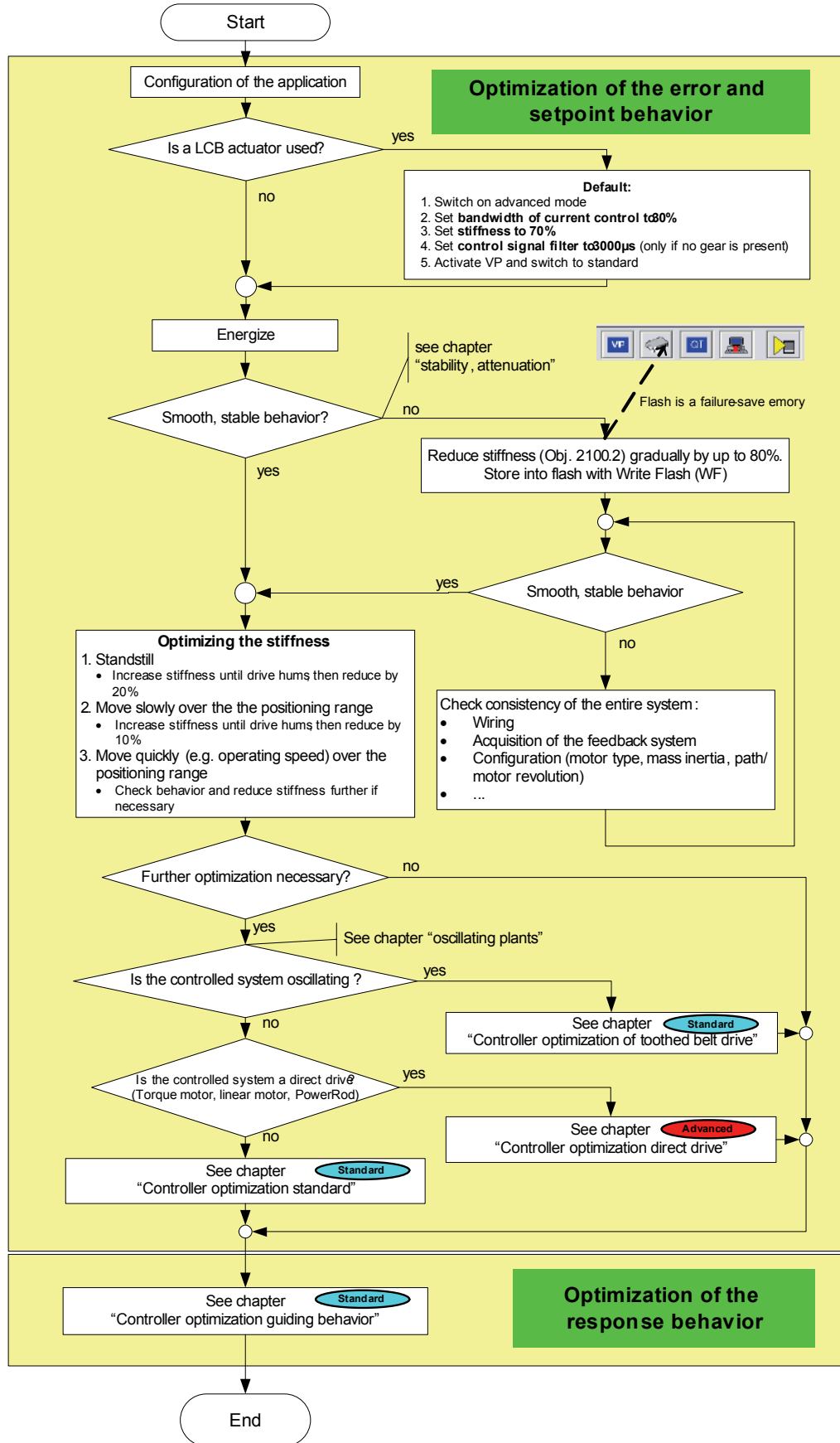
Main flow chart of the controller optimization .....	227
Controller optimization disturbance and setpoint behavior (standard) .....	228
Controller optimization disturbance and setpoint behavior (advanced) .....	230

If the control behavior is not sufficient for the present application, an optimization is required. We recommend the following approach:

##### Overview on the approach to setup + optimization

- ◆ At first, the disturbance and setpoint behavior of the velocity loop at standstill and at different displacement velocities is optimized (stiffness, attenuation, filter).
- ◆ After that, the necessary motion profiles are set via the setup tool and the desired guiding behavior in the entire velocity range is set via the feedforward control (motion profiles, feedforward).

**Main flow chart of the controller optimization**

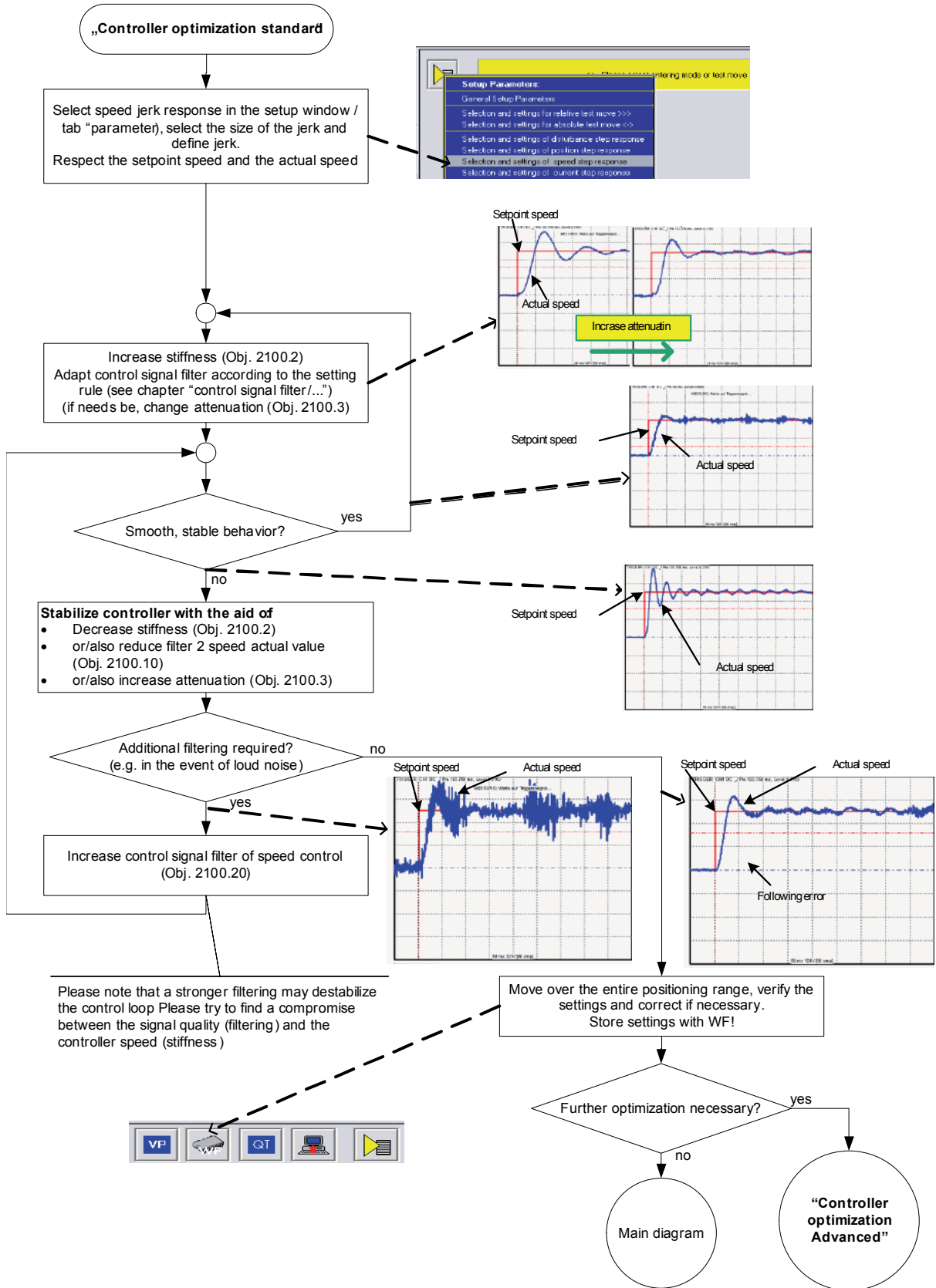


**Controller optimization disturbance and setpoint behavior (standard)**

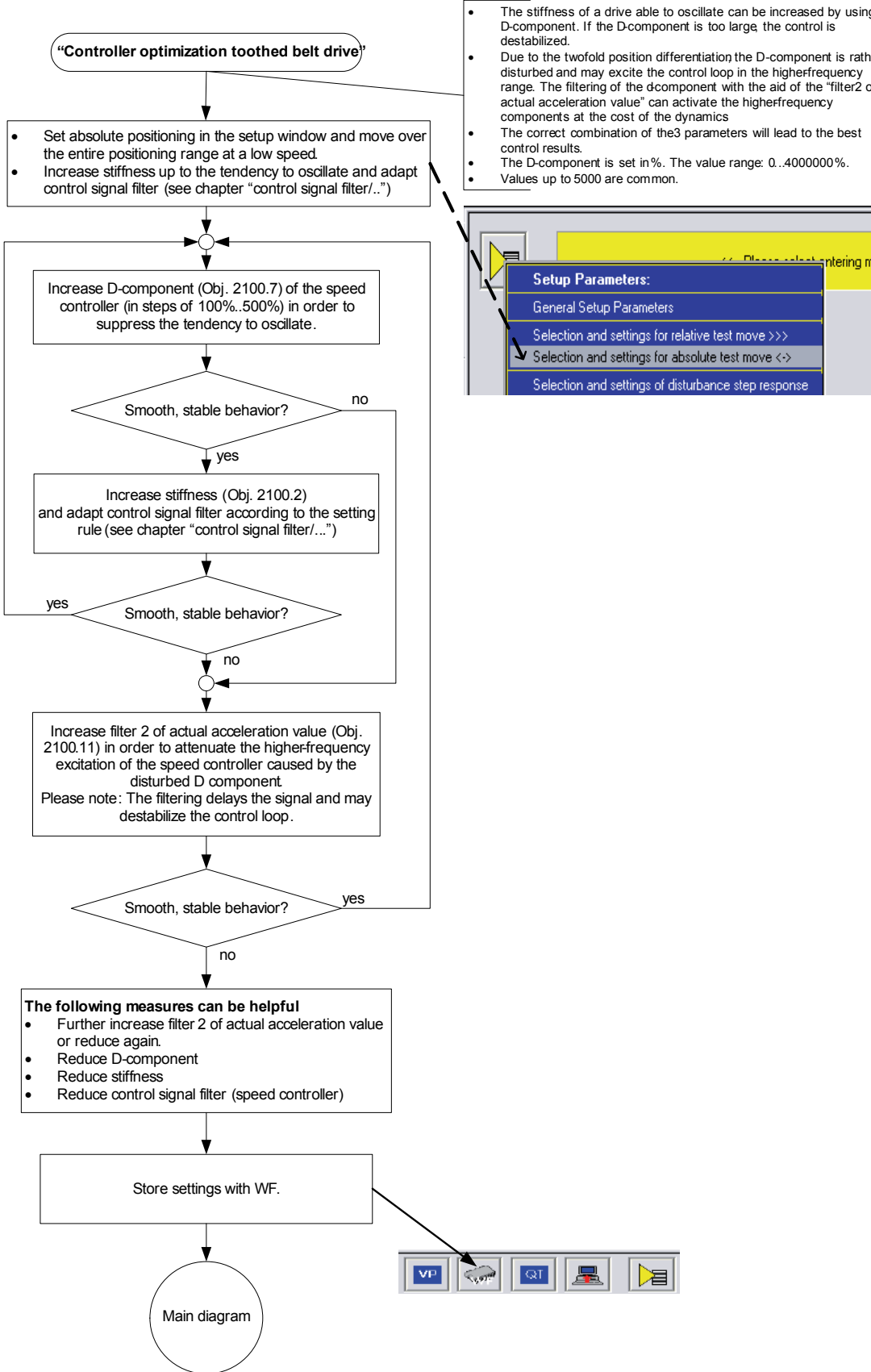
**In this chapter you can read about:**

Controller optimization standard ..... 228  
 Controller optimization of toothed belt drive ..... 229

**Controller optimization standard**



### Controller optimization of toothed belt drive

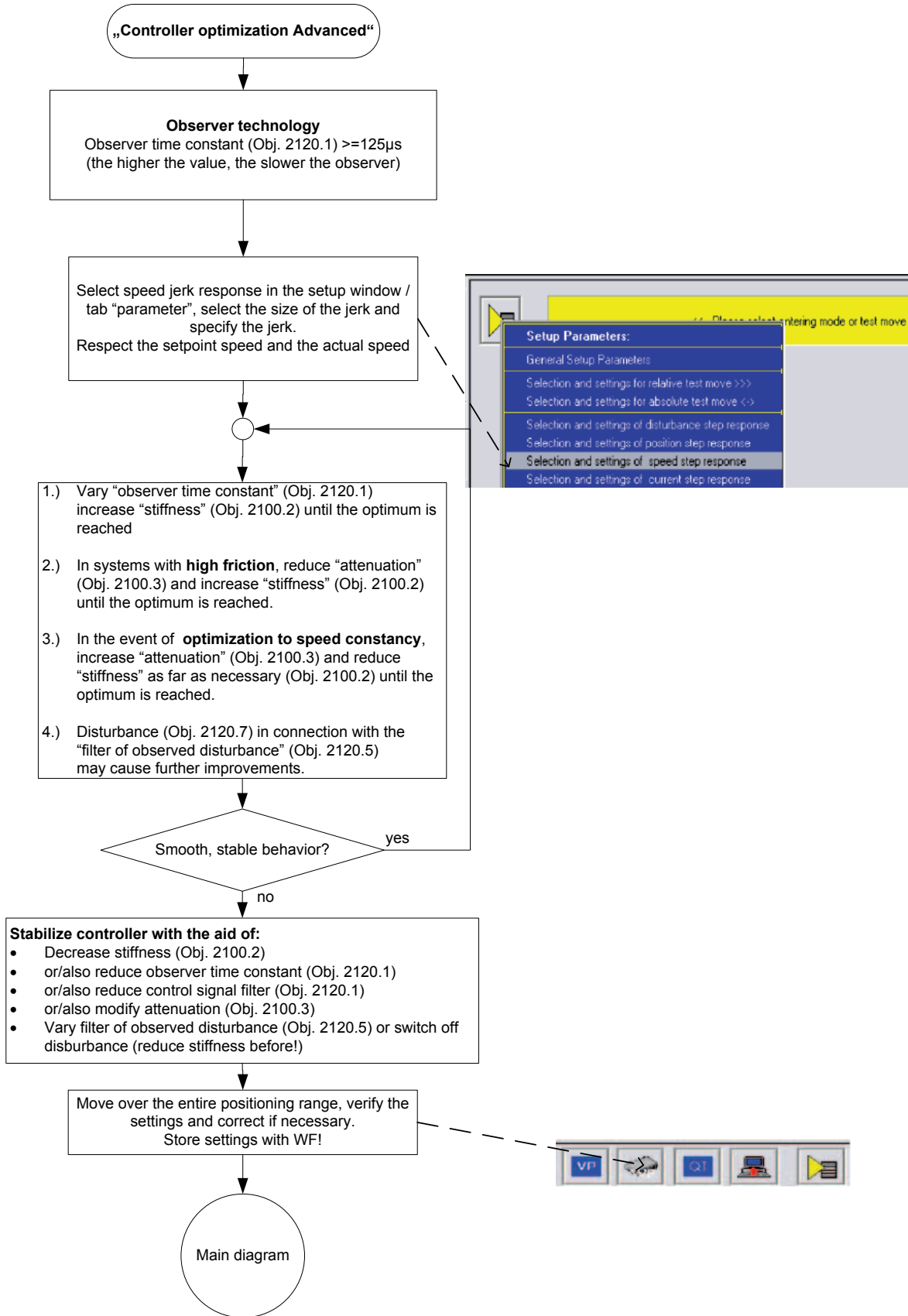


**Controller optimization disturbance and setpoint behavior (advanced)**

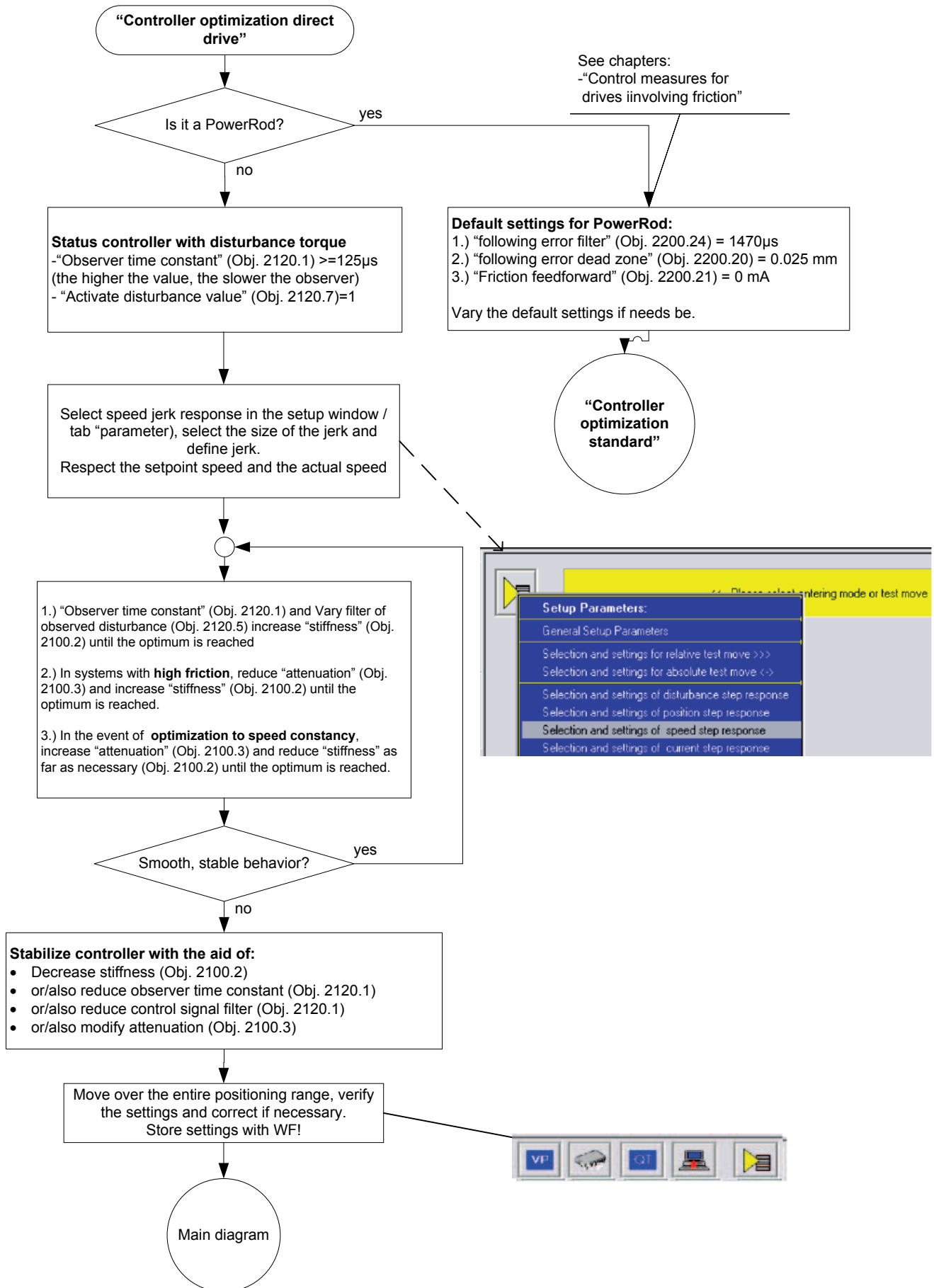
**In this chapter you can read about:**

Controller optimization Advanced ..... 230  
 Flow chart controller optimization of a direct drive..... 231  
 Controller optimization guiding transmission behavior..... 232

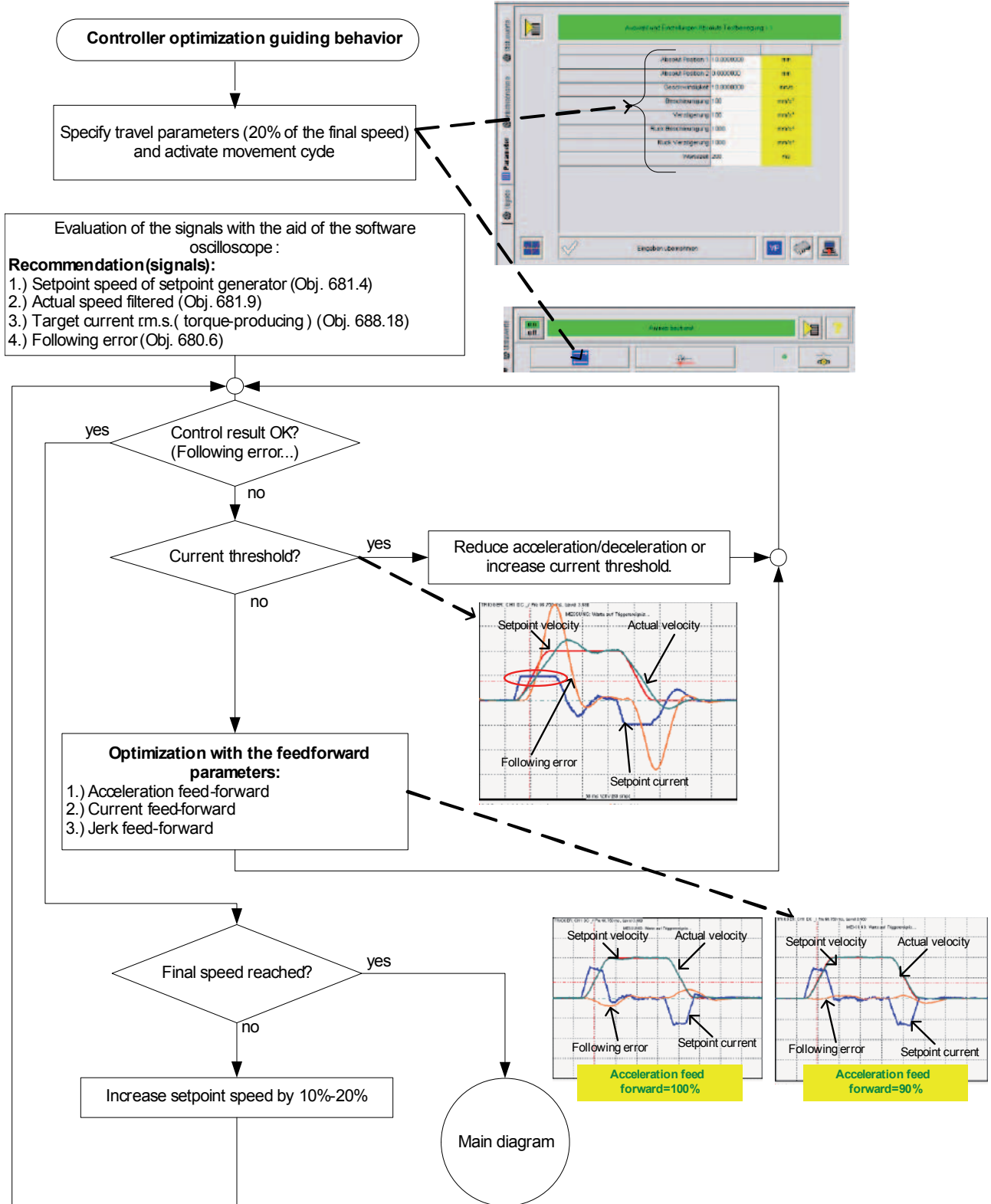
**Controller optimization Advanced**



**Flow chart controller optimization of a direct drive**



### Controller optimization guiding transmission behavior





### 4.4.4. Signal filtering with external command value

In this chapter you can read about:

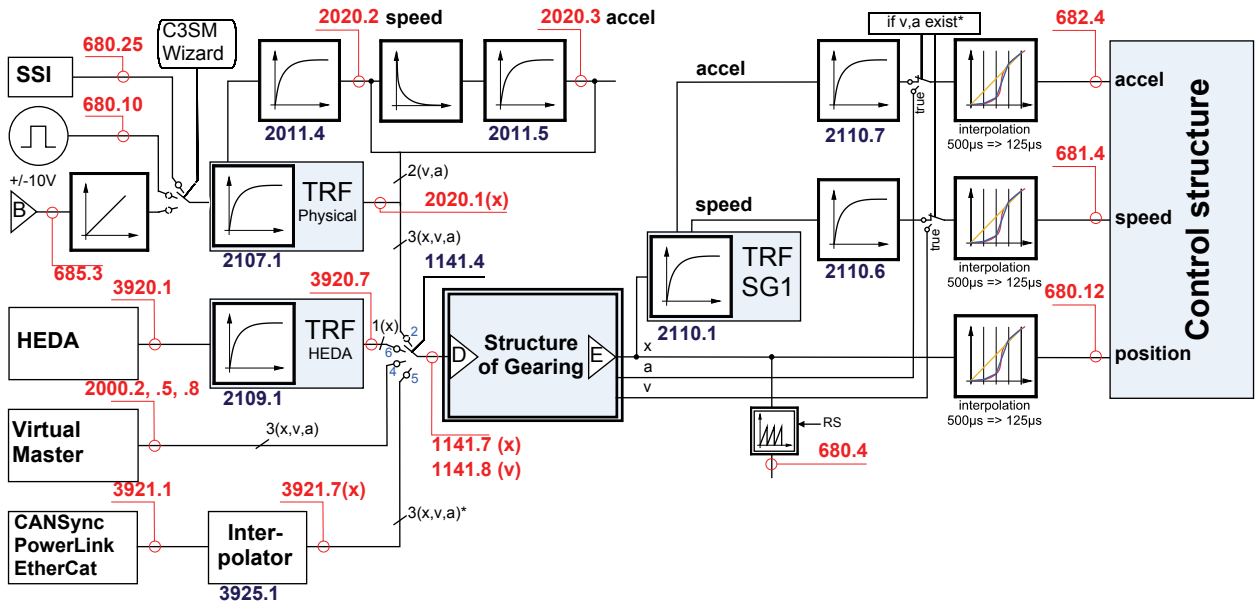
Signal filtering for external setpoint specification and electronic gearbox ..... 233

The command signal read in from an external source (via HEDA or physical input) can be optimized via different filters.

For this the following filter structure is available:

#### 4.4.4.1 Signal filtering for external setpoint specification and electronic gearbox

Does not apply for Compax3111T11!



\* Speed  $v$  and acceleration  $a$  are only present in the event of linear interpolation (method of interpolation: 03925.1 - 0x60C0) if they are provided by an external source.

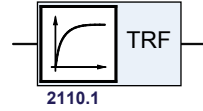
In quadratic or cubic interpolation,  $v$  and  $a$  are emulated.

B: **Structure image of the signal processing**,

D/E: Structure of Gearing

**Control structure** (see on page 204, see on page 209, see on page 211)

### Symbols



#### Tracking filter

The displayed filter influences all outputs of the tracking filter.

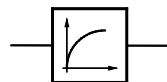
**Number:** Object number of the filter characteristic



#### Differentiator

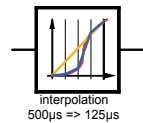
Output signal =  $d(\text{input signal})/dt$

The output signal is the derivation (gradient) of the input signal



#### Filter

**Number:** Object number of the filter characteristic



#### Interpolation

Linear Interpolation.

Values in the  $500\mu\text{s}$  grid are converted into the more exact time grid of  $125\mu\text{s}$ .

### Note:

- ◆ A setpoint jerk setpoint feedback is not required for external setpoint specification.
- ◆ The description of the objects can be found in the **object list** (see on page 322).

## 4.4.5. Input simulation

### In this chapter you can read about:

Calling up the input simulation .....	235
Operating Principle .....	236

**Function** The input simulation is used for the performance of tests without the complete input/output hardware being necessary.  
The digital inputs (standard and inputs of M10/M12 option) as well as the analog inputs are supported.  
The following operating modes are available for digital inputs:

- ◆ The physical inputs are deactivated, the digital inputs are only influenced via the input simulation.
- ◆ The digital inputs and the physical inputs are logically or-linked.  
This necessitates very careful action, as the required function is, above all with low-active signals, no longer available.

The pre-setting of an analog input value is always made in addition to the physical analog input.

The function of the inputs depends on the Compax3 device type; please refer to the respective online help or the manual.

**The input simulation is only possible if the connection with Compax3 is active and if the commissioning mode is deactivated!**

### 4.4.5.1 Calling up the input simulation

Open the optimization window (double click in the C3 ServoManager tree entry: Optimization).

Activate the Tab "Setup" in the right lower window.

Clicking on the following button will open a menu; please select the input simulation.



#### 4.4.5.2 Operating Principle

Window Compax3 InputSimulator:

**1. Row:** Standard Inputs E7 ... E0 = "0" button not pressed; = "1" switch pressed

**2. Row:** Optional digital inputs (M10 / M12)

Green field: port 4 is defined as input

Red field: port 4 is defined as output

the least significant input is always on the right side

**3. Row:** If the button "deactivating physical inputs" is pressed, all physical, digital inputs are deactivated; only the input simulation is active.

If both sources (physical and simulated inputs) are active, they are or-linked!



**Caution!**

Please consider the effects of the or-linking; above all on low-active functions.

**4. Row:** Simulation of the analog inputs 0 and 1 in steps of 100mV.

The set value is added to the value on the physical input.

**After the input simulation has been called up, all simulated inputs are on "0".**

**When the input simulation is left, the physical inputs become valid.**

## 4.4.6. Setup mode

The setup mode is used for moving an axis independent of the system control  
The following functions are possible:

- ◆ Homing run
- ◆ Manual+ / Manual-
- ◆ Activation / deactivation of the motor holding brake.
- ◆ Acknowledging errors
- ◆ Defining and activating a test movement
- ◆ Activating the digital outputs.
- ◆ **Automatic determination of the load characteristic value** (see on page 239)
- ◆ Setup of the **load control** (see on page 158)

### Activating the commissioning mode



By activating the setup mode, the device function is deactivated; the system function of the device is no longer available.

Access via an interface (RS232/RS485, Profibus, CANopen,...) and via digital inputs is deactivated. (if necessary, acyclic communication ways are nevertheless possible (e.g. Profibus PKW channel))

#### **Caution!**

**The safety functions are not always guaranteed during the setup mode!  
This will for instance lead to the fact that the axis may trundle to a stop if the Emergency stop button is pressed (interruption of the 24 V on C3S X4.3), which requires special caution with z axes!**

- ◆ In the Commissioning window (left at the bottom) the commissioning mode is activated.
- ◆ Then parameterize the desired test movement in the Parameter window.  
You can accept changed configuration settings into the current project.
- ◆ Now energize drive in the commissioning window and start the test movement.



### **Caution! Safeguard the travel range before energizing!**

### Deactivating the commissioning mode



If the setup mode is left, the drive is deactivated and the the device function is re-activated.

- Note:**
- ◆ The parameters of the commissioning window are saved with the project and are loaded into Compax3 if the commissioning mode is activated (see explanation below).

### 4.4.6.1 Motion objects in Compax3

The motion objects in Compax3 describe the active motion set.

The motion objects can be influenced via different interfaces.

The following table describes the correlations:

Source	active motion objects		Compax3 device
	==>	describe	
	<==	read	
<b>Set-up</b> (working with the commissioning window)	==>	<ul style="list-style-type: none"> <li>◆ With the "accept entry" button.</li> <li>◆ The current project gets a motion set. Download by activating the motion</li> </ul>	<b>Active motion objects:</b> <ul style="list-style-type: none"> <li>◆ Position [O1111.1]</li> <li>◆ Speed [O1111.2]</li> <li>◆ Acceleration [O1111.3]</li> <li>◆ Deceleration [O1111.4]</li> <li>◆ jerk* [O1111.5] (Acceleration)</li> <li>◆ Jerk* [O1111.6] (Deceleration)</li> </ul> * for IxxT11 - devices, both jerk values are identical
	<==	<ul style="list-style-type: none"> <li>◆ When opening the commissioning window of a new project for the first time.</li> <li>◆ Activated via the "Upload settings from device" button (bottom at the left side).</li> </ul>	
<b>Compax3 ServoManager project</b>	==>	<ul style="list-style-type: none"> <li>◆ C3IxxT11: via an activated motion set</li> <li>◆ C3I2xT11: via a configuration download</li> </ul>	
	<==	For Compax3 I2xT11: <ul style="list-style-type: none"> <li>◆ via a configuration upload</li> <li>◆ in the commissioning window via "accept configuration"</li> </ul>	
<b>Fieldbus (Compax3 I2xTxx)</b>	==>	<ul style="list-style-type: none"> <li>◆ Changing the motion objects directly</li> </ul>	
	<==	<ul style="list-style-type: none"> <li>◆ Reading the motion objects</li> </ul>	
<b>IEC61131-3 program</b> (Compax3 IxxT30, IxxT40)	==>	<ul style="list-style-type: none"> <li>◆ via positioning modules</li> </ul>	

## 4.4.7. Load identification

### In this chapter you can read about:

Principle .....	239
Boundary conditions .....	239
Process of the automatic determination of the load characteristic value (load identification).....	240
Tips .....	241

Automatic determination of the load characteristic value:

- ◆ of the mass moment of inertia with rotary systems
- ◆ of the mass with linear systems

### 4.4.7.1 Principle

The load characteristic value is automatically determined.

For this it is necessary to excite the system additionally with a signal (excitation signal = noise).

The excitation signal is fed into the control loop. The control loop dampens the excitation signal. Therefore, the superimposed control loop is set so slowly by reducing the stiffness, that the measurement is not influenced.

A superimposed test movement is additionally possible. This helps to eliminate possible mechanical effects such as rubbing caused by friction.

### 4.4.7.2 Boundary conditions

If the control is instable before the beginning of the measurement, please reduce the stiffness (in the optimization window at the left bottom)

The following factors can disturb a measurement:

- ◆ Systems with high friction (e.g. linear actuators with sliding guide)  
Here, the systems where the static friction is considerably higher than the kinetic friction (slip-stick effect) are especially problematic.
- ◆ Systems with significant slack points (play)
- ◆ Systems with "too light" or susceptible to oscillation bearing of the total drive (rack).  
Formation of rack resonances. (e.g. with gantries,...)
- ◆ Non constant disturbance forces which influence the speed development. (e.g. extremely strong slot moments)

The effects of the factors one to three on the measurement can be reduced by using a test movement.

### **Caveat emptor (exclusion of warranty)**

Due to multiple possibilities for disturbing influences of a real control path, we cannot accept any liability for secondary damages caused by faultily determined values. Therefore it is essential to verify all values automatically determined before loading them into the control loop.

#### 4.4.7.3 Process of the automatic determination of the load characteristic value (load identification)

- ◆ Please click on "unknown: default values are used" in the configuration wizard in the "External moment of inertia" window.
- ◆ After the configuration download, you can enter directly, that the optimization window is to be opened.
- ◆ In the Commissioning window (left at the bottom) change to commissioning mode.
- ◆ Finally enter the values of the excitation signal and of the test movement in the parameter window.  
Parameters of the excitation signal:
  - ◆ Amplitude of the excitation signal in % of the motor reference current  
Only an amplitude value causing a distinct disturbance can give a usable result.
  - ◆ permissible following error  
In order to avoid a following error caused by the excitation signal, the permissible following error must be increased for the measurement if necessary.
  - ◆ Selection of the test movement: inactive, reverse, continuous
  - ◆ Parameterizing of the test movement if necessary
- ◆ Now energize drive and open load identification window in the commissioning window.



#### **Caution! Safeguard the travel range before energizing!**

- ◆ Starting the load identification.



#### **Caution! The drive will perform a jerky movement during load identification!**

- ◆ After the measurement, the values can be accepted. Depending on the application, 2 measurements for minimum external load and maximum external load are recommended.



#### 4.4.7.4 Tips

Tip	Problem	Measures
1	Speed too low (with reverse operation)	Increase maximum speed and adapt travel range*
2	Speed too low (with continuous operation)	Increase maximum speed
3	Test movement missing	A test movement is important for drives with high friction or with mechanical slack points (play).
4	No error detected	Please note the <b>boundary conditions</b> (see on page 239).
5	Speed too low and amplitude of the excitation signal too small (with reverse operation)	Increase amplitude of the excitation signal; increase maximum speed and adapt travel range*
6	◆ Speed too low and ◆ amplitude of the excitation signal too small (with continuous operation)	Increase amplitude of the excitation signal; increase maximum speed.
7	◆ Test movement missing ◆ amplitude of the excitation signal too small	◆ Increase amplitude of the excitation signal or / and ◆ activate an appropriate test movement
8	amplitude of the excitation signal too small	Increase the amplitude of the excitation signal.
9	Following error occurred	Increase the parameter "permissible following error" or decrease the amplitude of the excitation signal.

\*if the travel range is too short, the speed is not increased, as the drive does not reach the maximum speed.

### 4.4.8. Alignment of the analog inputs

In this chapter you can read about:

Offset alignment ..... 242  
 Gain alignment ..... 242  
 Signal processing of the analog inputs..... 242

There are two possibilities to align the analog inputs in the optimization window:

- ◆ Wizard-guided under commissioning: Commissioning functions (click on the yellow triangle with the left mouse button:

**Attention”**

This wizard guided automatic alignment does not work if you bridge Ain+ with Ground for the alignment!

In this case, please make a manual alignment as described below.

or

- ◆ by directly entering under optimization: Analog Input

### 4.4.8.1 Offset alignment

Performing an offset alignment when working with the  $\pm 10V$  analog interface in the optimization window under optimization: Analog input Offset [170.4].

Enter the offset value for 0V input voltage.

The currently entered value is shown in the status value "analog input" (optimizing window at the top right) (unit: 1  $\equiv$  10V). Enter this value directly with the same sign as offset value.

The status value "analogue input" shows the corrected value.

### 4.4.8.2 Gain alignment

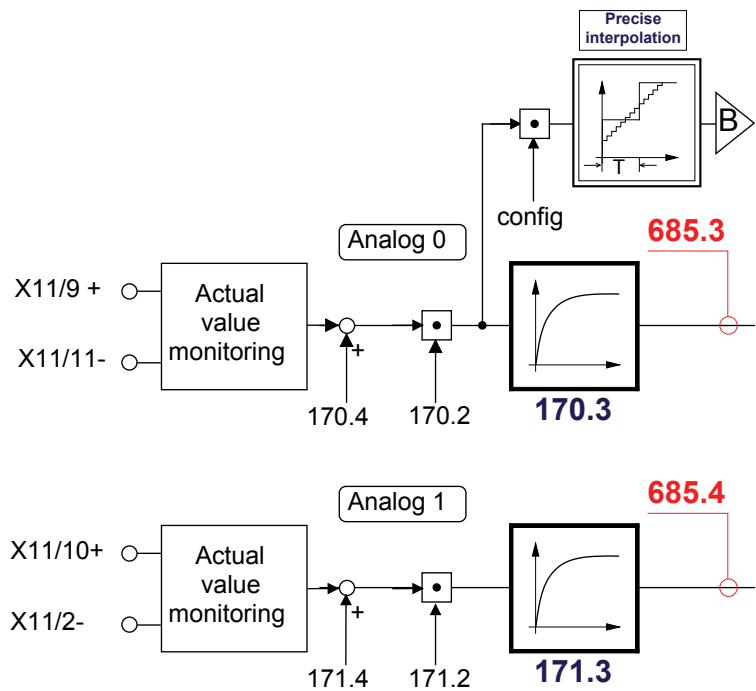
Performing an offset alignment when working with the  $\pm 10V$  analog interface in the optimization window under optimization: Analog input: Gain [170.2].

A gain factor of 1 has been entered as default value.

The currently entered value is shown in the status value "analog input" (optimizing window at the top right).

The status value "analogue input" shows the corrected value.

### 4.4.8.3 Signal processing of the analog inputs



B: Continuitive structure image (see on page 233)

## 4.4.9. C3 ServoSignalAnalyzer

### In this chapter you can read about:

ServoSignalAnalyzer - function range .....	243
Signal analysis overview.....	244
Installation enable of the ServoSignalAnalyzer .....	245
Analyses in the time range.....	247
Measurement of frequency spectra.....	250
Measurement of frequency responses .....	253
Overview of the user interface .....	259
Basics of frequency response measurement .....	272
Examples are available as a movie in the help file.....	277

### 4.4.9.1 ServoSignalAnalyzer - function range

The function range of the ServoSignalAnalyzer is divided into 2 units:

#### **Analysis in the time range**

This part of the function is freely available within the Compax3 ServoManager.  
The Compax3 ServoManager is part of the Compax3 servo drive delivery range.

#### **Analysis in the frequency range**

This part of the function requires a license key which you **can buy** (see on page 245).

The license is a company license and must only be bought once per company.  
For each PC you need however an individual key, which you can request individually.

#### 4.4.9.2 Signal analysis overview

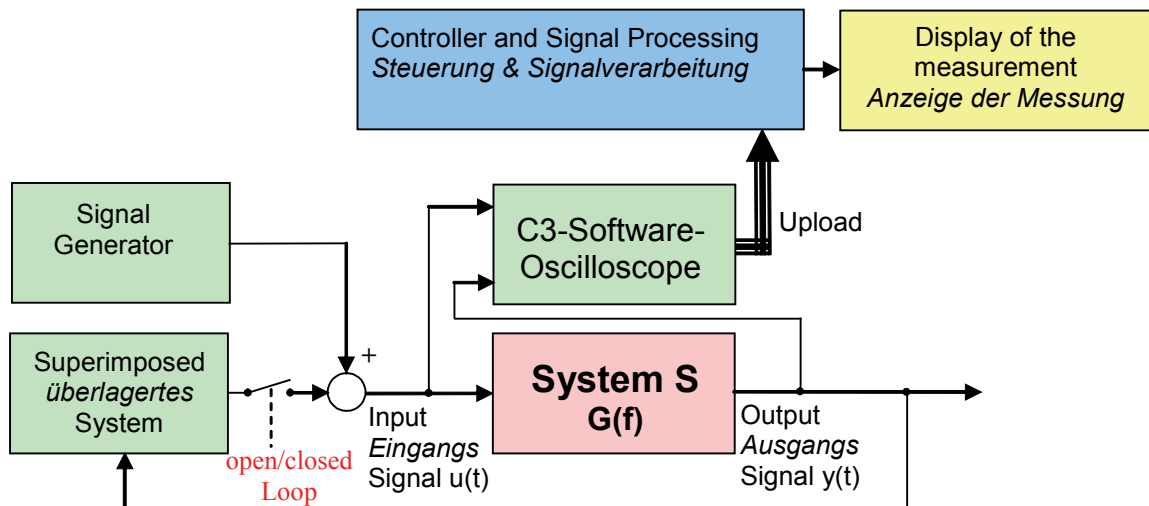
The ServoSignalAnalyzer offers three basic methods of analyzing systems:

- ◆ Analysis in the time range by measuring the step response
- ◆ Spectral analysis of individual signals
- ◆ Measurement of frequency response (Bode diagram) of the position control or of individual parts of the control as well as of the control path

These functions are available in the Compax3 ServoManager after the **activation** (see on page 245) with the aid of a system-dependent key.

You do not require expensive and complex measurement equipment -> a Compax3 device and a PC will do!

#### Basic structure of the signal analysis



#### Systems / signals

Depending on the kind of measurement, the SignalAnalyzer can help analyze the most different signals and systems.

#### Signal generator

This allows to inject different excitation signals (step, sine and noise signals) into the control loop.

#### Superposed system

For different analyses, superposed systems must be manipulated in order to allow a measurement. After the measurement, the changes made for this purpose are reset

#### C3 software oscilloscope

With the aid of the software oscilloscope, the contents of different objects can be registered and be loaded into the PC for further analysis.

#### Control and signal processing

The control of the entire measurement as well as the processing of the uploaded sample data are made in the PC.

### 4.4.9.3 Installation enable of the ServoSignalAnalyzer

#### In this chapter you can read about:

Prerequisites .....	245
Installation .....	245
Activation.....	245

#### Prerequisites

- ◆ Compax3 with up-to-date controller board (CTP 17)
- ◆ Firmware version R06-0 installed

#### Installation

- ◆ Execution of the C3 ServoManager Setup (on CD)
- ◆ If the firmware is too old => update with the aid of the firmware from the CD

#### Activation

In order to being able to use the analysis functions in the frequency range (for example frequency response measurement), a software activation is required.

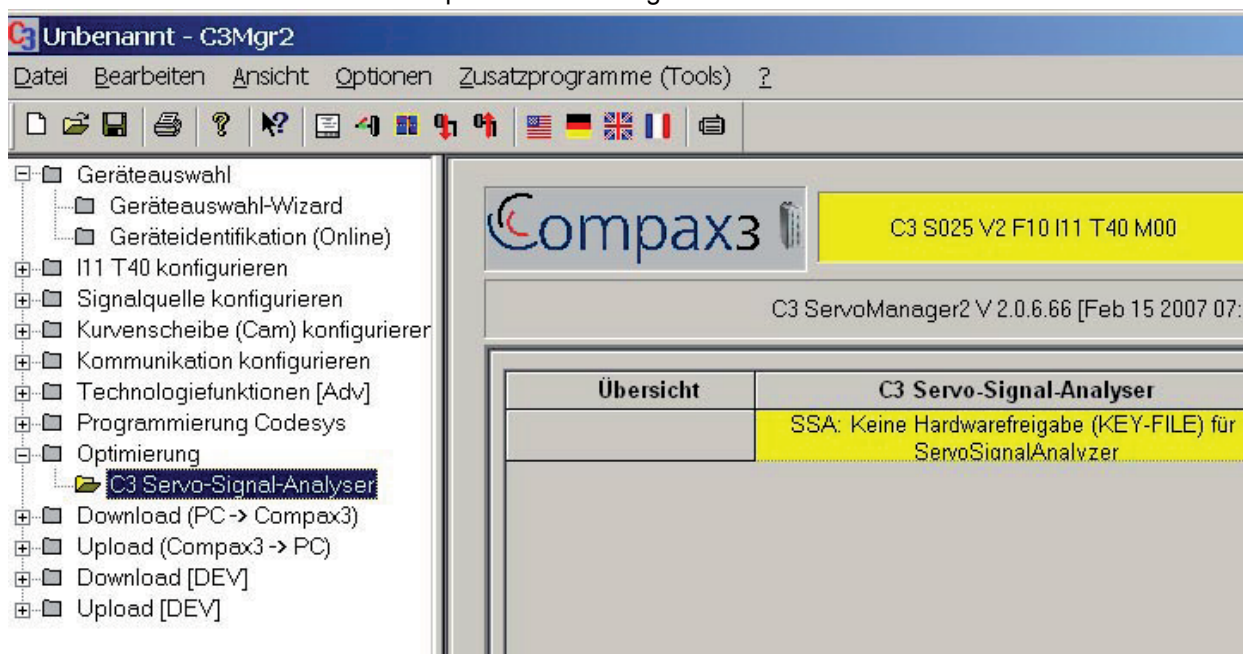
#### Please observe:

**The activation is only valid for the PC on which it was performed!**

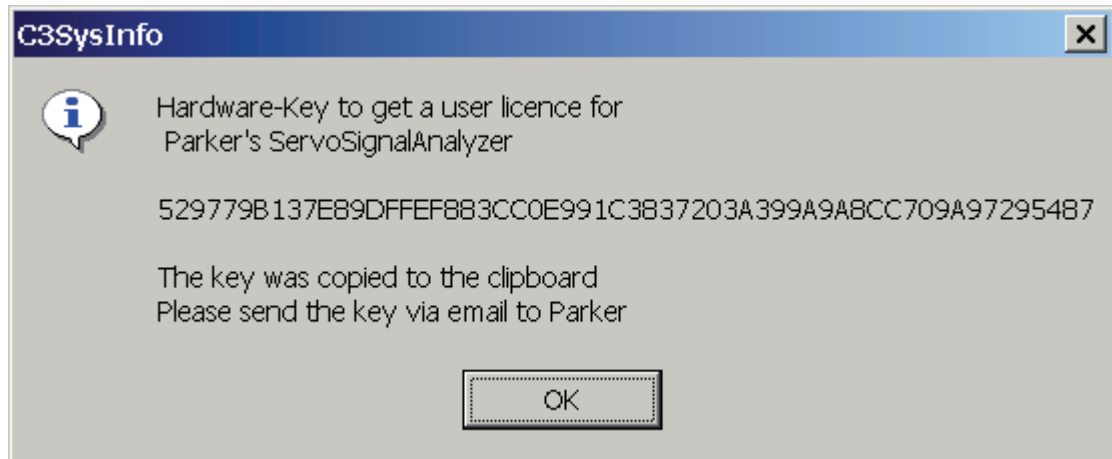
**Caution!** If the PC disposes of network adapters which are removed at times (e.g. PCMCIA cards or notebook docking stations), these adapters should be removed before generating the key!

In order to activate the ServoSignalAnalyzer, please follow these steps:

- ◆ Start the Compax3 ServoManager.



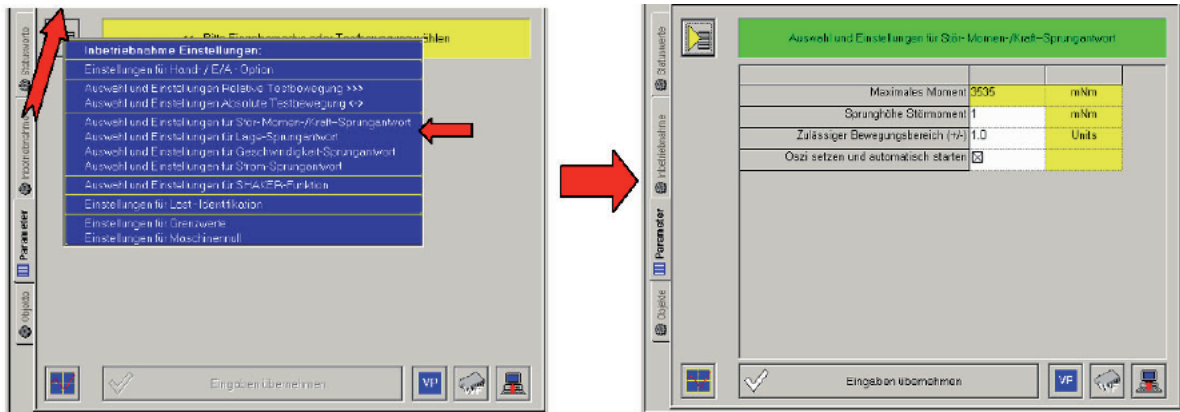
- ◆ Select the Select the C3 ServoSignalAnalyzer in the function tree under optimization.  
In the right part of the window you can see the note that no key file was found.
- ◆ A double click on the preselected C3 ServoSignalAnalyzer will generate a system-dependent key.



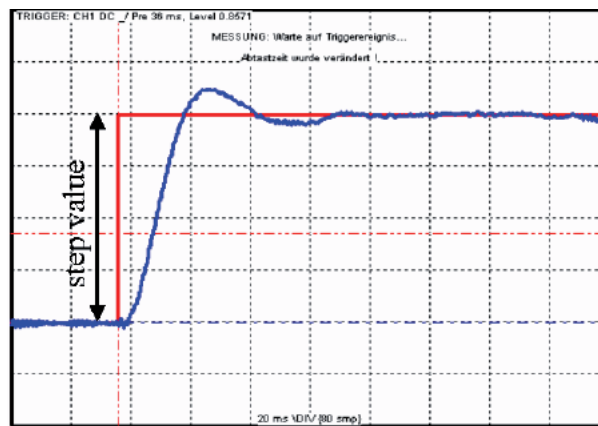
- ◆ Acknowledge with OK and enter the key, which is on your clipboard, into an e-mail, which you please send to **eme.ssalicence@parker.com** (**mailto:eme.ssalicence@parker.com**).
- ◆ After receipt of the reply, copy the attached file "C3\_SSA.KEY" into the C3 ServoManager directory (C:\Programs\Parker Hannifin\C3Mgr2\).
- ◆ => the software is activated.

### 4.4.9.4 Analyses in the time range

#### Selection and parameterization of the desired analysis function



#### Exemplary step function



step Value = Step Size

The following functions are available:

**Position demand value step: For analysis of the demand value behavior of the position control****Step value < (admissible motion range / 2)**

=&gt; even a 100% overshoot does not incite an error message

**Speed demand value step: For analysis of the demand value behavior of the speed control**

The position control is switched off during the measurement, this might lead in exceptional cases to a slow drift of the position.

Furthermore you should make sure that the selected speed step value corresponds to the parameterized admissible motion range.

**Step value < (admissible motion range / time of measurement)**

with time of measurement &gt; 2s

**Current demand value step: For analysis of the demand value behavior of the current control**

The current setpoint jerk is set at the end of the oscilloscope recording time, but is reset to 0 after max. 50mS.

**Caution!**

- ◆ Many systems are not stable without control!
- ◆ Position as well as speed control are switched off during measurement =>  
**no measurement on z-axes!**

**Disturbance torque / force step response: For analysis of the disturbance value behavior of the control**

The step of an external disturbance force is simulated and the reaction of the controller is registered.

**Shaker function**

For this, a sine signal is injected to the current which is used to excite the mechanic system. This allows to analyze the oscillation behavior - what oscillates at which frequency.

**Basic settings of the analysis functions:****Maximum torque / maximum current / maximum speed (display):**

This is used as a lead for the selection of a suitable step value and indicates which maximum step value is possible.

**Step value:**

Gives the value of a step.

**Permissible motion range (+/-):**

- ◆ Indication, in which position window the axis may move during the analysis.
- ◆ This range is not left even in the event of an error.
- ◆ If the drive approaches the limits of the motion range, the controller will decelerate so that the drive will come to a standstill within the permitted motion range. The maximum permitted velocity is used to calculate the deceleration ramp, therefore the drive stops even before reaching the range limits and reports an error.
- ◆ Please make sure that a sufficiently large movement is set for the measurement and that it will be reduced by a high maximum permitted velocity.
- ◆ The motion range monitoring is especially important during current step responses, as position as well as speed control are deactivated during the measurement.

**Max permitted speed**



When exceeding this value, an error is triggered, the controller decelerates and reports an error.

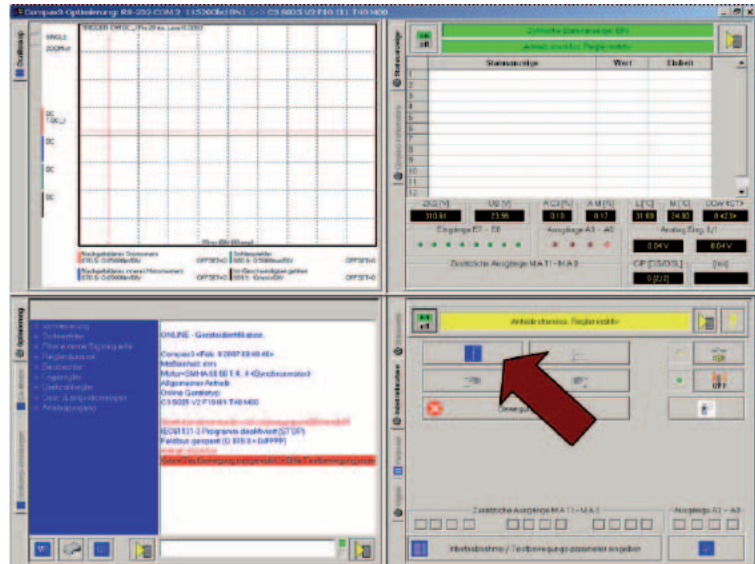
When measuring the velocity setpoint jerk, the maximum permitted velocity is set to twice the step height.

**Setting and automatic start of the oscilloscope:**

After pressing "accept entries", the parameters of the oscilloscope (such as scanning time and the assignment of the individual channels) are automatically set to default values according to the respective step value.

When starting the step function, the oscilloscope is automatically started.

**Start of the measurement**



The start of the step function is made with the aid of the highlighted button.

### 4.4.9.5 Measurement of frequency spectra

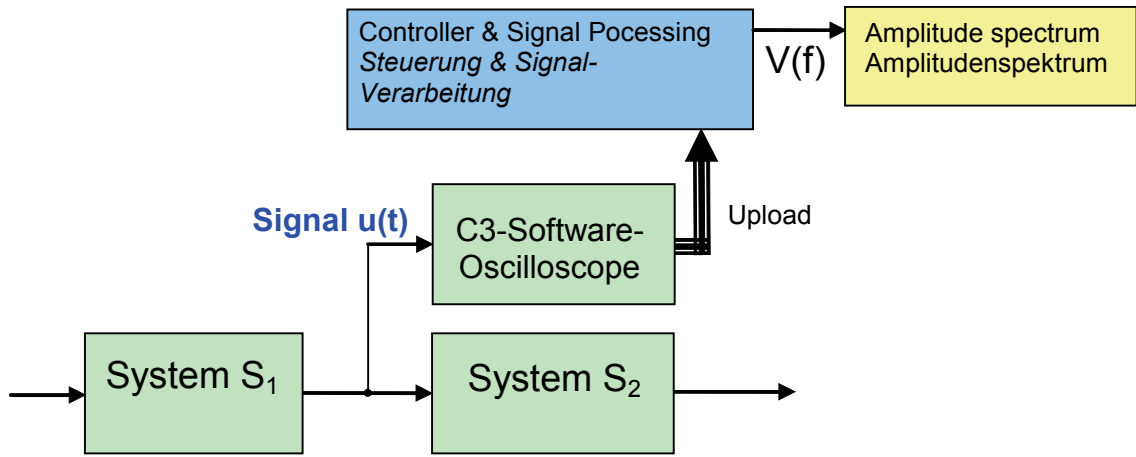
In this chapter you can read about:

Functionality of the measurement..... 250  
 Leak effect and windowing..... 251

**Please note that you require a license key (see on page 245, see on page 243) for this application!**

#### Functionality of the measurement

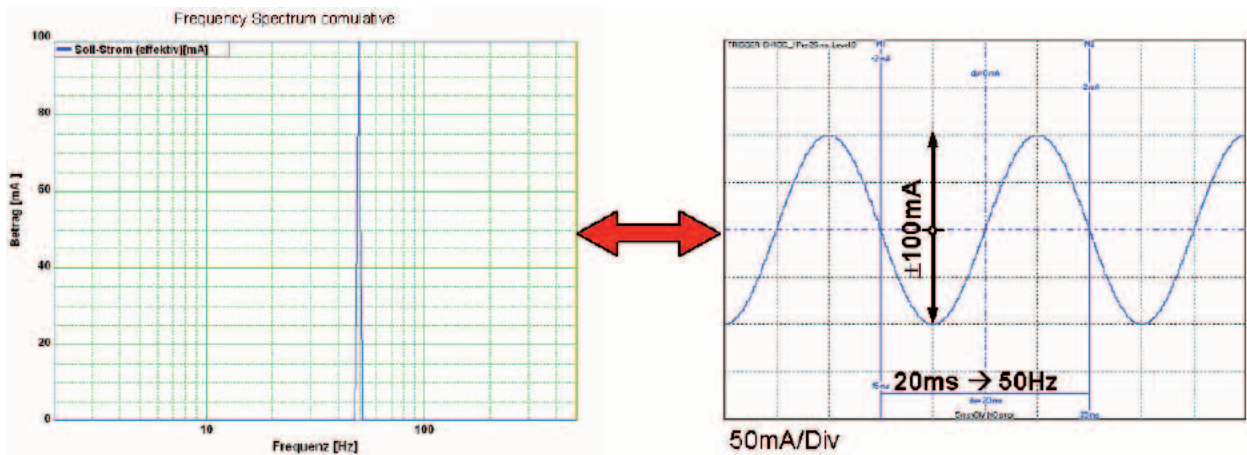
##### Measurement of the spectral analysis



During the spectral analysis of scanned signals with the aid of the discrete Fourier transformation, a so-called frequency resolution ( $\Delta f$ ) results,  $\Delta f$  being  $=f/N$ , independently of the scanning frequency ( $f$ ) and of the number of measurement values used ( $N$ ).

The spectra of scanned signals are only defined for frequencies, which are an integer multiple of this frequency resolution.

##### Interpretation of the frequency spectrum

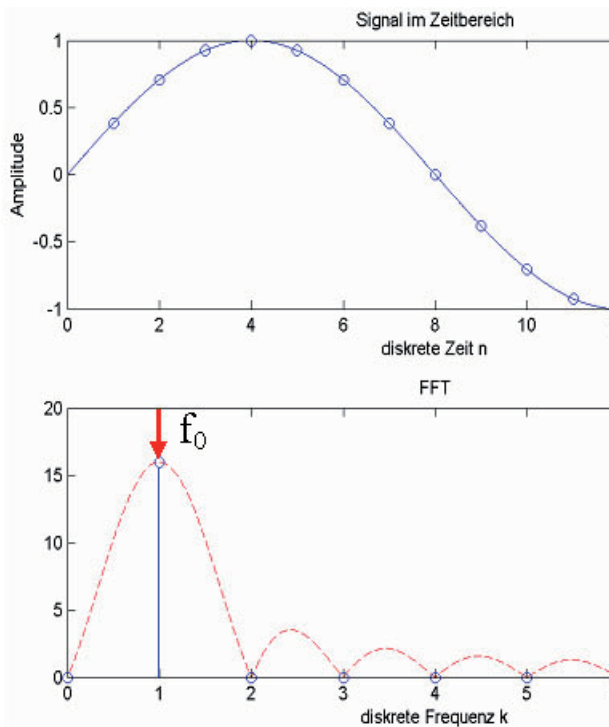


### Leak effect and windowing

If frequencies not corresponding to the frequency resolution are present in the analyzed spectrum, the so-called leak effect can be caused.

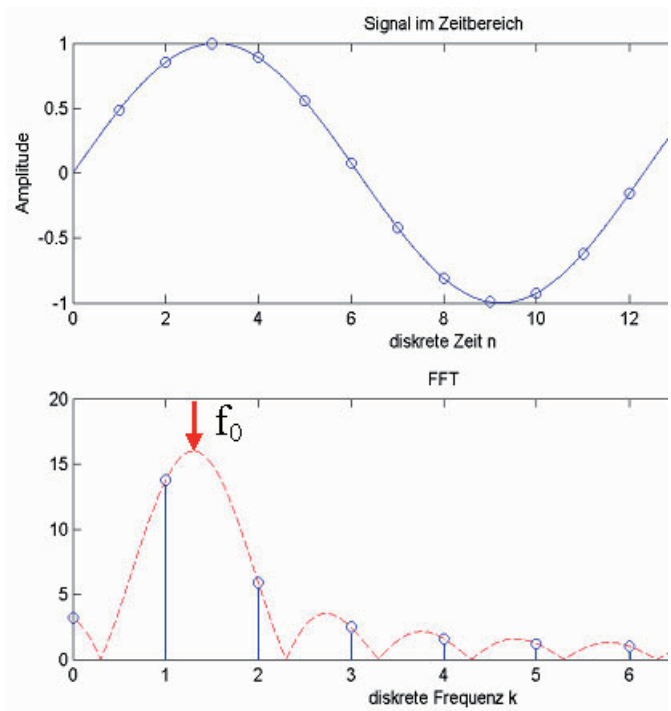
#### Display of the leak effect with the aid of a 16 point discrete Fourier transformation

##### Complete oscillation period in the scanning period



Envelope without leak effect

##### Non complete oscillation period in the scanning period



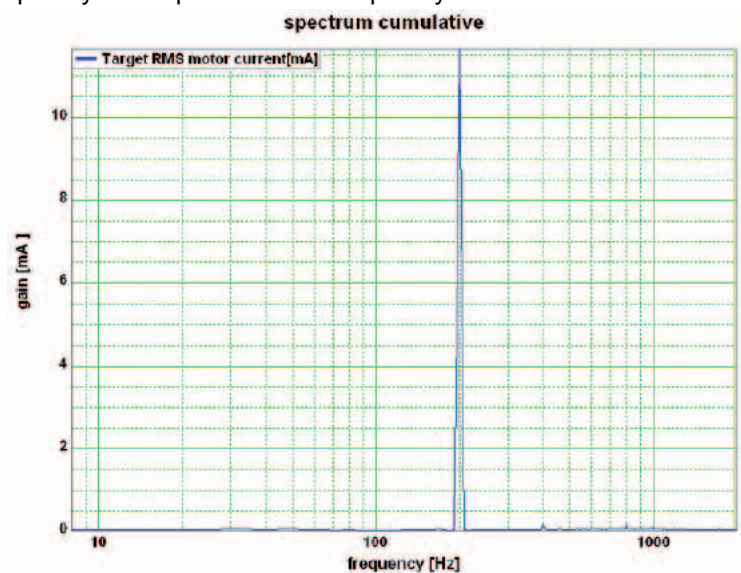
Envelope with leak effect

### Sine at 200Hz without windowing

Consequence of the leak effect shown at the example of a sine signal.

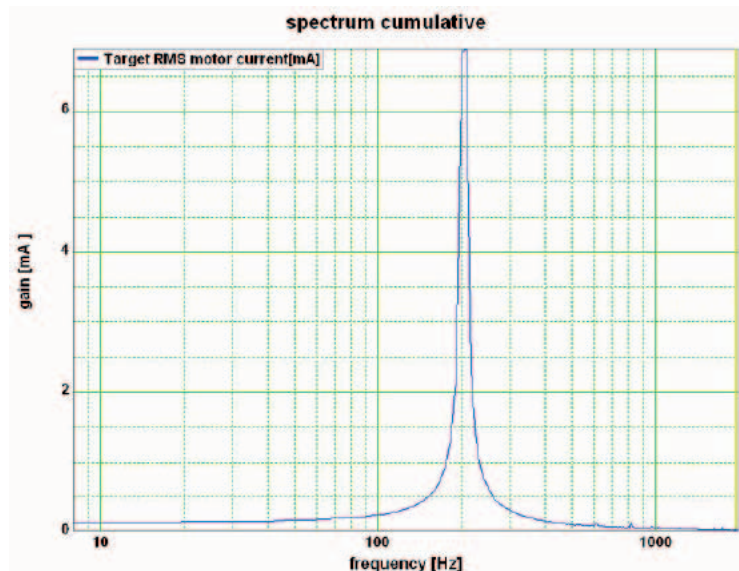
( $f_A=4000\text{Hz}$ ;  $N=500$ ;  $\Rightarrow \Delta f=8\text{Hz}$ )

$f_0=200\text{Hz} = 25 \cdot \Delta f$  frequency corresponds to the frequency-resolution



The sine frequency is exactly on a multiple of the frequency resolution (200Hz / 8Hz=25). The spectrum is clearly separated and there are no leak effects visible.

### Sine at 204Hz



$\Delta f = 8\text{Hz} / f_0 = 204\text{Hz} = 25.5 \cdot \Delta f / \text{frequency}$  does not correspond to the frequency resolution!

The sine frequency has only minimally changed, due to which it does, however, no longer match the frequency resolution ( $204\text{Hz}/8\text{Hz}=25.5$ ) => leak effect

Two consequences are visible:

**The spectrum is faded in the ranges at the right and at the left of the sine frequency. In this range, an amplitude is displayed, even though these frequencies are not contained in the real signal.**

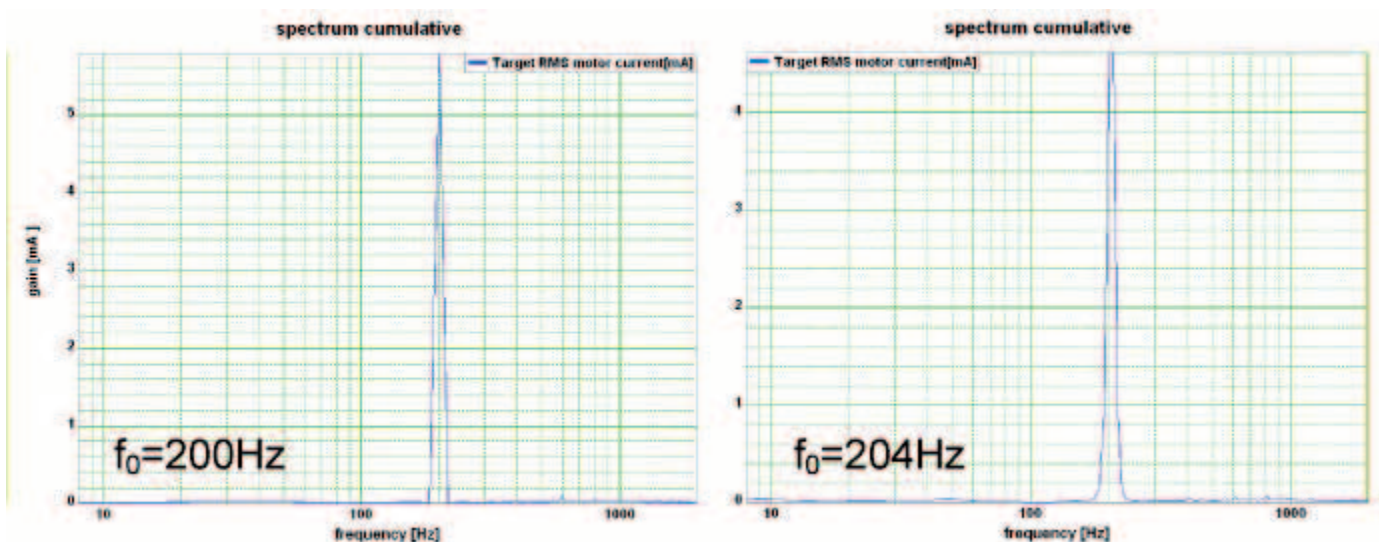
◆ The height of the peak of the sine frequency is reduced, => it seems as if the signal energy is leaking out and distributing over the spectrum. This explains the term leak effect.

### Windowing

With the aid of the windowing, leak effects can be avoided. There are many different kinds of windowing, who do all have the same restrictions.

- ◆ windowing reduces the total energy of the analyzed signal, which results in a reduced amplitude of all measured frequencies.
- ◆ Individual frequency peaks do not appear so sharp and narrow as with measurements without windowing.

### Sine at 200Hz and 204Hz with Hanning windowing



### 4.4.9.6 Measurement of frequency responses

**In this chapter you can read about:**

Safety instructions concerning the frequency response measurement..... 253  
 Functionality of the measurement..... 253  
 Open/Closed Loop frequency response measurement ..... 255  
 Excitation Signal..... 256  
 Non-linearities and their effects..... 256

**Please note that you require a license key (see on page 245, see on page 243) for this application!**

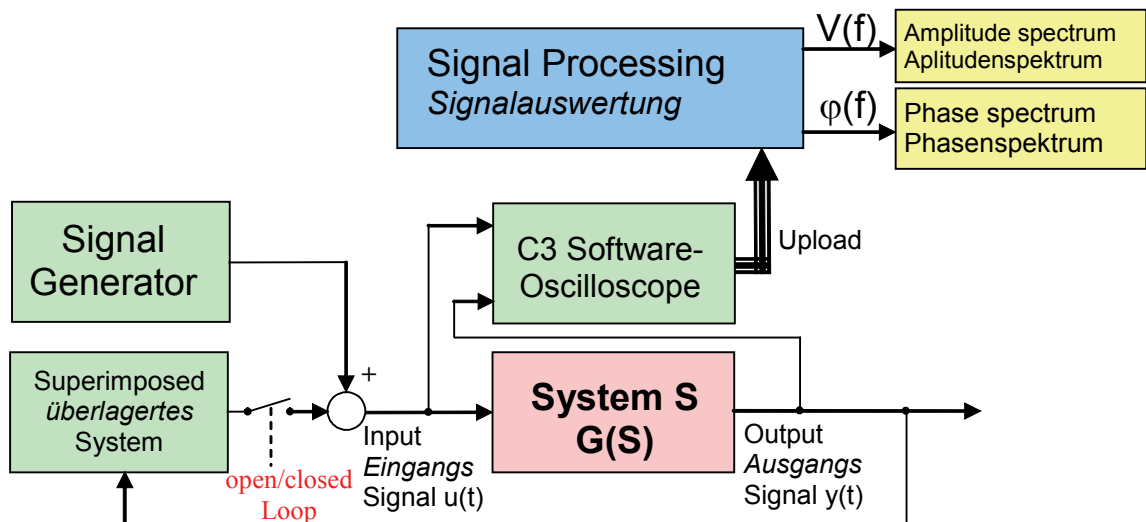
#### Safety instructions concerning the frequency response measurement

During the measurement of the frequency response, the control is changed and influenced in multiple ways. You should therefore respect the following notes:

- ◆ During the measurement, the entire system is excited via a broad frequency spectrum. This might damage especially sensitive components (such as lenses) The risk increases with the extent of the excitation. In addition, natural mechanical frequencies may cause an increased excitation of individual components.
- ◆ The measurement of the frequency response can only be made in the setup mode with energized controller.
- ◆ During the current measurement (between start and stop of the measurement), no write flash may be executed.
- ◆ In the event of a break in communication during the measurement, the controller must be switched off and then on again in order to reestablish the original status.
- ◆ Changes of the controller parameters during the measurement are not permitted. Those may be overwritten by standard values when the measurement is terminated.

#### Functionality of the measurement

##### Basic structure of a frequency response measurement



In general, the analysis of the dynamic behavior of a system is made by analyzing the input and output signals.

If you transform the input signal as well as the output signal of a system into the range (Fourier transformation) and then divide the output signal by the input signal, you get the complex frequency response of the system.

$$G(s) = \frac{Y(s)}{U(s)}$$

$$y(t) \xrightarrow{F} Y(s)$$

$$\text{with } u(t) \xrightarrow{F} U(s)$$

A problem are, however, superimposed systems (the control)

Course of the measurement

- ◆ Superimposed controls are switched of (open Loop) or attenuated
- ◆ The excitation signal is injected in front of the system to be measured with the aid of the signal generator. Wait, until the system settled.
- ◆ Execution of the measurement: Registration of input and output signal with the aid of the oscilloscope.
- ◆ Upload of the measurement values from the controller into the PC.
- ◆ Processing of the measurement values into a frequency response
- ◆ If a cumulated measurement is configured: Averaging over several frequency responses.

During cumulated measurement, an average is taken over all measurements in the result memory and the result is then put out.

## Open/Closed Loop frequency response measurement

In order to be able to analyze the transmission behavior of subordinate systems (such as for example speed control, current control or mechanical system), the influence of the superposed controls on the measurement must be avoided.

### Influence of a superposed system on the frequency response measured

In the simplest case, the superposed controls are switched off completely (Open Loop) This provides the best measurement results due to the elimination of any influence caused by the superposed controls.

This is, however, rarely possible for reasons of safety or feasibility.



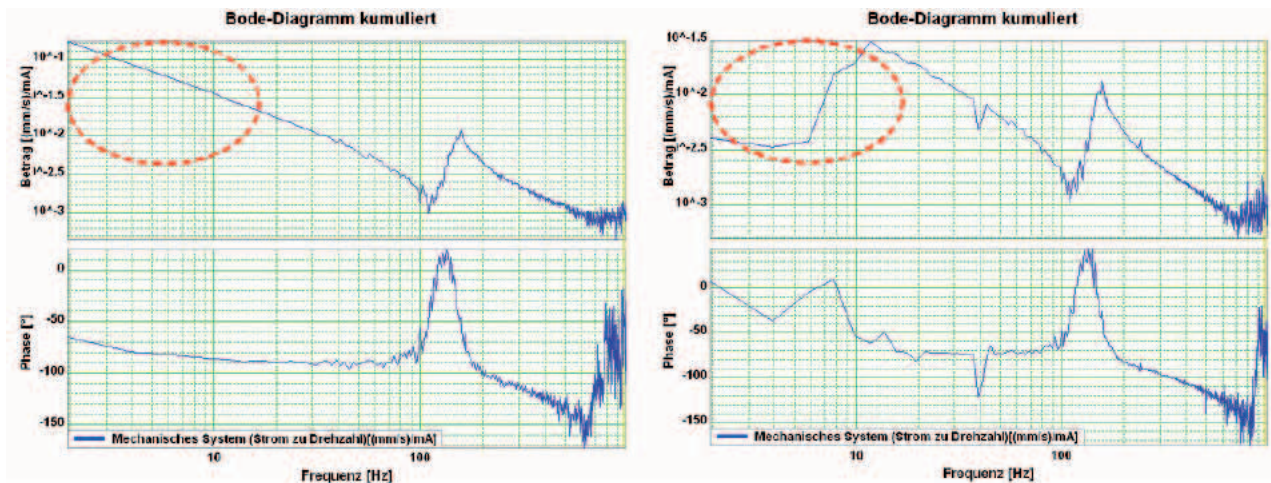
#### Caution!

- ◆ Many systems are not stable without control!
- ◆ Position as well as speed control are switched off during measurement => **no measurement on z-axes!**

If you want to analyze for example the mechanic system of a z-axis, the position control as well as the speed control must remain active.

In systems subject to friction it may be necessary in order to improve the quality of the measurement, to **move the system with a superimposed speed** (see on page 257), which is however only possible with a closed loop measurement.

### Influence of an active superposed control on the result of the measurement



At the left without, at the right with the influence of the superposed control

In order to attenuate the influence of the superposed controls, the controller bandwidth is reduced to such an extent, that their influence on the measurement is negligible.

### Excitation Signal

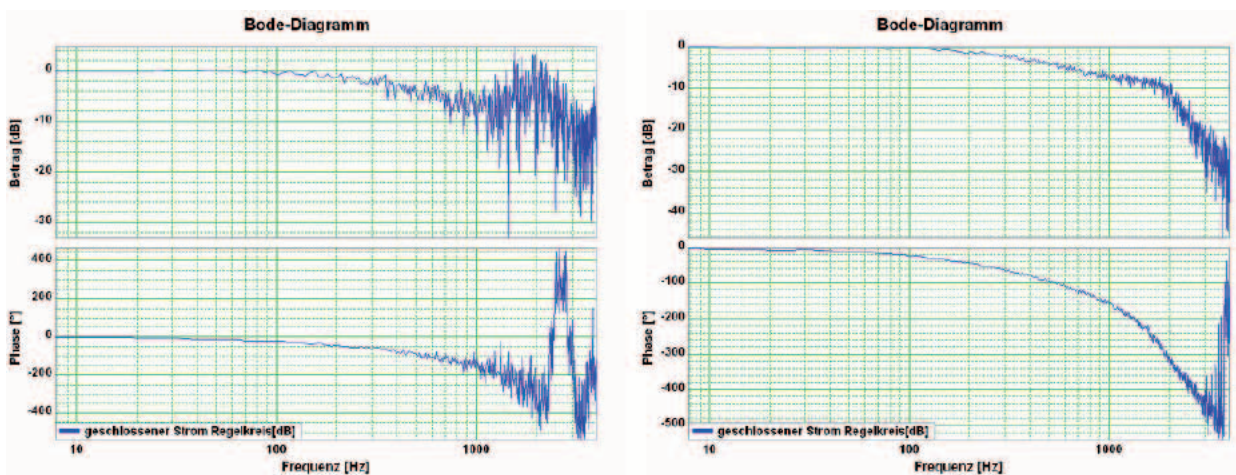
In order to be able to analyze the behavior of the system at individual frequencies, it is necessary that these frequencies can be measured in the input signal as well as in the output signal. For this, a signal generator excites all frequencies to be measured. For this applies, that the signal noise distance of the measurement is the larger, the larger the excitation of the system.

High noise distance => low influence of disturbances on the measurement.

For this, an excitation signal is injected in front of the system to be measured.

The power (amplitude) of the excitation signal can be set. Start with a small amplitude and increase the amplitude slowly during the current measurement until the result of the measurement shows the desired quality.

### Influence of the excitation amplitude on the quality of the measurement results



Left: Too small amplitude of the excitation signal (7.3mA)  
 Right: Suitable amplitude of the excitation signal (73mA)

In the case of non-linearities in the system, an increase in the excitation may however lead to a **decline of the quality of the measurement** (see on page 256).

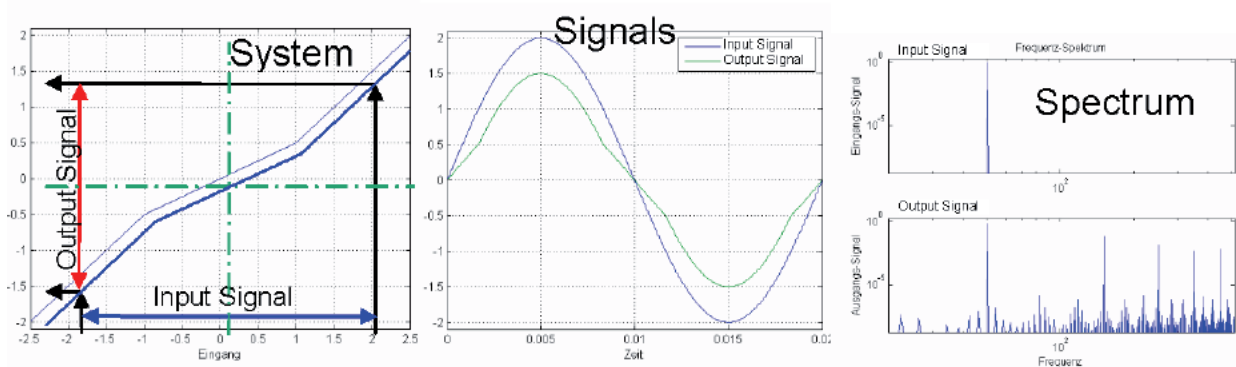
### Non-linearities and their effects

In this chapter you can read about:

- Attenuation of the excitation amplitude .....257
- Shifting the working point into a linear range.....257

Non-linearities in mechanical systems are for example due to friction, backlash or position-dependent transmissions (cams and crankshaft drives). In general, the frequency response is only defined for linear systems (see 7.2 (see on page 273)). What happens in the frequency range in the event of a non-linear system, is shown below.

### Signal amplitude too high => non-linearity in the signal range





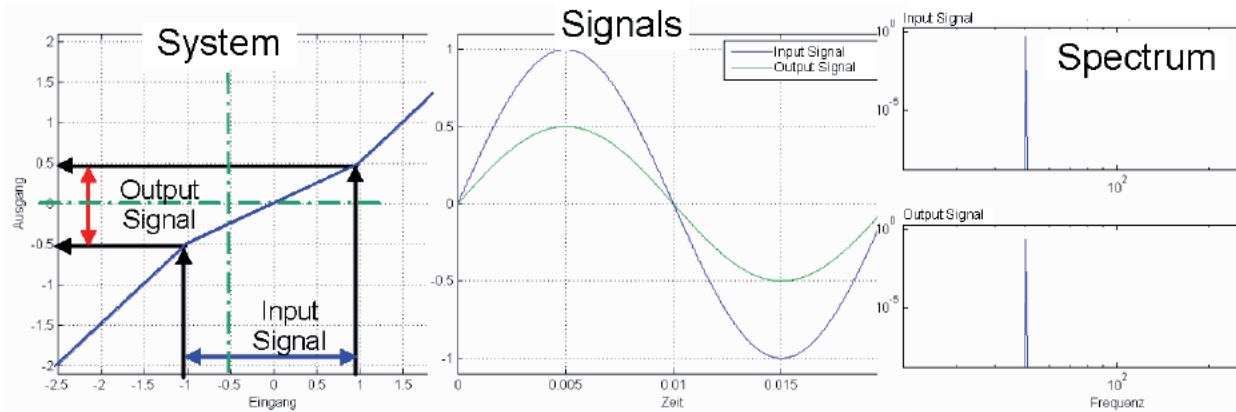
Due to the non-linear transmission behavior of the system, many "new" frequencies were generated in the output signal. In the frequency response, only one change of the frequency present in the input signal can be displayed meaningfully.

=> The frequencies generated in the spectrum of the output signal lead to a deterioration of the measured frequency response.

There are however two possibilities to make successful measurements of frequency responses in spite of non-linearities present:

**Attenuation of the excitation amplitude**

**Signal amplitude too small => no non-linearity in the signal range**



The signal range is reduced so that approximately linear conditions are valid. The results of the measurement will then display the dynamic behavior at the working point.

**Example cam drive:**

If the drive moves considerably (e.g. 180°) during the measurement, the behavior of the system will change greatly over this range => caused by non-linearities in the signal range.

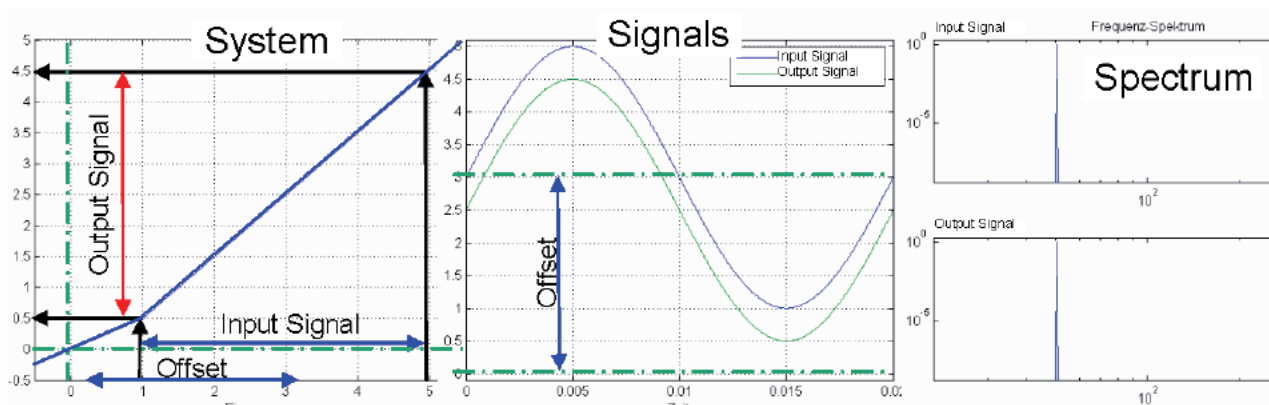
An inexact measurement is the result.

If the excitation is reduced so that the drive will move only by a few degrees, the behavior of the system at this working point will be approximately constant.

An exact measurement is the result.

**Shifting the working point into a linear range**

**Signal amplitude large with offset => no non-linearity in the signal range**



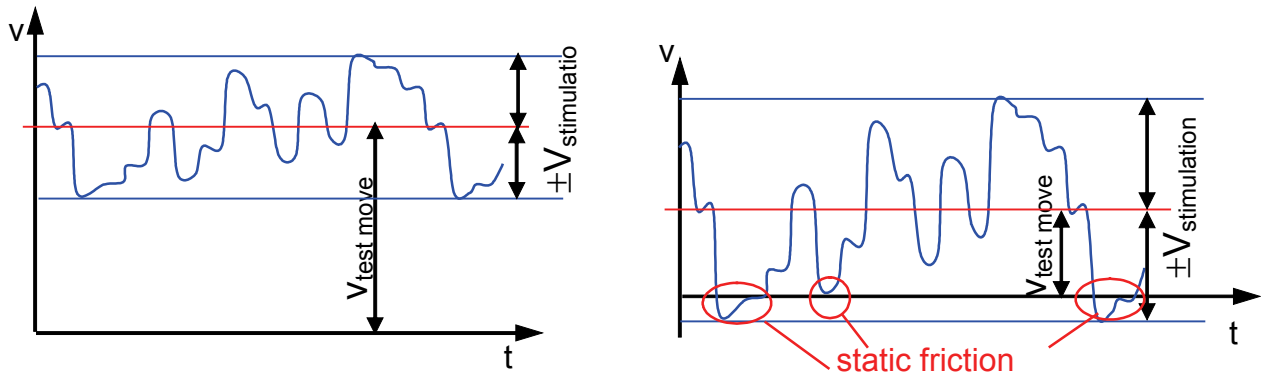
For this, the signal range is shifted so that approximately linear conditions are valid => the results of the measurement show the dynamic behavior at the working point.

### Example rubbing caused by friction:

In systems subject to a distinct transition between rubbing caused by friction and sliding friction, the rubbing force will reduce abruptly as soon as the drive is moved ( $v > 0$ ). With a motor at standstill, the excitation signal will cause a multiple passing through the range of rubbing friction during measurement. Due to the non-linearity in the signal range, the resulting measurement will be inexact.

If the drive moves, however, fast enough during the measurement, so that the speed will not become zero during the measurement, the system remains in sliding friction and a precise measurement can be obtained.

### Optimal measurement with rubbing friction



$V_{test.move}$ : Speed of the test movement

$V_{stimulation}$ : Speed of the excitation signal

static friction: Static friction

### Example backlash: (for example in gearboxes)

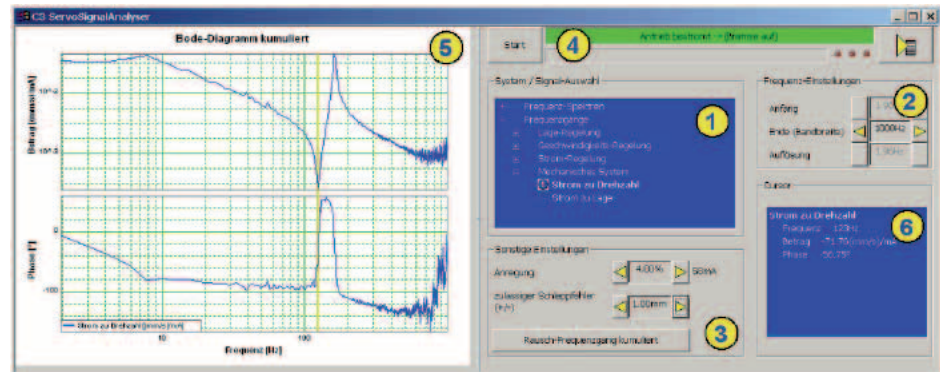
Here, non-linearities are caused, if the tooth edges will turn from one side to the other during measurement. The reason for this is a change of the sign of the force transmitted by the gearbox.

In order to avoid this, you can try to transmit a constant torque by keeping a constant speed and to avoid a change of the sign during the measurement by choosing a relatively small excitation amplitude.

### 4.4.9.7 Overview of the user interface

**In this chapter you can read about:**

Selection of the signal or system to be measured.....	259
Frequency settings.....	263
Speed control.....	264
Other settings.....	266
Operating and status field.....	268
Display of the measurement result.....	270
Display of the measurement point at the cursor position.....	271



- (1) Selection of the signal or system to be measured (see on page 259)
- (2) Frequency settings (see on page 263)
- (3) Other settings (see on page 266)
- (4) Operating and status field (see on page 268)
- (5) Display of the measurement result (see on page 270)
- (6) Display of the measurement point at the cursor position (see on page 271)

### Selection of the signal or system to be measured.

**In this chapter you can read about:**

Current control.....	260
Mechanical system.....	260
Position control.....	261

With the aid of the tree structure, you may select what you want to measure. Here, the selection is made, if a frequency spectrum or a frequency response is to be measured.

The shown structures are simplified in such as all feedbacks are displayed without special transmission behavior. This is surely not the case in reality, serves however a better overview.

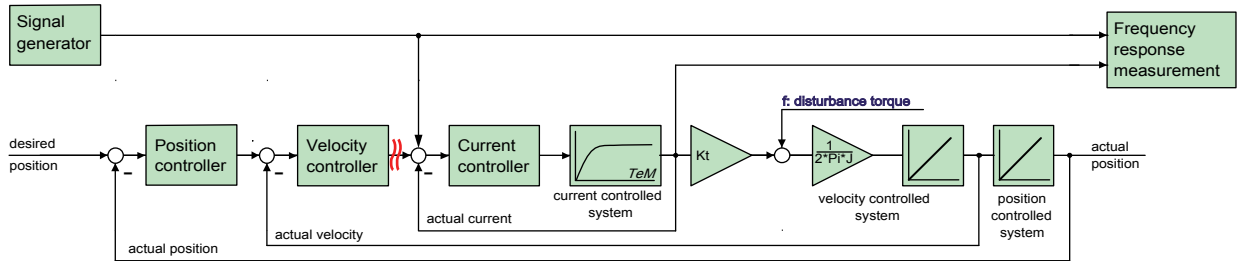
**Current control**

**Closed current control**

Shows the dynamic behavior of the closed current control.

=> How a signal on the current demand value is transmitted to the current actual value.

(response)



Signal generator  
 Position controller  
 actual position  
 desired position  
 Velocity controller  
 actual velocity  
 Current controller  
 actual current  
 current controlled system  
 f: disturbance torque  
 velocity controlled system  
 position controlled system  
 Frequency response measurement

Signal Generator  
 Lageregler  
 Lageistwert  
 Lagesollwert  
 Geschwindigkeitsregler  
 Geschwindigkeitsistwert  
 Stromregler  
 Stromistwert  
 Stromregelstrecke  
 Störmoment  
 Geschwindigkeitsregelstrecke  
 Lageregelstrecke  
 Frequenzgangmessung

**Application:**

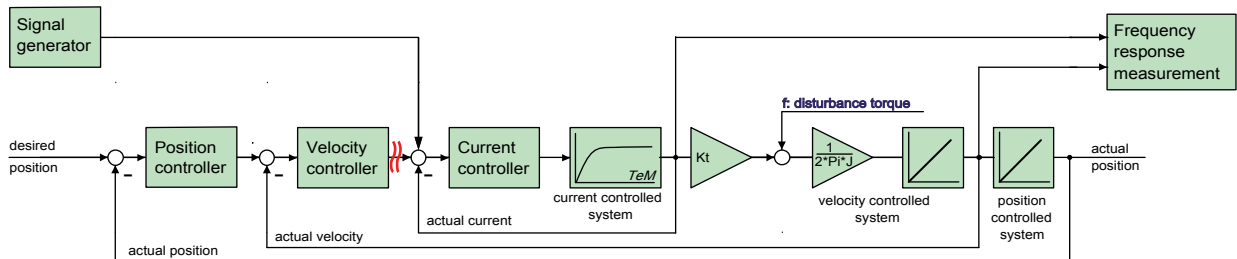
**During the optimization of the current control for verification**

◆ for the design of superposed controllers.

**Mechanical system**

**Current to velocity**

Shows the dynamic behavior between the measured current actual value and the velocity actual value



Signal generator  
 Position controller  
 actual position  
 desired position  
 Velocity controller  
 actual velocity  
 Current controller  
 actual current  
 current controlled system  
 f: disturbance torque  
 velocity controlled system  
 position controlled system  
 Frequency response measurement

Signal Generator  
 Lageregler  
 Lageistwert  
 Lagesollwert  
 Geschwindigkeitsregler  
 Geschwindigkeitsistwert  
 Stromregler  
 Stromistwert  
 Stromregelstrecke  
 Störmoment  
 Geschwindigkeitsregelstrecke  
 Lageregelstrecke  
 Frequenzgangmessung

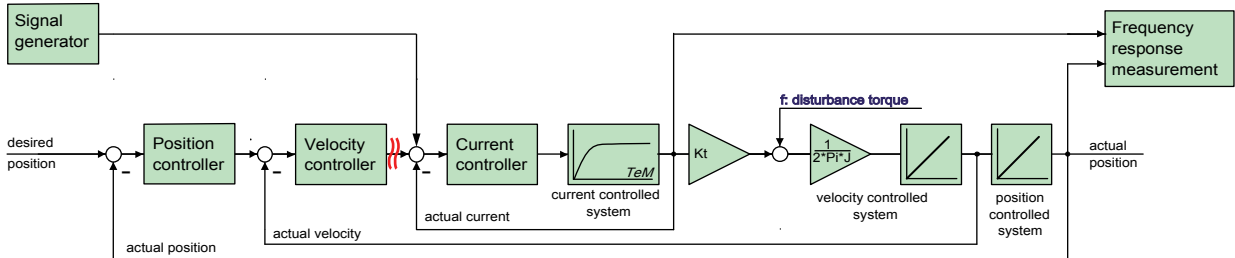
Reflects the transmission behavior between the acceleration at the motor and the acceleration at the load to be moved.

**Application:**

- ◆ for the analysis of the dynamic behavior of the mechanic system

**Current to position**

Shows the dynamic behavior between current actual value and position actual value.



- |                                |                              |
|--------------------------------|------------------------------|
| Signal generator               | Signal Generator             |
| Position controller            | Lageregler                   |
| actual position                | Lageistwert                  |
| desired position               | Lagesollwert                 |
| Velocity controller            | Geschwindigkeitsregler       |
| actual velocity                | Geschwindigkeitsistwert      |
| Current controller             | Stromregler                  |
| actual current                 | Stromistwert                 |
| current controlled system      | Stromregelstrecke            |
| f: disturbance torque          | Störmoment                   |
| velocity controlled system     | Geschwindigkeitsregelstrecke |
| position controlled system     | Lageregelstrecke             |
| Frequency response measurement | Frequenzgangmessung          |

**Application:**

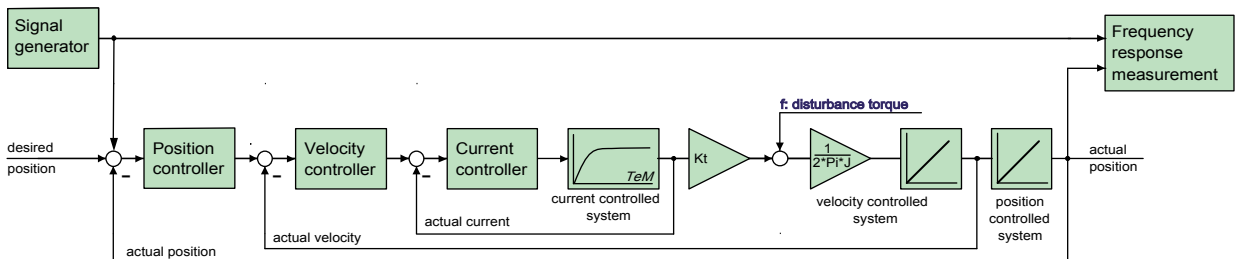
- ◆ for the analysis of the dynamic behavior of the mechanic system

**Position control**

**Closed position control**

Shows the dynamic behavior of the closed position control.

=> How a signal on the position demand value is transmitted to the position actual value.



Signal generator	Signal Generator
Position controller	Lageregler
actual position	Lageistwert
desired position	Lagesollwert
Velocity controller	Geschwindigkeitsregler
actual velocity	Geschwindigkeitsistwert
Current controller	Stromregler
actual current	Stromistwert
current controlled system	Stromregelstrecke
f: disturbance torque	Störmoment
velocity controlled system	Geschwindigkeitsregelstrecke
position controlled system	Lageregelstrecke
Frequency response measurement	Frequenzgangmessung

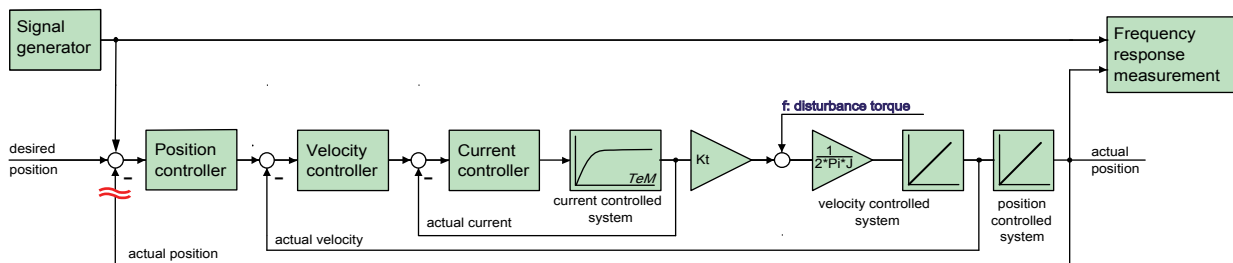
**Application:**

**For the design of superposed controllers or systems.**

- ◆ For the verification of the obtained controller speed during optimization
- ◆ for the revision of the controller design of the position control

**open position control**

Shows the dynamic behavior of all components in the position control loop, but without closing it.



Signal generator	Signal Generator
Position controller	Lageregler
actual position	Lageistwert
desired position	Lagesollwert
Velocity controller	Geschwindigkeitsregler
actual velocity	Geschwindigkeitsistwert
Current controller	Stromregler
actual current	Stromistwert
current controlled system	Stromregelstrecke
f: disturbance torque	Störmoment
velocity controlled system	Geschwindigkeitsregelstrecke
position controlled system	Lageregelstrecke
Frequency response measurement	Frequenzgangmessung

**Application:**

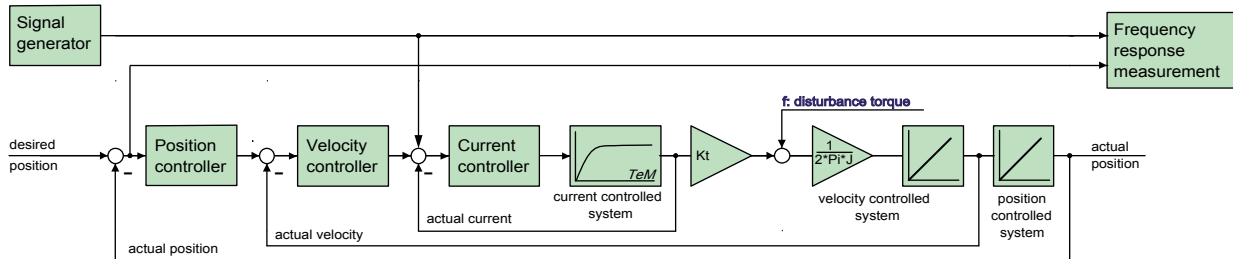
- ◆ For the graphic design of the position control.

**Compliance of Position control**

Shows the dynamic disturbance value behavior of the position control.

=> which dynamic influence does a disturbance torque have on the following error.

The disturbance torque is injected as disturbance current => this corresponds to the effect of a disturbance torque  $f$



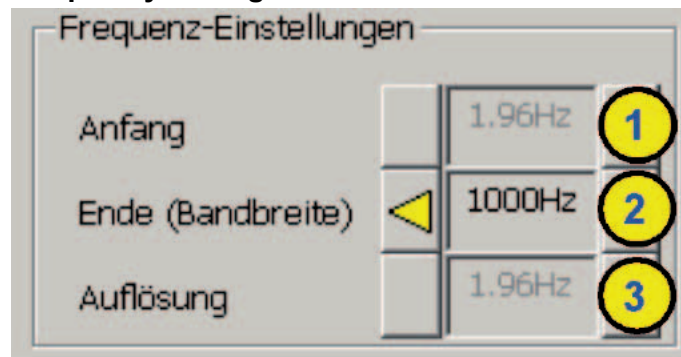
Signal generator  
 Position controller  
 actual position  
 desired position  
 Velocity controller  
 actual velocity  
 Current controller  
 actual current  
 current controlled system  
 f: disturbance torque  
 velocity controlled system  
 position controlled system  
 Frequency response measurement

Signal Generator  
 Lageregler  
 Lageistwert  
 Lagesollwert  
 Geschwindigkeitsregler  
 Geschwindigkeitsistwert  
 Stromregler  
 Stromistwert  
 Stromregelstrecke  
 Störmoment  
 Geschwindigkeitsregelstrecke  
 Lageregelstrecke  
 Frequenzgangmessung

**Application:**

- ◆ Verification of the dynamic disturbance value behavior of the position control.
- ◆ Which following error generates a sinusoidal disturbance torque / disturbance current with the frequency  $f_z$  ?
- ◆ The frequency response of the compliance corresponds to the disturbance step response in the time range

**Frequency settings**



**(1) start frequency**

◆ This is the smallest frequency at which is still measured. During the measurement of frequency spectrum and noise frequency response this results automatically from the bandwidth and is only displayed as an information.

**(2) End (bandwidth)**

◆ This corresponds to the highest frequency which is measured. Start frequency as well as the frequency resolution can be varied with the aid of the bandwidth for frequency spectrum and noise frequency response.

**(3) Frequency resolution (see on page 250)**

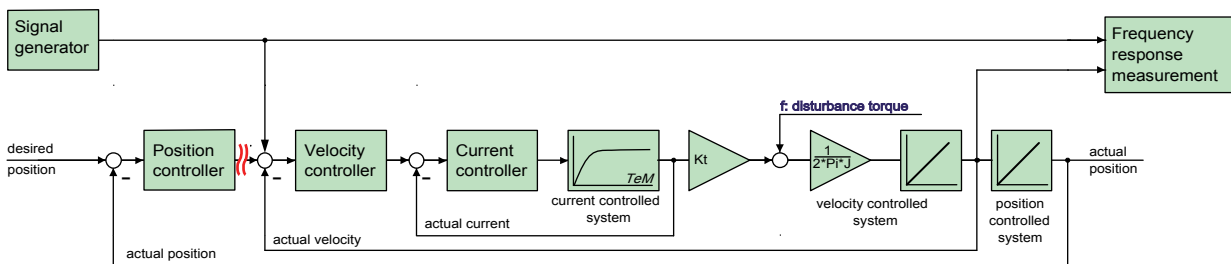
◆ During the measurement of frequency spectrum and noise frequency response this results automatically from the bandwidth and is only displayed as an information.

**Speed control**

**Closed velocity control**

Shows the dynamic behavior of the closed velocity control.

=> How a signal on the velocity demand value is transmitted to the velocity actual value.



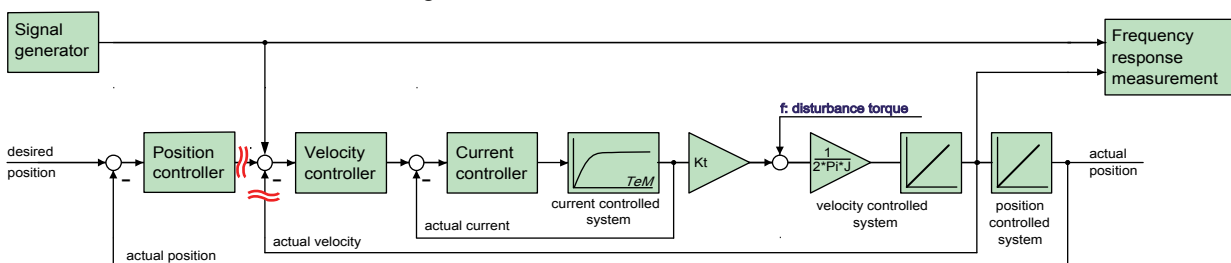
Signal generator	Signal Generator
Position controller	Lageregler
actual position	Lageistwert
desired position	Lagesollwert
Velocity controller	Geschwindigkeitsregler
actual velocity	Geschwindigkeitsistwert
Current controller	Stromregler
actual current	Stromistwert
current controlled system	Stromregelstrecke
f: disturbance torque	Störmoment
velocity controlled system	Geschwindigkeitsregelstrecke
position controlled system	Lageregelstrecke
Frequency response measurement	Frequenzgangmessung

**Application:**

- ◆ During the optimization of the velocity control for verification
- ◆ For the design of superposed controllers.

**Open velocity control**

Shows the dynamic behavior of all components in the velocity control loop, but without closing it.





Signal generator	Signal Generator
Position controller	Lageregler
actual position	Lageistwert
desired position	Lagesollwert
Velocity controller	Geschwindigkeitsregler
actual velocity	Geschwindigkeitsistwert
Current controller	Stromregler
actual current	Stromistwert
current controlled system	Stromregelstrecke
f: disturbance torque	Störmoment
velocity controlled system	Geschwindigkeitsregelstrecke
position controlled system	Lageregelstrecke
Frequency response measurement	Frequenzgangmessung

**Application:**

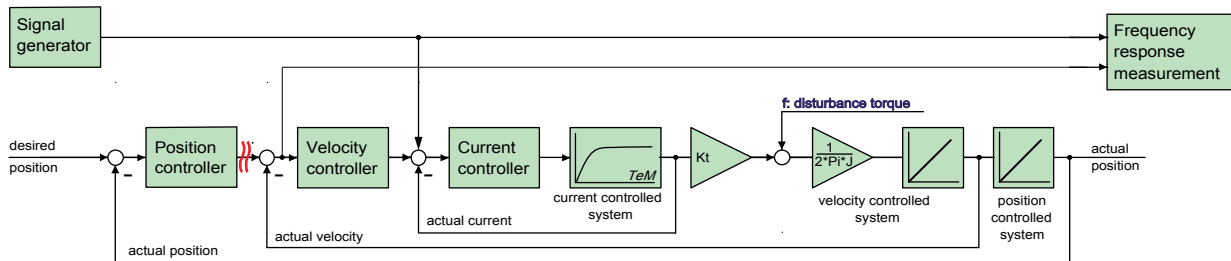
For the graphic design of the velocity control.

**Compliance of velocity control**

Shows the dynamic disturbance value behavior of the velocity control.

=> which dynamic influence does a disturbance torque have on the control deviation of the velocity control.

The disturbance torque is injected as disturbance current => this corresponds to the effect of a disturbance torque f

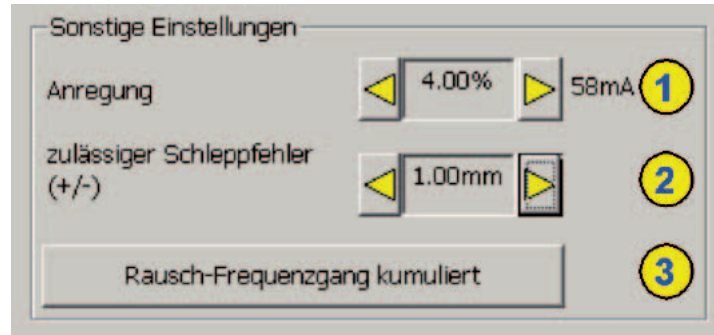


Signal generator	Signal Generator
Position controller	Lageregler
actual position	Lageistwert
desired position	Lagesollwert
Velocity controller	Geschwindigkeitsregler
actual velocity	Geschwindigkeitsistwert
Current controller	Stromregler
actual current	Stromistwert
current controlled system	Stromregelstrecke
f: disturbance torque	Störmoment
velocity controlled system	Geschwindigkeitsregelstrecke
position controlled system	Lageregelstrecke
Frequency response measurement	Frequenzgangmessung

**Application:**

- ◆ Verification of the disturbance value behavior of the velocity control
- ◆ Which velocity deviation generates a sinusoidal disturbance torque / disturbance current with the frequency fZ ?
- ◆ The frequency response of the compliance corresponds to the disturbance step response in the time range

## Other settings



### **(1) Excitation**

Serves to set the excitation signal of the frequency response measurement.

### **(2) Permissible following error (only for frequency response measurement)**

The resulting following error is increased by the injection of the excitation signal during the frequency response measurement. In order to allow for this, the permissible following error window can be enlarged so that the measurement can be made. After the end of the measurement, this is reset to the original value.

### **(3) Selection of the kind of analysis of the measurement results**

Depending on the fact whether frequency spectra or frequency responses are measured, the following types of analyses are available:

#### **For frequency spectra:**

- ◆ (a) Spectrum
- ◆ (b) Spectrum cumulated
- ◆ (c) cascade diagram

#### **For frequency responses:**

- ◆ (d) noise frequency response
- ◆ (d) noise frequency response cumulated

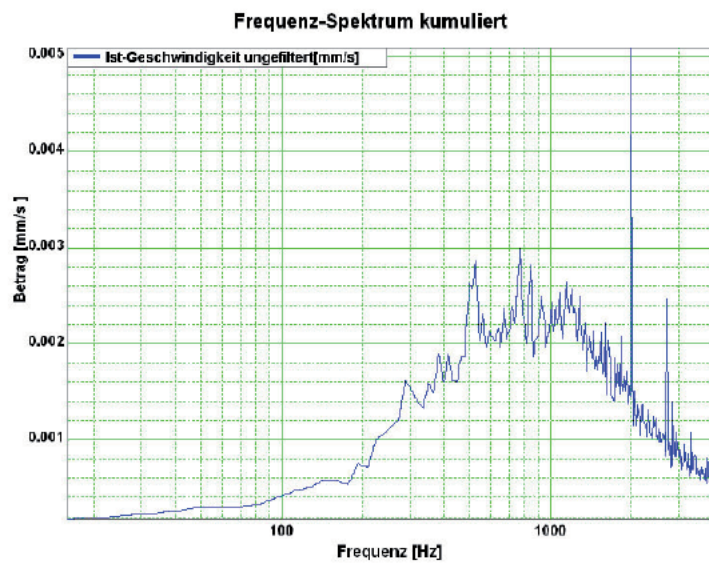
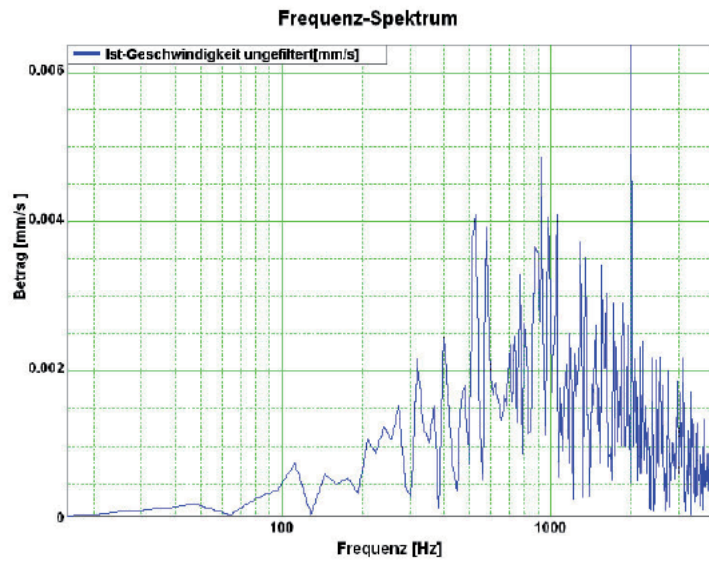
#### **Non cumulated measurement (a & d)**

The measured data are displayed directly. This is especially suitable if you wish to analyze the effects of changes on the measurement results directly and promptly. The disadvantage is however a smaller noise distance (quality) and an increased sensitiveness of the measurement towards unique disturbances.

#### **Cumulated measurement (b & e)**

An average is taken from all measurements in the result memory. This reduces the influence of random signals and disturbances extremely (improvement of the quality). The number of measurements from which the average is taken, is set with the **Size of the result memory** (see on page 268).

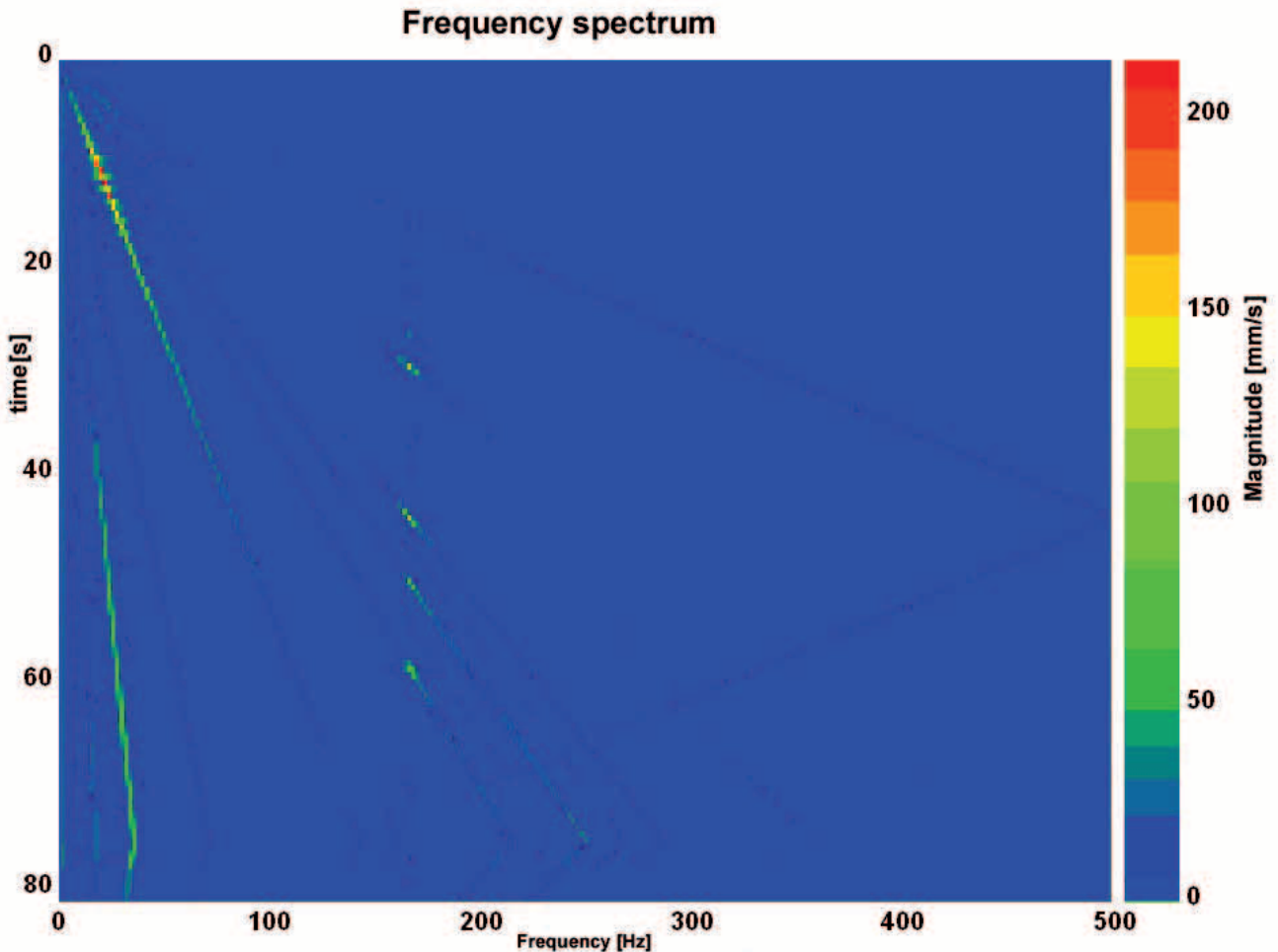
### Comparison of two frequency spectra without and with cumulation



### Cascade diagram (c)

Frequency spectra are displayed subject to time. The information on the value of the signal is color-coded.

### Cascade diagrams of the velocity signal during an acceleration process



This kind of display is suitable for the analysis of temporal changes in the measured spectrum.

### Operating and status field



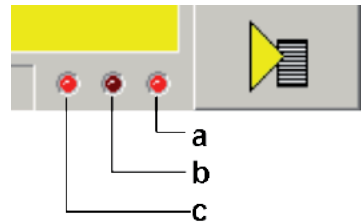
#### (1) Start and Stop of the measurement

#### (2) Status display

Current status of the measurement or of the controller (if no measurement is taking place).

#### (3) Progress of the registration of the signals in the controller

The time of registration of the signals in the controller itself can, depending on the bandwidth and the kind of measurement, take up to one minute.

**(4) status of the activity of the different partitions of the measurement**

- a: Registration of the measurement in the controller
- b: Upload of the measurement from the controller to the PC
- c: Processing the measurement in the PC

**(5) Different settings and options**

Functions available in a pull-down menu:

**Open superimposed control loops** (see on page 255)

**accept load force**

This serves, when opening the velocity controller, to accept the load which the controller has provided at the time of switching off => a z-axis does not drop down abruptly.

**Measurement synchronous to the test movement**

If this option is selected, it is ensured during the measurement, that the sampling does not take place in the turning point during a movement.

Unless frequencies are generated due to the deceleration/acceleration of the drive, which influence the measurement.

**Result memory**

In the result memory, the results of the N last measurements are kept.

This is important for the display of the cumulated measurement and for the cascade diagram. The larger the memory, the "older" the results still used. When the contents is deleted, all old measurements are discarded and do no longer influence the new results.

**Windowing (see on page 251)**

Here you can select different windowing modes for the measurement of frequency spectra. As default, no window is used.

**Save measure to file**

The currently displayed measurement result is stored and can be uploaded later into the ServoSignalAnalyzer. This does, however, not apply to the cascade diagram display.

**Open measure from file**

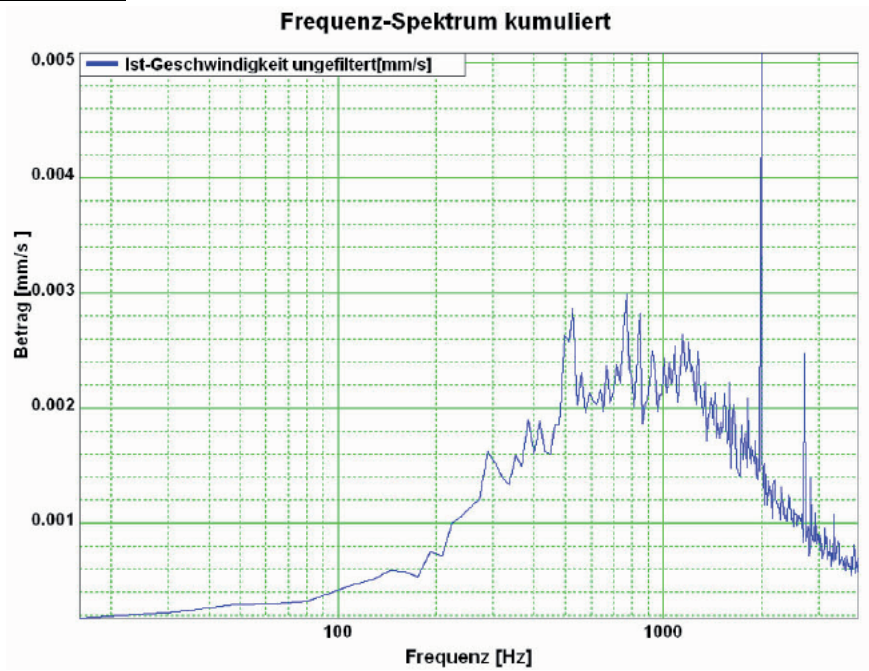
Here you can reload the measurements memorized before. You have the possibility to load up to four measurements subsequently and display them together in a graphic display.

**Copy measurement to clipboard as graphic display.**

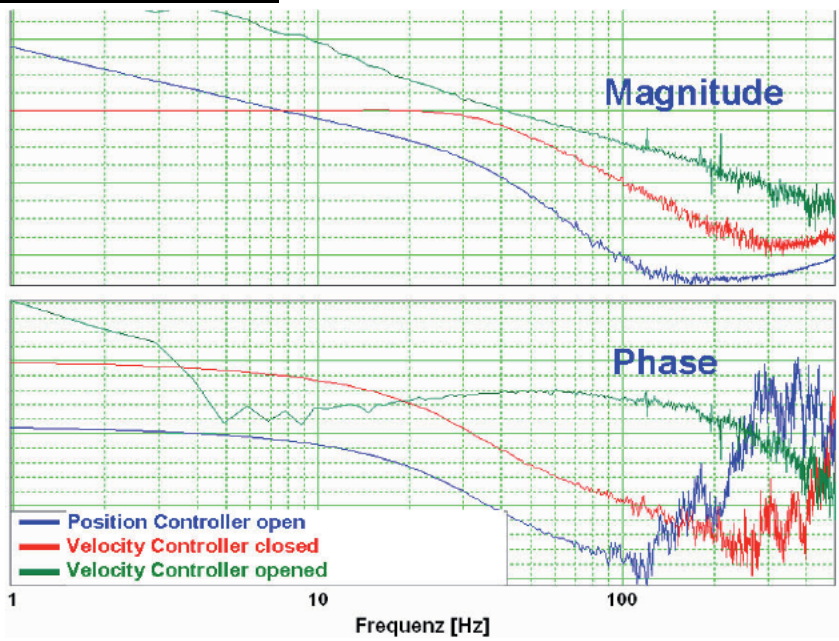
The currently displayed measurement result is copied as pixel graphic (e.g. BMP) to the clipboard.

### Display of the measurement result

#### Frequency spectra

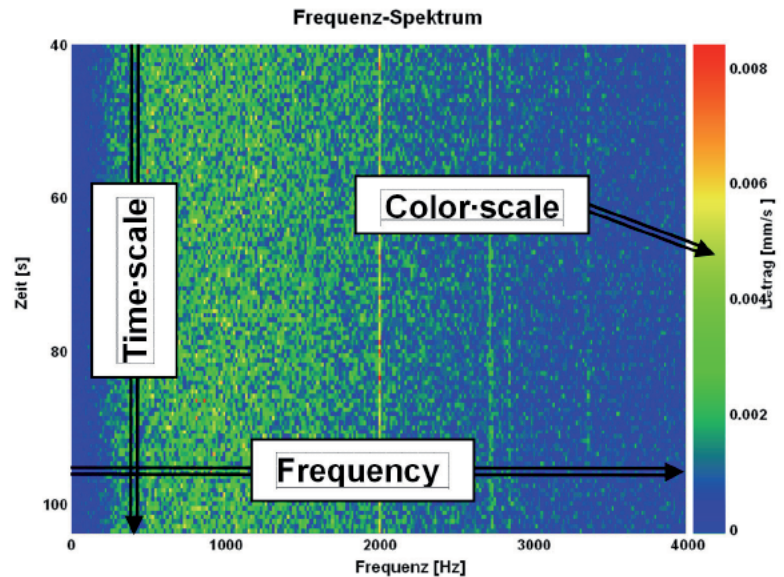


#### Bode diagrams: Value and phase



By clicking with the left mouse button on the legend, this can be shifted by 90°. By clicking on the color bar, the color of the respective graph can be modified.

**Cascade diagrams**



By clicking with the left mouse button on the color scale, you can change between autoscale mode and fixscale mode.

**AutoScaleMode:**

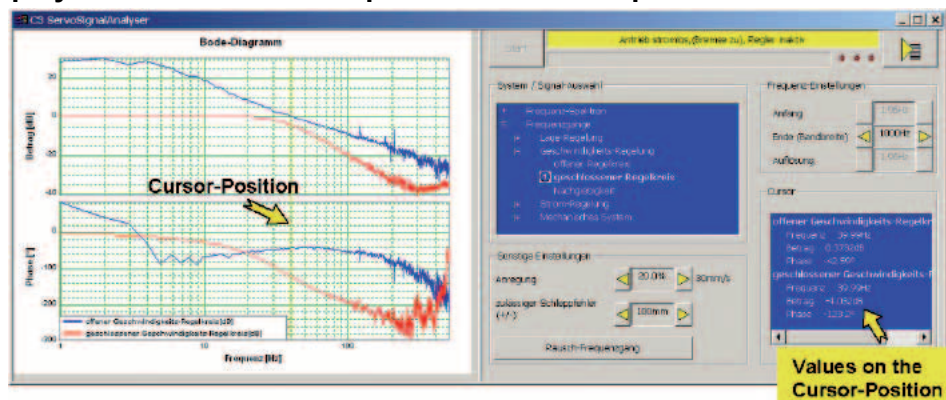
In this mode, the scaling of the color scale is adapted automatically so that all values can be displayed.

**FixScaleMode:**

Here, the scaling is fixed.

=> If, for instance, a considerably higher value than before is to be displayed, it is simply displayed like the former maximum (red).

**Display of the measurement point at the cursor position**



The cursor is set by clicking on the left mouse button. All measurement data of the selected cursor position (frequency) are displayed in the "cursor" operating field.

#### 4.4.9.8 Basics of frequency response measurement

##### In this chapter you can read about:

Distinction between signals and systems .....	272
Linear Systems (LTI System).....	273
Mechanical system .....	274
Resonance points and their causes .....	275

In the drive and control technology, the display of signals and systems in the frequency range is often the best possibility to solve different tasks.

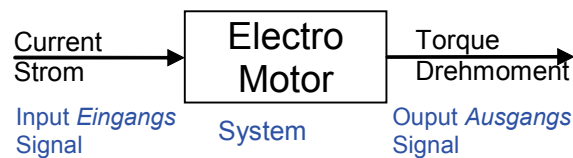
##### **Distinction between signals and systems**

Defined objects and their interactions that can be combined to a whole by a plausible distinction from their environment (i.e. the complex reality) are called a system.

##### **Example electric motor**

This consists of a multitude of different components, but the function and the behavior of a motor can be described as a whole without describing each individual component and their interactions separately.

If the motor is energized, it will generate a torque at the motor shaft.



Current is therefore a signal, which causes at the input of the system motor a change of its torque output signal.

In order to register and process such signals in the controller, they are digitized and read in with the so-called scanning frequency (fA). Thus the physical signal was converted into a finite sequence of numbers, which can be processed in the controller.



### Linear Systems (LTI System)

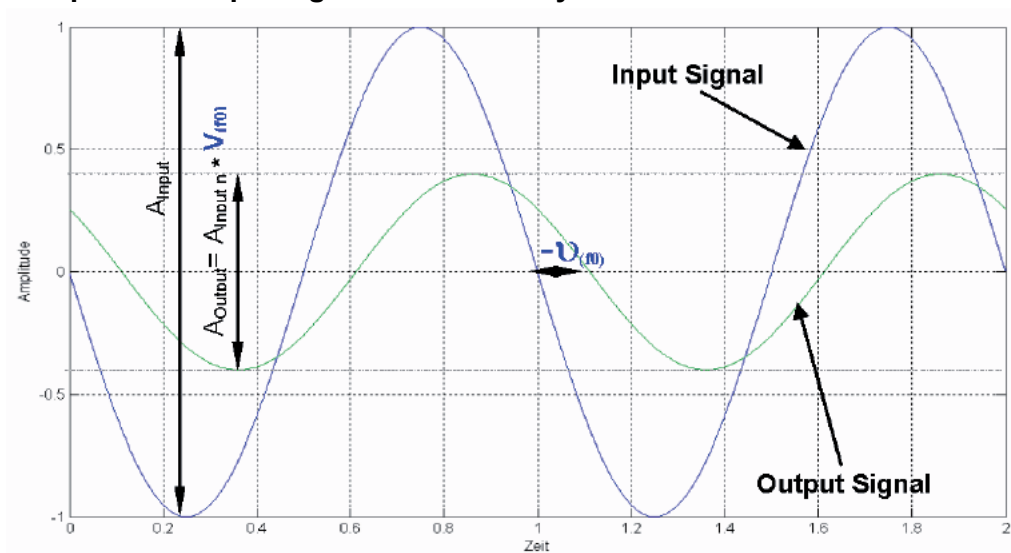
Further explanations are based on the concept of so-called linear systems. This means that doubling the input value means that the portion of the output value influenced by it is also doubled. This, for instance, is not the case in the event of influence due to limitations, friction and backlash.

=> those are called non-linear systems, which can not be analyzed with the methods described here (or only with difficulties).

One of the most important properties of linear systems is that a sine signal, which is put through a linear system, is still a sine signal at the output, which differs from the input signal only in value and phase.

When a signal passes a LTI system, no new frequencies are generated.

### Input and output signals of a linear system

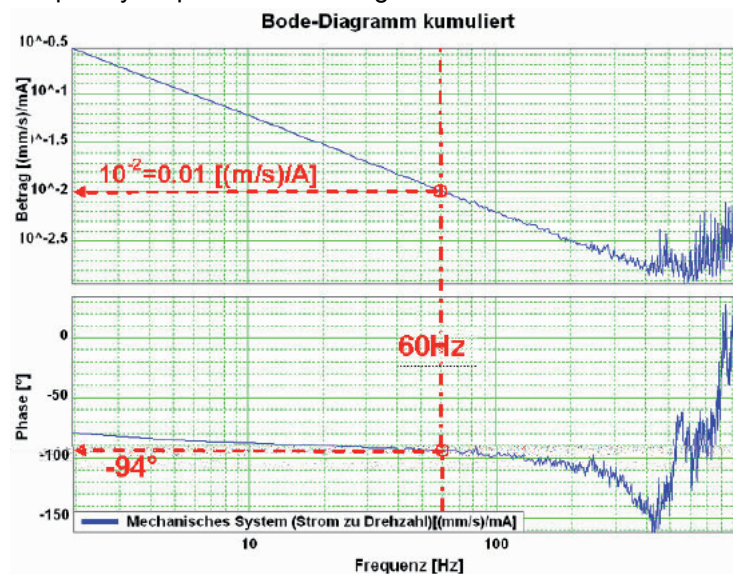


If you know the value ( $V(f)$ ) as well as the phase position ( $u(f)$ ) for all frequencies, the LTI system is completely defined.

Such a graph of value and phase position in dependence of the frequency, is called frequency response or bode diagram.

=> only LTI systems can be analyzed with the aid of frequency responses.

### Frequency response / bode diagram



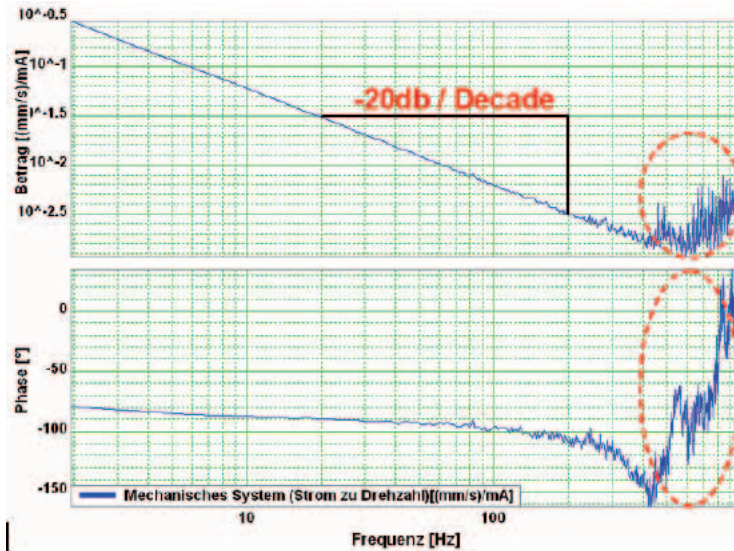
**The frequency response shows the amplification (value) and the phase shift (phase), which a signal is submitted to when passing through a system.**

The displayed bode diagram allows the following conclusions:

If a sine with 60Hz and an amplitude of 1A is present at the input, a sine delayed by 94° and an amplitude of 0.01m/s will result at the output.

**Mechanical system**

**Frequency response of a mechanic system: Current - velocity of a motor**



The outlined course at the end of the measurement range does not permit statements on the system measured due to disturbances. Due to the attenuation of the signals increasing with the frequency, the sensitiveness of the measurement to disturbances (signal to noise ratio) increases with a rising frequency. The value as well as the phase response of the displayed frequency response are "disturbed" at the same intensity, this shows, that disturbances are the reason.

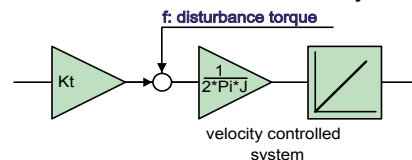
The value response consists basically of a straight, which declines with a slope of -20dB/decade (-20dB/decade => per tenfold increase of the frequency, the value decreases also by factor ten).

The phase response remains however almost constantly at -90° over a relatively large range.

In control technology, this is called integrating behavior (I-behavior).

the I-behavior can be explained as follows.

The measured current is proportional to the motor force and thus also to the acceleration of the driven mass. As the velocity is calculated from the integrated acceleration, the measured system looks as follows:



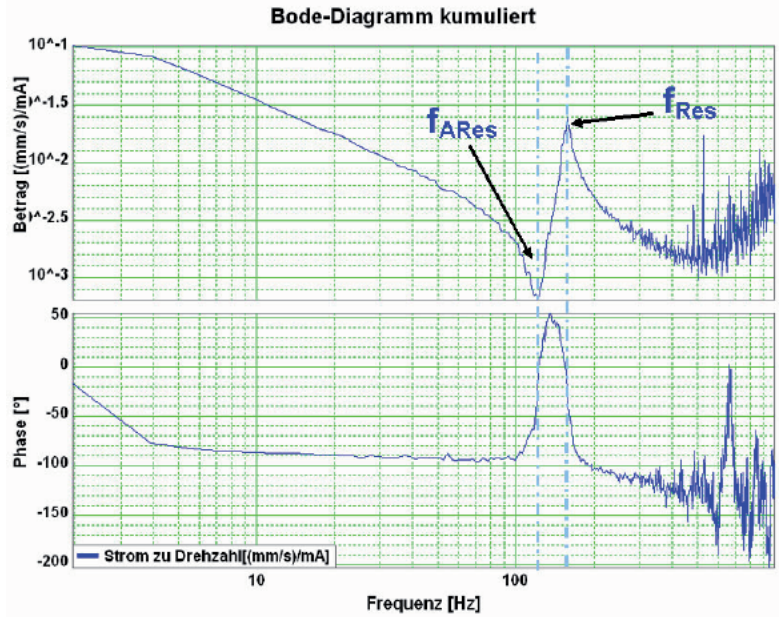
Input value is the current actual value, output value is the velocity actual value

### Resonance points and their causes

In this chapter you can read about:

Rotary two mass system.....	275
Linear two mass system .....	276
Toothed belt drive as two mass system .....	277

### Mechanical system with a resonance point



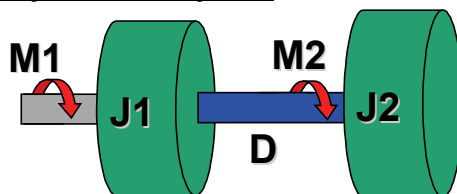
$f_{ARes}$ : Anti resonance frequency

$f_{Res}$ : Resonance frequency

The displayed change of the frequency response (resonance point), has its cause in a so-called two mass system (caused by the elastic coupling of two masses).

**Hint** As, upon closer examination, each mechanic coupling shows a certain elasticity, it is no the question if there is a resonance point, but at which frequency it is and how well it is attenuated.

### Rotary two mass system



The shown system corresponds for instance to a motor with a flywheel coupled via a shaft. Hereby J1 corresponds to the motor moment of inertia and J2 to the moment of inertia of the flywheel.

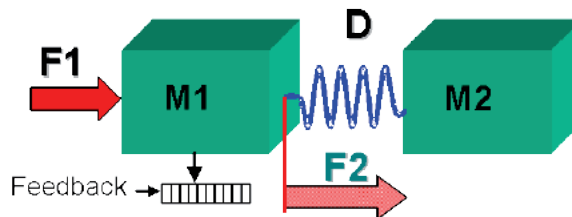
**Calculation of the resonance frequencies in the rotary system with a hollow shaft as elastic coupling element**

$$D = \int_{r_I}^{r_A} \frac{2 \cdot \pi \cdot G}{l} \cdot r^3 \cdot dr = \frac{G \cdot \pi \cdot (r_A^4 - r_I^4)}{2 \cdot l}$$

$$f_{ARes} = \frac{1}{2 \cdot \pi} \cdot \sqrt{\frac{D}{J_2}} \qquad f_{Res} = \frac{1}{2 \cdot \pi} \cdot \sqrt{D \cdot \left( \frac{1}{J_1} + \frac{1}{J_2} \right)}$$

G	Shear modulus of the material used [N/m <sup>2</sup> ] (e.g. approx. 80750N/mm <sup>2</sup> for steel)
D	Torsional rigidity in [m/rad]
rA	Outer radius of the hollow shaft
rI	Inner radius of the hollow shaft
l	Length of the hollow shaft

**Linear two mass system**

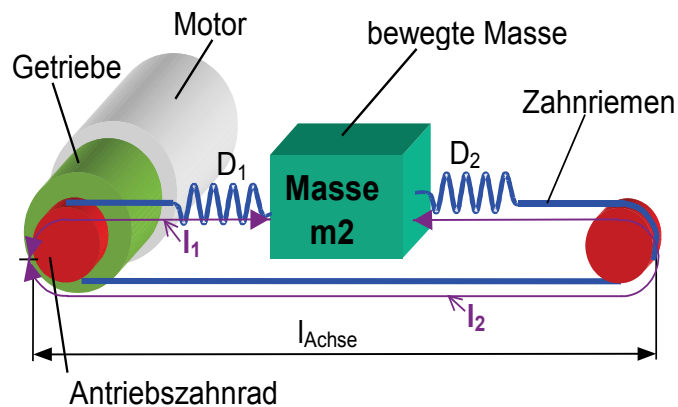


**Resonance frequencies in the linear system**

$$f_{ARes} = \frac{1}{2 \cdot \pi} \cdot \sqrt{\frac{D}{m_2}}$$

$$f_{Res} = \frac{1}{2 \cdot \pi} \cdot \sqrt{D \cdot \left( \frac{1}{m_1} + \frac{1}{m_2} \right)}$$

D	Rigidity in [N/m]
m1	e.g. motor mass
m2	e.g. load mass

**Toothed belt drive as two mass system**

In toothed belt drives, the toothed belt is the elastic coupling element. Its rigidity depends directly on the lengths  $l_1$  and  $l_2$  and changes in dependence of the position of the moved mass.

$$D_{spez} = \frac{F_{max}}{0,004}; \quad l_2 = 2 \cdot l_{Achse} - l_1$$

$$D_1 = \frac{D_{spez}}{l_1}; \quad D_2 = \frac{D_{spez}}{l_2}; \quad D = D_1 + D_2 = \frac{2 \cdot D_{spez}}{l_1 \cdot \left(2 - \frac{l_1}{l_{Achse}}\right)}$$

$$f_{ARes} = \frac{1}{2\pi} \cdot \sqrt{\frac{D}{m_2}} \quad f_{Res} = \frac{1}{2\pi} \cdot \sqrt{D \cdot \left( \frac{1}{m_2} + \frac{(r_{Zahnrad})^2}{J_1 \cdot (i_{Getriebe})^2} \right)}$$

D	Total spring constant of the toothed belt drive
Dspez	Specific spring constant of the toothed belt used
D1	Spring rate of the belt length $l_1$
D2	Spring rate of the belt length $l_2$
iGearbox	Transmission ratio of the gearbox
lAxis	Length of the axis
J1	Moment of inertia of motor and gearbox
m2	translatory moved mass
rToothed wheel	Radius of the drive pinion

**4.4.9.9 Examples are available as a movie in the help file**

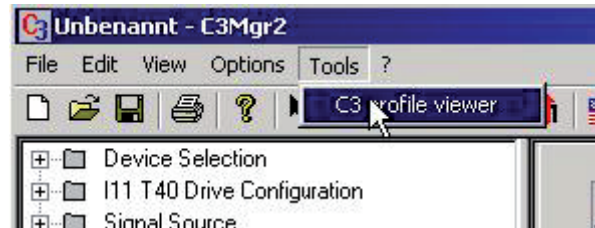
Here you can find examples as a movie in the help file.

## 4.4.10. ProfileViewer for the optimization of the motion profile

### In this chapter you can read about:

Mode 1: Time and maximum values are deduced from Compax3 input values .....	278
Mode 2: Compax3 input values are deduced from times and maximum values.....	278

You will find the ProfilViewer in the Compax3 ServoManager under the "Tools" Menu:



### 4.4.10.1 Mode 1: Time and maximum values are deduced from Compax3 input values

- ◆ The motion profile is calculated from Position, Speed, Acceleration, Deceleration, Acceleration Jerk and Deceleration Jerk
- ◆ As a result you will get, besides a graphical display, the following characteristic values of the profile:
  - ◆ Times for the acceleration, deceleration and constant phase
  - ◆ Maximum values for acceleration, deceleration and speed

### 4.4.10.2 Mode 2: Compax3 input values are deduced from times and maximum values

- ◆ A jerk-limited motion profile is calculated from the positioning time and the maximum speed / acceleration
- ◆ As a result you will get, besides a graphical display, the following characteristic values of the profile:
  - ◆ the parameters Position, Speed, Acceleration, Deceleration, Acceleration Jerk and Deceleration Jerk
  - ◆ Times for the acceleration, deceleration and constant phase
  - ◆ Maximum values for acceleration, deceleration and speed

### Set deceleration and acceleration phase

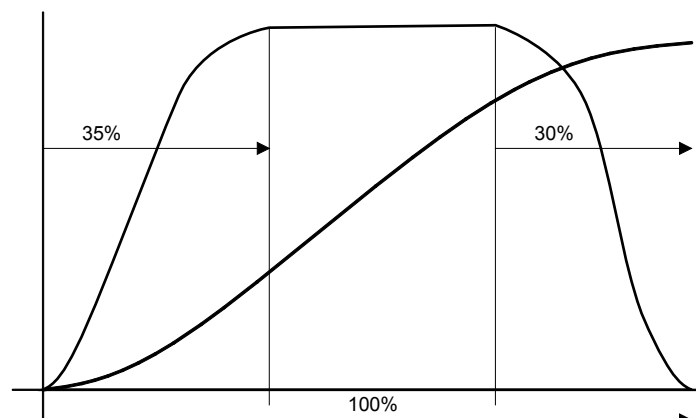
The profile can be defined more exactly by entering the segmentation into deceleration and acceleration phase.

When setting 50% and 50%, a symmetrical design will result, the values for triangular operation are calculated, which is limited by the maximum speed.

The total of the percentage values may not exceed 100.

The percentage entries refer to the total positioning time.

### **Example:**



### 4.4.11. Turning the motor holding brake on and off

Compax3 controls the holding brake of the motor and the power output stage. The time behavior can be set.

**Application:**

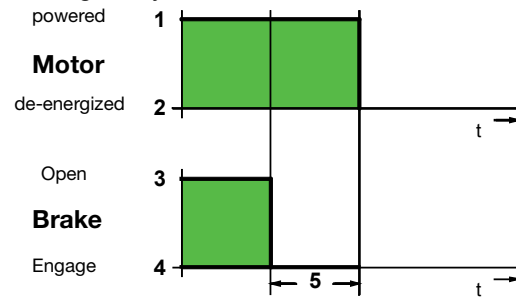
With an axis that is subject to momentum when it is halted (e. g. for a z-axis) the drive can be switched on and off such that no movement of the load takes place. The drive thereby remains energized during the holding brake response time. This is adjustable.

**The power output stage current is de-energized by:**

- ◆ Error or
- ◆ the control word
- ◆ the ServoManager

Thereafter the motor is braked to zero rotation speed on the set ramp.

When zero speed is reached, the motor is de-energized with the delay "brake closing delay time".



- 1: Motor powered
- 2: Motor de-energized
- 3: Open brake
- 4: Engage the brake
- 5: Brake closing delay time

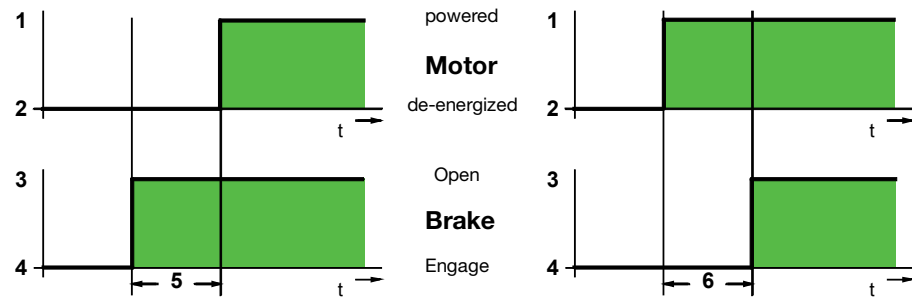
**The power output stage is enabled by:**

- ◆ Acknowledge (after error) with the control word
- ◆ the ServoManager

The motor is energized with the delay "delay time for brake release":

**brake closing delay time > 0**

**brake closing delay time < 0**



- 1: Motor powered
- 2: Motor de-energized
- 3: Open brake
- 4: Engage the brake
- 5: Delay time for brake release (positive value)
- 6: Delay time for brake release (negative value)

A negative value (6) can be used to energize the motor and then to release the brake after the given time.

# 5. Communication

## In this chapter you can read about:

Compax3 communication variants .....	280
COM port protocol .....	289
Remote diagnosis via Modem .....	294
CANopen .....	297

Here you will find the description of the fieldbus interfaces, which can be configured in the Compax3 ServoManager under the tree entry "configuring the communication".

**Please note:** The configuration of the process data (Mapping) is made wizard-guided with the Compax3 ServoManager.

If you perform the mapping directly via the master, you must go through this fieldbus wizard once; the Compax3 ServoManager will perform the necessary initializations.

## 5.1 Compax3 communication variants

### In this chapter you can read about:

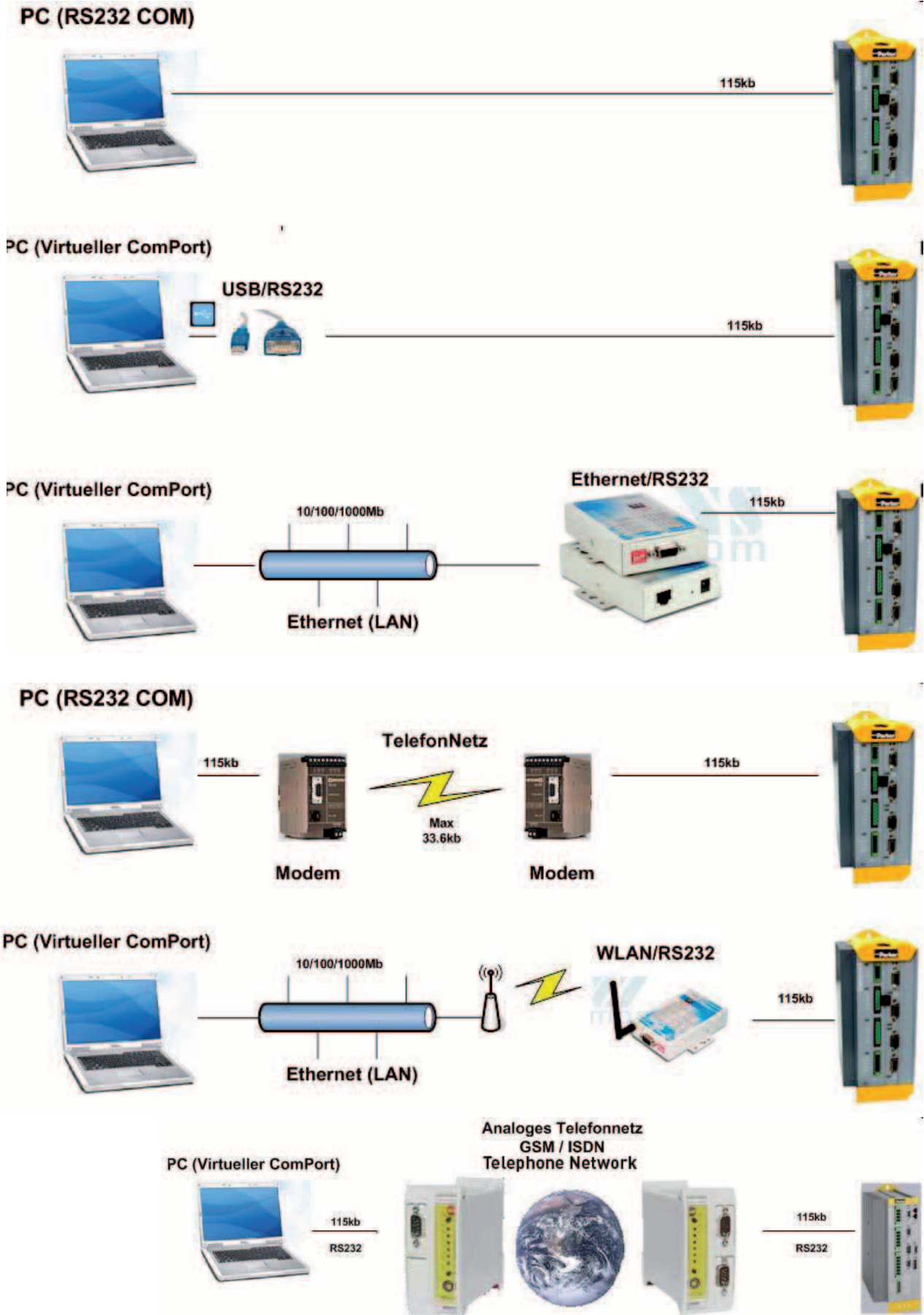
PC <-> Compax3 (RS232) .....	281
PC <-> Compax3 (RS485) .....	282
PC <-> C3M device combination (USB) .....	283
USB-RS485 Moxa Uport 1130 adapter .....	284
ETHERNET-RS485 NetCOM 113 adapter .....	285
Modem MB-Connectline MDH 500 / MDH 504 .....	286
C3 settings for RS485 two wire operation .....	287
C3 settings for RS485 four wire operation .....	288

Overview of all possible communication modes between Compax3 devices and a PC.



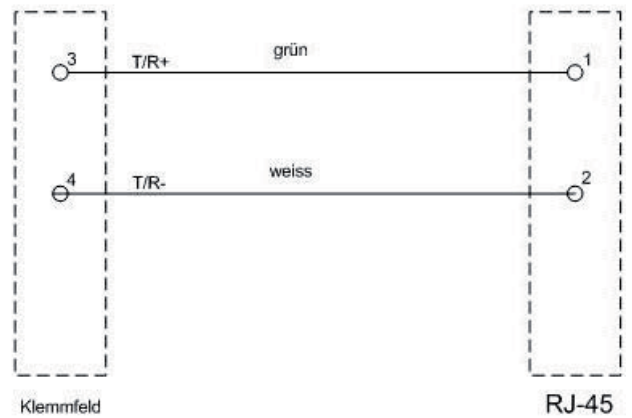
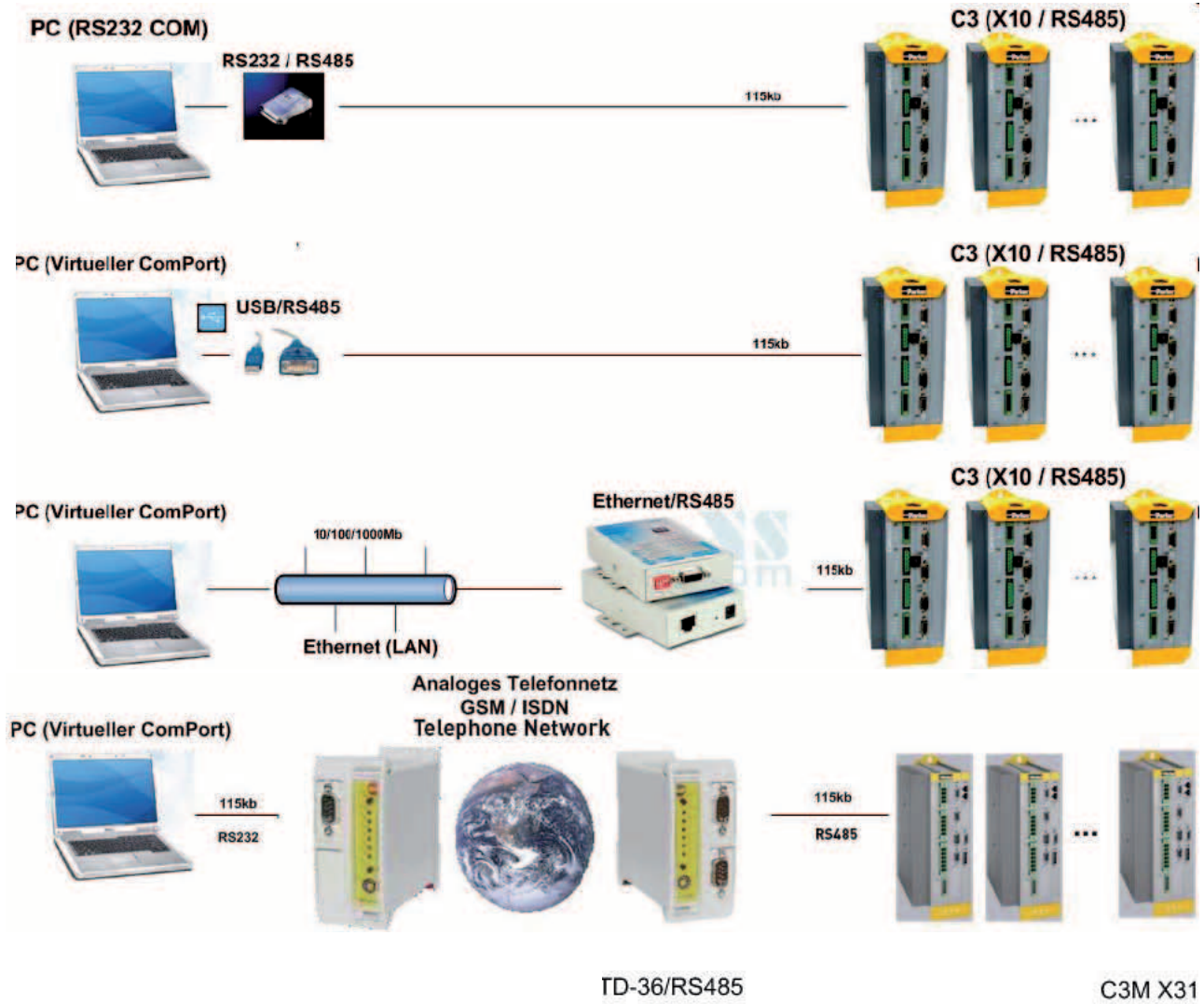
### 5.1.1. PC <-> Compax3 (RS232)

PC <-> Compax3 (RS232): Connections to a device



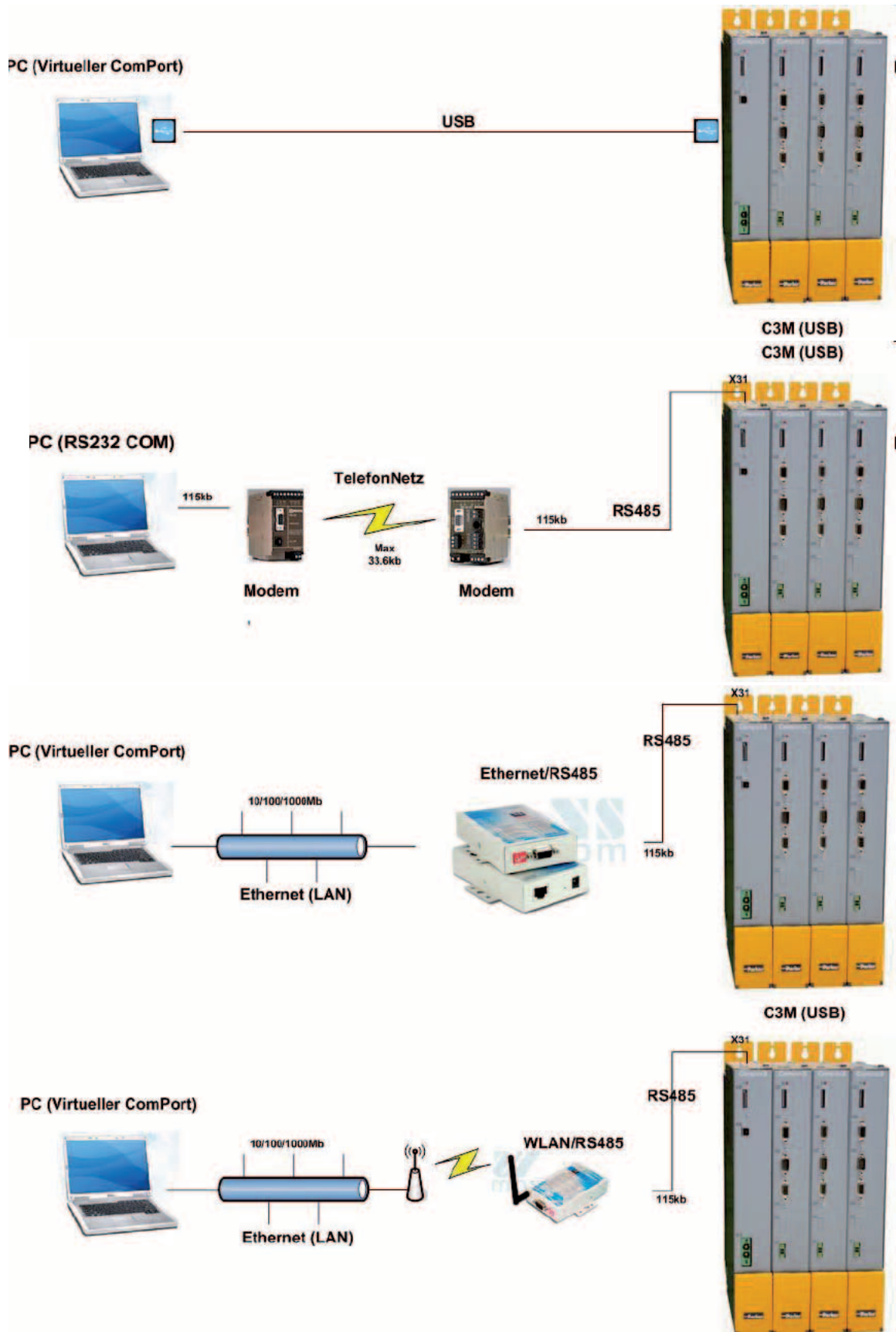
### 5.1.2. PC <-> Compax3 (RS485)

#### PC <-> Compax3 (RS485)



### 5.1.3. PC <-> C3M device combination (USB)

PC <-> C3M device combination



### 5.1.4. USB-RS485 Moxa Uport 1130 adapter



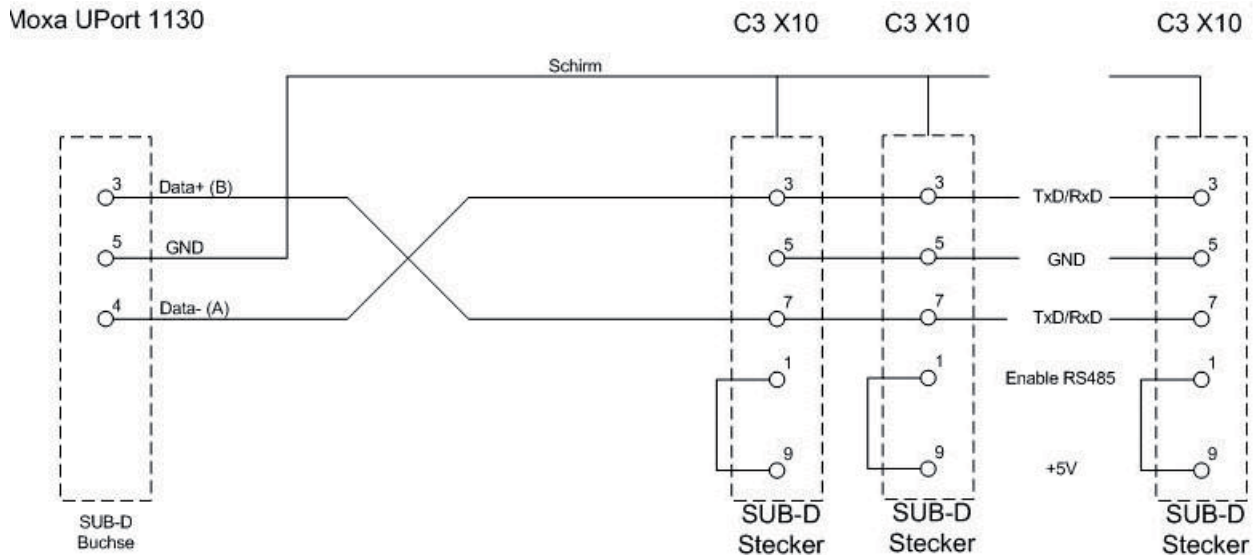
**Male DB9**

PIN	RS-422/4-wire RS-485	2-wire RS-485
1	TxD-(A)	-
2	TxD+(B)	-
3	RxD+(B)	Data+(B)
4	RxD-(A)	Data-(A)
5	GND	GND
6	-	-
7	-	-
8	-	-

The serial UPort 1130 USB adapter offers a simple and comfortable method of connecting an RS-422 or RS-485 device to your laptop or PC. The UPort 1130 is connected to the USB port of your computer and complements your workstation with a DB9 RS-422/485 serial interface. For simple installation and configuration, Windows drivers are already integrated. The UPort 1130 can be used with new or legacy serial devices and supports both 2- and 4-wire RS-485. It is especially suited for mobile, instrumentation and point-of-sale (POS) applications.

Manufacturer link: [http://www.moxa.com/product/UPort\\_1130.htm](http://www.moxa.com/product/UPort_1130.htm)  
[http://www.moxa.com/product/UPort\\_1130.htm](http://www.moxa.com/product/UPort_1130.htm)

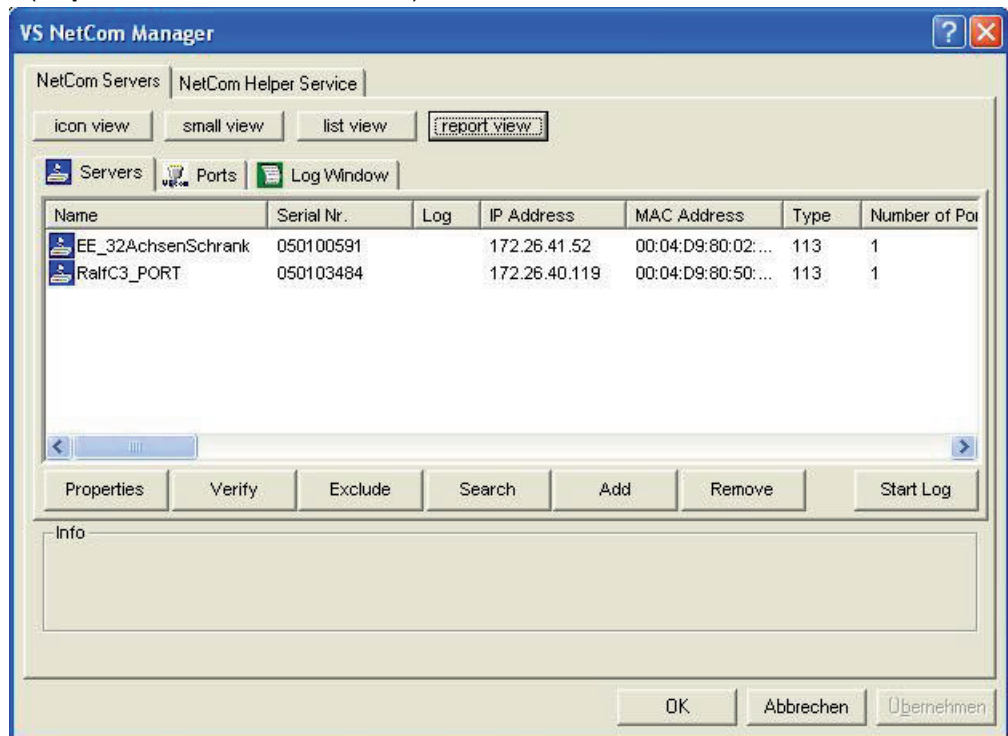
**Connection plan for Compax3S:**



### 5.1.5. ETHERNET-RS485 NetCOM 113 adapter



Manufacturer link: <http://www.vscom.de/666.htm>  
 (<http://www.vscom.de/666.htm>)



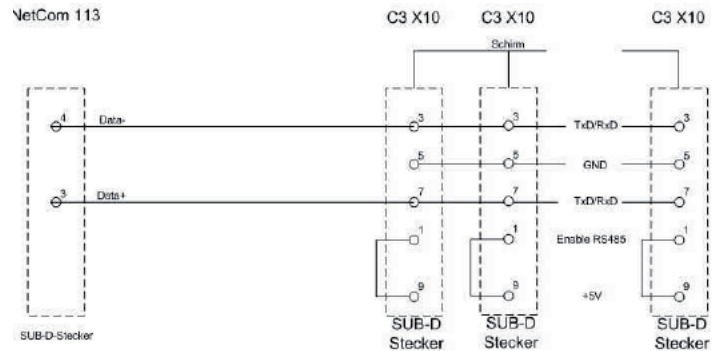
**DIP Switch settings NetCom 113 for two-wire operation:**

1ON 2ON 3off 4off (Mode: RS485 by ART (2 wire without Echo))

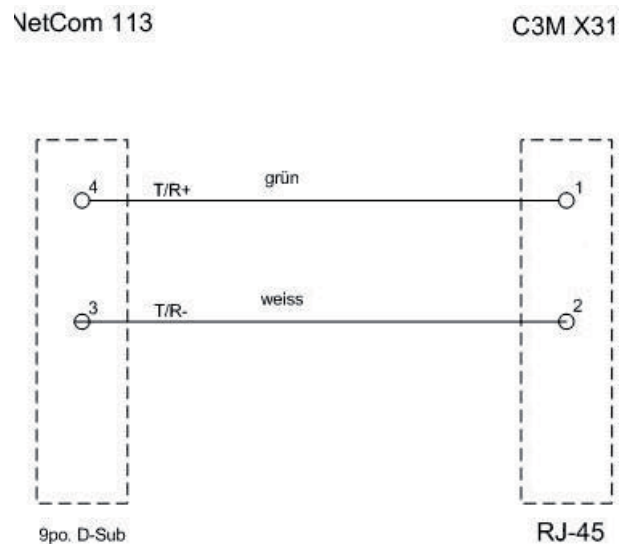
**Communication settings C3S/C3M:**

Object	Function	Value
810.1	Protocol	16 (two wire)
810.2	Baud rate	115200
810.3	NodeAddress	1..254
810.4	Multicast Address	

**Connection plan NetCom113 <-> C3S :**



**Connection plan NetCom113 <-> C3M X31:**



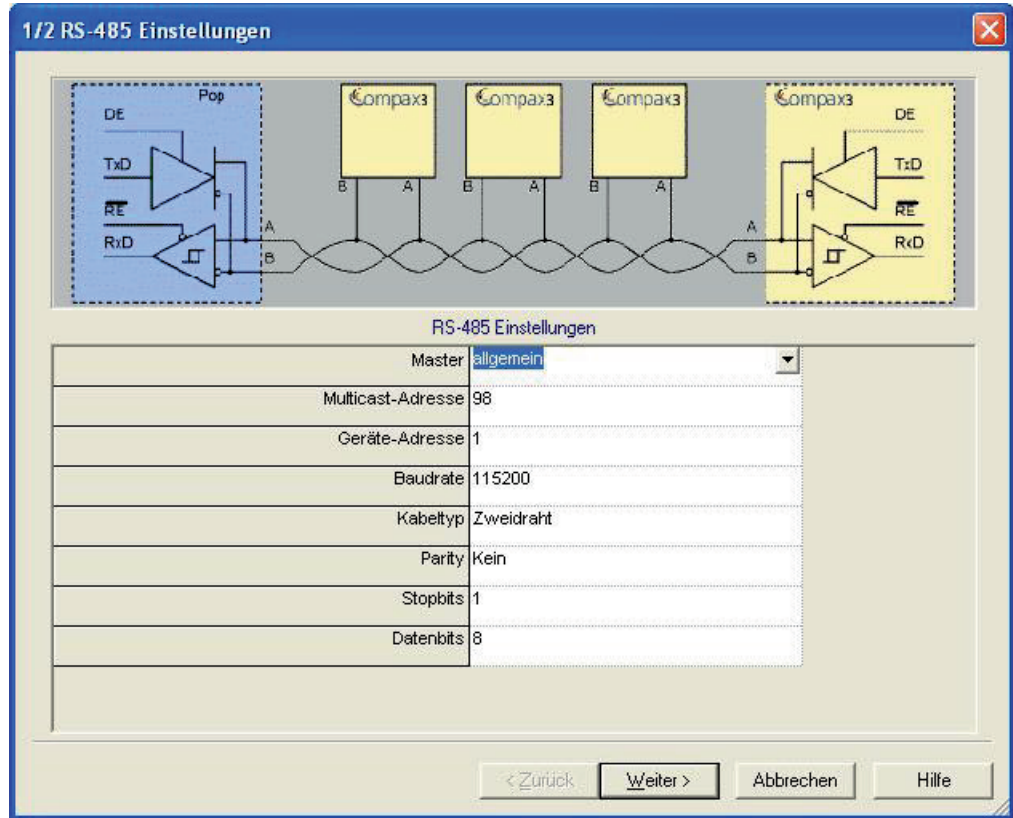
**5.1.6. Modem MB-Connectline MDH 500 / MDH 504**

With the modems MDH500 and MDH504 manufactured by MB-Connectline, you can establish an independent connection. A virtual COM port is generated and the communication with the PC as well as the Compax3 takes place via RS232 or RS485.

It is not necessary to make any modem settings on the Compax3.

### 5.1.7. C3 settings for RS485 two wire operation

**C3 ServoManager RS485 wizard settings:**  
 download with configuration in RS232 mode!

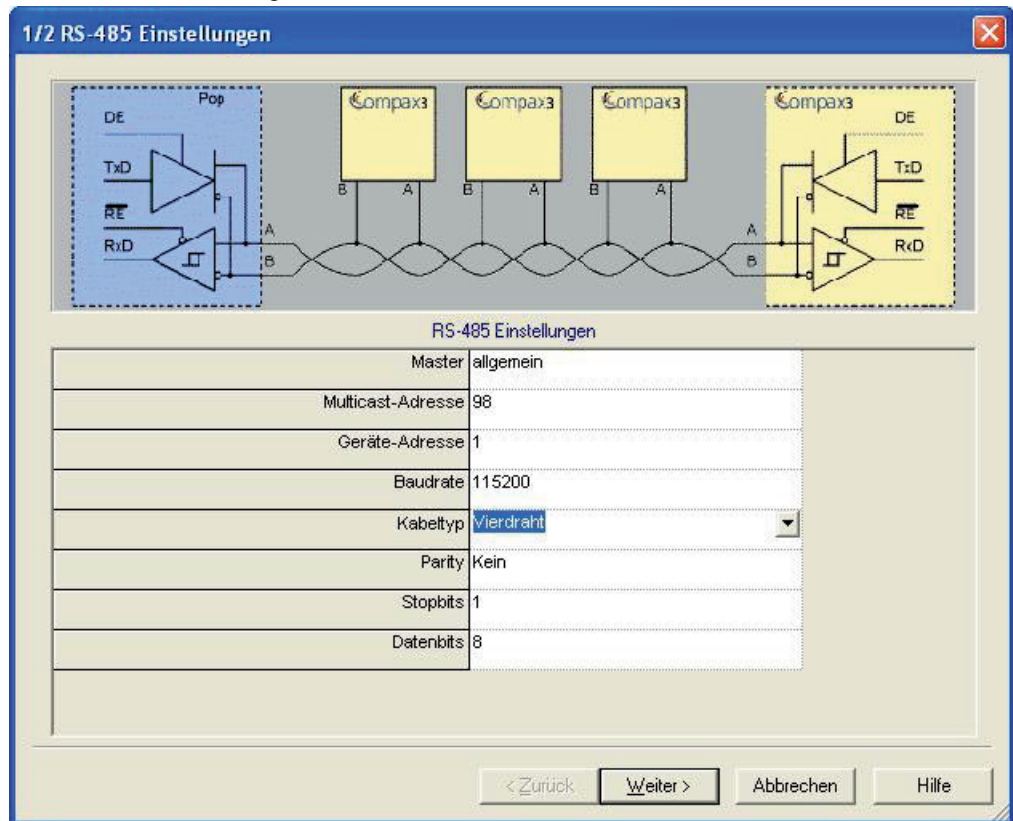


**Communication settings C3S/C3M:**

Object	Function	Value
810.1	Protocol	16 (two wire)
810.2	Baud rate	115200
810.3	NodeAddress	1..254
810.4	Multicast Address	

### 5.1.8. C3 settings for RS485 four wire operation

**C3 ServoManager RS485 wizard settings:**  
 download with configuration in RS232 mode



**Communication settings C3S/C3M:**

Object	Function	Value
810.1	Protocol	0 (4 wire)
810.2	Baud rate	115200
810.3	NodeAddress	1..254
810.4	Multicast Address	



## 5.2 COM port protocol

**In this chapter you can read about:**

RS485 settings values ..... 289  
 ASCII - record ..... 289  
 Binary record ..... 290

You can communicate with Compax3 in order to read or write objects via plug X10 ( or X3 on the mains module of Compax3M) on the front via a COM port (max. 32 nodes).

As a rule 2 records are possible:

- ◆ ASCII record: simple communication with Compax3
- ◆ Binary record: fast and secure communication with Compax3 by the aid of block securing.

**Switching between the ASCII and the binary record via automatic record detection.**

Interface settings (see on page 404)

- Wiring** RS232: **SSK1** (see on page 379)  
 RS485: as **SSK27** (see on page 380) / RS485 is activated by +5V on X10/1.  
 USB: SSK33/03 (only for Compax3M)

### 5.2.1. RS485 settings values

If "Master=Pop" is selected, only the settings compatible with the Pops (Parker Operator Panels) made by Parker are possible.

**Please note that the connected Pop has the same RS485 setting values.  
 You can test this with the "PopDesigner" software.**

"Master=General" makes all Compax3 settings possible.

**Multicast Address** You can use this address to allow the master to access multiple devices simultaneously.

**Device Address** The device address of the connected Compax3 can be set here.

**Baud rate** Adjust the transfer speed (baud rate) to the master.

**Cable type** Please choose between **two-wire and four-wire RS485** (see on page 59).

**Protocol** Adjust the protocol settings to the settings of your master.

### 5.2.2. ASCII - record

The general layout of a command string for Compax3 is as follows:

***[Adr] command CR***

<b>Adr</b>	RS232: no address RS485: Compax3 address in the range 0 ... 99 Address settings can be made in the C3 ServoManager under "RS485 settings"
<b>Command</b>	valid Compax3 command
<b>CR</b>	End sign (carriage return)

**Command** A command consists of the representable ASCII characters (0x21 .. 0x7E). Small letters are converted automatically into capitals and blanks (0x20) are deleted, if they are not placed between two quotation marks.  
Separator between places before and after the decimal is the decimal point (0x2E).  
A numeric value can be given in the Hex-format if it is preceded by the "\$" sign.  
Values can be requested in the Hex-format if the CR is preceded additionally by the "\$" sign.

**Answer strings** All commands requesting a numeric value from Compax3 are acknowledged with the respective numeric value in the ASCII format followed by a CR without preceding command repetition and following statement of unit. The length of these answer strings differs depending on the value.  
Commands requesting an Info-string (e.g. software version), are only acknowledged with the respective ASCII character sequence followed by a CR, without preceding command repetition. The length of these answer strings is here constant.  
Commands transferring a value to Compax3 or triggering a function in Compax3 are acknowledged by:

**>CR**

if the value can be accepted resp. if the function can be executed at that point in time.

If this is not the case or if the command syntax was invalid, the command is acknowledged with

**!xxxxCR**

The 4 digit error number **xxxx** is given in the HEX format; you will find the meaning in the **appendix** (see on page 338).

**RS485 answer string** When using RS485, each answer string is preceded by a "\*" (ASCII - character: 0x2A).

### Compax3 commands

**Read object** *RS232: O [\$] Index , [\$] Subindex [\$]*

*RS485: Address O [\$] Index , [\$] Subindex [\$]*

The optional "\$" after the subindex stands for "hex-output" which means that an object value can also be requested in hex;  
For example "O \$0192.2\$": (Object 402.2)

**Write object** *RS232: O [\$] Index , [\$] Subindex = [\$] Value [ ; Value2 ; Value3 ; ...]*

*RS485: Address O [\$] Index , [\$] Subindex = [\$] Value [ ; Value2 ; Value3 ; ...]*

The optional "\$" preceding Index, Subindex and value stands for "Hex-input" which means that Index, Subindex and the value to be transferred can also be entered in hex (e.g. O \$0192.2=\$C8).

## 5.2.3. Binary record

The binary record with block securing is based on 5 different telegrams:

- ◆ 2 request telegrams which the control sends to Compax3 and
- ◆ 3 response telegrams which Compax3 returns to the control.

## Telegram layout

### Basic structure:

<b>Start code</b>	<b>Address</b>	<b>Number of data bytes - 1</b>	<b>Data</b>				<b>Block securing</b>	
SZ	A	L	D0	D1	...	Dn	Crc(Hi)	Crc(Lo)

### The start code defines the frame type and is composed as follows:

Bit	7	6	5	4	3	2	1	0
<b>Frame type</b>	<b>Frame identification</b>				<b>PLC</b>		<b>Gateway</b>	<b>Address</b>
RdObj read object	1	0	1	0	x	1	x	x
WrObj write object	1	1	0	0	x	1	x	x
Rsp response	0	0	0	0	0	1	0	1
Ack positive command acknowledgement	0	0	0	0	0	1	1	0
Nak Negative command acknowledgement	0	0	0	0	0	1	1	1

Bits 7, 6, 5 and 4 of the start code form the telegram identification; Bit 2 is always "1".

Bits 3, 1 and 0 have different meanings for the request and response telegrams.

The address is only necessary for RS484.

### Request telegrams

#### -> **Compax3**

- ◆ the address bit (Bit 0 = 1 ) shows if the start code is followed by an address (only for RS485; for RS232 Bit 0 = 0)
- ◆ the gateway bit (Bit 1 = 1) shows if the message is to be passed on. (Please set Bit 1 = 0, as this function is not yet available)
- ◆ the PLC bit (Bit 3 = 1 ) allows access to objects in the PLC/Pop format  
U16, U32: for integer formats (see bus formats: Ix, Ux, V2)  
IEEE 32Bit Floating Point: for non integer formats (bus formats: E2\_6, C4\_3, Y2, Y4; without scaling)

With Bit 3 = 0 the objects are transmitted in the DSP format.

DSP formats:

24 Bit = 3 Bytes: Integer INT24 or Fractional FRACT24

48 Bit = 6 Bytes: Real REAL48 (3 Byte Int, 3 Byte Fract) / Double Integer DINT48 / Double Fractional DFRACT48

**Response telegram****Compax3 ->**

- ◆ Bits 0 and 1 are used to identify the response
- ◆ Bit 3 is always 0

The maximum number of data bytes in the request telegram is 256, in the response telegram 253.

The block securing (CRC16) is made via the CCITT table algorithm for all characters.

After receiving the start code, the timeout monitoring is activated in order to avoid that Compax3 waits in vain for further codes (e.g. connection interrupted) The timeout period between 2 codes received is fixed to 5ms (5 times the code time at 9600Baud)

**Write object - WrObj telegram**

SZ	Adr	L	D0	D1	D2	D3 ... Dn	Crc(Hi)	Crc(Lo)
0xCX		n	Index(Hi)	Index(Lo)	Subindex	Value	0x..	0x..

Describing an object by a value.

**Positive acknowledgement - Ack-telegram**

SZ	L	D0	D1	Crc(Hi)	Crc(Lo)
0x06	1	0	0	0x..	0x..

Answer from Compax3 if a writing process was successful, i.e. the function could be executed and is completed in itself.

**Negative acknowledgement - Nak - telegram**

SZ	L	D0	D1	Crc(Hi)	Crc(Lo)
0x07	1	F-No.(Hi)	F-No.(Lo)	0x..	0x..

Answer from Compax3 if access to the object was denied (e.g. function cannot be executed at that point in time or object has no reading access). The error no. is coded according to the DriveCom profile resp. the CiA Device Profile DSP 402.

**Read object - RdObj - telegram**

SZ	Adr	L	D0	D1	D2	D3	D4	D5	...	Dn	Crc(Hi)	Crc(Lo)
0xAX		n	Index1(Hi)	Index1(Lo)	Subindex1	Index2(Hi)	Index2(L o)	Subindex2	...	...	0x..	0x..

Reading one or several objects

**Answer - Rsp - telegram**

SZ	L	D0 ... Dx-1	Dx ... Dy-1	Dy-D..	D ... D..	D ... Dn	Crc(Hi)	Crc(Lo)
0x05	n	Value1	Value 2	Value 3	Value ..	Value n	0x..	0x..

Answer from Compax3 if the object can be read.

If the object has no reading access, Compax3 answers with the Nak - telegram.

**Example:****Reading object "StatusPositionActual" (o680.5):**

Request: A5 03 02 02 A8 05 E1 46

Response: 05 05 FF FF FF FF FE 2D 07 B4

**Writing into an Array (o1901.1 = 2350)**

Request: C5 02 08 07 6D 01 00 09 2E 00 00 00 95 D5

Response: 06 01 00 00 BA 87

**Block securing:****Checksum calculation for the CCITT table algorithm**

The block securing for all codes is performed via the following function and the corresponding table:

The "CRC16" variable is set to "0" before sending a telegram.

**Function call:**

```
CRC16 = UpdateCRC16(CRC16, Character);
```

This function is called up for each Byte (Character) of the telegram.

The result forms the last two bytes of the telegram

Compax3 checks the CRC value on receipt and reports CRC error in the case of a deviation.

```
Function const unsigned int _P_CRC16_table[256] = {
    0x0000, 0x1021, 0x2042, 0x3063, 0x4084, 0x50a5, 0x60c6, 0x70e7,
    0x8108, 0x9129, 0xa14a, 0xb16b, 0xc18c, 0xd1ad, 0xe1ce, 0xf1ef,
    0x1231, 0x0210, 0x3273, 0x2252, 0x52b5, 0x4294, 0x72f7, 0x62d6,
    0x9339, 0x8318, 0xb37b, 0xa35a, 0xd3bd, 0xc39c, 0xf3ff, 0xe3de,
    0x2462, 0x3443, 0x0420, 0x1401, 0x64e6, 0x74c7, 0x44a4, 0x5485,
    0xa56a, 0xb54b, 0x8528, 0x9509, 0xe5ee, 0xf5cf, 0xc5ac, 0xd58d,
    0x3653, 0x2672, 0x1611, 0x0630, 0x76d7, 0x66f6, 0x5695, 0x46b4,
    0xb75b, 0xa77a, 0x9719, 0x8738, 0xf7df, 0xe7fe, 0xd79d, 0xc7bc,
    0x48c4, 0x58e5, 0x6886, 0x78a7, 0x0840, 0x1861, 0x2802, 0x3823,
    0xc9cc, 0xd9ed, 0xe98e, 0xf9af, 0x8948, 0x9969, 0xa90a, 0xb92b,
    0x5af5, 0x4ad4, 0x7ab7, 0x6a96, 0x1a71, 0x0a50, 0x3a33, 0x2a12,
    0xdbfd, 0xcbdc, 0xfbbf, 0xeb9e, 0x9b79, 0x8b58, 0xbb3b, 0xab1a,
    0x6ca6, 0x7c87, 0x4ce4, 0x5cc5, 0x2c22, 0x3c03, 0x0c60, 0x1c41,
    0xedae, 0xfd8f, 0xcdcc, 0xddcd, 0xad2a, 0xbd0b, 0x8d68, 0x9d49,
    0x7e97, 0x6eb6, 0x5ed5, 0x4ef4, 0x3e13, 0x2e32, 0x1e51, 0x0e70,
    0xff9f, 0xefbe, 0xdfdd, 0xcffc, 0xbf1b, 0xaf3a, 0x9f59, 0x8f78,
    0x9188, 0x81a9, 0xb1ca, 0xa1eb, 0xd10c, 0xc12d, 0xf14e, 0xe16f,
    0x1080, 0x00a1, 0x30c2, 0x20e3, 0x5004, 0x4025, 0x7046, 0x6067,
    0x83b9, 0x9398, 0xa3fb, 0xb3da, 0xc33d, 0xd31c, 0xe37f, 0xf35e,
    0x02b1, 0x1290, 0x22f3, 0x32d2, 0x4235, 0x5214, 0x6277, 0x7256,
    0xb5ea, 0xa5cb, 0x95a8, 0x8589, 0xf56e, 0xe54f, 0xd52c, 0xc50d,
    0x34e2, 0x24c3, 0x14a0, 0x0481, 0x7466, 0x6447, 0x5424, 0x4405,
    0xa7db, 0xb7fa, 0x8799, 0x97b8, 0xe75f, 0xf77e, 0xc71d, 0xd73c,
    0x26d3, 0x36f2, 0x0691, 0x16b0, 0x6657, 0x7676, 0x4615, 0x5634,
    0xd94c, 0xc96d, 0xf90e, 0xe92f, 0x99c8, 0x89e9, 0xb98a, 0xa9ab,
    0x5844, 0x4865, 0x7806, 0x6827, 0x18c0, 0x08e1, 0x3882, 0x28a3,
    0xcb7d, 0xdb5c, 0xeb3f, 0xfb1e, 0x8bf9, 0x9bd8, 0xabbb, 0xbb9a,
    0x4a75, 0x5a54, 0x6a37, 0x7a16, 0x0af1, 0x1ad0, 0x2ab3, 0x3a92,
    0xfd2e, 0xed0f, 0xdd6c, 0xcd4d, 0xbdaa, 0xad8b, 0x9de8, 0x8dc9,
    0x7c26, 0x6c07, 0x5c64, 0x4c45, 0x3ca2, 0x2c83, 0x1ce0, 0x0cc1,
    0xef1f, 0xff3e, 0xcf5d, 0xdf7c, 0xaf9b, 0xbfba, 0x8fd9, 0x9ff8,
    0x6e17, 0x7e36, 0x4e55, 0x5e74, 0x2e93, 0x3eb2, 0x0ed1, 0x1ef0
};

unsigned int UpdateCRC16(unsigned int crc,unsigned char wert) {

unsigned int crc16;

crc16 = (CRC16_table[(crc >> 8) & 0x00FF] ^ (crc << 8)
^ (unsigned int)(value));

return crc16;

}

```

You will find this function on the Compax3 DVD under RS232\_485\\Function UpdateCRC16.txt!

## 5.3 Remote diagnosis via Modem

**In this chapter you can read about:**

Structure.....294  
 Configuration of local modem 1 .....295  
 Configuration of remote modem 2.....296  
 Recommendations for preparing the modem operation.....296

**Caution!**

**As the transmission via modem may be very slow and interference-prone, the operation of the Compax3 ServoManager via modem connection is on your own risk!**

**The function setup mode as well as the ROLL mode of the oscilloscope are not available for remote diagnosis!**

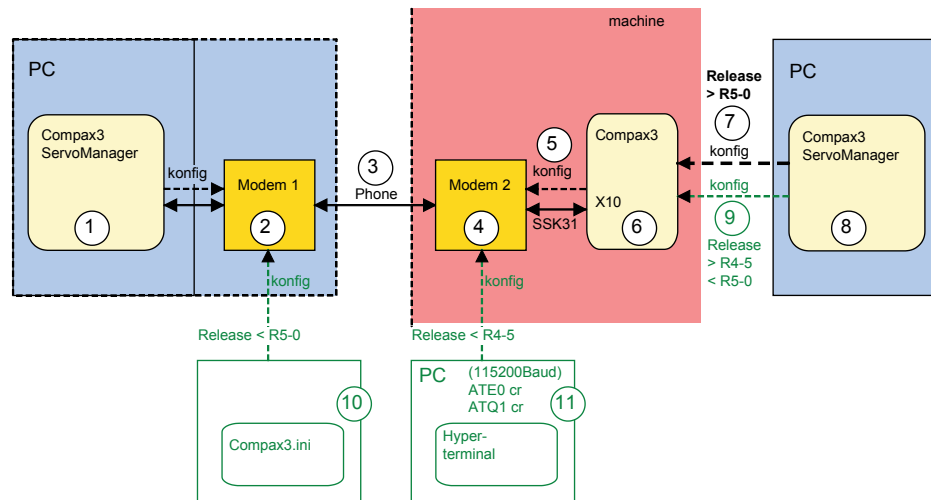
**It is not recommended to use the logic analyzer in the Compax3 IEC61131-3 debugger due to the limited bandwidth.**

**Requirements:**

For modem operation, a direct and stable telephone connection is required. Operation via a company-internal telephone system is not recommended.

### 5.3.1. Structure

**Layout and configuration of a modem connection ServoManager - Compax3:**



The green part of the drawing shows the proceeding for Compax3 release versions < R5-0!

The proceeding for Compax3 release versions < R5-0 is described in an application example (.../modem/C3\_Appl\_A1016\_*language*.pdf on the Compax3 CD).

### **Connection Compax3 ServoManager <=> Compax3**

The Compax3 ServoManager (1) establishes a RS232 connection with modem 1 (PC internal or external).

Modem 1 dials modem 2 via a telephone connection (3).


Modem 2 communicates with Compax3 (6) via RS232.

### **Configuration**

Modem 1 is configured via the Compax3 ServoManager (1)

Modem 2 can be configured via Compax3 (on place), triggered by putting **SSK31** (see on page 383) on X10. For this, the device must be configured before. This can be made locally before the system / machine is delivered with the aid of the Compax3 ServoManager (8).

## **5.3.2. Configuration of local modem 1**

- ◆ Menu "Options: Communication settings RS232/RS485..." must be opened
- ◆ Select "Connection via Modem"
- ◆ Under "name" you can enter a name for the connection
- ◆ Enter the target telephone number.
  - Note: If an ISDN telephone system is operated within a company network, an additional "0" may be required in order to get out of the local system into the company network before reaching the outside line with an additional "0".
- ◆ The timeout periods are set to reasonable standard values according to our experience.
- ◆ Select the modem type.
  - ◆ For "user-defined modem", additional settings are only required, if the modem does not support standard AT commands.
    - Then you can enter special AT commands.
  - ◆ **Hint:**When operating the local modem on a telephone system, it may be necessary to make a blind dialing. Here, the modem does not wait for the dialing tone.
- ◆ Select the COM interface where the modem is connected.
- ◆ Close the window and establish the connection with button  (open/close COM port).
- ◆ The connection is interrupted when the COM port is closed.
- ◆ Select the modem type.
  - ◆ For "user-defined modem", additional settings are only required, if the modem does not support standard AT commands.
    - Then you can enter special AT commands.
  - ◆ **Hint:**When operating the local modem on a telephone system, it may be necessary to make a blind dialing. Here, the modem does not wait for the dialing tone.

### 5.3.3. Configuration of remote modem 2

Settings in Compax3 under "configure communication: Modem settings":

- ◆ Modem initialization = "ON": After the SSK31 modem cable has been connected, Compax3 initializes the modem
- ◆ Modem initialization after Power On = "ON": After Power on of Compax3, the device initializes the modem
- ◆ Modem check = "ON": a modem check is performed
- ◆ The timeout periods are set to reasonable standard values according to our experience.
- ◆ Select the modem type.
  - ◆ For "user-defined modem", additional settings are only required, if the modem does not support standard AT commands.  
Then you can enter special AT commands.
  - ◆ **Hint:**When operating the local modem on a telephone system, it may be necessary to make a blind dialing. Here, the modem does not wait for the dialing tone.
- ◆ In the following wizard window, a specific download of the modem configuration can be made.

#### Note:

If a configuration download is interrupted, the original settings in the non volatile memory of the Compax3 are still available.

You have to finish the communication on the PC side and to reset the Compax3 via the 24V supply before you can start a new trial.

#### Reinitialization of the remote modem 2


Remove cable on Compax3 X10 and connect again!

### 5.3.4. Recommendations for preparing the modem operation

#### Preparations:

- ◆ Settings in Compax3 under "configure communication: Modem settings":
  - ◆ Modem initialization: "ON"
  - ◆ Modem initialization after Power On: "ON"
  - ◆ Modem check: "ON"
- ◆ Deposit SSK31 cable in the control cabinet.
- ◆ Install modem in the control cabinet and connect to telephone line.

#### Remote diagnosis required:

- ◆ On site:
  - ◆ Connect modem to Compax3 X10 via SSK31
  - ◆ Modem is automatically initialized
- ◆ Local:
  - ◆ Connect modem to telephone line
  - ◆ Establish cable connection to modem (COM interface)
  - ◆ Select "connection via modem" under "options: communication settings RS232/RS485...".
  - ◆ Select modem under "selection"
  - ◆ Enter telephone number
  - ◆ Select COM interface (PC - modem)
  - ◆ Establish connection with button  (open/close COM port).



## 5.4 CANopen

### In this chapter you can read about:

CANopen - configuration .....	297
CANopen - operating mode .....	297
Baud rate.....	312
Transmission cycle time .....	312
State machine .....	313
Acyclic parameter channel.....	315
CANopen communication profile.....	317

### 5.4.1. CANopen - configuration

Following are described the input windows of the CANopen configuration wizard. Can be called up in the tree (Compax3 ServoManager, left window) under "configure configuration".

### 5.4.2. CANopen - operating mode

◆ **Slave on C3 powerPLmC:** The device under consideration receives its travel commands via CANopen from the C3 powerPLmC master and is integrated into the C3 powerPLmC via the DriveInterface. Other input of this wizard window is reduced with this selection, since the corresponding settings are made by the "C3 powerPLmC" master.

◆ **Slave in Velocity Mode - Velocity control:** The nominal rotation speed is specified via CANopen and the actual values are read back.

◆ **Slave in Position Mode - Direct positioning:** The nominal position is specified via CANopen and the actual values are read back.

◆ **Slave with set selection:** activation of motion sets stored in an array via CANopen.

◆ Machine zero (Homing)

◆ Manual operation (Jogging)

◆ Interpolated Position Mode (Target position = 0x60C1.1)

◆ Cyclic Synchronous Position Mode (Target position = 0x607A)

#### **Slave with configuration via Master**

Select "Slave with configuration via Master" if you make the operating mode setting and mapping via the master.

Then run through the wizard completely.

### 5.4.2.1 Slave in Velocity Mode - velocity control

Setting operating mode BA CAN No. 0x6060 (object 1100.5) = 3

CANopen – Master -> Compax3

Possible assignment:

Designation	<Bus_NO>	Object No.	Assigned words	Assignment
Controlword (Control word 1)	0x6040	1100.3	1	optional
Target velocity (3 decimal places)*	0x60FF / 0x2044	1100.13	2	optional
Operating mode	0x6060	1100.5	1	optional
Dig. Outputs (0-3) O0 ... O3)	0x6300.1	140.3	1	optional
Dig. outputs M1x option (digital outputs of the M10/M12 option)	0x6300.2	133.3	1	optional

Layout of the **control word** (see on page 308).

Compax3 -> CANopen – Master

Possible assignment:

Designation	<Bus_NO>	Object No.	Assigned words	Assignment
Status word (Status word 1)	0x6041	1000.3	1	optional
Velocity actual value (3 decimal places)*	0x606C	681.5	2	optional
Torque actual value	0x6077	683.1	1	optional
Dig. inputs (0-7) I0 ... I7)	0x6100.1	120.3	1	optional
Dig. inputs M1x option (Digital outputs of the M10/M12 option)	0x6100.2	121.2	1	optional
Operating mode display	0x6061	1000.5	1	optional
LastError (current Compax3 errors)	0x603F/ 0x201D.1	550.1	1	optional

Layout of the **Status word**. (see on page 310)

\* The values are transmitted as int16 (1 word) or int32 (2 words).

With 1 decimal place: Divide value by 10.

With 3 decimal places: Divide value by 1000.

**Example:**

PLC Value	Compax3 value	
1000	1.000	(3 decimal places)
10	1.0	(1 decimal place)

### 5.4.2.2 Slave in Position Mode - Direct Positioning

Communication between Master and Compax3 takes place via the process data objects (PDOs)

Procedure:

Selection of the motion function: Bit 15, 13, 6 of the control word 1

Start of the motion function: Bit 4 of the control word 1

Specification of the motion parameters: Objects of the PDOs

**Setting operating mode BA CAN No. 0x6060 (object 1100.5) = 1**

#### CANopen – Master -> Compax3

##### Possible assignment:

Designation	<Bus_NO>	Object No.	Assigned words	Assignment
Controlword (Control word 1)	0x6040	1100.3	1	optional
Target position Y4 (position command value) (3 decimal places)*	0x607A / 0x2044	1100.6	2	optional
Profile velocity (1 decimal place)*	0x202C / 0x2068	1100.14	1	optional
Profile velocity (3 decimal places)*	0x6081 / 0x2046	1100.7	2	optional
Profile acceleration (no decimal place)	0x202D	1111.10	1	optional
Profile acceleration (no decimal place)	0x6083	1111.3	2	optional
Profile deceleration (no decimal place)	0x205D	1111.16	1	optional
Profile deceleration (no decimal place)	0x6084	1111.4	2	optional
Dig. Outputs (0-3) O0 ... O3)	0x6300.1	140.3	1	optional
Dig. outputs M1x option (digital outputs of the M10/M12 option)	0x6300.2	133.3	1	optional
Operating mode	0x6060	1100.5	1	optional
Interpolation data (Interpolation input)	0x60C1.1	3921.1	2	optional

\* The values are transmitted as int16 (1 word) or int32 (2 words).

With 1 decimal place: Divide value by 10.

With 3 decimal places: Divide value by 1000.

##### Example:

PLC Value	Compax3 value	
1000	1.000	(3 decimal places)
10	1.0	(1 decimal place)

Layout of the **control word** (see on page 308).

Profile velocity, Profile acceleration and Profile deceleration are available twice with the same function, they differ only in the word width.

You should therefore only use one of these two values depending on the desired precision.

##### Attention:

The meaning of "Target position Y4" changes depending on the motion function (can be set via the **operating mode** (see on page 308) 1100.5 Mode 0. 2):

**With the motion function Gearing applies:**

With Gearing: Target position Y4 (position command value) = Gearing numerator

**In reg-related positioning (see on page 146) (RegMove, RegSearch)**

With RegSearch: Target position Y4 (position command value) = RegSearch - value

With RegMove: Target position Y4 (position command value) = RegMove - value

**In the speed control positioning mode (Velocity)**

With Velocity: Target position Y4 (position command value) = Speed setpoint value

The values for StartIgnore (CAN 0x2066; (Object 3300.8) and StopIgnore (CAN 0x2067; (Object 3300.9) can be set via the configuration with the aid of the ServoManager or via SDO.

**Compax3 -> CANopen – Master**

**Possible assignment:**

Designation	<Bus_NO>	Object No.	Assigned words	Assignment
Status word (Status word 1)	0x6041	1000.3	1	optional
Position actual value (3 decimal places)*	0x6064	680.5	2	optional
Velocity actual value (3 decimal places)*	0x606C	681.5	2	optional
Velocity actual value Y2 (1 decimal place)*	0x2023	681.7	1	optional
Torque actual value	0x6077	683.1	1	optional
Follow error actual value	0x60F4	680.6	1	
Dig. inputs (0-7) I7	0x6100.1	120.3	1	optional
Dig. inputs M1x option (Digital outputs of the M10/M12 option)	0x6100.2	121.2	1	optional
Operating mode display	0x6061	1000.5	1	optional
LastError (current Compax3 errors)	0x603F/ 0x201D.1	550.1	1	optional

\* The values are transmitted as int16 (1 word) or int32 (2 words).

With 1 decimal place: Divide value by 10.

With 3 decimal places: Divide value by 1000.

**Example:**

PLC Value	Compax3 value	
1000	1.000	(3 decimal places)
10	1.0	(1 decimal place)

Layout of the **Status word**. (see on page 310)

For values not transferred the standard values defined in the configuration wizard are valid!

The jerk can be changed for example via SDO (0x2005 & 0x2006).

### 5.4.2.3 Slave with set selection

The communication between Master and Compax3 is made via the of the telegram Procedure:

Defining the motion sets with the Compax3 ServoManager or via the acyclic channel.

Selecting the desired motion set via control word 2

Start the motion with control word 1 Bit 4.

**Setting operating mode BA CAN No. 0x6060 (object 1100.5) = -2**

#### CANopen – Master -> Compax3

##### Possible assignment:

Designation	<Bus_NO>	Object No.	Assigned words	Assignment
Controlword (Control word 1)	0x6040	1100.3	1	optional
Controlword2 (control word 2)	0x201B	1100.4	1	optional
Operating mode	0x6060	1100.5	1	optional
Dig. Outputs (0-3) O0 ... O3)	0x6300.1	140.3	1	optional
Dig. outputs M1x option (digital outputs of the M10/M12 option)	0x6300.2	133.3	1	optional

Layout of the **control word** (see on page 308).

#### Compax3 -> CANopen – Master

##### Possible assignment:

Designation	<Bus_NO>	Object No.	Assigned words	Assignment
Status word (Status word 1)	0x6041	1000.3	1	optional
Statusword2 (status word 2)	0x201C	1000.4	1	optional
Position actual value (3 decimal places)*	0x6064	680.5	2	optional
Velocity actual value (3 decimal places)*	0x606C	681.5	2	optional
Velocity actual value (1 decimal place)*	0x2023	681.7	1	optional
Torque actual value	0x6077	683.1	1	optional
Follow error actual value	0x60F4	680.6	1	optional
Dig. inputs (0-7) I0 ... I7)	0x6100.1	120.3	1	optional
Dig. inputs M1x option (Digital outputs of the M10/M12 option)	0x6100.2	121.2	1	optional
Operating mode display	0x6061	1000.5	1	optional
LastError (current Compax3 errors)	0x603F/ 0x201D.1	550.1		optional

\* The values are transmitted as int16 (1 word) or int32 (2 words).

With 1 decimal place: Divide value by 10.

With 3 decimal places: Divide value by 1000.

##### Example:

PLC Value	Compax3 value	
1000	1.000	(3 decimal places)
10	1.0	(1 decimal place)

Layout of the **Status word**. (see on page 310)

**Defining sets:** Please use the Compax3 ServoManager or the acyclic channel in order to enter the motion sets.

Layout of the **Set table** (see on page 302).

### Layout of the set table

**In this chapter you can read about:**

General layout of the table.....302  
 Assignment of the different motion functions.....302  
 Definition of the states of the programmable status bits (PSBs):.....303

The motion sets are memorized in an object table. The table has 9 columns and 32 rows.

A motion set is stored in a table row.

The assignment of the columns depends on the motion function.

### General layout of the table

	Column 1 Type: REAL objects O1901	Column 2 Type: REAL objects O1902	Column 3 Type: INT objects O1903	Column 4 Type: INT objects O1904	Column 5 Type: INT objects O1905	Column 6 Type: DINT objects O1906	Column 7 Type: DINT objects O1907	Column 8 Type: DINT objects O1908	Column 9 Type: DINT objects O1909
Set 1	Row 1 "Array_Col1_Row1" (1901.1)	Row 1 "Array_Col2_Row1" (1902.1)	Row 1 "Array_Col3_Row1" (1903.1)	Row 1 "Array_Col4_Row1" (1904.1)	Row 1 "Array_Col5_Row1" (1905.1)	Row 1 "Array_Col6_Row1" (1906.1)	Row 1 "Array_Col7_Row1" (1907.1)	Row 1 "Array_Col8_Row1" (1908.1)	Row 1 "Array_Col9_Row1" (1909.1)
set no. 2	...	...	...	...	...	...	...	...	...
Set 3	...	...	...	...	...	...	...	...	...
...	...	...	...	...	...	...	...	...	...
Set 31	Row 31 "Array_Col1_Row31" (1901.31)	Row 31 "Array_Col2_Row31" (1902.31)	Row 31 "Array_Col3_Row31" (1903.31)	Row 31 "Array_Col4_Row31" (1904.31)	Row 31 "Array_Col5_Row31" (1905.31)	Row 31 "Array_Col6_Row31" (1906.31)	Row 31 "Array_Col7_Row31" (1907.31)	Row 31 "Array_Col8_Row31" (1908.31)	Row 31 "Array_Col9_Row31" (1909.31)

You will find the respective object number in brackets.

### Assignment of the different motion functions

The columns 3 and 9 are reserved.

Motion-functions	Column 1	Column 2	Column 4	Column 5	Column 6	Column 7	Column 8
	Type: REAL Objects O1901	Type: REAL Objects O1902	Type: INT Objects O1904	Type: INT Objects O1905	Type: DINT Objects O1906	Type: DINT Objects O1907	Type: DINT Objects O1908
	Positions	Speed	Programmiers tatusbits (PSBs)	Mode	Accelerations	Deceleration / denominator	Jerk
MoveAbs (see on page 145)	Target position	Speed	PSBs	1 (for MoveAbs)	Accel	Decel	Jerk
MoveRel (see on page 145)	Distance	Speed	PSBs	2 (for MoveRel)	Accel	Decel	Jerk
Gearing (see on page 150)	-	Numerator	PSBs	3 (for Gearing)	Accel	Denominator	-
RegSearch (see on page 146)	Distance	Speed	PSBs	4 (for RegSearch)	Accel	Decel	Jerk
RegMove (see on page 146)	Offset	Speed	PSBs	5 (for RegMove)	-	-	-
Velocity (see on page 151)	-	Speed	PSBs	6 (for Velocity)	Accel	-	-
STOP	-	-	PSBs	7 (for Stop)	-	Decel	Jerk

**Definition of the states of the programmable status bits (PSBs):**

Bit 7	Bit 6	Bit 5	Bit 4	Bit 3	Bit 2	Bit 1	Bit 0
factory use	Enable2 PSB2	Enable1 PSB1	Enable0 PSB0	factory use	PSB2	PSB1	PSB0
	="1": Set PSB ="0": leave PSB unchanged						

The Bits 0 ... 2 monitor the states of the status bits at the end of a motion set, if the bits were enabled via the respective Enable.

If Enable is set to "0", the respective PSB remains unchanged at the end of the motion set.

PSB0: Status word 2 Bit 12

PSB1: Status word 2 Bit 13

PSB2: Status word 2 Bit 14

**5.4.2.4 Machine zero operating mode (Homing)****Setting operating mode BA CAN No. 0x6060 (object 1100.5) = 6**

The operating mode switching to "Homing" takes place during operation (via the bus) and is not supported by the configuration in the ServoManager.

0x6040 (o1100.3).4 = "1" Homing operation start (activate machine zero run)

0x6040 (o1100.3).8 = "1" Halt (Stop with termination)

**5.4.2.5 Manual operation operating mode (Jogging)****Setting operating mode BA CAN No. 0x6060 (object 1100.5) = -1**

The operating mode switching to "Jogging" takes place during operation (via the bus) and is not supported by the configuration in the ServoManager.

0x6040 (o1100.3).4 = "1" Jog+ (Manual+)

0x6040 (o1100.3).5 = "1" Jog- (Manual-)

0x6040 (o1100.3).8 = "1" Halt (Stop without termination)

**5.4.2.6 "Interpolated Position Mode" operating mode****Setting operating mode BA CAN No. 0x6060 (object 1100.5) = 7**

The operating mode switching to "Interpolated Position Mode" takes place during operation (via the bus) and is not supported by the configuration in the ServoManager.

The target position of the "Interpolated Position mode" is preset via bus object 0x60C1.1 (o3921.1) "Interpolation data". This bus object can be mapped to the telegram in the "Position Mode".

Normalization of the bus object via wizard or O201.11 (0x2021.11) (Standard: 1000 Inc. / Unit)

The "Interpolated Position Mode" operating mode works in SYNC operation; the cycle time is preset via bus object 0x60C2; please respect the **ratings** (see on page 27).

Gearing is not possible in the "interpolated" operating mode.

0x6040 (o1100.3).4 = "1" Enable ip mode

0x6040 (o1100.3).8 = "1" Halt (Stop with termination)

**5.4.2.7 Operating mode: Cyclic Synchronous Position Mode****Setting operating mode BA CAN No. 0x6060 (object 1100.5) = 8**

The operating mode switching to "Cyclic Synchronous Position" takes place during operation (via the bus) and is not supported by the configuration in the ServoManager.

The target position of the "Cyclic Synchronous Position" is preset via the bus object

0x607A (o1100.6) "Target position". This bus object can be found on the telegram in the "Position Mode".

Normalization of the bus object via wizard or O201.11 (0x2021.11) (Standard: 1000 Inc. / Unit)

The "Cyclic Synchronous Position" operating mode works in SYNC operation; the cycle time is preset via bus object 0x60C2; please respect the **ratings** (see on page 27).

Gearing is not possible in the "Cyclic Synchronous Position" operating mode.

0x6040 (o1100.3).8 ="1" Halt (Stop with termination)

### 5.4.2.8 Interpolation

#### In this chapter you can read about:

Interpolation method ..... 304

In the "Interpolated Position Mode" and "Cyclic Synchronous Position Mode" operating modes, the input signal is interpolated. The method of interpolation is defined via object o3925.1

#### **Interpolation method**

##### In this chapter you can read about:

Linear Interpolation (o3925.1 = 0 or o3925.1 = -1) ..... 305

Quadratic interpolation (o3925.1=-2) ..... 305

Cubical interpolation (o3925.1=-3) ..... 306

Linear interpolation of position and Speed setpoint value (o3925.1=-4; (as from R09-20))307

Setting the interpolation method via object 3925.1 (CANopen No.: 0x60C0.0)

0=linear Interpolation (Default)

- ◆ -1=linear Interpolation
- ◆ -2=Quadratic Interpolation
- ◆ -3=Cubical (Spline-) Interpolation
- ◆ -4 linear with speed setpoint value

**Caution! Do only switch while the drive is deactivated!**

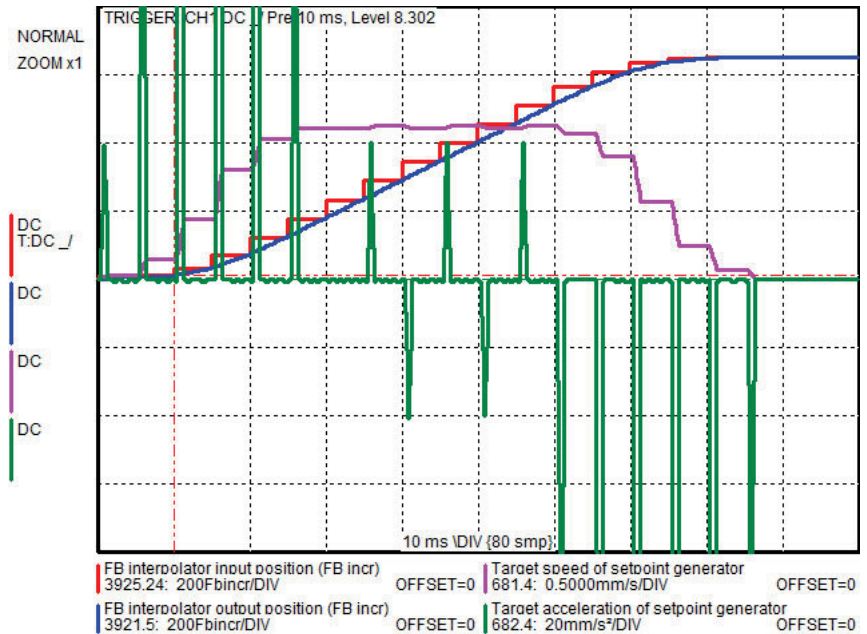


**Linear Interpolation (o3925.1 = 0 or o3925.1 = -1)**

With the transmitted position and the position in the previous bus cycle, a straight of the  $Y(t)=a*t + b$  is calculated. The speed within a bus cycle remains constant. This method is only implemented for the PLL synchronization.

- ◆ **Advantage:** Support of a reset value range
- ◆ **Disadvantage:** During the transition to a new bus cycle, a speed leap (or acceleration peak) may occur => filtering required.

**Example:**

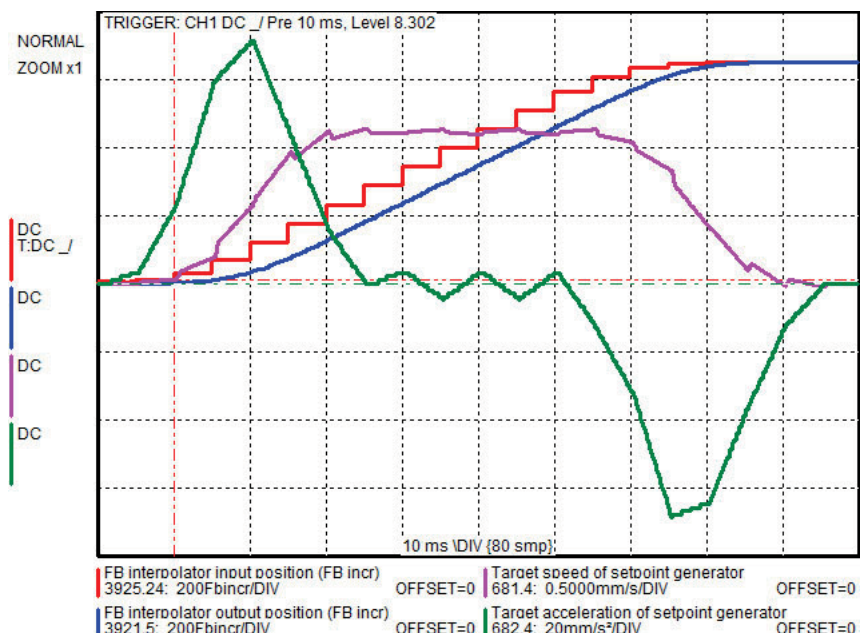


**Quadratic interpolation (o3925.1=-2)**

With the aid of the position received last and the positions from the two previous bus cycles, the polynomial coefficients of the polynomial  $Y(t) = a * t^2 + b * t + c$  are determined. The speed within a bus cycle is a first order function, i.e. the acceleration is constant.

- ◆ **Advantage:** Consistent course of speed

**Example:**



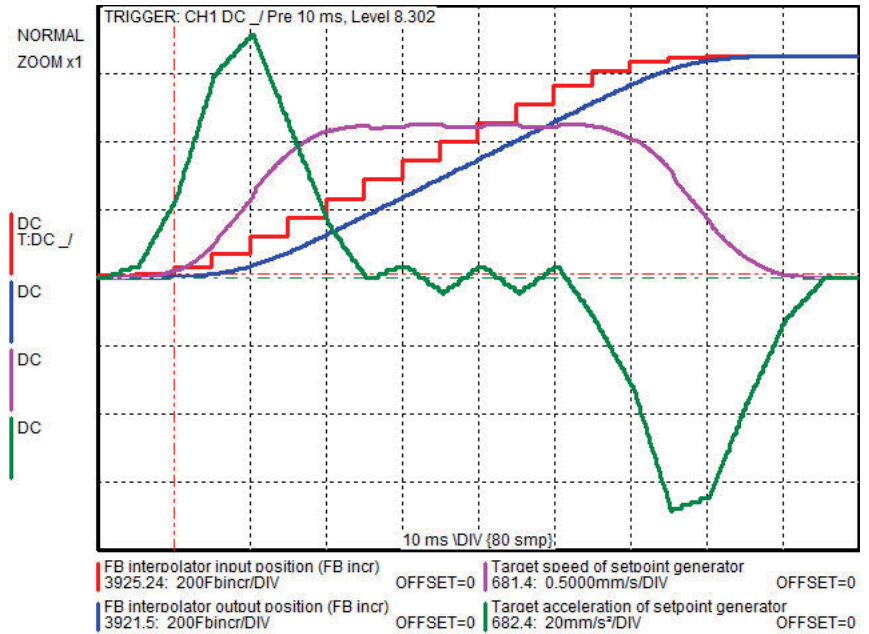
**Cubical interpolation (o3925.1=-3)**

With the aid of the last position received, and the three previous values, the polynomial coefficients of the polynomial

$Y(t) = a * t^3 + b * t^2 + c * t$  are determined. The speed within a bus cycle can change quadratically, i.e. the acceleration is a first order function.

- ◆ **Advantages:** Consistent course of speed and acceleration => best signal quality
- ◆ **Disadvantages:** This method may lead to overshoot on the interpolated outputs.

**Example:**



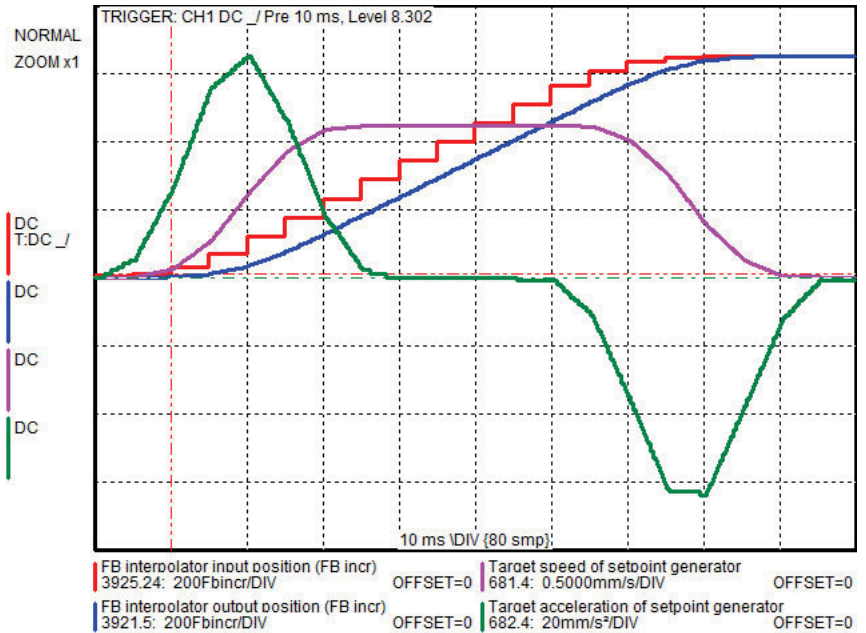
**Linear interpolation of position and Speed setpoint value (o3925.1=-4; (as from R09-20))**

Linear interpolation of interpolator setpoint inputs for position (position source depends on the DS402 mode of operation) and speed (speed source is O3925.20 = 0x2098). Normalization via Wizard or O201.14 (0x2021.14). Standard: 1000 Inc./Units/.

The acceleration is derived from the speed.

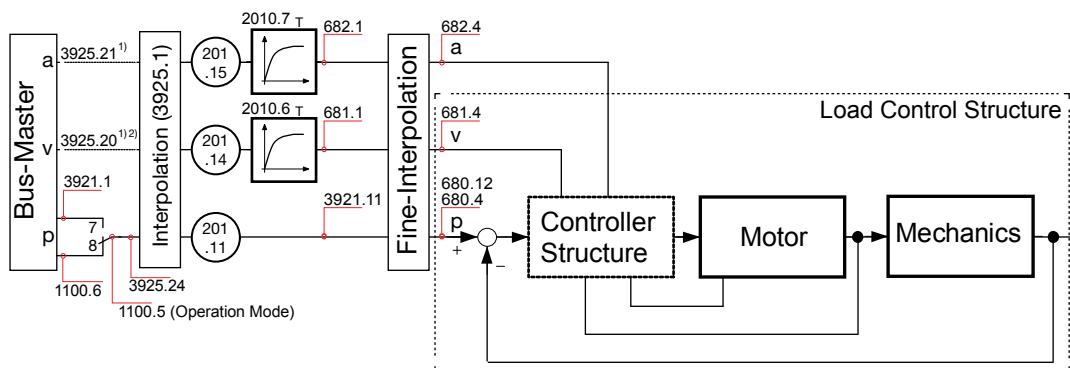
- ◆ **Advantage:** Good signal quality, as the position quantization does not influence the speed and acceleration setpoint values.
- ◆ **Disadvantages:** 2 process data must be transmitted.

**Example:**



**5.4.2.9 Structure image in the interpolation mode**

The structure image shows the signal paths for interpolation mode (Interpolated Position Mode and Cyclic Synchronous Position Mode) and activated load control.



- 1) Can only be switched on with Ethernet Powerlink and linear interpolation (0x60C0 = 0 or 0x60C0 = -1) in the interpolation module with o1141.10 Bit 0="1", otherwise, the speed and acceleration are determined in the interpolation module.
- 2) The transmitted speed is used for linear interpolation with speed setpoint value (0x60C0 = -4).

**Description of the objects** (see on page 322)

Detailed structure images:

- ◆ There are several structure variants for the "**controller structure** (see on page 204, see on page 209, see on page 211)".
- ◆ **Load Control Structure** (see on page 161).

#### 5.4.2.10 Synchronizations method

**Caution!** Simultaneous operation with HEDA slave is not possible!

Errors caused by bus cycle times different from the specified value are not reported!

Process data transmission takes also place with the synch pulse. A different data update is not permitted.

##### **Synchronizations method**

During the PLL synchronization, the system clock of the slave device is synchronized to the system clock of the master with the aid of a phase control loop. This ensures that all devices are running in the same time frame.

**Advantages:** Exact synchronization of the setpoint acceptance from the master, synchronized acquisition of the actual values

**Disadvantages:** Relatively high requirements for the periodicity of the sync-telegram, i.e. the jitter must be small. For interpolation with Compax3, the maximum permitted jitter is approx. 50µs.

If the master allows only a vague synchronization (high jitter), it is possible to use Compax3 as SYNC generator: use the CANopen communication parameter 1005.0 (for details please refer to the DS402 specifications).

#### 5.4.2.11 Controlword /Statusword

##### **In this chapter you can read about:**

Control word 1 (Controlword 1) 0x6040 (o1100.3) .....	308
Status word 1 (Status word).....	310

## Control word 1 (Controlword 1) 0x6040 (o1100.3)

1100.3 Operating mode BA CAN No. 0x6060 (object 1100.5)							
Bit	Direct Positioning (Profile Position)	Positioning with set selection (Position Record Select)	Velocity control (Profile Velocity) Setpoint value = 0x60FF (Object 1100.13)	Machine zero (Homing)	Manual operation (Jogging)	Interpolated Position <sup>2) 3)</sup> (ip-mode)	Cyclic Synchronous Position (csp-mode) <sup>2) 4)</sup>
	BA = "1"	BA = "-2"	BA = "3"	BA = "6"	BA = "-1"	BA = "7"	BA = "8"
0	="1": Switch on						
1	="1": Enable Voltage						
2	="0": Quick stop						
3	="1": Enable Operation						
4	="1": New set-point (Start)		Reserved	="1": Homing operation start (activate homing run)		="1": Enable ip mode	
5	="1": Change set immediately <sup>1)</sup> (dynamic Positioning (see on page 152))		Reserved	Reserved	="1": Jog- (Manual-)		
6	Mode 2 (see below)	Reserved	Reserved	Reserved	Reserved		
7	="1": Fault reset (Quit, with positive edge)						
8	="1": Halt (Stop without termination) (for Velocity and Gearing: Stop with termination)		="1": Halt (Stop without termination)		="1": Halt (Stop with termination)		="1": Halt (Stop with termination)
9	Reserved						
10	Reserved						
11	="0": Remote Control: Control word active, i.e. control CANopen ="1": Local Control: Control word inactive, i.e. the control word is not read; <b>direct control via inputs</b> (see on page 141) possible.						
12	Reserved	Reserved	Reserved				
13	Mode 1 (see below)	Reserved	Reserved				
14	="1": Endless (continuous operation) in normal operation (= "0") homing is required		Reserved				
15	Mode 0 (see below)	Reserved	Reserved				

1) With Bit 5 = "0" no dynamic change of record is possible - not even to a STOP record.

Only after the end of the record (position reached), the next record will be accepted.

**2) Operating mode is not supported with DeviceNet (I22).**

**3) Interpolated Position Mode (see on page 303)**

**4) Cyclic Synchronous Position (see on page 303)**

**Change operating mode:** When changing the operating mode (via Mode 0 ... 2) will trigger a "Stop", if the drive is still moving.  
Changing from "Profile Velocity" to another operating mode is only possible in currentless state.

#### Selection of the positioning mode in the "direct positioning" operating mode

Mode 0 CW.15	Mode1 CW.13	Mode2 CW.6	Function
0	0	0	<b>MoveAbs</b> (see on page 145): Absolute positioning
0	0	1	<b>MoveRel</b> (see on page 145): Relative positioning
0	1	0	<b>MoveAdd</b> (see on page 310): * Additive Positioning
0	1	1	<b>Velocity</b> (see on page 151): Speed control
1	0	0	<b>Gearing</b> (see on page 150): Electronic Gearbox
1	0	1	<b>RegMove</b> (see on page 146): Reg-related positioning
1	1	0	<b>RegSearch</b> (see on page 146): Reg-related positioning
1	1	1	Reserved

The **setpoint specification** is made via target position Y4 (0x2044 / 0x607A, object 1100.6)

#### \* Relative; Example

- ◆ Positioning mode: absolute
- ◆ Target position = 1000
- ◆ Positioning mode: relative
- ◆ Command: Target position = 200 for actual position 500
- ◆ Drive travels to 700

#### Additive; example

- ◆ Positioning mode: absolute
- ◆ Target position = 1000
- ◆ Positioning mode: additive
- ◆ Command: Target position = 200 for actual position arbitrary
- ◆ Drive travels to 1200

#### Control word 2

In the "Positioning with set selection" operating mode, the address of the motion set is specified via control word 2

Bit	Description
0	Address 0 for set selection
1	Address 1 for set selection
2	Address 2 for set selection
3	Address 3 for set selection
4	Address 4 for set selection
5 ... 15	factory use

### Status word 1 (Status word)

Operating mode BA CAN No. 0x6060 (object 1100.5).							
Bit	Direct Positioning (Profile Position)	Positioning with set selection (Position Record Select)	Velocity Control (Profile Velocity)	Machine zero (Homing)	Manual operation (Jogging)	Interpolated Position 2) (ip-mode)	Cyclic Synchronous Position (csp-mode) 2)
	BA = "1"	BA = "-2"	BA = "3"	BA = "6"	BA = "-1"	BA = "7"	BA = "8"
0	="1": Ready to switch on						
1	="1": Switched on						
2	="1": Operation enable						
3	="1": Fault (Compax3 reports error)						
4	="0": Voltage enable						
5	="0": Quick stop						
6	="1": Switch on disable						
7	factory use						
8	="1": Speed=0 (drive motionless)						
9	="1": Remote (parameters can be changed via CANopen)						
10	="1": Target reached (corresponds to Position / Speed / Gearing reached)						0
11	="1": Internal limit active						
12	="1": Setpoint acknowledge (new setpoint value is accepted)	="1": Speed=0		="1": Homing attained (referenced)	0	="1": ip mode active	"0": Target ignore "1": Target accepted
13	="1": Following error	0	="1": Homing error		0	-	="1": Following error
14	0	0	0	0	0		
15	="1": Registration found (Registration mark detected)		0	0	0		

2) Operating mode "interpolated" is not supported with DeviceNet.

### Status word 2

Status word 2 in the "Positioning with set selection" operating mode contains the selected set number as well as the PSBs.

Bit	Description
0	Address 0 of the current set
1	Address 1 of the current set
2	Address 2 of the current set
3	Address 3 of the current set
4	Address 4 of the current set
5 ... 11	factory use
12	Programmable status bit 0 (PSB0)
13	Programmable status bit 1 (PSB1)
14	Programmable status bit 2 (PSB2)
15	factory use

#### 5.4.2.12 Error Reaction on Bus Failure

Here you can set how Compax3 shall respond to a react on a **Bus error** (see on page 338):

Possible settings for the error reaction are:

- ◆ No response
- ◆ Downramp / stop
- ◆ Downramp / stromlos schalten (standard settings)

### 5.4.3. Baud rate

Selecting the Baud rate.

Bear in mind that the maximum cable length depends on the Baud rate:

Baud rate	Maximum length
1Mbit/s	25m
800kbit/s	50m
500kbit/s	100 m
250kbit/s	250m
125kbit/s	500m
100kbit/s	700m
50kbit/s	1000m
20kbit/s	2500m

### 5.4.4. Transmission cycle time

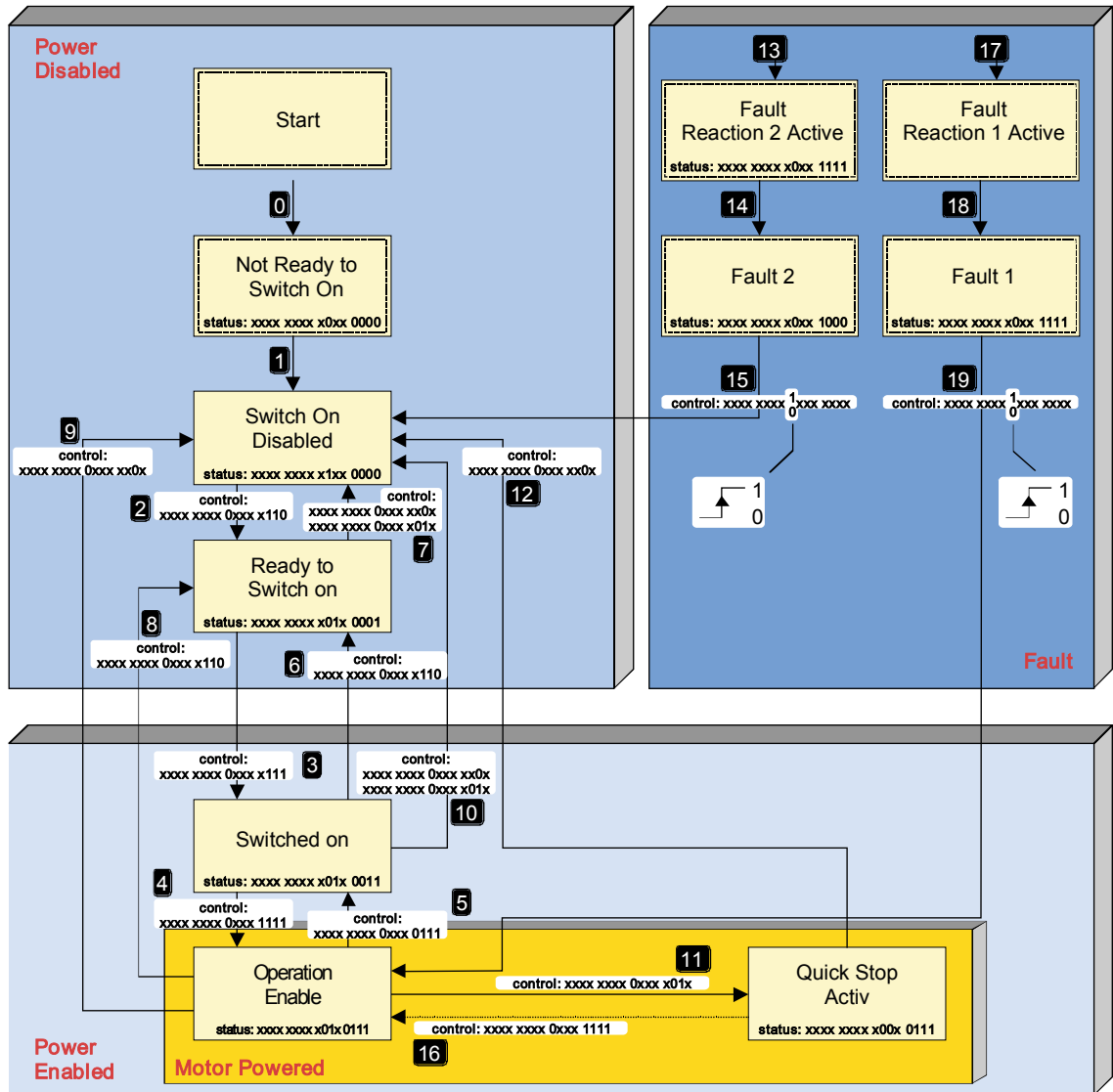
For the TPDOs a transmission cycle time can be set in each case.

This time specifies the time intervals at which Compax3 applies the cyclic data new to the respective PDO.

The minimum value is thereby 1ms.



### 5.4.5. State machine



0, 1, 2, ... : Status transitions

Transition 8: Other than with the DS402, "Downramp takes place with STOP ramp" (0x605B=1)!

**Status values:**

Designation	Explanation
Not Ready to Switch On	Control voltage switched on Initialization Brake closed Not ready to turn on
Switch On Disable	Initialization completed Parameter values can be changed Power supply voltage switched off Travel commands not possible
Ready to Switch on	Power supply voltage can be switched on Parameter values can be changed Travel commands not possible
Switched on	Power supply voltage switched on Parameter values can be changed Travel commands not possible Motor de-energized
Operation enable	Motor powered Compax3 is ready for carrying out travel commands Parameter values can be changed
Quick Stop active	The "Quick Stop" function has been executed Motor powered Parameter values can be changed
Fault reaction 1 active	A fault has occurred The motor is stopped with the ERROR_decel and ERROR_jerk ramp and remains energized. Parameter values can be changed
Fault 1	Error state, motor energized, error can be read Travel commands not possible Parameter values can be changed A positive flank is expected at FAULT RESET
Fault reaction 2 active	A fault has occurred The motor is stopped with the ERROR_decel and ERROR_jerk ramp and is deenergized at standstill. Parameter values can be changed
Fault 2	Error state, motor deenergized, error can be read Travel commands not possible Parameter values can be changed A positive flank is expected at FAULT RESET

**Function of the device status LEDs (see on page 28)**

**Transitions:**

For various transitions, for which Compax3 leaves the status "Operation Enable" (travel commands may be active), various ramps can be set. That is:

Transition	associated ramp objects
5, 11	STOP_decel (Object 1113.1), STOP_jerk ((Object 1113.2)
8	Standard value different from DS402! Compax3 Standard value = Downramp with STOP ramp (0x605B=1) FSTOP1_decel (Object 1116.1), FSTOP1_jerk (Object 1116.2)
9	FSTOP3_decel (Object 1118.1), FSTOP3_jerk (Object 1118.2)
13.17	ERROR_decel (Object 1125.1), ERROR_jerk (Object 1125.2)

## 5.4.6. Acyclic parameter channel

### In this chapter you can read about:

Service Data Objects (SDO) .....	315
Object Up-/Download via CANopen .....	316

### 5.4.6.1 Service Data Objects (SDO)

Asynchronous access to the object directory of Compax3 is implemented with the help of the SDOs. The SDOs serve for parameter configuration and status interrogation. Access to an individual object takes place via the CANopen index and subindex of the object directory.

#### **Attention!**

**A SDO is a confirmed service, therefore the SDO reply telegram must always be awaited before a new telegram may be transmitted.**

### **CiA405\_SDO\_Error (Abort Code): UDINT**

In the case of an incorrect SDO transmission, the error cause is returned via the "abort code".

<b>Abort Code</b>	<b>Description</b>
0x0503 0000	"Toggle Bit" was not alternated
0x0504 0000	SDO Protocol "time out"
0x0504 0001	Client/server command designator invalid or unknown
0x0504 0002	Unknown block size (block mode only)
0x0504 0003	Unknown block number (block mode only)
0x0504 0004	CRC error (block mode only)
0x0504 0005	Outside of memory
0x0601 0000	Access to this object is not supported
0x0601 0001	Attempted read access to a write only object
0x0601 0002	Attempted write access to a read only object
0x0602 0000	The object does not exist in the object directory
0x0604 0041	Object cannot be mapped in a PDO
0x0604 0042	Size and number of "mapped" objects exceeds max. PDO length
0x0604 0043	General parameter incompatibility
0x0604 0047	General incompatibility in the device
0x0606 0000	Access infringement due to a hardware error
0x0607 0010	Data type does not fit, length of the service parameter does not fit
0x0607 0012	Data type does not fit, length of the service parameter too large
0x0607 0013	Data type does not fit, length of the service parameter too small
0x0609 0011	Subindex does not exist
0x0609 0030	Outside parameter value range (only for write access operations)
0x0609 0031	Parameter value too large
0x0609 0032	Parameter value too small
0x0609 0036	Maximum value smaller than minimum value
0x0800 0000	General error
0x0800 0020	Date cannot be transmitted or saved
0x0800 0021	Date cannot be transmitted or saved due to local device management
0x0800 0022	Date cannot be transmitted or stored due to device status
0x0800 0023	Dynamic generation of the object directory is impossible or no object directory exists (the object directory is created from a file and an error occurs due to a defective file)

### 5.4.6.2 Object Up-/Download via CANopen

The up-/download takes place via the CANopen objects C3\_Request (Index 0x2200) and C3\_Response (Index 0x2201). These have the data type octet string with a length of 20 bytes (octets). Write/read of a C3 object is carried out by writing of C3\_Request with the corresponding data. When a C3 object is read, the data appear in the C3\_Response object .

#### Meaning of the data from C3\_Request

Byte 1	Octet 2	Octet 3	Octet 4	Octet 5	Octet 6	...	...	Octet 19	Octet 20		
Request header				C3 object data (write)							
AK	Subindex	Index		D1	D2	...	...	D15	D16		

AK: Job identifier; 3=read, 4= write

OD1..OD16: Object data; OD1 = High, OD16 = Low

#### Meaning of the data from C3\_Response

Byte 1	Octet 2	Octet 3	Octet 4	Octet 5	Octet 6	...	...	Octet 19	Octet 20		
Reply header				C3 object data (read)							
-	-	-	-	OD1	OD2	...	...	OD15	OD16		

OD1..OD16: Object data; OD1 = High, OD16 = Low

#### Upload

CANopen	O 1	O 2	O 3	O 4	O 5	O 6	O 7	O 8	...	O 20	
Access	Object	C3 object request/reply				C3 object data					
1. Write C3 object 20.2 with the value 0											
Write	0x2200.0	4	2	0	20	0	0	0	x	...	x
2. read next C3 object index/subindex in C3 object 20.5											
Write	0x2200.0	3	5	0	20	x	x	x	x	...	x
Read	0x2201.0	x	x	x	x	I_hi	I_lo	Subi	x	...	x
3. read the C3 object with the in index/subindex read in the C3 object 20.5											
Write	0x2200.0	3	Subi	I_hi	I_lo	x	x	x	x	...	x
Read	0x2201.0	x	x	x	x	D1	D2	D3	D4	...	D16
4. Store C3 object index, subindex and data D1...D16 in table											
5. Repeat steps 2 to 4 until I_hi = I_lo = Subi = 0xFF											

#### Download: Write the entire table of C3 objects.

CANopen	O 1	O 2	O 3	O 4	O 5	O 6	O 7	O 8	...	O 20	
Access	Object	C3 object request/reply				C3 object data					
1. Write C3 object from the table											
Write	0x2200.0	4	Subi	I_hi	I_lo	D1	D2	D3	D4	...	D16
2. Repeat step 1 until the end of the table											

### 5.4.7. CANopen communication profile

The CANopen communication objects described in this chapter are either set to sensible standard values or they are set under menu control with the help of the ServoManager.

The communication objects described below must be modified only for special deviating settings.

- ◆ CAN is an open system which has been standardized in the ISO 11898 and OSI reference model ISO 7498.
- ◆ CAN is Multi-Master compatible.
- ◆ Data transmission takes place with up to 8 Bytes useful data.
- ◆ The CAN objects are designated with an 11 Bit identifier (ID or COB-ID: CAN Object identifier). The identifier specifies the priority of the objects (the smaller the value of the object ID is, the higher is the priority level of the object).
- ◆ The COB-ID consists of the function code and the node ID:

#### Structure of the COB-ID

Bit 10	9	8	7	6	5	4	3	2	1	0
Function code				NodeID (1 ... 127)						

NodeID: The Compax3 device address is used here as standard value

#### CANopen ratings

<b>Profile</b>	◆ Motion Control CiADS402
<b>Baud rate [kBit/s]</b>	◆ 20, 50, 100, 125, 250, 500, 800, 1000
<b>EDS file</b>	◆ C3.EDS
<b>Service data object</b>	◆ SDO1
<b>Process data objects</b>	◆ PDO1 ◆ PDO2
<b>Synchronicity precision of the SYNC telegram</b>	◆ maximum jitter: +/-25µs ◆ Typical cycle times: >= 1ms
<b>Deviations from the CANopen Device Profile DSP402</b>	◆ For the velocity mode profile the setpoint acceleration is also applicable when braking. ◆ Only one rotation speed is possible for machine zero run start (objects 0x6099.1 and .2 are the same).

### 5.4.7.1 Object types

The following table shows the preset COB-IDs:

Communication object type	Function code	COB - Identifier (dec)	COB - Identifier (hex)	Defined in Index...	Description	
<b>Broadcast objects</b>						
NMT	0000b	0	0h	-	Network management and identifier assignment	
SYNC	0001b	128	80h	1005h	CANSYNC	
TIME	0010b	256	100h	1012h	TIME is not implemented in Compax3.	
<b>Point to point objects</b>						
EMCY	0001b	129-255	81h-FFh	1014h	Error messages	
T-PDO1	0011b	385-511	181h-1FFh	1800h	Assignment via Index 1A00h	Transmit process data object (Compax3) max. 8 Byte
T-PDO2	0101b	641-767	281h-2FFh	1801h	Assignment via Index 1A01h	
T-PDO3	0111b	897-1023	381h-3FFh	1802h	Assignment via Index 1A02h	
T-PDO4	1001b	1153-1279	481h-1279h	1803h	Assignment via Index 1A03h	
R-PDO1	0100b	513-639	201h-27Fh	1400h	Assignment via Index 1600h	Receive process data objects (Compax3) max. 8 Byte
R-PDO2	0110b	769-895	301h-37Fh	1401h	Assignment via Index 1601h	
R-PDO3	1000b	1025-1151	401h-47Fh	1402h	Assignment via Index 1602h	
R-PDO4	1010b	1281-1407	501h-57Fh	1403h	Assignment via Index 1603h	
T-SDO1	1011b	1409-1535	581h-5FFh	1200h	Transmit service data object 1	
T-SDO2	-*	-*	-	1201h	Transmit service data object 2	
R-SDO1	1100b	1537-1663	601h-67Fh	1200h	Receive service data object 1	
R-SDO2	-*	-*	-	1201h	Receive service data object 2	
Node guard	1110b	1793-1919	701h-77Fh	100Eh	Check bus subscribers.	

\* The SDO2 are not activated.

The standard value of the COB-ID for an object is calculated as follows: COB-ID = (Function code \* 128) + Device address

The standard values of the COB-IDs can be changed via communication objects via SDOs.

#### **Application of the communication object types**

#### **Transmission of real time data (faster transmission because higher priority)**

**T-PDO** Transmit process data object: Compax3 reply.

**R-PDO** Receive process data object: send to Compax3.

#### **Once only transmission, e. g. of parameters or program lines**

**T-SDO** Transmit service data object: Compax3 reply.

**R-SDO** Receive service data object: send to Compax3.

### 5.4.7.2 Communication objects

General note:

Every CAN object which is created as array (with subindex) contains the number of entries in subindex 0.

## CAN communication objects overview sorted according to CAN No.

CAN-No	Name	Bus format	Standard value	Minimum value	Maximum value	Access
0x1000	Device Type	Unsigned32	0x00020192	0x00000000	0xFFFFFFFF	const
0x1001	Error Register	Unsigned8	0x00	0x00	0xFF	ro
0x1005	COB-ID SYNC	Unsigned32	0x80000080	0x00000001	0xFFFFFFFF	rw
0x1006	Communication Cycle Period	Unsigned32	0x00000000	0x00000000	0xFFFFFFFF	rw
0x1007	Synchronous Window Length	Unsigned32	0x00000000	0x00000000	0xFFFFFFFF	rw
0x1008	Manufacturer Device Name	Visible_String	C3xxxxxxxxxxxxxxxxxx x			const
0x1009	Manufacturer Hardware Version	Visible_String	CTPxxxxxxxxLEIxxxx xxxx			const
0x100A	Manufacturer Software Version	Visible_String	V xxxxxxxxxxxxxxxxxxxx			const
0x100C	Guard Time	Unsigned16	0x0000	0x0	0xFFFF	rw
0x100D	Life Time Factor	Unsigned8	0x00	0x0	0xFF	rw
0x1014	COB-ID EMCY	Unsigned32	0x000000FF	0x00000001	0xFFFFFFFF	rw
0x1015	Inhibit Time Emergency	Unsigned16	0x0	0x0	0xFFFF	rw
0x1018	<b>Identity Object</b> (see on page 321)	-				
0x1018.1	Vendor Id	Unsigned32	0x0	0x0	0xFFFFFFFF	ro
0x1018.2	Product Code	Unsigned32	0x0	0x0	0xFFFFFFFF	ro
0x1018.3	Revision number	Unsigned32	0x0	0x0	0xFFFFFFFF	ro
0x1018.4	Serial number	Unsigned32	0x0	0x0	0xFFFFFFFF	ro
0x1200	Server SDO1 Parameter	-				
0x1200.1	SDO1: COB-ID Client -> Server	Unsigned32	0x0000067F	0x00000001	0xFFFFFFFF	ro
0x1200.2	SDO1: COB-ID Server -> Client	Unsigned32	0x000005FF	0x00000001	0xFFFFFFFF	ro
0x1200.3	Node ID of the SDO1 client	Unsigned8	0x00	0x00	0xFF	rw
0x1201	Server SDO2 Parameter	-				
0x1201.1	SDO2: COB-ID Client -> Server	Unsigned32	0x800006E0	0x00000001	0xFFFFFFFF	rw
0x1201.2	SDO2: COB-ID Server -> Client	Unsigned32	0x800006E0	0x00000001	0xFFFFFFFF	rw
0x1201.3	Node ID of the SDO2 Client	Unsigned8	0x00	0x00	0xFF	rw
0x1400	Receive PDO1 communication parameters	-				
0x1400.1	RPDO1: COB-ID	Unsigned32	0x0000027F	0x00000001	0xFFFFFFFF	rw
0x1400.2	RPDO1: Transmission Type	Unsigned8	0xFE	0x00	0xFF	rw
0x1400.3	RPDO1: Inhibit Time	Unsigned16	0x0000	0x0000	0xFFFF	rw
0x1400.5	RPDO1: Event Timer	Unsigned16	0x0	0x0	0xFFFF	rw
0x1401	Receive PDO2 communication parameters	-				
0x1401.1	RPDO2: COB-ID	Unsigned32	0x0000037F	0x00000001	0xFFFFFFFF	rw
0x1401.2	RPDO2: Transmission Type	Unsigned8	0xFE	0x00	0xFF	rw
0x1401.3	RPDO2: Inhibit Time	Unsigned16	0x0000	0x0000	0xFFFF	rw
0x1401.5	RPDO2: Event Timer	Unsigned16	0x0	0x0	0xFFFF	rw
0x1402	Receive PDO3 communication parameter	-				
0x1402.1	RPDO3: COB-ID	Unsigned32	0x0000047f	0x0	0xFFFFFFFF	rw
0x1402.2	RPDO3: Transmission Type	Unsigned8	0xFE	0x0	0xFF	rw
0x1402.3	RPDO3: Inhibit Time	Unsigned16	0x0000	0x0	0xFFFF	rw
0x1402.5	RPDO3: Event Timer	Unsigned16	0x0	0x0	0xFFFF	rw
0x1403	Receive PDO4 communication parameter	-				
0x1403.1	RPDO4: COB-ID	Unsigned32	0x0000057f	0x0	0xFFFFFFFF	rw
0x1403.2	RPDO4: Transmission Type	Unsigned8	0xFE	0x0	0xFF	rw
0x1403.3	RPDO4: Inhibit Time	Unsigned16	0x0000	0x0	0xFFFF	rw
0x1403.5	RPDO4: Event Timer	Unsigned16	0x0	0x0	0xFFFF	rw
0x1600	Receive PDO1 mapping parameter	-				
0x1600.1	RPDO1 Mapping Entry 1	Unsigned32	0x00000000	0x00000000	0xFFFFFFFF	rw
0x1600.2	RPDO1 mapping entry 2	Unsigned32	0x00000000	0x00000000	0xFFFFFFFF	rw
0x1600.3	RPDO1 Mapping Entry 3	Unsigned32	0x00000000	0x00000000	0xFFFFFFFF	rw
0x1600.4	RPDO1 Mapping Entry 4	Unsigned32	0x00000000	0x00000000	0xFFFFFFFF	rw

CAN-No	Name	Bus format	Standard value	Minimum value	Maximum value	Access
0x1600.5	RPDO1 Mapping Entry 5	Unsigned32	0x00000000	0x00000000	0xFFFFFFFF	rw
0x1601	Receive PDO2 mapping parameter	-				
0x1601.1	RPDO2 mapping entry 1	Unsigned32	0x00000000	0x00000000	0xFFFFFFFF	rw
0x1601.2	RPDO2 Mapping Entry 2	Unsigned32	0x00000000	0x00000000	0xFFFFFFFF	rw
0x1601.3	RPDO2 Mapping Entry 3	Unsigned32	0x00000000	0x00000000	0xFFFFFFFF	rw
0x1601.4	RPDO2 Mapping Entry 4	Unsigned32	0x00000000	0x00000000	0xFFFFFFFF	rw
0x1601.5	RPDO2 Mapping Entry 5	Unsigned32	0x00000000	0x00000000	0xFFFFFFFF	rw
0x1602	Receive PDO3 mapping parameter	-				
0x1602.1	RPDO3 mapping entry 1	Unsigned32	0x00000000	0x0	0xFFFFFFFF	rw
0x1602.2	RPDO3 Mapping Entry 2	Unsigned32	0x00000000	0x0	0xFFFFFFFF	rw
0x1602.3	RPDO3 Mapping Entry 3	Unsigned32	0x00000000	0x0	0xFFFFFFFF	rw
0x1602.4	RPDO3 Mapping Entry 4	Unsigned32	0x00000000	0x0	0xFFFFFFFF	rw
0x1602.5	RPDO3 Mapping Entry 5	Unsigned32	0x00000000	0x0	0xFFFFFFFF	rw
0x1603	Receive PDO3 mapping parameter	-				
0x1603.1	RPDO4 mapping entry 1	Unsigned32	0x00000000	0x0	0xFFFFFFFF	rw
0x1603.2	RPDO4 Mapping Entry 2	Unsigned32	0x00000000	0x0	0xFFFFFFFF	rw
0x1603.3	RPDO4 Mapping Entry 3	Unsigned32	0x00000000	0x0	0xFFFFFFFF	rw
0x1603.4	RPDO4 Mapping Entry 4	Unsigned32	0x00000000	0x0	0xFFFFFFFF	rw
0x1603.5	RPDO4 Mapping Entry 5	Unsigned32	0x00000000	0x0	0xFFFFFFFF	rw
0x1800	Transmit PDO1 communication parameter	-				
0x1800.1	TPDO1: COB-ID	Unsigned32	0x00001FF	0x00000001	0xFFFFFFFF	rw
0x1800.2	TPDO1: Transmission Type	Unsigned8	0xFE	0x00	0xFF	rw
0x1800.3	TPDO1: Inhibit Time	Unsigned16	0x0000	0x0000	0xFFFF	rw
0x1800.5	TPDO1: Event Timer	Unsigned16	0x0	0x0	0xFFFF	rw
0x1801	Transmit PDO2 communication parameter	-				
0x1801.1	TPDO2: COB-ID	Unsigned32	0x00002FF	0x00000001	0xFFFFFFFF	rw
0x1801.2	TPDO2: Transmission Type	Unsigned8	0xFE	0x00	0xFF	rw
0x1801.3	TPDO2: Inhibit Time	Unsigned16	0x0000	0x0000	0xFFFF	rw
0x1801.5	TPDO2: Event Timer	Unsigned16	0x0	0x0	0xFFFF	rw
0x1802	Transmit PDO3 communication parameter	-				
0x1802.1	TPDO3: COB-ID	Unsigned32	0x00003ff	0x0	0xFFFFFFFF	rw
0x1802.2	TPDO3: Transmission Type	Unsigned8	0xFE	0x0	0xFF	rw
0x1802.3	TPDO3: Inhibit Time	Unsigned16	0x0000	0x0	0xFFFF	rw
0x1802.5	TPDO3: Event Timer	Unsigned16	0x0	0x0	0xFFFF	rw
0x1803	Transmit PDO4 communication parameter	-				
0x1803.1	TPDO4: COB-ID	Unsigned32	0x00004ff	0x0	0xFFFFFFFF	rw
0x1803.2	TPDO4: Transmission Type	Unsigned8	0xFE	0x0	0xFF	rw
0x1803.3	TPDO4: Inhibit Time	Unsigned16	0x0000	0x0	0xFFFF	rw
0x1803.5	TPDO4: Event Timer	Unsigned16	0x0	0x0	0xFFFF	rw
0x1A00	Transmit PDO1 mapping parameter	-				
0x1A00.1	TPDO1 mapping entry 1	Unsigned32	0x00000000	0x00000000	0xFFFFFFFF	rw
0x1A00.2	TPDO1 Mapping Entry 2	Unsigned32	0x00000000	0x00000000	0xFFFFFFFF	rw
0x1A00.3	TPDO1 Mapping Entry 3	Unsigned32	0x00000000	0x00000000	0xFFFFFFFF	rw
0x1A00.4	TPDO1 Mapping Entry 4	Unsigned32	0x00000000	0x00000000	0xFFFFFFFF	rw
0x1A00.5	TPDO1 Mapping Entry 5	Unsigned32	0x00000000	0x00000000	0xFFFFFFFF	rw
0x1A01	Transmit PDO2 mapping parameter	-				
0x1A01.1	TPDO2 mapping entry 1	Unsigned32	0x00000000	0x00000000	0xFFFFFFFF	rw
0x1A01.2	TPDO2 Mapping Entry 2	Unsigned32	0x00000000	0x00000000	0xFFFFFFFF	rw
0x1A01.3	TPDO2 Mapping Entry 3	Unsigned32	0x00000000	0x00000000	0xFFFFFFFF	rw
0x1A01.4	TPDO2 Mapping Entry 4	Unsigned32	0x00000000	0x00000000	0xFFFFFFFF	rw
0x1A01.5	TPDO2 Mapping Entry 5	Unsigned32	0x00000000	0x00000000	0xFFFFFFFF	rw
0x1A02	Transmit PDO3 mapping parameter	-				
0x1A02.1	TPDO3 mapping entry 1	Unsigned32	0x00000000	0x0	0xFFFFFFFF	rw
0x1A02.2	TPDO3 Mapping Entry 2	Unsigned32	0x00000000	0x0	0xFFFFFFFF	rw



CAN-No	Name	Bus format	Standard value	Minimum value	Maximum value	Access
0x1A02.3	TPDO3 Mapping Entry 3	Unsigned32	0x00000000	0x0	0xFFFFFFFF	rw
0x1A02.4	TPDO3 Mapping Entry 4	Unsigned32	0x00000000	0x0	0xFFFFFFFF	rw
0x1A02.5	TPDO3 Mapping Entry 5	Unsigned32	0x00000000	0x0	0xFFFFFFFF	rw
0x1A03	Transmit PDO4 mapping parameter	-				
0x1A03.1	TPDO4 mapping entry 1	Unsigned32	0x00000000	0x0	0xFFFFFFFF	rw
0x1A03.2	TPDO4 Mapping Entry 2	Unsigned32	0x00000000	0x0	0xFFFFFFFF	rw
0x1A03.3	TPDO4 Mapping Entry 3	Unsigned32	0x00000000	0x0	0xFFFFFFFF	rw
0x1A03.4	TPDO4 Mapping Entry 4	Unsigned32	0x00000000	0x0	0xFFFFFFFF	rw
0x1A03.5	TPDO4 Mapping Entry 5	Unsigned32	0x00000000	0x0	0xFFFFFFFF	rw

### **Identity Object (0x1018)**

This object is composed as follows:

#### **Vendor-ID (0x1018.1)**

Is stored in the FBI-EEPROM binarily from addr. 56...59 (low...high). Current value = 0x02000089.

#### **Product-Code (0x1018.2)**

Is composed of the part of the order code "Faa lbb Tcc Mdd" to 0xaabbccdd, i.e. the device with the order code C3S025V2F10I21T40M11 has the product code 0x10214011.

The product code is hex coded, but can be read decimally.

#### **Revision number (0x1018.3)**

Is composed of 5 digits of the software version no. of the DSP software and 3 digits of the SV no. of the FBI software, i.e. the device with the DSP SV no. 01.08.02 and the FBI SV no. 1.21 has the revision no. 0x10802121.

#### **Serial number (0x1018.4)**

Is stored in the CTP-EEPROM as a 10 digit ASCII string from addr. 56...65 (series number of the device). A C3 with the series number 1423440001 has the serial number 0x54D7F881.

### **Communication objects**

The description of the CANopen communication objects can be found in the corresponding help file.

# 6. CANopen objects

## In this chapter you can read about:

Bus objects sorted by bus number .....	323
Standardized and manufacturer-specific objects sorted according to object number .....	327
Detailed object list .....	334
Data formats of the bus objects .....	334

**Set objects to valid** Please note that certain objects are not valid (read by Compax3) immediately after a change. This is described in the heading "Valid after".  
These objects are converted to internal variables by Compax3 with the command "Set objects to valid".

**Save objects permanently** It should also be noted that modified objects are not permanently stored, i.e. the changes are lost after the power (24 VDC) is turned off.  
The object "save objects permanently" can be used to save objects in a flash memory so that they are retained even if the power fails.

## 6.1 Bus objects sorted by bus number

No.	Object name	Object	Bus_No	Bus Format	Valid beginning
820.8	CANopen_ComCyclePeriod	Sync bus cycle time CANSync, Powerlink, EtherCat	0x1006, 0x60C2	U32	immediately
1130.7	HOMING_edge_sensor_distance	Initiator adjustment	0x2000	C4_3	immediately
1113.2	STOP_jerk	Jerk for STOP	0x2001	U32	immediately
1116.1	FSTOP1_decel	Deceleration for FSTOP1	0x2002	U32	immediately
1116.2	FSTOP1_jerk	Jerk for FSTOP1	0x2003	U32	immediately
1118.2	FSTOP3_jerk	Jerk for FSTOP3	0x2004	U32	immediately
1111.5	POSITION_jerk_accel	Acceleration jerk for positioning	0x2005	U32	immediately
1111.6	POSITION_jerk_decel	Deceleration jerk for positioning	0x2006	U32	immediately
1128.1	JOG_accel	Acceleration for Manual +/-	0x2007	U32	immediately
1128.3	JOG_speed	Speed for Manual +/-	0x2008	C4_3	immediately
402.1	Limit_SpeedPositive	Maximum permissible positive speed	0x2009	I16	VP
402.2	Limit_SpeedNegative	Maximum permissible negative speed	0x200A	I16	VP
402.3	Limit_CurrentPositive	Maximum permissible positive current	0x200B	I16	VP
402.4	Limit_CurrentNegative	Maximum permissible negative current	0x200C	I16	VP
1118.1	FSTOP3_decel	Deceleration for FSTOP3	0x200D	U32	immediately
682.4	StatusAccel_DemandValue	Status demand acceleration	0x200E	I32	-
685.1	StatusVoltage_AuxiliaryVoltage	Status of auxiliary voltage	0x200F	E2_6	-
1128.2	JOG_jerk	Jerk for Manual +/-	0x2010	U32	immediately
683.2	StatusDevice_ActualDeviceLoad	Status of device load	0x2011	E2_6	-
683.3	StatusDevice_ActualMotorLoad	Status of long-term motor load	0x2012	E2_6	-
684.2	StatusTemperature_Motor	Status of motor temperature	0x2013	I16	-
684.1	StatusTemperature_PowerStage	Status of power output stage temperature	0x2014	U16	-
1125.2	ERROR_jerk	Jerk upon Error	0x2015	U32	immediately
210.10	ValidParameter_Global	Set objects to valid	0x2016.10	U16	immediately
20.1	ObjectDir_Objekts-->FLASH	Store objects permanently (bus)	0x2017	I16	immediately
1125.1	ERROR_decel	Deceleration upon error	0x2018	U32	immediately
634.4	AnalogOutput0_DemandValue	Setpoint for analog output 0	0x2019	I16	immediately
635.4	AnalogOutput1_DemandValue	Setpoint for analog output 1	0x201A	I16	immediately
1100.4	DeviceControl_Controlword_2	Control word 2	0x201B	V2	immediately
1000.4	DeviceState_Statusword_2	Status word 2	0x201C	V2	immediately
200.1	NormFactorY2_Speed	Normalization factor for Y2 speeds	0x2020.1	V2	immediately
200.3	NormFactorY2_Voltage	Normalization factor for Y2 voltages	0x2020.3	V2	immediately
200.7	NormFactorY2_ActualValue3	Normalization factor for 1000.8	0x2020.7	V2	immediately
201.11	NormFactorY4_FBI_SignalProcessing_Position	Normalization factor for bus interpolation CANSync/EthernetPowerLink	0x2021.11	V2	immediately

No.	Object name	Object	Bus_No	Bus Format	Valid beginning
201.12	NormFactorY4_DemandValue8	Normalization factor for 1100.13	0x2021.12	V2	immediately
201.14	NormFactorY4_FBI_SignalProcessing_Speed	Normalization factor for 3925.20	0x2021.14	V2	immediately
201.15	NormFactorY4_FBI_SignalProcessing_Accel	Normalization factor for 3925.21	0x2021.14	V2	immediately
201.2	NormFactorY4_Position	Scaling factor for Y4 positions	0x2021.2	V2	immediately
201.5	NormFactorY4_DemandValue1	Normalization factor for 1100.6	0x2021.5	V2	immediately
201.6	NormFactorY4_DemandValue2	Normalization factor for 1100.7	0x2021.6	V2	immediately
680.8	StatusPosition_Actual_Y4	Status position actual value in the bus format Y4	0x2022/0x6064	I32	-
681.7	StatusSpeed_ActualFiltered_Y2	Status of the actual filtered speed in the Y2 format	0x2023	Y2	-
685.3	StatusVoltage_AnalogInput0	Status of analog input 0	0x2025	Y2	-
685.4	StatusVoltage_AnalogInput1	Status of analog input 1	0x2026	Y2	-
681.6	StatusSpeed_Error	Status control deviation of speed	0x2027	C4_3	-
1100.6	DeviceControl_DemandValue1	Device demand value A	0x202A/0x2044/0x607A	Y4	immediately
1100.7	DeviceControl_DemandValue2	Device demand value D	0x202B/0x2046/0x6081	Y4	immediately
1100.14	DeviceControl_DemandValue2_Y2	Device demand value	0x202C/0x2068	Y2	immediately
1111.10	POSITION_accel_U16	Acceleration for positioning in U16 Format	0x202D	U16	immediately
3921.1	FBI_SignalProcessing0_Input_Y4	Interpolation input CanSync, PowerLink	0x2050/0x60C1.1	I32	immediately
3921.2	FBI_SignalProcessing0_ResetDistance	Upper modulo limit CANSYNC, Powerlink, EtherCAT in Mrev	0x2051	I32	immediately
1111.16	POSITION_decel_U16	Deceleration for Positioning in U16 Format	0x205D	U16	immediately
820.24	CANopen_SyncMode	Configuration of the bus synchronization process	0x205E	I16	immediately
2201.1	LoadControl_Enable	Activate load control	0x205F	I16	immediately
3300.8	TouchProbe_IgnoreZone_Start	Beginning of the ignore zone	0x2066	C4_3	immediately
3300.9	TouchProbe_IgnoreZone_End	End of the ignore zone	0x2067	C4_3	immediately
1100.13	DeviceControl_DemandValue8	Setpoint value	0x206A/0x60FF	Y4	immediately
402.6	Limit_CurrentFine	Factor for the current limits	0x2093	I16	immediately
683.8	StatusDevice_MotorCurrent	Motor current in per thousand of the actual current limit	0x2094	I16	-
2020.1	ExternalSignal_Position	Position from external signal source	0x2095.1	C4_3	-
680.32	StatusPosition_EncoderIncrements5V	Encoder position 0 (5V) in increments	0x2095.3	I32	immediately
2110.1	TrackingfilterSG1_TRFSpeed	Time constant tracking filter setpoint encoder	0x2096	I16	VP
1141.10	GEAR_FFW_mode	Control bits for feedforward with source CanSync/EthernetPowerLink/EtherCat	0x2097	U16	immediately
3925.20	FBI_Interpolation_VelocityInput	Velocity specification GEARING CanSync/EthernetPowerLink/EtherCat	0x2098	I32	immediately
3925.21	FBI_Interpolation_AccelInput	Acceleration specification GEARING CanSync/EthernetPowerLink/EtherCat	0x2099	I32	immediately
1.21	Device_FirmwareRelease	Version of firmware package	0x20FF	I32	immediately
2100.2	ControllerTuning_Stiffness	Stiffness (speed controller)	0x2100.2/0x2100.1	U16	VP
2100.3	ControllerTuning_Damping	Damping (rotation speed controller)	0x2100.3	U16	VP
2100.4	ControllerTuning_Inertia	Moment of Inertia	0x2100.4	U16	VP
2100.5	ControllerTuning_FilterSpeed	Filter - Actual velocity	0x2100.5	U16	VP

No.	Object name	Object	Bus_No	Bus Format	Valid beginning
2100.6	ControllerTuning_FilterAccel	Filter - Actual acceleration	0x2100.6	U16	VP
2100.7	ControllerTuning_SpeedDFactor	D-component of speed controller	0x2100.7	U16	VP
2100.8	ControllerTuning_CurrentBandwidth	Current regulator bandwidth	0x2100.8	U16	VP
2100.9	ControllerTuning_CurrentDamping	Current loop - Damping	0x2100.9	U16	VP
2010.1	FeedForward_Speed	Velocity Feed Forward	0x2101.1	U16	VP
2010.2	FeedForward_Accel	Acceleration feed-forward	0x2101.2	U16	VP
2010.4	FeedForward_Current	Current feed-forward	0x2101.4	U16	VP
2010.5	FeedForward_Jerk	Jerk feed-forward	0x2101.5	U16	VP
2011.1	FeedForwardExternal_FilterSpeed	External Speed Feed Forward Filter Time Constant	0x2102.1	U16	VP
2011.2	FeedForwardExternal_FilterAccel	External Acceleration Feed Forward Filter Time Constant	0x2102.2	U16	VP
3921.3	FBI_SignalProcessing0_ResetDistanceLow	Lower modulo limit CanSync, PowerLink, EtherCat in Mrev	0x2103.1	I32	immediately
3921.9	FBI_SignalProcessing0_ResetDistance_Incr	Modulo limit CanSync, PowerLink, EtherCat in Fbincr	0x2103.1	I32	immediately
3921.10	FBI_SignalProcessing0_ResetDistanceLow_Incr	Lower modulo limit CanSync, PowerLink, EtherCat in Fbincr	0x2103.2	I32	immediately
680.5	StatusPosition_Actual	Status actual position	0x2104	C4_3	-
681.26	StatusSpeed_Actual_rpm_mps	Status of actual speed filtered in 1/min or m/s	0x2105	C4_3	-
1900.1	Pointer_Row	Pointer to table row	0x2300	U16	immediately
1901.1	Col01_Row01	variable Column 1 Row 1	0x2301.1	Y4	immediately
1902.1	Col02_Row01	variable Column 2 Row 1	0x2302.1	Y2	immediately
1903.1	Col03_Row01	variable Column 3 Row 1	0x2303.1	I16	immediately
1904.1	Col04_Row01	variable Column 4 Row 1	0x2304.1	I16	immediately
1905.1	Col05_Row01	variable Column 5 Row 1	0x2305.1	I16	immediately
1906.1	Col06_Row01	variable Column 6 Row 1	0x2306.1	I32	immediately
1907.1	Col07_Row01	variable Column 7 Row 1	0x2307.1	I32	immediately
1908.1	Col08_Row01	variable Column 8 Row 1	0x2308.1	I32	immediately
1909.1	Col09_Row01	variable Column 9 Row 1	0x2309.1	I32	immediately
1910.1	Indirect_Col01	Indirect table access Column 1	0x2311	Y4	immediately
550.1	ErrorHistory_LastError	Current error (n)	0x603F/0x201D.1	U16	-
1100.3	DeviceControl_Controlword_1	Control word CW	0x6040	V2	immediately
1000.3	DeviceState_Statusword_1	Status word SW	0x6041	V2	immediately
1100.20	DeviceControl_QuickStopMode	Quick Stop operating mode	0x605A	I16	immediately
1116.3	FSTOP1_mode	Operating mode switch for CiA DS402 transition 8	0x605B	I16	immediately
1123.3	OperationDisable_mode	Operating mode switch for CiA DS402 transition 5	0x605C	I16	immediately
1100.5	DeviceControl_OperationMode	Operating mode	0x6060	I16	immediately
1000.5	DeviceState_ActualOperationMode	Operating mode display	0x6061	I16	immediately
420.2	PositioningAccuracy_FollowingErrorWindow	Following error limit	0x6065	C4_3	VP
420.3	PositioningAccuracy_FollowingErrorTimeout	Following Error Time	0x6066	U16	immediately
420.1	PositioningAccuracy_Window	Positioning window for position reached	0x6067	C4_3	VP

No.	Object name	Object	Bus_No	Bus Format	Valid beginning
420.7	PositioningAccuracy_WindowTime	In Position Window Time	0x6068	U16	immediately
681.5	StatusSpeed_Actual	Status actual speed unfiltered	0x6069	C4_3	-
681.4	StatusSpeed_DemandValue	Status demand speed of setpoint generator	0x606B	C4_3	-
681.9	StatusSpeed_ActualFiltered	Status actual speed filtered	0x606C	C4_3	-
683.1	StatusDevice_ActualCurrent	Status of actual current value	0x6077	E2_6	-
685.5	StatusVoltage_BusVoltage_C4_3	DC bus voltage unfiltered	0x6079	C4_3	-
1130.5	HOMING_home_offset	Machine Zero Offset	0x607C	C4_3	immediately
410.3	LimitPosition_Negative	negative end limit	0x607D.1	C4_3	immediately
410.2	LimitPosition_Positive	positive end limit	0x607D.2	C4_3	immediately
1111.3	POSITION_accel	Acceleration for positioning	0x6083	U32	immediately
1127.1	SPEED_accel	Acceleration / deceleration in speed control operating mode	0x6083	U32	immediately
1111.4	POSITION_decel	Deceleration for positioning	0x6084	U32	immediately
1113.1	STOP_decel	Deceleration for STOP	0x6085	U32	immediately
1130.4	HOMING_mode	Adjusting the machine reference mode	0x6098	U16	immediately
1130.3	HOMING_speed	Speed for machine reference run	0x6099.1	C4_3	immediately
1130.1	HOMING_accel	Acceleration / deceleration MN (homing) run	0x609A	U32	immediately
3925.1	FBI_Interpolation_SubModeSelect	Interpolation method	0x60C0	I16	immediately
680.6	StatusPosition_FollowingError	Status of tracking error	0x60F4	C4_3	-
680.4	StatusPosition_DemandValue	Status demand position	0x60FC	C4_3	-
120.3	DigitalInput_DebouncedValue	Status of digital inputs	0x6100.1	V2	-
121.2	DigitalInputAddition_Value	Input word of I/O option	0x6100.2	V2	-
133.3	DigitalOutputAddition_Value	Output word for I/O option	0x6300.2	V2	immediately

## 6.2 Standardized and manufacturer-specific objects sorted according to object number

No.	Object name	Object	Bus_No	Bus Format	Valid beginning
1.21	Device_FirmwareRelease	Version of firmware package	0x20FF	I32	immediately
20.1	ObjectDir_Objects-->FLASH	Store objects permanently (bus)	0x2017	I16	immediately
84.2	DeviceSupervision_ThisDevice	Device number in the C3M combination		U16	-
84.3	DeviceSupervision_DeviceCounter	Number of devices in the C3M combination		U16	-
84.4	DeviceSupervision_DeviceAdr	Current RS485 address of the C3M		U16	-
84.5	DeviceSupervision_OperatingTime	Hours of operation of the PSUP in s		U32	-
85.1	Diagnostics_DeviceState	PSUP operating state		V2	-
85.2	Diagnostics_DCbus_Voltage	PSUP DC intermediate voltage		I16	-
85.3	Diagnostics_DCbus_Current	PSUP intermediate current		I16	-
85.4	Diagnostics_TemperatureHeatSink	PSUP heat dissipator temperature		I16	-
85.5	Diagnostics_RectifierLoad	PSUP usage in %		I16	-
85.7	Diagnostics_ChopperOn_Voltage	Chopper Switch-on threshold in V		I16	-
85.8	Diagnostics_ChopperOff_Voltage	Chopper Switch-off threshold in V		I16	-
85.9	Diagnostics_DCbus_VoltageMax	Reduced DC bus voltage in V		I16	-
86.1	ErrorHistoryPointer_LastEntry	Pointer to current error		U16	-
87.1	ErrorHistoryNumber_1	Error 1		U16	-
88.1	ErrorHistoryTime_1	Error point in time 1		U32	-
110.1	Switch_DeviceFunction	Value of the function switch on C3M		U16	-
120.2	DigitalInput_Value	Status of digital inputs		V2	-
120.3	DigitalInput_DebouncedValue	Status of digital inputs	0x6100.1	V2	-
121.2	DigitalInputAddition_Value	Input word of I/O option	0x6100.2	V2	-
133.3	DigitalOutputAddition_Value	Output word for I/O option	0x6300.2	V2	immediately
170.2	AnalogInput0_Gain	Gain analog input 0		C4_3	VP
170.3	AnalogInput0_FilterCoefficient	Filter of analog input 0		I16	VP
170.4	AnalogInput0_Offset	Analog input Offset 0		I16	immediately
171.2	AnalogInput1_Gain	Gain analog input 1		C4_3	VP
171.3	AnalogInput1_FilterCoefficient	Filter of analog input 1		I16	VP
171.4	AnalogInput1_Offset	Analog input offset 1		I16	immediately
200.1	NormFactorY2_Speed	Normalization factor for Y2 speeds	0x2020.1	V2	immediately
200.3	NormFactorY2_Voltage	Normalization factor for Y2 voltages	0x2020.3	V2	immediately
200.7	NormFactorY2_ActualValue3	Normalization factor for 1000.8	0x2020.7	V2	immediately
201.2	NormFactorY4_Position	Scaling factor for Y4 positions	0x2021.2	V2	immediately
201.5	NormFactorY4_DemandValue1	Normalization factor for 1100.6	0x2021.5	V2	immediately
201.6	NormFactorY4_DemandValue2	Normalization factor for 1100.7	0x2021.6	V2	immediately
201.11	NormFactorY4_FBI_SignalProcessing_Position	Normalization factor for bus interpolation CANSync/EthernetPowerLink	0x2021.11	V2	immediately
201.12	NormFactorY4_DemandValue8	Normalization factor for 1100.13	0x2021.12	V2	immediately
201.14	NormFactorY4_FBI_SignalProcessing_Speed	Normalization factor for 3925.20	0x2021.14	V2	immediately
201.15	NormFactorY4_FBI_SignalProcessing_Accel	Normalization factor for 3925.21	0x2021.14	V2	immediately
210.10	ValidParameter_Global	Set objects to valid	0x2016.10	U16	immediately

No.	Object name	Object	Bus_No	Bus Format	Valid beginning
295.10	SSI_Feedback_X11_Incr_Position	SSI feedback position (Increments)		I32	-
295.12	SSI_Feedback_X11_Position	Baud rate of the SSI transmission in kHz (kBAud)		I32	-
402.1	Limit_SpeedPositive	Maximum permissible positive speed	0x2009	I16	VP
402.2	Limit_SpeedNegative	Maximum permissible negative speed	0x200A	I16	VP
402.3	Limit_CurrentPositive	Maximum permissible positive current	0x200B	I16	VP
402.4	Limit_CurrentNegative	Maximum permissible negative current	0x200C	I16	VP
402.6	Limit_CurrentFine	Factor for the current limits	0x2093	I16	immediately
410.2	LimitPosition_Positive	positive end limit	0x607D.2	C4_3	immediately
410.3	LimitPosition_Negative	negative end limit	0x607D.1	C4_3	immediately
410.6	LimitPosition_LoadControlMaxPosDiff	Position difference load-motor (error threshold)		C4_3	VP
420.1	PositioningAccuracy_Window	Positioning window for position reached	0x6067	C4_3	VP
420.2	PositioningAccuracy_FollowingErrorWindow	Following error limit	0x6065	C4_3	VP
420.3	PositioningAccuracy_FollowingErrorTimeout	Following Error Time	0x6066	U16	immediately
420.7	PositioningAccuracy_WindowTime	In Position Window Time	0x6068	U16	immediately
550.1	ErrorHistory_LastError	Current error (n)	0x603F/0x201D.1	U16	-
634.4	AnalogOutput0_DemandValue	Setpoint for analog output 0	0x2019	I16	immediately
635.4	AnalogOutput1_DemandValue	Setpoint for analog output 1	0x201A	I16	immediately
670.2	StatusTorqueForce_ActualTorque	Status of actual torque		I32	-
670.4	StatusTorqueForce_ActualForce	Status of actual force		I32	-
680.4	StatusPosition_DemandValue	Status demand position	0x60FC	C4_3	-
680.5	StatusPosition_Actual	Status actual position	0x2104	C4_3	-
680.6	StatusPosition_FollowingError	Status of tracking error	0x60F4	C4_3	-
680.8	StatusPosition_Actual_Y4	Status position actual value in the bus format Y4	0x2022/0x6064	I32	-
680.12	StatusPosition_DemandController	Status demand position without absolute reference		C4_3	-
680.20	StatusPosition_LoadControlDeviation	Position difference load-motor (unfiltered)		C4_3	-
680.21	StatusPosition_LoadControlDeviationMax	Maximum position difference load-motor		C4_3	-
680.22	StatusPosition_LoadControlDeviationFiltered	Position difference load-motor (filtered)		C4_3	-
680.23	StatusPosition_LoadControlActual	Actual position of the load		C4_3	-
680.32	StatusPosition_EncoderIncrements5V	Encoder position 0 (5V) in increments	0x2095.3	I32	immediately
681.4	StatusSpeed_DemandValue	Status demand speed of setpoint generator	0x606B	C4_3	-
681.5	StatusSpeed_Actual	Status actual speed unfiltered	0x6069	C4_3	-
681.6	StatusSpeed_Error	Status control deviation of speed	0x2027	C4_3	-
681.7	StatusSpeed_ActualFiltered_Y2	Status of the actual filtered speed speed in the Y2 format	0x2023	Y2	-
681.9	StatusSpeed_ActualFiltered	Status actual speed filtered	0x606C	C4_3	-
681.10	StatusSpeed_DemandSpeedController	Status demand speed controller input		C4_3	-
681.11	StatusSpeed_FeedForwardSpeed	Status speed feed forward		C4_3	-
681.12	StatusSpeed_ActualScaled	Filtered actual speed in per cent		C4_3	-
681.13	StatusSpeed_DemandScaled	Setpoint speed of the setpoint generator		C4_3	-
681.20	StatusSpeed_LoadControl	Speed of the load feedback (unfiltered)		C4_3	-
681.21	StatusSpeed_LoadControlFiltered	Speed of the load feedback (filtered)		C4_3	-
681.24	StatusSpeed_PositiveLimit	Positive speed limit currently effective		C4_3	-
681.25	StatusSpeed_NegativeLimit	Negative speed limit currently effective		C4_3	-
681.26	StatusSpeed_Actual_rpm_mps	Status of actual speed filtered in 1/min or m/s	0x2105	C4_3	-
682.4	StatusAccel_DemandValue	Status demand acceleration	0x200E	I32	-
682.5	StatusAccel_Actual	Status of actual acceleration unfiltered		I32	-



No.	Object name	Object	Bus_No	Bus Format	Valid beginning
682.6	StatusAccel_ActualFilter	Status of filtered actual acceleration		I32	-
682.7	StatusAccel_FeedForwardAccel	Status acceleration feed forward		C4_3	-
683.1	StatusDevice_ActualCurrent	Status of actual current value	0x6077	E2_6	-
683.2	StatusDevice_ActualDeviceLoad	Status of device load	0x2011	E2_6	-
683.3	StatusDevice_ActualMotorLoad	Status of long-term motor load	0x2012	E2_6	-
683.5	StatusDevice_ObservedDisturbance	Status of observed disturbance		C4_3	-
683.8	StatusDevice_MotorCurrent	Motor current in per thousand of the actual current limit	0x2094	I16	-
683.11	StatusDevice_BallastResistorONThreshold	Braking resistor switch-on voltage		C4_3	-
683.12	StatusDevice_BallastResistorOFFThreshold	Braking resistor switch-off voltage		C4_3	-
684.1	StatusTemperature_PowerStage	Status of power output stage temperature	0x2014	U16	-
684.2	StatusTemperature_Motor	Status of motor temperature	0x2013	I16	-
684.4	StatusTemperature_TmotResistance	Status of motor temperature resistance value		U16	-
685.1	StatusVoltage_AuxiliaryVoltage	Status of auxiliary voltage	0x200F	E2_6	-
685.2	StatusVoltage_BusVoltage	Status DC bus voltage		E2_6	-
685.3	StatusVoltage_AnalogInput0	Status of analog input 0	0x2025	Y2	-
685.4	StatusVoltage_AnalogInput1	Status of analog input 1	0x2026	Y2	-
685.5	StatusVoltage_BusVoltage_C4_3	DC bus voltage unfiltered	0x6079	C4_3	-
688.1	StatusCurrent_Reference	Status of setpoint current RMS (torque forming)		E2_6	-
688.2	StatusCurrent_Actual	Status of actual current RMS (torque producing)		E2_6	-
688.8	StatusCurrent_ControlDeviationIq	Status control deviation current control RMS		C4_3	-
688.9	StatusCurrent_PhaseU	Status of current phase U		C4_3	-
688.10	StatusCurrent_PhaseV	Status of current phase V		C4_3	-
688.11	StatusCurrent_ReferenceVoltageUq	Status of current control control signal		C4_3	-
688.13	StatusCurrent_ReferenceJerk	Status of demand jerk setpoint generator		I32	-
688.14	StatusCurrent_FeedForwardCurrentJerk	Status of current & jerk feedforward		C4_3	-
688.17	StatusCurrent_FieldWeakeningFactor	Reciprocal of the field weakening factor FF		C4_3	-
688.18	StatusCurrent_ReferenceDINT	Target current r.m.s.		I32	-
688.19	StatusCurrent_ActualDINT	Actual current r.m.s.		I32	-
688.22	StatusCurrent_ReferenceVoltageVector	Provided voltage pointer		C4_3	-
688.29	StatusCurrent_VoltageUq	Provided voltage of quadrature current controller		C4_3	-
688.30	StatusCurrent_VoltageUd	Provided voltage of direct current controller		C4_3	-
688.31	StatusCurrent_DecouplingVoltageUd	Signal decoupling of direct current controller		C4_3	-
688.32	StatusCurrent_FeedForwardbackEMF	Signal EMC feedforward		C4_3	-
690.5	StatusAutocommutation_Iterations	Current increase steps automatic commutation		U16	-
692.1	StatusFeedback_FeedbackSineDSP	Status of sine in signal processing		I32	-
692.2	StatusFeedback_FeedbackCosineDSP	Status of cosine in signal processing		I32	-
692.3	StatusFeedback_EncoderSine	Status of analog input sine		I32	-
692.4	StatusFeedback_EncoderCosine	Status of analog input cosine		I32	-
692.5	StatusFeedback_FeedbackVoltage[Vpp]	Status of feedback level		C4_3	-
699.4	StatusJerk_DemandValue	Status of demand jerk setpoint generator		I32	-
820.3	CANopen_Node_ID	CANopen_Node_ID		U16	-
820.8	CANopen_ComCyclePeriod	Sync bus cycle time CANSync, Powerlink, EtherCat	0x1006, 0x60C2	U32	immediately
820.23	CANopen_SyncPulseCounter	Captured sync pulses		I32	immediately
820.24	CANopen_SyncMode	Configuration of the bus synchronization process	0x205E	I16	immediately
820.27	CANopen_SyncErrorCounter	Error counter for CANSync, Powerlink, EtherCat		I32	immediately

No.	Object name	Object	Bus_No	Bus Format	Valid beginning
820.28	CANopen_CANSyncPeriod	Current period duration of the sync signal		C4_3	-
990.1	Delay_MasterDelay	Setpoint delay for bus master		I16	immediately
1000.3	DeviceState_Statusword_1	Status word SW	0x6041	V2	immediately
1000.4	DeviceState_Statusword_2	Status word 2	0x201C	V2	immediately
1000.5	DeviceState_ActualOperationMode	Operating mode display	0x6061	I16	immediately
1100.3	DeviceControl_Controlword_1	Control word CW	0x6040	V2	immediately
1100.4	DeviceControl_Controlword_2	Control word 2	0x201B	V2	immediately
1100.5	DeviceControl_OperationMode	Operating mode	0x6060	I16	immediately
1100.6	DeviceControl_DemandValue1	Device demand value A	0x202A/0x2044/0x607A	Y4	immediately
1100.7	DeviceControl_DemandValue2	Device demand value D	0x202B/0x2046/0x6081	Y4	immediately
1100.13	DeviceControl_DemandValue8	Setpoint value	0x206A/0x60FF	Y4	immediately
1100.14	DeviceControl_DemandValue2_Y2	Device demand value	0x202C/0x2068	Y2	immediately
1100.20	DeviceControl_QuickStopMode	Quick Stop operating mode	0x605A	I16	immediately
1111.1	POSITION_position	Target position		C4_3	immediately
1111.2	POSITION_speed	Speed for positioning and velocity control		C4_3	immediately
1111.3	POSITION_accel	Acceleration for positioning	0x6083	U32	immediately
1111.4	POSITION_decel	Deceleration for positioning	0x6084	U32	immediately
1111.5	POSITION_jerk_accel	Acceleration jerk for positioning	0x2005	U32	immediately
1111.6	POSITION_jerk_decel	Deceleration jerk for positioning	0x2006	U32	immediately
1111.8	POSITION_resetpositon_mode	Continuous mode	0	U16	immediately
1111.10	POSITION_accel_U16	Acceleration for positioning in U16 Format	0x202D	U16	immediately
1111.13	POSITION_direction	Manipulation of the motion direction in reset mode		I32	immediately
1111.16	POSITION_decel_U16	Deceleration for Positioning in U16 Format	0x205D	U16	immediately
1113.1	STOP_decel	Deceleration for STOP	0x6085	U32	immediately
1113.2	STOP_jerk	Jerk for STOP	0x2001	U32	immediately
1116.1	FSTOP1_decel	Deceleration for FSTOP1	0x2002	U32	immediately
1116.2	FSTOP1_jerk	Jerk for FSTOP1	0x2003	U32	immediately
1116.3	FSTOP1_mode	Operating mode switch for CiA DS402 transition 8	0x605B	I16	immediately
1118.1	FSTOP3_decel	Deceleration for FSTOP3	0x200D	U32	immediately
1118.2	FSTOP3_jerk	Jerk for FSTOP3	0x2004	U32	immediately
1123.3	OperationDisable_mode	Operating mode switch for CiA DS402 transition 5	0x605C	I16	immediately
1125.1	ERROR_decel	Deceleration upon error	0x2018	U32	immediately
1125.2	ERROR_jerk	Jerk upon Error	0x2015	U32	immediately

No.	Object name	Object	Bus_No	Bus Format	Valid beginning
1127.1	SPEED_accel	Acceleration / deceleration in speed control operating mode	0x6083	U32	immediately
1127.3	SPEED_speed	Setpoint speed in speed control operating mode		C4_3	immediately
1128.1	JOG_accel	Acceleration for Manual +/-	0x2007	U32	immediately
1128.2	JOG_jerk	Jerk for Manual +/-	0x2010	U32	immediately
1128.3	JOG_speed	Speed for Manual +/-	0x2008	C4_3	immediately
1130.1	HOMING_accel	Acceleration / deceleration MN (homing) run	0x609A	U32	immediately
1130.3	HOMING_speed	Speed for machine reference run	0x6099.1	C4_3	immediately
1130.4	HOMING_mode	Adjusting the machine reference mode	0x6098	U16	immediately
1130.5	HOMING_home_offset	Machine Zero Offset	0x607C	C4_3	immediately
1130.7	HOMING_edge_sensor_distance	Initiator adjustment	0x2000	C4_3	immediately
1130.13	HOMING_edge_position	Distance MN (zero) initiator - motor zero		C4_3	immediately
1141.10	GEAR_FFW_mode	Control bits for feedforward with source CANSync/EthernetPowerLink/EtherCat	0x2097	U16	immediately
1152.20	RegMove_ParametersModified	Status RegMove		I16	immediately
1211.13	PG2POSITION_direction	Manipulation of the motion direction in reset mode		I32	immediately
1252.20	PG2RegMove_ParametersModified	Status RegMove		I16	immediately
1900.1	Pointer_Row	Pointer to table row	0x2300	U16	immediately
1901.1	Col01_Row01	variable Column 1 Row 1	0x2301.1	Y4	immediately
1902.1	Col02_Row01	variable Column 2 Row 1	0x2302.1	Y2	immediately
1903.1	Col03_Row01	variable Column 3 Row 1	0x2303.1	I16	immediately
1904.1	Col04_Row01	variable Column 4 Row 1	0x2304.1	I16	immediately
1905.1	Col05_Row01	variable Column 5 Row 1	0x2305.1	I16	immediately
1906.1	Col06_Row01	variable Column 6 Row 1	0x2306.1	I32	immediately
1907.1	Col07_Row01	variable Column 7 Row 1	0x2307.1	I32	immediately
1908.1	Col08_Row01	variable Column 8 Row 1	0x2308.1	I32	immediately
1909.1	Col09_Row01	variable Column 9 Row 1	0x2309.1	I32	immediately
1910.1	Indirect_Col01	Indirect table access Column 1	0x2311	Y4	immediately
2010.1	FeedForward_Speed	Velocity Feed Forward	0x2101.1	U16	VP
2010.2	FeedForward_Accel	Acceleration feed-forward	0x2101.2	U16	VP
2010.4	FeedForward_Current	Current feed-forward	0x2101.4	U16	VP
2010.5	FeedForward_Jerk	Jerk feed-forward	0x2101.5	U16	VP
2010.20	FeedForward_EMF	EMC feedforward		U16	VP
2011.1	FeedForwardExternal_FilterSpeed	External Speed Feed Forward Filter Time Constant	0x2102.1	U16	VP
2011.2	FeedForwardExternal_FilterAccel	External Acceleration Feed Forward Filter Time Constant	0x2102.2	U16	VP
2011.4	FeedForwardExternal_FilterSpeed_us	Filter time constant ext. Speed		U16	VP
2011.5	FeedForwardExternal_FilterAccel_us	Filter time constant ext. Acceleration		U16	VP
2020.1	ExternalSignal_Position	Position from external signal source	0x2095.1	C4_3	-

No.	Object name	Object	Bus_No	Bus Format	Valid beginning
2020.6	ExternalSignal_Speed_Munits	Speed value of the external signal source		C4_3	-
2020.7	ExternalSignal_Accel_Munits	Acceleration of the external signal source		I32	-
2100.2	ControllerTuning_Stiffness	Stiffness (speed controller)	0x2100.2/0x2100.1	U16	VP
2100.3	ControllerTuning_Damping	Damping (rotation speed controller)	0x2100.3	U16	VP
2100.4	ControllerTuning_Inertia	Moment of Inertia	0x2100.4	U16	VP
2100.5	ControllerTuning_FilterSpeed	Filter - Actual velocity	0x2100.5	U16	VP
2100.6	ControllerTuning_FilterAccel	Filter - Actual acceleration	0x2100.6	U16	VP
2100.7	ControllerTuning_SpeedDFactor	D-component of speed controller	0x2100.7	U16	VP
2100.8	ControllerTuning_CurrentBandwidth	Current regulator bandwidth	0x2100.8	U16	VP
2100.9	ControllerTuning_CurrentDamping	Current loop - Damping	0x2100.9	U16	VP
2100.10	ControllerTuning_FilterSpeed2	Filter actual velocity 2		U16	VP
2100.11	ControllerTuning_FilterAccel2	Filter actual acceleration 2		U16	VP
2100.20	ControllerTuning_ActuatingSpeedSignalFilter_us	Control signal filter of velocity control		U16	VP
2100.21	ControllerTuning_FilterAccel_us	Filter - Actual acceleration		U16	VP
2107.1	TrackingfilterPhysicalSource_TRFSpeed	Time constant tracking filter physical source		U16	VP
2109.1	TrackingfilterHEDA_TRFSpeed	Time constant tracking filter HEDA-process position		I16	VP
2110.1	TrackingfilterSG1_TRFSpeed	Time constant tracking filter setpoint encoder	0x2096	I16	VP
2110.3	TrackingfilterSG1_FilterSpeed	Filter effect of speed filter setpoint encoder		U16	VP
2110.4	TrackingfilterSG1_AccelFilter	Filter effect of acceleration filter setpoint encoder		U16	VP
2110.6	TrackingfilterSG1_FilterSpeed_us	Filter time constant velocity setpoint generator		U16	VP
2110.7	TrackingfilterSG1_AccelFilter_us	Filter time constant acceleration setpoint generator		U16	VP
2120.1	SpeedObserver_TimeConstant	Rapidity of the speed monitor		U32	VP
2120.5	SpeedObserver_DisturbanceFilter	Time constant disturbance filter		U32	VP
2120.7	SpeedObserver_DisturbanceAdditionEnable	Switch to enable disturbance compensation		I16	VP
2150.1	NotchFilter_FrequencyFilter1	Center frequency of notch filter 1		I16	VP
2150.2	NotchFilter_BandwidthFilter1	Bandwidth of notch filter 1		I16	VP
2150.3	NotchFilter_DepthFilter1	Depth of notch filter 1		I32	VP
2150.4	NotchFilter_FrequencyFilter2	Center frequency of notch filter 2		I16	VP
2150.5	NotchFilter_BandwidthFilter2	Bandwidth of notch filter 2		I16	VP
2150.6	NotchFilter_DepthFilter2	Depth of notch filter 2		I32	VP
2190.1	AutoCommutationControl_Ramptime	Ramp slope current slope AK		U16	VP
2190.2	AutoCommutationControl_InitialCurrent	Start current of automatic commutation		U16	VP
2190.3	AutoCommutationControl_PositionThreshold	Motion limit for automatic commutation		U16	VP
2190.4	AutoCommutationControl_MotionReduction	Motion reduction Automatic commutation		U16	VP
2190.7	AutoCommutationControl_StandstillThreshold	Optimization of the standstill threshold		U16	VP
2190.8	AutoCommutationControl_PeakCurrent	Reduction of the peak current		U16	VP
2190.10	AutoCommutationControl_Reset	Reset automatic commutation		U16	immediately
2200.3	PositionController_ProportionalPart	Optimization parameters for the position controller P component (KV factor)		U16	VP
2200.11	PositionController_TrackingErrorFilter	Following error filter of the position controller		U16	VP
2200.20	PositionController_DeadBand	Deadband of position controller		C4_3	VP
2200.21	PositionController_FrictionCompensation	Friction compensation		I32	VP
2200.24	PositionController_TrackingErrorFilter_us	Time constant following error filter of position controller		U16	VP
2200.25	PositionController_IntegralPart	I term of position controller		U16	VP
2201.1	LoadControl_Enable	Activate load control	0x205F	I16	immediately

No.	Object name	Object	Bus_No	Bus Format	Valid beginning
2201.2	LoadControl_Command	Load control command mode		I16	immediately
2201.3	LoadControl_Status	Load control status bits		I16	-
2201.11	LoadControl_FilterLaggingPart	Time constant of position difference filter		U32	VP
2201.12	LoadControl_VelocityFilter	Time constant of the load-speed filter		I16	VP
2201.13	LoadControl_VelocityLimit	Load control intervention speed limitation		I16	VP
2210.4	SpeedController_P_Part_Gain	P term quantifier		U16	VP
2210.5	SpeedController_I_Part_Gain	Weighting "I" term		U16	VP
2210.17	SpeedController_ActualBandwidth	Replacement time constant for the velocity control		I32	-
2220.20	Q_CurrentController_Inductance	Parameter motor inductance		I16	VP
2220.21	Q_CurrentController_Resistance	Parameter motor resistance		I16	VP
2220.22	Q_CurrentController_BackEMF	Parameter motor force constant		I16	VP
2220.27	Q_CurrentController_StructureSelection	Structure switch of current control		I16	VP
2230.20	D_CurrentController_Ld_Lq_Ratio	Ratio direct to quadrature inductance		U16	VP
2230.24	D_CurrentController_VoltageDecouplingEnable	Activation of the voltage decoupling		I16	VP
2240.2	Magnetization current controller_IMrn_DemandValueTuning	Magnetization current quantifier (ASM)		I16	VP
2240.4	Magnetization current controller_Damping	Magnetization current controller attenuation(ASM)		I16	VP
2240.7	Magnetization current controller_Bandwidth	Magnetization current controller bandwidth (ASM)		I16	VP
2240.9	Magnetization current controller_SlipFrequency	Slip frequency quantifier (ASM)	0	I16	VP
2240.10	Magnetization current controller_RotorTimeConstant	Motor Time Constant quantifier	0	I16	VP
2240.11	Magnetization current controller_Field weakening speed	Reference speed quantifier (ASM)		I16	VP
3300.8	TouchProbe_IgnoreZone_Start	Beginning of the ignore zone	0x2066	C4_3	immediately
3300.9	TouchProbe_IgnoreZone_End	End of the ignore zone	0x2067	C4_3	immediately
3920.7	HEDA_SignalProcessing_OutputGreat	Output of the Heda Tracking Filter		C4_3	-
3921.1	FBI_SignalProcessing0_Input_Y4	Interpolation input CanSync, PowerLink	0x2050/0x60C1.1	I32	immediately
3921.2	FBI_SignalProcessing0_ResetDistance	Upper modulo limit CANSYNC, Powerlink, EtherCAT in Mrev	0x2051	I32	immediately
3921.3	FBI_SignalProcessing0_ResetDistanceLow	Lower modulo limit CanSync, PowerLink, EtherCat in Mrev	0x2103.1	I32	immediately
3921.5	FBI_SignalProcessing0_OutputFBIncr	Interpolation output position CanSync, PowerLink, EtherCat in Fbincr.		I32	-
3921.7	FBI_SignalProcessing0_OutputGreat	Interpolation output position CanSync, PowerLink, EtherCat in Mrev - free running.		Y4	-
3921.8	FBI_SignalProcessing0_Source	Switching the position source of the interpolator		I16	immediately
3921.9	FBI_SignalProcessing0_ResetDistance_Incr	Modulo limit CanSync, PowerLink, EtherCat in Fbincr	0x2103.1	I32	immediately
3921.10	FBI_SignalProcessing0_ResetDistanceLow_Incr	Lower modulo limit CanSync, PowerLink, EtherCat in Fbincr	0x2103.2	I32	immediately
3925.1	FBI_Interpolation_SubModeSelect	Interpolation method	0x60C0	I16	immediately
3925.20	FBI_Interpolation_VelocityInput	Velocity specification GEARING CanSync/EthernetPowerLink/EtherCat	0x2098	I32	immediately
3925.21	FBI_Interpolation_AccelInput	Acceleration specification GEARING CanSync/EthernetPowerLink/EtherCat	0x2099	I32	immediately
3925.22	FBI_Interpolation_VelocityStatus	Speed output value for CanSync/EthernetPowerLink/EtherCat		C4_3	-
3925.23	FBI_Interpolation_AccelStatus	Acceleration output value for CanSync/EthernetPowerLink/EtherCat		I32	-
3925.24	FBI_Interpolation_PositionStatus	Interpolation position input value for CanSync/EthernetPowerLink/EtherCat		I32	-

## 6.3 Detailed object list

A detailed object list can be found in the corresponding online help.

## 6.4 Data formats of the bus objects

### In this chapter you can read about:

Integer formats .....	334
Unsigned - Formats .....	334
Fixed point format E2_6 .....	335
Fixed point format C4_3 .....	335
Bus format Y2 and Y4 .....	335
Bit sequence V2 .....	336
Byte string OS .....	336

### 6.4.1. Integer formats

Twos complement representation;

The highest order bit (MSB) is the bit after the sign bit (VZ) in the first byte.

VZ == 0: positive numbers and zero; VZ == 1: negative numbers

Type	Bit	8	7	6	5	4	3	2	1
<b>Integer 8</b> length: 1 Byte		VZ	$2^6$	$2^5$	$2^4$	$2^3$	$2^2$	$2^1$	$2^0$
<b>Integer 16</b>	MSB	VZ	$2^{14}$	$2^{13}$	$2^{12}$	$2^{11}$	$2^{10}$	$2^9$	$2^8$
Length: 1 Word	LSB	$2^7$	$2^6$	$2^5$	$2^4$	$2^3$	$2^2$	$2^1$	$2^0$
<b>Integer 32</b>	MSB	VZ	$2^{30}$	$2^{29}$	$2^{28}$	$2^{27}$	$2^{26}$	$2^{25}$	$2^{24}$
Length: 2 Words		$2^{23}$	$2^{22}$	$2^{21}$	$2^{20}$	$2^{19}$	$2^{18}$	$2^{17}$	$2^{16}$
		$2^{15}$	$2^{14}$	$2^{13}$	$2^{12}$	$2^{11}$	$2^{10}$	$2^9$	$2^8$
	LSB	$2^7$	$2^6$	$2^5$	$2^4$	$2^3$	$2^2$	$2^1$	$2^0$

### 6.4.2. Unsigned - Formats

Type	Bit	8	7	6	5	4	3	2	1
<b>Unsigned 8</b> Length: 1 Byte		$2^7$	$2^6$	$2^5$	$2^4$	$2^3$	$2^2$	$2^1$	$2^0$
<b>Unsigned 16</b>	MSB	$2^{15}$	$2^{14}$	$2^{13}$	$2^{12}$	$2^{11}$	$2^{10}$	$2^9$	$2^8$
Length: 1 Word	LSB	$2^7$	$2^6$	$2^5$	$2^4$	$2^3$	$2^2$	$2^1$	$2^0$
<b>Unsigned 32</b>	MSB	$2^{31}$	$2^{30}$	$2^{29}$	$2^{28}$	$2^{27}$	$2^{26}$	$2^{25}$	$2^{24}$
Length: 2 Words		$2^{23}$	$2^{22}$	$2^{21}$	$2^{20}$	$2^{19}$	$2^{18}$	$2^{17}$	$2^{16}$
		$2^{15}$	$2^{14}$	$2^{13}$	$2^{12}$	$2^{11}$	$2^{10}$	$2^9$	$2^8$
	LSB	$2^7$	$2^6$	$2^5$	$2^4$	$2^3$	$2^2$	$2^1$	$2^0$

### 6.4.3. Fixed point format E2\_6

Linear fixed point value with six binary places after the decimal point. 0 corresponds to 0, 256 corresponds to  $2^{14}$  (0x4000).

Twos complement representation;

MSB is the bit after the sign bit

VZ == 0: positive numbers and zero;

VZ == 1: negative numbers

Type	Bit	8	7	6	5	4	3	2	1
E2_6	MSB	VZ	$2^8$	$2^7$	$2^6$	$2^5$	$2^4$	$2^3$	$2^2$
Length: 1 Word	LSB	$2^1$	$2^0$	$2^{-1}$	$2^{-2}$	$2^{-3}$	$2^{-4}$	$2^{-5}$	$2^{-6}$

### 6.4.4. Fixed point format C4\_3

Linear fixed point value with three decimal places after the decimal point. 0 corresponds to 0 and 0,001 corresponds to  $2^0$  (0x0000 0001).

Structure like data type Integer32, value of the bits reduced by a factor of 1000.

Length: 2 Words

### 6.4.5. Bus format Y2 and Y4

**Layout:**

- ◆ Y2 like data type Integer16
- ◆ Y4 like data type Integer32

The values can be adjusted by a normalization factor.

The following rules apply:

- ◆ Normalization factor for Y2: Object 200.1, ... 200.5
- ◆ Normalization factor for Y4: Object 201.1, ... 201.5

There are different normalization factors for individual values

#### 1. Y2 - normalization factors

- ◆ Object 200.1: NormFactorY2\_Speed: Normalization factor for Y2 speeds
- ◆ Object 200.2: NormFactorY2\_Position: Normalization factor for Y2 positions
- ◆ Object 200.3: NormFactorY2\_Voltage: Normalization factor for Y2 voltages
- ◆ Object 200.5: NormFactorY2\_Array\_Col2: Normalization factor for Column 2 of the recipe array

#### 2. Y4 - normalization factors

- ◆ Object 201.1: NormFactorY4\_Speed: Normalization factor for Y4 speeds
- ◆ Object 201.2: NormFactorY4\_Position: Normalization factor for Y4 positions
- ◆ Object 201.3: NormFactorY4\_Voltage: Normalization factor for Y4 voltages
- ◆ Object 201.4: NormFactorY4\_Array\_Col1: Normalization factor for Column 1 of the recipe array

### Meaning of the normalization factors

- ◆ Bit 5: Meaning of the normalization factor:
    - ◆ Bit 5 = "0": decimal factors 1, 1/10, 1/100, ..
- Bit 4 ... Bit 0: Normalization factor**

#	Bit 4...0	Factor dec (Bit 5 = 0) yy0x xxxx	
0	00000	$10^0$	1
1	00001	$10^{-1}$	0.1
2	00010	$10^{-2}$	0.01
3	00011	$10^{-3}$	0.001
4	00100	$10^{-4}$	0,0001
5	00101	$10^{-5}$	0,00001
6	00110	$10^{-6}$	0.00001
7	00111	$10^{-7}$	0.00001
8	01000	$10^{-8}$	0.00000001
9	01001	$10^{-9}$	0.000000001

- ◆ Bit 5 = "1": binary factors 4, 1/2, 1/4, 1/8, ...
- Bit 0 ... Bit 0: Normalization factor**

#	Bit 4...0	Factor bin (Bit 5 = 1) yy1x xxxx	
32	00000	$2^0$	1
33	00001	$2^{-1}$	0.5
34	00010	$2^{-2}$	0.25
35	00011	$2^{-3}$	0.125
36	00100	$2^{-4}$	0,0625
37	00101	$2^{-5}$	0,03125
38	00110	$2^{-6}$	0.015625
39	00111	$2^{-7}$	0.0078125
40	01000	$2^{-8}$	0.00390625
41	01001	$2^{-9}$	0.001953125
42	01010	$2^{-10}$	0.0009765625
43	01011	$2^{-11}$	0.00048828125
44	01100	$2^{-12}$	0.000244140625
45	01101	$2^{-13}$	0,0001220703125
46	01110	$2^{-14}$	0.00006103515625
47	01111	$2^{-15}$	0.000030517578125
48	10000	$2^{-16}$	0.0000152587890625
49	10001	$2^{-17}$	0.00000762939453125
50	10010	$2^{-18}$	0.000003814697265625
51	10011	$2^{-19}$	0.0000019073486328125
52	10100	$2^{-20}$	0.00000095367431640625
53	10101	$2^{-21}$	0.000000476837158203125
54	10110	$2^{-22}$	0.0000002384185791015625
55	10111	$2^{-23}$	0.00000011920928955078125
56	11000	$2^{-24}$	0.000000059604644775390625

- ◆ Bit 15 ... Bit 6: reserved

## 6.4.6. Bit sequence V2

The V2 bus format is a bit sequence with a length of 16 bits.

## 6.4.7. Byte string OS

Octet string OS: String with variable length.



# 7. Status values

## In this chapter you can read about:

D/A-Monitor .....	337
Status values .....	337

A list of the status values supports you in optimization and commissioning. Open the optimization function in the C3 ServoManager (double-click on optimization in the tree)

You will find the available status values in the lower right part of the window under selection (TAB) "Status values".

You can pull them into the oscilloscope (upper part of the left side) or into the status display (upper part of the right side) by the aid of the mouse (drag and drop).

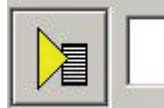
The status values are divided into 2 groups (user levels):

**standard:** here you can find all important status values

**advanced:** Advanced status values, require a better knowledge

### Switching of the user level

The user level can be changed in the optimization window (left hand side lower part under selection (TAB) "optimization") with the following button.



## 7.1 D/A-Monitor

A part of the status values can be output via the D/A monitor channel 0 (X11/4) and channel 1 (X11/3). In the following status list under D/A monitor output: possible / not possible).

The reference for the output voltage can be entered individually in the reference unit of the status value.

### **Example: Output Object 2210.2: (actual speed unfiltered)**

In order to get an output voltage of 10V at 3000rpm, please enter rev/s (=3000rpm) as "value of the signal at 10V".

### **Hint**

The unit of measurement of the D/A monitor values differs from the unit of measurement of the status values.

## 7.2 Status values

Additional information on the topic of "status values" can be found in the online help of the device.

# 8. Error

Standard error reactions:

**Reaction 2:** Downramp with "de-energize" **then apply brake** (see on page 279) and finally de-energize.

For errors with standard reaction 2 the **error reaction can be changed** (see on page 151).

**Reaction 5:** deenergize immediately (without ramps), apply brake.

**Caution! A Z-axis may drop down due to the brake delay times**

**Most pending errors can be acknowledged with Quit!**

**The following errors must be acknowledged with Power on:**

**0x7381, 0x7382, 0x7391, 0x7392, 0x73A0**

**Object 550.1 displays error:**  
**value 1 means "no error".**

The errors as well as the error history can be viewed in the C3 ServoManager under optimization (at the top right of the optimization window).

## 8.1 Error list

Detailed information on the topic of the "error list" can be found in the online help of the device.

# 9. Order code

**In this chapter you can read about:**

Order code device: Compax3 .....	340
Order code for mains module: PSUP .....	341
Order code for accessories .....	341

## 9.1 Order code device: Compax3

Example: C3S025V2F10I10T10M00

C3

Device type: Compax3

Single axis	S									--
Highpower	H									--
Multi-axis device	M									

Device currents static/dynamic; supply voltage

2.5 A / 5 A ; 230VAC (single phase)	S	025	V2							--
6.3 A / 12.6 A ; 230VAC (1 phase)	S	063	V2							--
10A / 20A ; 230VAC (three phase)	S	100	V2							--
15A / 30A ; 230VAC (three phase)	S	150	V2							--
1.5A / 4.5A ; 400VAC (three phase)	S	015	V4							--
3.8 A / 7.5 A ; 400VAC (3 phase)	S	038	V4							--
7.5 A / 15.0 A ; 400VAC (3 phase)	S	075	V4							--
15.0 A / 30.0 A ; 400VAC (3 phase)	S	150	V4							--
30.0 A / 60.0 A ; 400VAC (3 phase)	S	300	V4							--
50A / 75A ; 400VAC (three phase)	H	050	V4							--
90A / 135A ; 400VAC (three phase)	H	090	V4							--
125A / 187.5A ; 400VAC (three phase)*	H	125	V4							--
155A / 232.5A ; 400VAC (three phase)*	H	155	V4							--
5.0A / 10,0A ; 400VAC (three phase)	M	050	D6							
10A / 20A ; 400VAC (three phase)	M	100	D6							
15A / 30A ; 400VAC (three phase)	M	150	D6							
60A 30A / ; 400VAC (three phase)	M	300	D6							

Feedback:

Resolver										F10
SinCos© (Hiperface)										F11
Encoder, Sine-cosine with/without hall										F12

Interface:

Step/direction / analogue input										I10	T10	M00
Positioning with inputs/outputs										I11	T11	M00
Positioning via I/Os or RS232 / RS485/USB										I12		
Profibus DP V0/V1/V2 (12Mbaud)										I20		
CANopen										I21		
DeviceNet										I22		
Ethernet Powerlink										I30		
EtherCAT										I31		
Profinet										I32		
C3 powerPLmC (Multi-axis control)										C20		M00

Technology functions:

Positioning												T11
Motion control programmable according to IEC61131-3												T30
Motion control programmable according to IEC61131-3 & electronic cam extension												T40

Options:

no additional supplement												M00
Expansion 12 digital I/Os & HEDA (Motionbus)												M10
HEDA (Motionbus)												M11
Expansion, 12 digital I/Os												M12

Safety technology only C3M:

Safe torque off	M		D6									S1
Extended safety technology	M		D6									S3

\*external voltage supply for ventilator fan required. Available in two versions for single phase feed:

Standard: 220/240VAC: 140W, on request: 110/120VAC: 130W

## 9.2 Order code for mains module: PSUP

Example: PSUP10D6USBM00



Power module	P				
Nominal power; supply voltage					
10kW; 400 VAC (3-phase)		10	D6		
20kW; 400 VAC (3-phase)		20	D6		
30kW; 400 VAC (3-phase)		30	D6		
Interface:					
USB connection				USB	
Options:					
no additional supplement					M00

## 9.3 Order code for accessories

### Order Code connection set for Compax3S

The corresponding connection sets are furnished with the device.

for C3S0xxV2	ZBH 02/01	ZBH	0 2 / 0 1		
for C3S0xxV4 / S150V4 / S1xxV2	ZBH 02/02	ZBH	0 2 / 0 2		
for C3S300V4	ZBH 02/03	ZBH	0 2 / 0 3		

### Order code for PSUP/Compax3M connection set

The corresponding connection sets are furnished with the device.

for C3M050D6, C3M100D6, C3M150D6	ZBH 04/01	ZBH	0 4 / 0 1		
for C3M300D6	ZBH 04/02	ZBH	0 4 / 0 2		
for PSUP10	ZBH 04/03	ZBH	0 4 / 0 3		
PSUP20, PSUP30	ZBH 04/04	ZBH	0 4 / 0 4		

### Order code for feedback cables

for resolver <sup>(2)</sup>	for MH / SMH motors	REK	4 2 / ... <sup>(1)</sup>		
for resolver <sup>(2)</sup>	for MH / SMH motors (cable chain compatible)	REK	4 1 / ... <sup>(1)</sup>		
for SinCos® – feedback <sup>(2)</sup>	for MH / SMH motors (cable chain compatible)	GBK	2 4 / .. <sup>(1)</sup>		
for EnDat 2.1 <sup>(2)</sup>	for MH / SMH motors (cable chain compatible)	GBK	3 8 / .. <sup>(1)</sup>		
Encoder – Compax3		GBK	2 3 / ... <sup>(1)</sup>		
for LXR linear motors	(cable chain compatible)	GBK	3 3 / ... <sup>(1)</sup>		
for BLMA linear motors	(cable chain compatible)	GBK	3 2 / ... <sup>(1)</sup>		

<sup>(x)</sup> **Note on cable** (see on page 344)

### Motor cable order code <sup>(2)</sup>

for SMH / MH56 / MH70 / MH105 <sup>(3)</sup>	(1.5mm <sup>2</sup> ; up to 13.8A)	MOK	5 5 / ... <sup>(1)</sup>		
for SMH / MH56 / MH70 / MH105 <sup>(3)</sup>	(1.5mm <sup>2</sup> ; up to 13.8A) (cable chain compatible)	MOK	5 4 / ... <sup>(1)</sup>		
for SMH / MH56 / MH70 / MH105 <sup>(3)</sup>	(2.5mm <sup>2</sup> ; up to 18.9A)	MOK	5 6 / ... <sup>(1)</sup>		
for SMH / MH56 / MH70 / MH105 <sup>(3)</sup>	(2.5mm <sup>2</sup> ; up to 18.9A) (cable chain compatible)	MOK	5 7 / ... <sup>(1)</sup>		
for MH145 / MH205 <sup>(4)</sup>	(1.5mm <sup>2</sup> ; up to 13.8A)	MOK	6 0 / ... <sup>(1)</sup>		
for MH145 / MH205 <sup>(4)</sup>	(1.5mm <sup>2</sup> ; up to 13.8A) (cable chain compatible)	MOK	6 3 / ... <sup>(1)</sup>		
for MH145 / MH205 <sup>(4)</sup>	(2.5mm <sup>2</sup> ; up to 18.9A)	MOK	5 9 / ... <sup>(1)</sup>		
for MH145 / MH205 <sup>(4)</sup>	(2.5mm <sup>2</sup> ; up to 18.9A) (cable chain compatible)	MOK	6 4 / ... <sup>(1)</sup>		
for MH145 / MH205 <sup>(4)</sup>	(6mm <sup>2</sup> ; up to 32.3A) (cable chain compatible)	MOK	6 1 / ... <sup>(1)</sup>		
for MH145 / MH205 <sup>(4)</sup>	(10mm <sup>2</sup> ; up to 47.3A) (cable chain compatible)	MOK	6 2 / ... <sup>(1)</sup>		

<sup>(x)</sup> **Note on cable** (see on page 344)

### 9.3.1. Order Code braking resistors

#### Order Code braking resistors

for C3S063V2 or C3S075V4	56Ω / 0.18kW <sub>cont.</sub>	BRM	0 5	/	0 1
for C3S075V4	56Ω / 0.57kW <sub>cont.</sub>	BRM	0 5	/	0 2
for C3S025V2 or C3S038V4	100Ω / 60W <sub>cont.</sub>	BRM	0 8	/	0 1
for C3S150V4	47Ω / 0.57kW <sub>cont.</sub>	BRM	1 0	/	0 1
for C3S150V2, C3S300V4 and PSUP20D6	4/01:15Ω / 0.57kW <sub>cont.</sub> 4/02:15Ω / 0.74kW <sub>cont.</sub>	BRM	0 4	/	0 ...
for C3S300V4 and PSUP20D6	4/03:15Ω / 1.5kW <sub>cont.</sub>				
for C3S100V2	22Ω / 0.45kW <sub>cont.</sub>	BRM	0 9	/	0 1
for C3H0xxV4	27Ω / 3.5kW <sub>cont.</sub>	BRM	1 1	/	0 1
for PSUP10D6 and PSUP20D6 / PSUP30D6 (2x30Ω parallel)	30Ω / 0.5kW <sub>cont.</sub>	BRM	1 3	/	0 1
for PSUP10D6 (2x15Ω in series), PSUP20D6, PSUP30D6	15Ω / 0.5kW <sub>cont.</sub>	BRM	1 4	/	0 1
for C3H1xxV4, PSUP30D6	18Ω / 4.5kW <sub>cont.</sub>	BRM	1 2	/	0 1

#### Order code mains filter Compax3S

for C3S025V2 or S063V2		NFI	0 1	/	0 1
for C3S0xxV4, S150V4 or S1xxV2		NFI	0 1	/	0 2
for C3S300V4		NFI	0 1	/	0 3

#### Order code mains filter Compax3H

for C3H050V4		NFI	0 2	/	0 1
for C3H090V4		NFI	0 2	/	0 2
for C3H1xxV4		NFI	0 2	/	0 3

#### Order Code mains filter PSUP

for PSUP10	Reference axis combination 3x480V 25A 6x10m motor cable length	NFI	0 3	/	0 1
for PSUP10	Reference axis combination 3x480V 25A 6x50m motor cable length	NFI	0 3	/	0 2
for PSUP20 & PSUP30	Reference axis combination 3x480V 50A 6x50m motor cable length	NFI	0 3	/	0 3

#### Order code for mains filters

for PSUP30	Mains filter	LCG-0055-0.45 mH
for PSUP30	Mains filter with UL approval	LCG-0055-0.45 mH-UL

#### Order code for motor output filter (for Compax3S, Compax3M >20m motor cable)

up to 6,3 A rated motor current		MDR	0 1	/	0 4
Up to 16 A rated motor current		MDR	0 1	/	0 1
Up to 30A A rated motor current		MDR	0 1	/	0 2

#### Order code condenser module

for C3S300V4	1100μF	Modules	C4
--------------	--------	---------	----

### 9.3.2. Interface cable order code

#### Order code for interface cables and connectors

PC – Compax3 (RS232)	SSK	0 1 / ...	...	... <sup>(1)</sup>
PC – PSUP (USB)	SSK	3 3 / ...	...	...
on X11 (Ref/Analog) and X13 with C3F001D2	SSK	2 1 / ...	...	... <sup>(1)</sup>
on X12 / X22 (digital I/Os)	SSK	2 2 / ...	...	... <sup>(1)</sup>
on X11 (Ref /Analog)	SSK	2 3 / ...	...	... <sup>(1)</sup>
on X12 / X22 (digital I/Os)	SSK	2 4 / ...	...	... <sup>(1)</sup>
PC ⇔ POP (RS232)	SSK	2 5 / ...	...	... <sup>(1)</sup>
Compax3 ⇔ POP (RS485) for several C3H on request	SSK	2 7 / ..	..	... <sup>(6)</sup>
Compax3 HEDA ⇔ Compax3 HEDA or PC ⇔ C3powerPLmC				
Compax3 I30 ⇔ Compax3 I30 or C3M-multi-axis communication	SSK	2 8 / ..	..	... <sup>(5)</sup>
Profinet, EtherCAT, Ethernet Powerlink				
Compax3 X11 ⇔ Compax3 X11 (encoder coupling of 2 axes)	SSK	2 9 / ...	...	... <sup>(1)</sup>
Compax3 X10 ⇔ Modem	SSK	3 1 / ...	...	
Compax3H adapter cable ⇔ SSK01 (length 15cm, delivered with the device)	SSK	3 2 / 2	0	
Compax3H X10 RS232 connection control ⇔ Programming interface (delivered with the device)	VBK	1 7 / 0	1	
Bus terminal connector (for the 1st and last Compax3 in the HEDA Bus/or multi-axis system)	BUS	0 7 / 0	1	
Profibus cable <sup>(2)</sup>	SSL	0 1	...	... <sup>(7)</sup>
Profibus connector	BUS	0 8 / 0	1	
CAN bus cable <sup>(2)</sup>	SSL	0 2	...	... <sup>(7)</sup>
CAN bus connector	BUS	1 0 / 0	1	

<sup>(x)</sup> **Note on cable** (see on page 344)

#### Order Code operating module

Operating module (for Compax3S and Compax3F)	BDM	0 1 / 0	1	

#### Order Code terminal block

for I/Os without luminous indicator	EAM	0 6 / 0	1	
for I/Os with luminous indicator	EAM	0 6 / 0	2	

#### Order Code decentralized input terminals

PIO 2DI 24VDC 3.0ms	PIO	4 0 0		
PIO 4DI 24VDC 3.0ms	PIO	4 0 2		
PIO 8DI 24VDC 3.0ms	PIO	4 3 0		
PIO 2AI DC ±10V differential input	PIO	4 5 6		
PIO 4AI 0-10VDC S.E.	PIO	4 6 8		
PIO 2AI 0-20mA differential input	PIO	4 8 0		

#### Order Code decentralized output terminals

PIO 2DO 24VDC 0.5A	PIO	5 0 1		
PIO 4DO 24VDC 0.5A	PIO	5 0 4		
PIO 8DO 24VDC 0.5A	PIO	5 3 0		
PIO 2AO 0-10VDC	PIO	5 5 0		
PIO 2AO 0-20mA	PIO	5 5 2		
PIO 2AO DC ±10V	PIO	5 5 6		

#### Order Code CANopen Fieldbus Coupler

CANopen Standard	PIO	3 3 7		
CANopen ECO	PIO	3 4 7		

### 9.3.3. Note on cable ordering

#### <sup>(1)</sup> Length code 1

Length [m]	1.0	2.5	5.0	7.5	10.0	12.5	15.0	20.0	25.0	30.0	35.0	40.0	45.0	50.0
Order code	01	02	03	04	05	06	07	08	09	10	11	12	13	14

**Example:**

SSK01/09: Length 25m

<sup>(2)</sup> Colors according to DESINA

<sup>(3)</sup> with motor connector

<sup>(4)</sup> with cable eye for motor terminal box

#### <sup>(5)</sup> length code 2 for SSK28

Length [m]	0.17	0.25	0.5	1.0	3.0	5.0	10.0
Order code	23	20	21	01	22	03	05

**<sup>(6)</sup> Order code: SSK27/nn/..**

Length A (Pop - 1. Compax3) variable (the last two numbers according to the length code for cable, for example SSK27/nn/01)

Length B (1. Compax3 - 2. Compax3 - ... - n. Compax3) fixed 50 cm (only if there is more than 1 Compax3, i.e. nn greater than 01)

Number n (the last two digits)

**Examples include:**

SSK27/05/.. for connecting from Pop to 5 Compax3.

SSK27/01/.. for connecting from Pop to one Compax3

MOK55 and MOK54 can also be used for linear motors LXR406, LXR412 and BLMA.

<sup>(7)</sup> sold by the meter: Length in meters (order in number of items)

<sup>(x)</sup> **Note on cable** (see on page 344)



# 10. Compax3 Accessories

## In this chapter you can read about:

Parker servo motors .....	345
EMC measures.....	348
Connections to the motor.....	356
External braking resistors .....	361
Condenser module C4.....	374
Operator control module BDM .....	375
EAM06: Terminal block for inputs and outputs.....	376
Interface cable.....	378
Options M1x .....	384
CAN - plug BUS10/01.....	388

## 10.1 Parker servo motors

### In this chapter you can read about:

Direct drives .....	345
Rotary servo motors .....	347

### 10.1.1. Direct drives

#### In this chapter you can read about:

Transmitter systems for direct drives .....	346
Linear motors .....	347
Torque motors .....	347

### 10.1.1.1 Transmitter systems for direct drives

The Feedback option F12 makes it possible to operate linear motors as well as torque motors. Compax3 supports the following transmitter systems:

Special encoder systems for direct drives	Option F12
Analog hall sensors	<ul style="list-style-type: none"> <li>◆ Sine-Cosine signal (max. 5Vss*; typical 1Vss) 90° offset</li> <li>◆ U-V signal (max. 5Vss*; typical 1Vss) 120° offset.</li> </ul>
Encoder (linear or rotatory)	<ul style="list-style-type: none"> <li>◆ Sine-Cosine (max. 5Vss*; typical 1Vss) (max. 400kHz) or</li> <li>◆ TTL (RS422) (max. 5MHz; track A or B)</li> <li>◆ Bypass function for encoder signals (limit frequency** 5MHz, track A or B) with the following modes of commutation:               <ul style="list-style-type: none"> <li>◆ <b>Automatic commutation</b> (see on page 346) or</li> <li>◆ U, V, W or R, S, T commutation signals (NPN open collector) e.g. digital hall sensors, incremental encoders made by Hengstler (F series with electrical ordering variant 6)</li> </ul> </li> </ul>
Digital, bidirectional interface	<ul style="list-style-type: none"> <li>◆ All EnDat 2.1 or EnDat 2.2 (Endat01, Endat02) feedback systems with incremental track (sine-cosine track)               <ul style="list-style-type: none"> <li>◆ linear or rotary</li> <li>◆ max. 400kHz Sine-Cosine</li> </ul> </li> </ul>
Distance coded feedback systems	<ul style="list-style-type: none"> <li>◆ Distance coding with 1VSS - Interface</li> <li>◆ Distance coding with RS422 - Interface (Encoder)</li> </ul>

\*Max. differential input between SIN- (X13/7) and SIN+ (X13/8).

\*\* Limit frequency = 1MHz for Compax3M (higher bandwidths on request)

The motor performs automatic commutation after:

- ◆ Power on,
- ◆ A configuration download or
- ◆ An IEC program download

The time duration (typically 5-10 sec) of automatic commutation can be optimized with the start current (see in the optimization display of the C3 ServoManager; given as a percentage of the reference current). Note that values that are too high will cause Error 0x73A6 to be triggered.

Typically the motor moves by 4% of the pitch length or, with rotary direct drives 4% of 360°/number of pole pairs - maximum 50%.

#### **Note the following conditions for automatic commutation**

- ◆ During automatic commutation the end limits are not monitored.
- ◆ Actively working load torques are not permitted during automatic commutation.
- ◆ Static friction deteriorates the effect of automatic commutation.
- ◆ With the exception of missing commutation information, the controller/motor combination is configured and ready for operation (parameters correctly assigned for the linear motor/drive). The transmitter and the direction of the field of rotation in effect must match.
- ◆ The auto-commutating function must be adapted to fit the mechanics if necessary during commissioning.

### 10.1.1.2 Linear motors

Parker offers you a number of systems of linear motor drives:

<u>Linear motors</u>	Feed force (continuous/dynamic)	Stroke length:
<b>LMDT ironless linear servo motors:</b>	26 ... 1463N	almost any
<b>LMI iron-cored linear servo motors:</b>	52 ... 6000N	64 ... 999mm
<b>LXR Series Linear Motors</b>	315N / 1000N	up to 3m
<b>Linear motor module BLMA:</b>	605N / 1720N	up to 6m

### 10.1.1.3 Torque motors

Parker offers you an extensive range of torque motors that can be adapted to your application. Please contact us for information.

Additional information can be found on the **Internet** <http://www.parker-eme.com> in the direct drives section.

## 10.1.2. Rotary servo motors

Parker offers you an extensive range of servo motors that can be adapted to your application. Please contact us for information.

Additional information can be found on the **Internet** <http://www.parker-eme.com/sm>

or on the DVD supplied in the documentations file.

Suitable servo motors for Compax3H are available on request!

## 10.2 EMC measures

**In this chapter you can read about:**

Mains filter.....	348
Motor output filter.....	353
Mains filters.....	354

### 10.2.1. Mains filter

For radio disturbance suppression and for complying with the emission limit values for CE conform operation we offer mains filters:

Observe the maximum permitted length of the connection between the mains filter and the device:

- ◆ unshielded <0.5m;
- ◆ shielded: <5m (fully shielded on ground e.g. ground of control cabinet)

#### Order code mains filter Compax3S

			/		
for C3S025V2 or S063V2	NFI	0 1	/	0 1	
for C3S0xxV4, S150V4 or S1xxV2	NFI	0 1	/	0 2	
for C3S300V4	NFI	0 1	/	0 3	

#### Order Code mains filter PSUP

			/		
for PSUP10	Reference axis combination 3x480V 25A 6x10m motor cable length	NFI	0 3	/	0 1
for PSUP10	Reference axis combination 3x480V 25A 6x50m motor cable length	NFI	0 3	/	0 2
for PSUP20 & PSUP30	Reference axis combination 3x480V 50A 6x50m motor cable length	NFI	0 3	/	0 3

#### Order code for mains filters

for PSUP30	Mains filter	LCG-0055-0.45 mH
for PSUP30	Mains filter with UL approval	LCG-0055-0.45 mH-UL

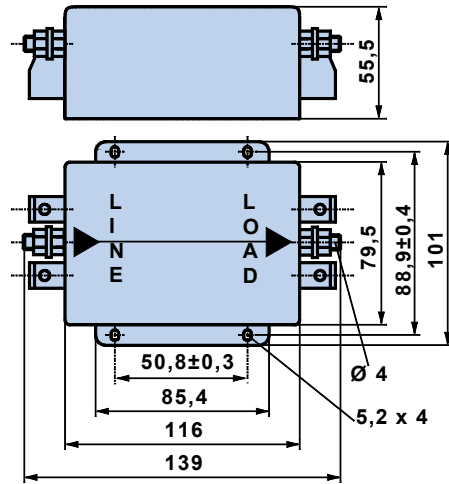
#### Order code mains filter Compax3H

			/		
for C3H050V4	NFI	0 2	/	0 1	
for C3H090V4	NFI	0 2	/	0 2	
for C3H1xxV4	NFI	0 2	/	0 3	

10.2.1.1 **Mains filter NFI01/01**

for Compax3 S025 V2 and Compax3 S063 V2

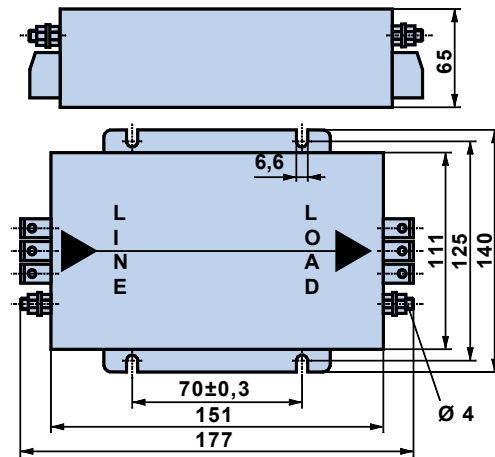
Dimensional drawing:



10.2.1.2 **Mains filter NFI01/02**

for Compax3 S0xx V4, Compax3 S150 V4 and Compax3 S1xx V2

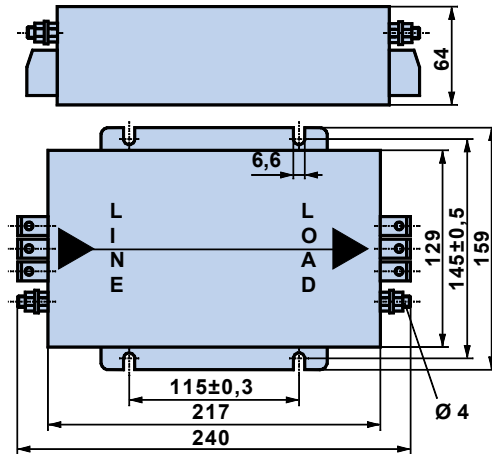
Dimensional drawing:



### 10.2.1.3 Mains filter for NFI01/03

#### for Compax3 S300

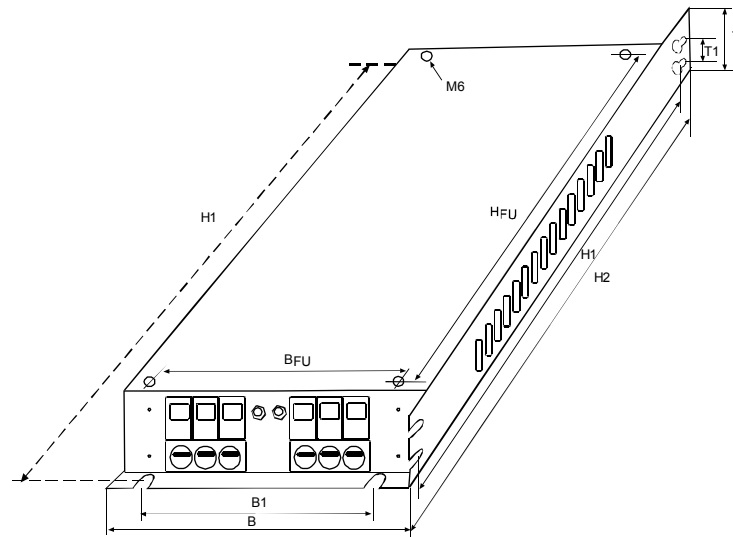
Dimensional drawing:



### 10.2.1.4 Mains filter NFI02/0x

#### Filter for mounting below the Compax3 Hxxx V4 housing

Dimensional drawing:



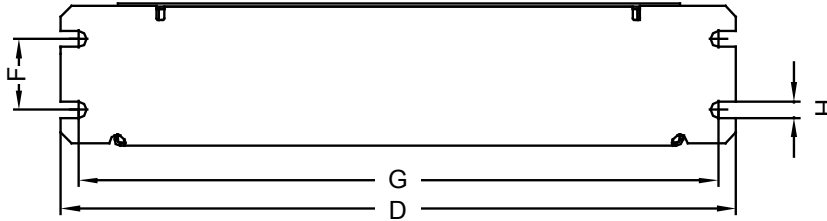
Stated in mm	Filter type	Dimensions				Hole distances			Distances		Weight kg	Grounding clamp	Connection clamp
		B	H	H2	T	B1	H1	T1	BFU	HF U			
C3H050V4	NFI02/01	233	515	456	70	186	495	40	150	440	4.3	M6	16mm <sup>2</sup>
C3H090V4	NFI02/02	249	715	649	95	210	695	40	150	630	8.5	M8	50mm <sup>2</sup>
C3H1xxV4	NFI02/03	249	830	719	110				150	700	15.0	M10	95mm <sup>2</sup>

10.2.1.5 Mains filter NFI03/01& NFI03/03

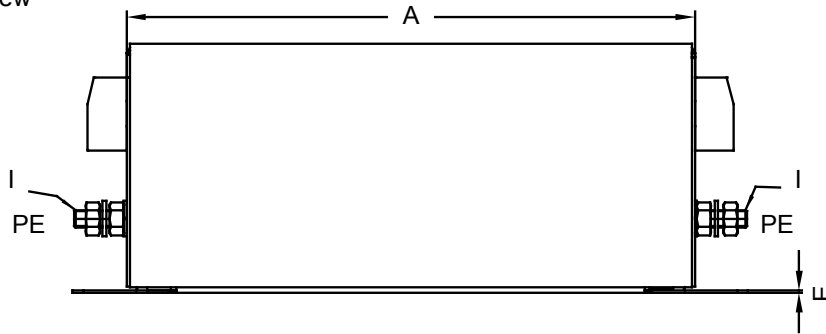
for PSUP10D6 and PSUP20D6

Dimensional drawing:

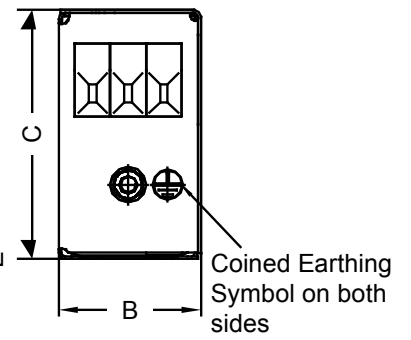
Bottom view



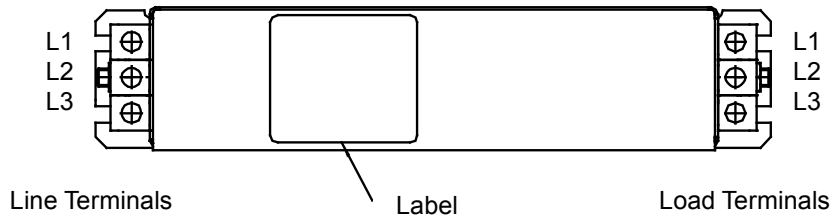
Side view



Front view



Top view



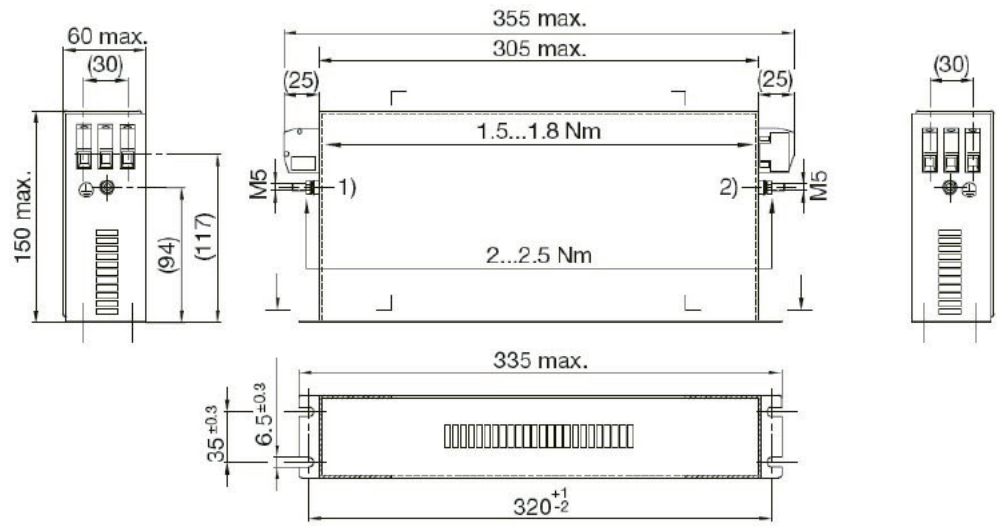
Filter type									Weight	GND(I)	Connection clamp
	A	B	C	D	I	F	G	H	kg		
NFI03/01	240	50	85	270	0.8	30	255	5.4	1.5	M5	10mm <sup>2</sup>
NFI03/03	220	85	90	250	1.0	60	235	5.4	2.4	M6	16mm <sup>2</sup>

Stated in mm

10.2.1.6 Mains filter NFI03/02

for PSUP10D6

Dimensional drawing:





## 10.2.2. Motor output filter

**In this chapter you can read about:**

Motor output filter MDR01/04.....	353
Motor output filter MDR01/01.....	353
Motor output filter MDR01/02.....	354
Wiring of the motor output filter.....	354

We offer motor output filters for disturbance suppression when the motor connecting cables are long (>20m):

**Order code for motor output filter (for Compax3S, Compax3M >20m motor cable)**

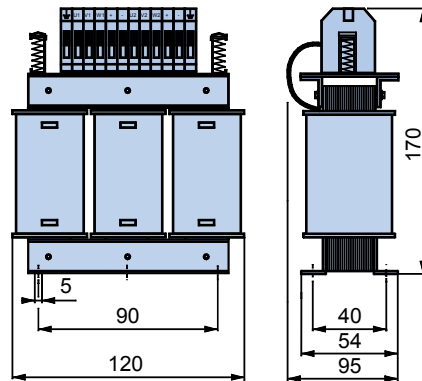
up to 6,3 A rated motor current	MDR	0	1	/	0 4
Up to 16 A rated motor current	MDR	0	1	/	0 1
Up to 30A A rated motor current	MDR	0	1	/	0 2

Larger motor output filters are available on request!

### 10.2.2.1 Motor output filter MDR01/04

**up to 6.3A nominal motor current (3.6mH)**

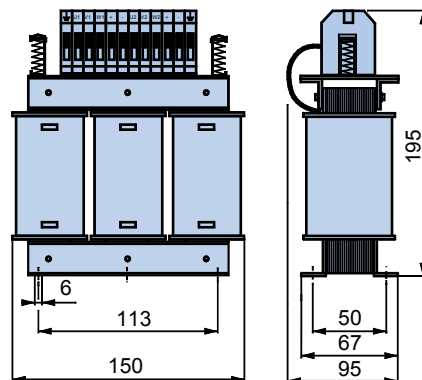
Dimensional drawing:



### 10.2.2.2 Motor output filter MDR01/01

**Up to 16 A nominal motor current (2mH)**

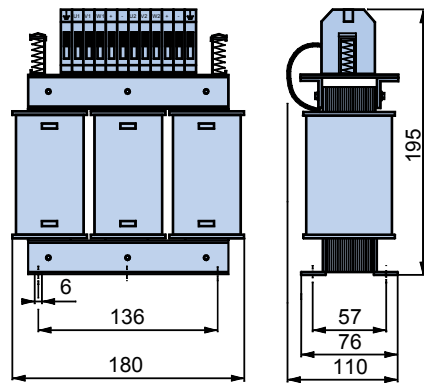
Dimensional drawing:



### 10.2.2.3 Motor output filter MDR01/02

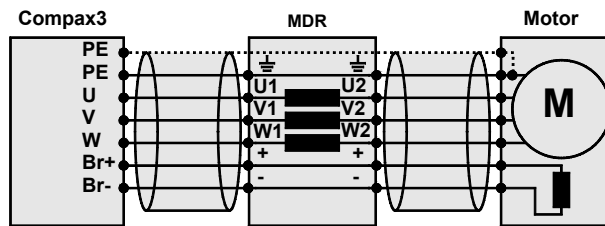
up to 30A nominal motor current (1.1mH)

Dimensional drawing:



Weight: 5.8kg

### 10.2.2.4 Wiring of the motor output filter



## 10.2.3. Mains filters

In this chapter you can read about:

Mains filter for PSUP30 ..... 354

Mains filters serve for reducing the low-frequency interferences on the mains side.

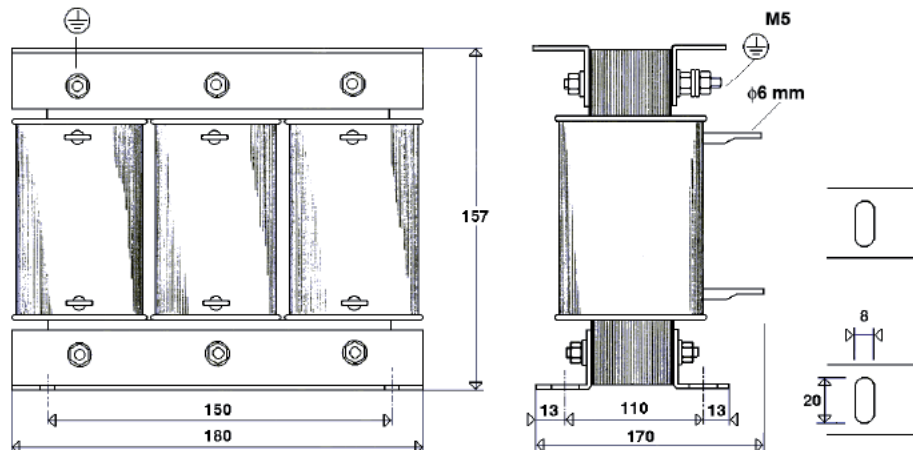
### 10.2.3.1 Mains filter for PSUP30

**Required mains filter for the PSUP30:** 0.45 mH / 55 A

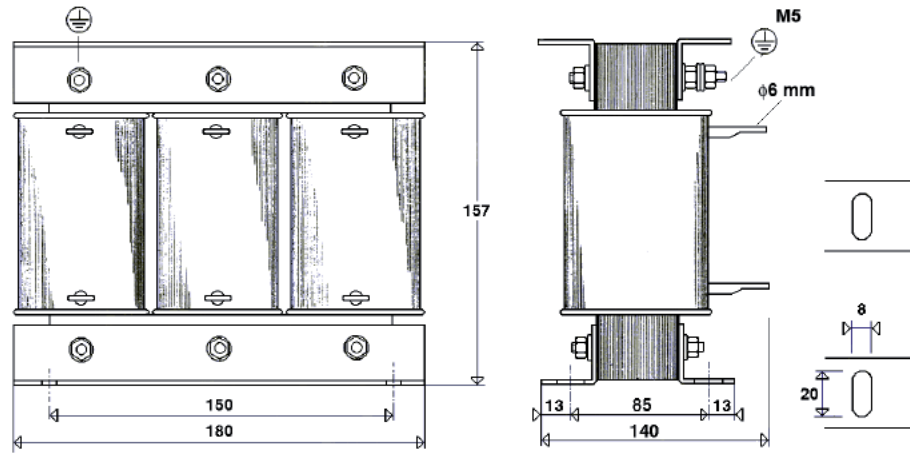
We offer the following mains filters:

- ◆ LCG-0055-0.45 mH (WxDxH: 180 mm x 140 mm x 157 mm; 10 kg)
- ◆ LCG-0055-0.45 mH-UL (with UL approval) (WxDxH: 180 mm x 170 mm x 157 mm; 15 kg)

Dimensional drawing: LCG-0055-0.45 mH



**Dimensional drawing: LCG-0055-0.45 mH-UL**



## 10.3 Connections to the motor

**In this chapter you can read about:**

Resolver cable.....	357
SinCos© cable.....	358
EnDat cable.....	358
Motor cable.....	359
Encoder cable .....	360

Under the designation "REK.." (resolver cables) and "MOK.."(motor cables) we can deliver motor connecting cables in various lengths to order. If you wish to make up your own cables, please consult the cable plans shown below:

**Motor cable order code <sup>(2)</sup>**

for SMH / MH56 / MH70 / MH105 <sup>(3)</sup>	(1.5mm <sup>2</sup> ; up to 13.8A)	MOK	5	5	/	...	... <sup>(1)</sup>
for SMH / MH56 / MH70 / MH105 <sup>(3)</sup>	(1.5mm <sup>2</sup> ; up to 13.8A) (cable chain compatible)	MOK	5	4	/	...	... <sup>(1)</sup>
for SMH / MH56 / MH70 / MH105 <sup>(3)</sup>	(2.5mm <sup>2</sup> ; up to 18.9A)	MOK	5	6	/	...	... <sup>(1)</sup>
for SMH / MH56 / MH70 / MH105 <sup>(3)</sup>	(2.5mm <sup>2</sup> ; up to 18.9A) (cable chain compatible)	MOK	5	7	/	...	... <sup>(1)</sup>
for MH145 / MH205 <sup>(4)</sup>	(1.5mm <sup>2</sup> ; up to 13.8A)	MOK	6	0	/	...	... <sup>(1)</sup>
for MH145 / MH205 <sup>(4)</sup>	(1.5mm <sup>2</sup> ; up to 13.8A) (cable chain compatible)	MOK	6	3	/	...	... <sup>(1)</sup>
for MH145 / MH205 <sup>(4)</sup>	(2.5mm <sup>2</sup> ; up to 18.9A)	MOK	5	9	/	...	... <sup>(1)</sup>
for MH145 / MH205 <sup>(4)</sup>	(2.5mm <sup>2</sup> ; up to 18.9A) (cable chain compatible)	MOK	6	4	/	...	... <sup>(1)</sup>
for MH145 / MH205 <sup>(4)</sup>	(6mm <sup>2</sup> ; up to 32.3A) (cable chain compatible)	MOK	6	1	/	...	... <sup>(1)</sup>
for MH145 / MH205 <sup>(4)</sup>	(10mm <sup>2</sup> ; up to 47.3A) (cable chain compatible)	MOK	6	2	/	...	... <sup>(1)</sup>

<sup>(x)</sup> **Note on cable** (see on page 344)

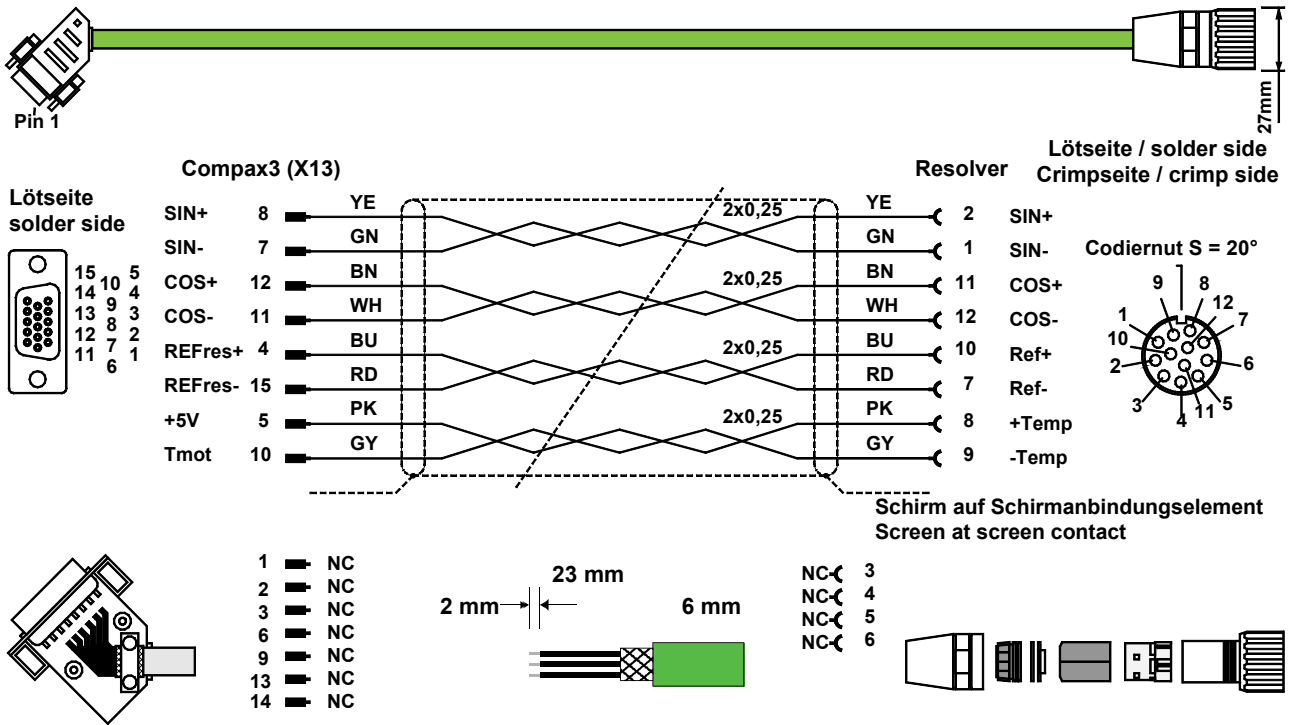
**Order code for feedback cables**

for resolver <sup>(2)</sup>	for MH / SMH motors	REK	4	2	/	...	... <sup>(1)</sup>
for resolver <sup>(2)</sup>	for MH / SMH motors (cable chain compatible)	REK	4	1	/	...	... <sup>(1)</sup>
for SinCos© – feedback <sup>(2)</sup>	for MH / SMH motors (cable chain compatible)	GBK	2	4	/	..	... <sup>(1)</sup>
for EnDat 2.1 <sup>(2)</sup>	for MH / SMH motors (cable chain compatible)	GBK	3	8	/	..	... <sup>(1)</sup>
Encoder – Compax3		GBK	2	3	/	...	... <sup>(1)</sup>
for LXR linear motors	(cable chain compatible)	GBK	3	3	/	...	... <sup>(1)</sup>
for BLMA linear motors	(cable chain compatible)	GBK	3	2	/	...	... <sup>(1)</sup>

<sup>(x)</sup> **Note on cable** (see on page 344)

### 10.3.1. Resolver cable

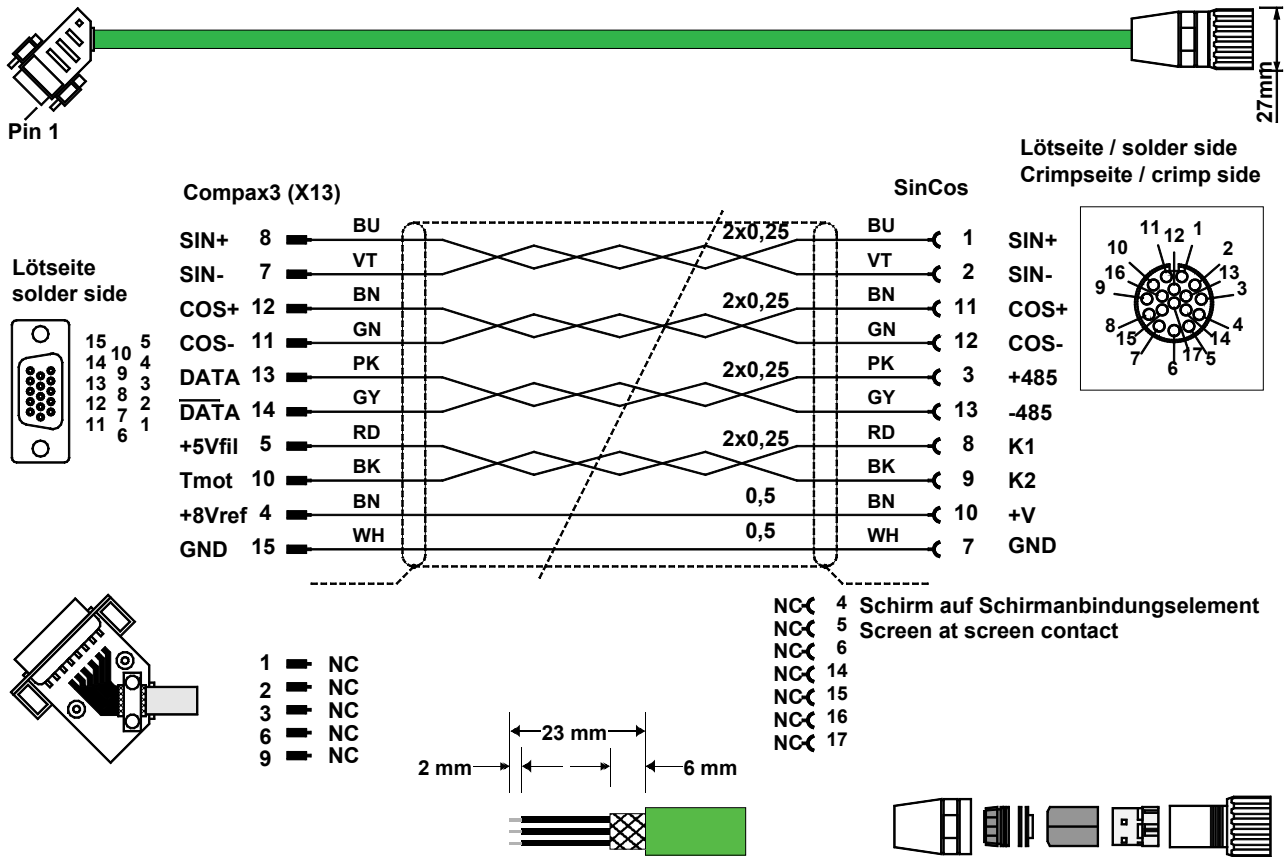
**REK42/..**



The same cable (with changed conductor coloring) is available under the designation REK41/.. in a version which is suitable for cable chain systems. You can find the length code in the Chapter **Order Code Accessories** (see on page 341).

### 10.3.2. SinCos© cable

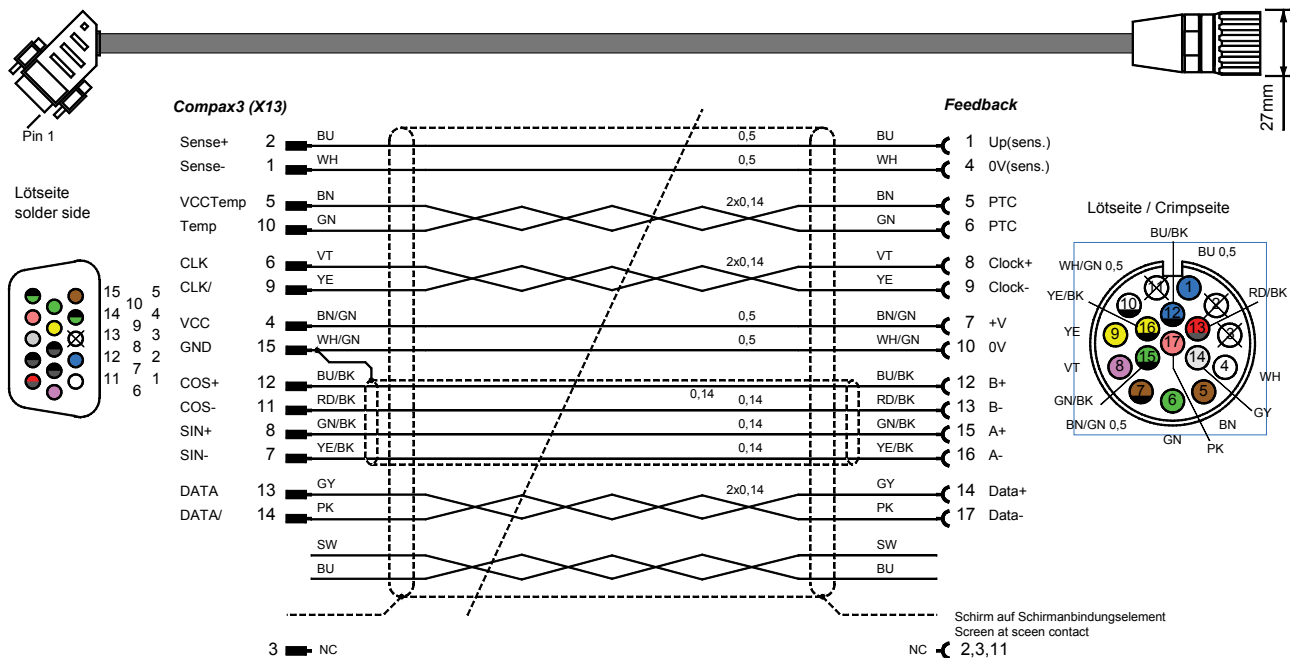
**GBK24/...: Cable chain compatible**



You can find the length code in the Chapter **Order Code Accessories** (see on page 341).

### 10.3.3. EnDat cable

**GBK38/...: (cable chain compatible)**

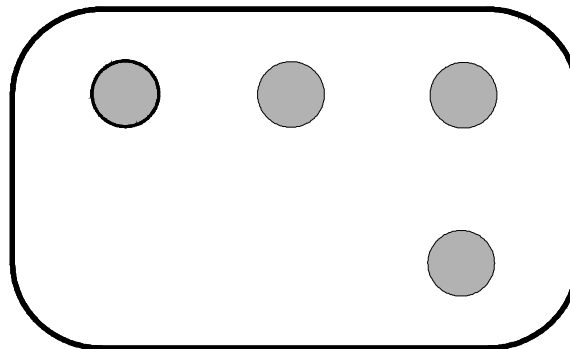


You can find the length code in the Chapter **Order Code Accessories** (see on page 341).

### 10.3.4. Motor cable

Cross-section / max. permanent load	Motor connector SMH motors MH56, MH70, MH105		Motor terminal box MH145, MH205	
	standard	cable chain compatible	standard	cable chain compatible
1.5 mm <sup>2</sup> / up to 13.8 A	MOK55	MOK54	MOK60	MOK63
2.5 mm <sup>2</sup> / up to 18.9 A	MOK56	MOK57	MOK59	MOK64
6 mm <sup>2</sup> / up to 32.3 A	-	-	-	MOK61
10 mm <sup>2</sup> / up to 47.3 A		--	-	MOK62

#### 10.3.4.1 Connection of terminal box MH145 & MH205



Terminal	Assignment
A	Phase U
B	Phase V
C	Phase W
E	Protective earth terminal
F	Brake (+ red for MH205)
G	Brake (- blue for MH205)

Additional designations can be found on the connection cable clamping board - motor (internal).

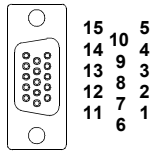
### 10.3.5. Encoder cable

GBK23/... Connection Compax3 - Encoder



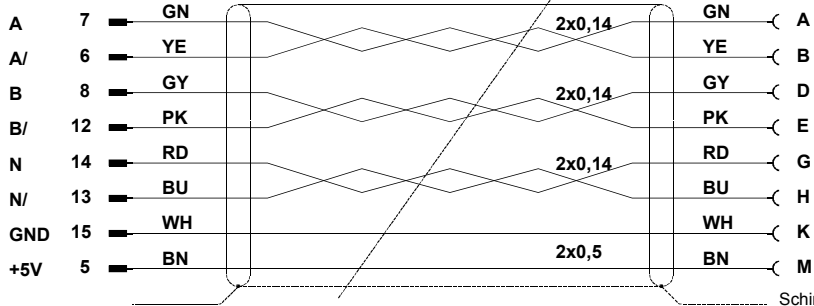
Pin 1

Lötseite solder side

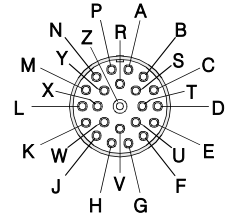


Compax3 (X11)

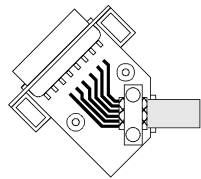
Encoder



Lötseite / Crimpseite

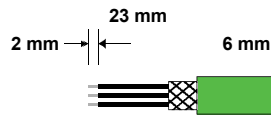


Schirm auf Schirmanbindungselement  
Screen at screen contact



- 1 — NC
- 2 — NC
- 3 — NC
- 4 — NC
- 9 — NC
- 10 — NC
- 11 — NC

- NC- U NC- C
- NC- V NC- F
- NC- W NC- J
- NC- X NC- L
- NC- Y NC- N
- NC- Z NC- P
- NC- R
- NC- S
- NC- T



You can find the length code in the **Order Code Accessories** (see on page 341)



## 10.4 External braking resistors

### In this chapter you can read about:

Permissible braking pulse powers of the braking resistors .....	362
Dimensions of the braking resistors .....	371



#### **Danger!**

#### **Hazards when handling ballast resistors!**

**Housing temperature up to 200°C!**

**Dangerous voltage!**

**The device may be operated only in the mounted state!**

The external braking resistors must be installed such that protection against contact is ensured (IP20).

Install the connecting leads at the bottom.

The braking resistors must be grounded.

We recommend to use a thrust washer for the BRM13 and BRM14.

Observe the instructions on the resistors (warning plate).

**Please note that the length of the supply cable must not exceed 2m!**

### **Ballast resistors for Compax3**

Ballast resistor (see on page 361)	Device	Rated output
<b>BRM08/01 (100 Ω)</b>	Compax3S025V2 Compax3S015V4 Compax3S038V4	60 W
<b>BRM05/01 (56 Ω)</b>	Compax3S063V2 Compax3S075V4	180 W
<b>BRM05/02 (56 Ω)</b>	Compax3S075V4	570 W
<b>BRM10/01 (47 Ω)</b>	Compax3S150V4	570 W
<b>BRM10/02 (47 Ω)</b>	Compax3S150V4	1500 kW
<b>BRM04/01 (15 Ω)</b>	Compax3S150V2 Compax3S300V4 PSUP20D6	570 W
<b>BRM04/02 (15 Ω)</b>	Compax3S150V2 Compax3S300V4 PSUP20D6	740 W
<b>BRM04/03 (15 Ω)</b>	Compax3S300V4 PSUP20D6	1500 W
<b>BRM09/01 (22 Ω)</b>	Compax3S100V2	570 W
<b>BRM11/01 (27 Ω)</b>	Compax3H0xxV4	3500 W
<b>BRM13/01 (30 Ω)</b>	PSUP10D6 PSUP20D6** PSUP30D6**	500 W
<b>BRM14/01 (15 Ω)</b>	PSUP10D6* PSUP20D6 PSUP30D6	500 W
<b>BRM12/01 (18 Ω)</b>	Compax3H1xxV4 PSUP30D6	4500 W

\*for PSUP10D6 2x15Ω in series

\*\*for PSUP20D6 and PSUP30D6 2x30Ω parallel

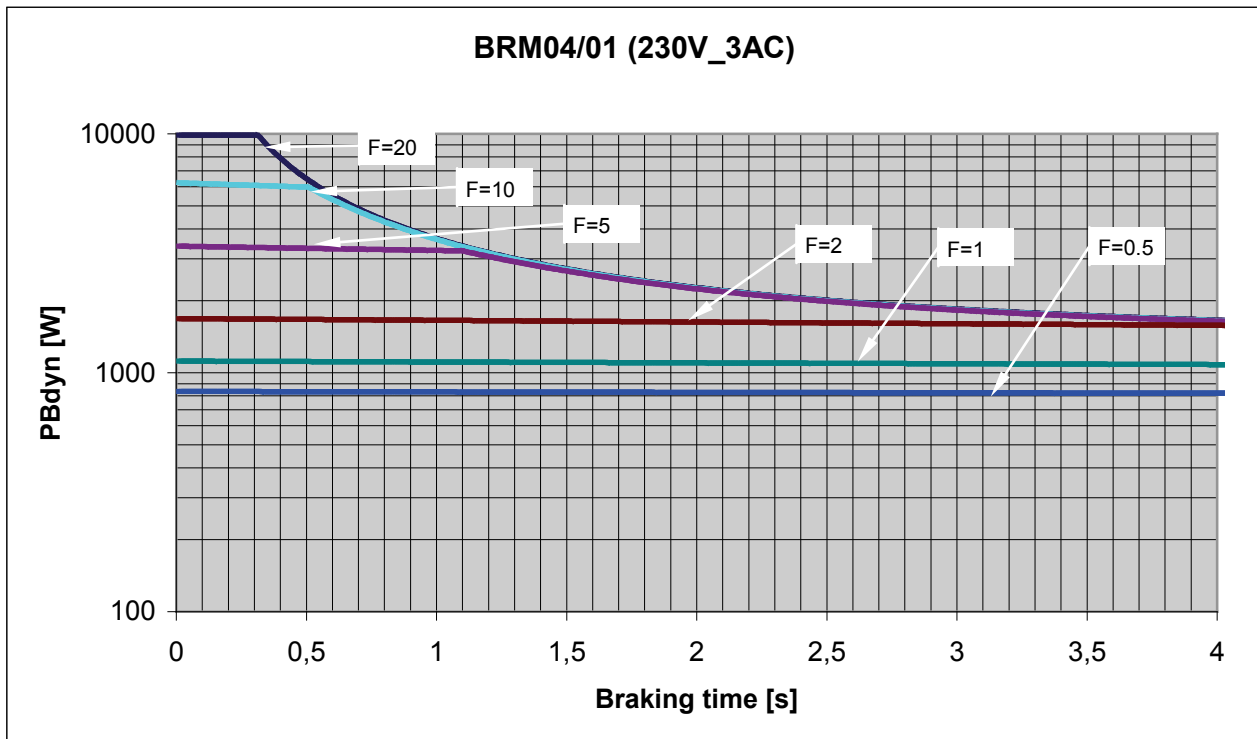
### 10.4.1. Permissible braking pulse powers of the braking resistors

In this chapter you can read about:

Calculation of the BRM cooling time .....	362
Permissible braking pulse power: BRM08/01 with C3S015V4 / C3S038V4 .....	363
Permissible braking pulse power: BRM08/01 with C3S025V2 .....	364
Permissible braking pulse power: BRM09/01 with C3S100V2 .....	364
Permissible braking pulse power: BRM10/01 with C3S150V4 .....	365
Permissible braking pulse power: BRM10/02 with C3S150V4 .....	365
Permissible braking pulse power: BRM05/01 with C3S063V2 .....	366
Permissible braking pulse power: BRM05/01 with C3S075V4 .....	366
Permissible braking pulse power: BRM05/02 with C3S075V4 .....	367
Permissible braking pulse power: BRM04/01 with C3S150V2 .....	367
Permissible braking pulse power: BRM04/01 with C3S300V4 .....	368
Permissible braking pulse power: BRM04/02 with C3S150V2 .....	368
Permissible braking pulse power: BRM04/02 with C3S300V4 .....	369
Permissible braking pulse power: BRM04/03 with C3S300V4 .....	369
Permissible braking pulse power: BRM11/01 with C3H0xxV4 .....	370
Permissible braking pulse power: BRM12/01 with C3H1xxV4 .....	370
Permissible braking pulse power: BRM13/01 with PSUP10D6 .....	371
Permissible braking pulse power: BRM14/01 with PSUP10D6 .....	371

The diagrams show the permissible braking pulse powers of the braking resistors in operation with the assigned Compax3.

#### 10.4.1.1 Calculation of the BRM cooling time



F = Factor

Cooling time = F \* braking time

Example 1: For a braking time of 1s, a braking power of 1kW is required. The Diagram shows the following:

The required values can be found in the range between characteristic F = 0.5 and F = 1. In order to achieve operating safety, please select the higher factor, this means that the required cooling time is 1s.

F \* Braking time = cooling time

1 \* 1s = 1s

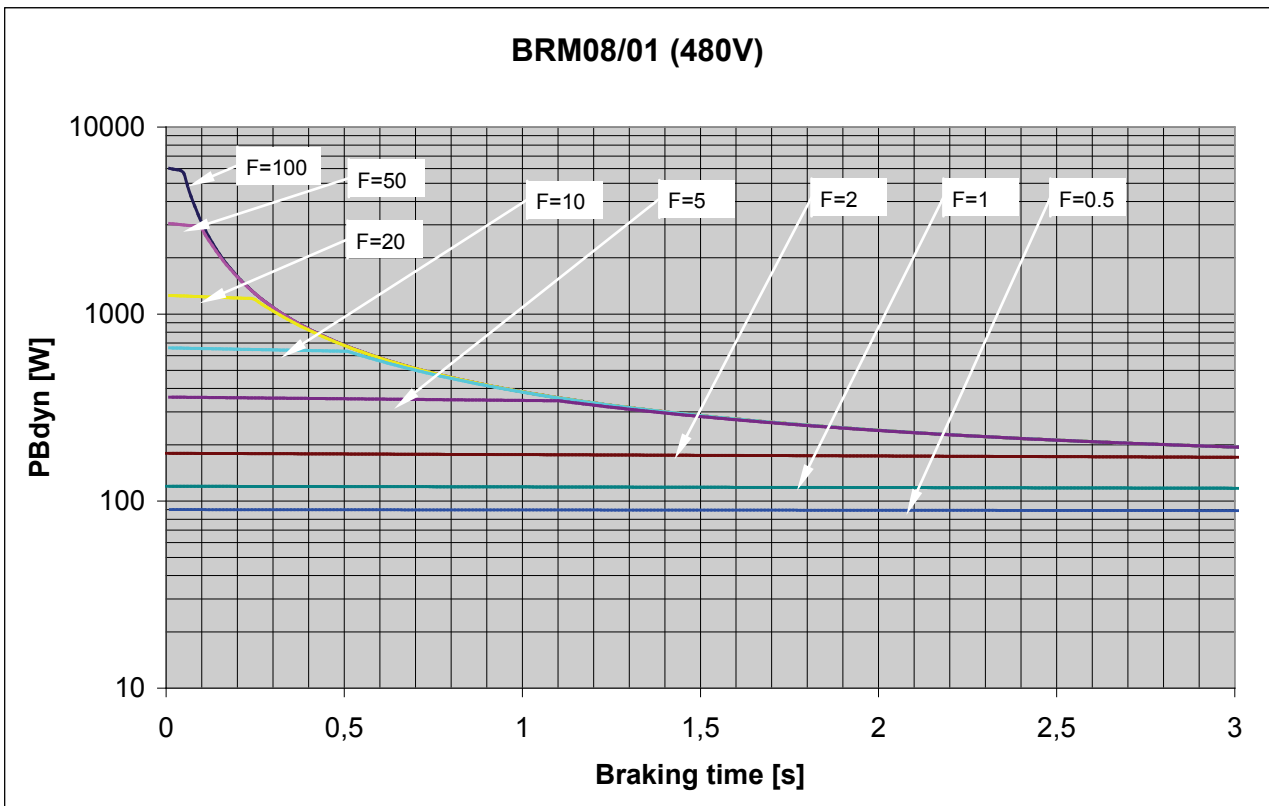
Example 2: For a braking time of 0.5s, a braking power of 3kW is required. The Diagram shows the following:

The required values can be found in the range between characteristic F = 2 and F = 5. In order to achieve operating safety, please select the higher factor, this means that the required cooling time is 2.5s.

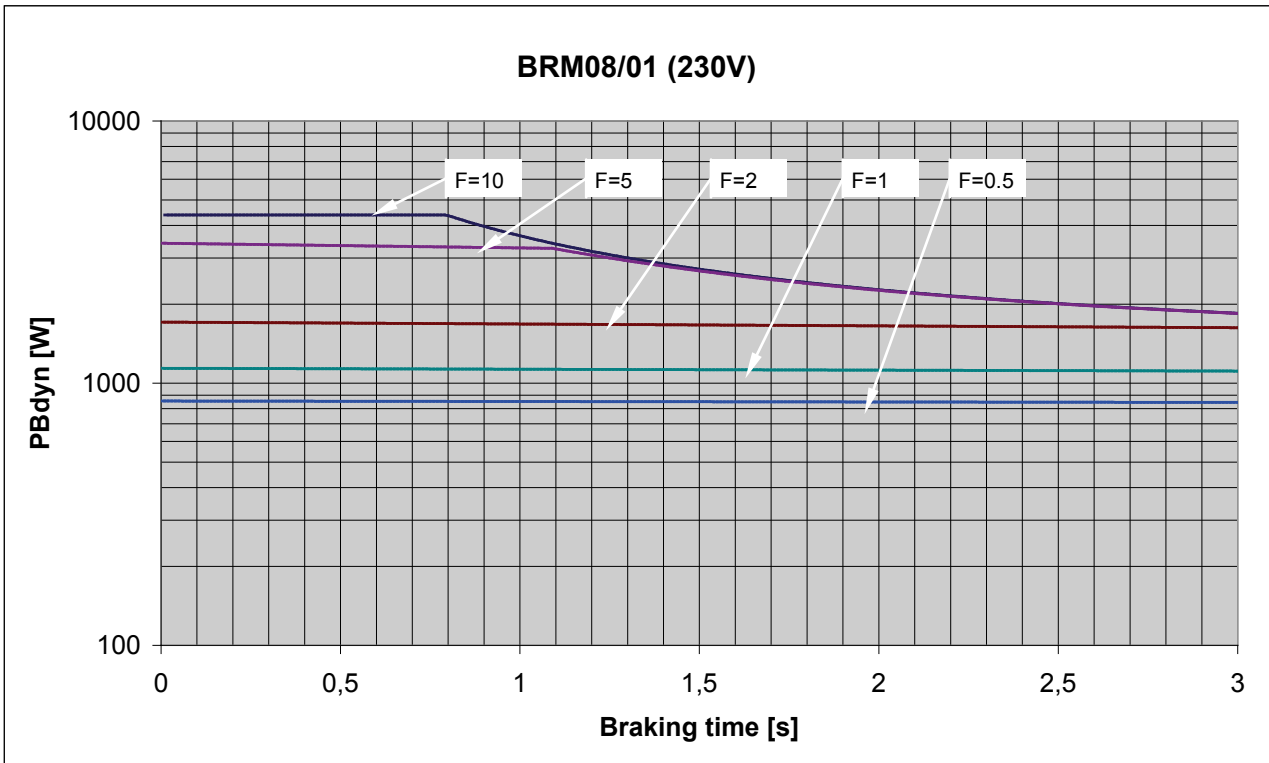
F \* Braking time = cooling time

5 \* 0.5s = 2.5s

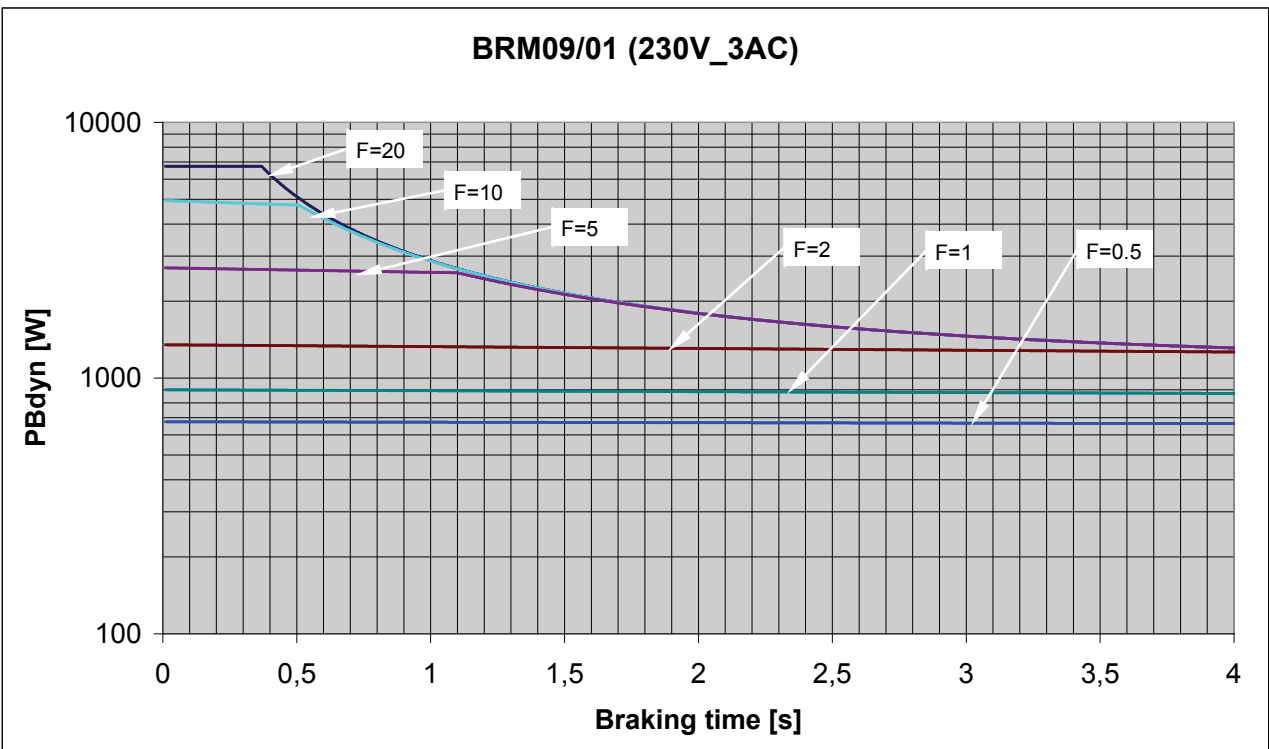
### 10.4.1.2 Permissible braking pulse power: BRM08/01 with C3S015V4 / C3S038V4



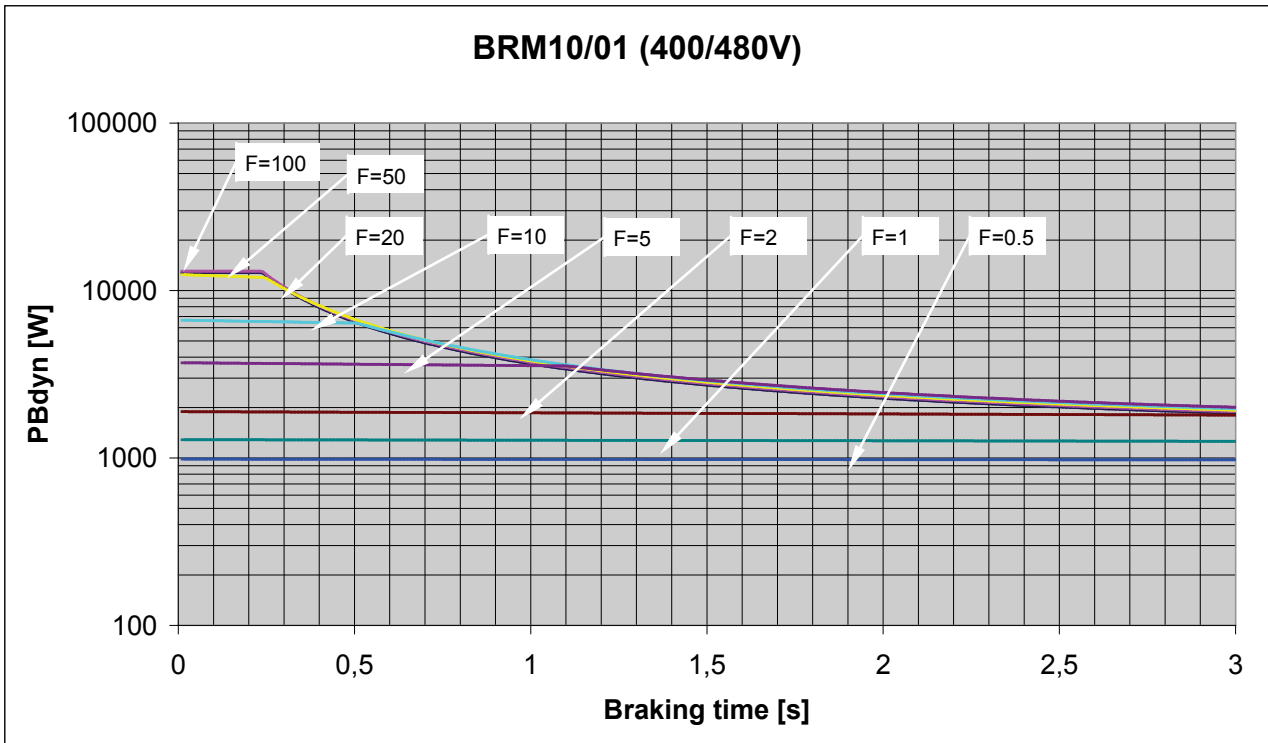
10.4.1.3 Permissible braking pulse power: BRM08/01 with C3S025V2



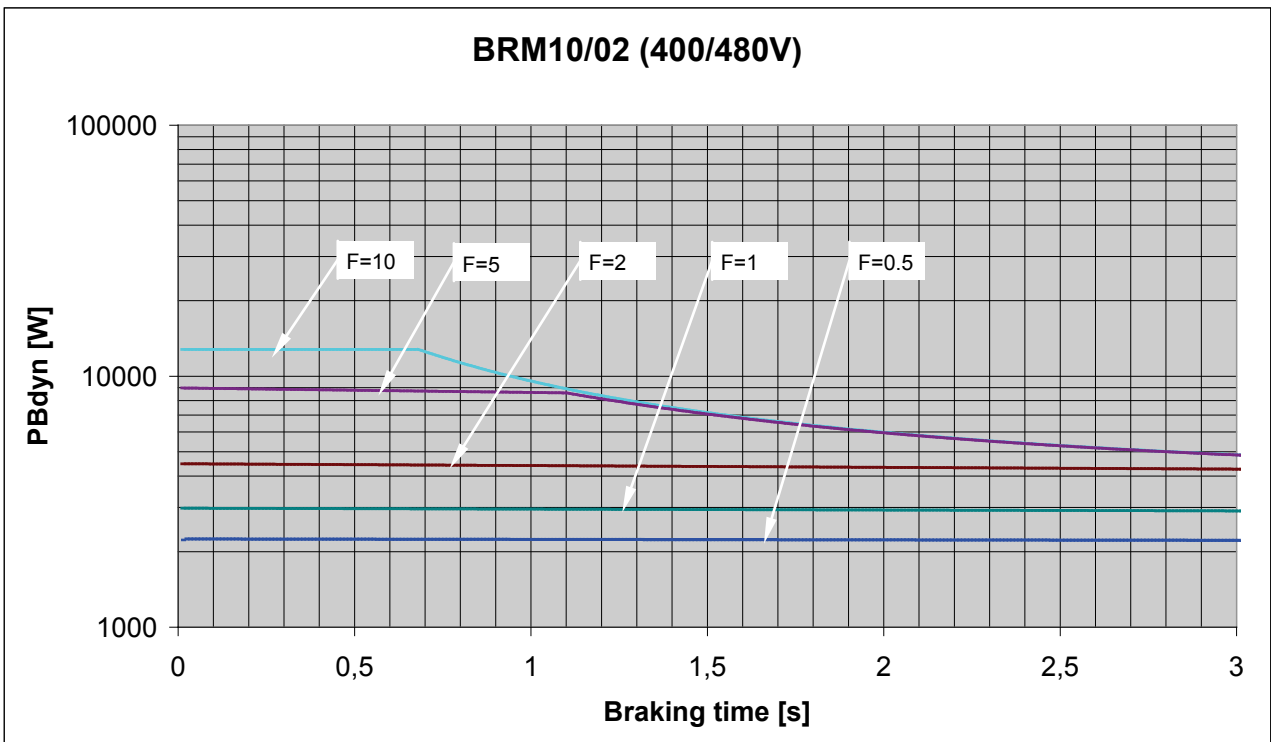
10.4.1.4 Permissible braking pulse power: BRM09/01 with C3S100V2



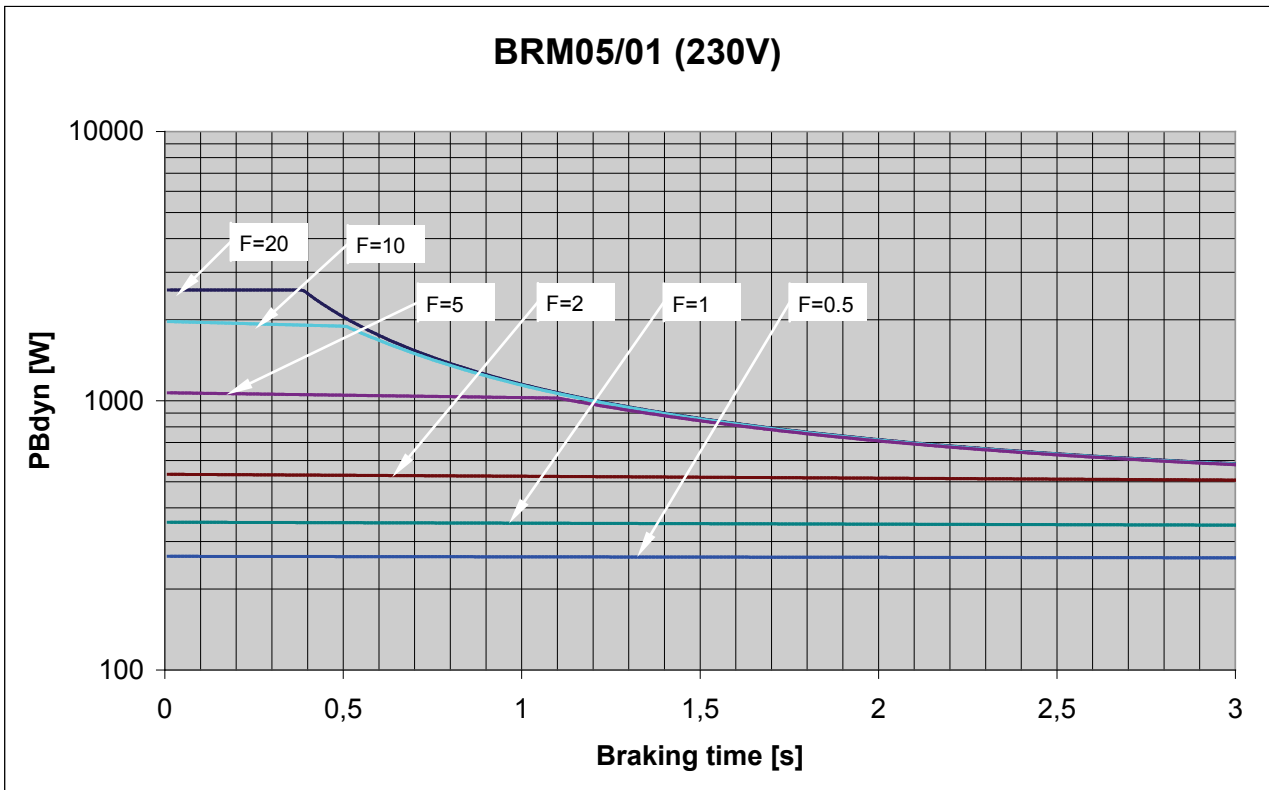
10.4.1.5 Permissible braking pulse power: BRM10/01 with C3S150V4



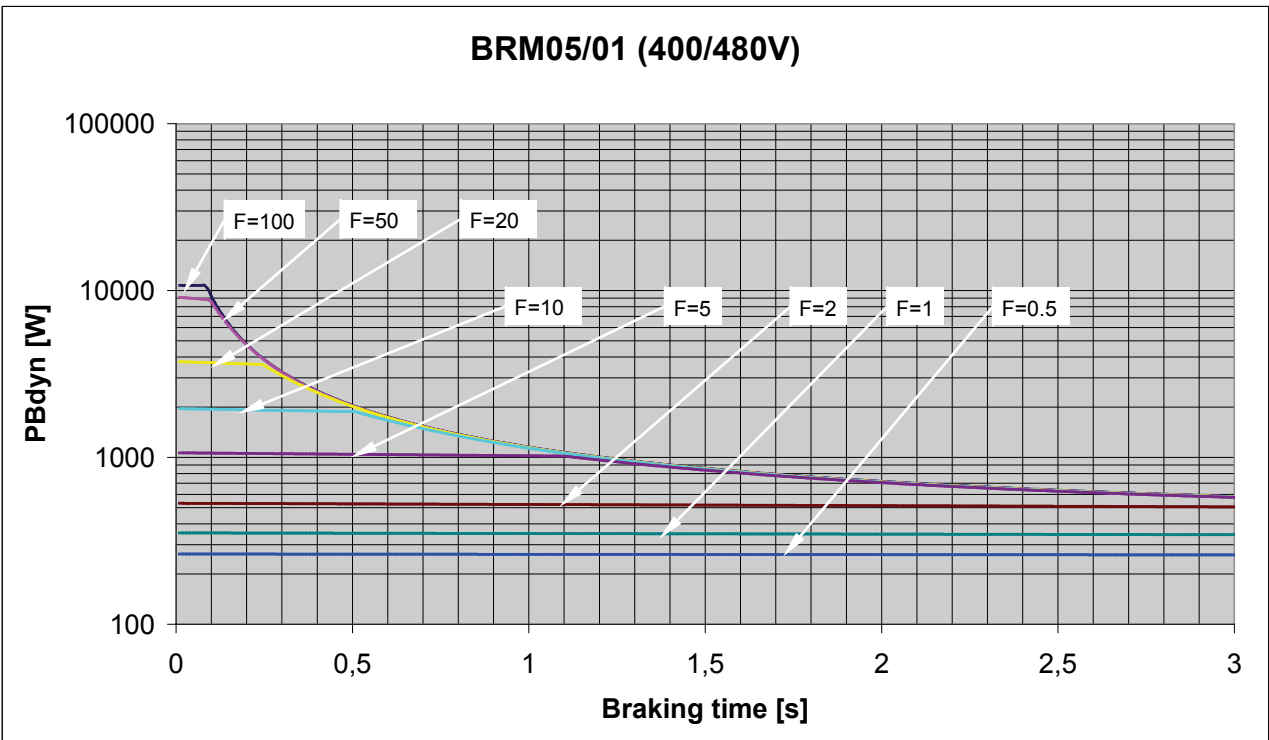
10.4.1.6 Permissible braking pulse power: BRM10/02 with C3S150V4



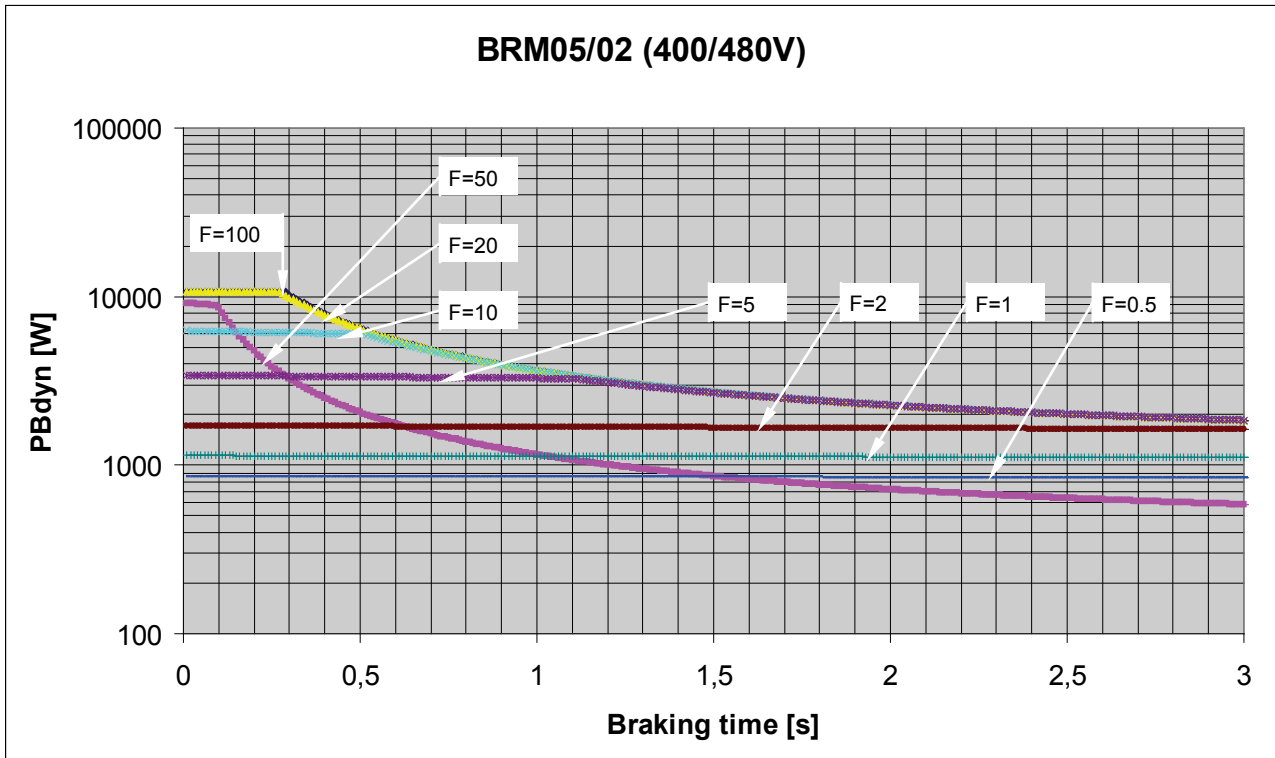
10.4.1.7 Permissible braking pulse power: BRM05/01 with C3S063V2



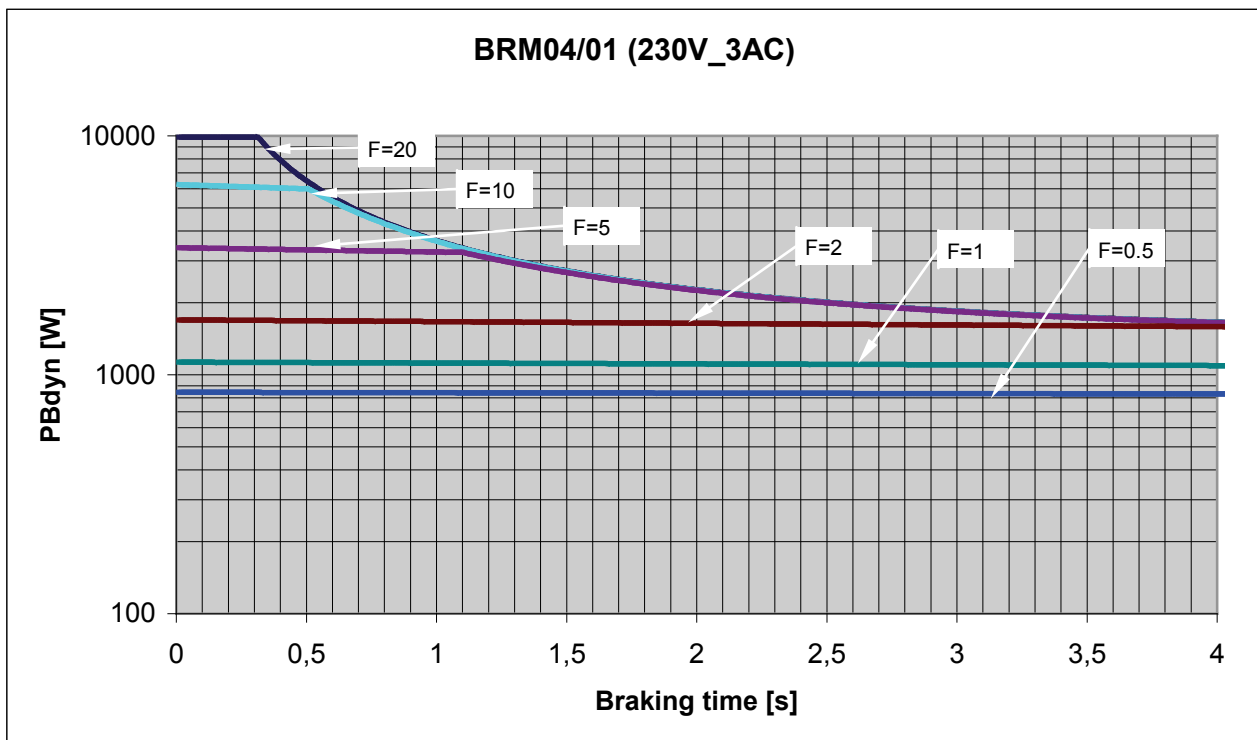
10.4.1.8 Permissible braking pulse power: BRM05/01 with C3S075V4



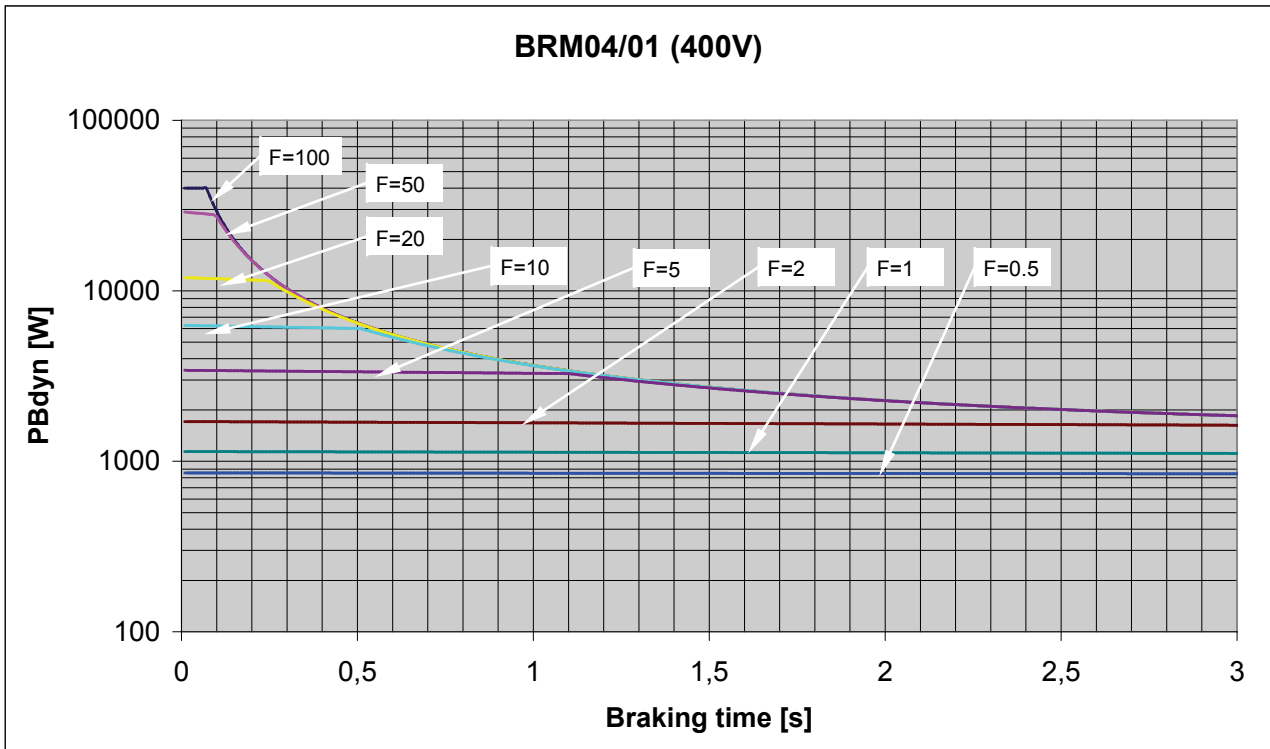
10.4.1.9 Permissible braking pulse power: BRM05/02 with C3S075V4



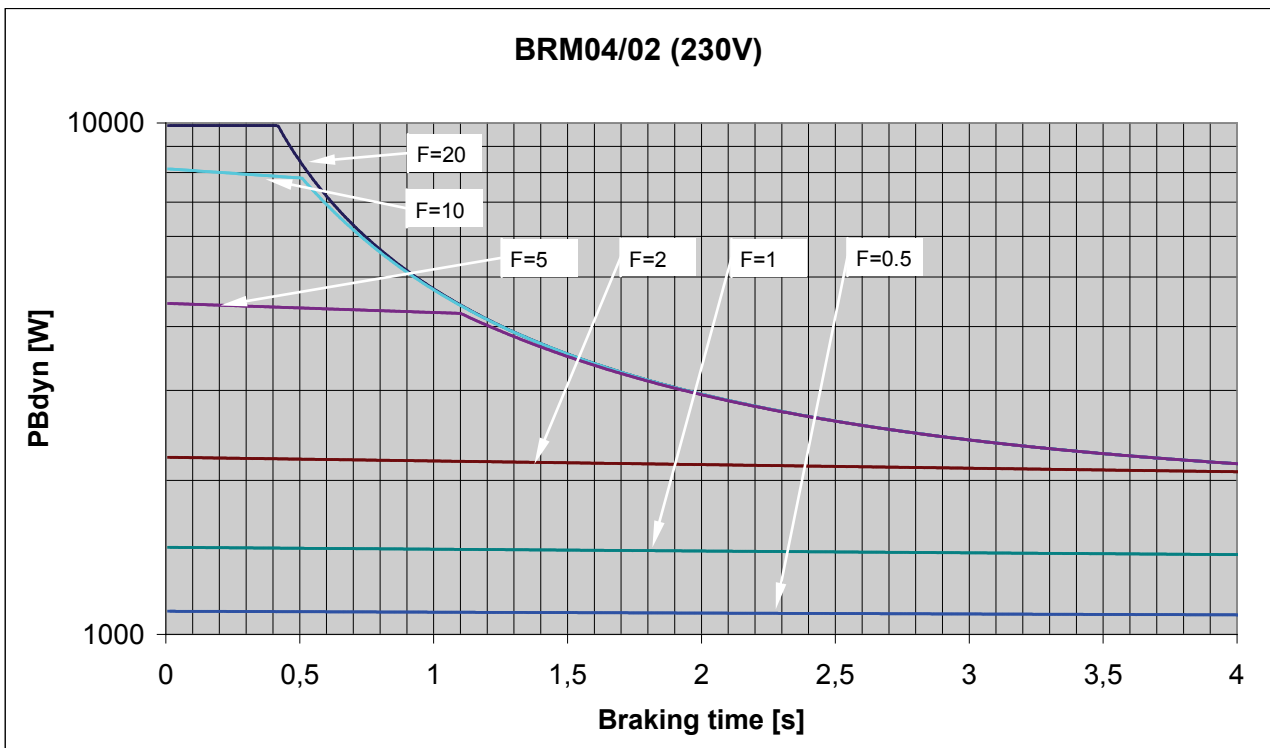
10.4.1.10 Permissible braking pulse power: BRM04/01 with C3S150V2



10.4.1.11 Permissible braking pulse power: BRM04/01 with C3S300V4

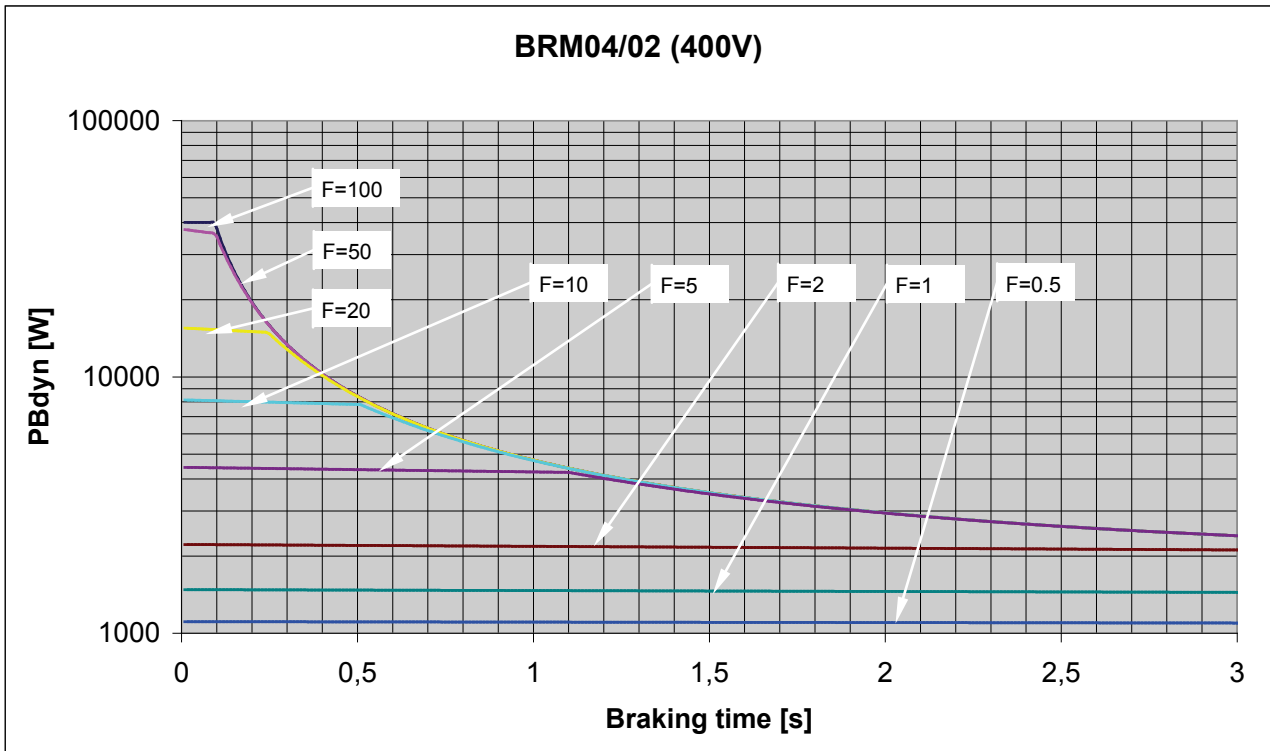


10.4.1.12 Permissible braking pulse power: BRM04/02 with C3S150V2

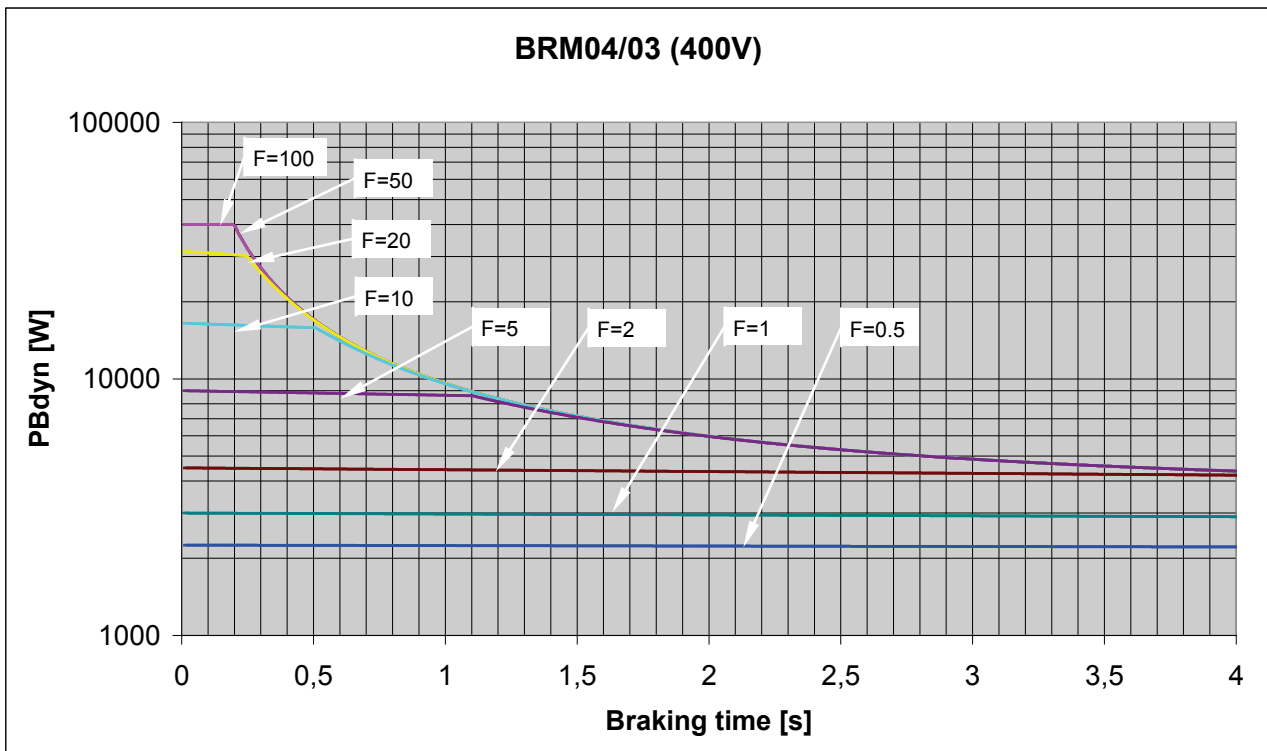




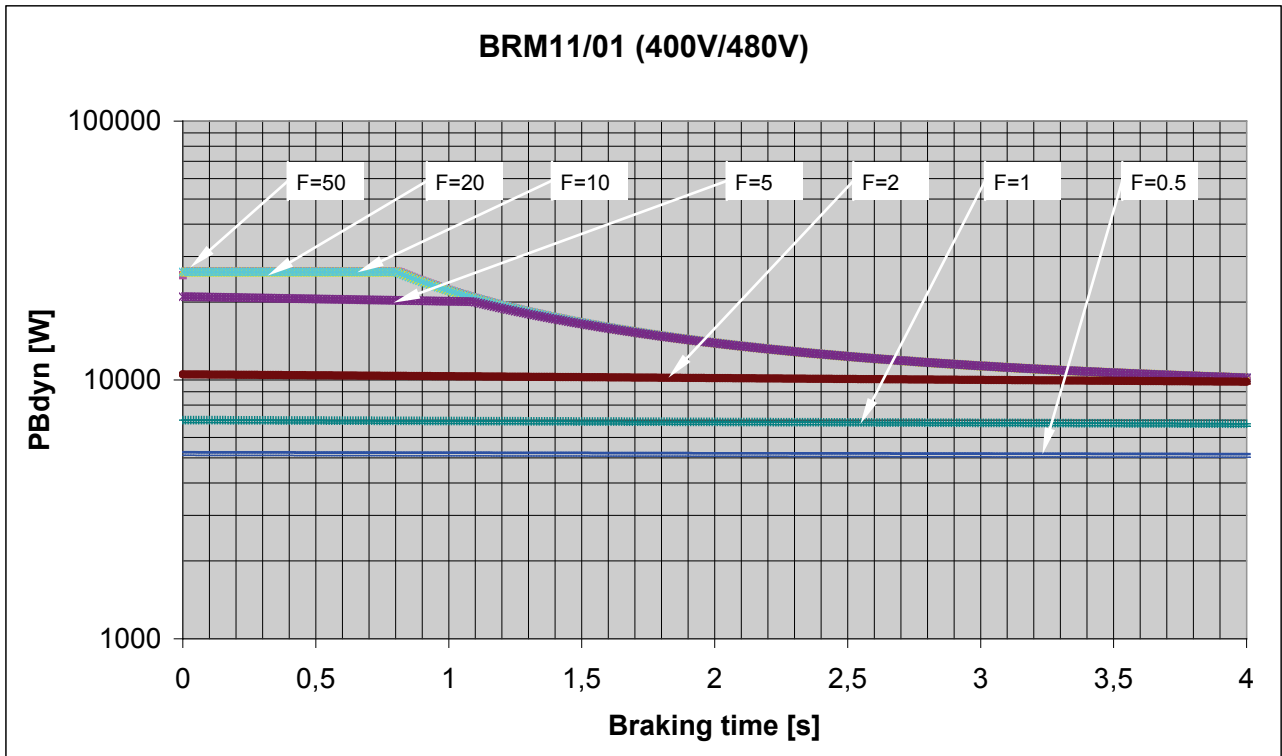
10.4.1.13 Permissible braking pulse power: BRM04/02 with C3S300V4



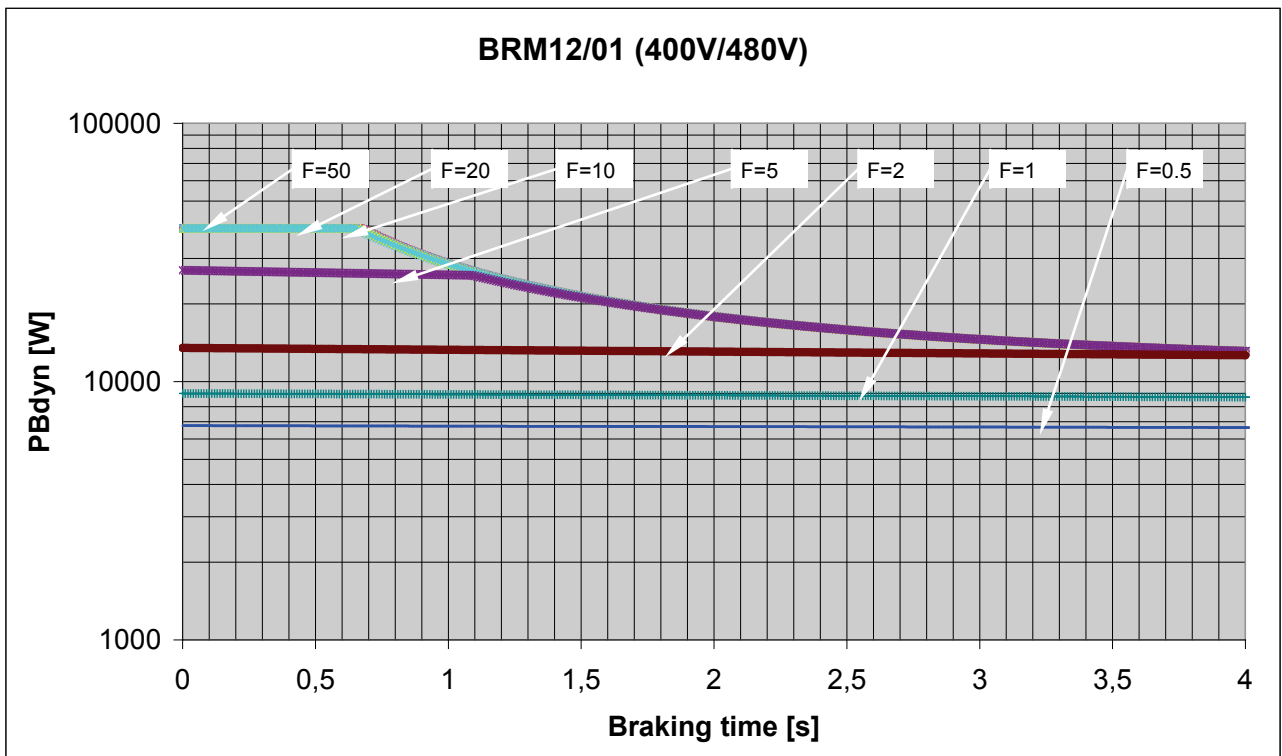
10.4.1.14 Permissible braking pulse power: BRM04/03 with C3S300V4



10.4.1.15 Permissible braking pulse power: BRM11/01 with C3H0xxV4



10.4.1.16 Permissible braking pulse power: BRM12/01 with C3H1xxV4



**10.4.1.17 Permissible braking pulse power: BRM13/01 with PSUP10D6**

on request

**10.4.1.18 Permissible braking pulse power: BRM14/01 with PSUP10D6**

on request

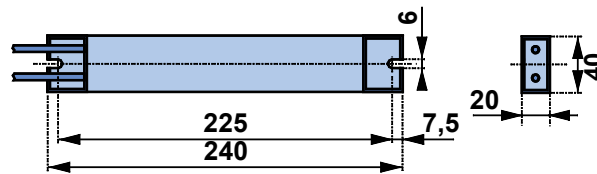
**10.4.2. Dimensions of the braking resistors**

In this chapter you can read about:

BRM8/01braking resistors.....	371
BRM5/01 braking resistor .....	371
Braking resistor BRM5/02, BRM9/01 & BRM10/01 .....	372
Ballast resistor BRM4/0x and BRM10/02 .....	372
Braking resistor BRM11/01 & BRM12/01 .....	373
Ballast resistor BRM13/01 & BRM14/01 .....	373

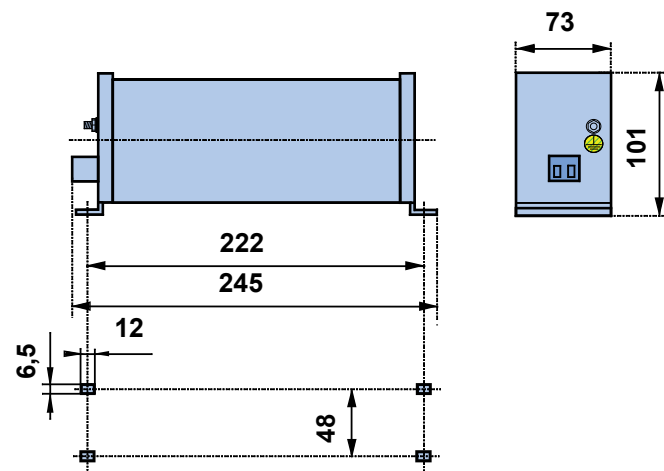
**10.4.2.1 BRM8/01braking resistors**

Dimensional drawing:



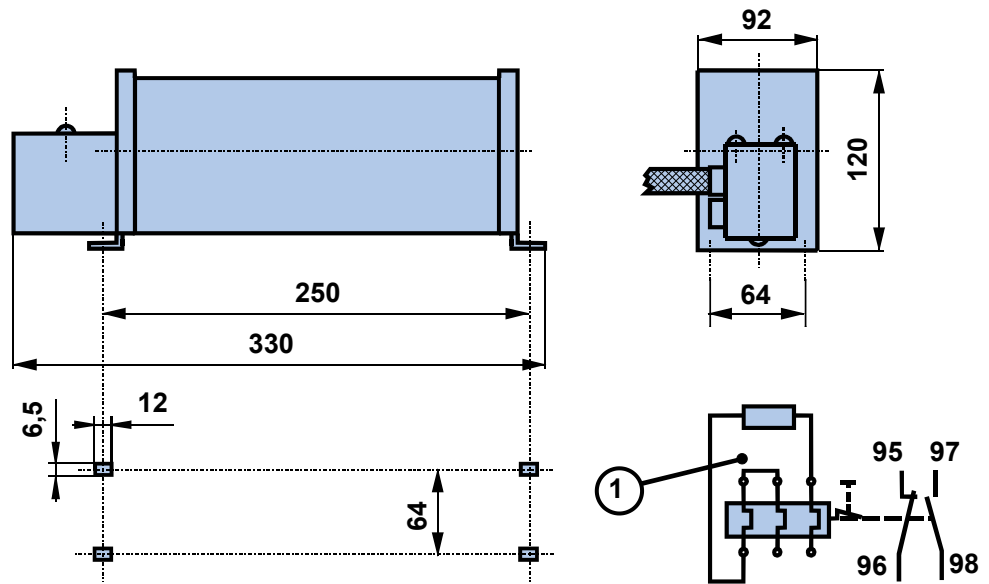
**10.4.2.2 BRM5/01 braking resistor**

Dimensional drawing:



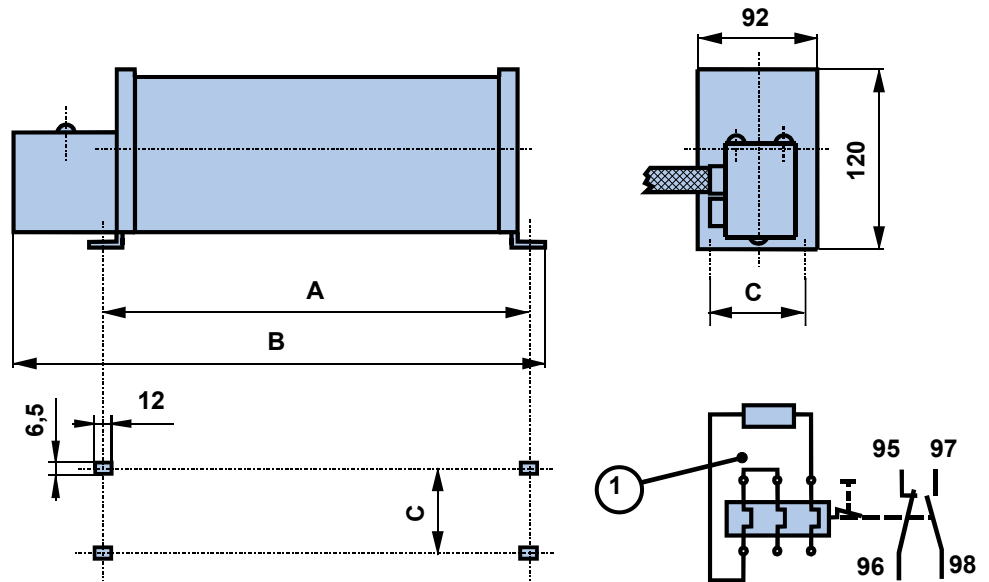
10.4.2.3 **Braking resistor BRM5/02, BRM9/01 & BRM10/01**

Dimensional drawing:



10.4.2.4 **Ballast resistor BRM4/0x and BRM10/02**

Dimensional drawing:



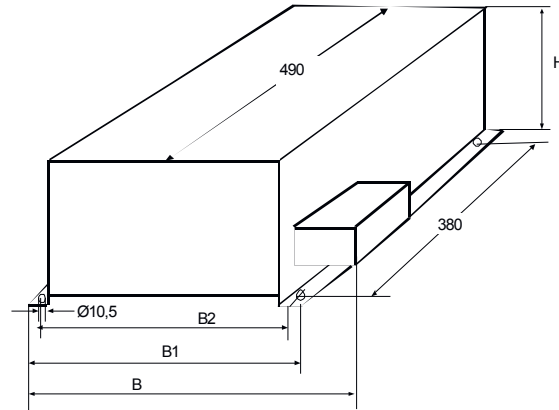
1: thermal overcurrent relay

Dimensions in mm:

Size:	BRM4/01	BRM4/02	BRM4/03 & BRM10/02
A	250	300	540
B	330	380	620
C	64	64	64

### 10.4.2.5 Braking resistor BRM11/01 & BRM12/01

Dimensional drawing:

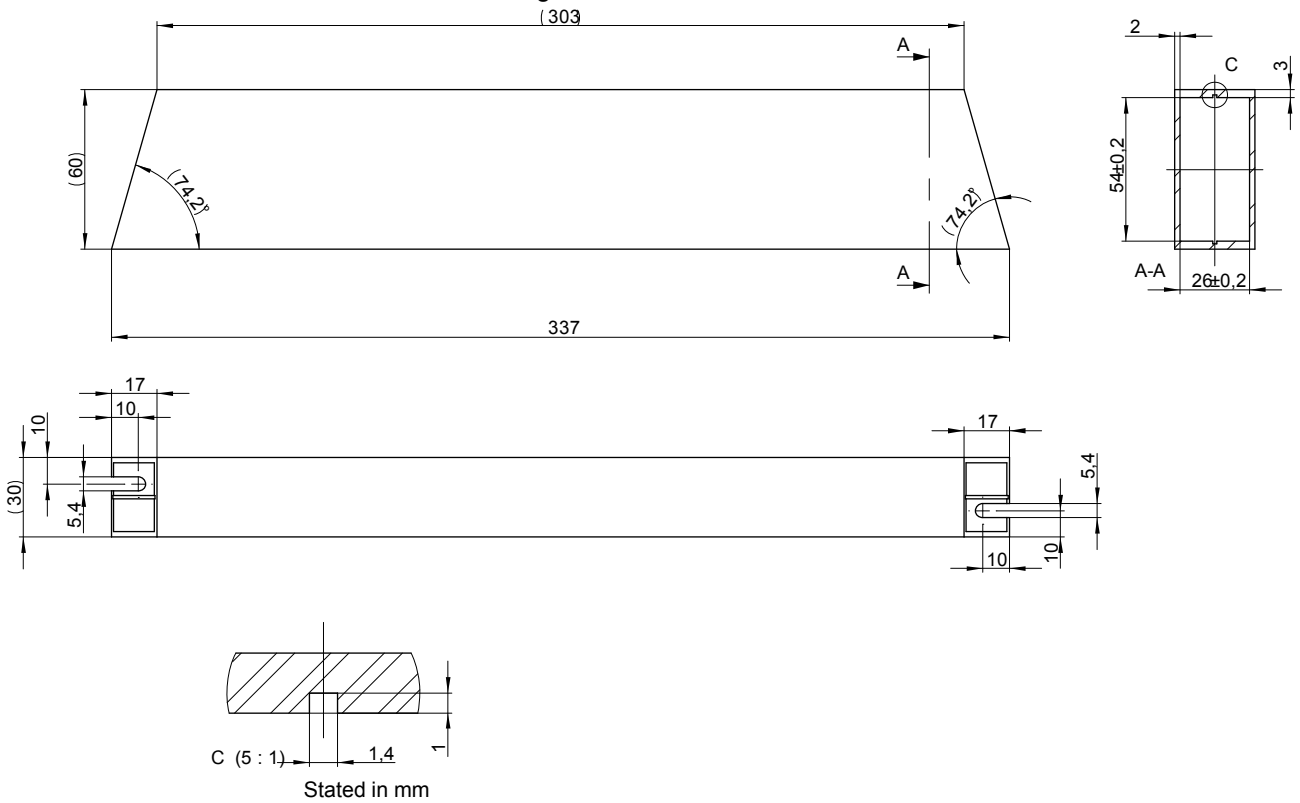


Dimensions in mm:

	BRM11/01	BRM12/02
B	330	
B1	295	
B2	270	
H	260	
Weight	6.0	7.0

### 10.4.2.6 Ballast resistor BRM13/01 & BRM14/01

Dimensional drawing:



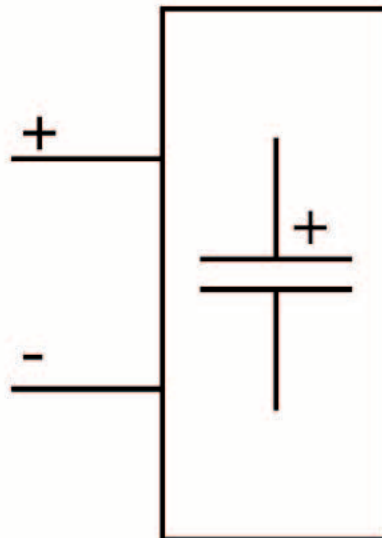
## 10.5 Condenser module C4

Order code condenser module

for C3S300V4	1100 $\mu$ F	Modules	C4
--------------	--------------	---------	----

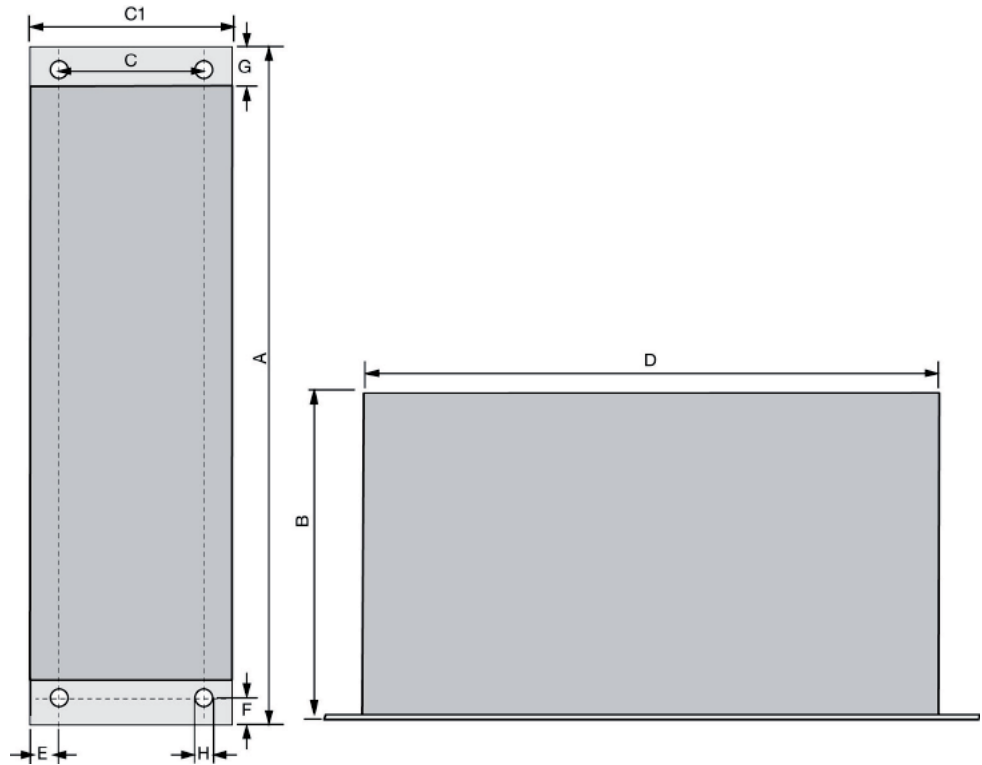
### Technical Characteristics

Type	Capacity	Cable length
Module C4	1100 $\mu$ F	~30 cm



**Dimensions in mm**

Module C4	A	B	C	C1	D	E	F	G	H
	430	190	90	120	370	15	18	30	∅ 6



## 10.6 Operator control module BDM

Order Code operating module

		/		
BDM	0 1	/	0 1	0 1

Operating module (for Compax3S and Compax3F)

**Flexible service and maintenance**



**Functions:**



- ◆ Mobile or stationary handling: can remain on the unit for display and diagnostic purposes, or can be plugged into any unit.
- ◆ Can be plugged in while in operation
- ◆ Power supply via Compax3 servo control
- ◆ Display with 2 times 16 places.
- ◆ Menu-driven operation using 4 keys.
- ◆ Displays and changing of values.
- ◆ Display of Compax3 messages.
- ◆ Duplication of device properties and IEC61131-3 program to another Compax3 with identical hardware.
- ◆ Additional information can be found in the BDM manual This can be found on the Compax3 CD or on our Homepage: **BDM-manual** ([http://divapps.parker.com/divapps/EME/EME/Literature\\_List/dokumentationen/BDM.pdf](http://divapps.parker.com/divapps/EME/EME/Literature_List/dokumentationen/BDM.pdf)).

## 10.7 EAM06: Terminal block for inputs and outputs

**Order Code terminal block**

			/		
for I/Os without luminous indicator	for X11, X12, X22	EAM	0 6	/	0 1
for I/Os with luminous indicator	for X12, X22	EAM	0 6	/	0 2

The terminal block EAM06/.. can be used to route the Compax3 plug connector X11 or X12 for further wiring to a terminal strip and to a Sub-D plug connector.

Via a supporting rail (Design:  or  ) the terminal unit can be attached to a mounting rail in the switch cabinet.

EAM06/ is available in 2 variants:

- ◆ EAM06/01: Terminal block for X11, X12, X22 without luminous indicator
- ◆ EAM06/02: Terminal block for X12, X22 with luminous indicator

Corresponding connecting cables EAM06 - Compax3 are available:

- ◆ from X11 - EAM06/01: SSK23/..
- ◆ from X12, X22 - EAM06/xx: SSK24/..

**EAM6/01: Terminal block without luminous indicator for X11, X12 or X22**

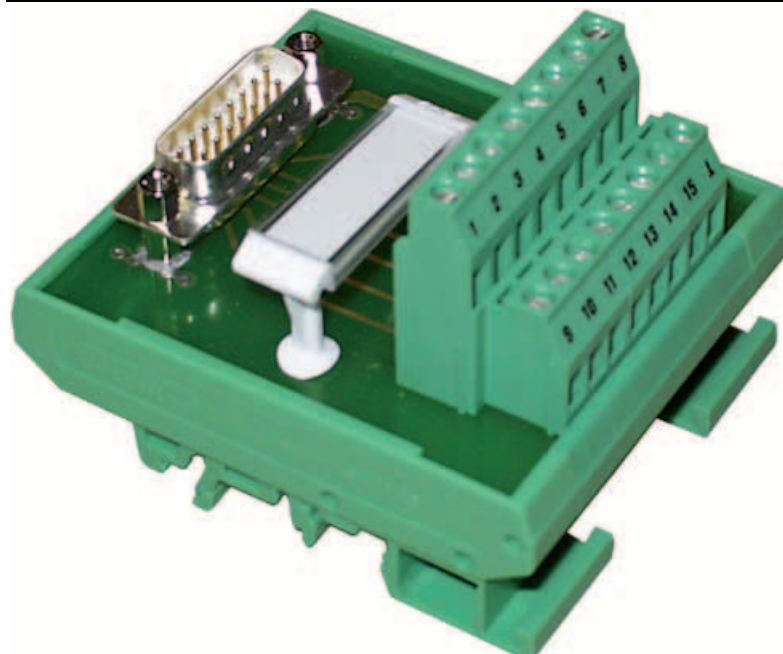




Figure similar

Width: 67.5 mm

**EAM6/02: Terminal block with luminous indicator for X12, X22**

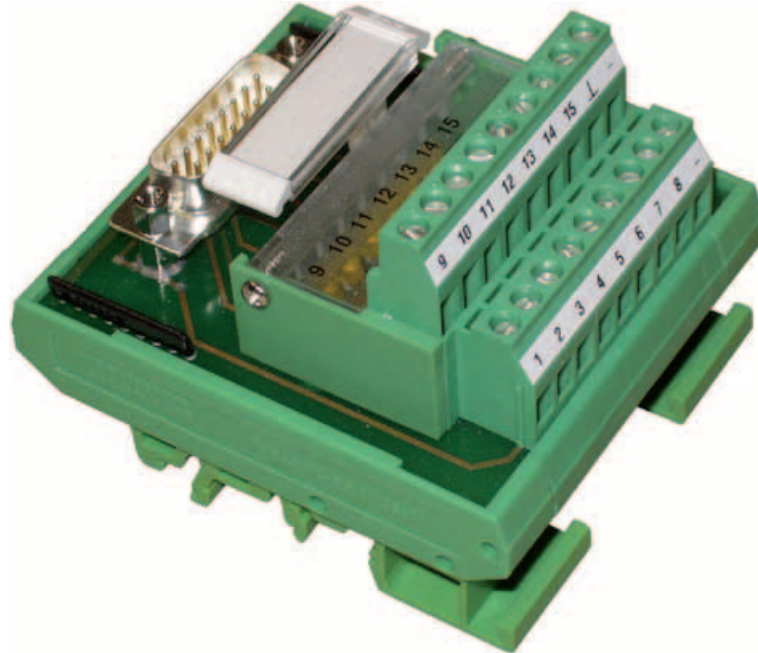
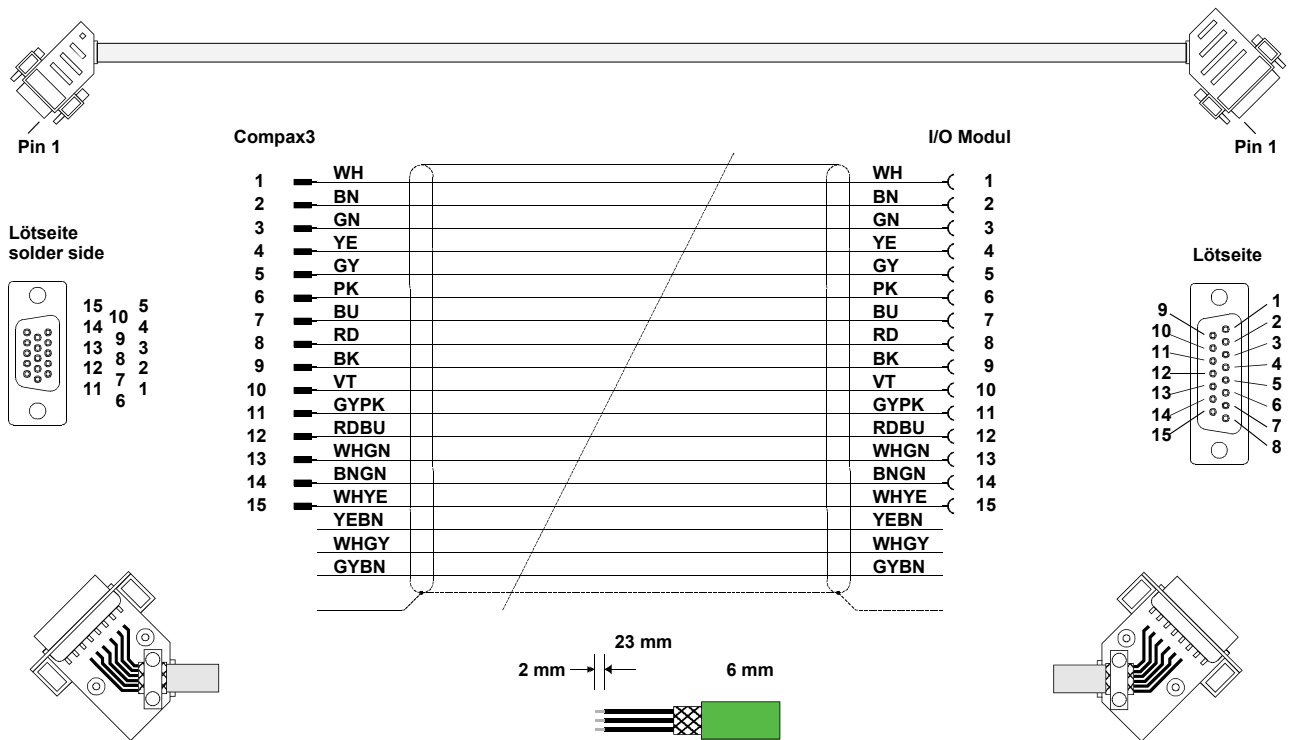


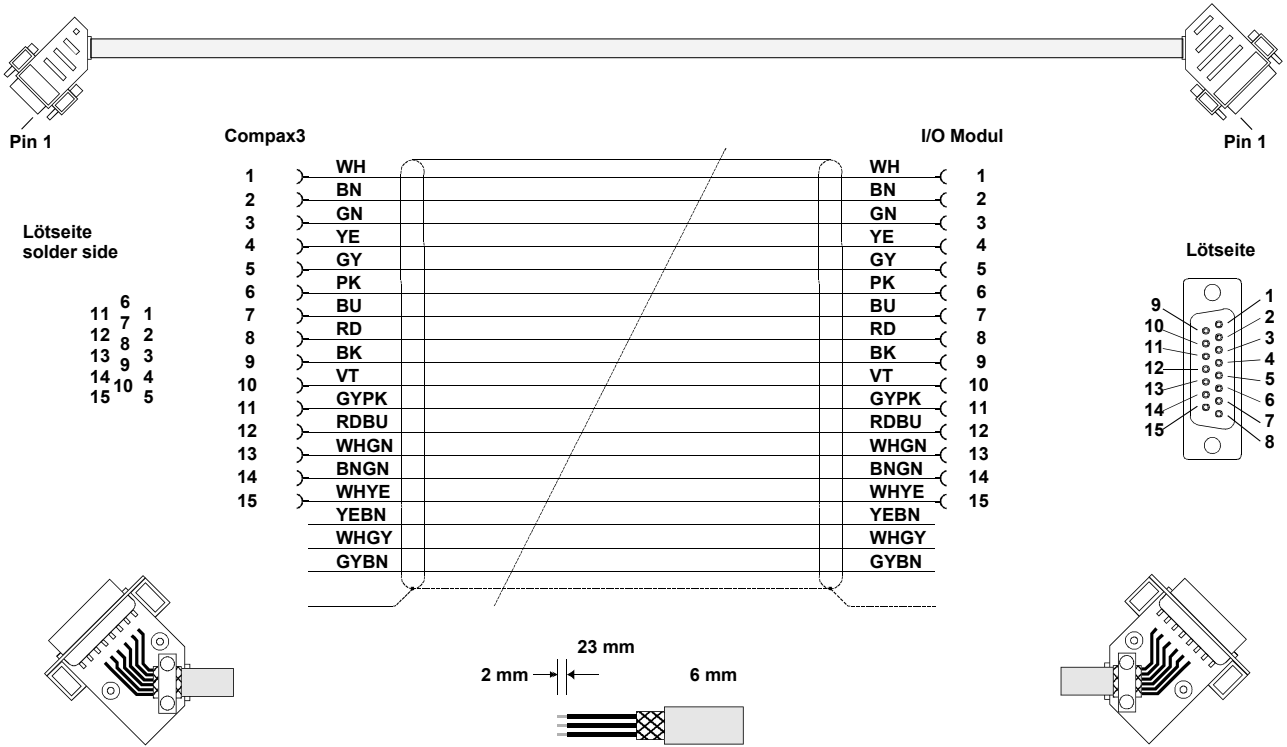
Figure similar

Width: 67.5 mm

**Cable plan SSK23/..: X11 to EAM 06/01**



**Cable plan SSK24/...: X12 to EAM 06/xx**



## 10.8 Interface cable

**In this chapter you can read about:**

RS232 cable.....	379
RS485 cable to Pop.....	380
I/O interface X12 / X22 .....	381
Ref X11 .....	381
Encoder coupling of 2 Compax3 axes.....	382
Modem cable SSK31.....	383

**Order code for interface cables and connectors**

PC – Compax3 (RS232)	SSK	0	1	/	... .. <sup>(1)</sup>
PC – PSUP (USB)	SSK	3	3	/	... ..
on X11 (Ref/Analog) and X13 with C3F001D2	SSK	2	1	/	... .. <sup>(1)</sup>
on X12 / X22 (digital I/Os)	SSK	2	2	/	... .. <sup>(1)</sup>
on X11 (Ref /Analog)	SSK	2	3	/	... .. <sup>(1)</sup>
on X12 / X22 (digital I/Os)	SSK	2	4	/	... .. <sup>(1)</sup>
PC ⇔ POP (RS232)	SSK	2	5	/	... .. <sup>(1)</sup>
Compax3 ⇔ POP (RS485) for several C3H on request	SSK	2	7	/	.. / ... <sup>(6)</sup>
Compax3 HEDA ⇔ Compax3 HEDA or PC ⇔ C3powerPLmC Compax3 I30 ⇔ Compax3 I30 or C3M-multi-axis communication Profinet, EtherCAT, Ethernet Powerlink	SSK	2	8	/	.. / ... <sup>(5)</sup>
Compax3 X11 ⇔ Compax3 X11 (encoder coupling of 2 axes)	SSK	2	9	/	... .. <sup>(1)</sup>
Compax3 X10 ⇔ Modem	SSK	3	1	/	... ..
Compax3H adapter cable ⇔ SSK01 (length 15cm, delivered with the device)	SSK	3	2	/	2 0
Compax3H X10 RS232 connection control ⇔ Programming interface (delivered with the device)	VBK	1	7	/	0 1
Bus terminal connector (for the 1st and last Compax3 in the HEDA Bus/or multi-axis system)	BUS	0	7	/	0 1
Profibus cable <sup>(2)</sup>	SSL	0	1		... .. <sup>(7)</sup>
Profibus connector	BUS	0	8	/	0 1
CAN bus cable <sup>(2)</sup>	SSL	0	2		... .. <sup>(7)</sup>
CAN bus connector	BUS	1	0	/	0 1

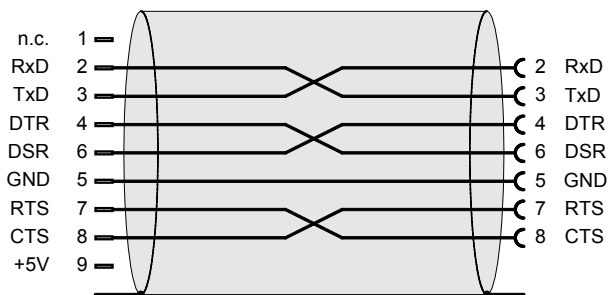
<sup>(x)</sup> **Note on cable** (see on page 344)

### 10.8.1. RS232 cable

**SSK1/..**

X10 <---

--->PC

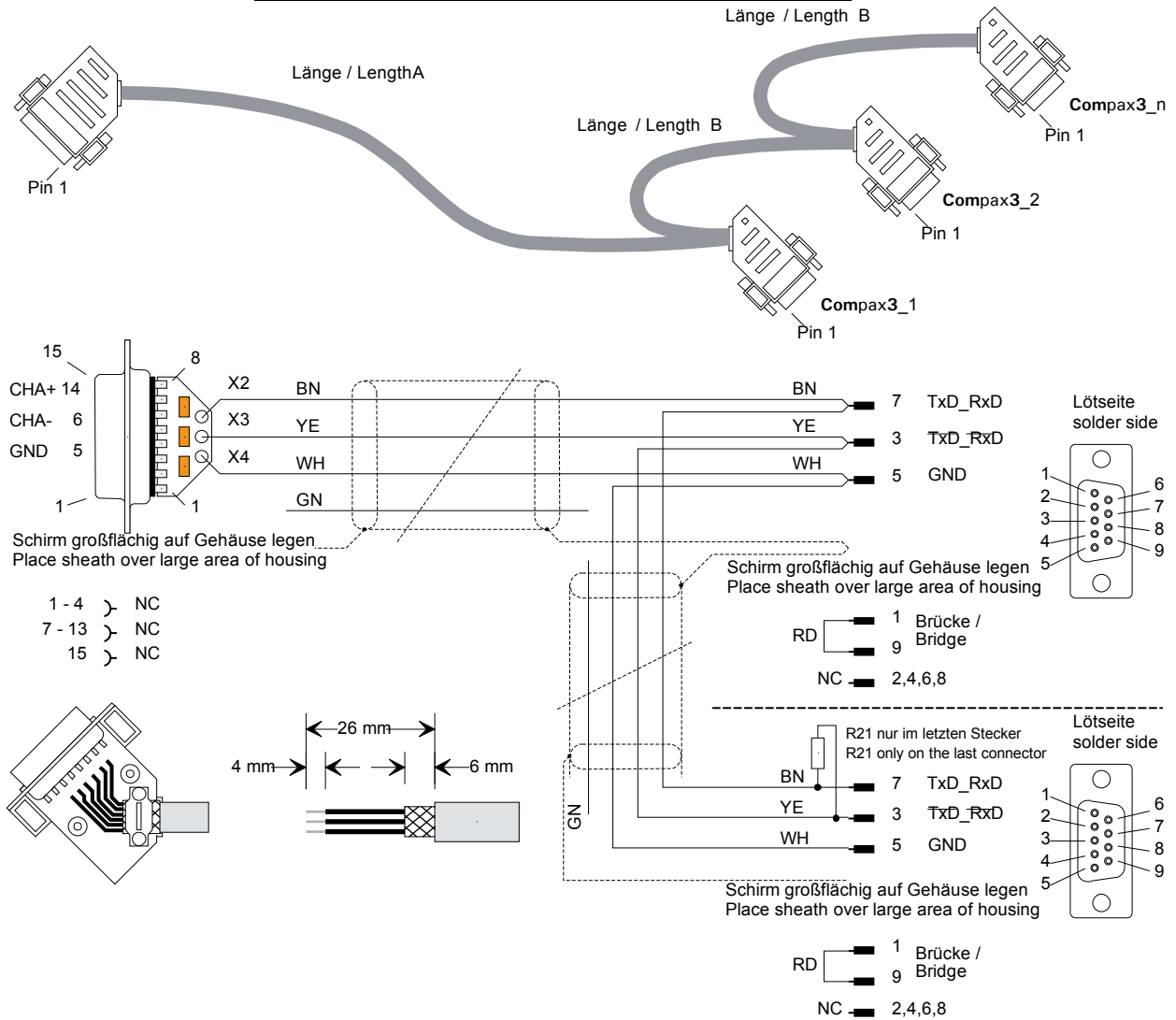


7 x 0,25mm + Schirm/Shield

You can find the length code in the **Order Code Accessories** (see on page 341)

### 10.8.2. RS485 cable to Pop

#### SSK27: Connection Pop - Compax3 - Compax3 - ...



R21 = 220 Ohm

<sup>6</sup> **Order code: SSK27/nn/..**

Length A (Pop - 1. Compax3) variable (the last two numbers according to the length code for cable, for example SSK27/nn/01)

Length B (1. Compax3 - 2. Compax3 - ... - n. Compax3) fixed 50 cm (only if there is more than 1 Compax3, i.e. nn greater than 01)

Number n (the last two digits)

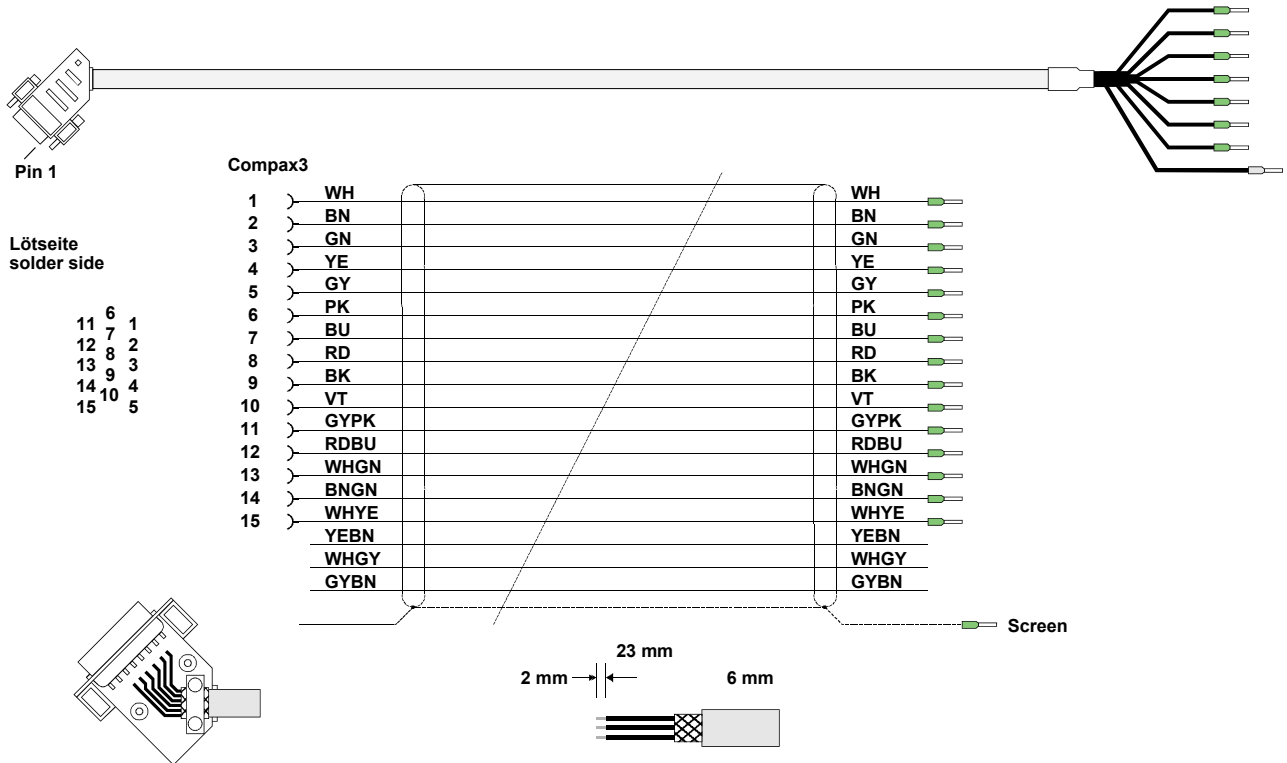
**Examples include:**

SSK27/05/.. for connecting from Pop to 5 Compax3.

SSK27/01/.. for connecting from Pop to one Compax3

### 10.8.3. I/O interface X12 / X22

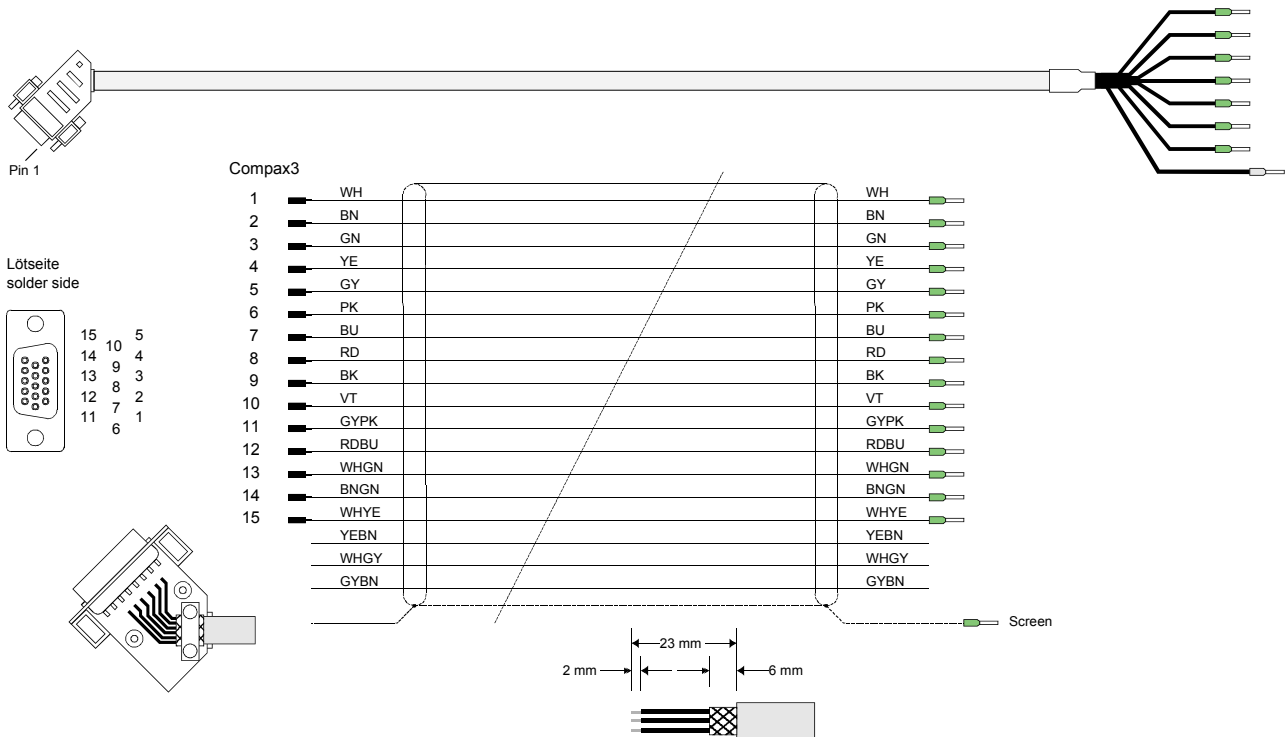
#### SSK22/...: Cable for X12 / X22 with flying leads



You can find the length code in the **Order Code Accessories** (see on page 341)

### 10.8.4. Ref X11

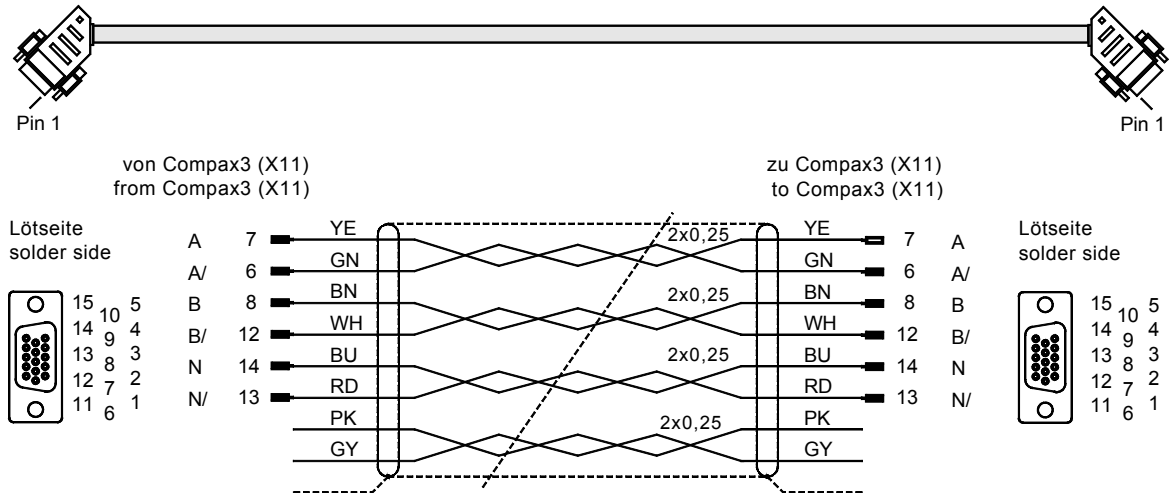
#### SSK21/...: Cable for X11 with open ends



You can find the length code in the **Order Code Accessories** (see on page 341)

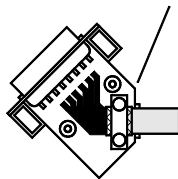
### 10.8.5. Encoder coupling of 2 Compax3 axes

#### SSK29/...: Cable from Compax3 X11 to Compax3 X11

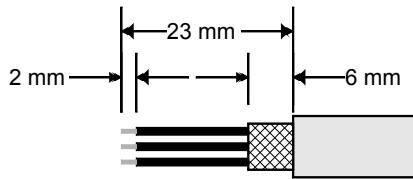


Schirm großflächig auf Gehäuse legen  
Place sheath over large area of housing

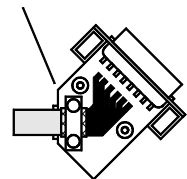
Schirm großflächig auf Gehäuse legen  
Place sheath over large area of housing



- 1 NC
- 2 NC
- 3 NC
- 4 NC
- 5 NC
- 9 NC
- 10 NC
- 11 NC
- 15 NC



- NC 1
- NC 2
- NC 3
- NC 4
- NC 5
- NC 9
- NC 10
- NC 11
- NC 15

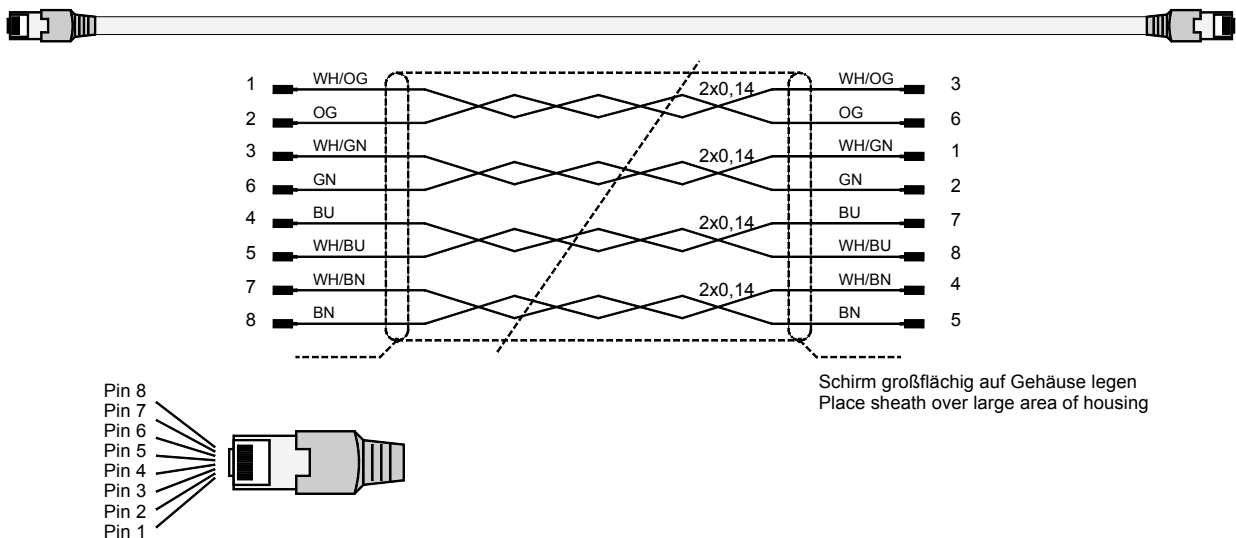


You can find the length code in the **Order Code Accessories** (see on page 341)

**Compax3 HEDA ↔ Compax3 HEDA or PC ↔ C3powerPLmC**  
**Compax3 I30 ↔ Compax3 I30 or C3M-multi axis communication**

**Profinet, EtherCAT, Ethernet Powerlink**

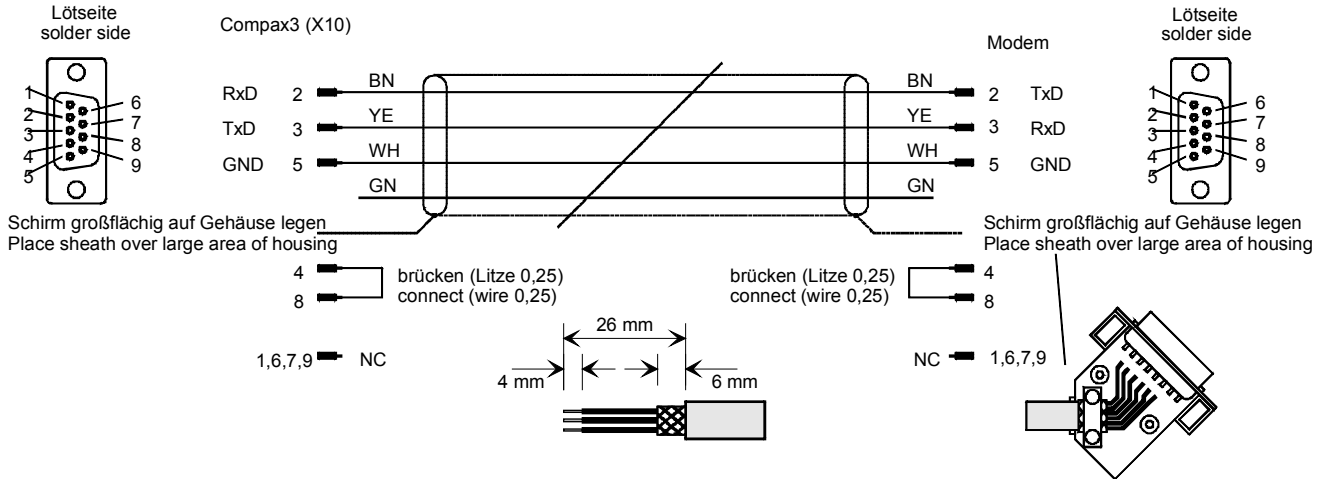
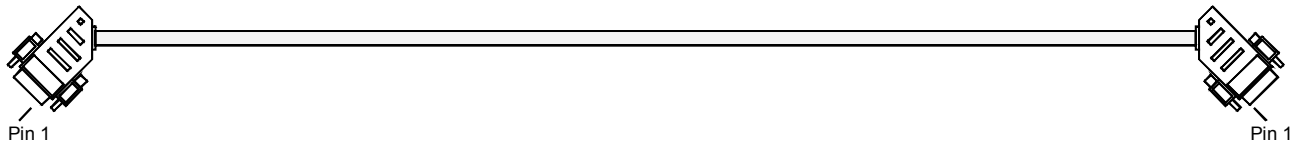
Layout of SSK28:



Schirm großflächig auf Gehäuse legen  
Place sheath over large area of housing

### 10.8.6. Modem cable SSK31

SSK31/..



You can find the length code in the **Order Code Accessories** (see on page 341)

## 10.9 Options M1x

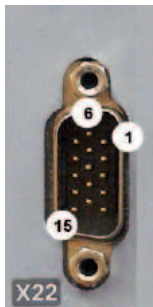
### In this chapter you can read about:

Input/output option M12 .....	384
HEDA (motion bus) - Option M11 .....	385
Option M10 = HEDA (M11) & I/Os (M12) .....	387

### 10.9.1. Input/output option M12

An optional input/output extension is available for Compax3. This option is named M12 (or M10: with HEDA) and offers 8 digital 24V inputs and 4 digital outputs on X22.

#### 10.9.1.1 Assignment of the X22 connector



Pin X22/	Input/output	I/O /X22 High density/Sub D	Configurable in the C3 ServoManager *:	
1	n.c.	factory use		
2	O0/I0	Output 0 / Input 0 - adjustable	*	
3	O1/I1	Output 1 / Input 1 - adjustable		
4	O2/I2	Output 2 / Input 2 - adjustable		
5	O3/I3	Output 3 / Input 3 - adjustable		
6	O4/I4	Output 4 / Input 4 - adjustable	*	
7	O5/I5	Output 5 / Input 5 - adjustable		
8	O6/I6	Output 6 / Input 6 - adjustable		
9	O7/I7	Output 7 / Input 7 - adjustable		
10	O8/I8	Output 8 / Input 8 - adjustable	*	
11	I	24 VDC power supply		(not 24VDC)
12	O9/I9	Output 9 / Input 9 - adjustable		
13	O10/I10	Output 10 / Input 10 - adjustable		
14	O11/I11	Output 11 / Input 11 - adjustable		
15	E	GND24V		

\* Configurable as input or output in the wizard window "I/O assignment" in groups of 4.

All inputs and outputs have 24V level.

Maximum load on an output: 100mA

Maximum capacitive load: 50nF (max. 4 Compax3 inputs)

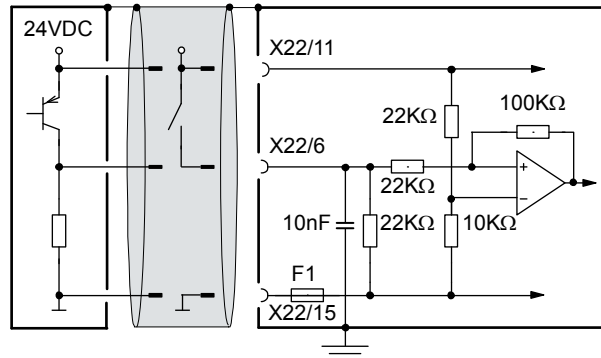
**Caution! The 24VDC power supply (X22/11) must be supplied from an external source and must be protected by a 1.2A delayed fuse!**



### Input wiring of digital inputs

SPS/PLC

### Compax3

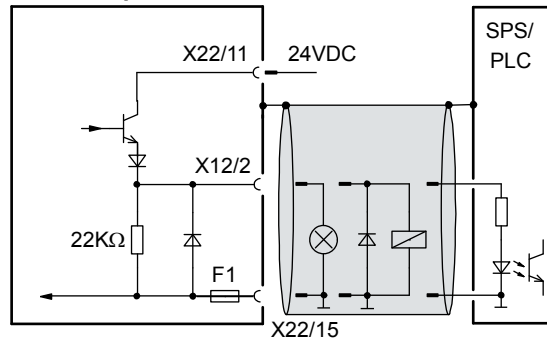


The circuit example is valid for all digital inputs!

F1: Quick action electronic fuse; can be reset by switching the 24VDC supply off and on again.

### Output wiring of digital outputs

### Compax3



The circuit example is valid for all digital outputs!

The outputs are short circuit proof; a short circuit generates an error.

F1: Quick action electronic fuse; can be reset by switching the 24VDC supply off and on again.

## 10.9.2. HEDA (motion bus) - Option M11



	RJ45 (X20)	RJ45 (X21)
Pin	HEDA in	HEDA out
1	Rx	Tx
2	Rx/	Tx/
3	Lx	Lx
4	-	factory use
5	-	factory use
6	Lx/	Lx/
7	-	factory use
8	-	factory use

**Function of the HEDA LEDs**

**Green LED (left)**

HEDA module energized

**Red LED (right)**

Error in the receive area

Possible causes:

- ◆ at the Master
  - ◆ no slave sending back
  - ◆ Wrong cabling
  - ◆ Terminal plug is missing
  - ◆ several masters are sending in the same slot
- ◆ at the slave
  - ◆ several masters in the system
  - ◆ no master active
  - ◆ Terminal plug is missing
  - ◆ no transmission from one or several receive slots (neither by the master nor by another slave)

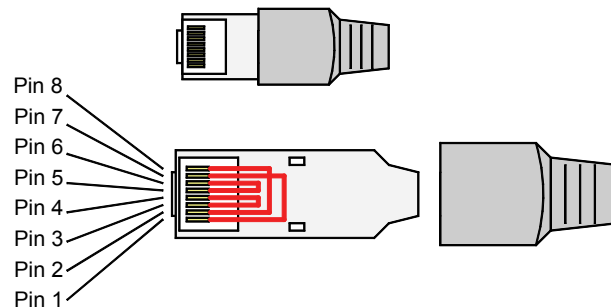
**HEDA-wiring:**

**HEDA-Master**



Layout of SSK28 (see on page 343, see on page 382)

**Design of the HEDA bus terminator BUS 07/01:**



Jumpers: 1-7, 2-8, 3-4, 5-6

### Function of the HEDA LEDs

#### Green LED (left)

HEDA module energized

#### Red LED (right)

Error in the receive area

Possible causes:

- ◆ at the Master
  - ◆ no slave sending back
  - ◆ Wrong cabling
  - ◆ Terminal plug is missing
  - ◆ several masters are sending in the same slot
- ◆ at the slave
  - ◆ several masters in the system
  - ◆ no master active
  - ◆ Terminal plug is missing
  - ◆ no transmission from one or several receive slots (neither by the master nor by another slave)

### 10.9.3. Option M10 = HEDA (M11) & I/Os (M12)

The M10 option includes the M12 input/output option and the HEDA M11 option.

## 10.10 CAN - plug BUS10/01

We offer a CAN plug and special cable in any length to order for the CAN-bus wiring:

- ◆ CAN cable: SSL02/.. not prefabricated (color according to DESINA).
- ◆ CAN plug: BUS10/01 with 2 cable inputs and screw terminals as well as a switch for activating the terminal resistor.

The terminal resistor must be activated on the first and on the last station (=switch setting ON).

**Note for integrated C3 powerPLmC (Compax3 interface designation "C1x")**

- ◆ The CAN bus of the C3 powerPLmC does already contain a terminal resistor.

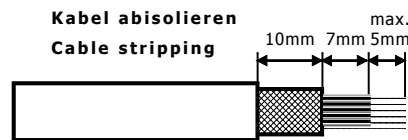
◆ Therefore it applies for the **C3 powerPLmC**:

Put switch to OFF

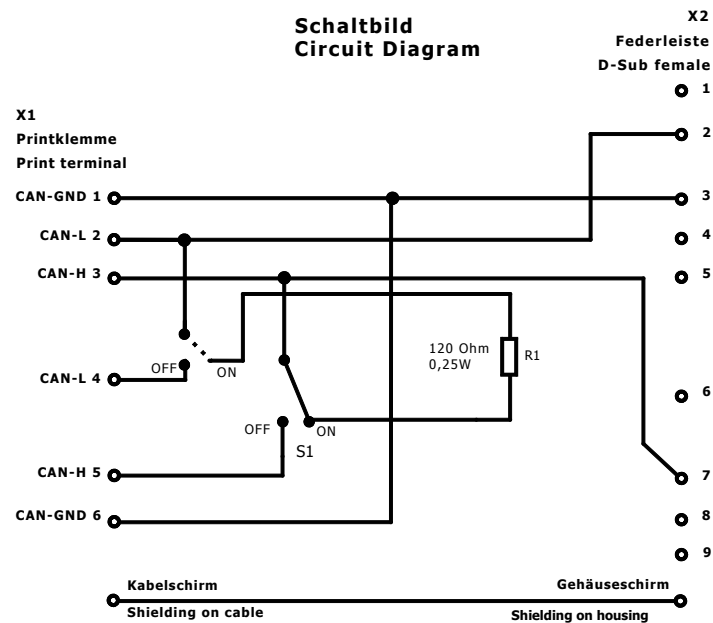
wire C3 powerPLmC always at the end of the CAN bus!



### CAN wiring



### Schaltbild Circuit Diagram



# 11. Technical Characteristics

## Mains connection Compax3S0xxV2 1AC

Controller type	S025V2	S063V2
Supply voltage	Single phase 230VAC/240VAC 80-253VAC / 50-60Hz	
Input current	6Arms	13Arms
Maximum fuse rating per device (=short circuit rating)	10 A (MCB miniature circuit breaker, K characteristic)	16A (automatic circuit breaker K)

## Mains connection Compax3S1xxV2 3AC

Controller type	S100V2	S150V2
Supply voltage	Three phase 3* 230VAC/240VAC 80-253VAC / 50-60Hz	
Input current	10Arms	13Arms
Maximum fuse rating per device (=short circuit rating)	16A	20A
	MCB miniature circuit breaker, K characteristic	

## Mains connection Compax3SxxxV4 3AC

Controller type	S015V4	S038V4	S075V4	S150V4	S300V4
Supply voltage	Three phase 3*400VAC/480VAC 80-528VAC / 50-60Hz				
Input current	3Aeff	6Arms	10Arms	16Arms	22Arms
Maximum fuse rating per device(=short circuit rating)	6A	10A	16A	20A	25A
	MCB miniature circuit breaker, K characteristic				D*

## Mains connection PSUP10D6

Device type PSUP10	230V	400V	480V
Supply voltage	230VAC ±10% 50-60Hz	400VAC ±10% 50-60Hz	480VAC ±10% 50-60Hz
Rated voltage	3AC 230V	3AC 400V	3AC 480V
Input current	22Arms	22Arms	18Arms
Output voltage	325VDC ±10%	565VDC ±10%	680VDC ±10%
Output power	6kW	10 kW	10 kW
Pulse power (<5s)	12kW	20kW	20kW
Power dissipation	60W	60W	60W
Maximum circuit breaker rating per device (=short circuit rating)	Measure for line and device protection: MCB miniature circuit breaker (K characteristic) 25A in accordance with UL category DIVQ Recommendation: (ABB) S203UP-K25 (480VAC)		

**Mains connection PSUP20D6**

Device type PSUP20	230V	400V	480V
Supply voltage	230VAC ±10% 50-60Hz	400VAC ±10% 50-60Hz	480VAC ±10% 50-60Hz
Rated voltage	3AC 230V	3AC 400V	3AC 480V
Input current	44Arms	44Arms	35Arms
Output voltage	325VDC ±10%	565VDC ±10%	680VDC ±10%
Output power	12kW	20kW	20kW
Pulse power (<5s)	24kW	40kW	40kW
Power dissipation	120W	120W	120W
Maximum circuit breaker rating per device (=short circuit rating) 2 special purpose fuses in line are required	<b>Cable protection measure:</b> MCB (K characteristic) with a rating of 50A / 4xxVAC (depending on the input voltage) Recommendation: (ABB) S203P-K50 (440VAC) <b>Device protection measure:</b> Circuit breakers 80A / 700VAC per supply leg in accordance with UL category JFHR2 Requirement: Bussmann 170M1366 or 170M1566D		

**PSUP30D6 Mains connection**

Device type PSUP30	230V	400V	480V
Supply voltage	230VAC ±10% 50-60Hz	400VAC ±10% 50-60Hz	480VAC ±10% 50-60Hz
Rated voltage	3AC 230V	3AC 400V	3AC 480V
Input current	50Arms	50Arms	42Arms
Output voltage	325VDC ±10%	565VDC ±10%	680VDC ±10%
Output power	17kW	30kW	30kW
Pulse power (<5s)	34kW	60kW	60kW
Power dissipation	140W	140W	140W
Maximum circuit breaker rating per device (=short circuit rating) 2 special purpose fuses in line are required	<b>Cable protection measure:</b> MCB (K characteristic) with a rating of 63A / 4xxVAC (depending on the input voltage) Recommendation: (ABB) S203P-K63 (440VAC) <b>Device protection measure:</b> Circuit breakers 125A / 700VAC per supply leg in accordance with UL category JFHR2 Requirement: Bussmann 170M1368 or 170M1568D		

**Mains connection Compax3HxxxV4 3\*400VAC**

Device type Compax3	H050V4	H090V4	H125V4	H155V4
Supply voltage	Three-phase 3*400VAC 350-528VAC / 50-60Hz			
Input current	66Arms	95Arms	143Arms	164Arms
Output current	50Arms	90Arms	125Arms	155Arms
Maximum fuse rating per device(=short circuit rating)	80A	100A	160A	200A
Branch circuit protection according to UL	JDDZ Class K5 or H JDRX Class H			

**Mains connection Compax3HxxxV4 3\*480VAC**

Device type Compax3	H050V4	H090V4	H125V4	H155V4
Supply voltage	Three-phase 3*480VAC 350-528VAC / 50-60Hz			
Input current	54Arms	82Arms	118Arms	140Arms
Output current	43Arms	85Arms	110Arms	132Arms
Maximum fuse rating per device(=short circuit rating)	80A	100A	160A	200A
Branch circuit protection according to UL	JDDZ Class K5 or H JDRX Class H			

**Control voltage 24VDC Compax3S and Compax3H**

Controller type	Compax3
Voltage range	21 - 27VDC
Current drain of the device	0.8 A
Total current drain	0.8 A + Total load of the digital outputs + current for the motor holding brake
Ripple	0.5Vpp
Requirement according to safe extra low voltage (SELV)	yes
Short-circuit proof	conditional (internally protected with 3.15AT)

**Control voltage 24 VDC PSUP**

Device type	PSUP
Voltage range	21 - 27VDC
Ripple	0.5Vpp
Requirement according to safe extra low voltage (SELV)	yes (class 2 mains module)
Current drain PSUP	PSUP10: 0.2A PSUP20 / PSUP30: 0.3A
Electric current drain Compax3M	C3M050D6: 0.85 3M100D6: 0.85A C3M150D6: 0.85A C3M300D6: 1.0 A + Total load of the digital outputs + current for the motor holding brake

**Output data Compax3S0xx at 1\*230VAC/240VAC**

Controller type	S025V2	S063V2
Output voltage	3x 0-240V	3x 0-240V
Nominal output current	2.5Arms	6.3Arms
Pulse current for 5s	5.5Arms	12.6Arms
Power	1kVA	2.5kVA
Switching frequency	16kHz	16kHz
Power loss for In	30W	60W

**Output data Compax3S1xx at 3\*230VAC/240VAC**

Controller type	S100V2	S150V2
Output voltage	3x 0-240V	3x 0-240V
Nominal output current	10Arms	15Arms
Pulse current for 5s	20Arms	30Arms
Power	4kVA	6kVA
Switching frequency	16kHz	8kHz
Power loss for In	80W	130W

**Output data Compax3Sxxx at 3\*400VAC**

Controller type	S015V4	S038V4	S075V4	S150V4	S300V4
Output voltage	3x 0-400V				
Nominal output current	1.5Arms	3.8Arms	7.5Arms	15Arms	30Arms
Pulse current for 5s	4.5Arms	9.0Arms	15Arms	30Arms	60Arms*
Power	1kVA	2.5kVA	5kVA	10kVA	20kVA
Switching frequency	16kHz	16kHz	16kHz	8kHz	8kHz
Power loss for In	60W	80W	120W	160W	350W

\* With cyclic peak currents (S8 or S9 operation), the device utilization (683.2) may not be > 70%; otherwise it is necessary to use a condenser module “**C4Module** (see on page 374)”.

**Output data Compax3Sxxx at 3\*480VAC**

Controller type	S015V4	S038V4	S075V4	S150V4	S300V4
Output voltage	3x 0-480V				
Nominal output current	1.5Arms	3.8Arms	6.5Arms	13.9Arms	30Arms
Pulse current for 5s	4.5Arms	7.5Arms	15Arms	30Arms	60Arms*
Power	1.25kVA	3.1kVA	6.2kVA	11.5kVA	25kVA
Switching frequency	16kHz	16kHz	16kHz	8kHz	8kHz
Power loss for In	60W	80W	120W	160W	350W

\* With cyclic peak currents (S8 or S9 operation), the device utilization (683.2) may not be > 70%; otherwise it is necessary to use a condenser module “**C4Module** (see on page 374)”.

**Output data Compax3Mxxx at 3\*230VAC**

Device type Compax3	M050D6	M100D6	M150D6	M300D6
Input voltage	325VDC ±10%			
Output voltage	3x 0-230V (0...500Hz)			
Nominal output current	5Arms	10Arms	15Arms	30Arms
Pulse current for 5s*	10Arms	20Arms	30Arms	60Arms
Power	2kVA	4kVA	6kVA	12kVA
Switching frequency	8kHz	8kHz	8kHz	8kHz
Power loss for In	70W+**	90W+**	120W+**	270W+**

\*Electrical turning frequency for pulse current: f>5 Hz; with an electrical turning frequency of f<5 Hz, the maximum pulse current time is 100ms

\*\* Maximum additional losses with option card 5 W.



**Output data Compax3Mxxx at 3\*400VAC**

Device type Compax3	M050D6	M100D6	M150D6	M300D6
Input voltage	565VDC $\pm$ 10%			
Output voltage	3x 0-400V (0...500Hz)			
Nominal output current	5Arms	10Arms	15Arms	30Arms
Pulse current for 5s*	10Arms	20Arms	30Arms	60Arms
Power	3.33kVA	6.66kVA	10kVA	20kVA
Switching frequency	8kHz	8kHz	8kHz	8kHz
Power loss for In	70W <sup>**</sup>	90W <sup>**</sup>	120W <sup>**</sup>	270W <sup>**</sup>

\*Electrical turning frequency for pulse current:  $f > 5$  Hz; with an electrical turning frequency of  $f < 5$  Hz, the maximum pulse current time is 100ms

\*\* Maximum additional losses with option card 5 W.

**Output data Compax3Mxxx at 3\*480VAC**

Device type Compax3	M050D6	M100D6	M150D6	M300D6
Input voltage	680VDC $\pm$ 10%			
Output voltage	3x 0-480V (0...500Hz)			
Nominal output current	4Arms	8Arms	12.5Arms	25Arms
Pulse current for 5s*	8Arms	16Arms	25Arms	50Arms
Power	3.33kVA	6.66kVA	10kVA	20kVA
Switching frequency	8kHz	8kHz	8kHz	8kHz
Power loss for In	70W <sup>**</sup>	90W <sup>**</sup>	120W <sup>**</sup>	270W <sup>**</sup>

\*Electrical turning frequency for pulse current:  $f > 5$  Hz; with an electrical turning frequency of  $f < 5$  Hz, the maximum pulse current time is 100ms

\*\* Maximum additional losses with option card 5 W.

**Output data Compax3Hxxx at 3\*400VAC**

Controller type	H050V4	H090V4	H125V4	H155V4
Output voltage	3x 0-400V			
Nominal output current	50Arms	90Arms	125Arms	155Arms
Pulse current for 5s *	75Arms	135Arms	187.5Arms	232.5Arms
Power	35kVA	62kVA	86kVA	107kVA
Switching frequency	8kHz	8kHz	8kHz	8kHz
Power loss for In	880W	900W	1690W	1970W

\* during low speeds, the overload time is reduced to 1s. Limit:

< 2.5 electric rev/s (= actual revolutions/s \* number of pole pairs) resp. >2.5 pitch/s

**Output data Compax3Hxxx at 3\*480VAC**

Controller type	H050V4	H090V4	H125V4	H155V4
Output voltage	3x 0-480V			
Nominal output current	43Arms	85Arms	110Arms	132Arms
Pulse current for 5s*	64.5Arms	127.5Arms	165Arms	198Arms
Power	35kVA	70kVA	91kVA	109kVA
Switching frequency	8kHz	8kHz	8kHz	8kHz
Power loss for In	850W	1103W	1520W	1800W

\* during low speeds, the overload time is reduced to 1s. Limit:

< 2.5 electric rev/s (= actual revolutions/s \* number of pole pairs) resp. >2.5 pitch/s

**Resulting nominal and peak currents depending on the switching frequency**

**Compax3S0xxV2 at 1\*230VAC/240VAC**

Switching frequency*		S025V2	S063V2
16kHz	I <sub>nom</sub>	2.5A <sub>rms</sub>	6,3A <sub>rms</sub>
	I <sub>peak</sub> (<5s)	5.5A <sub>rms</sub>	12,6A <sub>rms</sub>
32kHz	I <sub>nom</sub>	2.5A <sub>rms</sub>	5.5A <sub>rms</sub>
	I <sub>peak</sub> (<5s)	5.5A <sub>rms</sub>	12,6A <sub>rms</sub>

**Compax3S1xxV2 at 3\*230VAC/240VAC**

Switching frequency*		S100V2	S150V2
8kHz	I <sub>nom</sub>	-	15A <sub>rms</sub>
	I <sub>peak</sub> (<5s)	-	30A <sub>rms</sub>
16kHz	I <sub>nom</sub>	10A <sub>rms</sub>	12.5A <sub>rms</sub>
	I <sub>peak</sub> (<5s)	20A <sub>rms</sub>	25A <sub>rms</sub>
32kHz	I <sub>nom</sub>	8A <sub>rms</sub>	10A <sub>rms</sub>
	I <sub>peak</sub> (<5s)	16A <sub>rms</sub>	20A <sub>rms</sub>

**Compax3S0xxV4 at 3\*400VAC**

Switching frequency*		S015V4	S038V4	S075V4	S150V4	S300V4
8kHz	I <sub>nom</sub>	-	-	-	15A <sub>rms</sub>	30A <sub>rms</sub>
	I <sub>peak</sub> (<5s)	-	-	-	30A <sub>rms</sub>	60A <sub>rms</sub>
16kHz	I <sub>nom</sub>	1.5A <sub>rms</sub>	3.8A <sub>rms</sub>	7.5A <sub>rms</sub>	10.0A <sub>rms</sub>	26A <sub>rms</sub>
	I <sub>peak</sub> (<5s)	4.5A <sub>rms</sub>	9.0A <sub>rms</sub>	15.0A <sub>rms</sub>	20.0A <sub>rms</sub>	52A <sub>rms</sub>
32kHz	I <sub>nom</sub>	1.5A <sub>rms</sub>	2.5A <sub>rms</sub>	3.7A <sub>rms</sub>	5.0A <sub>rms</sub>	14A <sub>rms</sub>
	I <sub>peak</sub> (<5s)	3.0A <sub>rms</sub>	5.0A <sub>rms</sub>	10.0A <sub>rms</sub>	10.0A <sub>rms</sub>	28A <sub>rms</sub>

**Compax3S0xxV4 at 3\*480VAC**

Switching frequency*		S015V4	S038V4	S075V4	S150V4	S300V4
8kHz	I <sub>nom</sub>	-	-	-	13.9A <sub>rms</sub>	30A <sub>rms</sub>
	I <sub>peak</sub> (<5s)	-	-	-	30A <sub>rms</sub>	60A <sub>rms</sub>
16kHz	I <sub>nom</sub>	1.5A <sub>rms</sub>	3.8A <sub>rms</sub>	6.5A <sub>rms</sub>	8.0A <sub>rms</sub>	21.5A <sub>rms</sub>
	I <sub>peak</sub> (<5s)	4.5A <sub>rms</sub>	7.5A <sub>rms</sub>	15.0A <sub>rms</sub>	16.0A <sub>rms</sub>	43A <sub>rms</sub>
32kHz	I <sub>nom</sub>	1.0A <sub>rms</sub>	2.0A <sub>rms</sub>	2.7A <sub>rms</sub>	3.5A <sub>rms</sub>	10A <sub>rms</sub>
	I <sub>peak</sub> (<5s)	2.0A <sub>rms</sub>	4.0A <sub>rms</sub>	8.0A <sub>rms</sub>	7.0A <sub>rms</sub>	20A <sub>rms</sub>

The values marked with grey are the pre-set values (standard values)!

\*corresponds to the frequency of the motor current

## Resulting nominal and peak currents depending on the switching frequency

### Compax3MxxxD6 at 3\*400VAC

Switching frequency*		M050D6	M100D6	M150D6	M300D6
8kHz	$I_{nom}$	5A <sub>rms</sub>	10A <sub>rms</sub>	15A <sub>rms</sub>	30A <sub>rms</sub>
	$I_{peak} (<5s)$	10A <sub>rms</sub>	20A <sub>rms</sub>	30A <sub>rms</sub>	60A <sub>rms</sub>
16kHz	$I_{nom}$	3.8A <sub>rms</sub>	7.5A <sub>rms</sub>	10A <sub>rms</sub>	20A <sub>rms</sub>
	$I_{peak} (<5s)$	7.5A <sub>rms</sub>	15A <sub>rms</sub>	20A <sub>rms</sub>	40A <sub>rms</sub>
32kHz	$I_{nom}$	2.5A <sub>rms</sub>	3.8A <sub>rms</sub>	5A <sub>rms</sub>	11A <sub>rms</sub>
	$I_{peak} (<5s)$	5A <sub>rms</sub>	7.5A <sub>rms</sub>	10A <sub>rms</sub>	22A <sub>rms</sub>

### Compax3MxxxD6 at 3\*480VAC

Switching frequency*		M050D6	M100D6	M150D6	M300D6
8kHz	$I_{nom}$	4A <sub>rms</sub>	8A <sub>rms</sub>	12.5A <sub>rms</sub>	25A <sub>rms</sub>
	$I_{peak} (<5s)$	8A <sub>rms</sub>	16A <sub>rms</sub>	25A <sub>rms</sub>	50A <sub>rms</sub>
16kHz	$I_{nom}$	3A <sub>rms</sub>	5.5A <sub>rms</sub>	8A <sub>rms</sub>	15A <sub>rms</sub>
	$I_{peak} (<5s)$	6A <sub>rms</sub>	11A <sub>rms</sub>	16A <sub>rms</sub>	30A <sub>rms</sub>
32kHz	$I_{nom}$	2A <sub>rms</sub>	2.5A <sub>rms</sub>	4A <sub>rms</sub>	8.5A <sub>rms</sub>
	$I_{peak} (<5s)$	4A <sub>rms</sub>	5A <sub>rms</sub>	8A <sub>rms</sub>	17A <sub>rms</sub>

The values marked with grey are the pre-set values (standard values)!

\*corresponds to the frequency of the motor current

## Resulting nominal and peak currents depending on the switching frequency

### Compax3HxxxV4 at 3\*400VAC

Switching frequency*		H050V4	H090V4	H125V4	H155V4
8kHz	$I_{nom}$	50A <sub>rms</sub>	90A <sub>rms</sub>	125A <sub>rms</sub>	155A <sub>rms</sub>
	$I_{peak} (<5s)$	75A <sub>rms</sub>	135A <sub>rms</sub>	187.5A <sub>rms</sub>	232.5A <sub>rms</sub>
16kHz	$I_{nom}$	33A <sub>rms</sub>	75A <sub>rms</sub>	82A <sub>rms</sub>	100A <sub>rms</sub>
	$I_{peak} (<5s)$	49.5A <sub>rms</sub>	112.5A <sub>rms</sub>	123A <sub>rms</sub>	150A <sub>rms</sub>
32kHz	$I_{nom}$	19A <sub>rms</sub>	45A <sub>rms</sub>	49A <sub>rms</sub>	59A <sub>rms</sub>
	$I_{peak} (<5s)$	28.5A <sub>rms</sub>	67.5A <sub>rms</sub>	73.5A <sub>rms</sub>	88.5A <sub>rms</sub>

**Compax3HxxxV4 at 3\*480VAC**

Switching frequency*		H050V4	H090V4	H125V4	H155V4
8kHz	I <sub>nom</sub>	43A <sub>rms</sub>	85A <sub>rms</sub>	110A <sub>rms</sub>	132A <sub>rms</sub>
	I <sub>peak</sub> (<5s)	64.5A <sub>rms</sub>	127.5A <sub>rms</sub>	165A <sub>rms</sub>	198A <sub>rms</sub>
16kHz	I <sub>nom</sub>	27A <sub>rms</sub>	70A <sub>rms</sub>	70A <sub>rms</sub>	84A <sub>rms</sub>
	I <sub>peak</sub> (<5s)	40.5A <sub>rms</sub>	105A <sub>rms</sub>	105A <sub>rms</sub>	126A <sub>rms</sub>
32kHz	I <sub>nom</sub>	16A <sub>rms</sub>	40A <sub>rms</sub>	40A <sub>rms</sub>	48A <sub>rms</sub>
	I <sub>peak</sub> (<5s)	24A <sub>rms</sub>	60A <sub>rms</sub>	60A <sub>rms</sub>	72A <sub>rms</sub>

The values marked with grey are the pre-set values (standard values)!

\*corresponds to the frequency of the motor current

**Resolution of the motor position**

<b>For option F10: Resolver</b>	<ul style="list-style-type: none"> <li>◆ Position resolution: 16 Bits (= 0.005°)</li> <li>◆ Absolute accuracy: ±0.167°</li> </ul>
<b>For option F11: SinCos®</b>	<ul style="list-style-type: none"> <li>◆ Position resolution: 13.5 Bits / Encoder sine period =&gt; 0.03107°/encoder resolution</li> </ul>
<b>For option F12:</b>	<ul style="list-style-type: none"> <li>◆ Maximum position resolution                             <ul style="list-style-type: none"> <li>◆ Linear: 24 Bits per motor magnet spacing</li> <li>◆ Rotary: 24 Bits per motor revolution</li> </ul> </li> <li>◆ For 1Vss Sine-Cosine encoders (e.g. EnDat): 13.5 bits / graduation of the scale of the encoder</li> <li>◆ For RS 422 encoders: 4x encoder resolution</li> <li>◆ Accuracy of the feedback zero pulse acquisition = accuracy of the feedback resolution.</li> <li>◆ Resolution for analog hall sensors with 1Vpp signal: 13.5 Bits / motor magnet spacing</li> </ul>

**Accuracy**

The exactitude of the position signal is above all determined by the exactitude of the feedback system used.

**Motors and feedback systems supported**

<p><b>Motors</b>  <b>Direct drives</b>                  ◆ Linear motors                  ◆ Torque motors</p>	<ul style="list-style-type: none"> <li>◆ Sinusoidally commutated synchronous motors                         <ul style="list-style-type: none"> <li>◆ Maximum electrical turning frequency: 1000Hz*</li> <li>◆ Max. Velocity on 8 pole motors: 15000min<sup>-1</sup>.</li> <li>◆ General max. speed: 60*1000/number of pole pairs in [min<sup>-1</sup>].</li> <li>◆ Max. number of poles = 600</li> </ul> </li> <li>◆ Sinusoidal commutated asynchronous motors                         <ul style="list-style-type: none"> <li>◆ Maximum electrical turning frequency: 1000Hz</li> <li>◆ Max. velocity: 60*1000/number of pole pairs - slip in [min<sup>-1</sup>].</li> <li>◆ Field weakening: typically up to triple (higher on request).</li> </ul> </li> <li>◆ Temperature sensor: KTY84-130 (insulated in accordance with EN60664-1 or IEC60664-1)</li> <li>◆ 3 phase synchronous direct drives</li> </ul>
<p><b>Position encoder (Feedback)</b></p>	<p><b><u>Option F10: Resolver</u></b></p>
<p>LTN:</p>	<p>◆ RE-21-1-A05, RE-15-1-B04</p>
<p>Tamagawa:</p>	<p>◆ TS2610N171E64, TS2620N21E11, TS2640N321E64, TS2660N31E64</p>
<p>Tyco (AMP)</p>	<p>◆ V23401-T2009-B202</p>
	<p><b><u>Option F11: SinCos®</u></b></p>
	<ul style="list-style-type: none"> <li>◆ Rotary feedback with HIPERFACE® interface:                         <ul style="list-style-type: none"> <li>◆ Singleturn (SICK Stegmann)</li> <li>◆ Multiturn (SICK Stegmann) Absolute position up to 4096 motor revolutions.</li> <li>◆ For example: SRS50, SRM50, SKS36, SKM36, SEK52, SEK52, SEL52, SEK37, SEL37, SEK160, SEK90</li> </ul> </li> </ul>

\* higher values on request

Special encoder systems for direct drives	Option F12
Analog hall sensors	<ul style="list-style-type: none"> <li>◆ Sine-Cosine signal (max. 5V<sub>SS</sub>*; typical 1V<sub>SS</sub>) 90° offset</li> <li>◆ U-V signal (max. 5V<sub>SS</sub>*; typical 1V<sub>SS</sub>) 120° offset.</li> </ul>
Encoder (linear or rotatory)	<ul style="list-style-type: none"> <li>◆ Sine-Cosine (max. 5V<sub>SS</sub>*; typical 1V<sub>SS</sub>) (max. 400kHz) or</li> <li>◆ TTL (RS422) (max. 5MHz; track A or B)</li> <li>◆ Bypass function for encoder signals (limit frequency** 5MHz, track A or B) with the following modes of commutation:                             <ul style="list-style-type: none"> <li>◆ <b>Automatic commutation</b> (see on page 346) or</li> <li>◆ U, V, W or R, S, T commutation signals (NPN open collector) e.g. digital hall sensors, incremental encoders made by Hengstler (F series with electrical ordering variant 6)</li> </ul> </li> </ul>
Digital, bidirectional interface	<ul style="list-style-type: none"> <li>◆ All EnDat 2.1 or EnDat 2.2 (Endat01, Endat02) feedback systems with incremental track (sine-cosine track)</li> <li>◆ linear or rotary</li> <li>◆ max. 400kHz Sine-Cosine</li> </ul>
Distance coded feedback systems	<ul style="list-style-type: none"> <li>◆ Distance coding with 1V<sub>SS</sub> - Interface</li> <li>◆ Distance coding with RS422 - Interface (Encoder)</li> </ul>

\*Max. differential input between SIN- (X13/7) and SIN+ (X13/8).

\*\* Limit frequency = 1MHz for Compax3M (higher bandwidths on request)

### Feedback error compensation

Feedback error compensation	<ul style="list-style-type: none"> <li>◆ Automatic feedback error compensation (offset &amp; amplification) for analog hall sensors and sine-cosine encoder can be activated in the MotorManager.</li> </ul>
-----------------------------	--

### Motor holding brake output

Motor holding brake output	<b>Compax3</b>
Voltage range	21 – 27VDC
Maximum output current (short circuit proof)	1.6A
Securing of brake Compax3M	3.15A

### Braking operation Compax3S0xxV2 1AC

Controller type	S025V2	S063V2
Capacitance / storable energy	560µF / 15Ws	1120µF / 30Ws
Minimum braking- resistance	100Ω	56Ω
Recommended nominal power rating	20 ... 60W	60 ... 180W
Maximum continuous current	8A	15A

### Braking operation Compax3S1xxV2 3AC

Controller type	S100V2	S150V2
Capacitance / storable energy	780µF / 21Ws	1170µF / 31Ws
Minimum braking- resistance	22Ω	15Ω
Recommended nominal power rating	60 ... 450W	60 ... 600W
Maximum continuous current	20A	20A

**Braking operation Compax3SxxxV4 3AC**

Controller type	S015V4	S038V4	S075V4	S150V4	S300V4
Capacitance / storable energy 400V / 480V	235 $\mu$ F 37 / 21 Ws	235 $\mu$ F 37 / 21 Ws	470 $\mu$ F 75 / 42 Ws	690 $\mu$ F 110 / 61 Ws	1230 $\mu$ F 176 / 98 Ws
Minimum braking- resistance	100 $\Omega$	100 $\Omega$	56 $\Omega$	33 $\Omega$	15 $\Omega$
Recommended nominal power rating	60 ... 100W	60 ... 250W	60 ... 500 W	60 ... 1000 W	60 ... 1000 W
Maximum continuous current	10A	10A	15A	20A	30A

**Braking operation Compax3MxxxD6 (axis controller)**

Device type Compax3	M050	M100	M150	M300
Capacity/ storable energy	110 $\mu$ F/ 18Ws at 400V 10Ws at 480V	220 $\mu$ F/ 37Ws at 400V 21Ws at 480V	220 $\mu$ F/ 37Ws at 400V 21Ws at 480V	440 $\mu$ F/ 74Ws at 400V 42Ws at 480V

**Braking operation of Compax3HxxxV4**

Controller type	H050V4	H090V4	H125V4	H155V4
Capacitance / storable energy 400V / 480V	2600 $\mu$ F 602 / 419 Ws	3150 $\mu$ F 729 / 507 Ws	5000 $\mu$ F 1158 / 806 Ws	5000 $\mu$ F 1158 / 806 Ws
Minimum braking- resistance	24 $\Omega$	15 $\Omega$	8 $\Omega$	8 $\Omega$
Maximum continuous current	11 A	17 A	31 A	31 A

**Ballast resistors for Compax3**

Ballast resistor (see on page 361)	Device	Rated output
BRM08/01 (100 $\Omega$ )	Compax3S025V2 Compax3S015V4 Compax3S038V4	60 W
BRM05/01 (56 $\Omega$ )	Compax3S063V2 Compax3S075V4	180 W
BRM05/02 (56 $\Omega$ )	Compax3S075V4	570 W
BRM10/01 (47 $\Omega$ )	Compax3S150V4	570 W
BRM10/02 (47 $\Omega$ )	Compax3S150V4	1500 kW
BRM04/01 (15 $\Omega$ )	Compax3S150V2 Compax3S300V4 PSUP20D6	570 W
BRM04/02 (15 $\Omega$ )	Compax3S150V2 Compax3S300V4 PSUP20D6	740 W
BRM04/03 (15 $\Omega$ )	Compax3S300V4 PSUP20D6	1500 W
BRM09/01 (22 $\Omega$ )	Compax3S100V2	570 W
BRM11/01 (27 $\Omega$ )	Compax3H0xxV4	3500 W
BRM13/01 (30 $\Omega$ )	PSUP10D6 PSUP20D6** PSUP30D6**	500 W
BRM14/01 (15 $\Omega$ )	PSUP10D6* PSUP20D6 PSUP30D6	500 W
BRM12/01 (18 $\Omega$ )	Compax3H1xxV4 PSUP30D6	4500 W

\*for PSUP10D6 2x15 $\Omega$  in series\*\*for PSUP20D6 and PSUP30D6 2x30 $\Omega$  parallel

**Size / weight Compax3S**

Controller type	Dimensions HxWxD [mm]	Weight [kg]
Compax3S025V2	191 x 84 x 172	2.0
Compax3S063V2	191 x 100 x 172	2.5
Compax3S015V4	248 x 84 x 172	3.1
Compax3S100V2	248 x 115 x 172	4.3
Compax3S150V2	248 x 158 x 172	6.8
Compax3S038V4	248 x 100 x 172	3.5
Compax3S075V4	248 x 115 x 172	4.3
Compax3S150V4	248 x 158 x 172	6.8
Compax3S300V4	380 x 175 x 172	10.9

Minimum mounting distance: 15mm at the sides, above & below 100mm

Protection type IP20

Drawings, Mounting (see on page 70, see on page 76)

**Size / weight PSUP/Compax3M**

Device type	Dimensions HxWxD [mm]	Weight [kg]
PSUP10D6	360 x 50 x 263	3.95
PSUP20D6 & PSUP30D6	360 x 100 x 263	6.3
Compax3M050D6	360 x 50 x 263	3.5
Compax3M100D6	360 x 50 x 263	3.6
Compax3M150D6	360 x 50 x 263	3.6
Compax3M300D6	360 x 100 x 263	5.25

Protection type IP20

**Size / weight Compax3H**

Mounting (see on page 70, see on page 76)

Controller type	Dimensions HxWxD [mm]	Weight [kg]
Compax3H050V4	453 x 252 x 245	17.4
Compax3H090V4	668.6 x 257 x 312	32.5
Compax3H125V4	720 x 257 x 355	41
Compax3H155V4	720 x 257 x 355	41

Protection class IP20 when mounted in a control cabinet (not for Compax3H1xxV4)

**Safety technology Compax3S**

<p>Safe torque-off in accordance with EN ISO 13849: 2008, Category 3, PL d/e Certified. Test mark IFA 1003004</p>	<ul style="list-style-type: none"> <li>◆ For implementation of the “protection against unexpected start-up” function described in EN1037.</li> <li>◆ Please note the <b>circuitry examples</b> (see on page 79).</li> </ul>
---	---



**Compax3S STO (=safe torque off)**

Nominal voltage of the inputs	24 V
Required isolation of the 24V control voltage	Grounded protective extra low voltage, PELV
Protection of the STO control voltage	1 A
Grouping of safety level	<b>STO switch-off via internal safety relay &amp; digital input:</b> PL e, PFHd=2.98E-8 <b>STO switch-off via internal safety relay &amp; fieldbus:</b> PL d, PFHd=1.51E-7 A MTTFd=15 of the external PLC and STO cycles/year < 500 000 are assumed.

**Safety technology Compax3M**

Safe torque-off in accordance with EN ISO 13849-1: 2007, Category 3, PL=e Certified. Test mark MFS 09029	◆ Please respect the stated safety technology on the <b>type designation plate</b> (see on page 13) and the <b>circuitry examples</b> (see on page 93)
---	--

**Compax3M S1 Option: Signal inputs for connector X14**

Nominal voltage of the inputs	24V
Required isolation of the 24V control voltage	Grounded protective extra low voltage, PELV
Protection of the STO control voltage	1A
Number of inputs Signal inputs via optocoupler	2 Low = 0...7V DC or open High = 15...30V DC I <sub>in</sub> at 24V DC: 8mA
STO1/	Low = STO activated High = STO deactivated Reaction time max. 3ms
STO2/	Low = STO activated High = STO deactivated Reaction time max. 3ms
Switch-off time with unequal input statuses (max. reaction time)	20 seconds
Grouping of safety level	Category 3 PL=e (according to table 4 in EN ISO 13849-1 this corresponds to SIL 3) PFHd=4.29E-8

**UL certification for Compax3S**

conform to UL:	◆ according to UL508C
Certified	◆ E-File_No.: E235342

The UL certification is documented by a "UL" logo on the device (type specification plate).

"UL" logo:



**UL-approval for PSUP/Compax3M**

<b>conform to UL:</b>	◆ according to UL508C
<b>Certified</b>	◆ E-File_No.: E235342

The UL certification is documented by a “UL” logo on the device (type specification plate).



**Insulation requirements**

<b>Enclosure rating</b>	Protection class in accordance with EN 60664-1
<b>Protection against human contact with dangerous voltages</b>	In accordance with EN 61800-5-1
<b>Overvoltage category</b>	Voltage category III in accordance with EN 60664-1
<b>Degree of contamination</b>	Degree of contamination 2 in accordance with EN 60664-1 and EN 61800-5-1

**Environmental conditions Compax3S and Compax3H**

<b>General ambient conditions</b>	In accordance with <b>EN 60 721-3-1 to 3-3</b> Climate (temperature/humidity/barometric pressure): Class 3K3	
<b>Permissible ambient temperature:</b>		
Operation	0 to +45 °C	class 3K3
storage	-25 to +70 °C	class 2K3
transport	-25 to +70 °C	class 2K3
<b>Tolerated humidity:</b>	no condensation	
Operation	<= 85% class 3K3	(Relative humidity)
storage	<= 95% class 2K3	
transport	<= 95% class 2K3	
<b>Elevation of operating site</b>	<=1000m above sea level for 100% load ratings <=2000m above sea level for 1% / 100m power reduction please inquire for greater elevations	
<b>Mechanic resonances:</b>	EN 60068-2-6 (sinusoidal excitation)	
<b>Sealing</b>	Protection type IP20 in accordance with EN 60 529	

**Cooling Compax3S and Compax3H**

<b>Cooling mode:</b>	C3S025V2 ... S150V4: Convection C3S300V4 & C3H: Forced air ventilation with fan in the heat dissipator <b>Air flow rate:</b> 459m <sup>3</sup> /h (C3H)
<b>Supply:</b>	C3S300V4, C3H050, C3H090 internal C3H125, C3H155 external 220/240VAC: 140W, 2.5μF, Stator - 62Ω Optionally on request: 110/120VAC: 130W, 10μF, Stator - 16Ω <b>Circuit breaker:</b> 3A

**EMC limit values Compax3S and Compax3H**

<b>EMC interference emission</b>	Limit values in accordance with EN 61 800-3, Limit value class C3/C4 without additional mains filter: <b>Information on C2 limit value classes</b> (see on page 19)
<b>EMC disturbance immunity</b>	Industrial area limit values in accordance with EN 61 800-3

**Ambient conditions PSUP/Compax3M**

<b>General ambient conditions</b>	In accordance with <b>EN 60 721-3-1 to 3-3</b> Climate (temperature/humidity/barometric pressure): Class 3K3	
<b>Permissible ambient temperature:</b>	0 to +40 °C      Class 3K3 -25 to +70 °C -25 to +70 °C	
Operation		
storage transport		
<b>Tolerated humidity:</b>	no condensation	
Operation	<= 85% class 3K3      (Relative humidity)	
storage		
transport	<= 95%	
<b>Elevation of operating site</b>	<=1000m above sea level for 100% load ratings <=2000m above sea level for 1% / 100m power reduction please inquire for greater elevations	
<b>Sealing</b>	Protection type IP20 in accordance with EN 60 529	
<b>Mechanic resonances:</b>	Class 2M3, 20m/s <sup>2</sup> ;8-200Hz	

**Cooling PSUP/Compax3M**

<b>Cooling mode:</b>	Forced air ventilation with fan in the heat dissipator
----------------------	--

**EMV limit values PSUP/Compax3M**

<b>EMC interference emission</b>	Limit values in accordance with EN 61 800-3, Limit value class C3 with mains filter.
<b>EMC disturbance immunity</b>	Industrial area limit values in accordance with EN 61 800-3

**EC directives and applied harmonized EC norms**

<b>EC low voltage directive 2006/95/EG</b>	<b>EN 61800-5-1</b> , Standard for electric power drives with settable speed; requirements to electric safety <b>EN 60664-1</b> , isolation coordinates for electrical equipment in low-voltage systems <b>EN 60204-1</b> , <b>machinery norm</b> partly applied
<b>EC-EMC-directive 2004/108/EC</b>	<b>EN 61800-3</b> , <b>EMC standard</b> Product standard for variable speed drives

**COM ports**

<b>RS232</b>	<ul style="list-style-type: none"> <li>◆ 115200 baud</li> <li>◆ Word length: 8 bits, 1 start bit, 1 stop bit</li> <li>◆ Hardware handshake XON, XOFF</li> </ul>
<b>RS485 (2 or 4-wire)</b>	<ul style="list-style-type: none"> <li>◆ 9600, 19200, 38400, 57600 or 115200 baud</li> <li>◆ Word length 7/8 bit, 1 start bit, 1 stop bit</li> <li>◆ Parity (can be switched off) even/odd</li> <li>◆ 2 or 4-wire</li> </ul>
<b>USB (Compax3M)</b>	◆ USB 2.0 Full Speed compatible

**Load position control**

<b>Dual Loop Option</b>	◆ 2. Feedback system for <b>load position control</b> (see on page 158) possible.
-------------------------	---

**Signal interfaces**

<b>Signal inputs / signal sources</b>	<ul style="list-style-type: none"> <li>◆ Encoder input track A/B (RS422)                             <ul style="list-style-type: none"> <li>◆ up to max. 10MHz</li> <li>◆ Internal quadrature of the resolution</li> </ul> </li> <li>◆ Step / direction input (24V level) Max. 300kHz at <math>\geq 50\Omega</math> source impedance and minimum pulse width of 1.6<math>\mu</math>s.</li> <li>◆ +/-10V analog input 14Bit; 62.5<math>\mu</math>s scanning rate.</li> <li>◆ SSI - feedback</li> </ul>
<b>Signal outputs</b>	<ul style="list-style-type: none"> <li>◆ Encoder simulation                             <ul style="list-style-type: none"> <li>◆ 1...16384 increments/revolution or pitch</li> <li>◆ Limit frequency** 620kHz (track A or B)</li> </ul> </li> <li>◆ Bypass function for encoder feedback with feedback module F12 (Limit frequency* 5MHz, track A or B).</li> </ul>
<b>Signal transmission</b>	<p>HEDA (Option M10 or M11) Transfer of process values:</p> <ul style="list-style-type: none"> <li>◆ from Master to Slave,</li> <li>◆ from Slave to Master and</li> <li>◆ from Slave to Slave.</li> </ul>

\*\* Limit frequency = 1MHz for Compax3M (higher bandwidths on request)

**CANopen ratings**

<b>Profile</b>	◆ Motion Control CiADS402
<b>Baud rate [kBit/s]</b>	◆ 20, 50, 100, 125, 250, 500, 800, 1000
<b>EDS file</b>	◆ C3.EDS
<b>Service data object</b>	◆ SDO1
<b>Process data objects</b>	◆ PDO1 ◆ PDO2
<b>Synchronicity precision of the SYNC telegram</b>	◆ maximum jitter: +/-25µs ◆ Typical cycle times: >= 1ms
<b>Deviations from the CANopen Device Profile DSP402</b>	◆ For the velocity mode profile the setpoint acceleration is also applicable when braking. ◆ Only one rotation speed is possible for machine zero run start (objects 0x6099.1 and .2 are the same).

**Functions**

<b>Operating modes:</b>	◆ Speed control ◆ Direct positioning (position control) ◆ Positioning with set selection
<b>Speed control</b>	◆ Cyclic predefined Setpoint value ◆ Up to 2 cyclic actual values
<b>Direct positioning</b>	◆ Cyclic predefined Setpoint value ◆ Cyclic actual values ◆ Different motion functions
<b>Positioning with set selection</b>	◆ up to 31 motion sets possible. ◆ Different motion functions
<b>Motion functions</b>	◆ Absolute positioning ◆ Relative positioning ◆ Electronic Gearbox (Gearing) ◆ Reg-related positioning (exactitude < 1µs) ◆ Speed control ◆ Stop - Set ◆ Defining status bits for the sequence control ◆ Specification of speed, acceleration, deceleration and jerk ◆ Different machine zero modes ◆ Absolute / continuous operation
<b>Actual position</b>	◆ Encoder simulation ◆ Resolution: 1 - 16384 increments / revolution
<b>Signal monitor</b>	◆ 2 channels ±10 V analog ◆ Resolution: 8 Bit

# 12. Index

(

Linear interpolation of position and Speed setpoint value (o3925.1=-4 - 307

+

+/-10V analog speed setpoint value as signal source - 157

## A

Absolute encoder - 114

Acceleration / deceleration for positioning - 134

Acceleration for positioning and velocity control - 134

Access to the hazardous area - 88, 92

Activation - 245

Acyclic parameter channel - 315

Additional conditions of utilization - 21

Adjusting the basic address - 61

Adjusting the machine zero proximity switch - 128

Advanced - 209

Advantages of using the - 80

Alignment of the analog inputs - 241

Analog Inputs/Outputs - 337

Analogue / encoder (plug X11) - 65

Analyses in the time range - 247

Application parameters - 174

Approximation of a well-attenuated control loop - 193

ASCII - record - 289

Assignment of the different motion functions - 302

Assignment of the X22 connector - 384

Asynchronous motors - 187

Extension of the controller structure - 190

Attenuation of the excitation amplitude - 257

Automated controller design - 200

Automatic controller design - 191

## B

Ballast resistor - 36, 109, 398

Ballast resistor BRM13/01 & BRM14/01 - 373

Ballast resistor BRM4/0x and BRM10/02 - 372

Bandwidth filter 1 (O2150.2) / bandwidth filter 2 (O2150.5) - 222

Basic functions: - 91

Basic structure of the control with Compax3 - 172

Basics of frequency response measurement - 272

Baud rate - 312

Binary record - 290

Bit sequence V2 - 336

Boundary conditions - 239

Brake delay times - 279

Braking resistor / high voltage DC C3S connector X2 - 36

Braking resistor / high voltage supply connector X2 for 3AC 400VAC/480VAC\_C3S devices - 37

Braking resistor / high voltage supply plug X2 for 1AC 230VAC/240VAC devices - 36

Braking resistor / high voltage supply plug X2 for 3AC 230VAC/240VAC devices - 36

Braking resistor / supply voltage C3H - 58

Braking resistor / temperature switch PSUP (mains module) - 47

Braking resistor BRM11/01 & BRM12/01 - 373

Braking resistor BRM5/02, BRM9/01 & BRM10/01 - 372

BRM10/02 - 361, 365, 372

BRM5/01 braking resistor - 371

BRM8/01braking resistors - 371

Bus format Y2 and Y4 - 335

Bus objects sorted by bus number - 323

Byte string OS - 336

## C

C3 ServoSignalAnalyzer - 243

C3 settings for RS485 four wire operation - 288

C3 settings for RS485 two wire operation - 287

Calculation of the BRM cooling time - 362

Calculation of the reference current from the characteristic line. - 177

Calling up the input simulation - 235

CAN - plug BUS10/01 - 388

CAN communication objects overview sorted according to CAN No. - 319

CANopen - 297

CANopen - configuration - 297

CANopen - operating mode - 297

CANopen communication profile - 317

CANopen connector X23 Interface I21 - 62

CANopen objects - 322

Capacitors - 15

Cascade control - 198

Cascade structure of Compax3 - 198

Change assignment direction reversal / limit switches - 133

Change initiator logic - 133

Changing the switching frequency and the reference point - 186

Characteristics of a control loop setpoint response - 197

CiA405\_SDO\_Error (Abort Code) UDINT - 315

Circuit layout overview - 85

Circuit: - 86, 90

COM port protocol - 289

Commissioning window - 224

Communication - 280

- Communication Compax3M - 60
  - Communication in the axis combination (connector X30, X31) - 60
  - Communication interfaces - 59
  - Communication objects - 318, 321
  - Commutation settings - 181
  - Commutation settings of the automatic commutation - 216
  - Compax3 Accessories - 345
  - Compax3 communication variants - 280
  - Compax3 device description - 28
  - Compax3 Xxx I21T11 Introduction - 26
  - Compax3H connections front plate - 54
  - Compax3H plugs/connections - 51
  - Compax3M STO application description - 96
  - Compax3S connectors - 30
  - Compax3Sxxx V2 - 35
  - Compax3Sxxx V4 - 37
  - Condenser module C4 - 374
  - Conditions of utilization - 19
  - Conditions of utilization for cables / motor filter - 20
  - Conditions of utilization for CE-conform operation - 19
  - Conditions of utilization for the STO function with Compax3M - 94
  - Conditions of utilization for UL certification Compax3H - 24
  - Conditions of utilization for UL certification Compax3M - 23
  - Conditions of utilization for UL certification Compax3S - 22
  - Conditions of utilization mains filter - 19
  - Conditions of utilization STO (=safe torque off) Safety function - 84
  - Configuration - 103, 175
  - Configuration name / comments - 152
  - Configuration of load control - 160
  - Configuration of local modem 1 - 295
  - Configuration of remote modem 2 - 296
  - Configuring the signal Source - 154
  - Connect braking resistor C3H - 58
  - Connection of a braking resistor - 36, 38
  - Connection of terminal box MH145 & MH205 - 359
  - Connection of the digital Outputs/Inputs - 68
  - Connection of the power voltage - 52
  - Connection of the power voltage of 2 C3H 3AC devices - 58
  - Connection of the power voltage of 2 C3S 3AC devices - 38
  - Connections of Compax3H - 51
  - Connections of Compax3S - 30
  - Connections of the axis combination - 43
  - Connections of the encoder interface - 66
  - Connections on the device bottom - 42
  - Connections to the motor - 356
  - Connector and pin assignment C3S - 31
  - Control measures for drives involving friction - 223
  - Control path - 175
  - Control sctructures - 204, 209, 211
  - Control signal filter / filter of actual acceleration value - 208
  - Control signal limitations - 205
  - Control voltage 24 VDC - 33
  - Control voltage 24 VDC C3H - 57
  - Control voltage 24VDC / enable connector X4 C3S - 33
  - Control voltage 24VDC PSUP (mains module) - 44
  - Control word 1 (Controlword 1) 0x6040 (o1100.3) - 309
  - Control word 2 - 310
  - Controller coefficients - 202
  - Controller optimization - 172
  - Controller optimization Advanced - 230
  - Controller optimization disturbance and setpoint behavior (advanced) - 230
  - Controller optimization disturbance and setpoint behavior (standard) - 228
  - Controller optimization guiding transmission behavior - 232
  - Controller optimization of toothed belt drive - 229
  - Controller optimization standard - 228
  - Controlword /Statusword - 308
  - Correlation between the terms introduced - 200
  - Course of the automatic commutation function - 218
  - Cubical interpolation (o3925.1=-3) - 306
  - Current (Torque) Limit - 136
  - Current control - 260
  - Current jerk response - 222
  - Current jerk response with the activated saturation characteristic line - 223
  - Current on the mains PE (leakage current) - 25
  - Cut-off frequency for the field weakening range - 189
- ## D
- D/A-Monitor - 337
  - Data formats of the bus objects - 334
  - Deadband following error - 223
  - Debouncing
    - Limit switch, machine zero and input 0 - 133
  - Defining jerk / ramps - 134
  - Defining the reference system - 110
  - Definition of the states of the programmable status bits (PSBs): - 303
  - Demand behavior - 196
  - Depth filter 1 (O2150.3) / depth filter 2 (O2150.6) - 222
  - Description of jerk - 134
  - Detailed object list - 334
  - Determination of the commutation settings - 190
  - Device assignment - 11
  - Devices with the STO (=safe torque off) safety function - 81
  - Digital inputs/outputs - 68
  - Digital inputs/outputs (plug X12) - 67
  - Dimensions of the braking resistors - 371

Direct drives - 345  
 Display of the commutation error in incremental feedback systems - 217  
 Display of the measurement point at the cursor position - 271  
 Display of the measurement result - 270  
 Distinction between signals and systems - 272  
 Disturbance behavior - 196  
 Disturbance jerk response - 200  
 D-term - 201  
 D-term of the KD velocity controller - 202  
 Dynamic positioning - 152  
 Dynamic stiffness - 199  
 Dynamics of a control - 191

**E**

EAM06  
 Terminal block for inputs and outputs - 376  
 Effect of the notch filter - 220  
 Electronic gearbox (Gearing) - 150  
 Electronic simulation of a disturbance torque jerk with the disturbance current jerk - 199  
 EMC feedforward - 213  
 EMC measures - 348  
 Emergency stop and protective door monitoring without external safety switching device. - 99  
 Encoder A/B 5V, step/direction or SSI feedback as signal source - 155  
 Encoder bypass with Feedback module F12 (for direct drives) - 139  
 Encoder cable - 360  
 Encoder coupling of 2 Compax3 axes - 382  
 Encoder simulation - 139  
 EnDat cable - 358  
 Energize and deenergize circuitry - 97  
 Error - 338  
 Position difference between load mounted and motor feedback too high - 161  
 Error list - 338  
 Error Reaction on Bus Failure - 311  
 Error response - 151  
 ETHERNET-RS485 NetCOM 113 adapter - 285  
 Example  
 Electronic gearbox with position detection via encoder - 155  
 Setting the Oscilloscope - 170  
 Example 1  
 Reg comes after the reg restriction window - 146  
 Example 2  
 Reg within the reg restriction window - 147  
 Example 3  
 Reg is missing or comes after termination of the RegSearch motion set - 147  
 Example 4  
 Reg comes before the reg restriction window - 148  
 Example 5  
 The registration mark comes after the reg restriction window, registration mark can,

however, not be reached without direction reversal - 149  
 Examples are available as a movie in the help file - 277  
 Examples in the help file - 141  
 Excitation Signal - 256  
 Extended cascade (structure variant 1) - 209  
 Extended cascade structure (structure variant 2 with disturbance variable observer) - 211  
 External braking resistors - 361  
 External Moment of Inertia - 187  
 external position correction - 158  
 External setpoint generation - 226

**F**

Feedback error compensation - 180  
 Feedforward channels - 207  
 Ferrite - 34  
 Filter - 213  
 Fixed point format C4\_3 - 335  
 Fixed point format E2\_6 - 335  
 Flow chart controller optimization of a direct drive - 231  
 Following Error (Position Error) - 185  
 Following error limit - 138  
 Frequency filter 1 (O2150.1) / frequency filter 2 (O2150.4) - 221  
 Frequency response of the notch filter. - 221  
 Frequency response of the P-TE component (value and phase) - 195  
 Frequency settings - 263  
 Friction compensation - 224  
 Front connector - 41  
 Function description for fieldbus applications with T11 devices: - 98  
 Function of the Bus LEDs - 63  
 Function principle of the automatic commutation with movement - 218  
 Functionality of the measurement - 250, 253

**G**

Gain alignment - 242  
 General Description - 79  
 General drive - 109  
 General hazards - 16  
 General layout of the table - 302

**H**

Hardware end limits - 132  
 HEDA (motion bus) - Option M11 - 385  
 Homing modes with home switch (on X12/14) - 118

**I**

I/O Assignment - 140  
 I/O interface X12 / X22 - 381  
 I<sup>2</sup>t - monitoring of the motor - 181  
 Identity Object (0x1018) - 321  
 Ignore zone (example) - 142  
 Important terms and explanations - 79  
 Increased following error - 179



Influence of the feedforward measures - 207  
 Input simulation - 235  
 Input wiring of digital inputs - 385  
 Input/output option M12 - 384  
 Instable behavior - 180  
 Installation - 245  
 Installation and dimensions Compax3 - 70  
 Installation enable of the ServoSignalAnalyzer - 245  
 Installation instructions Compax3M - 39  
 Integer formats - 334  
 Intended use - 80  
 Interface - 178  
 Interface cable - 379  
 Interface cable order code - 343  
 Internal setpoint generation - 224  
 Interpolation - 304  
 Interpolation method - 304  
 Introduction - 11, 172  
 Introduction observer - 214

## J

Jerk for STOP, MANUAL and error - 136  
 Jerk limit for positioning - 134  
 Jerk value - 134

## L

Layout of the set table - 302  
 Leak effect and windowing - 251  
 LEDs - 28, 29  
 Level - 68  
 Limit and monitoring settings - 136, 187  
 Limitation behavior - 197  
 Limitation of the control voltage - 206  
 Limitation of the setpoint current - 206  
 Limitation of the setpoint velocity - 206  
 Linear Interpolation (o3925.1 = 0 or o3925.1 = -1) - 305  
 Linear motors - 347  
 Linear Systems (LTI System) - 273  
 Linear two mass system - 276  
 Linearized motor characteristic lien for different operating points - 182  
 Load control - 158, 214  
 Load control signal image - 161  
 Load identification - 224, 239  
 Logic proximity switch types - 69  
 Luenberg observer - 214

## M

Machine Zero - 113  
 Machine zero modes overview - 116  
 Machine zero modes without home switch - 124  
 Machine zero only from motor reference - 126  
 Machine zero operating mode (Homing) - 303  
 Machine zero speed and acceleration - 129  
 Main flow chart of the controller optimization - 227  
 Main voltage supply C3S connector X1 - 35  
 Mains connection Compax3H - 57  
 Mains filter - 348

Mains filter for NFI01/03 - 350  
 Mains filter for PSUP30 - 354  
 Mains filter NFI01/01 - 349  
 Mains filter NFI01/02 - 349  
 Mains filter NFI02/0x - 350  
 Mains filter NFI03/01& NFI03/03 - 351  
 Mains filter NFI03/02 - 352  
 Mains filters - 354  
 Mains supply PSUP (mains module) X41 - 44  
 Manual operation operating mode (Jogging) - 303  
 Mass inertia - 176  
 Maximum operating speed - 138  
 Meaning of the status LEDs - Compax3 axis controller - 28  
 Meaning of the status LEDs - PSUP (mains module) - 29  
 Measure reference - 110  
 Measurement of frequency responses - 253  
 Measurement of frequency spectra - 250  
 Measurement of the motor temperature of Compax3M (axis controller) - 50  
 Mechanical system - 260, 274  
 MN-M 1,2  
   Limit switch as machine zero - 127  
 MN-M 11...14  
   With direction reversal switches on the negative side - 123  
 MN-M 128/129  
   Stromschwelle while moving to block - 124  
 MN-M 130, 131  
   Acquire absolute position via distance coding - 126  
 MN-M 132, 133  
   Determine absolute position via distance coding with direction reversal switches - 128  
 MN-M 17,18  
   Limit switch as machine zero - 125  
 MN-M 19,20  
   MN-Initiator = 1 on the positive side - 118  
 MN-M 21,22  
   MN Initiator = 1 on the negative side - 119  
 MN-M 23...26  
   Direction reversal switches on the positive side - 120  
 MN-M 27...30  
   Direction reversal switches on the negative side - 120  
 MN-M 3,4  
   MN-Initiator = 1 on the positive side - 121  
 MN-M 33,34  
   MN at motor zero point - 126  
 MN-M 35  
   MN (machine zero) at the current position - 124  
 MN-M 5,6  
   MN-Initiator = 1 on the negative side - 121  
 MN-M 7...10  
   Direction reversal switches on the positive side - 123  
 Mode 1

Time and maximum values are deduced from Compax3 input values - 278

Mode 2  
Compax3 input values are deduced from times and maximum values - 278

Modem cable SSK31 - 383

Modem MB-Connectline MDH 500 / MDH 504 - 286

Monitor information - 164

Motion cycle with feedforward measures - 208

Motion cycle without feedforward control - 207

Motion functions - 145

Motion objects in Compax3 - 238

Motion profile at jerk-controlled setpoint generation - 225

Motion set - 238

Motor / Motor brake (C3S connector X3) - 34

Motor / Motor brake C3H - 56

Motor / motor brake Compax3M (axis controller) - 49

Motor cable - 359

Motor characteristic line of a synchronous servo motor (torque via velocity) - 177

Motor Connection - 34

Motor continuous usage - 182

Motor holding brake - 34

Motor output filter - 353

Motor output filter MDR01/01 - 353

Motor output filter MDR01/02 - 354

Motor output filter MDR01/04 - 353

Motor parameters - 185, 213

Motor parameters relevant for the control - 176

Motor pulse usage - 183

Motor reference point - 187

Motor selection - 105

Motor types supported - 186

Mounting and dimensions C3H - 76

Mounting and dimensions Compax3S - 70

Mounting and dimensions Compax3S0xxV2 - 70

Mounting and dimensions Compax3S100V2 and S0xxV4 - 71

Mounting and dimensions Compax3S150V2 and S150V4 - 72

Mounting and dimensions Compax3S300V4 - 73

Mounting and dimensions PSUP/C3M - 74

Mounting and dimensions PSUP10/C3M050D6, C3M100D6, C3M150D6 - 74

Mounting and dimensions PSUP20/PSUP30/C3M300D6 - 75

Mounting distances, air currents Compax3H050V4 - 77

Mounting distances, air currents Compax3H090V4 - 77

Mounting distances, air currents Compax3H1xxV4 - 78

MoveAbs and MoveRel - 145

**N**

Noise - 179

Nominal point - 182

Nominal point data - 176

Non-linearities and their effects - 256

Notch filter - 220

Note on cable ordering - 344

Note on error switch-off - 85

Notes on the STO function - 84

**O**

Object types - 318

Object Up-/Download via CANopen - 316

Offset alignment - 242

Open/Closed Loop frequency response measurement - 255

Operating and status field - 268

Operating mode  
Cyclic Synchronous Position Mode - 303

Operating Principle - 236

Operation with MultiTurn emulation - 115

Operator control module BDM - 375

Optimization - 162

Optimization parameter Advanced - 213

Optimization window - 163

Optimize motor reference point and switching frequency of the motor current - 106

Option M10 = HEDA (M11) & I/Os (M12) - 387

Options M1x - 384

Order code - 339

Order Code braking resistors - 342

Order code device  
Compax3 - 340

Order code for accessories - 341

Order code for mains module  
PSUP - 341

Oscillating plant - 191

Oscilloscope operating mode switch: - 166

Other - 220

Other motor - 186

Other settings - 266

Output wiring of digital outputs - 385

Overview of the user interface - 259

**P**

Packaging, transport, storage - 14

Parameterization by 3 objects. - 221

Parker Motor - 185

Parker servo motors - 345

Path optimized positioning - 141

PC - PSUP (Mains module) - 60

PC <-> C3M device combination (USB) - 283

PC <-> Compax3 (RS232) - 281

PC <-> Compax3 (RS485) - 282

Permissible braking pulse power  
BRM04/01 with C3S150V2 - 367  
BRM04/01 with C3S300V4 - 368  
BRM04/02 with C3S150V2 - 368  
BRM04/02 with C3S300V4 - 369  
BRM04/03 with C3S300V4 - 369  
BRM05/01 with C3S063V2 - 366  
BRM05/01 with C3S075V4 - 366  
BRM05/02 with C3S075V4 - 367  
BRM08/01 with C3S015V4 / C3S038V4 - 363

BRM08/01 with C3S025V2 - 364  
 BRM09/01 with C3S100V2 - 364  
 BRM10/01 with C3S150V4 - 365  
 BRM10/02 with C3S150V4 - 365  
 BRM11/01 with C3H0xxV4 - 370  
 BRM12/01 with C3H1xxV4 - 370  
 BRM13/01 with PSUP10D6 - 371  
 BRM14/01 with PSUP10D6 - 371  
 Permissible braking pulse powers of the  
 braking resistors - 362  
 Plug and pin assignment C3H - 54  
 Plug assignment Compax3S0xx V2 - 33, 34,  
 35, 36, 59, 64  
 Position control - 261  
 Position correction - 158  
 Position loop - 201  
 Position measurement external - 158  
 Position mode in reset operation - 141  
 Positioning after homing run - 113  
 Positioning window - Position reached - 137  
 Power supply - 35  
 Power supply connector X1 for 3AC  
 400VAC/480VAC-C3S devices - 37  
 Power supply plug X1 for 1 AC  
 230VAC/240VAC devices - 35  
 Power supply plug X1 for 3AC  
 230VAC/240VAC devices - 35  
 Power supply voltage DC C3H - 58  
 Prerequisites - 245  
 Prerequisites for the automatic commutation -  
 218  
 Principle - 239  
 Proceeding during configuration, setup and  
 optimization - 172  
 Proceeding during controller optimization - 226  
 Process of the automatic determination of the  
 load characteristic value (load identification)  
 - 240  
 ProfileViewer for the optimization of the motion  
 profile - 278  
 Programmable status bits (PSBs) - 143  
 PSUP/Compax3M Connections - 41  
 P-TE - Symbol - 193  
 P-term KV position loop - 202

**Q**

Quadratic interpolation (o3925.1=-2) - 305  
 Quality of different feedback systems - 178

**R**

Ramp upon error and de-energize - 135  
 Recommendations for preparing the modem  
 operation - 296  
 Reduction of the current ripple - 185  
 Ref X11 - 381  
 Reference point 1  
 higher velocity at reduced torque - 183  
 Reference point 2  
 Increased torque thanks to additional cooling -  
 184  
 Reg-related positioning (RegSearch,  
 RegMove) - 146

Reg-related positioning / defining ignore zone -  
 142  
 Relevant application parameters - 184  
 Remote diagnosis via Modem - 294  
 Replacement switching diagram - data for a  
 phase - 188  
 Resolution - 179  
 Resolver - 64  
 Resolver / feedback (plug X13) - 64  
 Resolver cable - 357  
 Resonance points and their causes - 275  
 Response - 197  
 Rigidity - 198  
 Rotary servo motors - 347  
 Rotary two mass system - 275  
 Rotor time constant - 189  
 RS232 cable - 379  
 RS232 plug assignment - 59  
 RS232/RS485 interface (plug X10) - 59  
 RS485 cable to Pop - 380  
 RS485 plug assignment - 59  
 RS485 settings values - 289

**S**

Safe torque off - 79  
 Safe torque off basic function - 87  
 Safe torque off description - 87, 91  
 Safe torque off layout with bus - 89  
 Safety function - STO (=safe torque off) - 79  
 Safety instructions - 16  
 Safety instructions concerning the frequency  
 response measurement - 253  
 Safety notes for the STO function in the  
 Compax3M - 94  
 Safety switching circuits - 93  
 Safety technology option for Compax3M (axis  
 controller) - 50  
 Safety-conscious working - 16  
 Saturation behavior - 189, 222  
 Saturation values - 178  
 Scope - 164  
 Scope of delivery - 11  
 Select signal source for Gearing - 154  
 Selection of the signal or system to be  
 measured. - 259  
 Selection of the supply voltage used - 105  
 Service Data Objects (SDO) - 315  
 ServoSignalAnalyzer - function range - 243  
 Setpoint and disturbance behavior of a control  
 loop - 195  
 Setpoint generation - 224  
 Setting baud rate and Node-ID - 62  
 Setting the axis function - 61  
 Setting the time basis XDIV - 166  
 Setting up Compax3 - 103  
 Settings for channels 1..4 - 167  
 Setup and optimization of the control - 203  
 Setup mode - 237  
 Shifting the working point into a linear range -  
 257  
 Signal analysis overview - 244

- Signal filtering for external setpoint
    - specification and electronic gearbox - 233
  - Signal filtering with external command value - 233
  - Signal flow chart Luenberg observer - 215
  - Signal interfaces - 64
  - Signal processing of the analog input 0 - 157
  - Signal processing of the analog inputs - 242
  - Signal source HEDA - 155
  - Signal source of the load feedback system - 154
  - SinCos© cable - 358
  - Slave in Position Mode - Direct Positioning - 299
  - Slave in Velocity Mode - velocity control - 298
  - Slave with configuration via Master - 297
  - Slave with set selection - 301
  - Slip - 158
  - Slip Frequency - 188
  - Software end limits - 130
  - Software for supporting the configuration, setup and optimization - 173
  - Special functions - 168
  - Special safety instructions - 17
  - Speed control - 264
  - Speed for positioning and velocity control - 134
  - Speed specification (Velocity) - 151
  - Stability problem in the high-frequency range: - 192
  - Stability problem in the low-frequency range: - 192
  - Stability, attenuation - 191
  - Standard - 204
  - Standard cascade structure - 204
  - Standard optimization parameters - 205
  - Standardized and manufacturer-specific objects sorted according to object number - 327
  - State machine - 313
  - Static stiffness - 198
  - Status LEDs - 28, 29
  - Status values - 337
  - Status word 1 (Status word) - 311
  - Status word 2 - 311
  - Step response of a delay component - 193
  - Step response of the velocity loop depending on the optimization parameter - 201
  - STO (= safe torque off) with Compax3m (Option S1) - 93
  - STO (= safe torque off) with Compax3S - 82
  - STO application example (= safe torque off) - 85
  - STO delay times - 83, 95
  - STO function test - 100
  - STO function with safety switching device for T11 applications with fieldbusses - 97
  - STO function with safety switching device via Compax3M inputs - 96
  - STO Principle (= Safe Torque Off) with Compax3S - 82
  - STO test protocol specimen - 101
  - Stop command (Stop) - 151
  - Storage - 15
  - Structure - 294
  - Structure image in the interpolation mode - 307
  - Structure of a cascade control - 198
  - Structure of a control - 191
  - Supply networks - 25
  - Switching frequency of the motor current / motor reference point - 184
  - Synchronizations method - 308
- ## T
- Teach machine zero - 124
  - Technical Characteristics - 389
  - Technical Characteristics STO Compax3S - 88, 92
  - Technical details of the Compax3M S1 option - 102
  - Temperature switch PSUP (mains module) - 48
  - Test commissioning of a Compax3 axis - 105
  - Test functions - 196
  - The calculation of the physically possible acceleration - 225
  - Time frame signal source master - 157
  - Time function and power density spectrum of Compax3 setpoint generator with different jerk settings - 226
  - Tips - 241
  - Too high overshoot on velocity - 179
  - Toothed belt drive as two mass system - 277
  - Toroidal core ferrite - 34
  - Torque motors - 347
  - Tracking filter - 233
  - Traditional generation of a disturbance torque/force jerk - 199
  - Transmission cycle time - 312
  - Transmitter systems for direct drives - 346
  - Travel Limit Settings - 130
  - Trigger settings - 168
  - Turning the motor holding brake on and off - 279
  - Type specification plate - 13
  - Type specification plate data - 187
  - Typical problems of a non optimized control - 179
- ## U
- Unsigned - Formats - 334
  - Usage in accordance with intended purpose - 16
  - USB - RS232 converter - 59
  - USB-RS485 Moxa Uport 1130 adapter - 284
  - User interface - 165
- ## V
- Velocity Loop P Term - 202
  - Velocity, bandwidth - 192
  - Voltage decoupling - 213
- ## W
- Warranty conditions - 18

Wiring of analog interfaces - 66  
Wiring of the motor output filter - 354  
With direction reversal switches - 119, 122,  
127  
With motor reference point - 121, 126  
With upper mounting, the housing design may  
be different - 75  
Without direction reversal switches - 118, 121  
Without motor reference point - 118, 124  
Write into set table - 143  
Wrongly set notch filter - 221

**X**

X1 - 35  
X10 - 59  
X11 - 65  
X13 - 64  
X2 - 36  
X3 - 34  
X4 - 33

