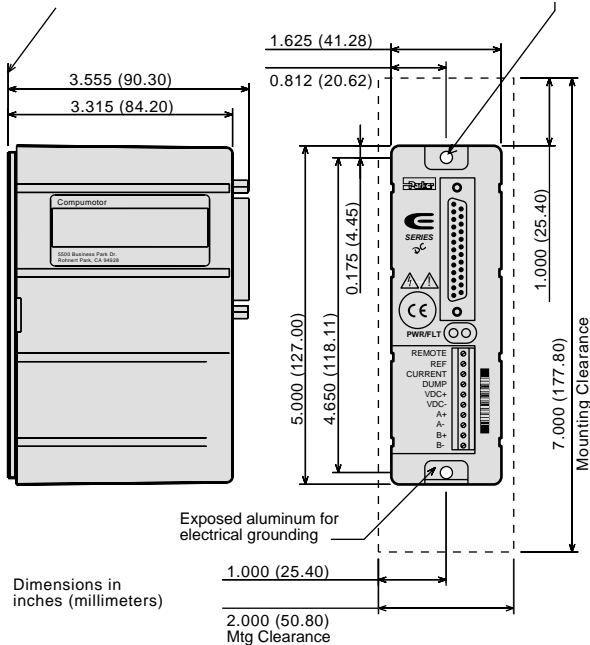


Dimensions

This surface must be thermally coupled to a cold plate in most applications

2x 0.177 (4.50) Thru (Clearance for #8 (M4) Mounting Screw)



Dimensions in inches (millimeters)

Current & Resistor Selection

SW3-#7 Off/#8 Off		SW3-#7 On/#8 Off	
Current (amps*)	Resistor (ohms)	Current (amps*)	Resistor (ohms)
4.80	0	1.58	0
4.68	205	1.52	619
4.62	412	1.46	1.27 K
4.56	619	1.39	2.05 K
4.49	825	1.33	2.80 K
4.43	1.02 K	1.27	3.57 K
4.37	1.27 K	1.20	4.53 K
4.30	1.54 K	1.14	5.49 K
4.24	1.78 K	1.08	6.49 K
4.18	2.05 K	1.01	7.68 K
4.11	2.26 K	0.95	8.87 K
4.05	2.55 K	0.89	10.5 K
3.99	2.80 K	0.82	12.1 K
3.92	3.09 K	0.76	13.7 K
3.86	3.32 K	0.70	15.8 K
3.80	3.57 K	0.63	18.2 K
3.73	3.92 K	0.57	20.5 K
3.67	4.22 K	0.51	22.6 K
3.61	4.53 K		
3.54	4.87 K		
3.48	5.11 K		
3.42	5.49 K		
3.35	5.76 K		
3.29	6.19 K		
3.23	6.49 K		
3.17	6.81 K		
3.10	7.32 K		
3.04	7.68 K		
2.98	8.06 K		
2.91	8.45 K		
2.85	8.87 K		
2.79	9.53 K		
2.72	10.0 K		
2.66	10.5 K		
2.60	11.0 K		
2.53	11.5 K		
2.47	12.1 K		
2.41	12.7 K		
2.34	13.3 K		
2.28	13.7 K		
2.22	14.3 K		
2.15	15.0 K		
2.09	15.8 K		
2.03	16.5 K		
1.96	17.4 K		
1.90	18.2 K		
1.84	19.1 K		
1.77	20.0 K		
1.71	20.5 K		
1.65	21.5 K		
1.58	22.6 K		

SW3-#7 Off/#8 On	
Current (amps*)	Resistor (ohms)
1.27	0
1.20	787
1.14	1.62 K
1.08	2.49 K
1.01	3.57 K
0.95	4.64 K
0.89	5.90 K
0.82	7.32 K
0.76	8.87 K
0.70	10.7 K
0.63	13.0 K
0.57	15.4 K
0.51	18.2 K
0.44	21.5 K

SW3-#7 On/#8 On	
Current (amps*)	Resistor (ohms)
0.50	0
0.38	2.21 K
0.32	5.36 K
0.25	10.0 K
0.19	16.2 K
0.13	27.4 K

SW3-#7 Off/#8 Off (amps*) (ohms)	Motor
3.0 S**	OS2HA
4.8 S**	OS21A, 22A
3.0 P**	VS12B, 13B
4.8 P**	VS21B, 23B
4.0 P**	VS22B
4.8 P**	VS31B, 32B

*Current is specified in peak amperes per phase.
**S = Series current; P = Parallel current;

Protective Circuits

- Short Circuit Protection:
- phase-to-phase motor short
 - phase-to-ground motor short
- Drive Overtemperature Protection
- trips at 55°C (131°F) internally

Motor Performance Specifications

Accuracy:	+/- 5 arcminutes typical (unloaded motor, bi-directional) with OS or VS Motors
Repeatability:	+/- 5 arcseconds typical (unloaded motor, bi-directional motion)
Hysteresis:	less than 2 arcminutes—0.0334° (unloaded motor, bi-directional motion)

Environmental Specifications

Operating Temperature:	0°C – 50°C (32°F – 122°F)
Storage Temperature:	-40°C – 80°C (-40°F – 176°F)
Humidity:	0 – 95%, non-condensing
Drive Weight:	0.8 pounds (0.4 kg)



E-DC Drive



Hardware Installation Guide
available at: www.compumotor.com

Quick Reference Guide

E-DC Hardware Installation Guide

is available online in PDF format:
<http://www.compumotor.com>
(part number 88-020714-01)



Compumotor Division
Parker Hannifin Corporation
p/n 88-020592-01 A (effective May 22, 2002)



DIP Switch Settings

on ↑

Factory Default Configuration Shown →

SW 2		SW 3	
1	2 3 4 5	1 2	3 4 5 6
Anti-resonance	1		
Anti-res. Disabled	off		
Default Anti-res. Enabled	on		
Resolution (Steps per Revolution)			
50,800	on on on off		
50,000	on on off on		
36,000	on on off off		
25,600	on off on on		
25,400	on off on off		
Default Setting	25,000 on on on on		
21,600	on off off on		
20,000	on off off off		
18,000	off on on on		
12,800	off on on off		
10,000	off on off on		
5,000	off on off off		
2,000	off off on on		
1,000	off off on off		
400	off off off on		
200	off off off off		
Waveform			
Pure Sine	off off on		
-2% 3rd Harmonic	off on off		
-4% 3rd Harmonic	off off off		
Default Setting	-4% 3rd Harmonic on on on		
-4% 3rd Harmonic	off on on		
-6% 3rd Harmonic	on off on		
-8% 3rd Harmonic	on off on		
-10% 3rd Harmonic	on on off		
Automatic Standby			
Default Setting	Full Current on on		
75% Current	off on		
50% Current	on off		
25% Current	off off		
Automatic Test			
Default Setting	Automatic Test Disabled on		
Automatic Test Enabled	off		
Current Loop Gain			
Compumotor Motors	Gain at 24VDC	Gain at 48VDC	
OS2HA, 21A	16	8	
OS22A	32	16	
VS12B, 13B	32	16	
VS21B	16	8	
VS22B, 23B, 31B	32	16	
VS32B	64	32	
Default Setting	8 on on off		
16	off off on		
32	on off on		
64	off on on		
64	on on on		
Current Range			
Default Setting	1.58 – 4.80 amps off off		
	0.51 – 1.58 amps on off		
	0.44 – 1.27 amps off on		
	0.13 – 0.50 amps on on		

For access to DIP switches, remove plastic cover

To use Remote Input to reduce motor current, connect a resistor between REMOTE and CURRENT. See back cover for equations.

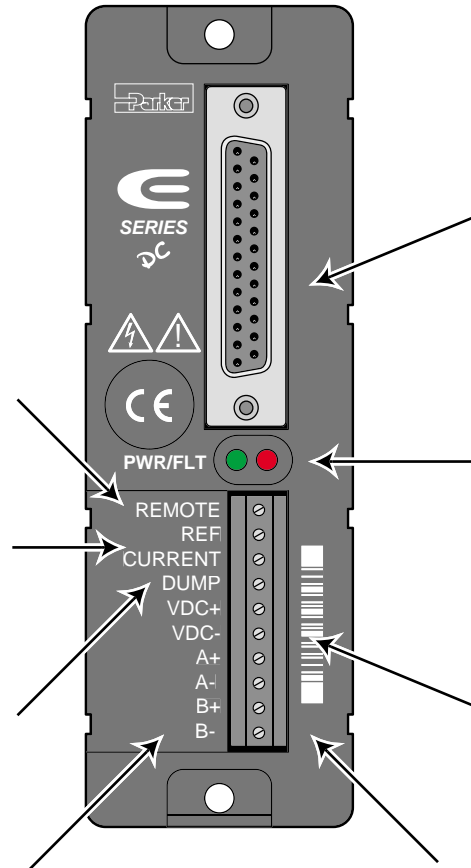
For Motor Current selection, connect a resistor between CURRENT and REF terminals. See back cover for values.

For Power Dump, connect a 35 ohm, 10W power resistor (e.g. Dale RH-10) between DUMP and VDC+.

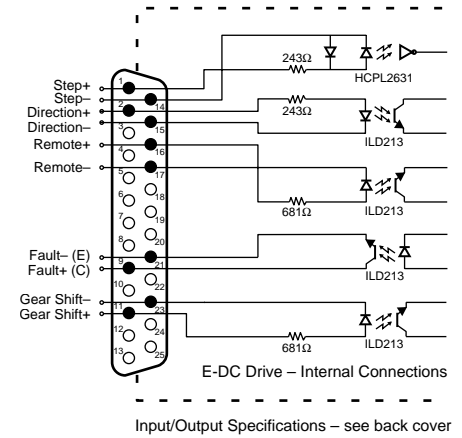
- turns on at 85VDC
- 100 joules maximum dissipation



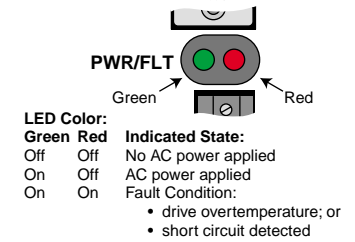
E-DC Drive



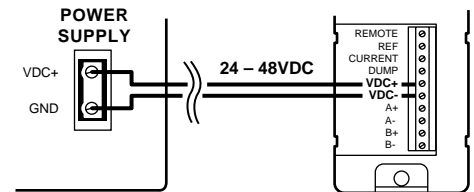
25 Pin D-Connector – Inputs and Outputs



LEDs



DC Input Connections



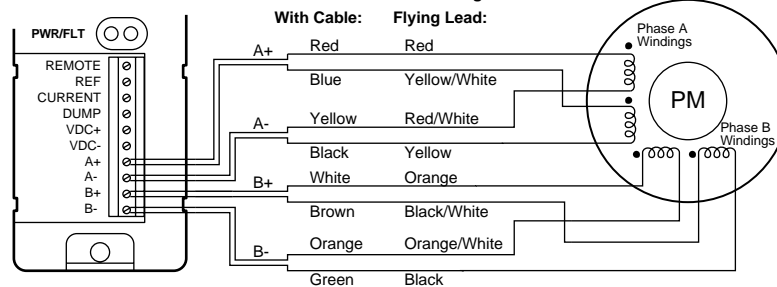
Hardware Installation Guide

VS Motor Connections – Parallel Wiring

OS Motor Connections – Series Wiring

E-DC Hardware Installation Guide is available online in PDF format: <http://www.compumotor.com> (part number 88-020714-01)

VS Motor Color Code – Parallel Wiring



OS Motor Color Code – Series Wiring

