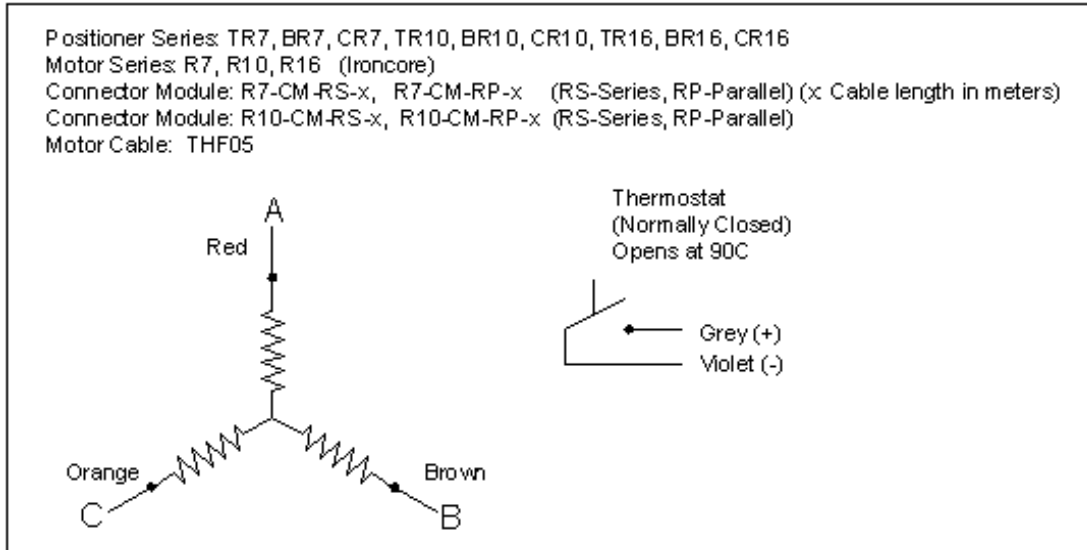
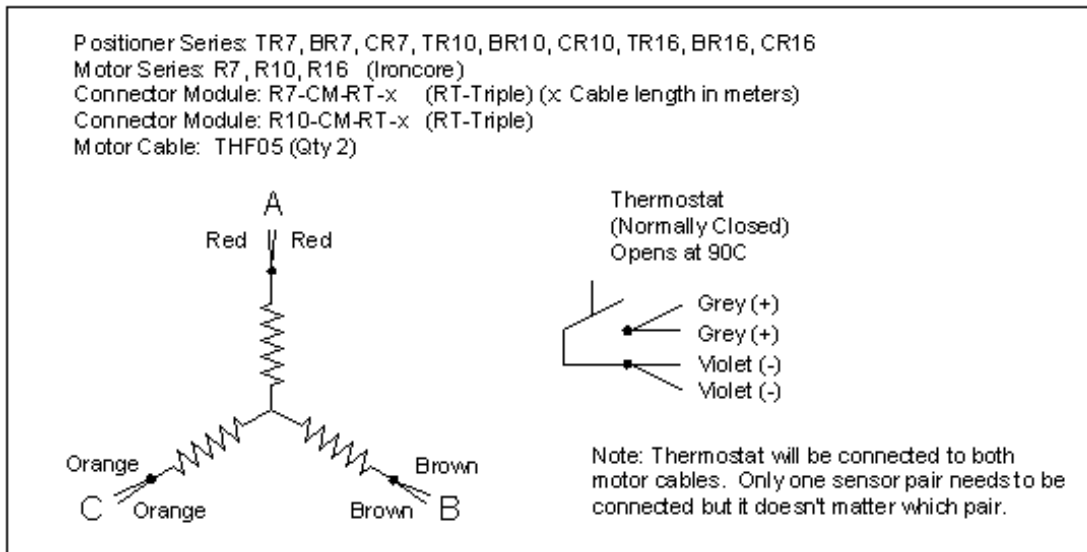


# Wiring

**Figure 1. Wye connected R5, R7, R9, R10, or R16, Series or Parallel Winding, Connector Module only**



**Figure 2. Wye connected R5, R7, R9, R10, or R16, Triple Parallel Winding, Connector Module only**



**Figure 3. Wye connected R5, R7, R9, R10, or R16, Series or Parallel Winding, HED Module**

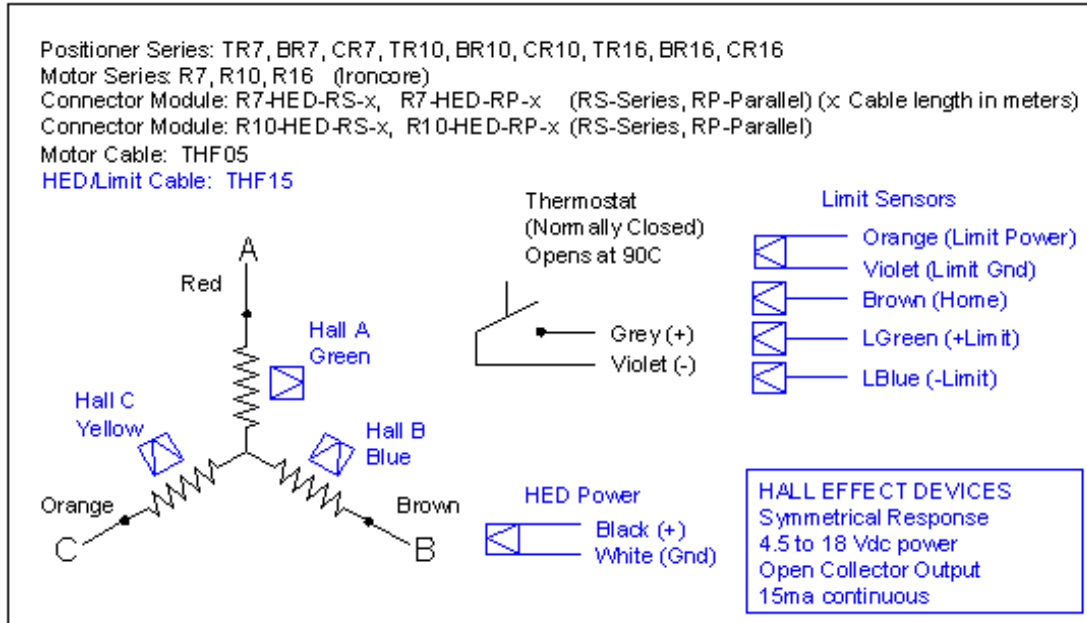


Figure 4. Wye connected R5, R7, R9, R10, or R16, Triple Parallel Winding, HED Module

