



**Description:** Installation Instructions

**Unit Type**

PF UL Type Ratings 12, 3R, 4, and 4X Rain Hood - All Sizes/Types

**What You Will Need:**

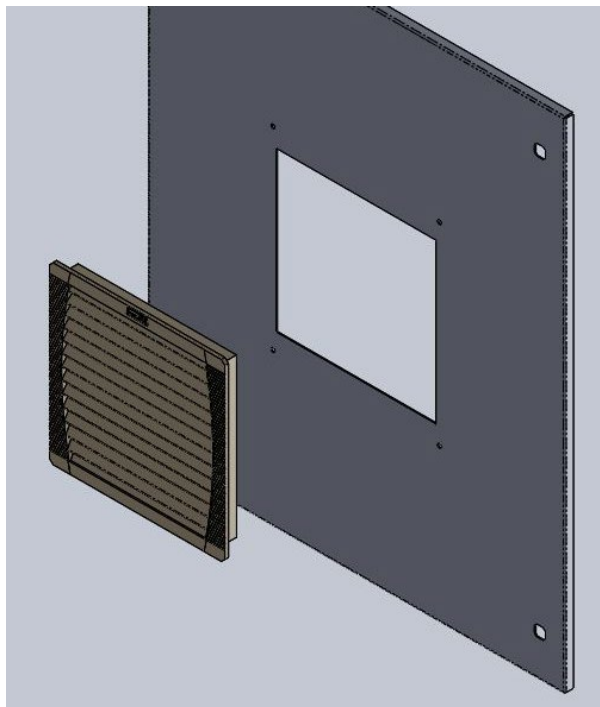
- 3mm Allen Key (if using security fasteners)
- Center Punch
- Drill with 1/4" drill bit
- 7/16" Socket wrench
- 7/16" Open end wrench
- Tape Measure

Fan Size	Corresponding RainHood
PF11000	PF-RH/SH 20000
PF 20000	PF-RH/SH 20000
PF 30000	PF-RH/SH 30000
PF 40000	PF-RH/SH 40000
PF 60000	PF-RH/SH 60000

**Procedure:**

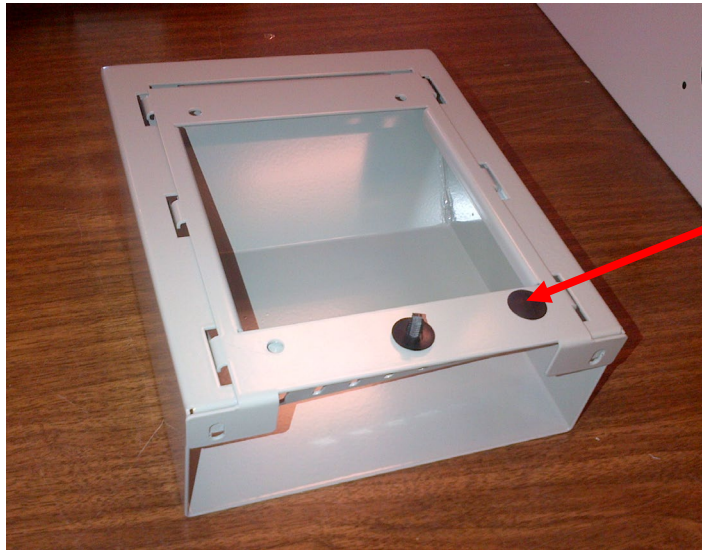
**“Caution should be taken in performing this operation. Only qualified personnel should attempt to perform this task.**

1. Filter/fan to be installed before UL Type 12 / 3R / 4 / 4X rain hood is installed. Refer to Pfannenber filter fan installation manual #085408082.
2. Only listed FTTA or R/C NITW 2 Pfannenber series PF/PFA Filter Fan kits can be installed under the rainhoods

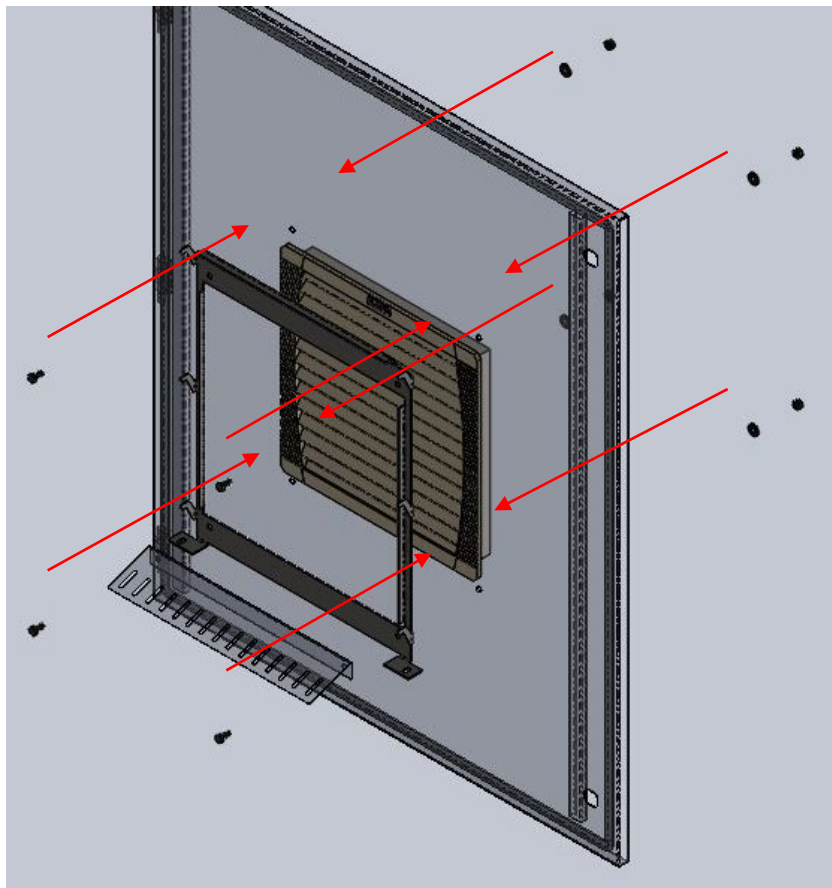


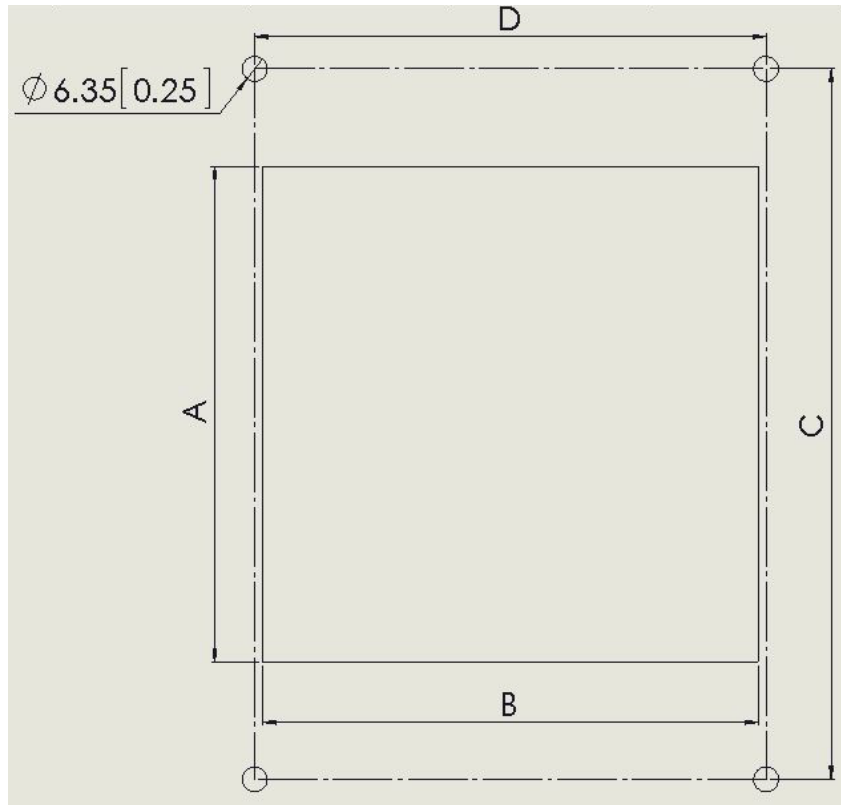
A-	9/18/18	MR				
Index/index	Änderung/change	Datum/date	Name/name	Geprüft/inspect:	Datum/date	

3. Remove Rain hood frame and spray deflector from packaging and remove plastic plug to separate the two pieces. Plastic plug can be discarded. Using frame piece, mark and drill (4x) 1/4" holes around filter fan in enclosure wall. Refer to drill detail on next page. Install frame piece and spray deflector on outside enclosure as shown. Sealing washers and lock-nuts to be on inside of enclosure wall. See assembled view on next page.

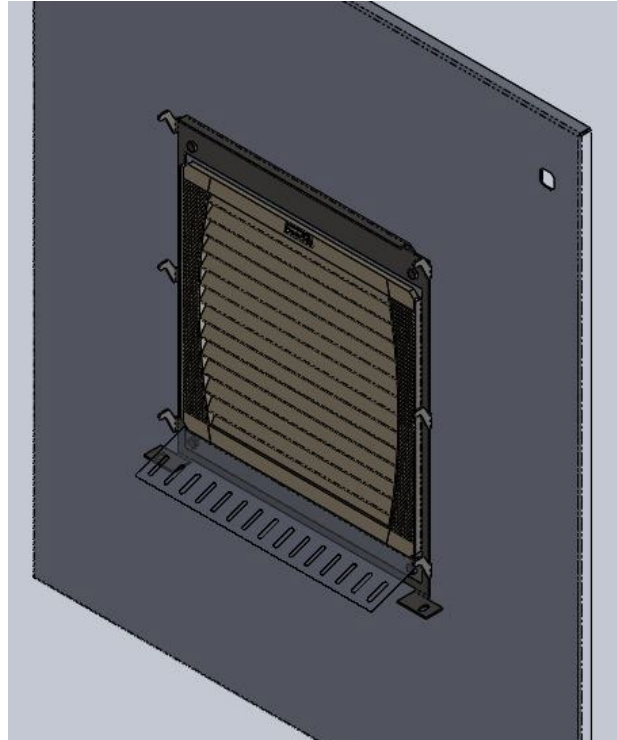


Remove shipping plug to  
Separate frame from  
spray deflector.



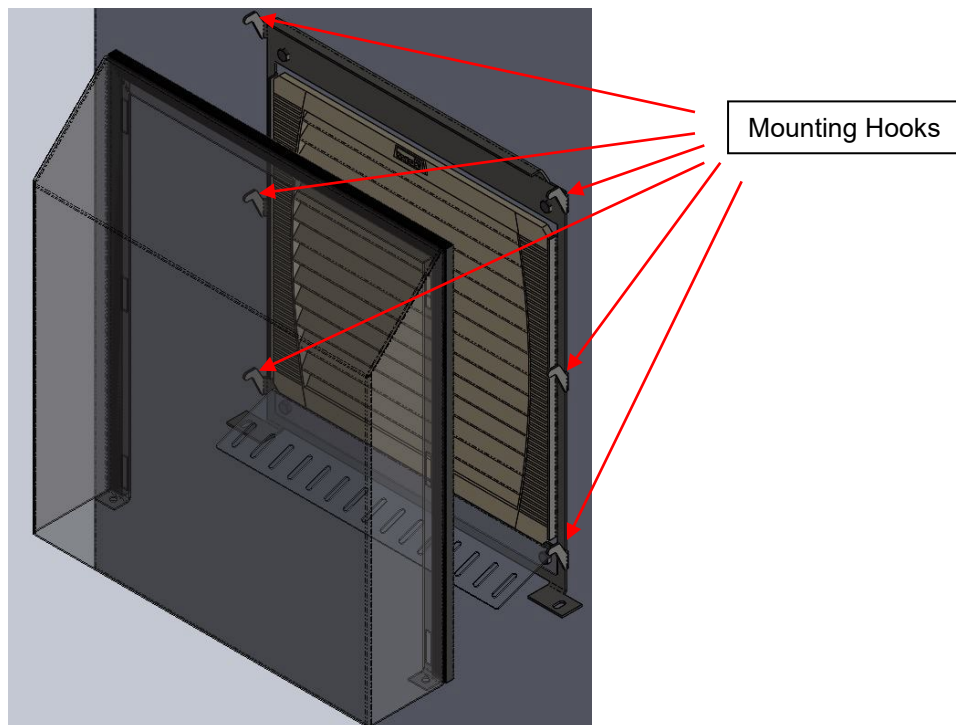


FAN MODEL	CUTOUT DIMENSIONAL CHART (mm)			
	A	B	C	D
PF11000	92	92	179	129
PF 20000	125	125	179	129
PF 30000	177	177	236	186
PF 40000	223	223	286	236
PF 60000	291	291	354	307



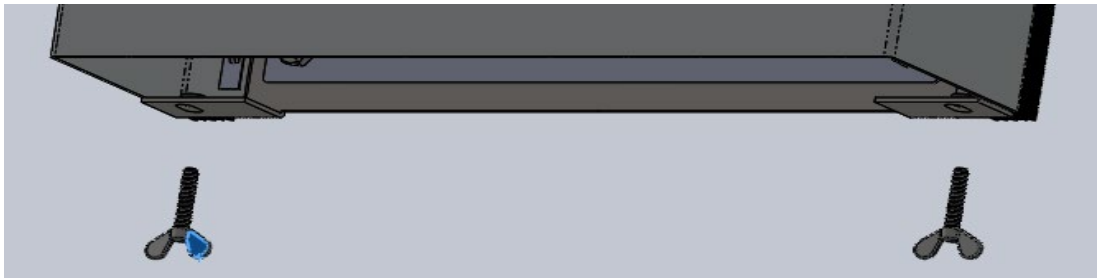
Assembled Frame with Spray Deflector (deflector transparent for clarity)

4. Place rain hood cover onto mounted frame by lining up cover slots with the 6 mounting hooks on the frame piece.

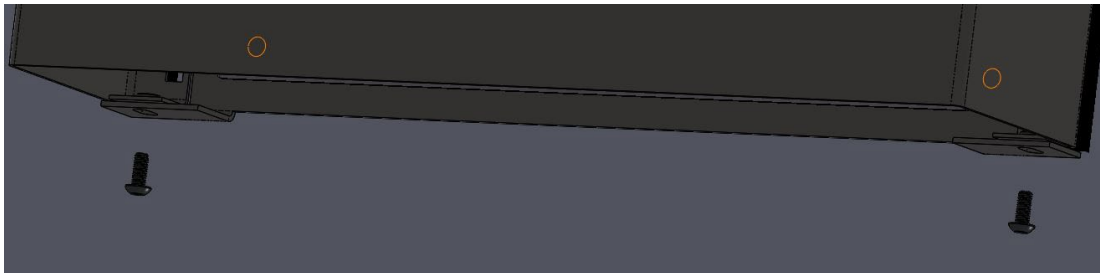


5. Insert wing screw or Allen fasteners through bottom tabs in frame and into the Pennuts on the tabs of the cover. Tighten fasteners down by hand (standard) or with a 3mm allen key (security). As fasteners are tightened, cover will be pulled down onto the frame and the cover gasket will be compressed against the outer

enclosure wall, creating a seal. Tighten until tabs on cover contact tabs on mounting frame (approximately 5 Newton-meters torque).



Tool-less wing screw fasteners (Standard)



Allen fastener (security option)

If further technical support is needed, please contact Pfannenberg at 716-685-6866 or [service@pfannenbergusa.com](mailto:service@pfannenbergusa.com)

**68 Ward Rd., Lancaster NY U.S.A. • (716) 685-6866 • Fax (716) 681-1521**  
**Pfannenberg – Electro-Technology For Industry**  
**Website: [www.Pfannenbergusa.com](http://www.Pfannenbergusa.com)**