

## Up to PL e of EN ISO 13849-1 PNOZ s3



Safety relay for monitoring E-STOP pushbuttons, safety gates and light beam devices

### Approvals

	PNOZ s3
	◆
	◆
	◆

### Unit features

- ▶ Positive-guided relay outputs:
  - 2 safety contacts (N/O), instantaneous
- ▶ 1 semiconductor output
- ▶ Connection options for:
  - E-STOP pushbutton
  - Safety gate limit switch
  - Reset button
  - Light barriers
  - PSEN
- ▶ A connector can be used to connect 1 PNOZsigma contact expander module
- ▶ Operating modes can be set via rotary switch
- ▶ LED indicator for:
  - Supply voltage
  - Input status, channel 1
  - Input status, channel 2
  - Switch status channel 1/2
  - Reset circuit
  - Error
- ▶ Plug-in connection terminals (either spring-loaded terminal or screw terminal)

### Unit description

The safety relay meets the requirements of EN 60947-5-1, EN 60204-1 and VDE 0113-1 and may be used in applications with

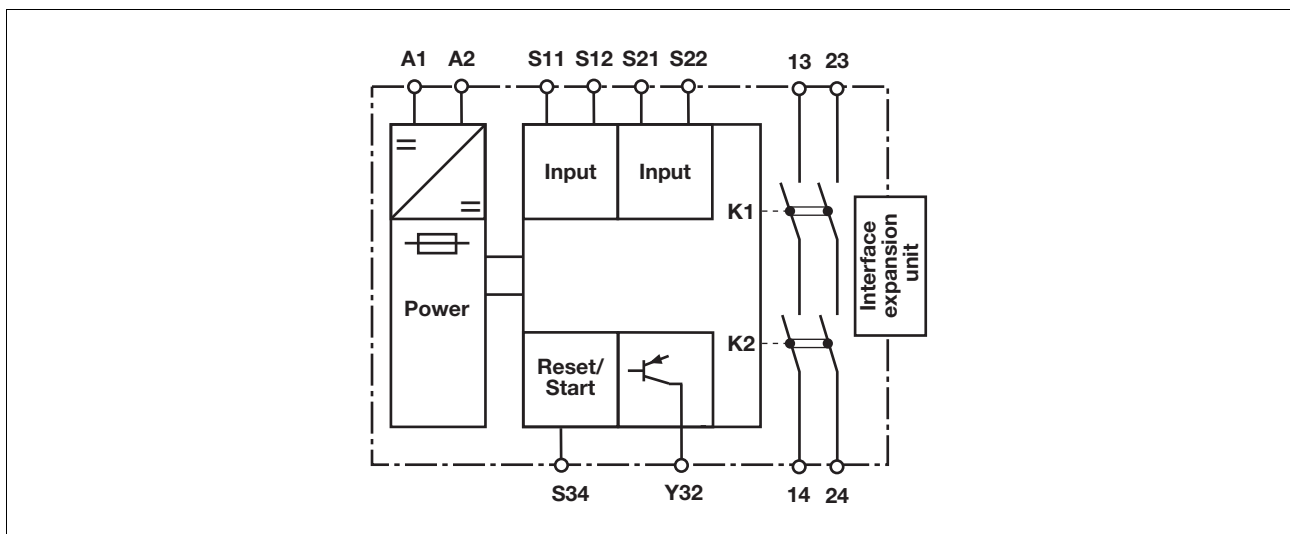
- ▶ E-STOP pushbuttons
- ▶ Safety gates
- ▶ Light beam devices

### Safety features

The relay meets the following safety requirements:

- ▶ The circuit is redundant with built-in self-monitoring.
- ▶ The safety function remains effective in the case of a component failure.
- ▶ The correct opening and closing of the safety function relays is tested automatically in each on-off cycle.
- ▶ The unit has an electronic fuse.

### Block diagram

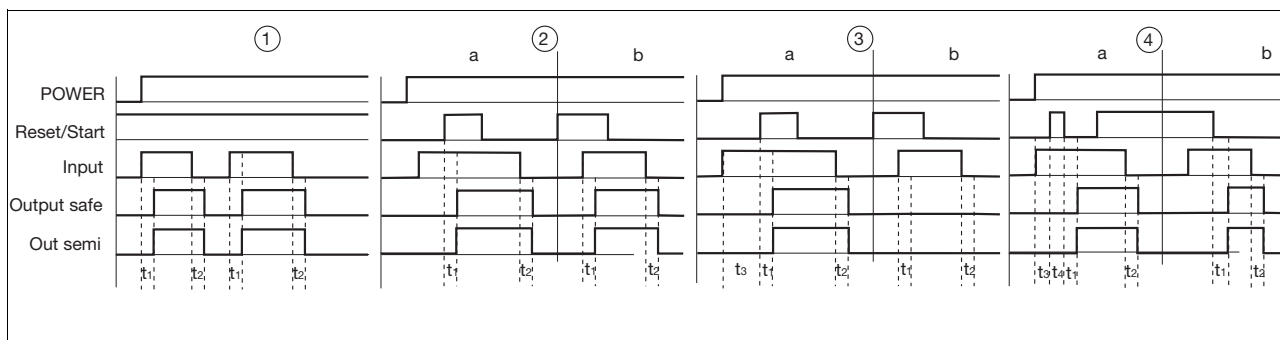


## Up to PL e of EN ISO 13849-1 PNOZ s3

### Function description

- ▶ Single-channel operation: no redundancy in the input circuit, earth faults in the reset circuit and input circuit are detected.
- ▶ Dual-channel operation without detection of shorts across contacts: redundant input circuit, detects
  - earth faults in the reset and input circuit,
  - short circuits in the input circuit and, with a monitored reset, in the reset circuit too.
- ▶ Dual-channel operation with detection of shorts across contacts: redundant input circuit, detects
  - earth faults in the reset and input circuit,
  - short circuits in the input circuit and, with a monitored reset, in the reset circuit too.
- short circuits in the input circuit and, with a monitored reset, in the reset circuit too,
- shorts between contacts in the input circuit.
- ▶ Automatic reset: Unit is active once the input circuit has been closed.
- ▶ Manual reset: Unit is active once the input circuit is closed and then the reset circuit is closed.
- ▶ Monitored reset with falling edge: Unit is active once
  - the input circuit is closed and then the reset circuit is closed and opened again.
  - the reset circuit is closed and then opened again once the input circuit is closed.
- ▶ Monitored reset with rising edge: Unit is active once the input circuit is closed and once the reset circuit is closed after the waiting period has elapsed (see technical details).
- ▶ Reset with start-up test: The unit checks whether safety gates that are closed are opened and then closed again when supply voltage is applied.
- ▶ Increase in the number of available instantaneous safety contacts by connecting contact expander modules or external contactors/relays; A connector can be used to connect 1 PNOZsigma contact expander module.

### Timing diagram



### Key

- ▶ Power: Supply voltage
- ▶ Reset/Start: Reset circuit S12-S34
- ▶ Input: Input circuits S11-S12, S 21-S22
- ▶ Output safe: Safety contacts 13-14, 23-24
- ▶ Out semi: Semiconductor output Y32
- ▶ ①: Automatic reset
- ▶ ②: Manual reset
- ▶ ③: Monitored reset with rising edge
- ▶ ④: Monitored reset with falling edge
- ▶ a: Input circuit closes before reset circuit
- ▶ b: Reset circuit closes before input circuit
- ▶ t<sub>1</sub>: Switch-on delay
- ▶ t<sub>2</sub>: Delay-on de-energisation
- ▶ t<sub>3</sub>: Waiting period
- ▶ t<sub>4</sub>: Waiting period reset circuit was closed

### Wiring

#### Please note:

- ▶ Information given in the “Technical details” must be followed.
- ▶ Outputs 13-14, 23-24 are safety contacts.
- ▶ To prevent contact welding, a fuse should be connected before the output contacts (see technical details).
- ▶ Calculation of the max. cable runs  $I_{max}$  in the input circuit:

$$I_{max} = \frac{R_{lmax}}{R_l / km}$$

$R_{lmax}$  = max. overall cable resistance (see technical details)  
 $R_l / km$  = cable resistance/km

- ▶ Use copper wire that can withstand 60/75 °C.
- ▶ Sufficient fuse protection must be provided on all output contacts with capacitive and inductive loads.

## Up to PL e of EN ISO 13849-1 PNOZ s3

### Preparing for operation

► Supply voltage

Supply voltage	AC	DC
	/	

► Input circuit

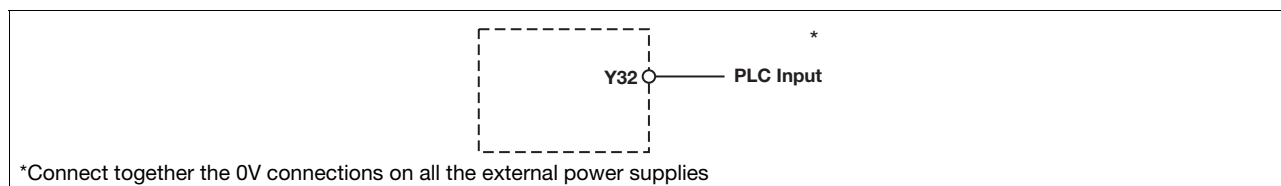
Input circuit	Single-channel	Dual-channel
E-STOP <b>without</b> detection of shorts across contacts		
E-STOP <b>with</b> detection of shorts across contacts	/	
Safety gate <b>without</b> detection of shorts across contacts		
Safety gate <b>with</b> detection of shorts across contacts	/	
Light beam device or safety switch <b>with</b> detection of shorts across contacts via ESPE	/	

## Up to PL e of EN ISO 13849-1 PNOZ s3

### ▶ Reset circuit/feedback loop

Reset circuit/feedback loop	Reset circuit	Feedback circuit
Automatic reset		
Manual/monitored reset		

### ▶ Semiconductor output

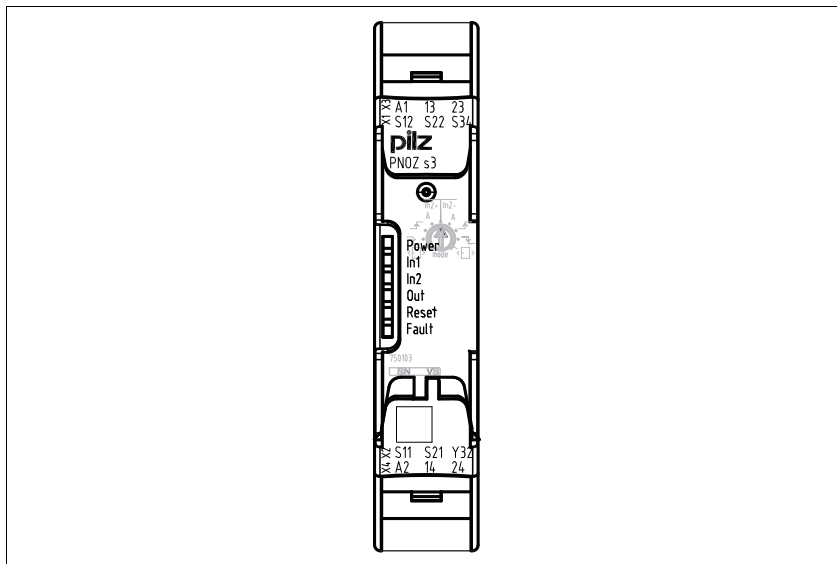


### ▶ Key

S1/S2	E-STOP/safety gate switch
S3	Reset button
	Switch operated
	Gate open
	Gate closed

## Up to PL e of EN ISO 13849-1 PNOZ s3

### Terminal configuration



### Installation

#### Install base unit without contact expander module:

- ▶ Ensure that the plug terminator is inserted at the side of the unit.

#### Connect base unit and PNOZsigma contact expander module:

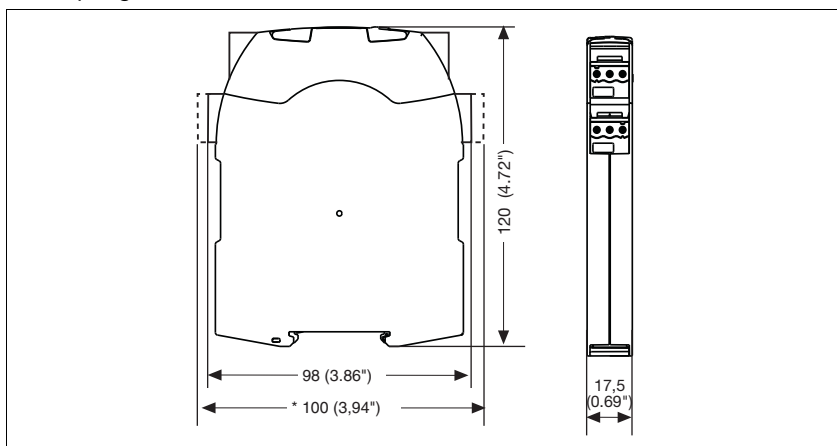
- ▶ Remove the plug terminator at the side of the base unit and at the contact expander module.
- ▶ Connect the base unit and the contact expander module to the supplied connector before mounting the units to the DIN rail.

#### Installation in control cabinet

- ▶ The safety relay should be installed in a control cabinet with a protection type of at least IP54.
- ▶ Use the notch on the rear of the unit to attach it to a DIN rail (35 mm).
- ▶ When installed vertically: Secure the unit by using a fixing element (e.g. retaining bracket or end angle).
- ▶ Push the unit upwards or downwards before lifting it from the DIN rail.

### Dimensions

\*with spring-loaded terminals



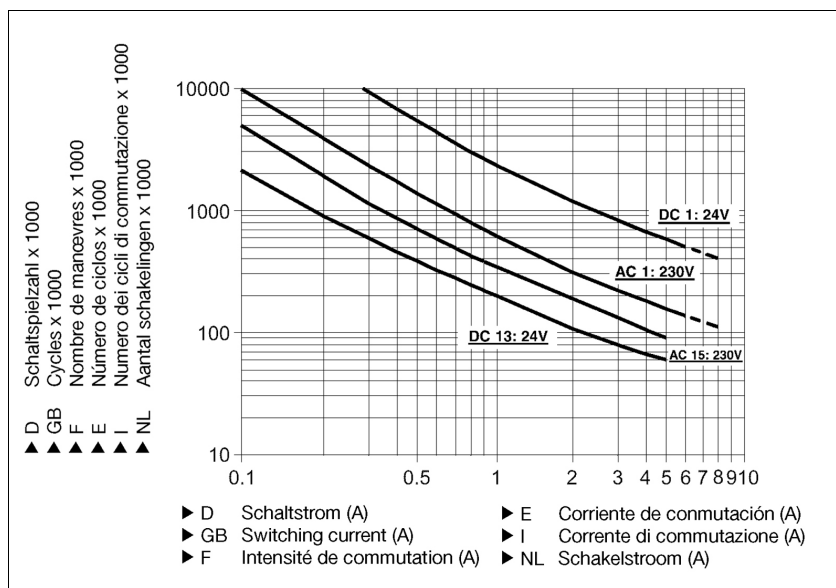
## Up to PL e of EN ISO 13849-1 PNOZ s3

### Notice

This data sheet is only intended for use during configuration. For installation and operation, please refer to the operating instructions supplied with the unit.

### Service life graph

The service life graphs indicate the number of cycles from which failures due to wear must be expected. The wear is mainly caused by the electrical load; the mechanical load is negligible.



### Example

- ▶ Inductive load: 0,2 A
- ▶ Utilisation category: AC15
- ▶ Contact service life: 2,000,000 cycles

Provided the application requires fewer than 2,000,000 cycles, the PFH value (see technical details) can be used in the calculation.

To increase the service life, sufficient spark suppression must be provided on all output contacts. With capacitive loads, any power surges that occur must be noted. With contactors, use freewheel diodes for spark suppression.

### Technical details

#### Electrical data

Supply voltage	
Supply voltage $U_B$ DC	<b>24 V</b>
Voltage tolerance	<b>-15 %/+10 %</b>
Power consumption at $U_B$ DC	<b>2.5 W</b>
Residual ripple DC	<b>20 %</b>
Voltage and current at	
Input circuit DC: <b>24.0 V</b>	<b>50.0 mA</b>
Reset circuit DC: <b>24.0 V</b>	<b>50.0 mA</b>
Feedback loop DC: <b>24.0 V</b>	<b>50.0 mA</b>
Number of output contacts	
Safety contacts (S) instantaneous:	<b>2</b>

## Up to PL e of EN ISO 13849-1 PNOZ s3

<b>Electrical data</b>	
Utilisation category in accordance with <b>EN 60947-4-1</b>	
Safety contacts: AC1 at <b>240 V</b>	$I_{\min}$ : 0.01 A , $I_{\max}$ : 6.0 A $P_{\max}$ : 1500 VA
Safety contacts: DC1 at <b>24 V</b>	$I_{\min}$ : 0.01 A , $I_{\max}$ : 6.0 A $P_{\max}$ : 150 W
Utilisation category in accordance with <b>EN 60947-5-1</b>	
Safety contacts: AC15 at <b>230 V</b>	$I_{\max}$ : 5.0 A
Safety contacts: DC13 at <b>24 V</b> (6 cycles/min)	$I_{\max}$ : 5.0 A
Conventional thermal current	<b>6.0 A</b>
Contact material	<b>AgCuNi + 0.2 µm Au</b>
External contact fuse protection ( $I_k = 1$ kA) to <b>EN 60947-5-1</b>	
Blow-out fuse, quick	
Safety contacts:	<b>10 A</b>
Blow-out fuse, slow	
Safety contacts:	<b>6 A</b>
Circuit breaker 24 VAC/DC, characteristic B/C	
Safety contacts:	<b>6 A</b>
Semiconductor outputs (short circuit proof)	<b>24.0 V DC, 20 mA</b>
Max. overall cable resistance $R_{l\max}$ input circuits, reset circuits	
single-channel at $U_B$ DC	<b>30 Ohm</b>
dual-channel without detect. of shorts across contacts at $U_B$ DC	<b>60 Ohm</b>
dual-channel with detect. of shorts across contacts at $U_B$ DC	<b>30 Ohm</b>
Min. input resistance when switching on	<b>110 Ohm</b>
<b>Safety-related characteristic data</b>	
PL in accordance with <b>EN ISO 13849-1: 2006</b>	<b>PL e (Cat. 4)</b>
Category in accordance with <b>EN 954-1</b>	<b>Cat. 4</b>
SIL CL in accordance with <b>EN IEC 62061</b>	<b>SIL CL 3</b>
PFH in accordance with <b>EN IEC 62061</b>	<b>2.31E-09</b>
SIL in accordance with <b>IEC 61511</b>	<b>SIL 3</b>
PFD in accordance with <b>IEC 61511</b>	<b>2.03E-06</b>
$T_M$ [year] in accordance with <b>EN ISO 13849-1: 2006</b>	<b>20</b>
<b>Times</b>	
Switch-on delay	
with automatic reset typ.	<b>170 ms</b>
with automatic reset max.	<b>300 ms</b>
with automatic reset after power on typ.	<b>350 ms</b>
with automatic reset after power on max.	<b>600 ms</b>
with manual reset typ.	<b>40 ms</b>
on monitored reset with rising edge typ.	<b>35 ms</b>
on monitored reset with rising edge max.	<b>50 ms</b>
on monitored reset with falling edge typ.	<b>55 ms</b>
on monitored reset with falling edge max.	<b>70 ms</b>
Delay-on de-energisation	
with E-STOP typ.	<b>10 ms</b>
with E-STOP max.	<b>20 ms</b>
with power failure typ.	<b>40 ms</b>
with power failure max.	<b>60 ms</b>
Recovery time at max. switching frequency 1/s	
after E-STOP	<b>100 ms</b>
after power failure	<b>100 ms</b>
Waiting period with a monitored reset	
with rising edge	<b>120 ms</b>
with falling edge	<b>250 ms</b>
Min. start pulse duration with a monitored reset	
with rising edge	<b>30 ms</b>
with falling edge	<b>100 ms</b>

## Up to PL e of EN ISO 13849-1 PNOZ s3

Times	
Simultaneity, channel 1 and 2	∞
Supply interruption before de-energisation	20 ms
Environmental data	
EMC	EN 60947-5-1, EN 61000-6-2, EN 61000-6-4
Vibration to EN 60068-2-6	
Frequency	10 - 55 Hz
Amplitude	0.35 mm
Climatic suitability	EN 60068-2-78
Airgap creepage in accordance with EN 60947-1	
Pollution degree	2
Overvoltage category	III / II
Rated insulation voltage	250 V
Rated impulse withstand voltage	4.00 kV
Ambient temperature	-10 - 55 °C
Storage temperature	-40 - 85 °C
Protection type	
Mounting (e.g. cabinet)	IP54
Housing	IP40
Terminals	IP20
Mechanical data	
Housing material	
Housing	PC
Front	PC
Cross section of external conductors with screw terminals	
1 core flexible	0.25 - 2.50 mm <sup>2</sup> , 24 - 12 AWG No. 750103
2 core, same cross section, flexible:	
with crimp connectors, without insulating sleeve	0.25 - 1.00 mm <sup>2</sup> , 24 - 16 AWG No. 750103
without crimp connectors or with TWIN crimp connectors	0.20 - 1.50 mm <sup>2</sup> , 24 - 16 AWG No. 750103
Torque setting with screw terminals	0.50 Nm No. 750103
Cross section of external conductors with spring-loaded terminals: Flexible with/without crimp connectors	0.20 - 2.50 mm <sup>2</sup> , 24 - 12 AWG No. 751103
Spring-loaded terminals: Terminal points per connection	2 No. 751103
Stripping length	9 mm No. 751103
Dimensions	
Height	102.0 mm No. 751103 96.0 mm No. 750103
Width	17.5 mm
Depth	120.0 mm
Weight	140 g

No. stands for order number.

It is essential to consider the relay's service life graphs. The relay outputs' safety-related characteristic data is only valid if the values in the service life graphs are met.

The PFH value depends on the switching frequency and the load on the relay output.  
If the service life graphs are not accessible, the stated PFH value can be

used irrespective of the switching frequency and the load, as the PFH value already considers the relay's B10d value as well as the failure rates of the other components.

All the units used within a safety function must be considered when calculating the safety characteristic data.

### INFORMATION

A safety function's SIL/PL values are **not** identical to the SIL/PL values of the units that are used and may be different. We recommend that you use the PAScal software tool to calculate the safety function's SIL/PL values.



## Up to PL e of EN ISO 13849-1 PNOZ s3

The standards current on **2006-04** apply.

### Order reference

Type	Features	Terminals	Order no.
PNOZ s3	24 VDC	With screw terminals	750 103
PNOZ s3 C	24 VDC	With spring-loaded terminals	751 103