

Up to PL e of EN ISO 13849-1 PSWZ X1P



Standstill monitor for safe standstill monitoring

Approvals

PSWZ X1P	
	◆
	◆
	◆

Unit features

- ▶ Positive-guided relay outputs:
 - 2 safety contacts (N/O), instantaneous
 - 1 auxiliary contact (N/C), instantaneous
- ▶ LED indicator for:
 - Supply voltage
 - Standstill on channel 1/2
 - Switch status
 - Fault signal if simultaneity time is exceeded
- ▶ Semiconductor outputs signal:
 - Error
 - Switch status
- ▶ Semiconductor input for reset function
- ▶ Measuring inputs for single or three-phase motors
- ▶ Measuring voltage selectable
- ▶ Feedback loop
- ▶ Plug-in connection terminals (either spring-loaded terminal or screw terminal)
- ▶ See order reference for unit types

Unit description

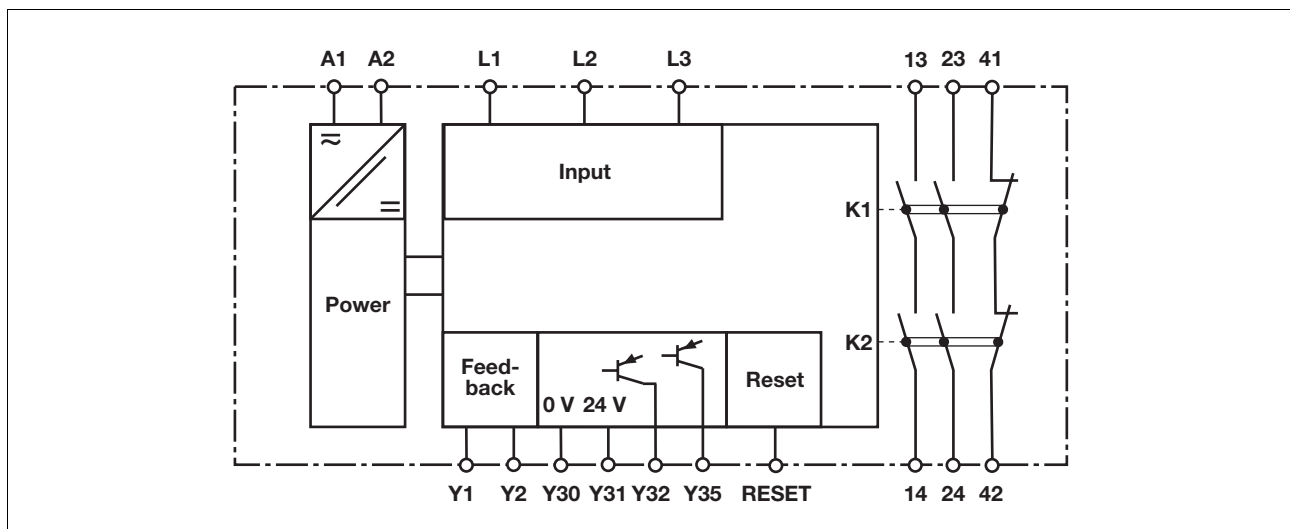
The unit is used for safe standstill monitoring. It is designed for use on

- ▶ Standstill monitoring functions on plants with dangerous machine parts or tools (EN 1088 clause 7.4),
 - ▶ Safety circuits in accordance with EN 60204-1 and IEC 60204-1.
- Standstill is only detected on power-free measuring circuits. Residual voltages, induced voltages or drives within the position control will prevent safe standstill detection!

Safety features

- ▶ Relays K1 and K2 are interlocked in such a way that the unit cannot be switched back on in the case of contact welding or an open circuit.
- ▶ The unit monitors the measuring circuits for open circuit. If an open circuit occurs between the unit and the motor or on the motor itself, the unit immediately switches off.
- ▶ The standstill monitor prevents the plant from being enabled in the following cases
 - Power supply failure
 - Component failure
 - Measuring circuits are open circuit
 - Coil defect/open circuit

Block diagram



Up to PL e of EN ISO 13849-1 PSWZ X1P

Function description

The device uses two separate measuring channels to measure the regenerated voltage, induced from the motor during the rundown period or during start-up. If the voltage falls below the set response value (standstill threshold), the standstill monitor enables the monitored plant. If the voltage exceeds the set release value, the standstill monitor disables the monitored plant.

To reactivate, the voltage at both channels must fall below the response value U_{on} within the time t_g (simultaneity monitoring). To do this the feedback loop Y1-Y2 must be closed. If the

simultaneity requirement is exceeded, the standstill monitor does not enable the monitored plant. The unit can be reactivated by switching 24 VDC on and off at the RESET input.

The response value U_{on} can be set jointly for both channels in order to suit the motor that is to be monitored. The release value U_{off} (hysteresis) corresponds to twice the response value. When used with frequency converters, the PSWZ X1P cannot detect standstill until the controller inhibit has been switched off.

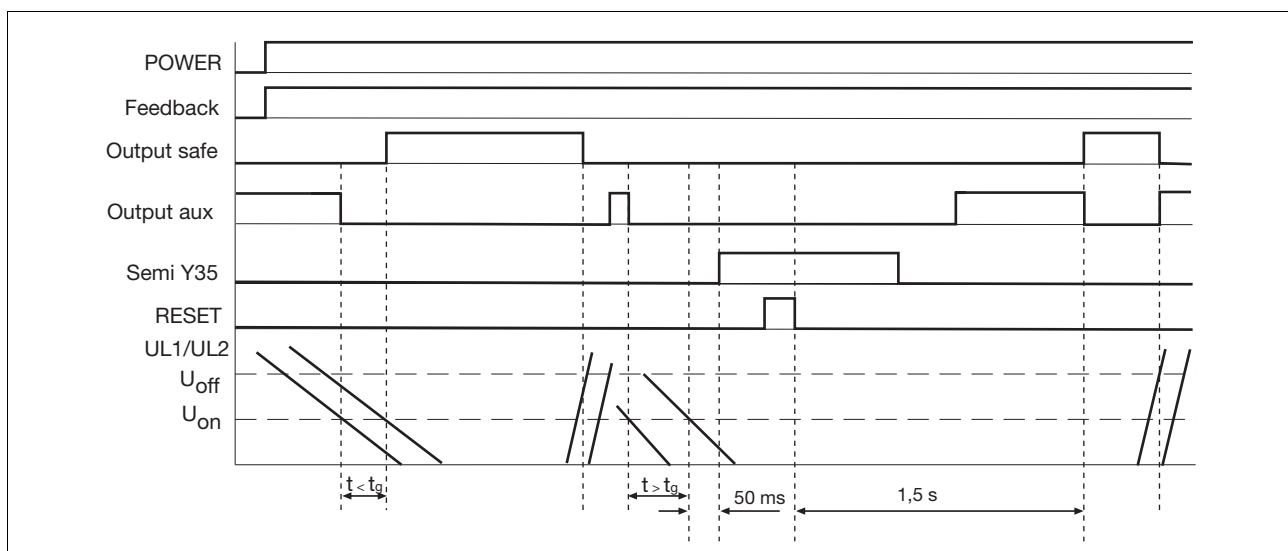
After the supply voltage is switched on, the unit performs a self test. The unit simulates a situation in which the release value is exceeded and the

measuring circuit has an open circuit. The correct function of the output relay and feedback loop is also tested. The test takes ca. 1.5 s.

Operating modes:

- ▶ Single-phase operation:
 - One measuring circuit (calculated at two different measuring points) affects both channels
- ▶ Three-phase operation:
 - Two redundant (identical) measuring circuits affect channel 1 and 2
 - Voltages in the measuring circuit are monitored (failsafe in the event of a short circuit)

Timing diagram



Key

- ▶ POWER: Supply voltage
- ▶ UL1/UL2: Input circuit L1, L2, L3
- ▶ Feedback: Feedback loop Y1-Y2
- ▶ Output safe: Safety contacts 13-14, 23-24
- ▶ Output aux: Auxiliary contact 41-42
- ▶ Semi Y35: Semiconductor output for fault signal
- ▶ RESET: Reset input RESET
- ▶ U_{on} : Response value
- ▶ U_{off} : Release value
- ▶ t_g : Simultaneity

Wiring

Please note:

- ▶ Information given in the "Technical details" must be followed.
- ▶ Outputs 13-14, 23-24 are safety contacts, output 41-42 is an auxiliary contact (e.g. for display).
- ▶ To prevent contact welding, a fuse should be connected before the output contacts (see technical details).
- ▶ Use copper wire that can withstand 60/75 °C.
- ▶ When used with converters: Use screened cable for the wiring between the standstill monitor and the motor. Connect the cable screening on the motor.

Up to PL e of EN ISO 13849-1 PSWZ X1P

Preparing for operation

▶ Supply voltage

Supply voltage	AC	DC

▶ Input circuit

Input circuit	Single-phase motor	Three-phase motor

▶ Feedback loop

Contacts from external contactors or link		

▶ Semiconductor output

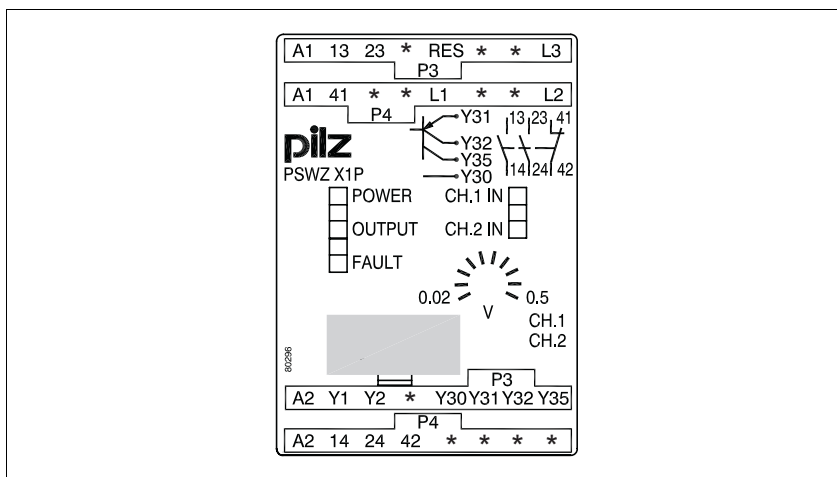
Y32: Semiconductor output for switch status Y35: Semiconductor output for fault signal	

▶ Semiconductor input

--

Up to PL e of EN ISO 13849-1 PSWZ X1P

Terminal configuration

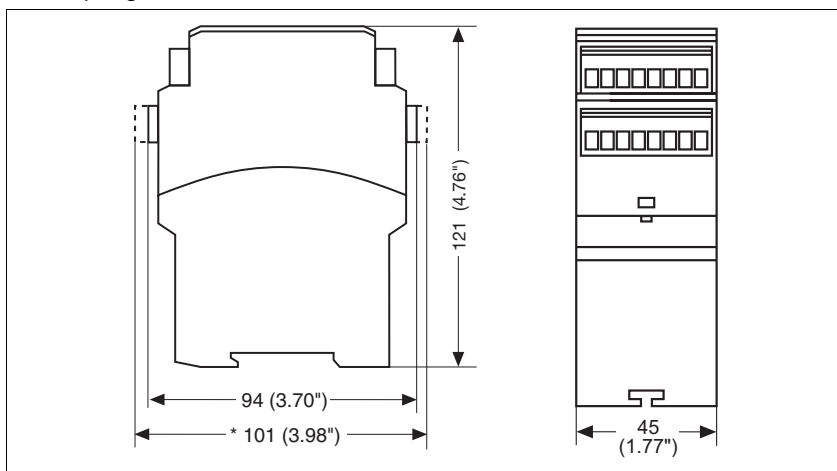


Installation

- ▶ The safety relay should be installed in a control cabinet with a protection type of at least IP54.
- ▶ Use the notch on the rear of the unit to attach it to a DIN rail.
- ▶ Ensure the unit is mounted securely on a vertical DIN rail (35 mm) by using a fixing element (e.g. retaining bracket or an end angle).

Dimensions

* with spring-loaded terminals

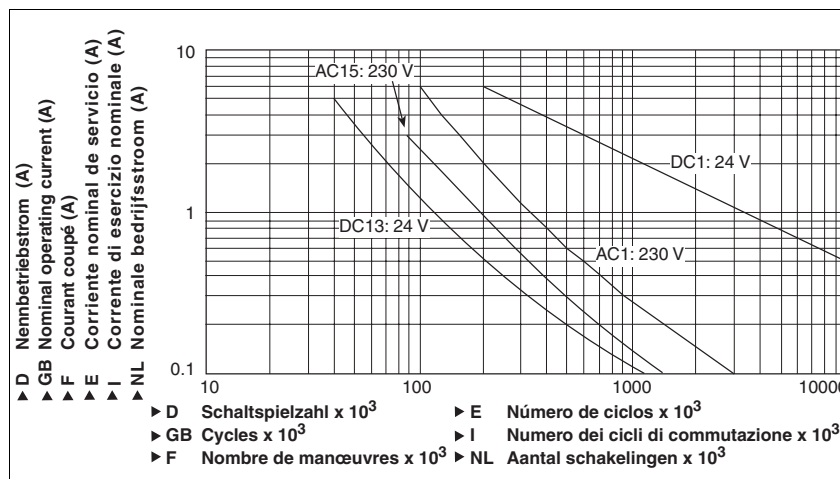


Up to PL e of EN ISO 13849-1 PSWZ X1P

Notice

This data sheet is only intended for use during configuration. For installation and operation, please refer to the operating instructions supplied with the unit.

Service life graph



Technical details

Electrical data

Supply voltage	
Supply voltage U_B AC/DC	24 - 240 V
Voltage tolerance	-15 %/+10 %
Power consumption at U_B AC	5.0 VA
Power consumption at U_B DC	3.0 W
Frequency range AC	50 - 60 Hz
Residual ripple DC	160 %
Voltage and current at Feedback loop DC: 24.0 V	35.0 mA
Number of output contacts	
Safety contacts (S) instantaneous:	2
Auxiliary contacts (N/C):	1
Utilisation category in accordance with EN 60947-4-1	
Safety contacts: AC1 at 240 V	$I_{min}: 0.01 A, I_{max}: 6.0 A$ $P_{max}: 1500 VA$
Safety contacts: DC1 at 24 V	$I_{min}: 0.01 A, I_{max}: 6.0 A$ $P_{max}: 150 W$
Auxiliary contacts: AC1 at 240 V	$I_{min}: 0.01 A, I_{max}: 6.0 A$ $P_{max}: 1500 VA$
Auxiliary contacts: DC1 at 24 V	$I_{min}: 0.01 A, I_{max}: 6.0 A$ $P_{max}: 150 W$
Utilisation category in accordance with EN 60947-5-1	
Safety contacts: AC15 at 230 V	$I_{max}: 3.0 A$
Safety contacts: DC13 at 24 V (6 cycles/min)	$I_{max}: 4.0 A$
Auxiliary contacts: AC15 at 230 V	$I_{max}: 3.0 A$
Auxiliary contacts: DC13 at 24 V (6 cycles/min)	$I_{max}: 4.0 A$
Contact material	AgCuNi + 0.2 µm Au

Up to PL e of EN ISO 13849-1 PSWZ X1P

Electrical data	
External contact fuse protection ($I_k = 1 \text{ kA}$) to EN 60947-5-1	
Blow-out fuse, quick	
Safety contacts:	6 A
Auxiliary contacts:	6 A
Blow-out fuse, slow	
Safety contacts:	4 A
Auxiliary contacts:	4 A
Circuit breaker 24 VAC/DC, characteristic B/C	
Safety contacts:	4 A
Auxiliary contacts:	4 A
Semiconductor outputs (short circuit proof)	24.0 V DC, 50 mA
External supply voltage	24.0 V DC
Voltage tolerance	-20 %/+20 %
Semiconductor input	
High	15 V DC
Low	5 V DC
Input current	20 mA
Measuring circuit	
Input voltage L1-L3, L2-L3	0 - 690 VAC/DC
Input voltage in accordance with UL	0 - 600 VAC
Frequency range AC	0 - 3000 Hz
Input impedance	1300 kOhm
Switching threshold per channel	
Response value U_{on}	120 - 3000 mV No. 777950, 787950 20 - 500 mV No. 777949, 777959, 787949 7.5 - 500 mV No. 777951, 787951
Release value U_{off}	2 x U_{on}
Max. inrush current	10.00 A
Safety-related characteristic data	
PL in accordance with EN ISO 13849-1: 2006	PL e (Cat. 4)
Category in accordance with EN 954-1	Cat. 4
SIL CL in accordance with EN IEC 62061	SIL CL 3
PFH in accordance with EN IEC 62061	6.23E-09
SIL in accordance with IEC 61511	SIL 3
PFD in accordance with IEC 61511	6.47E-05
t_M in years	20
Times	
Switch-on delay	
with automatic reset typ.	1,500 ms
with automatic reset after power on max.	2,200 ms
Delay-on de-energisation after motor on max.	170 ms
Recovery time at max. switching frequency 1/s	
after power failure	2200 ms
Simultaneity, channel 1 and 2	7 s
Supply interruption before de-energisation	20 ms
Environmental data	
EMC	EN 60947-5-1, EN 61000-6-2, EN 61000-6-4
Vibration to EN 60068-2-6	
Frequency	10 - 55 Hz
Amplitude	0.35 mm
Climatic suitability	EN 60068-2-78
Airgap creepage in accordance with EN 60947-1	
Pollution degree	2
Overvoltage category	III
Rated insulation voltage	250 V
Rated impulse withstand voltage	4.00 kV
Ambient temperature	-10 - 55 °C

Up to PL e of EN ISO 13849-1 PSWZ X1P

Environmental data	
Storage temperature	-40 - 85 °C
Protection type	
Mounting (e.g. cabinet)	IP54
Housing	IP40
Terminals	IP20
Mechanical data	
Housing material	
Housing	PPO UL 94 V0
Front	ABS UL 94 V0
Cross section of external conductors with screw terminals	
1 core flexible	0.25 - 2.50 mm ² , 24 - 14 AWG No. 777949, 777950, 777951, 777959
2 core, same cross section, flexible: with crimp connectors, without insulating sleeve	0.25 - 1.00 mm ² , 24 - 16 AWG No. 777949, 777950, 777951, 777959
without crimp connectors or with TWIN crimp connectors	0.50 - 1.50 mm ² , 24 - 16 AWG No. 777949, 777950, 777951, 777959
Torque setting with screw terminals	0.60 Nm No. 777949, 777950, 777951, 777959
Cross section of external conductors with spring-loaded terminals: Flexible with/without crimp connectors	0.20 - 1.50 mm ² , 24 - 16 AWG No. 787949, 787950, 787951
Spring-loaded terminals: Terminal points per connection	2 No. 787949, 787950, 787951
Stripping length	8 mm No. 787949, 787950, 787951
Dimensions	
Height	101.0 mm No. 787949, 787950, 787951 94.0 mm No. 777949, 777950, 777951, 777959
Width	45.0 mm
Depth	121.0 mm
Weight	315 g No. 787949, 787950, 787951 320 g No. 777949, 777950, 777951, 777959

No. stands for order number.

All the units used within a safety function must be considered when calculating the safety characteristic data.

The standards current on **2008-07** apply.

Order reference				
Type	Features		Terminals	Order no.
PSWZ X1P C	24 - 240 VAC/DC	0.02 - 0.5 V	Spring-loaded terminals	787 949
PSWZ X1P	24 - 240 VAC/DC	0.02 - 0.5 V	Screw terminals	777 949
PSWZ X1P C	24 - 240 VAC/DC	0.12 - 3 V	Spring-loaded terminals	787 950
PSWZ X1P	24 - 240 VAC/DC	0.12 - 3 V	Screw terminals	777 950
PSWZ X1P C	24 - 240 VAC/DC	0.0075 - 0.5 V	Spring-loaded terminals	787 951
PSWZ X1P	24 - 240 VAC/DC	0.0075 - 0.5 V	Screw terminals	777 951
PSWZ X1P (coated version)	24 - 240 VAC/DC	0.02 - 0.5 V	Screw terminals	777 959