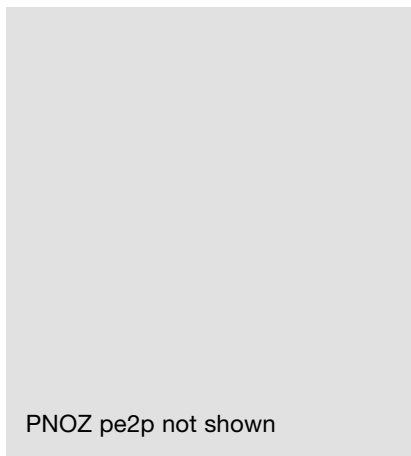



Bus interface PNOZ pe2p



Bus interface for the PNOZpower modular safety system in accordance with EN 60204-1 (VDE 0113-1), 11/98 and IEC 60204-1, 10/97

- ### Features
- Coupler with screw terminals for connecting PNOZpower expansion modules to a master control system
 - Driven via safety contacts or safe semiconductor outputs
 - Single-channel operation without detection of shorts across contacts

Approvals

	PNOZ pe2p
	●

Technical details	PNOZ pe2p
Electrical data	
Supply voltage	DC: 24 V
Tolerance	80 ... 125 %
Residual ripple	48 %
Power consumption	2 W
Voltage and current at	
Input circuit	24 VDC, max. 30 mA
Feedback loop	24 VDC, max. 1 A
Mechanical data	
Cross section of external conductors	
1 core	Flexible: 0.5 ... 1.5 mm ²
2 core with the same cross section	Flexible with crimp connectors, no plastic sleeve: 0.5 ... 1.5 mm ² Flexible, without crimp connectors or with TWIN crimp connectors: 0.5 ... 1.5 mm ²
Torque setting for connection terminals	
	0.25 Nm (screws)
Dimensions (H x W x D)	22 x 23.5 x 29 mm
Weight	20 g

Description

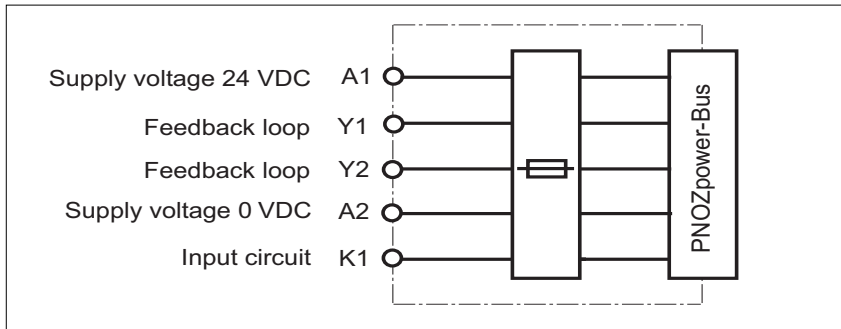
- Connection options for
 - Safety contacts (e.g. PNOZ safety relays)
 - Safe semiconductor outputs (e.g. outputs on the PSS programmable safety system)
- Output connected to PNOZpower bus
- Max. 6 expander modules can be connected
- Connection between PNOZ pe2p and expansion modules via the PNOZpower bus
- Screw terminals for
 - Supply voltage
 - Connecting the inputs and outputs on the master controller
 - Connecting the feedback loop

Operating modes

- Single-channel operation without detection of shorts across contacts
- Detection of shorts across contacts depends on the master controller

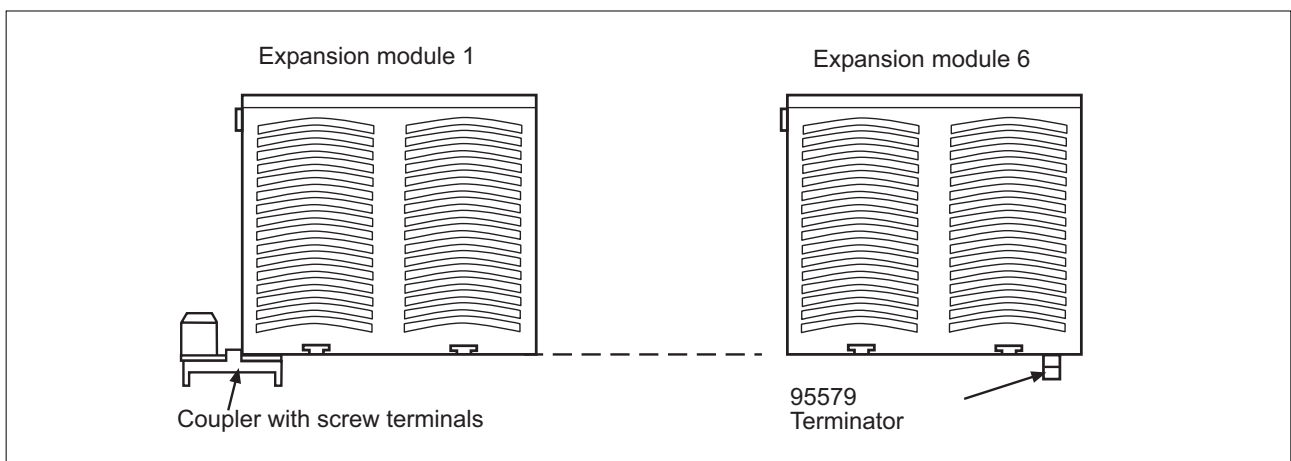
Bus interface PNOZ pe2p

Internal wiring diagram

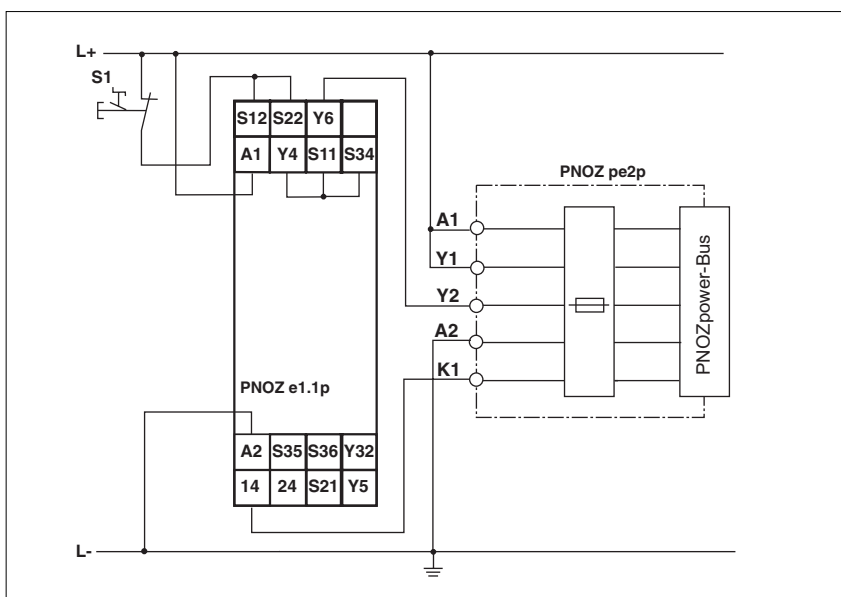


Connection examples

- PNOZpower bus: Bus interface with max. 6 expansion modules, connected via jumpers

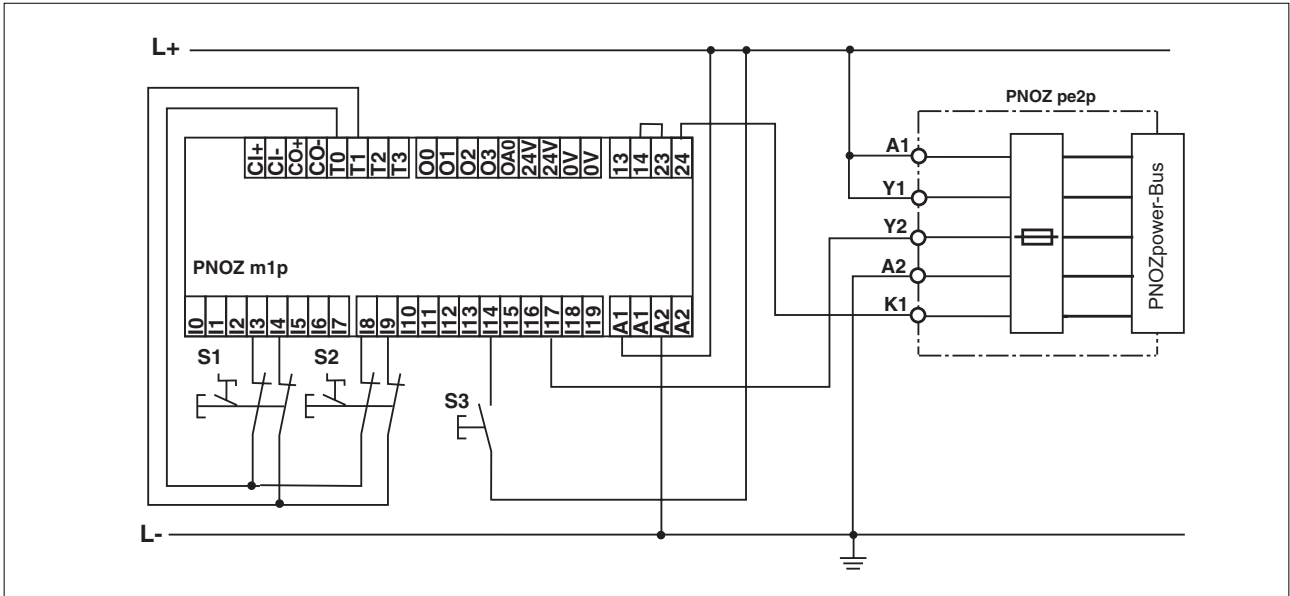


- Example 1
Driven by unit from the PNOZelog-range

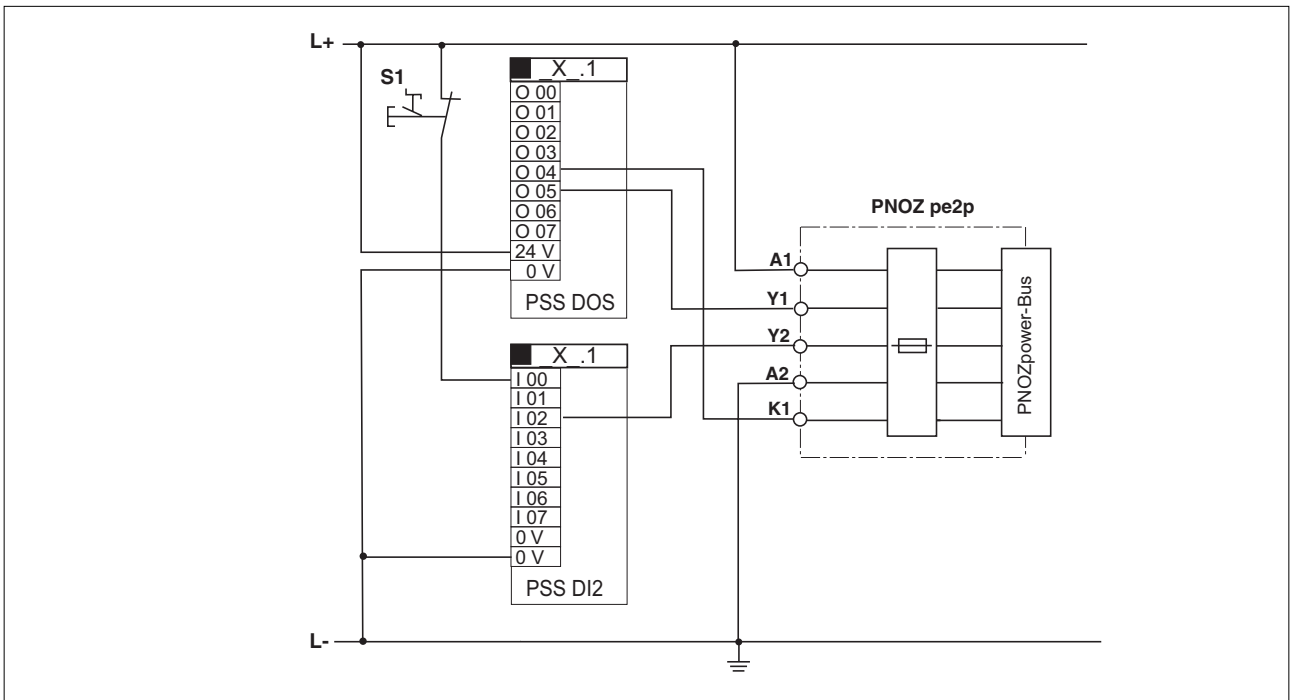


Bus interface PNOZ pe2p

- Example 2
Driven by unit from the PNOZmulti-range



- Example 3
Driven by unit from the PSS-range



Bus interface

PNOZ pe2p

General details

Unless stated otherwise in the technical details for the specific unit.

Electrical data

Frequency range AC	50 ... 60 Hz
Residual ripple DC	160 %
Contact material	AgSnO ₂
Continuous duty	100 %

Environmental data

EMC	EN 61000-4-6, 04/97 EN 61000-6-2, 04/99
Vibration in accordance with EN 60068-2-6, 01/00	Frequency: 10 ... 55 Hz, Amplitude: 0.35 mm
Climate suitability	DIN IEC 60068-2-3, 12/86
Airgap creepage	DIN VDE 0110 Part 1, 04/97
Ambient temperature	-10 ... +55 °C
Storage temperature	-40 ... +85 °C

Mechanical data

Torque setting for connection terminals	0.6 Nm (screws)
Mounting position	Any
Housing material	Front: ABS UL 94 V0 Housing: PPO UL 94 V0
Protection types	Mounting: IP54 Housing: IP40 Terminals: IP20

Units have been tested in accordance with the standards valid at the time of development.

Order reference

Type	U _B	Order no.
PNOZ pe2p	24 VDC	779 125