

1

2

3

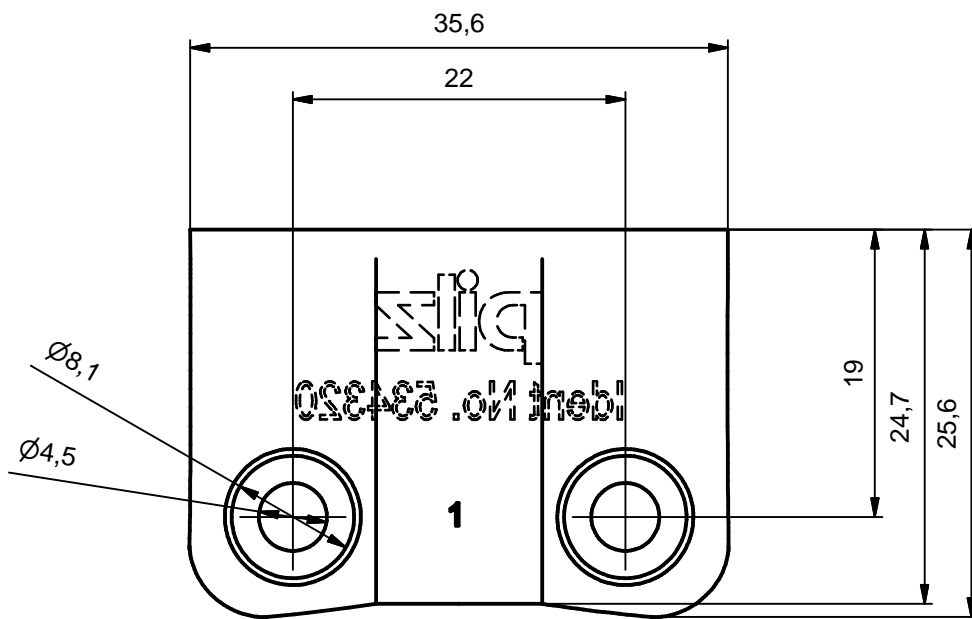
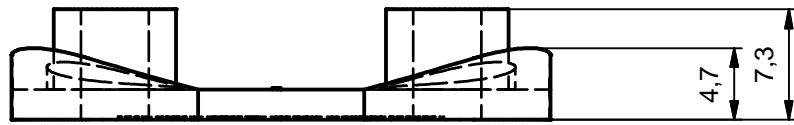
4

A

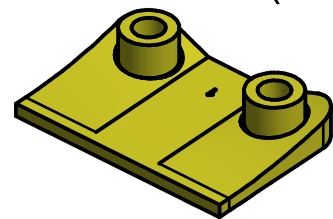
B

C

D



(1:1)


 Observe protection
 note to DIN 34

Index	Change no.	Date	Editor	Checked	Changes			
Scale				Date	Name	Internet Dokument Internet document PSEN mag		
1:2	Created		22.03.2006	EPR				
Material	Checked		15.03.2007	EPR				
-	-	Norm	-	-	All dimensions are in mm 534320			
-	-	Unspecified tolerance						Index
Surface	-	±0.2			C	1	1	
Replaced by	-	-			Substitute for -			