

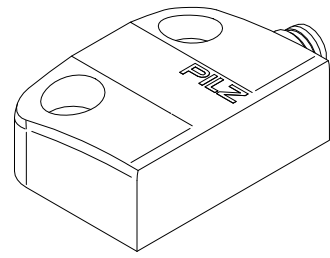
1

2

3

4

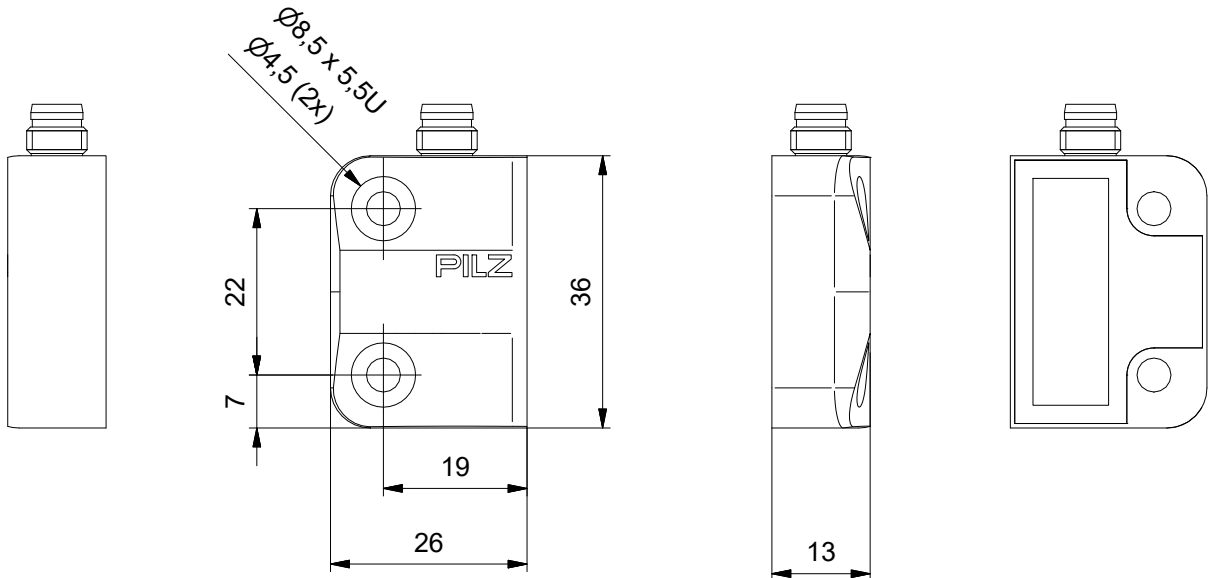
A



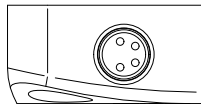
B



C



D



Observe protection note to DIN34	A	H-2243	20.02.2018	ES-PE	ES-PE	-		
	Index	ECO no.	Date	Editor	Checked	-		
	Scale			Date	Name	MODEL: 2025866	DRW: 2025865	
	1:1		Created	15.02.2018	ES-PE	Internet Dokument internet document PSEN_X_1p_switch		
	Material	Checked	15.02.2018	ES-PE				
	-	Norm	-	-				
		All dimensions are in mm				PILZ		
	Surface	Unspecified tolerance						
	-					Mat.-No.	-	of 1
	-							