

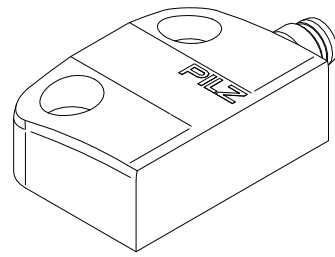
1

2

3

4

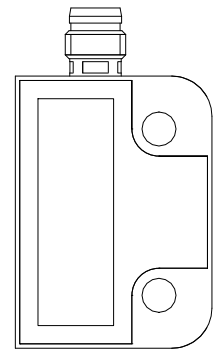
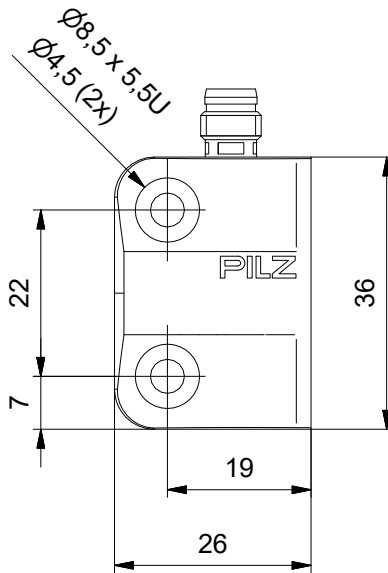
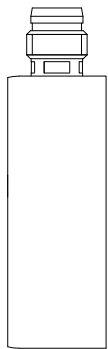
A



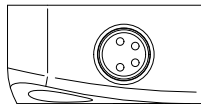
B



C



D



Observe protection note to DIN34	A	H-2243	20.02.2018	ES-PE	ES-PE	-	
	Index	ECO no.	Date	Editor	Checked	-	
	Scale			Date	Name	MODEL: 2025883	DRW: 2025882
	1:1			Created	20.02.2018	ES-PE	Internet Dokument internet document PSEN_X_1p_LED_switch
	Material	Checked	20.02.2018	ES-PE			
	-	Norm	-	-			
		All dimensions are in mm					
	Surface	Unspecified tolerance			Doc.-No.	2025882	Page 1
	-				Mat.-No.	-	of 1
	-						
							PILZ