

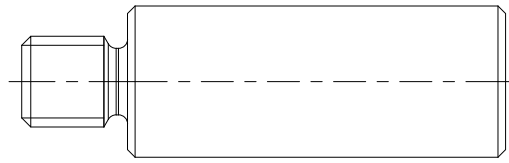
1

2

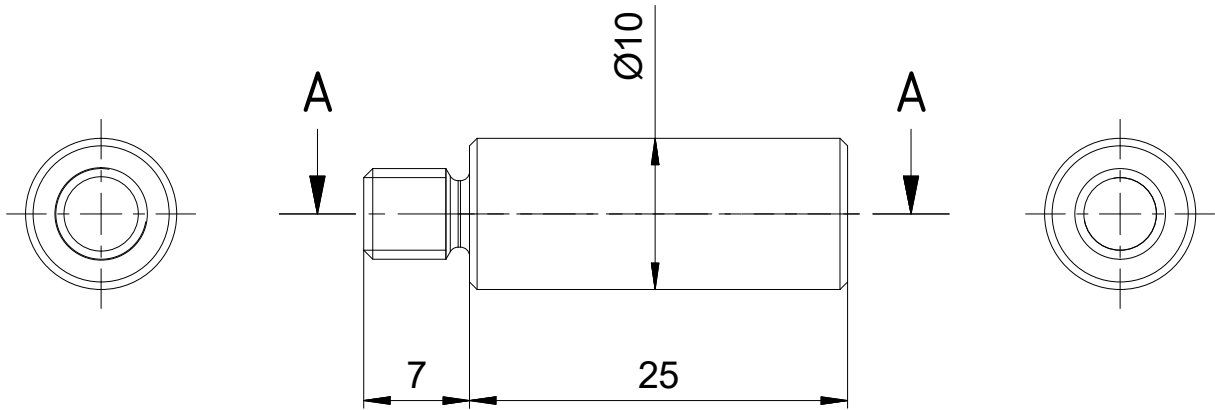
3

4

A

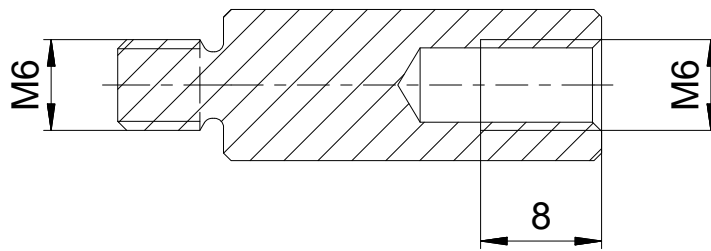


B

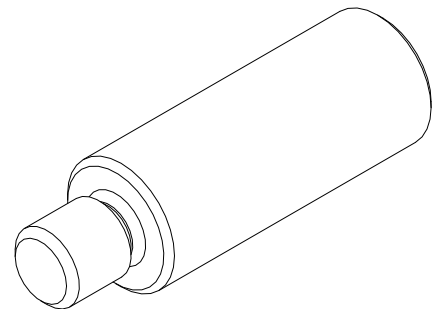


C

A-A



D



Observe protection note to DIN34

A	H-1516	09.01.2018	ES-ST5	ES-ST5	-			
Index	ECO no.	Date	Editor	Checked	-			
Scale				Date	Name	MODEL: 2025710	DRW: 2025709	
2 : 1		Created	09.01.2018	ES-ST5	Internet Dokument			
Material	Checked	23.01.2018	ES-ST5	Internet document				
-	Norm	-	-	PSEN ml escape release extension				
Surface	All dimensions are in mm			Unspecified tolerance		Doc.-No.	2025709	Page 1
-						Mat.-No.	-	of 1