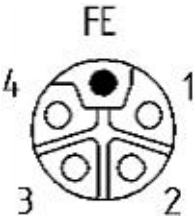
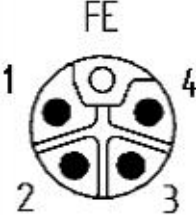


Accessories

M12 5p sh PG 11

Contact assignment

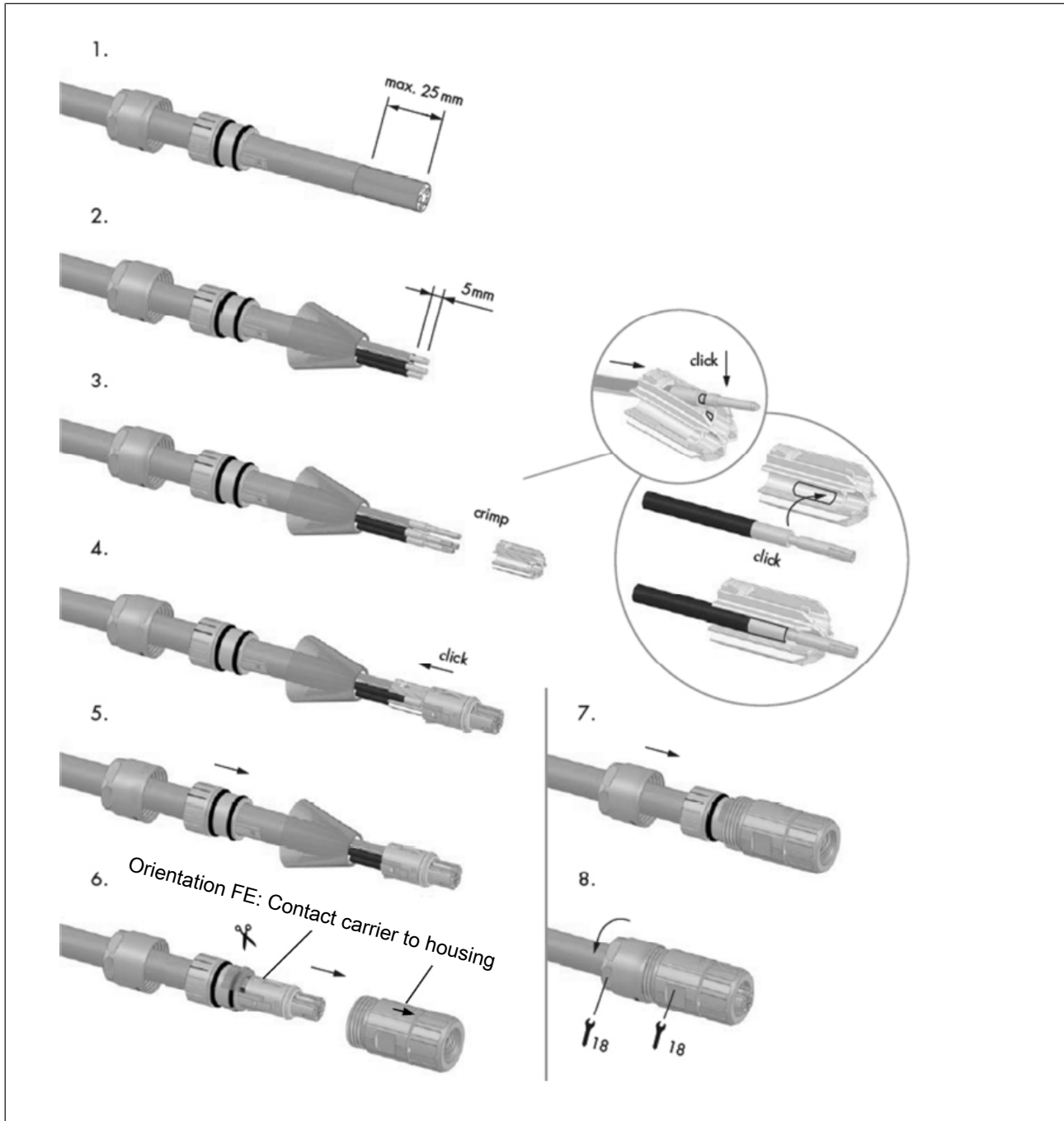
Product type		PIN	Colour coding of cores	Locator setting
M12 con., straight, female, 5 pin, L, S M12, female 5-pin connector (order no. 380 317)	 <p>Plan view of plug-in connector X1</p>	1	Black	P3 (Socket)
		2	Black	P3 (Socket)
		3	Black	P3 (Socket)
		4	Black	P3 (Socket)
		FE	Grey	P1 (Pin)
M12 con., straight, male, 5 pin, L, S M12, male 5-pin connector (order no. 380 318)	 <p>Plan view of plug-in connector X1</p>	1	Black	P1 (Pin)
		2	Black	P1 (Pin)
		3	Black	P1 (Pin)
		4	Black	P1 (Pin)
		FE	Grey	P3 (Socket)

Accessories

M12 5p sh PG 11

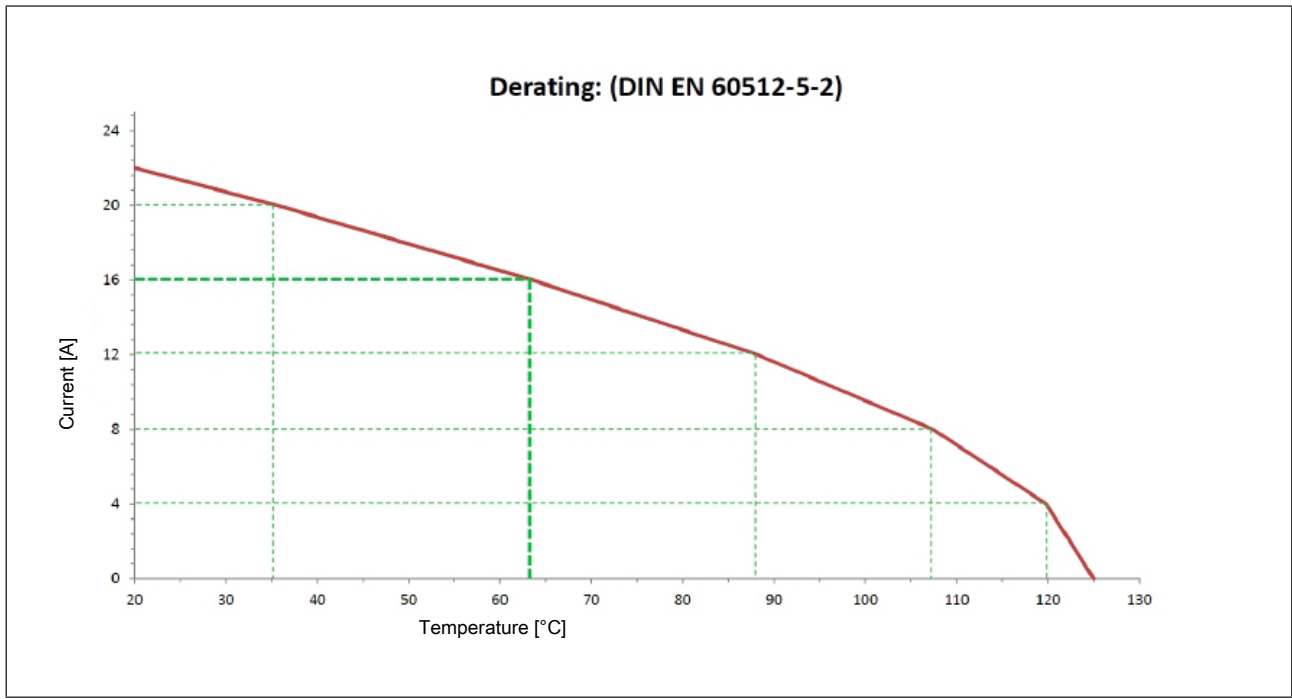
Installation

- ▶ When crimping the cores, note the various Locator settings for the female and male connectors.



M12 5p sh PG 11

Derating diagram

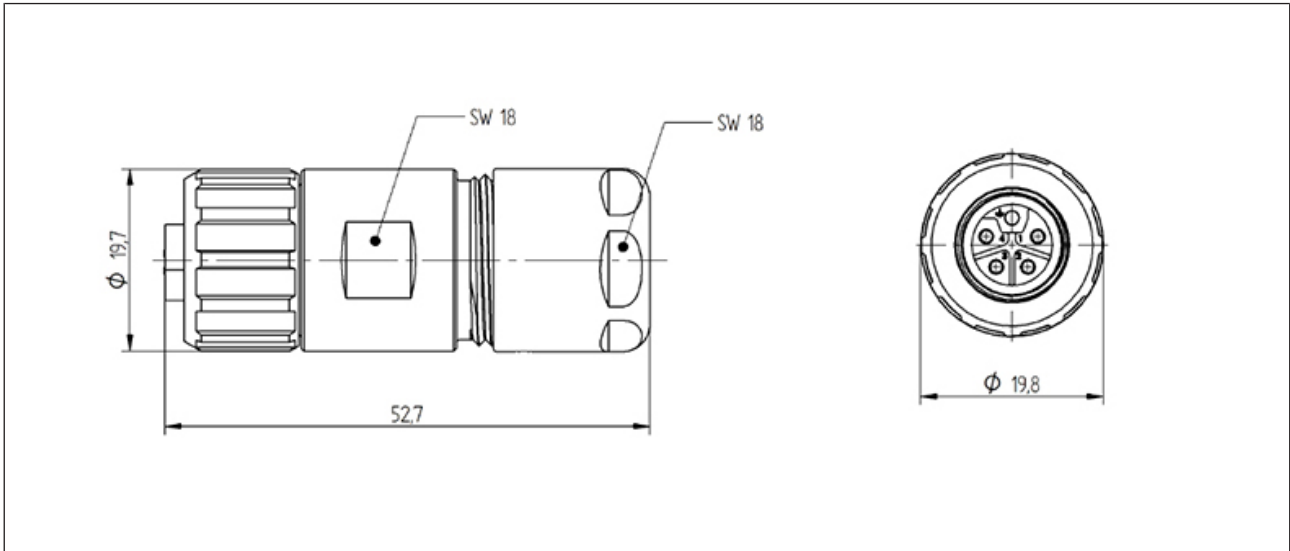


Accessories

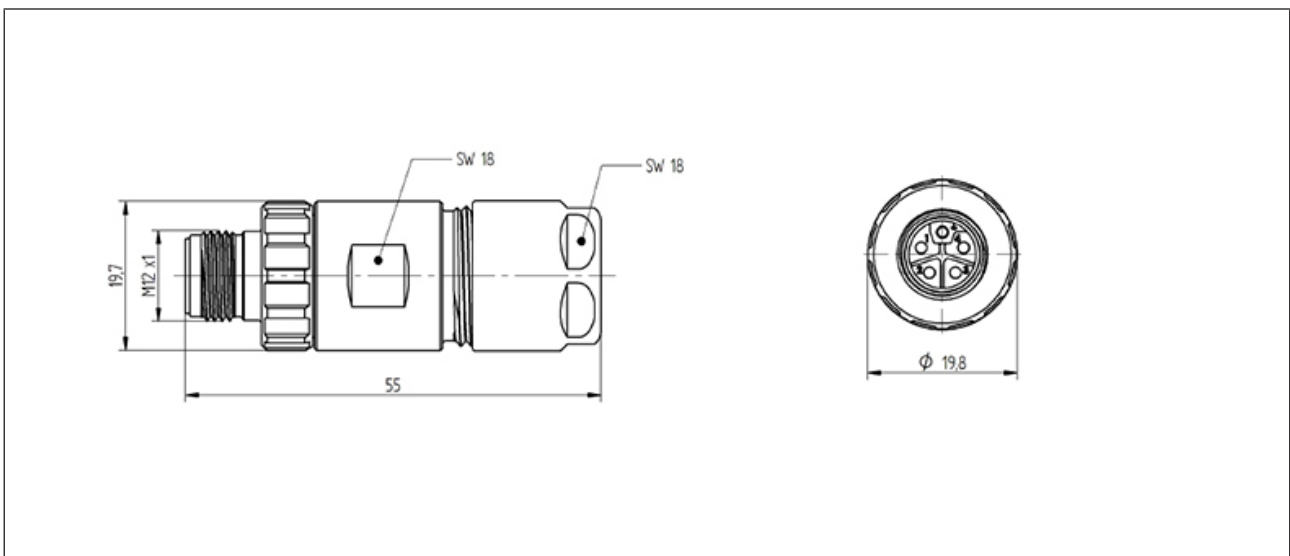
M12 5p sh PG 11

Dimensions

► M12, female 5-pin connector (order no. 380 317)



► M12, male 5-pin connector (order no. 380 318)



Accessories

M12 5p sh PG 11

Technical details

General	380317	380318
Certifications	-	-
Electrical data	380317	380318
Rated voltage		
Voltage UB	630 V	630 V
Kind	AC/DC	AC/DC
Rated current	16 A	16 A
Insulation resistance	1000 MOhm	1000 MOhm
Volume resistance	10 mOhm	10 mOhm
Environmental data	380317	380318
Ambient temperature		
Temperature range	-40 - 125 °C	-40 - 125 °C
Airgap creepage		
In accordance with the standard	EN 60664-1	EN 60664-1
Pollution degree	3	3
Rated impulse withstand voltage	6 kV	6 kV
Protection type		
X1 when inserted	IP67, IP69K	IP67, IP69K
Mechanical data	380317	380318
Plug-in connector X1	M12, 5-pin female connector	M12, 5-pin male connector
In accordance with the standard	IEC 61076-2-111	IEC 61076-2-111
Form, plug-in connector X1	Straight	Straight
Coding of plug-in connector X1	L-coded	L-coded
Housing material X1	CuZn, zinc die casting nickel-plated	CuZn, zinc die casting nickel-plated
Material of contact surface X1	Cu/Au	Cu/Au
Material of gasket	FKM	FKM
Material of pin	-	CuNi
Material of socket	CuNi	-
Connection type connector	Crimp contact	Crimp contact
Mating cycles X1	100	100
Colour of housing	Light grey	Light grey
Max. cable diameter K1	5 - 9 mm	5 - 9 mm
Cable screw connection	PG 11	PG 11
Max. conductor cross section K1	1,5 mm²	1,5 mm²
Certification plug-in connector X1	UL94 V-2	UL94 V-2
Torque of the interlock screw	50 ... 60 Ncm, hand-tightened	50 ... 60 Ncm, hand-tightened
Weight	50 g	50 g

Accessories

M12 5p sh PG 11

Order reference

Product type	Features	Connector X1	Connector X2	Connector X3	Order no.
M12 con., straight, female, 5 pin, L, S	L-coded	M12, 5-pin female connector, straight			380 317
M12 con., straight, male, 5 pin, L, S	L-coded	M12, 5-pin male connector, straight			380 318

Accessories

Product type	Features	Order no.
Crimping Tool	Crimping tool for cross-sections of 0.08 - 2.5 mm ²	380 071