



Visualisation; Diagnostics

Easy to Configure

Programming IEC 61131-3

Rapid Installation

MM A MINI-IO CAB03B R

PILZ
THE SPIRIT OF SAFETY

► Accessories PNOZmulti

This document is a translation of the original document.

All rights to this documentation are reserved by Pilz GmbH & Co. KG. Copies may be made for internal purposes. Suggestions and comments for improving this documentation will be gratefully received.

Source code from third-party manufacturers or open source software has been used for some components. The relevant licence information is available on the Internet on the Pilz homepage.

Pilz®, PIT®, PMI®, PNOZ®, Primo®, PSEN®, PSS®, PVIS®, SafetyBUS p®, SafetyEYE®, SafetyNET p®, the spirit of safety® are registered and protected trademarks of Pilz GmbH & Co. KG in some countries.



SD means Secure Digital

Description

The connection cable MM A MINI-IO CAB03B R is used to connect an encoder to the speed monitors PNOZ m EF 1MM, PNOZ m EF 2MM or PSSu K F EI.

The encoder signals between A and /A, B and /B, Z and /Z are already terminated with $Z_0 = 120 \text{ Ohm}$ (R1, R2, R3).

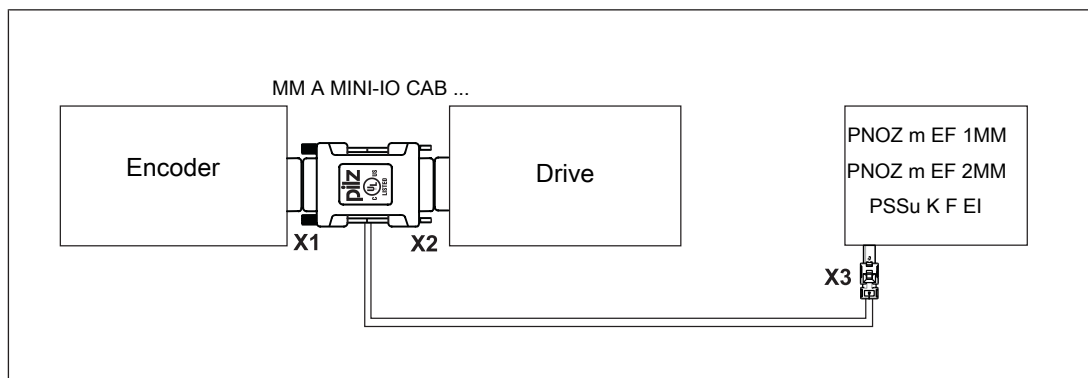
The connection to the speed monitor is made via the Mini-IO connector.



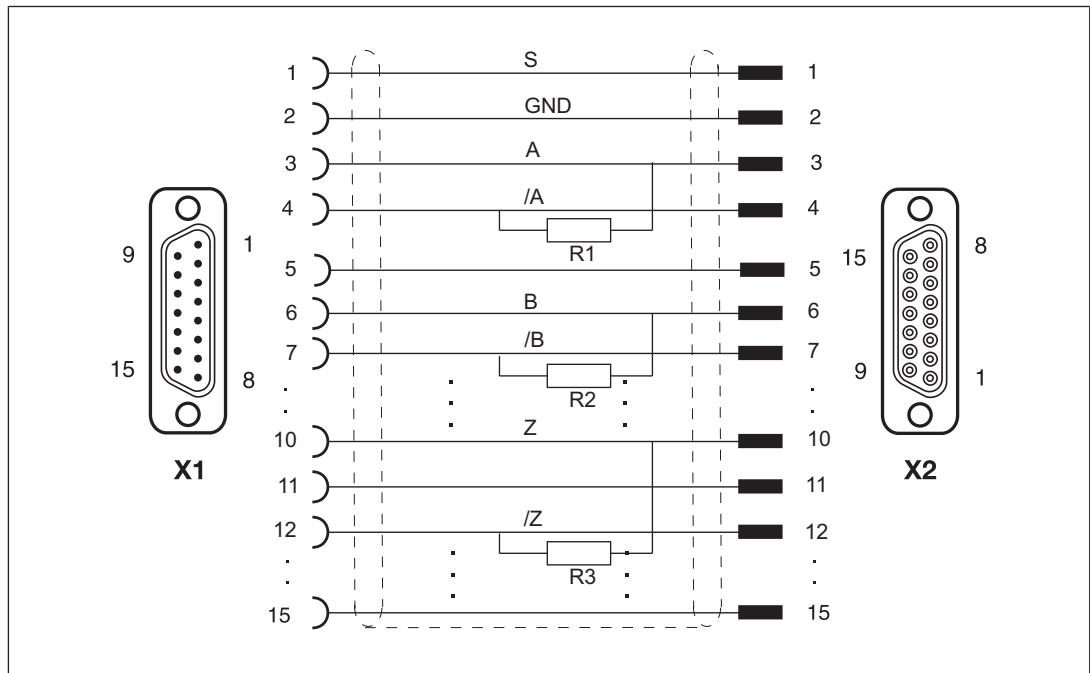
CAUTION!

Communication errors may occur if the adapter cable is too long or there are any external sources of interference. Use an adapter cable that's less than 5 m in length. Lay the adapter cable separately from any potential sources of interference, such as drive cables leading to the motor, for example.

Connection

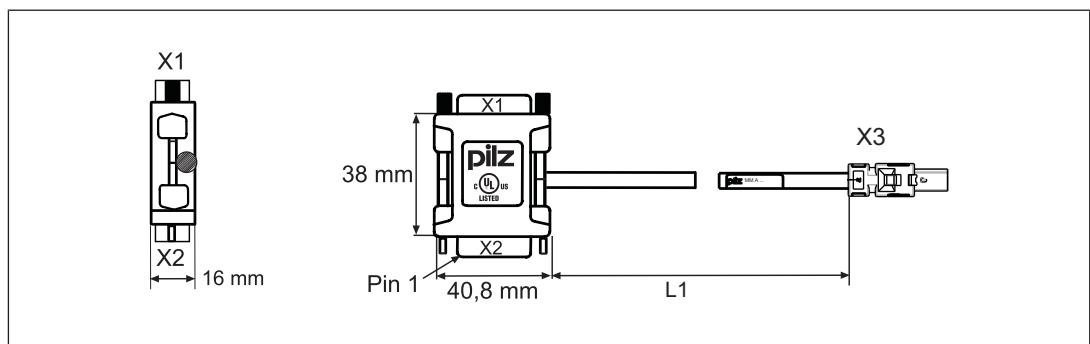


Connector pin assignment



| X3 | Pin | Track |
|----|-----|-------|
| | 1 | S |
| | 2 | GND |
| | 3 | Z |
| | 4 | A |
| | 5 | /A |
| | 6 | /Z |
| | 7 | B |
| | 8 | /B |

Dimensions



Technical details

| General | |
|--|--------------------------------------|
| Approvals | cULus Listed |
| Electrical data | |
| Insulation resistance | 10 MOhm |
| Environmental data | |
| Ambient temperature | |
| Temperature range | 0 - 60 °C |
| Temperature range (moving) | 0 - 60 °C |
| Storage temperature | |
| Temperature range | -25 - 70 °C |
| Condensation during operation | Not permitted |
| Protection type | |
| X1 when inserted | IP20 |
| X2 when inserted | IP20 |
| X3 when inserted | IP20 |
| Housing | IP20 |
| Mounting area (e.g. control cabinet) | IP54 |
| Mechanical data | |
| Plug-in connector X1 | 15-pin D-Sub male connector |
| Form, plug-in connector X1 | Straight |
| Plug-in connector X2 | 15-pin D-Sub female connector |
| Form, plug-in connector X2 | Straight |
| Plug-in connector X3 | 8-pin Mini-IO male connector |
| Design of plug-in connector X3 | Straight |
| Fixing screws | UNC 4-40 |
| Housing material X1 | Nickel steel, tin-plated |
| Housing material X2 | Nickel steel, tin-plated |
| Housing material X3 | PBT |
| Material of contact surface X1 | Au |
| Material of contact surface X2 | Au |
| Material of contact surface X3 | Au |
| Material of pin | Cu alloy |
| Material of socket | Cu alloy |
| Mating cycles X1 | 50 |
| Mating cycles X2 | 50 |
| Mating cycles X3 | 1500 |
| Cable length L1 | 2,5 m |
| Cable length tolerance K1 | +/- 0,15 m |
| Colour of external cable insulation K1 | Green, similar to RAL6018 |
| Colour of housing | Black RAL 9005 |
| Cable insulation material K1 | PUR |
| Drag chain suitable K1 | yes |
| Min. bending radius (fixed permanently) K1 | 8 x Ø |

| Mechanical data | |
|----------------------------------|---|
| Min. bending radius (moving) K1 | 10 x Ø |
| Cable diameter K1 | 5,8 mm |
| Max. cable diameter K1 | 6 mm |
| Conductor cross section K1 | 0,14 mm² |
| Conductor cross section AWG K1 | 26 |
| Wire colour K1 | White, brown, green, yellow, grey, pink, blue, red |
| Shielding K1 | yes |
| Wire layer separation K1 | No |
| No. of wires K1 | 8 |
| Approval cable K1 | UL AWM-Style 20233 |
| Approval of plug-in connector X1 | UL94 V-0 |
| Approval of plug-in connector X2 | UL94 V-0 |
| Approval of plug-in connector X3 | UL94 V-0 |
| Material | |
| Housing | TPE-SEBS UL 94 HB |
| Dimensions | |
| Height | 38 mm |
| Width | 40,8 mm |
| Depth | 16 mm |
| Weight | 128 g |

Order references

| Product type | Features | Connector X1 | Connector X2 | Connector X3 | Order no. |
|----------------------------|----------|-----------------------------|-------------------------------|------------------------------|-----------|
| MM A MINI-IO CAB03B R 2.5m | 2.5 m | 15-pin D-Sub male connector | 15-pin D-Sub female connector | 8-pin Mini-IO male connector | 772 251 |

► Support

Technical support is available from Pilz round the clock.

Americas

Brazil

+55 11 97569-2804

Canada

+1 888-315-PILZ (315-7459)

Mexico

+52 55 5572 1300

USA (toll-free)

+1 877-PILZUSA (745-9872)

Asia

China

+86 21 60880878-216

Japan

+81 45 471-2281

South Korea

+82 31 450 0680

Australia

+61 3 95600621

Europe

Austria

+43 1 7986263-0

Belgium, Luxembourg

+32 9 3217575

France

+33 3 88104000

Germany

+49 711 3409-444

Ireland

+353 21 4804983

Italy, Malta

+39 0362 1826711

Scandinavia

+45 74436332

Spain

+34 938497433

Switzerland

+41 62 88979-30

The Netherlands

+31 347 320477

Turkey

+90 216 5775552

United Kingdom

+44 1536 462203

You can reach our international hotline on:

+49 711 3409-444

support@pilz.com

Pilz develops environmentally-friendly products using ecological materials and energy-saving technologies. Offices and production facilities are ecologically designed, environmentally-aware and energy-saving. So Pilz offers sustainability, plus the security of using energy-efficient products and environmentally-friendly solutions.

Energy
saving by Pilz



Pilz GmbH & Co. KG
Felix-Wankel-Straße 2
73760 Ostfildern, Germany
Tel.: +49 711 3409-0
Fax: +49 711 3409-133
info@pilz.com
www.pilz.com

PILZ
THE SPIRIT OF SAFETY