



Visualisation; Diagnostics

Easy to Configure

Programming IEC 61131-3

Rapid Installation

MM A MINI-IO CAB09B

PILZ
THE SPIRIT OF SAFETY

► Accessories PNOZmulti

This document is a translation of the original document.

All rights to this documentation are reserved by Pilz GmbH & Co. KG. Copies may be made for internal purposes. Suggestions and comments for improving this documentation will be gratefully received.

Source code from third-party manufacturers or open source software has been used for some components. The relevant licence information is available on the Internet on the Pilz homepage.

Pilz®, PIT®, PMI®, PNOZ®, Primo®, PSEN®, PSS®, PVIS®, SafetyBUS p®, SafetyEYE®, SafetyNET p®, the spirit of safety® are registered and protected trademarks of Pilz GmbH & Co. KG in some countries.



SD means Secure Digital

Description

The connection cable MM A MINI-IO CAB09B is used to connect an encoder to the speed monitors PNOZ m EF 1MM, PNOZ m EF 2MM or PSSu K F EI.

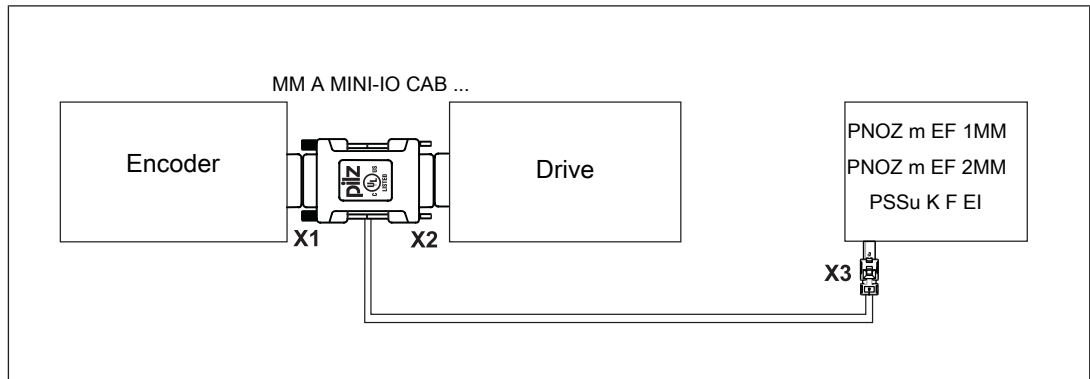
The connection to the speed monitor is made via the Mini-IO connector.



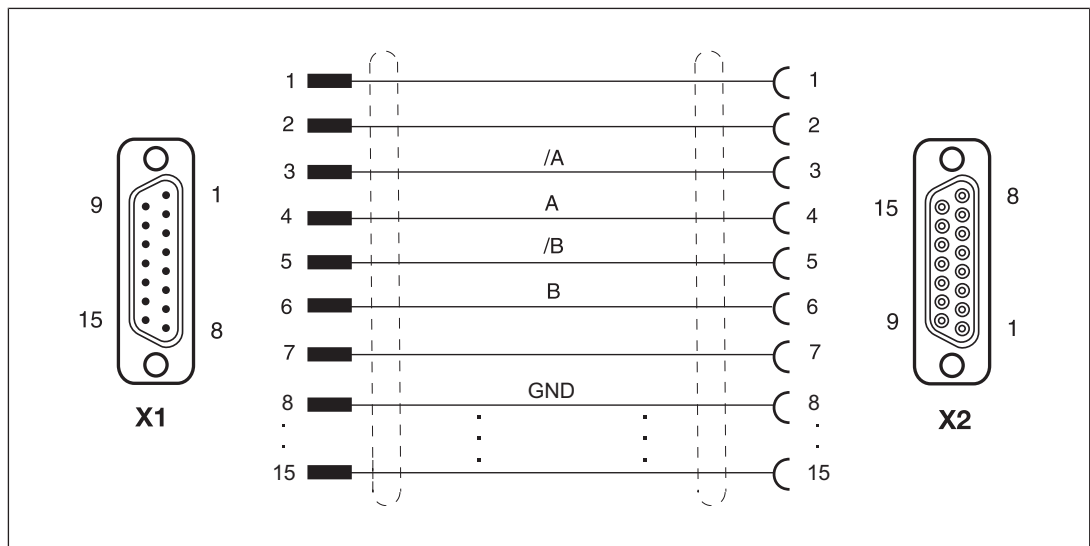
CAUTION!

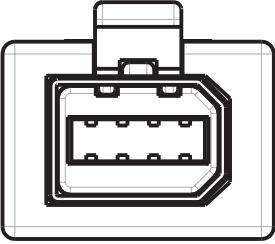
Communication errors may occur if the adapter cable is too long or there are any external sources of interference. Use an adapter cable that's less than 5 m in length. Lay the adapter cable separately from any potential sources of interference, such as drive cables leading to the motor, for example.

Connection



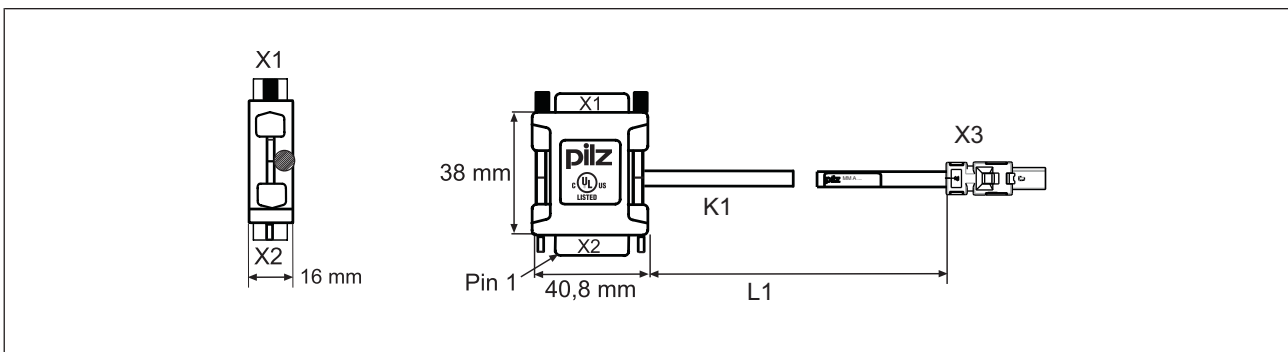
Connector pin assignment



| X3 | Pin | Track |
|---|-----|-------|
|  | 1 | S |
| | 2 | GND |
| | 3 | Z |
| | 4 | A |
| | 5 | /A |
| | 6 | /Z |
| | 7 | B |
| | 8 | /B |

**INFORMATION**

The signals S, Z and /Z are not recorded.

Dimensions**Technical details**

| General | |
|-------------------------------|----------------------|
| Approvals | cULus Listed |
| Electrical data | |
| Insulation resistance | 10 MOhm |
| Environmental data | |
| Ambient temperature | |
| Temperature range | 0 - 60 °C |
| Temperature range (moving) | 0 - 60 °C |
| Storage temperature | |
| Temperature range | -25 - 70 °C |
| Condensation during operation | Not permitted |

| Environmental data | |
|--|---|
| Protection type | |
| X1 when inserted | IP20 |
| X2 when inserted | IP20 |
| X3 when inserted | IP20 |
| Housing | IP20 |
| Mounting area (e.g. control cabinet) | IP54 |
| Mechanical data | |
| Plug-in connector X1 | 15-pin D-Sub male connector |
| Form, plug-in connector X1 | Straight |
| Plug-in connector X2 | 15-pin D-Sub female connector |
| Form, plug-in connector X2 | Straight |
| Plug-in connector X3 | 8-pin Mini-IO male connector |
| Design of plug-in connector X3 | Straight |
| Fixing screws | UNC 4-40 |
| Housing material X1 | Nickel steel, tin-plated |
| Housing material X2 | Nickel steel, tin-plated |
| Housing material X3 | PBT |
| Material of contact surface X1 | Au |
| Material of contact surface X2 | Au |
| Material of contact surface X3 | Au |
| Material of pin | Cu alloy |
| Material of socket | Cu alloy |
| Mating cycles X1 | 50 |
| Mating cycles X2 | 50 |
| Mating cycles X3 | 1500 |
| Cable length L1 | 2,5 m |
| Cable length tolerance K1 | +/- 0,15 m |
| Colour of external cable insulation K1 | Green, similar to RAL6018 |
| Colour of housing | Black RAL 9005 |
| Cable insulation material K1 | PUR |
| Drag chain suitable K1 | yes |
| Min. bending radius (fixed permanently) K1 | 8 x Ø |
| Min. bending radius (moving) K1 | 10 x Ø |
| Cable diameter K1 | 5,8 mm |
| Max. cable diameter K1 | 6 mm |
| Conductor cross section K1 | 0,14 mm² |
| Conductor cross section AWG K1 | 26 |
| Wire colour K1 | 1: white, 2: brown, 3: green, 4: yellow, 5: grey, 6: pink, 7: blue, 8: red |
| Shielding K1 | yes |
| Wire layer separation K1 | No |
| No. of wires K1 | 8 |
| Approval cable K1 | UL AWM-Style 20233 |
| Approval of plug-in connector X1 | UL94 V-0 |

| Mechanical data | |
|----------------------------------|--------------------------|
| Approval of plug-in connector X2 | UL94 V-0 |
| Approval of plug-in connector X3 | UL94 V-0 |
| Material | |
| Housing | TPE-SEBS UL 94 HB |
| Dimensions | |
| Height | 38 mm |
| Width | 40,8 mm |
| Depth | 16 mm |
| Weight | 128 g |

Order references

| Product type | Features | Connector X1 | Connector X2 | Connector X3 | Order no. |
|--------------------------|-----------------|-----------------------------|-------------------------------|------------------------------|------------------|
| MM A MINI-IO CAB09B 2.5M | 2.5 m | 15-pin D-Sub male connector | 15-pin D-Sub female connector | 8-pin Mini-IO male connector | 772 260 |

► Support

Technical support is available from Pilz round the clock.

Americas

Brazil

+55 11 97569-2804

Canada

+1 888-315-PILZ (315-7459)

Mexico

+52 55 5572 1300

USA (toll-free)

+1 877-PILZUSA (745-9872)

Asia

China

+86 21 60880878-216

Japan

+81 45 471-2281

South Korea

+82 31 450 0680

Australia

+61 3 95600621

Europe

Austria

+43 1 7986263-0

Belgium, Luxembourg

+32 9 3217575

France

+33 3 88104000

Germany

+49 711 3409-444

Ireland

+353 21 4804983

Italy, Malta

+39 0362 1826711

Scandinavia

+45 74436332

Spain

+34 938497433

Switzerland

+41 62 88979-30

The Netherlands

+31 347 320477

Turkey

+90 216 5775552

United Kingdom

+44 1536 462203

You can reach our international hotline on:

+49 711 3409-444

support@pilz.com

Pilz develops environmentally-friendly products using ecological materials and energy-saving technologies. Offices and production facilities are ecologically designed, environmentally-aware and energy-saving. So Pilz offers sustainability, plus the security of using energy-efficient products and environmentally-friendly solutions.

Energy
saving by Pilz



CMSE®, InduraNET p®, PAS4000®, PASscal®, PASconfig®, Pilz®, PIT®, PLID®, PMCprime®, PMCprotego®, PMCtendo®, PMD®, PMI®, PNOZ®, Pirmo®, PSEN®, PSENi®, PSS®, PVIS®, SafetyBUS SafetyEYE®, SafetyNET p®, THE SPIRIT OF SAFETY® are registered and protected trademarks of Pilz GmbH & Co. KG in some countries. We would point out that product features mentioned in the details stated in this document, depending on the status at the time of publication and the scope of the equipment. We accept no responsibility for the validity, accuracy and entirety of the text and graphics presented in this information. Please contact our Technical Support if you have any questions.

Pilz GmbH & Co. KG
Felix-Wankel-Straße 2
73760 Ostfildern, Germany
Tel.: +49 711 3409-0
Fax: +49 711 3409-133
info@pilz.com
www.pilz.com

PILZ
THE SPIRIT OF SAFETY