



Visualisation; Diagnostics

Easy to Configure

Programming IEC 61131-3

Rapid Installation

## MM A MINI-IO CAB12

**PILZ**  
THE SPIRIT OF SAFETY

► Accessories PNOZmulti

This document is the original document.

All rights to this documentation are reserved by Pilz GmbH & Co. KG. Copies may be made for the user's internal purposes. Suggestions and comments for improving this documentation will be gratefully received.

Source code from third-party manufacturers or open source software has been used for some components. The relevant licence information is available on the Internet on the Pilz homepage.

Pilz®, PIT®, PMI®, PNOZ®, Primo®, PSEN®, PSS®, PVIS®, SafetyBUS p®, SafetyEYE®, SafetyNET p®, the spirit of safety® are registered and protected trademarks of Pilz GmbH & Co. KG in some countries.



SD means Secure Digital

### Description

The connection cable MM A MINI-IO CAB12 is used to connect an encoder to the speed monitors PNOZ m EF 1MM, PNOZ m EF 2MM or PSSu K F EI.

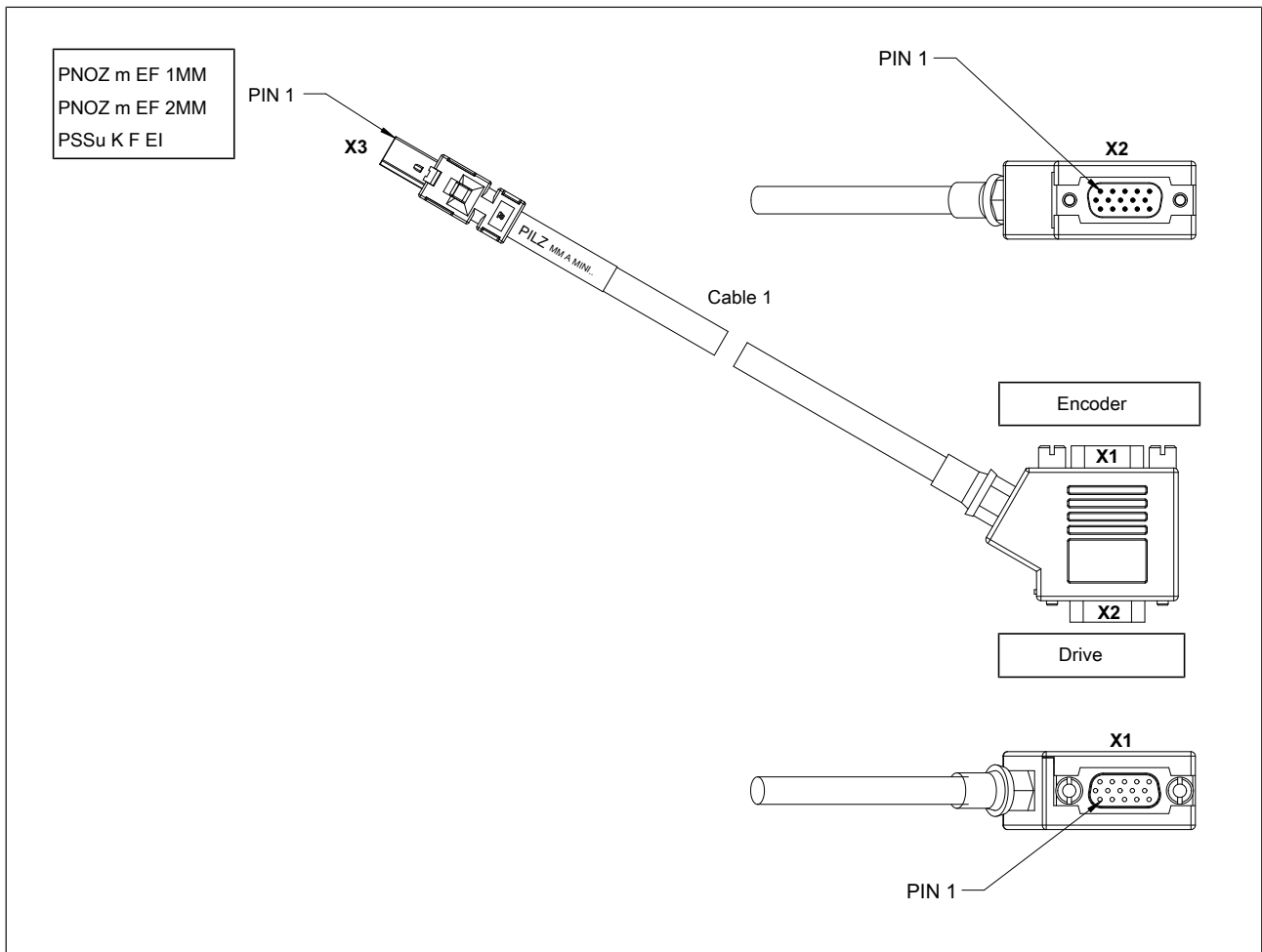
The contacts on connectors X1 and X2 are connected and have the same assignment. The connection to the speed monitor is made via the Mini-IO connector.



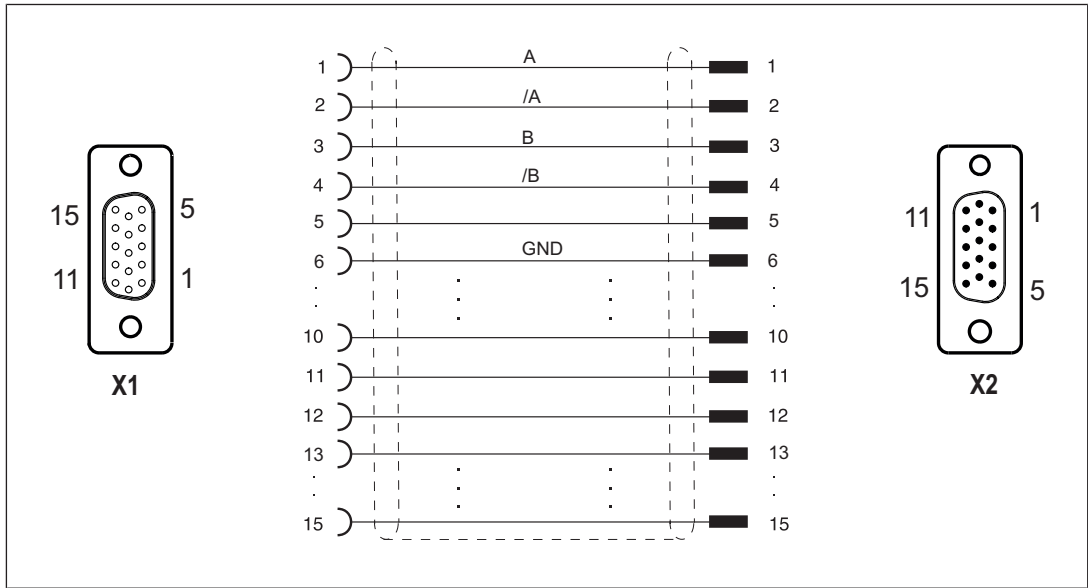
#### CAUTION!

Communication errors may occur if the adapter cable is too long or there are any external sources of interference. Use an adapter cable that's less than 5 m in length. Lay the adapter cable separately from any potential sources of interference, such as drive cables leading to the motor, for example.

### Connection



### Connector pin assignment



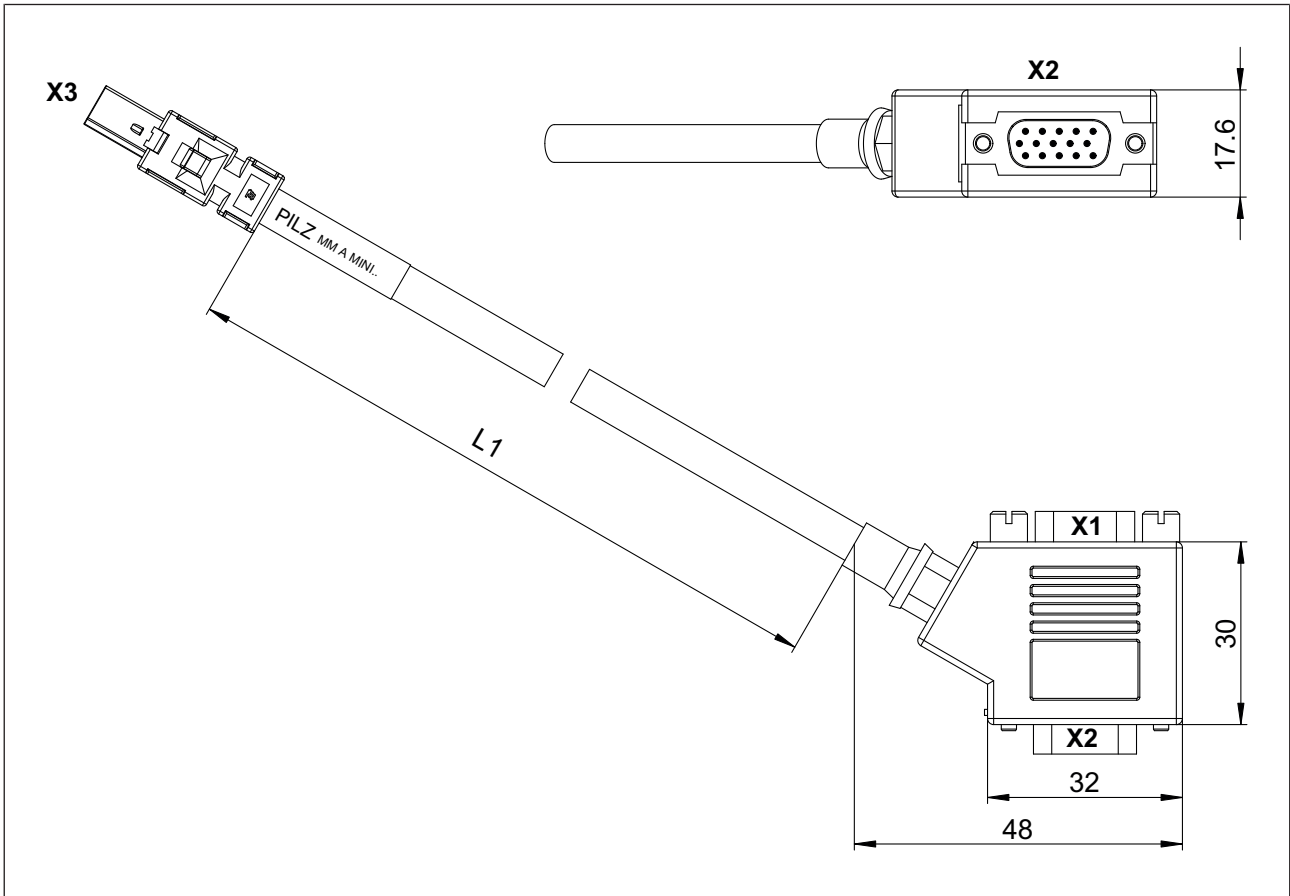
X3	Pin	Track
	1	S
	2	GND
	3	Z
	4	A
	5	/A
	6	/Z
	7	B
	8	/B



**INFORMATION**

The signals S, Z and /Z are not recorded.

### Dimensions



### Technical details

General	
Certifications	-
Electrical data	
Insulation resistance	20 MOhm
Environmental data	
Ambient temperature	
Temperature range	0 - 60 °C
Temperature range (moving)	0 - 60 °C
Storage temperature	
Temperature range	-25 - 70 °C
Condensation during operation	Not permitted
Protection type	
X1 when inserted	IP20
X2 when inserted	IP20
X3 when inserted	IP20
Housing	IP20
Mounting area (e.g. control cabinet)	IP54

<b>Mechanical data</b>	
Plug-in connector X1	<b>15-pin HD D-Sub female connector</b>
Form, plug-in connector X1	<b>Straight</b>
Plug-in connector X2	<b>15-pin HD D-Sub male connector</b>
Form, plug-in connector X2	<b>Straight</b>
Plug-in connector X3	<b>8-pin Mini-IO male connector</b>
Design of plug-in connector X3	<b>Straight</b>
Fixing screws	<b>UNC 4-40</b>
Housing material X1	<b>PBT</b>
Housing material X2	<b>PBT</b>
Housing material X3	<b>PBT</b>
Material of contact surface X1	<b>Au</b>
Material of contact surface X2	<b>Au</b>
Material of contact surface X3	<b>Au</b>
Material of pin	<b>Brass</b>
Material of socket	<b>Brass</b>
Mating cycles X1	<b>50</b>
Mating cycles X2	<b>50</b>
Mating cycles X3	<b>1500</b>
Cable length L1	<b>2,5 m</b>
Cable length tolerance K1	<b>+/- 0,15 m</b>
Colour of external cable insulation K1	<b>Green, similar to RAL6018</b>
Cable insulation material K1	<b>PUR</b>
Drag chain suitable K1	<b>yes</b>
Min. bending radius (fixed permanently) K1	<b>8 x Ø</b>
Min. bending radius (moving) K1	<b>10 x Ø</b>
Cable diameter K1	<b>5,8 mm</b>
Max. cable diameter K1	<b>6 mm</b>
Conductor cross section K1	<b>0,14 mm<sup>2</sup></b>
Conductor cross section AWG K1	<b>26</b>
Wire colour K1	<b>1: white, 2: brown, 3: green, 4: yellow, 5: grey, 6: pink, 7: blue, 8: red</b>
Shielding K1	<b>yes</b>
Wire layer separation K1	<b>No</b>
No. of wires K1	<b>8</b>
Certification cable K1	<b>UL AWM-Style 20233</b>
Certification plug-in connector X1	<b>UL94 V-0</b>
Certification plug-in connector X2	<b>UL94 V-0</b>
Certification plug-in connector X3	<b>UL94 V-0</b>
Material	
Housing	<b>Zn</b>
Dimensions	
Height	<b>30 mm</b>
Width	<b>32 mm</b>
Depth	<b>17,6 mm</b>
Weight	<b>161 g</b>

### Order references

Product type	Features	Connector X1	Connector X2	Connector X3	Order no.
MM A MINI-IO CAB12 2.5m	2.5 m	15-pin HD D-Sub female connector	15-pin HD D-Sub male connector	8-pin Mini-IO male connector	772 241

# ► Support

Technical support is available from Pilz round the clock.

## Americas

### Brazil

+55 11 97569-2804

### Canada

+1 888-315-PILZ (315-7459)

### Mexico

+52 55 5572 1300

### USA (toll-free)

+1 877-PILZUSA (745-9872)

## Asia

### China

+86 21 60880878-216

### Japan

+81 45 471-2281

### South Korea

+82 31 450 0680

## Australia

+61 3 95600621

## Europe

### Austria

+43 1 7986263-0

### Belgium, Luxembourg

+32 9 3217575

### France

+33 3 88104000

### Germany

+49 711 3409-444

### Ireland

+353 21 4804983

### Italy, Malta

+39 0362 1826711

## Scandinavia

+45 74436332

## Spain

+34 938497433

## Switzerland

+41 62 88979-30

## The Netherlands

+31 347 320477

## Turkey

+90 216 5775552

## United Kingdom

+44 1536 462203

## You can reach our international hotline on:

+49 711 3409-444

support@pilz.com

Pilz develops environmentally-friendly products using ecological materials and energy-saving technologies. Offices and production facilities are ecologically designed, environmentally-aware and energy-saving. So Pilz offers sustainability, plus the security of using energy-efficient products and environmentally-friendly solutions.

*Energy*  
saving by Pilz



Pilz GmbH & Co. KG  
Felix-Wankel-Straße 2  
73760 Ostfildern, Germany  
Tel.: +49 711 3409-0  
Fax: +49 711 3409-133  
info@pilz.com  
www.pilz.com

**PILZ**  
THE SPIRIT OF SAFETY

CMSE®, IndurANET p®, PAS4000®, PASscal®, PASconfig®, Pilz®, PIT®, PLID®, PMCPirotego®, PMCiendo®, PMD®, PMi®, PNOZ®, Pirmo®, PSEN®, PSENi®, PSS®, PViS®, SafetyBUS SafetyEYE®, SafetyNET p®, THE SPIRIT OF SAFETY® are registered and protected trademarks of Pilz GmbH & Co. KG in some countries. We would point out that product features mentioned in the details stated in this document, depending on the status at the time of publication and the scope of the equipment. We accept no responsibility for the validity, accuracy and entirety of the text and graphics presented in this information. Please contact our Technical Support if you have any questions.