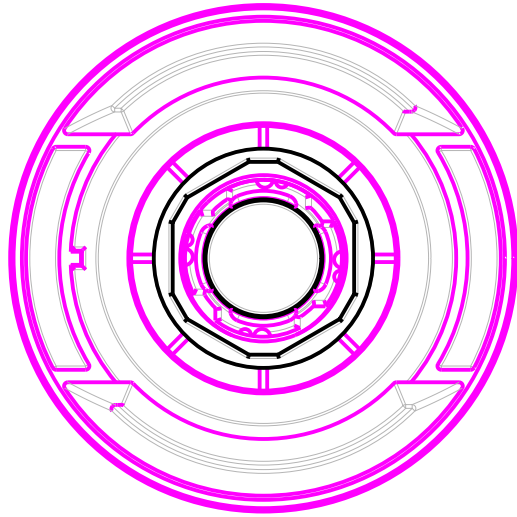
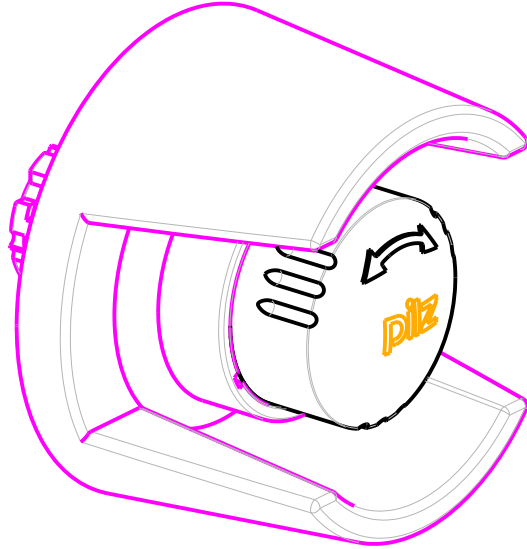


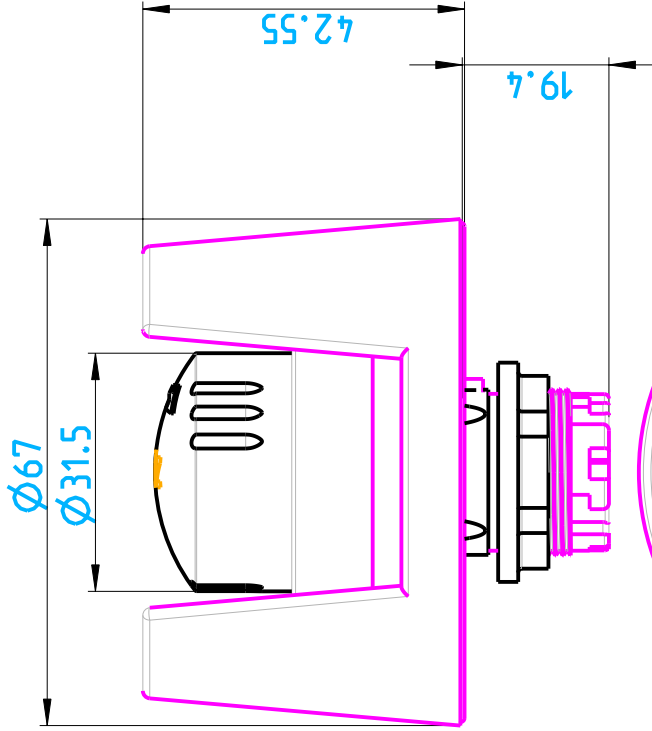
1 2 3 4



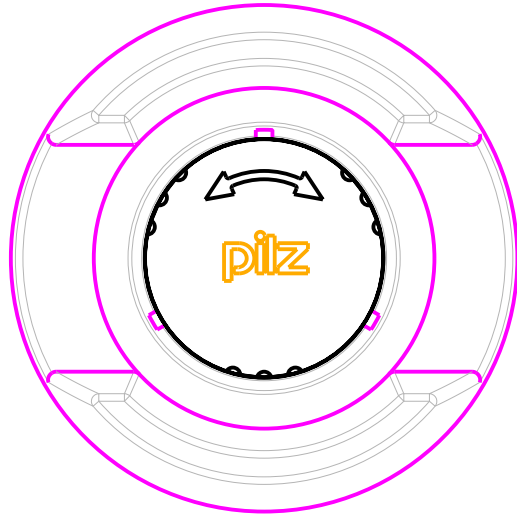
A



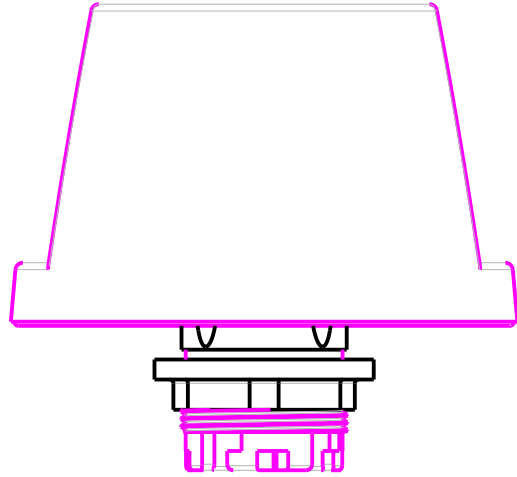
B



C



D



-		20120486	19.11.2012	EP-MK	EP MK	Neuanlage new Drawing		MODEL: 2011615		DRW: 2011616	
Index	ECO no.	Date	Editor	Checked	Date	Name	Internet Dokument Internet document PIT es4/5 s/u				
Scale	1:1		Created	19.11.2012	EP MK	EP MK	Doc.-No. 2011616				
Material	-		Checked	19.11.2012	EP MK	EP MK	Page 1				
Surface	-		Norm	-	-	-	Mat.-No. - of 1				
Observe protection note to DIN 34							All dimensions are in mm Unspecified tolerance				

