

1

2

3

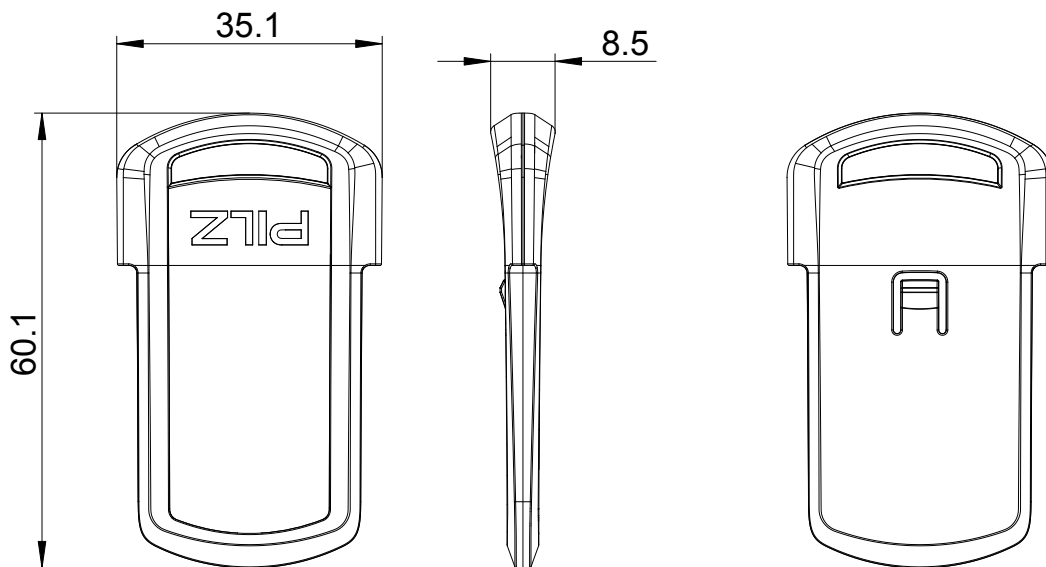
4

A

B

C

D



-	20160205	25.01.2017	PD-Sup-MDPD-SUP-MD	neue Zeichnung new drawing		
Index	ECO no.	Date	Editor	Checked		
Scale	1:1		Created	Date	Name	MODEL: 2023988 DRW: 2023993
Material				Checked		Internet Dokument Internet document PIT m3 key2
				Norm		
				All dimensions are in mm		
Surface				Unspecified tolerance		Doc.-No. 2023993
						Page 1
						Mat.-No. of 1

Refer to protection notice ISO 16016

PILZ