



PNOZ X7

- ▶ Safety relays

PILZ
THE SPIRIT OF SAFETY

This document is the original document.

All rights to this documentation are reserved by Pilz GmbH & Co. KG. Copies may be made for the user's internal purposes. Suggestions and comments for improving this documentation will be gratefully received.

Source code from third-party manufacturers or open source software has been used for some components. The relevant licence information is available on the Internet on the Pilz homepage.

Pilz®, PIT®, PMI®, PNOZ®, Primo®, PSEN®, PSS®, PVIS®, SafetyBUS p®, SafetyEYE®, SafetyNET p®, the spirit of safety® are registered and protected trademarks of Pilz GmbH & Co. KG in some countries.



SD means Secure Digital

| | |
|---|-----------|
| Introduction | 4 |
| Validity of documentation | 4 |
| Using the documentation | 4 |
| Definition of symbols | 4 |
| Safety | 5 |
| Intended use | 5 |
| Safety regulations | 5 |
| Safety assessment | 5 |
| Use of qualified personnel | 6 |
| Warranty and liability | 6 |
| Disposal | 6 |
| For your safety | 6 |
| Unit features | 7 |
| Safety features | 7 |
| Block diagram/terminal configuration | 7 |
| Types: AC | 7 |
| Type: AC/DC | 8 |
| Function Description | 9 |
| Operating modes | 9 |
| Timing diagram | 9 |
| Installation | 10 |
| Wiring | 10 |
| Preparing for operation | 11 |
| Operation | 12 |
| Status indicators | 13 |
| Faults – Interference | 13 |
| Dimensions in mm | 13 |
| Technical details | 14 |
| Safety characteristic data | 26 |
| Supplementary data | 26 |
| Service life graph | 27 |
| Order reference | 27 |
| EC declaration of conformity | 28 |

Introduction

Validity of documentation

This documentation is valid for the product PNOZ X7. It is valid until new documentation is published.

This operating manual explains the function and operation, describes the installation and provides guidelines on how to connect the product.

Using the documentation

This document is intended for instruction. Only install and commission the product if you have read and understood this document. The document should be retained for future reference.

Definition of symbols

Information that is particularly important is identified as follows:



DANGER!

This warning must be heeded! It warns of a hazardous situation that poses an immediate threat of serious injury and death and indicates preventive measures that can be taken.



WARNING!

This warning must be heeded! It warns of a hazardous situation that could lead to serious injury and death and indicates preventive measures that can be taken.



CAUTION!

This refers to a hazard that can lead to a less serious or minor injury plus material damage, and also provides information on preventive measures that can be taken.



NOTICE

This describes a situation in which the product or devices could be damaged and also provides information on preventive measures that can be taken. It also highlights areas within the text that are of particular importance.

**INFORMATION**

This gives advice on applications and provides information on special features.

Safety


Intended use

The safety relay PNOZ X7 provides a safety-related interruption of a safety circuit.

The safety relay meets the requirements of EN 60947-5-1, EN 60204-1 and VDE 0113-1 and may be used in applications with

- ▶ E-STOP pushbuttons
- ▶ Safety gates

The following is deemed improper use in particular

- ▶ Any component, technical or electrical modification to the product,
- ▶ Use of the product outside the areas described in this manual,
- ▶ Use of the product outside the technical details (see [Technical details](#) [ 14]).

**NOTICE****EMC-compliant electrical installation**

The product is designed for use in an industrial environment. The product may cause interference if installed in other environments. If installed in other environments, measures should be taken to comply with the applicable standards and directives for the respective installation site with regard to interference.

Safety regulations

Safety assessment

Before using a device it is necessary to perform a safety assessment in accordance with the Machinery Directive.

Functional safety is guaranteed for the product as a single component. However, this does not guarantee the functional safety of the overall plant/machine. In order to achieve the required safety level for the overall plant/machine, define the safety requirements for the plant/machine and then define how these must be implemented from a technical and organisational standpoint.

Use of qualified personnel

The products may only be assembled, installed, programmed, commissioned, operated, maintained and decommissioned by competent persons.

A competent person is a qualified and knowledgeable person who, because of their training, experience and current professional activity, has the specialist knowledge required. To be able to inspect, assess and operate devices, systems and machines, the person has to be informed of the state of the art and the applicable national, European and international laws, directives and standards.

It is the company's responsibility only to employ personnel who

- ▶ Are familiar with the basic regulations concerning health and safety / accident prevention,
- ▶ Have read and understood the information provided in the section entitled Safety
- ▶ Have a good knowledge of the generic and specialist standards applicable to the specific application.

Warranty and liability

All claims to warranty and liability will be rendered invalid if

- ▶ The product was used contrary to the purpose for which it is intended,
- ▶ Damage can be attributed to not having followed the guidelines in the manual,
- ▶ Operating personnel are not suitably qualified,
- ▶ Any type of modification has been made (e.g. exchanging components on the PCB boards, soldering work etc.).

Disposal

- ▶ In safety-related applications, please comply with the mission time T_M in the safety-related characteristic data.
- ▶ When decommissioning, please comply with local regulations regarding the disposal of electronic devices (e.g. Electrical and Electronic Equipment Act).

For your safety

The unit meets all the necessary conditions for safe operation. However, please note the following:

- ▶ Note for overvoltage category III: If voltages higher than low voltage (>50 VAC or >120 VDC) are present on the unit, connected control elements and sensors must have a rated insulation voltage of at least 250 V.

Unit features

- ▶ Positive-guided relay outputs:
 - 2 safety contacts (N/O), instantaneous
- ▶ Connection options for:
 - E-STOP pushbutton
 - Safety gate limit switch
 - Start button
- ▶ LED display for:
 - Supply voltage
 - Switch status of the safety contacts
- ▶ See order reference for unit types

Safety features

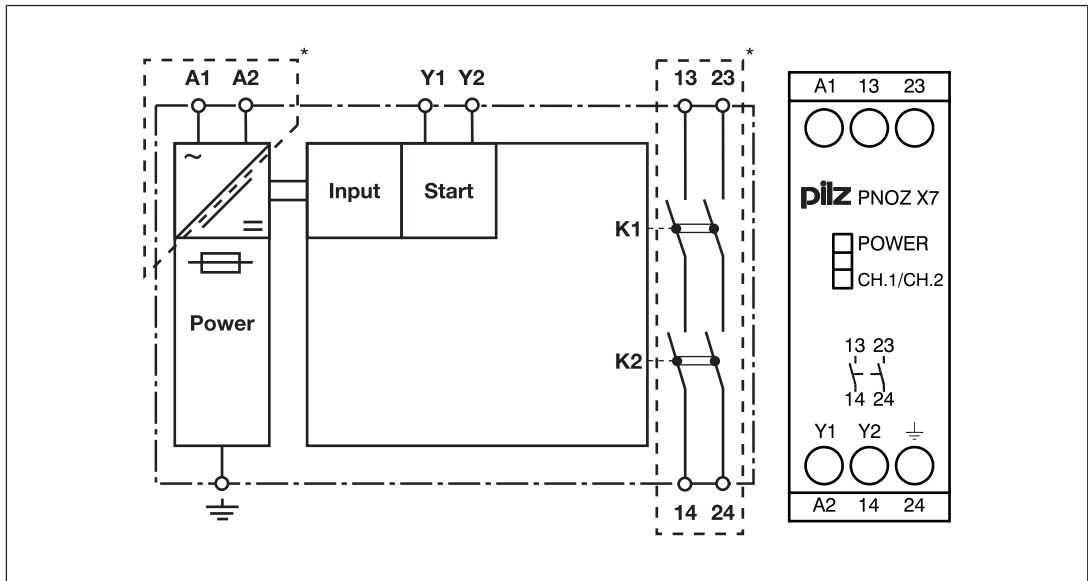
The safety relay meets the following safety requirements:

- ▶ The circuit is internally redundant with built-in self-monitoring.
- ▶ The safety device remains effective in the case of a component failure.
- ▶ The correct opening and closing of the safety device relays is tested automatically in each on-off cycle.

Block diagram/terminal configuration

Types: AC

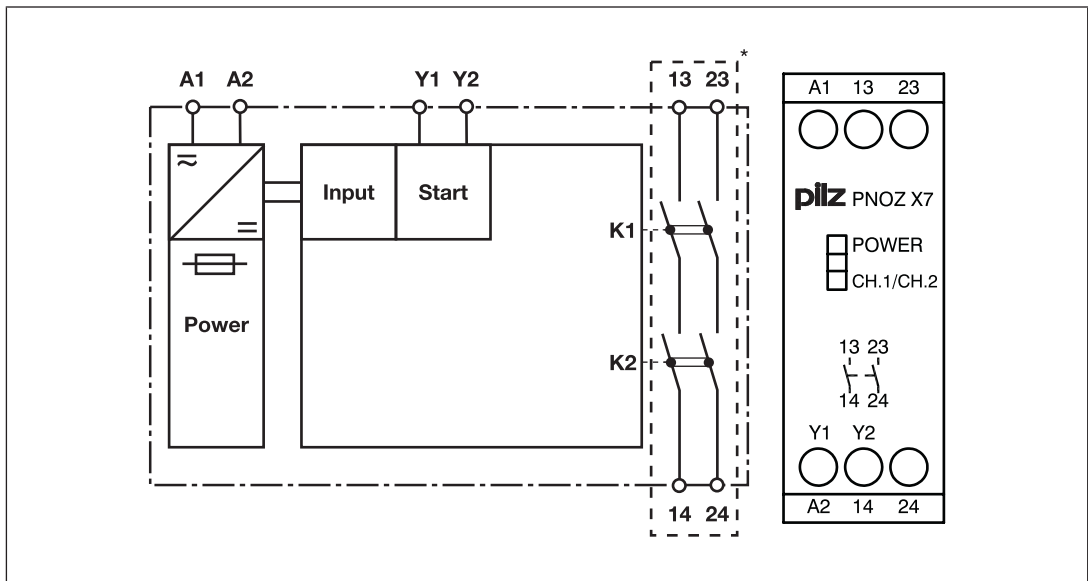
- ▶ U_B : 42 VAC; Order no. 774058
- ▶ U_B : 48 VAC; Order no. 774049
- ▶ U_B : 110 VAC; Order no. 774053
- ▶ U_B : 115 VAC; Order no. 774054
- ▶ U_B : 120 VAC; Order no. 774055
- ▶ U_B : 230 VAC; Order no. 774056
- ▶ U_B : 240 VAC; Order no. 774057



*Insulation between the non-marked area and the relay contacts: Basic insulation (over-voltage category III), Protective separation (overvoltage category II)

Type: AC/DC

▶ U_B : 24 VAC/DC; Order no. 774059



*Insulation between the non-marked area and the relay contacts: Basic insulation (over-voltage category III), Protective separation (overvoltage category II)

Function Description

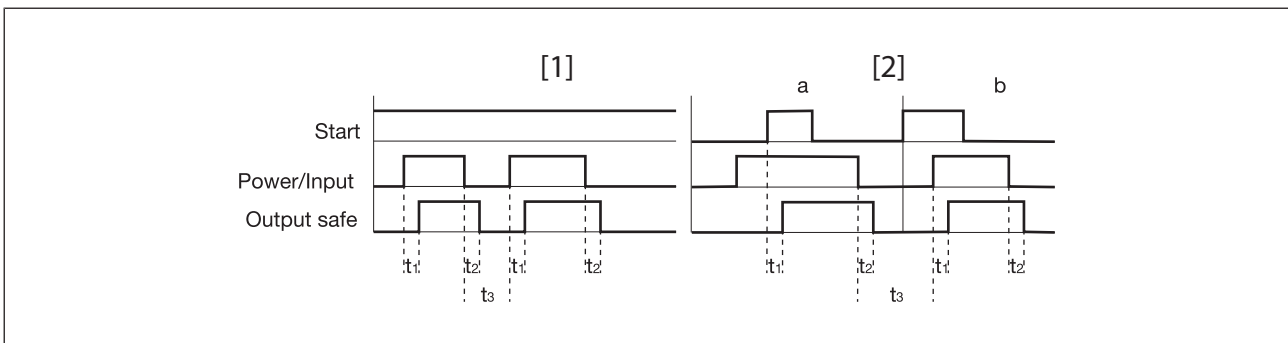
The safety relay PNOZ X7 provides a safety-oriented interruption of a safety circuit. When the supply voltage is applied via the E-STOP pushbutton, the "POWER" LED is lit. The unit is ready for operation when the start circuit and feedback loop Y1-Y2 is closed.

- ▶ Input circuit is closed (e.g. E-STOP pushbutton not operated):
 - The LED "CH.1/CH.2" will light.
 - Safety contacts 13-14 and 23-24 are closed. The unit is active.
- ▶ Input circuit is opened (e.g. E-STOP pushbutton operated):
 - The LEDs "CH.1" and "CH.2" goes out.
 - Safety contacts 13-14 and 23-24 are redundantly opened.

Operating modes

- ▶ Single-channel operation: No redundancy in the input circuit, earth faults in the start and input circuit are detected.
- ▶ Automatic start: Unit is active once the input circuit has been closed.
- ▶ Manual start: Unit is active once the input circuit and the start circuit are closed.
- ▶ Increase in the number of available contacts by connecting contact expander modules or external contactors/relays.

Timing diagram



Legend

- ▶ Power: Supply voltage
- ▶ Start: Start circuit
- ▶ Input: Input circuit
- ▶ Output safe: Safety contacts
- ▶ [1]: Automatic start
- ▶ [2]: Manual start
- ▶ a: Input circuit closes before start circuit
- ▶ b: Start circuit closes before input circuit
- ▶ t_1 : Switch-on delay
- ▶ t_2 : Delay-on de-energisation
- ▶ t_3 : Recovery time

Installation

- ▶ The unit should be installed in a control cabinet with a protection type of at least IP54.
- ▶ Use the notch on the rear of the unit to attach it to a DIN rail (35 mm).
- ▶ When installed vertically: Secure the unit by using a fixing element (e.g. retaining bracket or end angle).

Wiring

Please note:

- ▶ Information given in the "Technical details [14]" must be followed.
- ▶ Calculating the max. cable length l_{\max} in the input circuit on PNOZ X7 24 VAC/DC:

$$l_{\max} = \frac{R_{l\max}}{R_l / \text{km}}$$

$R_{l\max}$ = max. overall cable resistance (see Technical details [14])

R_l / km = cable resistance/km

- ▶ Calculating the max. cable length l_{\max} in the input circuit on PNOZ X7 AC units:

$$l_{\max} = \frac{C_{l\max}}{C_l / \text{km}}$$

$C_{l\max}$ = max. overall line capacitance (see Technical details [14])

C_l / km = line capacitance/km

Stub circuit: The max. permitted cable length l_{\max} depends on the max. overall line capacitance $C_{l\max}$ (see Technical details [14]).

Alternative: Loop circuit: Capacitance is negligible; 1 phase: Max. cable length l_{\max} : 1 km

| | Stub circuit | Loop circuit |
|--------------|--------------|--------------|
| Cable length | | |



WARNING!

If the max. overall line capacitance is exceeded, the unit will no longer switch off safely and serious injuries and death may result.

Always comply with the max. overall line capacitance.

- ▶ The outputs 13-14, 23-24 are safety contacts.
- ▶ Do not connect undesignated terminals.
- ▶ To prevent contact welding, a fuse should be connected before the output contacts (see [Technical details \[14\]](#)).
- ▶ Use copper wire that can withstand 60/75 °C.
- ▶ Sufficient fuse protection must be provided on all output contacts with capacitive and inductive loads.
- ▶ Do not switch low currents using contacts that have been used previously with high currents.
- ▶ On AC units: Connect operational earth terminal to functional earth.
- ▶ On 24 VAC/DC units:
The power supply must comply with the regulations for extra low voltages with safe electrical separation (SELV, PELV) in accordance with VDE 0100, Part 410.
- ▶ Ensure the wiring and EMC requirements of EN 60204-1 are met.

Preparing for operation

| Supply voltage | AC | 24 VAC/DC |
|----------------|-----------------|--------------|
| | | |
| Input circuit | Single-channel | Dual-channel |
| E-STOP | | |
| Safety gate | | |
| Start circuit | Automatic start | Manual start |
| | | |



NOTICE

In the event of an automatic start or manual start with bridged start contact (fault):

The unit starts up automatically when the safeguard is reset, e.g. when the E-STOP pushbutton is released. Use external circuit measures to prevent an unexpected restart.

| Feedback loop | Automatic start | Manual start |
|-----------------------------------|-----------------|--------------|
| Contacts from external contactors | | |

Legend

- ▶ S1: E-STOP/safety gate switch
- ▶ S3: Start button
- ▶ Gate open
- ▶ Gate closed

Operation

When the relay outputs are switched on, the mechanical contact on the relay cannot be tested automatically. Depending on the operational environment, measures to detect the non-opening of switching elements may be required under some circumstances.

When the product is used in accordance with the European Machinery Directive, a check must be carried out to ensure that the safety contacts on the relay outputs open correctly. Open the safety contacts (switch off output) and start the device again, so that the internal diagnostics can check that the safety contacts open correctly

- ▶ for SIL CL 3/PL e at least 1x per month
- ▶ for SIL CL 2/PL d at least 1x per year



NOTICE

The safety function should be checked after initial commissioning and each time the plant/machine is changed. The safety functions may only be checked by qualified personnel.

Status indicators

LEDs indicate the status and errors during operation:



LED on



POWER

Supply voltage is present.



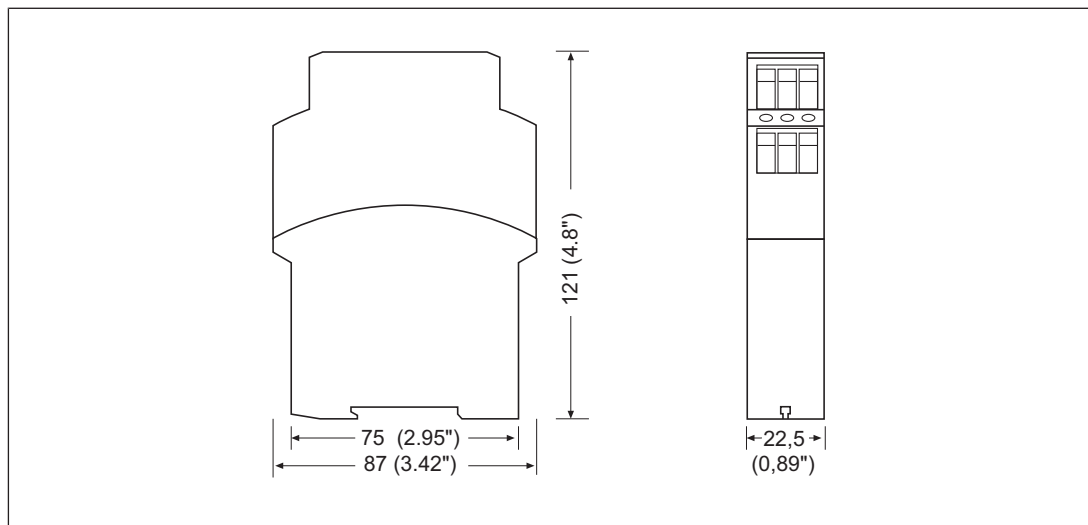
CH.1/CH.2

Safety contacts of channel 1 and 2 are closed.

Faults – Interference

- ▶ Earth fault: The supply voltage fails and the safety contacts open. Once the cause of the respective fault has been rectified and the supply voltage is switched off for approx. 1 minute, the unit is ready for operation again.
- ▶ Contact malfunctions: If the contacts have welded, reactivation will not be possible after the input circuit has opened.
- ▶ LED "POWER" does not light: Short circuit or no supply voltage.

Dimensions in mm



Technical details

Order no. 774049 – 774054

See below for more order numbers

| General | 774049 | 774053 | 774054 |
|---|---|---|---|
| Approvals | CCC, CE, EAC (Eurasian), KOSHA, TÜV, cULus Listed | CCC, CE, EAC (Eurasian), KOSHA, TÜV, cULus Listed | CCC, CE, EAC (Eurasian), KOSHA, TÜV, cULus Listed |
| Electrical data | 774049 | 774053 | 774054 |
| Supply voltage | | | |
| Voltage | 48 V | 110 V | 115 V |
| Kind | AC | AC | AC |
| Voltage tolerance | -15 %/+10 % | -15 %/+10 % | -15 %/+10 % |
| Output of external power supply (AC) | 2 VA | 2 VA | 2 VA |
| Frequency range AC | 50 - 60 Hz | 50 - 60 Hz | 50 - 60 Hz |
| Duty cycle | 100 % | 100 % | 100 % |
| Inputs | 774049 | 774053 | 774054 |
| Number | 1 | 1 | 1 |
| Voltage at | | | |
| Input circuit DC | 48 V | 110 V | 115 V |
| Start circuit DC | 24 V | 24 V | 24 V |
| Feedback loop DC | 24 V | 24 V | 24 V |
| Current at | | | |
| Input circuit DC | 45 mA | 14 mA | 17 mA |
| Start circuit DC | 40 mA | 40 mA | 40 mA |
| Feedback loop DC | 40 mA | 40 mA | 40 mA |
| Max. overall line capacitance C _{lmax} | 37 nF | 37 nF | 37 nF |
| Relay outputs | 774049 | 774053 | 774054 |
| Number of output contacts | | | |
| Safety contacts (N/O), instantaneous | 2 | 2 | 2 |
| Max. short circuit current I _K | 1 kA | 1 kA | 1 kA |
| Utilisation category | | | |
| In accordance with the standard | EN 60947-4-1 | EN 60947-4-1 | EN 60947-4-1 |

| Relay outputs | 774049 | 774053 | 774054 |
|--|--------------------------------------|--------------------------------------|--------------------------------------|
| Utilisation category of safety contacts | | | |
| AC1 at | 240 V | 240 V | 240 V |
| Min. current | 0,01 A | 0,01 A | 0,01 A |
| Max. current | 4 A | 4 A | 4 A |
| Max. power | 1000 VA | 1000 VA | 1000 VA |
| DC1 at | 24 V | 24 V | 24 V |
| Min. current | 0,01 A | 0,01 A | 0,01 A |
| Max. current | 4 A | 4 A | 4 A |
| Max. power | 100 W | 100 W | 100 W |
| Utilisation category | | | |
| In accordance with the standard | EN 60947-5-1 | EN 60947-5-1 | EN 60947-5-1 |
| Utilisation category of safety contacts | | | |
| AC15 at | 230 V | 230 V | 230 V |
| Max. current | 4 A | 4 A | 4 A |
| DC13 (6 cycles/min) at | 24 V | 24 V | 24 V |
| Max. current | 4 A | 4 A | 4 A |
| Utilisation category in accordance with UL | | | |
| Voltage | 240 V AC G. P. | 240 V AC G. P. | 240 V AC G. P. |
| With current | 4 A | 4 A | 4 A |
| Voltage | 24 V DC Resistive | 24 V DC Resistive | 24 V DC Resistive |
| With current | 4 A | 4 A | 4 A |
| Pilot Duty | C300, R300 | C300, R300 | C300, R300 |
| External contact fuse protection, safety contacts | | | |
| In accordance with the standard | EN 60947-5-1 | EN 60947-5-1 | EN 60947-5-1 |
| Max. melting integral | 240 A²s | 240 A²s | 240 A²s |
| Blow-out fuse, quick | 4 A | 4 A | 4 A |
| Blow-out fuse, slow | 4 A | 4 A | 4 A |
| Blow-out fuse, gG | 4 A | 4 A | 4 A |
| Circuit breaker 24V AC/DC, characteristic B/C | 4 A | 4 A | 4 A |
| Contact material | AgSnO₂ + 0,2 µm Au | AgSnO₂ + 0,2 µm Au | AgSnO₂ + 0,2 µm Au |
| Conventional thermal current while loading several contacts | 774049 | 774053 | 774054 |
| I _{th} per contact at UB AC; AC1: 240 V, DC1: 24 V | | | |
| Conv. therm. current with 1 contact | 4 A | 4 A | 4 A |
| Conv. therm. current with 2 contacts | 3 A | 3 A | 3 A |

| Times | 774049 | 774053 | 774054 |
|--|---|---|---|
| Switch-on delay | | | |
| With automatic start typ. | 230 ms | 230 ms | 230 ms |
| With automatic start max. | 700 ms | 700 ms | 700 ms |
| With automatic start after power on typ. | 230 ms | 230 ms | 230 ms |
| With automatic start after power on max. | 700 ms | 700 ms | 700 ms |
| With manual start typ. | 140 ms | 140 ms | 140 ms |
| With manual start max. | 700 ms | 700 ms | 700 ms |
| Delay-on de-energisation | | | |
| With E-STOP typ. | 70 ms | 70 ms | 70 ms |
| With E-STOP max. | 100 ms | 100 ms | 100 ms |
| With power failure typ. | 70 ms | 70 ms | 70 ms |
| With power failure max. | 100 ms | 100 ms | 100 ms |
| Recovery time at max. switching frequency 1/s | | | |
| After E-STOP | 120 ms | 120 ms | 120 ms |
| After power failure | 120 ms | 120 ms | 120 ms |
| Supply interruption before de-energisation | | | |
| | 20 ms | 20 ms | 20 ms |
| Environmental data | | | |
| Climatic suitability | EN 60068-2-78 | EN 60068-2-78 | EN 60068-2-78 |
| Ambient temperature | | | |
| Temperature range | -10 - 55 °C | -10 - 55 °C | -10 - 55 °C |
| Storage temperature | | | |
| Temperature range | -40 - 85 °C | -40 - 85 °C | -40 - 85 °C |
| Climatic suitability | | | |
| Humidity | 93 % r. h. at 40 °C | 93 % r. h. at 40 °C | 93 % r. h. at 40 °C |
| Condensation during operation | | | |
| | Not permitted | Not permitted | Not permitted |
| EMC | | | |
| | EN 60947-5-1, EN 61000-6-2, EN 61326-3-1 | EN 60947-5-1, EN 61000-6-2, EN 61326-3-1 | EN 60947-5-1, EN 61000-6-2, EN 61326-3-1 |
| Vibration | | | |
| In accordance with the standard | EN 60068-2-6 | EN 60068-2-6 | EN 60068-2-6 |
| Frequency | 10 - 55 Hz | 10 - 55 Hz | 10 - 55 Hz |
| Amplitude | 0,35 mm | 0,35 mm | 0,35 mm |
| Airgap creepage | | | |
| In accordance with the standard | EN 60947-1 | EN 60947-1 | EN 60947-1 |
| Overvoltage category | III / II | III / II | III / II |
| Pollution degree | 2 | 2 | 2 |
| Rated insulation voltage | | | |
| | 250 V | 250 V | 250 V |
| Rated impulse withstand voltage | | | |
| | 4 kV | 4 kV | 4 kV |

| Environmental data | 774049 | 774053 | 774054 |
|---|--|--|--|
| Protection type | | | |
| Housing | IP40 | IP40 | IP40 |
| Terminals | IP20 | IP20 | IP20 |
| Mounting area (e.g. control cabinet) | IP54 | IP54 | IP54 |
| Mechanical data | 774049 | 774053 | 774054 |
| Mounting position | Any | Any | Any |
| Mechanical life | 10,000,000 cycles | 10,000,000 cycles | 10,000,000 cycles |
| Material | | | |
| Bottom | PPO UL 94 V0 | PPO UL 94 V0 | PPO UL 94 V0 |
| Front | ABS UL 94 V0 | ABS UL 94 V0 | ABS UL 94 V0 |
| Top | PPO UL 94 V0 | PPO UL 94 V0 | PPO UL 94 V0 |
| Connection type | Screw terminal | Screw terminal | Screw terminal |
| Mounting type | Fixed | Fixed | Fixed |
| Conductor cross section with screw terminals | | | |
| 1 core flexible | 0,2 - 4 mm², 24 - 10 AWG | 0,2 - 4 mm², 24 - 10 AWG | 0,2 - 4 mm², 24 - 10 AWG |
| 2 core with the same cross section, flexible with crimp connectors, no plastic sleeve | 0,2 - 2,5 mm², 24 - 14 AWG | 0,2 - 2,5 mm², 24 - 14 AWG | 0,2 - 2,5 mm², 24 - 14 AWG |
| 2 core with the same cross section, flexible without crimp connectors or with TWIN crimp connectors | 0,2 - 2,5 mm², 24 - 14 AWG | 0,2 - 2,5 mm², 24 - 14 AWG | 0,2 - 2,5 mm², 24 - 14 AWG |
| Torque setting with screw terminals | 0,6 Nm | 0,6 Nm | 0,6 Nm |
| Dimensions | | | |
| Height | 87 mm | 87 mm | 87 mm |
| Width | 22,5 mm | 22,5 mm | 22,5 mm |
| Depth | 121 mm | 121 mm | 121 mm |
| Weight | 225 g | 225 g | 225 g |

Where standards are undated, the 2017-01 latest editions shall apply.

Order no. 774055 – 774057

See below for more order numbers

| General | 774055 | 774056 | 774057 |
|---|---|---|---|
| Approvals | CCC, CE, EAC (Eurasian), KOSHA, TÜV, cULus Listed | CCC, CE, EAC (Eurasian), KOSHA, TÜV, cULus Listed | CCC, CE, EAC (Eurasian), KOSHA, TÜV, cULus Listed |
| Electrical data | 774055 | 774056 | 774057 |
| Supply voltage | | | |
| Voltage | 120 V | 230 V | 240 V |
| Kind | AC | AC | AC |
| Voltage tolerance | -15 %/+10 % | -15 %/+10 % | -15 %/+10 % |
| Output of external power supply (AC) | 2 VA | 2 VA | 2 VA |
| Frequency range AC | 50 - 60 Hz | 50 - 60 Hz | 50 - 60 Hz |
| Duty cycle | 100 % | 100 % | 100 % |
| Inputs | 774055 | 774056 | 774057 |
| Number | 1 | 1 | 1 |
| Voltage at | | | |
| Input circuit DC | 120 V | 230 V | 240 V |
| Start circuit DC | 24 V | 24 V | 24 V |
| Feedback loop DC | 24 V | 24 V | 24 V |
| Current at | | | |
| Input circuit DC | 18 mA | 8 mA | 7 mA |
| Start circuit DC | 40 mA | 40 mA | 40 mA |
| Feedback loop DC | 40 mA | 40 mA | 40 mA |
| Max. overall line capacitance C _{lmax} | 37 nF | 7 nF | 7 nF |
| Relay outputs | 774055 | 774056 | 774057 |
| Number of output contacts | | | |
| Safety contacts (N/O), instantaneous | 2 | 2 | 2 |
| Max. short circuit current I _K | 1 kA | 1 kA | 1 kA |
| Utilisation category | | | |
| In accordance with the standard | EN 60947-4-1 | EN 60947-4-1 | EN 60947-4-1 |
| Utilisation category of safety contacts | | | |
| AC1 at | 240 V | 240 V | 240 V |
| Min. current | 0,01 A | 0,01 A | 0,01 A |
| Max. current | 4 A | 4 A | 4 A |
| Max. power | 1000 VA | 1000 VA | 1000 VA |
| DC1 at | 24 V | 24 V | 24 V |
| Min. current | 0,01 A | 0,01 A | 0,01 A |
| Max. current | 4 A | 4 A | 4 A |
| Max. power | 100 W | 100 W | 100 W |

| Relay outputs | 774055 | 774056 | 774057 |
|--|--------------------------------------|--------------------------------------|--------------------------------------|
| Utilisation category | | | |
| In accordance with the standard | EN 60947-5-1 | EN 60947-5-1 | EN 60947-5-1 |
| Utilisation category of safety contacts | | | |
| AC15 at | 230 V | 230 V | 230 V |
| Max. current | 4 A | 4 A | 4 A |
| DC13 (6 cycles/min) at | 24 V | 24 V | 24 V |
| Max. current | 4 A | 4 A | 4 A |
| Utilisation category in accordance with UL | | | |
| Voltage | 240 V AC G. P. | 240 V AC G. P. | 240 V AC G. P. |
| With current | 4 A | 4 A | 4 A |
| Voltage | 24 V DC Resistive | 24 V DC Resistive | 24 V DC Resistive |
| With current | 4 A | 4 A | 4 A |
| Pilot Duty | C300, R300 | C300, R300 | C300, R300 |
| External contact fuse protection, safety contacts | | | |
| In accordance with the standard | EN 60947-5-1 | EN 60947-5-1 | EN 60947-5-1 |
| Max. melting integral | 240 A²s | 240 A²s | 240 A²s |
| Blow-out fuse, quick | 4 A | 4 A | 4 A |
| Blow-out fuse, slow | 4 A | 4 A | 4 A |
| Blow-out fuse, gG | 4 A | 4 A | 4 A |
| Circuit breaker 24V AC/DC, characteristic B/C | 4 A | 4 A | 4 A |
| Contact material | AgSnO₂ + 0,2 µm Au | AgSnO₂ + 0,2 µm Au | AgSnO₂ + 0,2 µm Au |
| Conventional thermal current while loading several contacts | 774055 | 774056 | 774057 |
| I _{th} per contact at UB AC; AC1: 240 V, DC1: 24 V | | | |
| Conv. therm. current with 1 contact | 4 A | 4 A | 4 A |
| Conv. therm. current with 2 contacts | 3 A | 3 A | 3 A |

| Times | 774055 | 774056 | 774057 |
|--|---|---|---|
| Switch-on delay | | | |
| With automatic start typ. | 230 ms | 230 ms | 230 ms |
| With automatic start max. | 700 ms | 700 ms | 700 ms |
| With automatic start after power on typ. | 230 ms | 230 ms | 230 ms |
| With automatic start after power on max. | 700 ms | 700 ms | 700 ms |
| With manual start typ. | 140 ms | 140 ms | 140 ms |
| With manual start max. | 700 ms | 700 ms | 700 ms |
| Delay-on de-energisation | | | |
| With E-STOP typ. | 70 ms | 70 ms | 70 ms |
| With E-STOP max. | 100 ms | 100 ms | 100 ms |
| With power failure typ. | 70 ms | 70 ms | 70 ms |
| With power failure max. | 100 ms | 100 ms | 100 ms |
| Recovery time at max. switching frequency 1/s | | | |
| After E-STOP | 120 ms | 120 ms | 120 ms |
| After power failure | 120 ms | 120 ms | 120 ms |
| Supply interruption before de-energisation | | | |
| | 20 ms | 20 ms | 20 ms |
| Environmental data | | | |
| Climatic suitability | EN 60068-2-78 | EN 60068-2-78 | EN 60068-2-78 |
| Ambient temperature | | | |
| Temperature range | -10 - 55 °C | -10 - 55 °C | -10 - 55 °C |
| Storage temperature | | | |
| Temperature range | -40 - 85 °C | -40 - 85 °C | -40 - 85 °C |
| Climatic suitability | | | |
| Humidity | 93 % r. h. at 40 °C | 93 % r. h. at 40 °C | 93 % r. h. at 40 °C |
| Condensation during operation | | | |
| | Not permitted | Not permitted | Not permitted |
| EMC | | | |
| | EN 60947-5-1, EN 61000-6-2, EN 61326-3-1 | EN 60947-5-1, EN 61000-6-2, EN 61326-3-1 | EN 60947-5-1, EN 61000-6-2, EN 61326-3-1 |
| Vibration | | | |
| In accordance with the standard | EN 60068-2-6 | EN 60068-2-6 | EN 60068-2-6 |
| Frequency | 10 - 55 Hz | 10 - 55 Hz | 10 - 55 Hz |
| Amplitude | 0,35 mm | 0,35 mm | 0,35 mm |
| Airgap creepage | | | |
| In accordance with the standard | EN 60947-1 | EN 60947-1 | EN 60947-1 |
| Overvoltage category | III / II | III / II | III / II |
| Pollution degree | 2 | 2 | 2 |
| Rated insulation voltage | | | |
| | 250 V | 250 V | 250 V |
| Rated impulse withstand voltage | | | |
| | 4 kV | 4 kV | 4 kV |

| Environmental data | 774055 | 774056 | 774057 |
|---|--|--|--|
| Protection type | | | |
| Housing | IP40 | IP40 | IP40 |
| Terminals | IP20 | IP20 | IP20 |
| Mounting area (e.g. control cabinet) | IP54 | IP54 | IP54 |
| Mechanical data | 774055 | 774056 | 774057 |
| Mounting position | Any | Any | Any |
| Mechanical life | 10,000,000 cycles | 10,000,000 cycles | 10,000,000 cycles |
| Material | | | |
| Bottom | PPO UL 94 V0 | PPO UL 94 V0 | PPO UL 94 V0 |
| Front | ABS UL 94 V0 | ABS UL 94 V0 | ABS UL 94 V0 |
| Top | PPO UL 94 V0 | PPO UL 94 V0 | PPO UL 94 V0 |
| Connection type | Screw terminal | Screw terminal | Screw terminal |
| Mounting type | Fixed | Fixed | Fixed |
| Conductor cross section with screw terminals | | | |
| 1 core flexible | 0,2 - 4 mm², 24 - 10 AWG | 0,2 - 4 mm², 24 - 10 AWG | 0,2 - 4 mm², 24 - 10 AWG |
| 2 core with the same cross section, flexible with crimp connectors, no plastic sleeve | 0,2 - 2,5 mm², 24 - 14 AWG | 0,2 - 2,5 mm², 24 - 14 AWG | 0,2 - 2,5 mm², 24 - 14 AWG |
| 2 core with the same cross section, flexible without crimp connectors or with TWIN crimp connectors | 0,2 - 2,5 mm², 24 - 14 AWG | 0,2 - 2,5 mm², 24 - 14 AWG | 0,2 - 2,5 mm², 24 - 14 AWG |
| Torque setting with screw terminals | 0,6 Nm | 0,6 Nm | 0,6 Nm |
| Dimensions | | | |
| Height | 87 mm | 87 mm | 87 mm |
| Width | 22,5 mm | 22,5 mm | 22,5 mm |
| Depth | 121 mm | 121 mm | 121 mm |
| Weight | 225 g | 225 g | 225 g |

Where standards are undated, the 2017-01 latest editions shall apply.

Order no. 774058 – 774059

| General | 774058 | 774059 |
|---|--|--|
| Approvals | CCC, CE, EAC (Eurasian), KOSHA, TÜV, cULus Listed | CCC, CE, EAC (Eurasian), KOSHA, TÜV, cULus Listed |
| Electrical data | 774058 | 774059 |
| Supply voltage | | |
| Voltage | 42 V | 24 V |
| Kind | AC | AC/DC |
| Voltage tolerance | -15 %/+10 % | -15 %/+10 % |
| Output of external power supply (AC) | 2 VA | 3 VA |
| Output of external power supply (DC) | – | 1,5 W |
| Frequency range AC | 50 - 60 Hz | 50 - 60 Hz |
| Residual ripple DC | – | 160 % |
| Duty cycle | 100 % | 100 % |
| Max. inrush current impulse | | |
| Current pulse, A1 | – | 1,7 A |
| Pulse duration, A1 | – | 8 ms |
| Inputs | 774058 | 774059 |
| Number | 1 | 1 |
| Voltage at | | |
| Input circuit DC | 42 V | 24 V |
| Start circuit DC | 24 V | 24 V |
| Feedback loop DC | 24 V | 24 V |
| Current at | | |
| Input circuit DC | 49 mA | 50 mA |
| Start circuit DC | 40 mA | 210 mA |
| Feedback loop DC | 40 mA | 210 mA |
| Max. overall cable resistance RI-max | | |
| Single-channel at UB DC | – | 15 Ohm |
| Single-channel at UB AC | – | 15 Ohm |
| Max. overall line capacitance C _{lmax} | 37 nF | – |
| Relay outputs | 774058 | 774059 |
| Number of output contacts | | |
| Safety contacts (N/O), instantaneous | 2 | 2 |
| Max. short circuit current I _K | 1 kA | 1 kA |
| Utilisation category | | |
| In accordance with the standard | EN 60947-4-1 | EN 60947-4-1 |


| Relay outputs | 774058 | 774059 |
|--|--------------------------------------|--------------------------------------|
| Utilisation category of safety contacts | | |
| AC1 at | 240 V | 240 V |
| Min. current | 0,01 A | 0,01 A |
| Max. current | 4 A | 6 A |
| Max. power | 1000 VA | 1500 VA |
| DC1 at | 24 V | 24 V |
| Min. current | 0,01 A | 0,01 A |
| Max. current | 4 A | 6 A |
| Max. power | 100 W | 150 W |
| Utilisation category | | |
| In accordance with the standard | EN 60947-5-1 | EN 60947-5-1 |
| Utilisation category of safety contacts | | |
| AC15 at | 230 V | 230 V |
| Max. current | 4 A | 5 A |
| DC13 (6 cycles/min) at | 24 V | 24 V |
| Max. current | 4 A | 6 A |
| Utilisation category in accordance with UL | | |
| Voltage | 240 V AC G. P. | 240 V AC G. P. |
| With current | 4 A | 6 A |
| Voltage | 24 V DC Resistive | 24 V DC Resistive |
| With current | 4 A | 6 A |
| Pilot Duty | C300, R300 | C300, R300 |
| External contact fuse protection, safety contacts | | |
| In accordance with the standard | EN 60947-5-1 | EN 60947-5-1 |
| Max. melting integral | 240 A²s | 240 A²s |
| Blow-out fuse, quick | 4 A | 6 A |
| Blow-out fuse, slow | 4 A | 4 A |
| Blow-out fuse, gG | 4 A | 6 A |
| Circuit breaker 24V AC/DC, characteristic B/C | 4 A | 4 A |
| Conventional thermal current | – | 6 A |
| Contact material | AgSnO₂ + 0,2 µm Au | AgSnO₂ + 0,2 µm Au |
| Conventional thermal current while loading several contacts | 774058 | 774059 |
| I _{th} per contact at UB AC; AC1: 240 V, DC1: 24 V | | |
| Conv. therm. current with 1 contact | 4 A | – |
| Conv. therm. current with 2 contacts | 3 A | – |

| Times | 774058 | 774059 |
|---|---|---|
| Switch-on delay | | |
| With automatic start typ. | 230 ms | 50 ms |
| With automatic start max. | 700 ms | 150 ms |
| With automatic start after power on typ. | 230 ms | 50 ms |
| With automatic start after power on max. | 700 ms | 150 ms |
| With manual start typ. | 140 ms | 35 ms |
| With manual start max. | 700 ms | 150 ms |
| Delay-on de-energisation | | |
| With E-STOP typ. | 70 ms | 45 ms |
| With E-STOP max. | 100 ms | 70 ms |
| With power failure typ. | 70 ms | 45 ms |
| With power failure max. | 100 ms | 70 ms |
| Recovery time at max. switching frequency 1/s | | |
| After E-STOP | 120 ms | 50 ms |
| After power failure | 120 ms | 150 ms |
| Supply interruption before de-energisation | | |
| | 20 ms | 20 ms |
| Environmental data | | |
| | 774058 | 774059 |
| Climatic suitability | | |
| | EN 60068-2-78 | EN 60068-2-78 |
| Ambient temperature | | |
| Temperature range | -10 - 55 °C | -10 - 55 °C |
| Storage temperature | | |
| Temperature range | -40 - 85 °C | -40 - 85 °C |
| Climatic suitability | | |
| Humidity | 93 % r. h. at 40 °C | 93 % r. h. at 40 °C |
| Condensation during operation | | |
| | Not permitted | Not permitted |
| EMC | | |
| | EN 60947-5-1, EN 61000-6-2, EN 61326-3-1 | EN 60947-5-1, EN 61000-6-2, EN 61326-3-1 |
| Vibration | | |
| In accordance with the standard | EN 60068-2-6 | EN 60068-2-6 |
| Frequency | 10 - 55 Hz | 10 - 55 Hz |
| Amplitude | 0,35 mm | 0,35 mm |
| Airgap creepage | | |
| In accordance with the standard | EN 60947-1 | EN 60947-1 |
| Overvoltage category | III / II | III / II |
| Pollution degree | 2 | 2 |
| Rated insulation voltage | | |
| | 250 V | 250 V |
| Rated impulse withstand voltage | | |
| | 4 kV | 4 kV |
| Protection type | | |
| Housing | IP40 | IP40 |
| Terminals | IP20 | IP20 |
| Mounting area (e.g. control cabinet) | IP54 | IP54 |

| Mechanical data | 774058 | 774059 |
|---|--|--|
| Mounting position | Any | Any |
| Mechanical life | 10,000,000 cycles | 10,000,000 cycles |
| Material | | |
| Bottom | PPO UL 94 V0 | PPO UL 94 V0 |
| Front | ABS UL 94 V0 | ABS UL 94 V0 |
| Top | PPO UL 94 V0 | PPO UL 94 V0 |
| Connection type | Screw terminal | Screw terminal |
| Mounting type | Fixed | Fixed |
| Conductor cross section with screw terminals | | |
| 1 core flexible | 0,2 - 4 mm², 24 - 10 AWG | 0,2 - 4 mm², 24 - 10 AWG |
| 2 core with the same cross section, flexible with crimp connectors, no plastic sleeve | 0,2 - 2,5 mm², 24 - 14 AWG | 0,2 - 2,5 mm², 24 - 14 AWG |
| 2 core with the same cross section, flexible without crimp connectors or with TWIN crimp connectors | 0,2 - 2,5 mm², 24 - 14 AWG | 0,2 - 2,5 mm², 24 - 14 AWG |
| Torque setting with screw terminals | 0,6 Nm | 0,6 Nm |
| Dimensions | | |
| Height | 87 mm | 87 mm |
| Width | 22,5 mm | 22,5 mm |
| Depth | 121 mm | 121 mm |
| Weight | 225 g | 185 g |

Where standards are undated, the 2017-01 latest editions shall apply.


Safety characteristic data



NOTICE
 You must comply with the safety-related characteristic data in order to achieve the required safety level for your plant/machine.


| Operating Mode | EN ISO 13849-1: 2015 PL | EN ISO 13849-1: 2015 Category | EN 62061 SIL CL | EN 62061 PFH _D [1/h] | IEC 61511 SIL | IEC 61511 PFD | EN ISO 13849-1: 2015 T _M [year] |
|----------------|----------------------------|----------------------------------|--------------------|------------------------------------|------------------|------------------|---|
| – | PL e | Cat. 4 | SIL CL 3 | 2,31E-09 | SIL 3 | 2,03E-06 | 20 |

All the units used within a safety function must be considered when calculating the safety characteristic data.



INFORMATION
 A safety function's SIL/PL values are **not** identical to the SIL/PL values of the units that are used and may be different. We recommend that you use the PAScal software tool to calculate the safety function's SIL/PL values.

Supplementary data

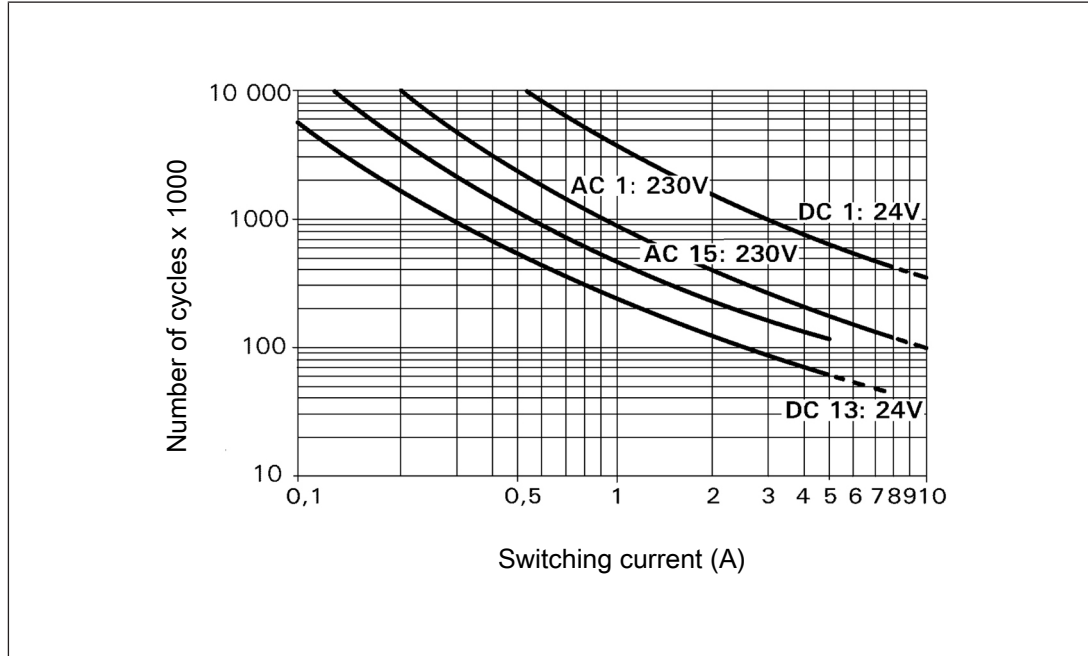


CAUTION!
 It is essential to consider the relay's service life graphs. The relay outputs' safety-related characteristic data is only valid if the values in the service life graphs are met.

The PFH value depends on the switching frequency and the load on the relay output. If the service life graphs are not accessible, the stated PFH value can be used irrespective of the switching frequency and the load, as the PFH value already considers the relay's B10d value as well as the failure rates of the other components.

Service life graph

The service life graphs indicate the number of cycles from which failures due to wear must be expected. The wear is mainly caused by the electrical load; the mechanical load is negligible.



Example

- ▶ Inductive load: 0.2 A
- ▶ Utilisation category: AC15
- ▶ Contact service life: 4 000 000 cycles

Provided the application to be implemented requires fewer than 4 000 000 cycles, the PFH value (see Technical details) can be used in the calculation.

To increase the service life, sufficient spark suppression must be provided on all output contacts. With capacitive loads, any power surges that occur must be noted. With DC contacts, use flywheel diodes for spark suppression.

Order reference

| Product type | Features | Connection type | Order no. |
|--------------|-----------|-----------------|-----------|
| PNOZ X7 | 42 VAC | Screw terminals | 774 058 |
| PNOZ X7 | 48 V AC | Screw terminals | 774 049 |
| PNOZ X7 | 110 V AC | Screw terminals | 774 053 |
| PNOZ X7 | 115 V AC | Screw terminals | 774 054 |
| PNOZ X7 | 120 V AC | Screw terminals | 774 055 |
| PNOZ X7 | 230 V AC | Screw terminals | 774 056 |
| PNOZ X7 | 240 VAC | Screw terminals | 774 057 |
| PNOZ X7 | 24 VAC/DC | Screw terminals | 774 059 |

EC declaration of conformity

This product/these products meet the requirements of the directive 2006/42/EC for machinery of the European Parliament and of the Council. The complete EC Declaration of Conformity is available on the Internet at www.pilz.com/support/downloads.

Representative: Norbert Fröhlich, Pilz GmbH & Co. KG, Felix-Wankel-Str. 2, 73760 Ostfildern, Germany

► Support

Technical support is available from Pilz round the clock.

Americas

Brazil

+55 11 97569-2804

Canada

+1 888-315-PILZ (315-7459)

Mexico

+52 55 5572 1300

USA (toll-free)

+1 877-PILZUSA (745-9872)

Asia

China

+86 21 60880878-216

Japan

+81 45 471-2281

South Korea

+82 31 450 0680

Australia

+61 3 95600621

Europe

Austria

+43 1 7986263-0

Belgium, Luxembourg

+32 9 3217575

France

+33 3 88104000

Germany

+49 711 3409-444

Ireland

+353 21 4804983

Italy, Malta

+39 0362 1826711

Scandinavia

+45 74436332

Spain

+34 938497433

Switzerland

+41 62 88979-30

The Netherlands

+31 347 320477

Turkey

+90 216 5775552

United Kingdom

+44 1536 462203

You can reach our international hotline on:

+49 711 3409-444

support@pilz.com

Pilz develops environmentally-friendly products using ecological materials and energy-saving technologies. Offices and production facilities are ecologically designed, environmentally-aware and energy-saving. So Pilz offers sustainability, plus the security of using energy-efficient products and environmentally-friendly solutions.

Energy saving by Pilz



Pilz GmbH & Co. KG
Felix-Wankel-Straße 2
73760 Ostfildern, Germany
Tel.: +49 711 3409-0
Fax: +49 711 3409-133
info@pilz.com
www.pilz.com

PILZ
THE SPIRIT OF SAFETY

CMSE®, InduraNET p®, PAS4000®, PASscal®, PASconfig®, Pilz®, PIT®, PLID®, PMCPirotego®, PMCiendo®, PMD®, PMI®, PNOZ®, Pirmo®, PSEN®, PSENi®, PSS®, PVIS®, SafetyBUS SafetyEYE®, SafetyNET p®, THE SPIRIT OF SAFETY® are registered and protected trademarks of Pilz GmbH & Co. KG in some countries. We would point out that product features mentioned in the details stated in this document, depending on the status at the time of publication and the scope of the equipment. We accept no responsibility for the validity, accuracy and entirety of the text and graphics presented in this information. Please contact our Technical Support if you have any questions.