



## PNOZ e6vp

# PILZ

THE SPIRIT OF SAFETY

► Safety relays

This document is the original document.

Where unavoidable, for reasons of readability, the masculine form has been selected when formulating this document. We do assure you that all persons are regarded without discrimination and on an equal basis.

All rights to this documentation are reserved by Pilz GmbH & Co. KG. Copies may be made for the user's internal purposes. Suggestions and comments for improving this documentation will be gratefully received.

Pilz®, PIT®, PMI®, PNOZ®, Primo®, PSEN®, PSS®, PVIS®, SafetyBUS p®, SafetyEYE®, SafetyNET p®, the spirit of safety® are registered and protected trademarks of Pilz GmbH & Co. KG in some countries.



SD means Secure Digital

<b>Introduction</b> .....	<b>5</b>
Validity of documentation .....	5
Using the documentation .....	5
Definition of symbols .....	5
<b>Safety</b> .....	<b>6</b>
Intended use .....	6
Safety regulations .....	6
Safety assessment .....	6
Use of qualified personnel .....	7
Warranty and liability .....	7
Disposal .....	7
For your safety .....	7
<b>Unit features</b> .....	<b>8</b>
<b>Safety features</b> .....	<b>8</b>
<b>Block diagram/terminal configuration</b> .....	<b>9</b>
<b>Function description</b> .....	<b>9</b>
Operating modes .....	10
Selecting sensors .....	11
<b>Installation</b> .....	<b>11</b>
<b>Wiring</b> .....	<b>11</b>
<b>Preparing for operation</b> .....	<b>13</b>
Supply voltage .....	13
Input circuit .....	13
Start circuit .....	14
Feedback loop .....	14
<b>Logic connection between several units</b> .....	<b>16</b>
Logic input S35 and S36 .....	17
Examples .....	18
<b>Operation</b> .....	<b>22</b>
Status indicators .....	22
<b>Faults – Interference</b> .....	<b>23</b>
<b>Dimensions in mm</b> .....	<b>28</b>
<b>Technical details</b> .....	<b>28</b>
Safety characteristic data .....	33

<b>Supplementary data</b> .....	<b>34</b>
Service life graph .....	34
<b>Remove plug-in terminals</b> .....	<b>36</b>
<b>Order reference</b> .....	<b>36</b>
Product .....	36
Accessories .....	36
<b>EC declaration of conformity</b> .....	<b>37</b>
<b>UKCA-Declaration of Conformity</b> .....	<b>37</b>

## Introduction

### Validity of documentation

This documentation is valid for the product PNOZ e6vp. It is valid until new documentation is published.

This operating manual explains the function and operation, describes the installation and provides guidelines on how to connect the product.

### Using the documentation

This document is intended for instruction. Only install and commission the product if you have read and understood this document. The document should be retained for future reference.

### Definition of symbols

Information that is particularly important is identified as follows:



#### **DANGER!**

This warning must be heeded! It warns of a hazardous situation that poses an immediate threat of serious injury and death and indicates preventive measures that can be taken.



#### **WARNING!**

This warning must be heeded! It warns of a hazardous situation that could lead to serious injury and death and indicates preventive measures that can be taken.



#### **CAUTION!**

This refers to a hazard that can lead to a less serious or minor injury plus material damage, and also provides information on preventive measures that can be taken.



#### **NOTICE**

This describes a situation in which the product or devices could be damaged and also provides information on preventive measures that can be taken. It also highlights areas within the text that are of particular importance.

**INFORMATION**

This gives advice on applications and provides information on special features.


**Safety****Intended use**

The safety relay PNOZ e6vp provides a safety-related interruption of a safety circuit.

The safety relay meets the requirements of EN 60947-5-1 and EN 60204-1 and may be used in applications with:

- ▶ E-STOP pushbuttons
- ▶ Safety gates
- ▶ Light grids and safety switches with detection of shorts across contacts

The following is deemed improper use in particular

- ▶ Any component, technical or electrical modification to the product,
- ▶ Use of the product outside the areas described in this operating manual,
- ▶ Use of the product outside the technical details (see [Technical details](#)  28]).

**NOTICE****EMC-compliant electrical installation**

The product is designed for use in an industrial environment. The product may cause interference if installed in other environments. If installed in other environments, measures should be taken to comply with the applicable standards and directives for the respective installation site with regard to interference.

**Safety regulations****Safety assessment**

Before using a device, a safety assessment in accordance with the Machinery Directive is required.

The product as an individual component fulfils the functional safety requirements in accordance with EN ISO 13849 and EN 62061. However, this does not guarantee the functional safety of the overall plant/machine. To achieve the relevant safety level of the overall plant/machine's required safety functions, each safety function needs to be considered separately.

**Use of qualified personnel**

The products may only be assembled, installed, programmed, commissioned, operated, maintained and decommissioned by persons who are competent to do so.

A competent person is a qualified and knowledgeable person who, because of their training, experience and current professional activity, has the specialist knowledge required. To be able to inspect, assess and operate devices, systems and machines, the person has to be informed of the state of the art and the applicable national, European and international laws, directives and standards.

It is the company's responsibility only to employ personnel who

- ▶ Are familiar with the basic regulations concerning health and safety / accident prevention,
- ▶ Have read and understood the information provided in the section entitled Safety
- ▶ Have a good knowledge of the generic and specialist standards applicable to the specific application.

**Warranty and liability**

All claims to warranty and liability will be rendered invalid if

- ▶ The product was used contrary to the purpose for which it is intended,
- ▶ Damage can be attributed to not having followed the guidelines in the manual,
- ▶ Operating personnel are not suitably qualified,
- ▶ Any type of modification has been made (e.g. exchanging components on the PCB boards, soldering work etc.).

**Disposal**

- ▶ In safety-related applications, please comply with the mission time  $T_M$  in the safety-related characteristic data.
- ▶ When decommissioning, please comply with local regulations regarding the disposal of electronic devices (e.g. Electrical and Electronic Equipment Act).

**For your safety**

The unit meets all the necessary conditions for safe operation. However, please note the following:

- ▶ Note for overvoltage category III:  
If voltages higher than low voltage (>50 V AC or >120 V DC) are present on the unit, connected control elements and sensors must have a rated insulation voltage of at least 250 V

### Unit features

- ▶ Outputs using semiconductor technology:
  - 1 safety output, either instantaneous or delayed
  - 1 safety output, delayed
  - 1 auxiliary output
  - 2 test pulse outputs
- ▶ Positive-guided relay outputs:
  - 4 safety contacts (N/O), either instantaneous or delay-on de-energisation
- ▶ Connection options:
  - E-STOP pushbuttons
  - Safety gate limit switches
  - Start button
  - Proximity switch
- ▶ To process signals from output signal switching devices (OSSDs) on light grids
- ▶ Selectable delay time
- ▶ LED display for:
  - Supply voltage
  - Switch state of safety outputs
- ▶ 2 logic inputs (AND/OR) for logic connections between several units
- ▶ Feedback loops for monitoring external contactors
- ▶ Detection of shorts across contacts via test pulse outputs

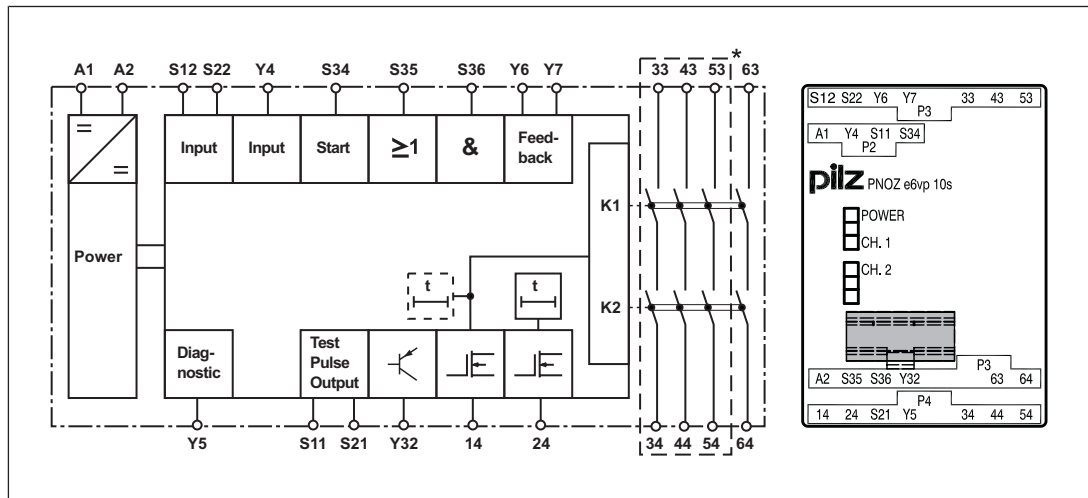
### Safety features

The relay meets the following safety requirements:

- ▶ The circuit is redundant with built-in self-monitoring.
- ▶ The safety device remains effective in the case of a component failure.
- ▶ The safety outputs are tested periodically using an off-test.



## Block diagram/terminal configuration



\*Safe separation from non-marked area in accordance with EN 60947-1, 6 kV, basic insulation between all safety contacts.

## Function description

When supply voltage is applied and the set operating mode is detected (initialisation phase), the "POWER" LED is lit. The unit is ready for operation when the feedback loops are closed.

- ▶ Input circuit is closed (e.g. E-STOP pushbutton not operated):
  - There are high signals at safety outputs 14 and 24 and auxiliary output Y32.
  - The safety contacts 33-34, 43-44, 53-54 and 63-64 are closed.
  - The LEDs "CH.1" and "CH.2" are lit.
- ▶ Input circuit is opened (e.g. E-STOP pushbutton operated):
  - There are low signals at safety output 14 and auxiliary output Y32.
  - Safety contacts 33-34, 43-44, 53-54 and 63-64 are opened redundantly.
  - The LED "CH.1" goes out.
  - There is a low signal at safety output 24 once the set delay time has elapsed.
  - LED "CH.2" goes out.

Safety output 14 can also be delayed (see [Logic input S35 and S36](#) [18]).

Safety contacts 33-34, 43-44, 53-54 and 63-64 react in the same way as safety output 14, either instantaneously or with delay-on de-energisation.



### NOTICE

There is a low signal at the delayed safety output, at the latest after the set delay time + 40 ms + 10 % of the set value, even in the case of a component failure.

At the latest, the delay-on de-energisation safety contacts open after the set delay time + 40 ms + 60 ms + 10 % of the set value, even in the case of a component failure.

### Feedback loop

Before a safety output is switched on, a test is run to establish whether the contacts at feedback loop inputs Y6 and Y7 are closed. If a contact is open, an error is detected and LEDs CH.1 and CH.2 will flash alternately. It will not be possible to switch the unit back on until the feedback loops are closed and the safety function has been reset.

The feedback loop contacts are also checked when the signal at the output changes from high to low. After this signal change, the contacts at the feedback loop inputs must close within 150 ms. If a contact is still open after 150 ms has elapsed, an error is detected and is displayed as a flashing code 1,8 (see [Faults – Interference \[23\]](#)). It will not be possible to switch the unit back on until the error has been rectified and the supply voltage has been switched off and then on again.

### AND/OR connection

The PNOZ e6vp has two logic inputs S35 (OR) and S36 (AND) for logic connections between several units.

### Operating modes

- ▶ Single-channel operation: Input wiring in accordance with EN 60204, no redundancy in the input circuit; earth faults in the input circuit and start circuit are detected.
- ▶ Dual-channel operation: Redundant input circuit; earth faults in the input circuit and start circuit are detected, with or without detection of shorts between the pushbutton contacts.
- ▶ Automatic start: Unit is active once the input circuit has been closed.
- ▶ Monitored start: Unit is not active until the start button has been operated and then released.
- ▶ The start-up test prevents automatic restarting after a power failure and subsequent return of voltage. The unit checks whether the input circuit is opened and then closed when supply voltage is applied.
- ▶ Increase in the number of available contacts by connecting contact expansion modules or external contactors/relays.

### Selecting sensors

When selecting sensors, you must comply with the technical details of the input circuits on the PNOZelog units.

Please note:

- ▶ Sensors with mechanical contacts can be used in operating modes with or without detection of shorts across contacts, provided you comply with the technical details provided by the manufacturer. It is not always possible to use sensors with semiconductor outputs when operating with detection of shorts across contacts.
- ▶ Sensors with pulsed semiconductor outputs are only permitted if the PNOZelog is operated without detection of shorts across contacts.

### Installation



#### CAUTION!

**Electrostatic discharge can damage components on the safety system!**

Ensure against discharge before touching the safety system, e.g. by touching an earthed, conductive surface or by wearing an earthed armband.

- ▶ The unit should be installed in a control cabinet with a protection type of at least IP54.
- ▶ Use the notch on the rear of the unit to attach it to a DIN rail (35 mm).
- ▶ When installed vertically: Secure the unit by using a fixing element (e.g. retaining bracket or end angle).



#### NOTICE

If you are connecting several units logically, please note the guidelines in the section entitled [Logic connection between several units](#) [16].

### Wiring




Please note:

- ▶ Information given in the "[Technical details](#) [28]" must be followed.
- ▶ Use copper wiring with a temperature stability of 60/75 °C.
- ▶ To prevent EMC interferences (particularly common-mode interferences) the measures described in EN 60204-1 must be executed. This includes the separate routing of cables of the control circuits (input, start and feedback loop) from other cables for energy transmission or the shielding of cables, for example.
- ▶ Calculation of the max. cable length  $l_{\max}$  in the input circuit:

$$l_{\max} = \frac{R_{l\max}}{R_l / \text{km}}$$

$R_{l\max}$  = max. overall cable resistance (see [Technical details](#) [28])

$R_l / \text{km}$  = cable resistance/km

- ▶ Cables that have to be laid outside the control cabinet must be protected from mechanical damage, e.g. by installing them in a conduit.
- ▶ The unit and the input circuits must always be supplied by a single power supply.
- ▶ Only safety outputs 14 and 24 and safety contacts 33-34, 43-44, 53-54 and 63-64 should be used for safety-related applications.
- ▶ The safety outputs must **not** be connected to control inputs.
- ▶ To suppress the pulse on switching off at safety outputs 14 and 24, use the terminal block with filter (see [Order reference](#)  36]).
- ▶ You must comply with the idling capacity at safety outputs 14 and 24 (see [Technical details](#)  28]).
- ▶ Do not connect undesignated terminals.
- ▶ Only contactors with positive-guided contacts should be used for safety functions.
- ▶ Output Y32 is an auxiliary output, e.g. for communication with a PLC or text display.
- ▶ Auxiliary output Y32 should **not** be used for safety circuits!
- ▶ Use freewheel diodes to drive inductive loads (e.g. contactors or relays) with the safety/auxiliary outputs.
- ▶ When connecting magnetically operated, reed proximity switches, ensure that the max. peak inrush current (on the input circuit) does not overload the proximity switch.
- ▶ Do not switch low currents using contacts that have been used previously with high currents.
- ▶ To prevent contact welding, a fuse should be connected before the output contacts (see [Technical details](#)  28]).
- ▶ The power supply must comply with the regulations for extra low voltages with protective electrical separation (SELV, PELV) in accordance with VDE 0100, Part 410.
- ▶ Terminal Y5 is provided for Pilz-internal diagnostic purposes.

## Preparing for operation

### Supply voltage

Supply voltage	AC	DC

### Input circuit


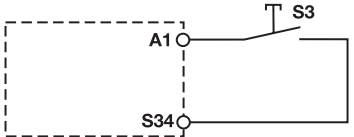
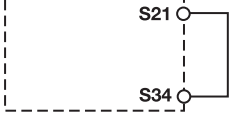
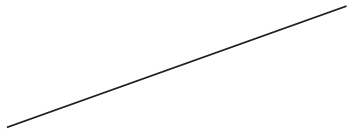
Connect the N/C contact from the trigger element (e.g. E-STOP) to the input circuit.

The table describes how the input circuit is wired when the unit is used individually (without logic input). If units are linked together logically, Y4 must be wired as described in the table in the section entitled "Logic connection between several units [18]".

Input circuit	Single-channel	Dual-channel
E-STOP <b>without</b> detection of shorts across contacts		
E-STOP <b>with</b> detection of shorts across contacts		
Safety gate <b>without</b> detection of shorts across contacts		
Safety gate <b>with</b> detection of shorts across contacts		
Light guard or safety switch, detection of shorts across contacts via ESPE		

The E-STOP pushbutton and safety gate switch symbolise a trigger element with N/C / N/C combination.

### Start circuit

Start circuit	Automatic start	Monitored start
Safety gate without start-up test E-STOP wiring		
Safety gate with start-up test		



#### NOTICE

**With a delayed safety output 24, operation of the start button is saved.**

If the safety function is cancelled while the delay time is running (e.g. safety gate closed) and the start button is operated, then the unit will be active immediately once the delay time has elapsed.



#### NOTICE

**With automatic start**

The unit starts up automatically when the safeguard is reset, e.g. when the E-STOP pushbutton is released. Use external circuit measures to prevent an unexpected restart.

### Feedback loop

Terminals Y6 and Y7 are used to connect the feedback loops and also to define the delay time of safety output 24.

#### Connect feedback loop:

The unit has two feedback loop inputs, one (Y6) for safety output 14 and one (Y7) for safety output 24:

- ▶ Safety output 14 (instantaneous):  
Connect the contacts from external contactors to terminal Y6.
- ▶ Safety output 24 (delayed):  
Connect the contacts from external contactors to terminal Y7.
- ▶ Both safety outputs instantaneous or both safety outputs delayed:  
Connect the contacts from both external contactors in series to terminal Y6 or Y7.
- ▶ Feedback loop unconnected:  
If you do not wish to connect any contacts to the feedback loop, Y6 and Y7 must be connected to A1 or S11/S21, depending on the required delay time.



**CAUTION!**

Do **not** connect the contacts from external contactors in series to the start circuit.

**Set delay time:**

Set the delay time  $t_v$  by connecting Y6 and Y7 to terminals A1, S11 and S21 in accordance with the table.

Y6	A1	A1	A1	S11	S11	S11	S21	S21	S21
Y7	A1	S11	S21	A1	S11	S21	A1	S11	S21
$t_v$ [s]	0	0.15	0.5	1	2	3	5	7	10

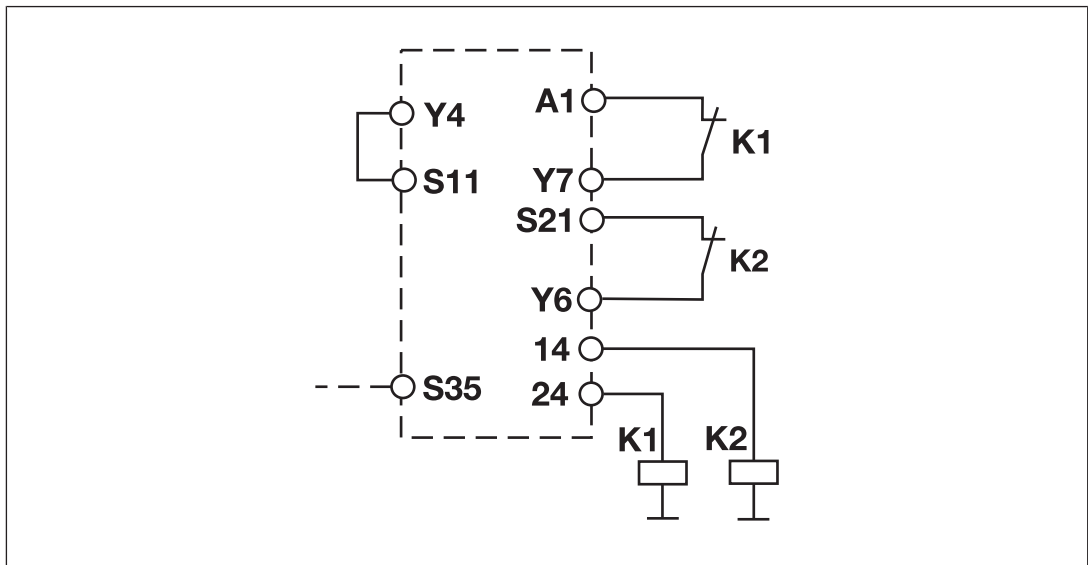
If you wish to set a delay time of 1 s, connect Y6 to S11 and Y7 to A1.

**Examples**

► Example 1:

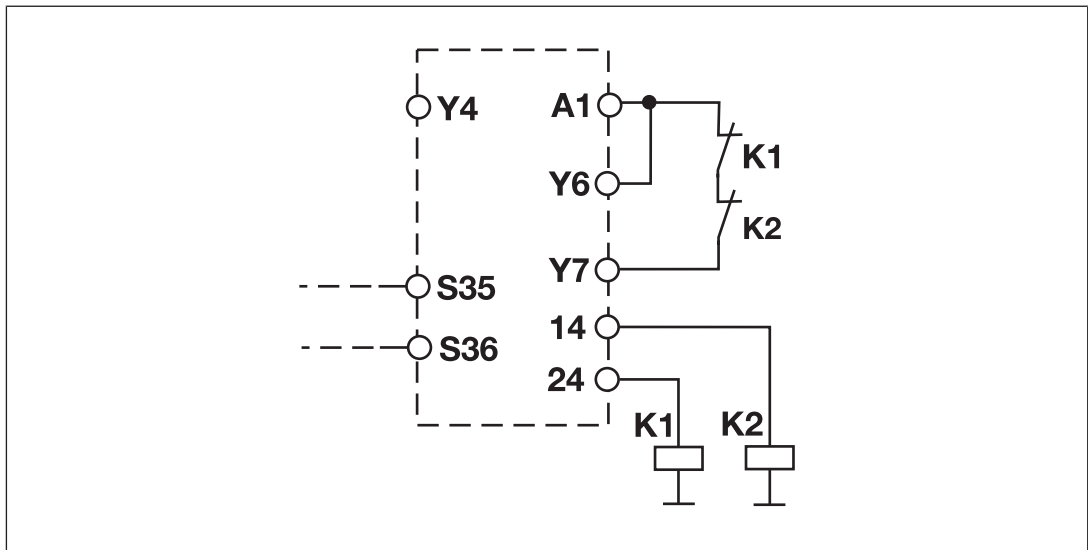
Output 24, delayed:  $t_v = 5$  s

Feedback loop is connected to Y7 or Y6. Only a logic OR connection is possible with this wiring at Y4.



► Example 2:


Both outputs are instantaneous, the feedback loop is connected to Y7. This wiring enables a logic AND plus an OR connection, as Y4 has not been connected.



### Logic connection between several units

Units from the PNOZelog product range can be logically connected to each other and to units from the PNOZmulti product range. On the PNOZelog, input S35 is intended for the logic OR connection and input S36 for the logic AND connection. Safety outputs 14 and 24 on the PNOZelog are suitable for logic connections.

#### When linking several units logically, please note:

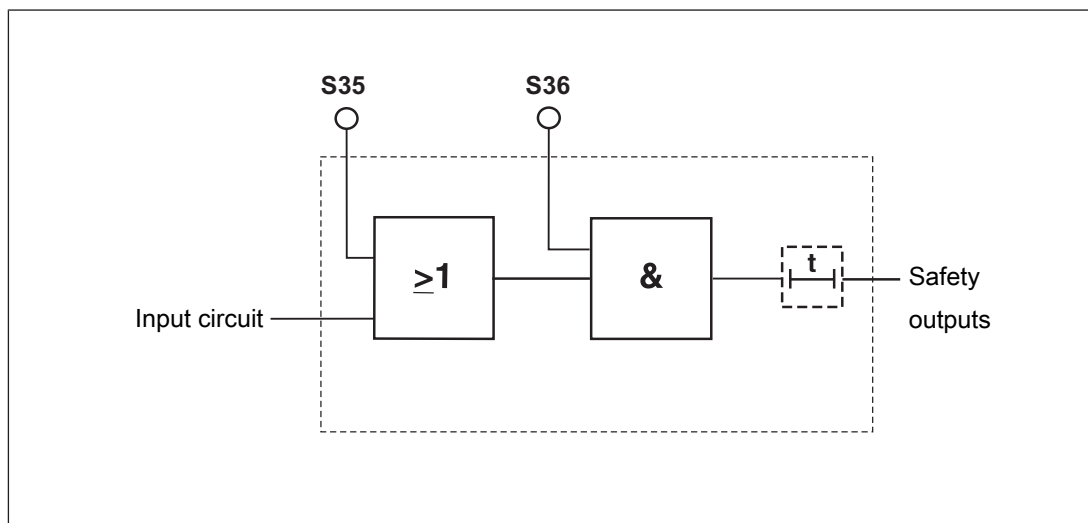
- When PNOZelog units are linked logically to each other, a safety output from a PNOZelog unit may be connected to logic inputs from one or more PNOZelog units.
- When linking PNOZelog units logically to PNOZmulti units
  - a cascading output from PNOZmulti units may be connected to logic inputs on PNOZelog units
  - or
  - a safety output from PNOZelog units may be connected to cascading inputs on PNOZmulti units.
- The unit with the lowest SIL/PL value determines the SIL/PL value of the entire circuit.
- PNOZ e1p, PNOZ e8.1p: These units do not have logic inputs. Their safety outputs can be used to logically link the units to the logic inputs of other PNOZelog units or to the cascading inputs from PNOZmulti units.
- Safety outputs from the PNOZ e1p are suitable for logic connections from unit version 3.0.
- Each safety output on a PNOZelog unit that is connected to the load may also be connected to the logic inputs of a maximum of four PNOZelog units ([Example 1](#) [ 19]).
- Up to 50 logic inputs from PNOZelog units can be connected to safety outputs with no load.



- ▶ Logically linking the units leads to delays when switching on and off (see on-delay and response time in the [Technical details](#) [28]). These are added up with each unit that is logically linked ([Example 3](#) [21]).
- ▶ Install all the logically linked units in the same control cabinet or ensure that faults regarding the units' connection are excluded, e.g. via protected installation of the connection cables.
- ▶ All linked units must be connected to the same supply voltage.

### Logic input S35 and S36

The logic inputs are connected to each other as follows:



Logic inputs S35 and S36 from the PNOZ e6vp enable additional PNOZelog or PNOZmulti units to be logically AND/OR connected.

Input circuit	Logic AND + OR connection	Logic AND connection	Logic OR connection
<b>without</b> detection of shorts across contacts			
<b>with</b> detection of shorts across contacts			
Safety output 14 delayed	/		

\*1 Where units are linked logically, Y4 must be wired as shown here (differs from the portrayal on the input circuit).

### Examples



#### WARNING!

#### Muting the safety function

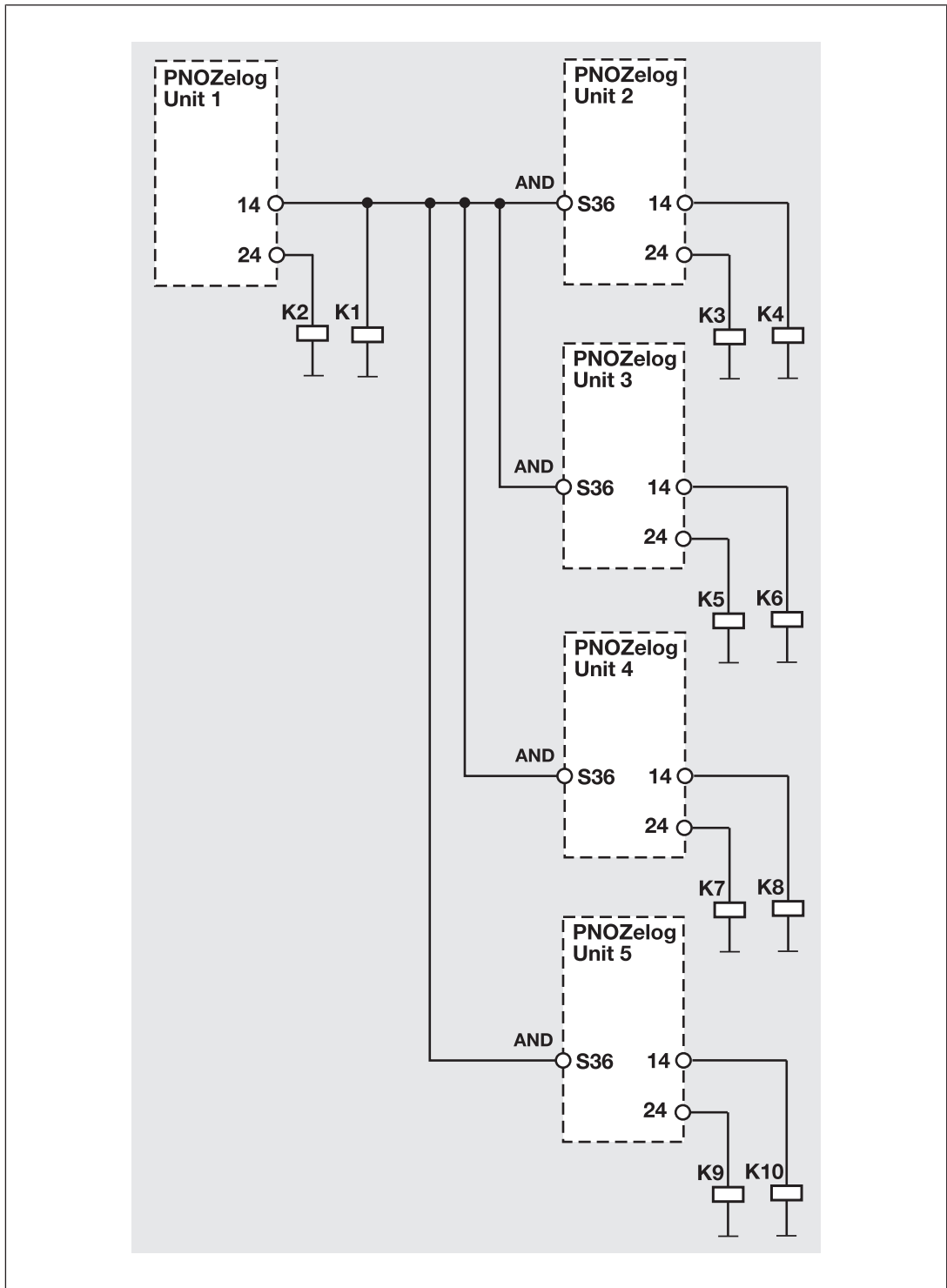
A valid signal at the OR input of a PNOZelog unit mutes its safety function and can lead to the most serious injuries and death.

- Before using the OR function, carry out a risk analysis and use other measures to establish a safe condition.

The following examples represent various ways in which PNOZelog units can be logically connected. In all the application examples, 2 loads may also be connected to the safety outputs.

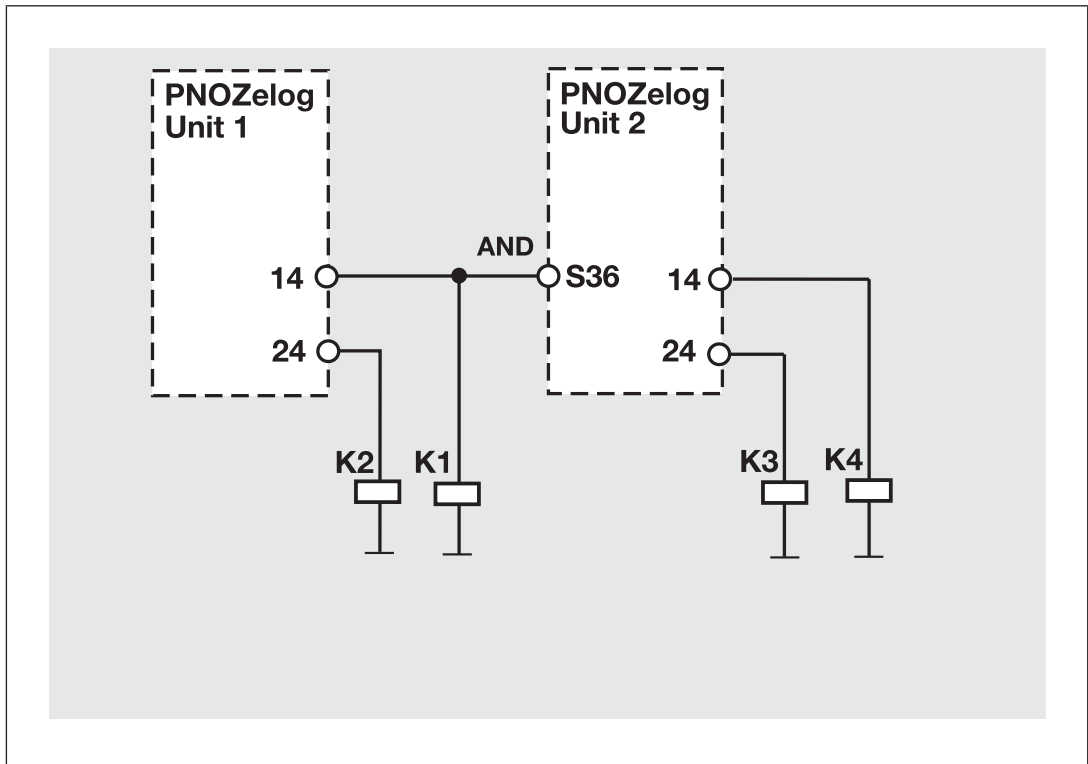
► Example 1:

Loads are connected to the safety outputs of Unit 1. In addition, a safety output is AND-linked to 4 other PNOZelog units via the logic input S36.



► Example 2:

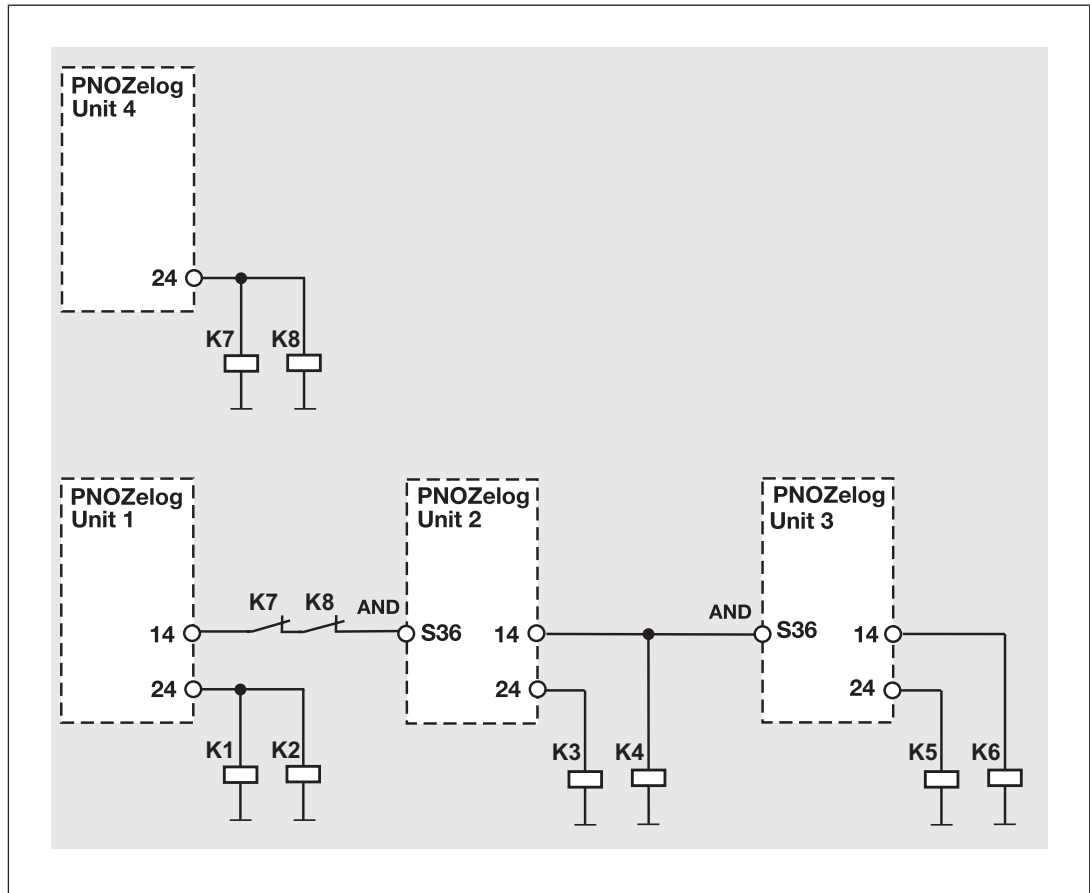
Loads are connected to the safety outputs of Unit 1. In addition, a safety output is AND-linked to another PNOZelog unit via the logic input S36.



► Example 3

The logic connection line between Unit 1 and Unit 2 contains contacts from the external contactors on Unit 4. This means that Unit 4 and Unit 1 can set the outputs on Unit 2 and Unit 3 to low.

A short circuit between +24 VDC and a safety output must be excluded!



## Operation



### NOTICE

The safety function should be checked after initial commissioning and each time the plant/machine is changed. The safety functions may only be checked by qualified personnel.



### INFORMATION

The safety outputs are constantly checked via test pulses. This may generate a humming noise on the connected contactors, which does not affect the function. The test pulses also mean that, when measured with a multi-meter, the voltage at the safety outputs is displayed to be less than it actually is.

The unit detects the set operating mode once supply voltage is applied. During this time (initialisation phase) the "POWER" LED will flash. The unit is ready for operation when the "POWER" LED is lit continuously.

LEDs indicate the status and errors during operation:



LED on



LED flashes

### Status indicators



#### POWER

Supply voltage is present, operating mode is detected.



#### POWER

Initialisation phase



#### CH.1

There is a high signal at safety output 14 and safety contacts 33-34, 43-44, 53-54 and 63-64 are closed.



#### CH.2

There is a high signal at safety output 24.

## Faults – Interference



### INFORMATION

#### Delay time

The delay time can be reduced in the event of a fault.



### INFORMATION

Supply interruptions lasting longer than 20 ms are detected as an error. The LEDs indicate an error and the safety outputs carry a low signal. The plant or machinery driven via the safety outputs will be shut down. The unit can only be restarted when the supply voltage is switched off for at least 1 s and then switched on again.

## Fault

Fault conditions are indicated by flashing the LEDs. There are faults that are displayed via periodic flashing (see table "Display of fault conditions") and faults where an error code can be determined via the number of flashes (see table "Relationship between the number of flashes and the decimal error code"). These faults are always indicated by three short flashes at LED CH.1 or CH.2. After a longer pause, the LED will then flash at one second intervals. The number of LED flashes corresponds to a digit in the error code. The error code can consist of up to 4 digits. The digits are separated by a longer period without flashing. The entire sequence is constantly repeated.



### INFORMATION

Error code 0: 16 flashes

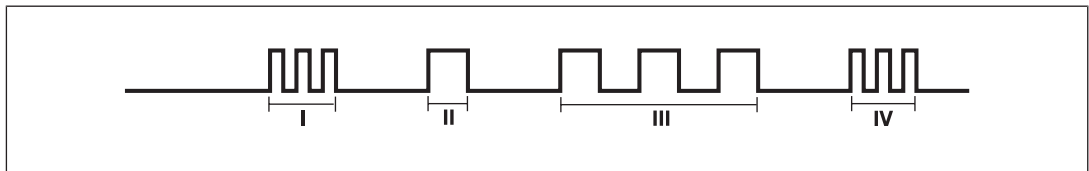
**Display of fault conditions**

LED	Fault	Remedy
LEDs unlit	Supply voltage is missing, too low, wrongly connected	Connect supply voltage: A1 - +24 VDC and A2 - 0 VDC Permitted voltage range: 19.2 ... 30 VDC
POWER flashes	Unknown operating mode, initialisation phase, start not executed	Depending on operating mode: Press start button or perform start-up test
CH.1 or CH.2 flash a code	Error coding, see table "Error code [📖 26]"	See table "Error code [📖 26]"
CH.1 and CH.2 flash alternately	1.) Feedback loop open on start-up 2.) Only one channel of the input circuit is open or is partially operated	1.) Close feedback loop, open input circuit, start unit again 2.) Open both input circuit channels or activate and then clear the safety mat

**Examples**

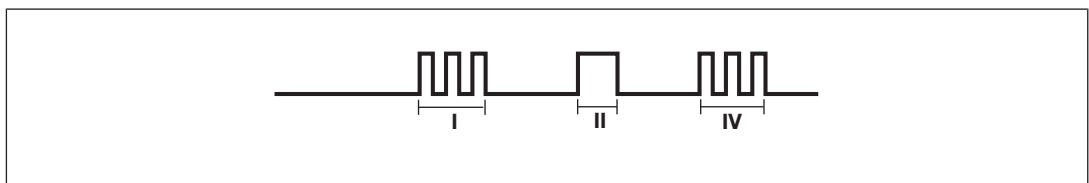
Error code 1, 3:  
LED CH.1 or CH.2 flashes

- ▶ 3 times, short
- ▶ Pause
- ▶ Once for one second
- ▶ Pause
- ▶ 3 times, for one second each



Error code 1:  
LED CH.1 or CH.2 flashes

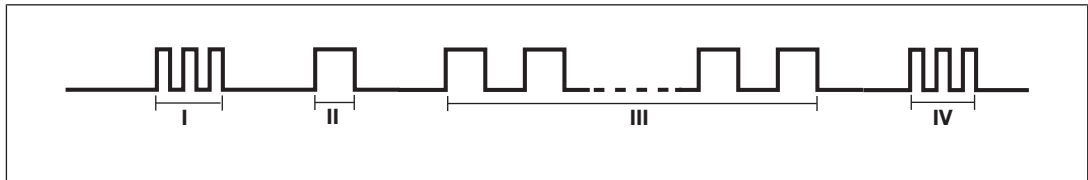
- ▶ 3 times, short
- ▶ Pause
- ▶ Once for one second





Error code 1, 0:  
LED CH.1 or CH.2 flashes

- ▶ 3 times, short
- ▶ Pause
- ▶ Once for one second
- ▶ Pause
- ▶ 16 times, for one second each



- I Code for error message
- II Code for 1st digit
- III Code for 2nd digit
- IV Code for error message repeated

The table below shows the relationship between the number of flashes and the error code. The key to the error codes is described in the Error coding table.

Number of flashes	1	2	3	4	5	6	7	8	9	10	11	12	13	14	15	16
Decimal error code	1	2	3	4	5	6	7	8	9	10	11	12	13	14	15	0

## Error coding

**INFORMATION**

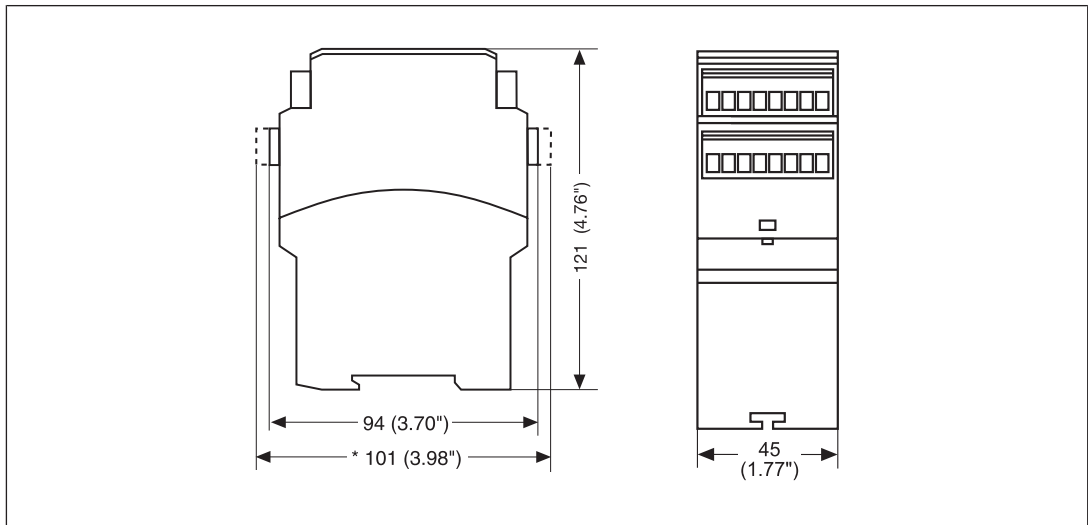
Each time a fault is rectified, switch the supply voltage off for at least 1 s and then switch it back on.

Decimal error code	Number of flashes	Description	Remedy
1	3x short – 1x long – 3x short	Faulty wiring, short circuit	Wiring error at start input, input circuits, feedback loop or programming input
2	3x short – 2x long – 3x short		
3	3x short – 3x long – 3x short		
4	3x short – 4x long – 3x short	In the initialisation phase, short circuit between the safety outputs and +24 VDC	Rectify wiring error at terminals 14, 24
...	...		
9	3x short – 9x long – 3x short		
10	3x short – 10x long – 3x short		
...	...	During operation, short circuit between the safety outputs and +24 VDC	Rectify wiring error at terminals 14, 24
1, 0	3x short – 1x long – 16x long – 3x short		
1, 1	3x short – 1x long – 1x long – 3x short		
1, 9	3x short – 1x long – 9x long – 3x short		
10.1	3x short – 10x long – 1x long – 3x short		
14.5	3x short – 14x long – 5x long – 3x short		
1, 2	3x short – 1x long – 2x long – 3x short		
1, 3	3x short – 1x long – 3x long – 3x short		
1, 12	3x short – 1x long – 12x long – 3x short		
1, 13	3x short – 1x long – 13x long – 3x short		
1, 4	3x short – 1x long – 4x long – 3x short	Operating mode changed during operation	Check wiring for the operating mode and rectify fault

Decimal error code	Number of flashes	Description	Remedy
1, 5	3x short – 1x long – 5x long – 3x short	Unexpected status at S36	Check wiring at terminal S36
1, 6 1, 7	3x short – 1x long – 6x long – 3x short 3x short – 1x long – 7x long – 3x short	Wiring of operating mode “with detection of shorts across contacts” faulty	Rectify wiring error at input circuits
1, 8 1, 11	3x short – 1x long – 8x long – 3x short 3x short – 1x long – 11x long – 3x short	1. Maximum time of feedback loop monitoring exceeded 2. PNOZ e6.1p, PNOZ e6vp: External feedback loop closed, but internal feedback loop faulty	1. Check contactor for contact welding 2. No user remedy possible. Change the unit.
1, 10	3x short – 1x long – 10x long – 3x short	Open circuit	Check safety mat wiring
5, 10	3x short – 5x long – 10x long – 3x short	$U_B < 19.2$ VDC	Keep within the supply voltage range of 19.2 ... 30 VDC
8, 1	3x short – 8x long – 1x long – 3x short	Invalid operating mode	Check wiring for the operating mode and rectify fault
8, 2 8, 3 14, 13	3x short – 8x long – 2x long – 3x short 3x short – 8x long – 3x long – 3x short 3x short – 14x long – 13x long – 3x short	Supply interrupted, possibly caused by a short to earth	Rectify wiring error at terminal A1 or check supply voltage
2, 0, 0 2, 0, 1	3x short – 2x long – 16x long – 16x long – 3x short 3x short – 2x long – 16x long – 1x long – 3x short	$U_B < 19.2$ VDC	Keep within the supply voltage range of 19.2 ... 30 VDC
2, 0, 2	3x short – 2x long – 16x long – 2x long – 3x short	In the initialisation phase, short circuit between the safety outputs and +24 VDC	Rectify wiring error at terminals 14, 24
2, 0, 3	3x short – 2x long – 16x long – 3x long – 3x short	$U_B < 19.2$ VDC	Keep within the supply voltage range of 19.2 ... 30 VDC

### Dimensions in mm

\* With spring-loaded terminals



### Technical details

General	774193	784193
Certifications	CCC, CE, EAC, TÜV, UKCA, cULus Listed	CCC, CE, EAC, KOSHA, TÜV, UKCA, cULus Listed
Electrical data	774193	784193
Supply voltage		
Voltage	24 V	24 V
Kind	DC	DC
Voltage tolerance	-20 %/+25 %	-20 %/+25 %
Output of external power supply (DC) at no load	4,5 W	4,5 W
Residual ripple DC	20 %	20 %
Duty cycle	100 %	100 %
External unit fuse protection F1 max.	6 A slow/10 A quick	6 A slow/10 A quick
Inputs	774193	784193
Voltage at		
Input circuit DC	24 V	24 V
Start circuit DC	24 V	24 V
Feedback loop DC	24 V	24 V
Logic input	24 V	24 V
Current at		
Input circuit DC	5 mA	5 mA
Start circuit DC	5 mA	5 mA
Feedback loop DC	5 mA	5 mA
Logic input	5 mA	5 mA
Min. input resistance at power-on	3.780 Ohm	3.780 Ohm

<b>Inputs</b>	<b>774193</b>	<b>784193</b>
Max. overall cable resistance Rl-max		
Start circuit and feedback loop	<b>1.000 Ohm</b>	<b>1.000 Ohm</b>
Input circuit, single-channel	<b>1.000 Ohm</b>	<b>1.000 Ohm</b>
Input circuit, dual-channel	<b>2.000 Ohm</b>	<b>2.000 Ohm</b>
Max. line capacitance	<b>450 nF</b>	<b>450 nF</b>
<b>Semiconductor outputs</b>	<b>774193</b>	<b>784193</b>
Overall performance ext. loading, semiconductor	<b>130 W</b>	<b>130 W</b>
Number of safety outputs		
Delayed	<b>1</b>	<b>1</b>
Instantaneous	<b>1</b>	<b>1</b>
Number of auxiliary outputs	<b>1</b>	<b>1</b>
Number of test pulse outputs	<b>2</b>	<b>2</b>
Residual current at "0" signal	<b>4 mA</b>	<b>4 mA</b>
Max. internal voltage drop	<b>1 V</b>	<b>1 V</b>
Switching capability, 2 safety outputs under load		
Current at UB ≤ 26.5 V	<b>2 A</b>	<b>2 A</b>
Current at UB > 26,5 V	<b>1,5 A</b>	<b>1,5 A</b>
Power at UB ≤ 26.5 V	<b>50 W</b>	<b>50 W</b>
Power at UB > 26,5 V	<b>45 W</b>	<b>45 W</b>
Switching capability, 1 safety output under load		
Current at UB ≤ 26.5 V	<b>2,7 A</b>	<b>2,7 A</b>
Current at UB > 26,5 V	<b>2,2 A</b>	<b>2,2 A</b>
Power at UB ≤ 26.5 V	<b>70 W</b>	<b>70 W</b>
Power at UB > 26,5 V	<b>65 W</b>	<b>65 W</b>
Conditional rated short circuit current	<b>100 A</b>	<b>100 A</b>
Lowest operating current	<b>3 mA</b>	<b>3 mA</b>
Utilisation category in accordance with EN 60947-1	<b>DC-12</b>	<b>DC-12</b>
Max. line capacitance at the outputs without load	<b>2 nF</b>	<b>2 nF</b>
Voltage auxiliary and test pulse outputs	<b>24 V</b>	<b>24 V</b>
Current auxiliary and test pulse outputs	<b>0,5 A</b>	<b>0,5 A</b>
<b>Relay outputs</b>	<b>774193</b>	<b>784193</b>
Number of safety outputs	<b>4</b>	<b>4</b>
Max. short circuit current IK	<b>1 kA</b>	<b>1 kA</b>
Utilisation category		
In accordance with the standard	<b>EN 60947-4-1</b>	<b>EN 60947-4-1</b>

<b>Relay outputs</b>	<b>774193</b>	<b>784193</b>
Utilisation category of safety contacts		
AC1 at	<b>240 V</b>	<b>240 V</b>
Min. current	<b>0,01 A</b>	<b>0,01 A</b>
Max. current	<b>6 A</b>	<b>6 A</b>
Max. power	<b>1500 VA</b>	<b>1500 VA</b>
DC1 at	<b>24 V</b>	<b>24 V</b>
Min. current	<b>0,01 A</b>	<b>0,01 A</b>
Max. current	<b>6 A</b>	<b>6 A</b>
Max. power	<b>150 W</b>	<b>150 W</b>
Utilisation category		
In accordance with the standard	<b>EN 60947-5-1</b>	<b>EN 60947-5-1</b>
Utilisation category of safety contacts		
AC15 at	<b>230 V</b>	<b>230 V</b>
Max. current	<b>3 A</b>	<b>3 A</b>
DC13 (6 cycles/min) at	<b>24 V</b>	<b>24 V</b>
Max. current	<b>4 A</b>	<b>4 A</b>
Utilisation category in accordance with UL		
Voltage	<b>250 V AC G.U. (same polarity)</b>	<b>250 V AC G.U. (same polarity)</b>
With current	<b>6 A</b>	<b>6 A</b>
Voltage	<b>24 V DC G. U.</b>	<b>24 V DC G. U.</b>
With current	<b>6 A</b>	<b>6 A</b>
Pilot Duty	<b>B300, R300</b>	<b>B300, R300</b>
External contact fuse protection, safety contacts		
In accordance with the standard	<b>EN 60947-5-1</b>	<b>EN 60947-5-1</b>
Max. melting integral	<b>66 A<sup>2</sup>s</b>	<b>66 A<sup>2</sup>s</b>
Blow-out fuse, quick	<b>6 A</b>	<b>6 A</b>
Blow-out fuse, slow	<b>4 A</b>	<b>4 A</b>
Blow-out fuse, gG	<b>6 A</b>	<b>6 A</b>
Circuit breaker 24V AC/DC, characteristic B/C	<b>4 A</b>	<b>4 A</b>
Contact material	<b>AgCuNi + 0,2 µm Au</b>	<b>AgCuNi + 0,2 µm Au</b>
<b>Conventional thermal current while loading several contacts</b>	<b>774193</b>	<b>784193</b>
I <sub>th</sub> per contact at UB DC; AC1: 240 V, DC1: 24 V		
Conv. therm. current with 1 contact	<b>6 A</b>	<b>6 A</b>
Conv. therm. current with 2 contacts	<b>6 A</b>	<b>6 A</b>
Conv. therm. current with 3 contacts	<b>4,5 A</b>	<b>4,5 A</b>
Conv. therm. current with 4 contacts	<b>3,5 A</b>	<b>3,5 A</b>

<b>Times</b>	<b>774193</b>	<b>784193</b>
Switch-on delay		
After power on	<b>3 s</b>	<b>3 s</b>
Switch-on delay semiconductor outputs		
With automatic start typ.	<b>100 ms</b>	<b>100 ms</b>
With automatic start max.	<b>180 ms</b>	<b>180 ms</b>
With monitored start typ.	<b>180 ms</b>	<b>180 ms</b>
With monitored start max.	<b>260 ms</b>	<b>260 ms</b>
Logic inputs typ.	<b>120 ms</b>	<b>120 ms</b>
Logic inputs max.	<b>200 ms</b>	<b>200 ms</b>
Switch-on delay safety contacts		
With automatic start typ.	<b>115 ms</b>	<b>115 ms</b>
With automatic start max.	<b>200 ms</b>	<b>200 ms</b>
With monitored start typ.	<b>195 ms</b>	<b>195 ms</b>
With monitored start max.	<b>280 ms</b>	<b>280 ms</b>
Logic inputs typ.	<b>135 ms</b>	<b>135 ms</b>
Logic inputs max.	<b>220 ms</b>	<b>220 ms</b>
Delay-on de-energisation safety contacts		
With E-STOP typ.	<b>45 ms</b>	<b>45 ms</b>
With E-STOP max.	<b>55 ms</b>	<b>55 ms</b>
With power failure typ.	<b>45 ms</b>	<b>45 ms</b>
With power failure max.	<b>55 ms</b>	<b>55 ms</b>
Logic inputs typ.	<b>50 ms</b>	<b>50 ms</b>
Logic inputs max.	<b>60 ms</b>	<b>60 ms</b>
Response time $t_r$ semiconductor outputs		
typ.	<b>40 ms</b>	<b>40 ms</b>
max.	<b>43 ms</b>	<b>43 ms</b>
Maximum time of feedback loop monitoring	<b>150 ms</b>	<b>150 ms</b>
Delay time $t_v$	<b>0,00 s, 0,15 s, 0,5 s, 1 s, 2 s, 3 s, 5 s, 7 s, 10 s</b>	<b>0,00 s, 0,15 s, 0,5 s, 1 s, 2 s, 3 s, 5 s, 7 s, 10 s</b>
Time accuracy	<b>+/-10 % + 40 ms</b>	<b>+/-10 % + 40 ms</b>
Repetition accuracy	<b>3 %</b>	<b>3 %</b>
Supply interruption before de-energisation	<b>20 ms</b>	<b>20 ms</b>
Simultaneity, channel 1 and 2 max.	$\infty$	$\infty$
<b>Environmental data</b>	<b>774193</b>	<b>784193</b>
Climatic suitability	<b>EN 60068-2-78</b>	<b>EN 60068-2-78</b>
Ambient temperature		
Temperature range	<b>-10 - 55 °C</b>	<b>-10 - 55 °C</b>
Storage temperature		
Temperature range	<b>-25 - 70 °C</b>	<b>-25 - 70 °C</b>
Climatic suitability		
Humidity	<b>93 % r. h. at 40 °C</b>	<b>93 % r. h. at 40 °C</b>


<b>Environmental data</b>	<b>774193</b>	<b>784193</b>
Condensation during operation	<b>Not permitted</b>	<b>Not permitted</b>
EMC	<b>EN 60947-5-1, EN 61000-6-2, EN 61000-6-4, EN 61326-3-1</b>	<b>EN 60947-5-1, EN 61000-6-2, EN 61000-6-4, EN 61326-3-1</b>
Vibration		
In accordance with the standard	<b>EN 60068-2-6</b>	<b>EN 60068-2-6</b>
Frequency	<b>10 - 55 Hz</b>	<b>10 - 55 Hz</b>
Amplitude	<b>0,35 mm</b>	<b>0,35 mm</b>
Airgap creepage		
In accordance with the standard	<b>EN 60947-1</b>	<b>EN 60947-1</b>
Overvoltage category	<b>III</b>	<b>III</b>
Pollution degree	<b>2</b>	<b>2</b>
Rated insulation voltage	<b>250 V</b>	<b>250 V</b>
Rated impulse withstand voltage	<b>6 kV</b>	<b>6 kV</b>
Protection type		
Housing	<b>IP40</b>	<b>IP40</b>
Terminals	<b>IP20</b>	<b>IP20</b>
Mounting area (e.g. control cabinet)	<b>IP54</b>	<b>IP54</b>
<b>Mechanical data</b>	<b>774193</b>	<b>784193</b>
Mounting position	<b>Any</b>	<b>Any</b>
Mechanical life	<b>10,000,000 cycles</b>	<b>10,000,000 cycles</b>
Material		
Bottom	<b>PPO UL 94 V0</b>	<b>PPO UL 94 V0</b>
Front	<b>ABS UL 94 V0</b>	<b>ABS UL 94 V0</b>
Top	<b>PPO UL 94 V0</b>	<b>PPO UL 94 V0</b>
Connection type	<b>Screw terminal</b>	<b>Spring-loaded terminal</b>
Mounting type	<b>plug-in</b>	<b>plug-in</b>
Conductor cross section with screw terminals		
1 core flexible	<b>0,25 - 2,5 mm<sup>2</sup>, 24 - 12 AWG</b>	–
2 core with the same cross section, flexible with crimp connectors, no plastic sleeve	<b>0,25 - 1 mm<sup>2</sup>, 24 - 16 AWG</b>	–
2 core with the same cross section, flexible without crimp connectors or with TWIN crimp connectors	<b>0,2 - 1,5 mm<sup>2</sup>, 24 - 16 AWG</b>	–
Torque setting with screw terminals	<b>0,5 Nm</b>	–
Stripping length with screw terminals	<b>8 mm</b>	–
Conductor cross section with spring-loaded terminals: Flexible with/without crimp connector	–	<b>0,2 - 1,5 mm<sup>2</sup>, 24 - 16 AWG</b>
Spring-loaded terminals: Terminal points per connection	–	<b>2</b>
Stripping length with spring-loaded terminals	–	<b>8 mm</b>



Mechanical data	774193	784193
Dimensions		
Height	94 mm	101 mm
Width	45 mm	45 mm
Depth	121 mm	121 mm
Weight	280 g	280 g

Where standards are updated, the 2020-07 latest editions shall apply.

**Safety characteristic data**



**NOTICE**  
 You must comply with the safety characteristic data in order to achieve the required safety level for your plant/machine.

Operating mode	EN ISO 13849-1: 2015 PL	EN ISO 13849-1: 2015 Category	EN 62061 SIL CL	EN 62061 PFH <sub>D</sub> [1/h]	IEC 61511 SIL	IEC 61511 PFD	EN ISO 13849-1: 2015 T <sub>M</sub> [year]
SC output via logic input	PL e	Cat. 4	SIL CL 3	3,61E-09	SIL 3	5,82E-05	20
Relay output via logic input	PL e	Cat. 4	SIL CL 3	5,92E-09	SIL 3	6,02E-05	20
SC output via 2-ch. input circuit	PL e	Cat. 4	SIL CL 3	3,44E-09	SIL 3	4,53E-05	20
Relay output via 2-ch. input circuit	PL e	Cat. 4	SIL CL 3	5,75E-09	SIL 3	4,73E-05	20

Explanatory notes for the safety-related characteristic data:

- ▶ The SIL CL value in accordance with EN 62061 corresponds to the SIL value in accordance with EN 61508.
- ▶ T<sub>M</sub> is the maximum mission time in accordance with EN ISO 13849-1. The value also applies as the retest interval in accordance with EN 61508-6 and IEC 61511 and as the proof test interval and mission time in accordance with EN 62061.

All the units used within a safety function must be considered when calculating the safety characteristic data.



**INFORMATION**

A safety function's SIL/PL values are **not** identical to the SIL/PL values of the units that are used and may be different. We recommend that you use the PAScal software tool to calculate the safety function's SIL/PL values.

**Supplementary data**



**CAUTION!**

It is essential to consider the relay's service life graphs. The relay outputs' safety-related characteristic data is only valid if the values in the service life graphs are met.

The PFH value depends on the switch frequency and the load of the relay output. If the service life graphs are not accessible, the stated PFH value can be used irrespective of the switch frequency and the load, as the PFH value already considers the relay's B10d value as well as the failure rates of the other components.

**Service life graph**

The service life graphs indicate the number of cycles from which failures due to wear must be expected. The wear is mainly caused by the electrical load; the mechanical load is negligible.

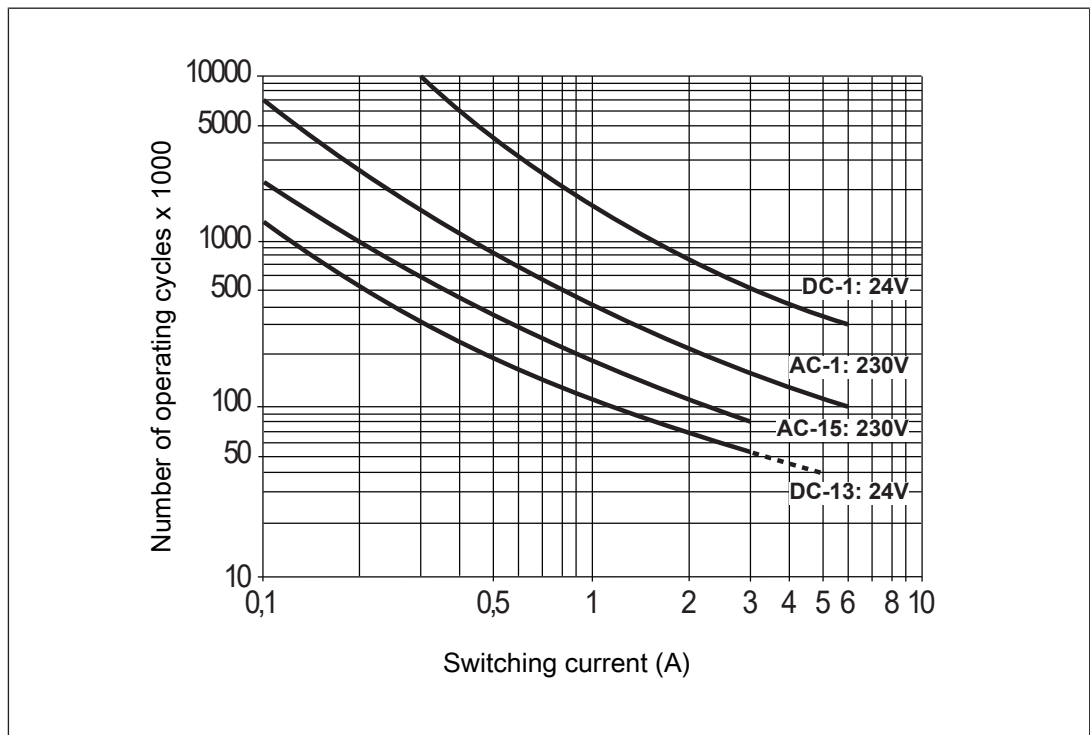


Fig.: Service life graphs at 24 VDC and 230 VAC

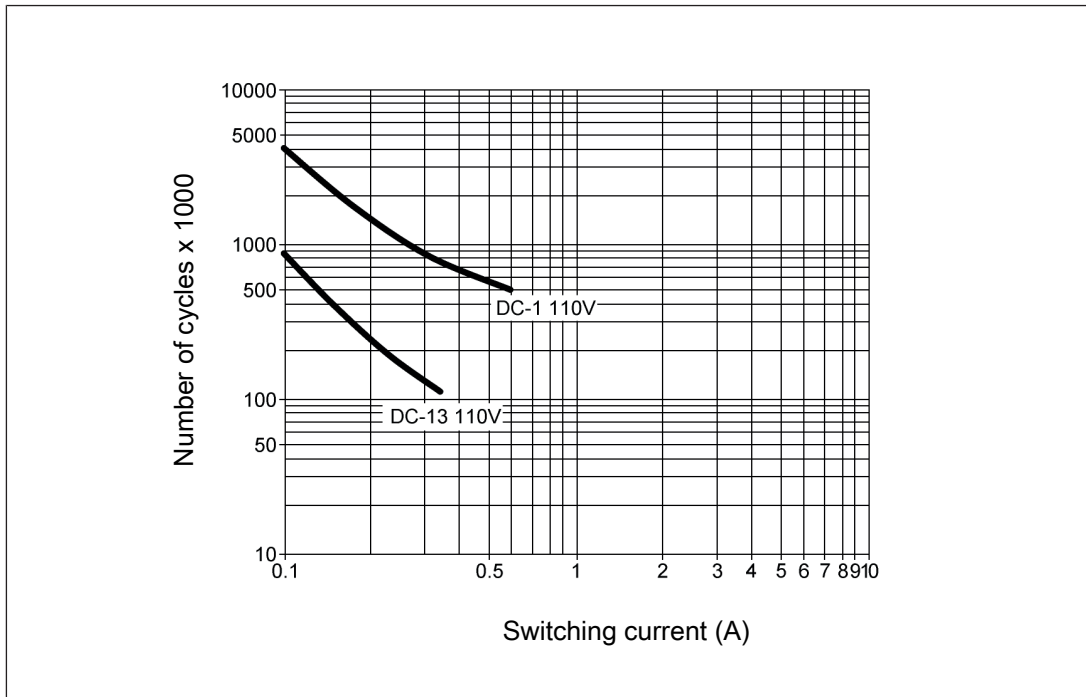


Fig.: Service life graphs at 110 VDC

### Example

- ▶ Inductive load: 0.2 A
- ▶ Utilisation category: AC15
- ▶ Contact service life: 1 000 000 cycles

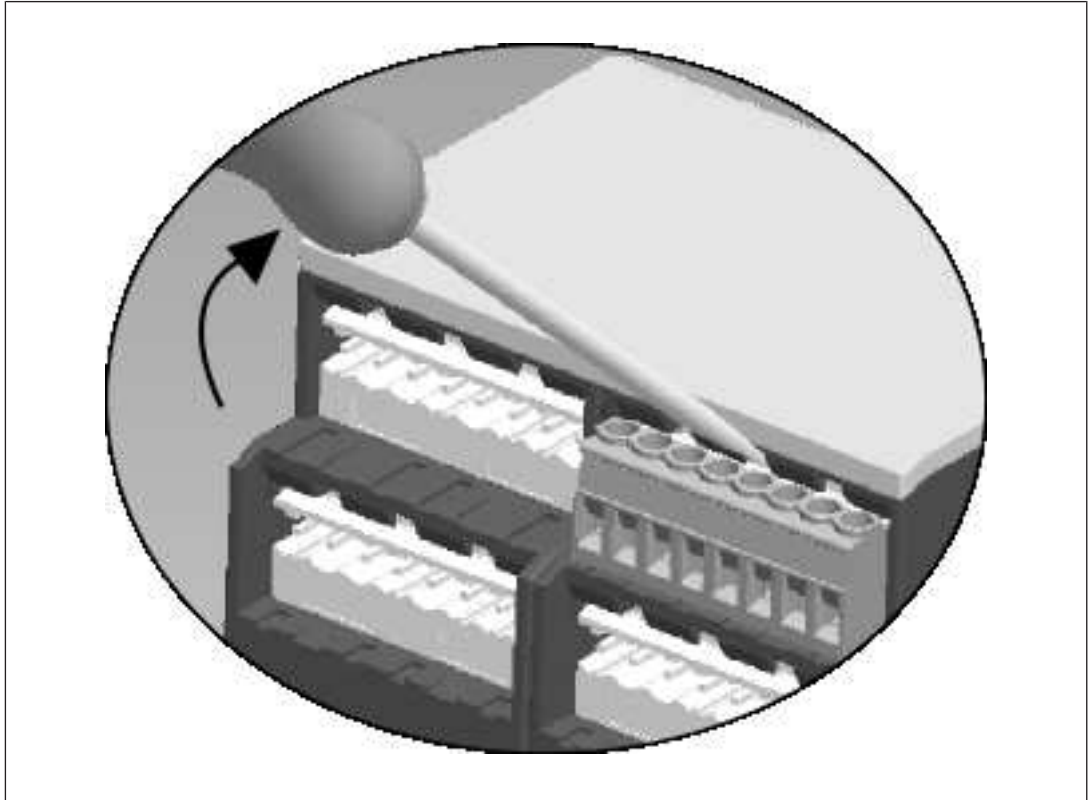
Provided the application to be implemented requires fewer than 1 000 000 cycles, the PFH value (see [Technical details \[28\]](#)) can be used in the calculation.

To increase the service life, sufficient spark suppression must be provided on all relay contacts. With capacitive loads, any power surges that occur must be noted. With DC contactors, use flywheel diodes for spark suppression.

## Remove plug-in terminals

Procedure: Insert the screwdriver into the housing recess behind the terminal and lever the terminal out.

Do **not** remove the terminals by pulling the cables!



## Order reference

### Product

Product type	Features	Connection type	Order no.
PNOZ e6vp	24 V DC	Screw terminals	774193
PNOZ e6vp C	24 V DC	Spring-loaded terminals	784193

### Accessories

Product type	Features	Order no.
Terminal block filter 1	Terminal block with filter for 3-10 kOhm load range	774195
Terminal block filter 2	Terminal block with filter for 10-30 kOhm load range	774196

### **EC declaration of conformity**

This product/these products meet the requirements of the directive 2006/42/EC for machinery of the European Parliament and of the Council. The complete EC Declaration of Conformity is available on the Internet at [www.pilz.com/downloads](http://www.pilz.com/downloads).

Authorised representative: Norbert Fröhlich, Pilz GmbH & Co. KG, Felix-Wankel-Str. 2, 73760 Ostfildern, Germany

### **UKCA-Declaration of Conformity**

This product(s) complies with following UK legislation: Supply of Machinery (Safety) Regulation 2008.

The complete UKCA Declaration of Conformity is available on the Internet at [www.pilz.com/support/downloads](http://www.pilz.com/support/downloads).

Representative: Pilz Automation Technology, Pilz House, Little Colliers Field, Corby, Northamptonshire, NN18 8TJ United Kingdom, eMail: [mail@pilz.co.uk](mailto:mail@pilz.co.uk)

# ► Support

Technical support is available from Pilz round the clock.

## Americas

### Brazil

+55 11 97569-2804

### Canada

+1 888 315 7459

### Mexico

+52 55 5572 1300

### USA (toll-free)

+1 877-PILZUSA (745-9872)

## Asia

### China

+86 21 60880878-216

### Japan

+81 45 471-2281

### South Korea

+82 31 778 3300

## Australia and Oceania

### Australia

+61 3 95600621

### New Zealand

+64 9 6345350

## Europe

### Austria

+43 1 7986263-0

### Belgium, Luxembourg

+32 9 3217570

### France

+33 3 88104003

### Germany

+49 711 3409-444

### Ireland

+353 21 4804983

### Italy, Malta

+39 0362 1826711

## Scandinavia

+45 74436332

## Spain

+34 938497433

## Switzerland

+41 62 88979-32

## The Netherlands

+31 347 320477

## Turkey

+90 216 5775552

## United Kingdom

+44 1536 462203

## You can reach our international hotline on:

+49 711 3409-222

support@pilz.com

Pilz develops environmentally-friendly products using ecological materials and energy-saving technologies. Offices and production facilities are ecologically designed, environmentally-aware and energy-saving. So Pilz offers sustainability, plus the security of using energy-efficient products and environmentally-friendly solutions.



We are represented internationally. Please refer to our homepage [www.pilz.com](http://www.pilz.com) for further details or contact our headquarters.

Headquarters: Pilz GmbH & Co. KG, Felix-Wankel-Straße 2, 73760 Ostfildern, Germany  
Telephone: +49 711 3409-0, Telefax: +49 711 3409-133, E-Mail: [info@pilz.com](mailto:info@pilz.com), Internet: [www.pilz.com](http://www.pilz.com)

**PILZ**  
THE SPIRIT OF SAFETY

CECE®, CHRE®, CMSE®, InduraNET p®, Leansafe®, Master of Safety®, Master of Security®, PAS4000®, PAScale®, PASconfig®, Pilz®, PTT®, PLID®, PMCPirimo®, PMCPiritego®, PMCTendo®, PMD®, PMJ®, PNOZ®, PRBM®, PRCM®, PRIMO®, PRM®, PSEN®, PSS®, PVS®, SafetyBUS p®, SafetyEYE®, SafetyNET p®, THE SPIRIT OF SAFETY® are registered and protected trademarks of Pilz GmbH & Co. KG in some countries. We would point out that product features may vary from the details stated in this document, depending on the status at the time of publication and the scope of the equipment. We accept no responsibility for the validity, accuracy and entirety of the text and graphics presented in this information. Please contact our Technical Support if you have any questions.

21166-EN-11, 2022-04 Printed in Germany  
© Pilz GmbH & Co. KG, 2019