

PNOZ m EF 2MM




Configurable control systems PNOZmulti 2

This document is a translation of the original document.

All rights to this documentation are reserved by Pilz GmbH & Co. KG. Copies may be made for internal purposes. Suggestions and comments for improving this documentation will be gratefully received.

Pilz®, PIT®, PMI®, PNOZ®, Primo®, PSEN®, PSS®, PVIS®, SafetyBUS p®, SafetyEYE®, SafetyNET p®, the spirit of safety® are registered and protected trademarks of Pilz GmbH & Co. KG in some countries.

 SD means Secure Digital

Section 1	Introduction	5
	1.1 Validity of documentation	5
	1.2 Using the documentation	5
	1.3 Definition of symbols	5
Section 2	Overview	7
	2.1 Scope of supply	7
	2.2 Unit features	7
	2.3 Front view	8
Section 3	Safety	9
	3.1 Intended use	9
	3.2 System requirements	9
	3.3 Safety regulations	10
	3.3.1 Safety assessment	10
	3.3.2 Use of qualified personnel	10
	3.3.3 Warranty and liability	10
	3.3.4 Disposal	10
	3.3.5 For your safety	10
Section 4	Function description	12
	4.1 Operation	12
	4.2 Block diagram	12
	4.3 Monitoring functions	12
	4.4 System reaction time	16
	4.5 Proximity switches	17
	4.6 Encoder	18
	4.6.1 Output signals	19
	4.6.2 Adapters for encoders	21
Section 5	Installation	22
	5.1 General installation guidelines	22
	5.2 Dimensions in mm	22
	5.3 Connect the base unit and expansion modules	22
Section 6	Commissioning	24
	6.1 Wiring	24
	6.2 Pin assignment of Mini-IO socket	24
	6.3 Connection of proximity switches	25
	6.4 Connection of an encoder	26
	6.4.1 Connect encoder	26
	6.4.2 Connect encoder with Z index	27
	6.4.3 Connect encoder via an adapter	27
	6.5 Connection of proximity switch and encoder	28
	6.6 EMC-compliant wiring	30
	6.7 Download modified project to the PNOZmulti system	32

Section 7	Operation	33
	7.1 Messages	33
Section 8	Technical details	34
	8.1 Safety characteristic data	36
Section 9	Supplementary data	37
	9.1 Categories	37
	9.1.1 Safety level	37
	9.1.2 Safety functions	37
	9.1.3 Safety-related characteristic data for operation with non-safety-related encoder without additional requirements	38
	9.1.3.1 Permitted sensor types and output signals	38
	9.1.3.2 Safety-related architecture	39
	9.1.3.3 Achievable safety level	39
	9.1.4 Safety-related characteristic data for operation with non-safety-related encoder with mechanical fault exclusion	39
	9.1.4.1 Permitted sensor types and output signals	39
	9.1.4.2 Safety-related architecture	40
	9.1.4.3 Achievable safety level	40
	9.1.5 Safety-related characteristic data for operation with non-safety-related encoder with diagnostics via the drive controller	40
	9.1.5.1 Permitted sensor types and output signals	40
	9.1.5.2 Requirements of the drive controller	41
	9.1.5.3 Safety-related architecture	41
	9.1.5.4 Achievable safety level	42
	9.1.6 Safety-related characteristic data for operation with a safe encoder	42
	9.1.6.1 Permitted sensor types and output signals	42
	9.1.6.2 Safety-related architecture	42
	9.1.6.3 Achievable safety level	43
	9.1.7 Safety-related characteristic data for operation with a safe encoder with Z index	43
	9.1.7.1 Permitted sensor types and output signals	43
	9.1.7.2 Safety-related architecture	43
	9.1.7.3 Achievable safety level	44
	9.1.8 Safety-related characteristic data for operation with non-safety-related encoder and proximity switch	44
	9.1.8.1 Permitted sensor types and output signals	44
	9.1.8.2 Safety-related architecture	45
	9.1.8.3 Achievable safety level	45
	9.1.9 Safety-related characteristic data for operation with 2 proximity switches	46
	9.1.9.1 Permitted sensor types and output signals	46
	9.1.9.2 Safety-related architecture	46
	9.1.9.3 Achievable safety level	47
Section 10	Order reference	48
	10.1 Product	48
	10.2 Accessories	48

1 Introduction

1.1 Validity of documentation

This documentation is valid for the product PNOZ m EF 2MM. It is valid until new documentation is published.

This operating manual explains the function and operation, describes the installation and provides guidelines on how to connect the product.

1.2 Using the documentation

This document is intended for instruction. Only install and commission the product if you have read and understood this document. The document should be retained for future reference.

1.3 Definition of symbols

Information that is particularly important is identified as follows:



DANGER!

This warning must be heeded! It warns of a hazardous situation that poses an immediate threat of serious injury and death and indicates preventive measures that can be taken.



WARNING!

This warning must be heeded! It warns of a hazardous situation that could lead to serious injury and death and indicates preventive measures that can be taken.



CAUTION!

This refers to a hazard that can lead to a less serious or minor injury plus material damage, and also provides information on preventive measures that can be taken.



NOTICE

This describes a situation in which the product or devices could be damaged and also provides information on preventive measures that can be taken. It also highlights areas within the text that are of particular importance.



INFORMATION

This gives advice on applications and provides information on special features.

2 Overview

2.1 Scope of supply

2.2 Unit features

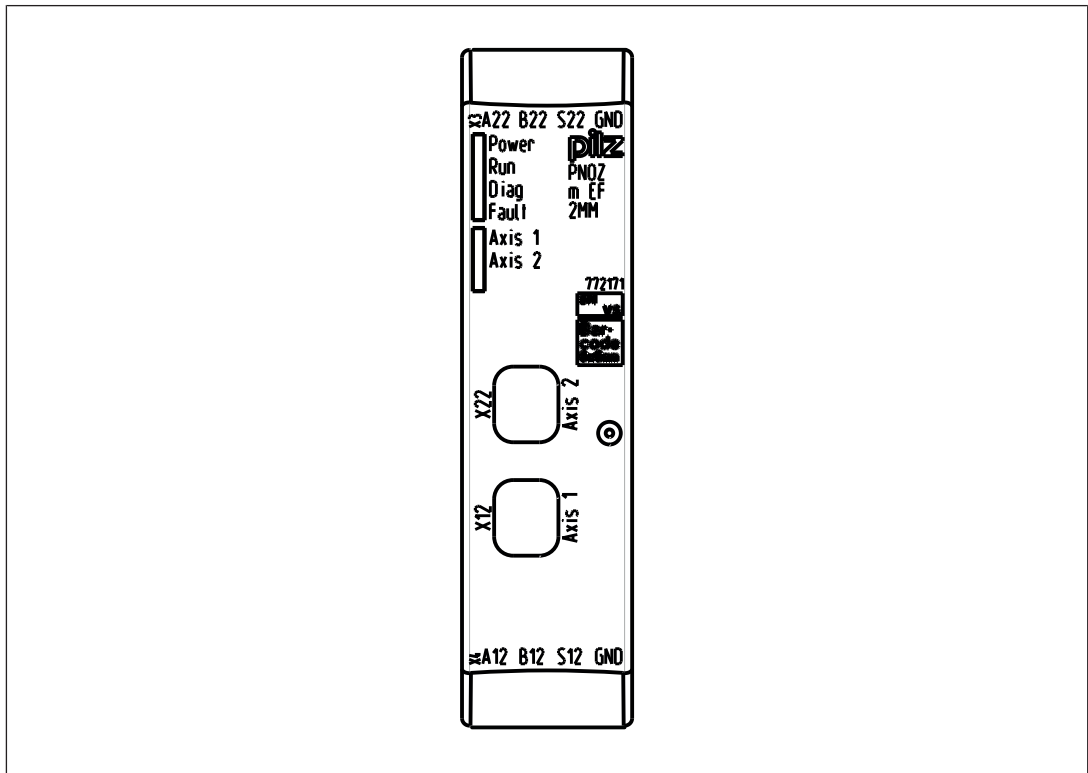
Using the product PNOZ m EF 2MM:

Expansion module for connection to a base unit from the configurable control system PNOZmulti 2 .

The product has the following features:

- ▶ Can be configured in the PNOZmulti Configurator
- ▶ Monitoring of 2 independent axes
- ▶ Measured value recorded by proximity switch and encoder
- ▶ Monitoring functions
 - Safe speed monitoring (SSM)
 - Safe speed range monitoring (SSR-M)
 - Safe direction of movement monitoring (SDI-M)
 - Safe operating stop monitoring (SOS-M)
 - Analogue voltage (track S)
- ▶ LED display for:
 - Supply voltage
 - Diagnostics
 - Axis status
 - Error
- ▶ Please refer to the document "PNOZmulti System Expansion" for the PNOZmulti base units that can be connected.

2.3 Front view



Legend:

- ▶ X4: Connection for proximity switch at axis 1
- ▶ X3: Connection for proximity switch at axis 2
- ▶ X12: Mini IO socket for connecting encoder or proximity switch at axis 1
- ▶ X22: Mini IO socket for connecting encoder or proximity switch at axis 2
- ▶ LEDs:
 - Power
 - Run
 - Diag
 - Fault
 - Axis 1
 - Axis 2

3 Safety

3.1 Intended use

The motion monitoring expansion module monitors safety functions in accordance with EN 61800-5-2 for safe motion monitoring.

The following monitoring functions are performed:

- ▶ Safe direction of movement monitoring (SDI-M)
- ▶ Safe operating stop monitoring (SOS-M)
- ▶ Safe speed range monitoring (SSR-M)
- ▶ Safe speed monitoring (SSM)


The expansion module meets the requirements of EN IEC 61508 up to SIL 3 and EN ISO 13849-1 up to PL e.

The expansion module may only be connected to a base unit from the configurable system PNOZmulti 2 (please refer to the document "PNOZmulti System Expansion" for details of the base units that can be connected).

The configurable system PNOZmulti 2 is used for the safety-related interruption of safety circuits and is designed for use in:

- ▶ Emergency stop equipment
- ▶ Safety circuits in accordance with VDE 0113 Part 1 and EN 60204-1

The following is deemed improper use in particular:

- ▶ Any component, technical or electrical modification to the product
- ▶ Use of the product outside the areas described in this manual
- ▶ Use of the product outside the technical details (see [Technical details](#) [ 34]).



NOTICE

EMC-compliant electrical installation

The product is designed for use in an industrial environment. The product may cause interference if installed in other environments. If installed in other environments, measures should be taken to comply with the applicable standards and directives for the respective installation site with regard to interference.

3.2 System requirements

Please refer to the "Product Modifications PNOZmulti" document in the "Version overview" section for details of which versions of the base unit and PNOZmulti Configurator can be used for this product.

3.3 Safety regulations

3.3.1 Safety assessment

Before using a unit it is necessary to perform a safety assessment in accordance with the Machinery Directive.

Functional safety is guaranteed for the product as a single component. However, this does not guarantee the functional safety of the overall plant/machine. In order to achieve the required safety level for the overall plant/machine, define the safety requirements for the plant/machine and then define how these must be implemented from a technical and organisational standpoint.

3.3.2 Use of qualified personnel

The products may only be assembled, installed, programmed, commissioned, operated, maintained and decommissioned by competent persons.

A competent person is someone who, because of their training, experience and current professional activity, has the specialist knowledge required to test, assess and operate the work equipment, devices, systems, plant and machinery in accordance with the general standards and guidelines for safety technology.

It is the company's responsibility only to employ personnel who:

- ▶ Are familiar with the basic regulations concerning health and safety / accident prevention
- ▶ Have read and understood the information provided in this description under "Safety"
- ▶ And have a good knowledge of the generic and specialist standards applicable to the specific application.

3.3.3 Warranty and liability

All claims to warranty and liability will be rendered invalid if

- ▶ The product was used contrary to the purpose for which it is intended
- ▶ Damage can be attributed to not having followed the guidelines in the manual
- ▶ Operating personnel are not suitably qualified
- ▶ Any type of modification has been made (e.g. exchanging components on the PCB boards, soldering work etc.).

3.3.4 Disposal

- ▶ In safety-related applications, please comply with the mission time T_M in the safety-related characteristic data.
- ▶ When decommissioning, please comply with local regulations regarding the disposal of electronic devices (e.g. Electrical and Electronic Equipment Act).

3.3.5 For your safety

The unit meets all the necessary conditions for safe operation. However, you should always ensure that the following safety requirements are met:

- ▶ This operating manual only describes the basic functions of the unit. The expanded functions are described in the PNOZmulti Configurator's online help. Only use these functions once you have read and understood the documentations.
- ▶ Do not open the housing or make any unauthorised modifications.
- ▶ Please make sure you shut down the supply voltage when performing maintenance work (e.g. exchanging contactors).

4 Function description

4.1 Operation

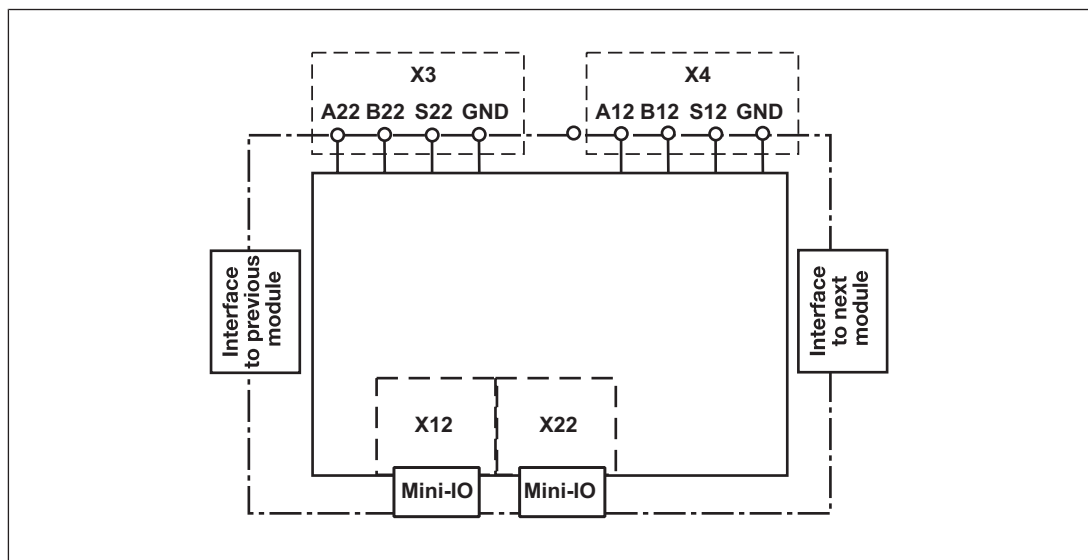
The motion monitoring module PNOZ m EF 2MM can monitor two axes independently. The motion monitoring module signals the status of the monitored values to the base unit. Depending on the implemented safety circuit, the values may be transferred from the base unit to an output on the control system. Proximity switches or encoders are used to record the values.

The configuration of the motion monitoring module is described in detail in the PNOZmulti Configurator's online help.

The relay conforms to the following safety criteria:

- ▶ The circuit is redundant with built-in self-monitoring.
- ▶ The safety function remains effective in the case of a component failure.

4.2 Block diagram



4.3 Monitoring functions

Safe speed monitoring

The "Safe speed monitoring" function (SSM) monitors whether the current speed exceeds a limit value.

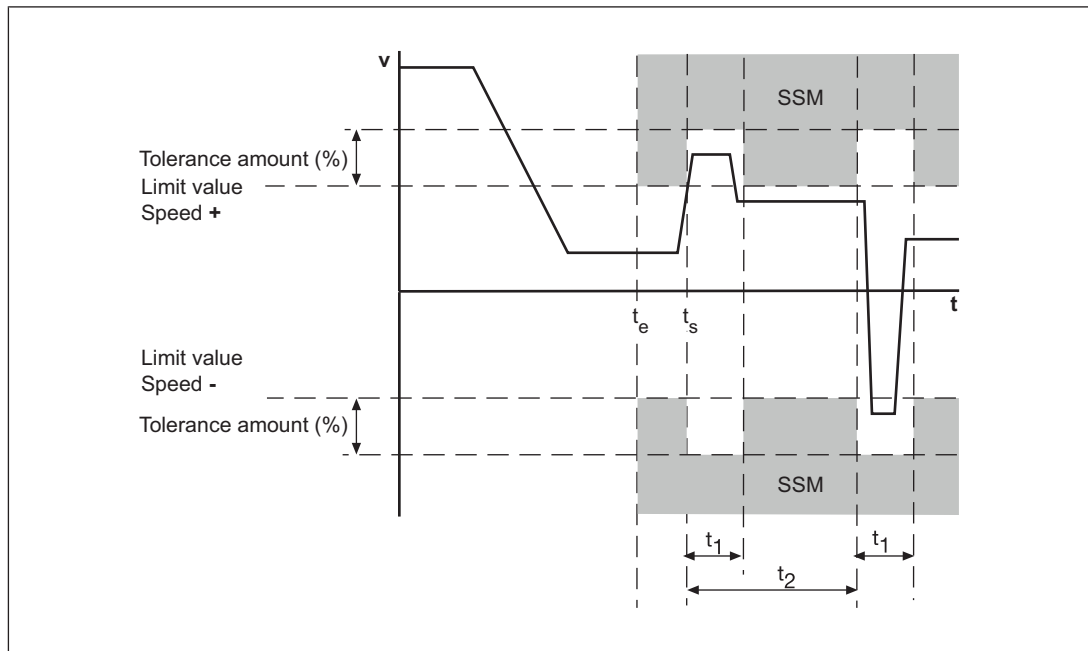
If the configured limit value is exceeded, the output switches off. As soon as the value falls below the limit value (plus hysteresis), the output switches off again.

8 limit values can be configured per axis in the PNOZmulti Configurator.

A tolerance range may also be set for the limit values used to monitor the speed. This tolerance range modifies the set limit values. As a result, one-off or periodic overshoots that exceed the limit values can be tolerated.

The following values can be configured for the tolerance range:

- ▶ Tolerance time (t_1), which takes into account the length of the overshoots (maximum time for which the limit value may be exceeded). It must not be possible that the sum of all the overshoots exceeds the tolerance time (t_1) within a tolerance period (t_2).
- ▶ Tolerance period (t_2), which takes into account the oscillation period (minimum time that must elapse between one limit value overshoot and the next)
- ▶ Tolerance amount (%), which takes into account the amplitude of the overshoots (maximum permitted percentage by which the configured limit values may be exceeded)



Legend:

- ▶ t_e : Activation of the safety function SSM
- ▶ t_s : Speed v exceeds the limit value and activates the tolerance range (tolerance time, tolerance period, tolerance amount)
- ▶ t_1 : Tolerance time
- ▶ t_2 : Tolerance period
- ▶ Tolerance amount (%): Tolerance amount of limit value in both directions

Safe speed range monitoring

The "Safe speed range monitoring" function (SSR-M) monitors the current speed to ensure it stays within a maximum and minimum permitted limit value.

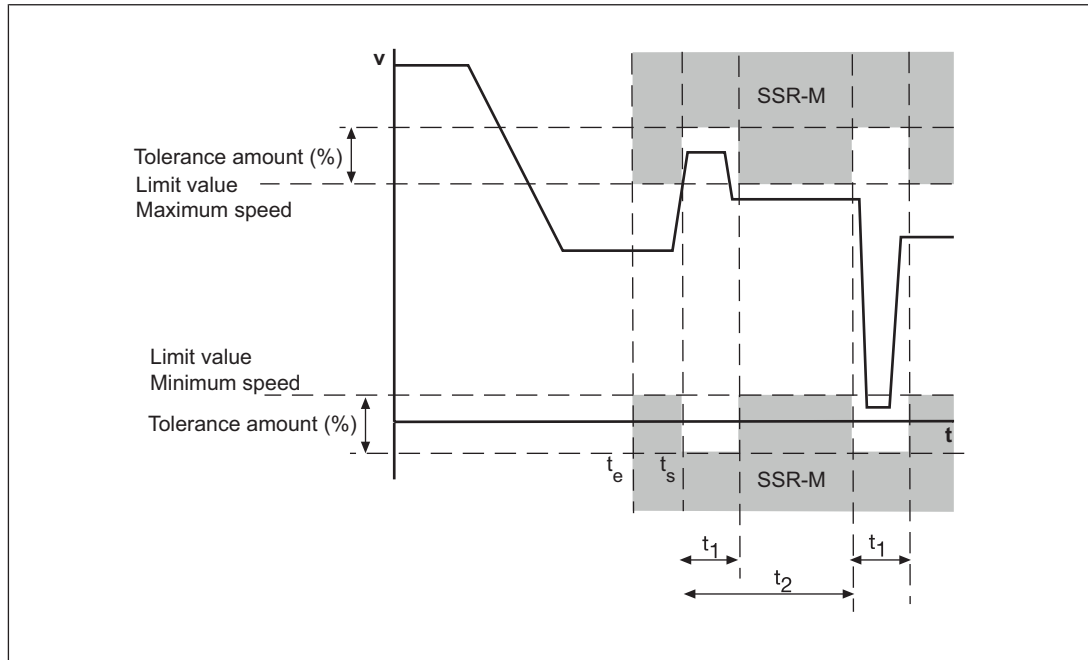
If the speed is outside the configured range, the output switches off. As soon as the speed returns to within the configured range (plus hysteresis), the output switches back on.

A tolerance range may also be set for the limit values used to monitor the speed range. This tolerance range modifies the set limit values. As a result, one-off or periodic overshoots that exceed the range limits can be tolerated.

The following values can be configured for the tolerance range:

- ▶ Tolerance time (t_1), which takes into account the length of the overshoots (maximum time for which the limit value may be exceeded). It must not be possible that the sum of all the overshoots exceeds the tolerance time (t_1) within a tolerance period (t_2).

- ▶ Tolerance period (t_2), which takes into account the oscillation period (minimum time that must elapse between one limit value overshoot and the next)
- ▶ Tolerance amount as a %, which takes into account the amplitude of the overshoots (maximum permitted percentage by which the limit value may be exceeded)



Legend:

- ▶ t_e : Activation of the safety function SSR-M
- ▶ t_s : Speed v exceeds the limit value and activates the tolerance range (tolerance time, tolerance period, tolerance amount)
- ▶ t_1 : Tolerance time
- ▶ t_2 : Tolerance period
- ▶ Tolerance amount (%): Tolerance amount of the two limit values, maximum and minimum speed

Safe direction of movement monitoring

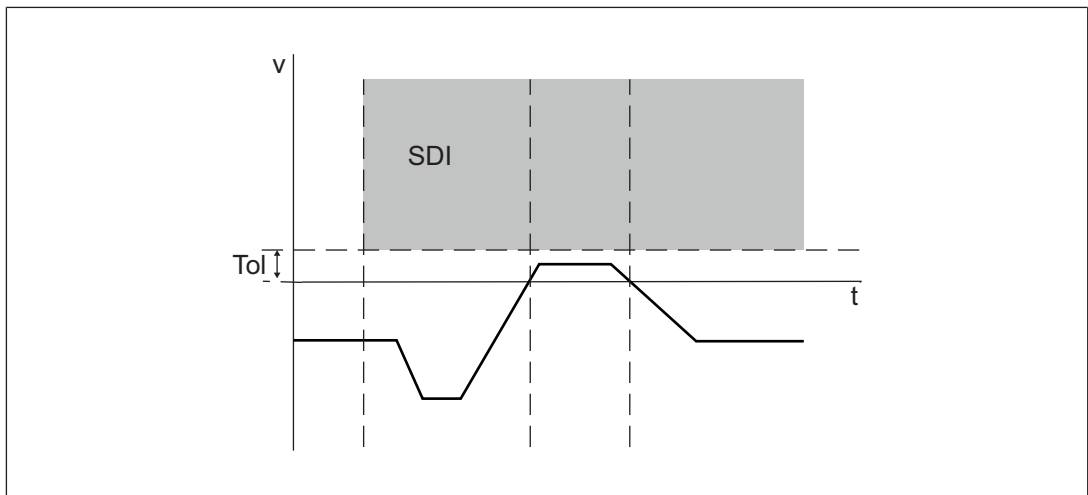
The "Safe Direction Monitor" (SDI-M) monitors the defined direction of movement of the drive axis (positive or negative). Safe direction of movement monitoring is activated via the start input. It remains active until the position tolerance is exceeded. As long as the current position is within the tolerated position, you can display the tolerance field at any time by re-activating the start input (retrigger). As a result, the current position can be used at any time as the start point for the monitoring function.

**WARNING!**

Potential loss of safety function with a tolerance value >24,900,000 increments!

The following applies when using a PNOZmulti Configurator **Version <10.0**: If a tolerance value >24,900,000 increments is configured in the PNOZmulti Configurator, the monitoring function will no longer be evaluated correctly. Depending on the application, serious injury or death may result. Make sure that a tolerance value <24,900,000 increments is configured. From Version 10.0 of the PNOZmulti Configurator, the feasibility of the value will be checked automatically.

The monitoring function SDI-M is not available in proximity switches where no position can be determined.

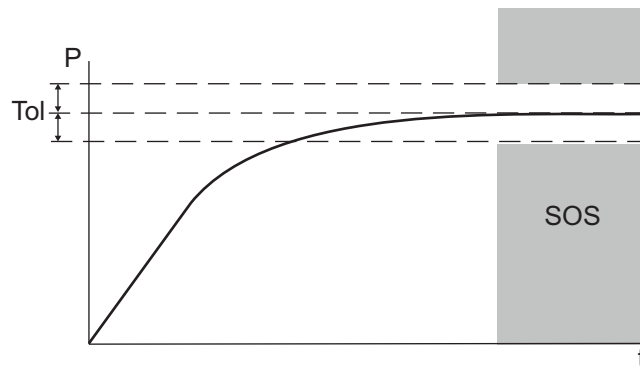
**Safe operating stop monitoring**

The "Safe Operation Stop Monitor" (SOS-M) monitors whether the standstill position remains within a configured tolerance window. Safe operating stop monitoring is activated via the start input. It remains active until the direction tolerance is exceeded. As long as the current position is within the tolerated position, you can display the tolerance field at any time by reactivating the start input (retrigger). As a result, the current position can be used at any time as the start point for the monitoring function.

**WARNING!**

Potential loss of safety function with a tolerance value $>24,900,000$ increments!

The following applies when using a PNOZmulti Configurator **Version <10.0**: If a tolerance value $>24,900,000$ increments is configured in the PNOZmulti Configurator, the monitoring function will no longer be evaluated correctly. Depending on the application, serious injury or death may result. Make sure that a tolerance value $<24,900,000$ increments is configured. From Version 10.0 of the PNOZmulti Configurator, the feasibility of the value will be checked automatically.

**Hysteresis**

A hysteresis can be configured for the monitoring functions. This prevents the outputs from bouncing if there are fluctuations around the response value. The hysteresis takes effect when the output is switched on.

Validation cut-off frequency

As implausible signals may arise due to edge jitter on the sensors around the standstill position, a validation cut-off frequency must be configured for sensor types with proximity switches in the PNOZmulti Configurator (edge jitter is caused by the position control of the drive frequency converter or by external interference signals).

If the value of the validation cut-off frequency falls below the configured value, the feasibility check of the sensors will no longer be run.

4.4 System reaction time

Calculation of the maximum reaction time between an input switching off and a linked output in the system switching off is described in the document "PNOZmulti System Expansion".

4.5 Proximity switches

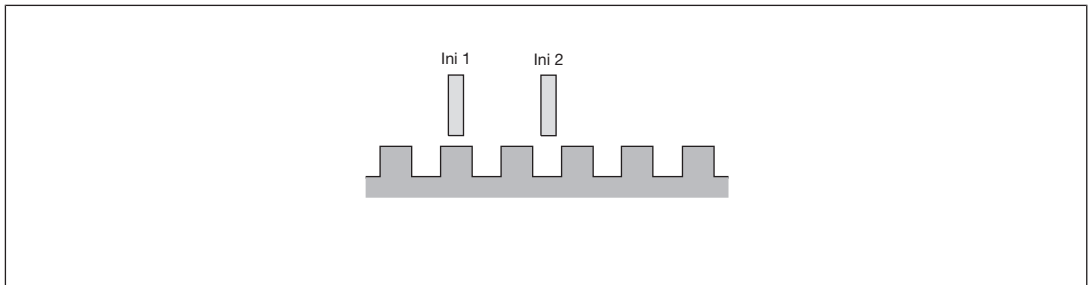
- ▶ The following proximity switches can be used with a pnp or npn output:
 - Inductive
 - Capacitive
- ▶ The proximity switches must be fitted so that at least one is always activated. In other words, the proximity switches must be fitted so that the recorded signals always overlap.
- ▶ The cable used to connect the proximity switches must be shielded (see connection diagrams in the chapter entitled "EMC-compliant wiring").
- ▶ A DC voltage in the range of 0 - 30 V can be monitored via track S. It should be used to monitor the supply voltage of the proximity switches.



CAUTION!

Please note: Connection of the proximity switches may only be performed in three-wire technology and not in two-wire technology.

Proximity switch assembly:



Signal characteristics:

Proximity switch combinations	Signal image in an energised state
PNP / PNP	<p> Ini 1: Energised (high), De-energised (low) Ini 2: Energised (low), De-energised (high) Transition width: > 1% of period length </p>
NPN / NPN	<p> Ini 1: De-energised (high), Energised (low) Ini 2: De-energised (low), Energised (high) Transition width: > 1% of period length </p>

Proximity switch combinations	Signal image in an energised state
NPN / PNP	<p>De-energiser Energised Energised De-energise > 1% of period length</p>
PNP / NPN	<p>Energised De-energise De-energise Energised > 1% of period length</p>

**CAUTION!**

Appropriate installation measures should be taken to prevent a foreign body coming between the signal encoder and the proximity switch. If not, the foreign body could cause invalid signals.

- ▶ Please note the values stated in the sensor's technical details.
- ▶ For a full configuration, the maximum frequency of the sensors you are using must be entered in the PNOZmulti Configurator (see sensor's data sheet).

4.6**Encoder**

- ▶ The following encoders can be used:
 - TTL, HTL (single-ended or differential signals)
 - Sin/Cos 1 Vss
 - Hiperface®
- ▶ The encoders can be connected with or without Z index (0 index).
- ▶ The cables used to connect the encoders must be shielded (see connection diagrams in the chapter entitled "EMC-compliant wiring").
- ▶ A pnp proximity switch can also be connected to track Z for monitoring broken shear-pins.

Please note:

Monitoring for broken shearpins does not become active until

- The minimum speed has been exceeded and

- The tolerance for detecting feasibility errors has elapsed.

The minimum speed and tolerance depend on the ratio of the frequency at tracks AB " f_{AB} " to the frequency at track Z " f_Z " in your configuration (see PNOZmulti Configurator **Element Motion Monitor**, value **Calculated Ratio AB/Z**).

Minimum speed:

- Calculated ratio $AB/Z \geq 1.0$
 $f_Z = 10 \text{ mHz}$ or $f_{AB} = (f_{AB}/f_Z) \times 10 \text{ mHz}$
- when $f_{AB}/f_Z \text{ Verh.} < 1.0$
 $f_{AB} = 10 \text{ mHz}$ or $f_Z = 10 \text{ mHz}/(f_{AB}/f_Z)$

Tolerance for detecting feasibility errors:

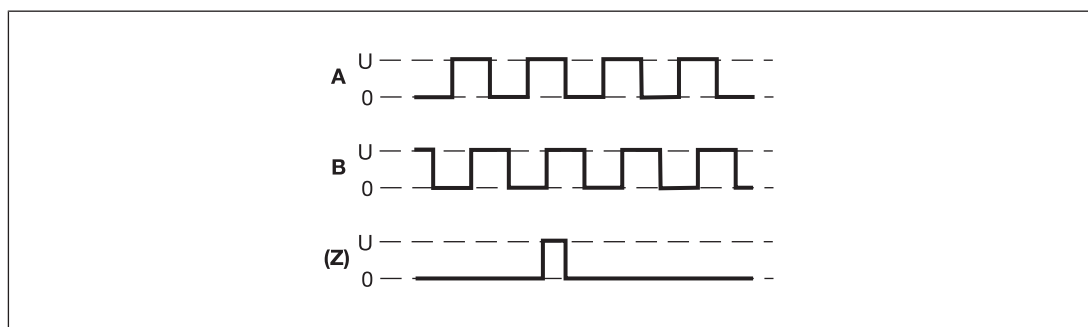
- when $f_{AB}/f_Z \text{ Verh.} \geq 1.0$
 7.5 Z-pulses or $7.5 \times (f_{AB}/f_Z) \text{ AB-pulses}$
- when $f_{AB}/f_Z \text{ Verh.} < 1.0$
 4.5 AB-pulses or $4.5/(f_{AB}/f_Z) \text{ Z-pulses}$
- ▶ With Hiperface encoders, the Sin- Cos track is recorded and monitored via an adapter (see [Adapters for encoders](#) [📖 21]).
- ▶ Track S can be used:
 - To connect an encoder's error output.
 - To monitor voltages between 0 V and 30 V for a permitted upper and lower limit. For example, the encoder's supply voltage can be monitored.
- ▶ The maximum frequency of the used encoders must be entered for a complete configuration.
- ▶ Pay attention to the values in the technical details.

4.6.1

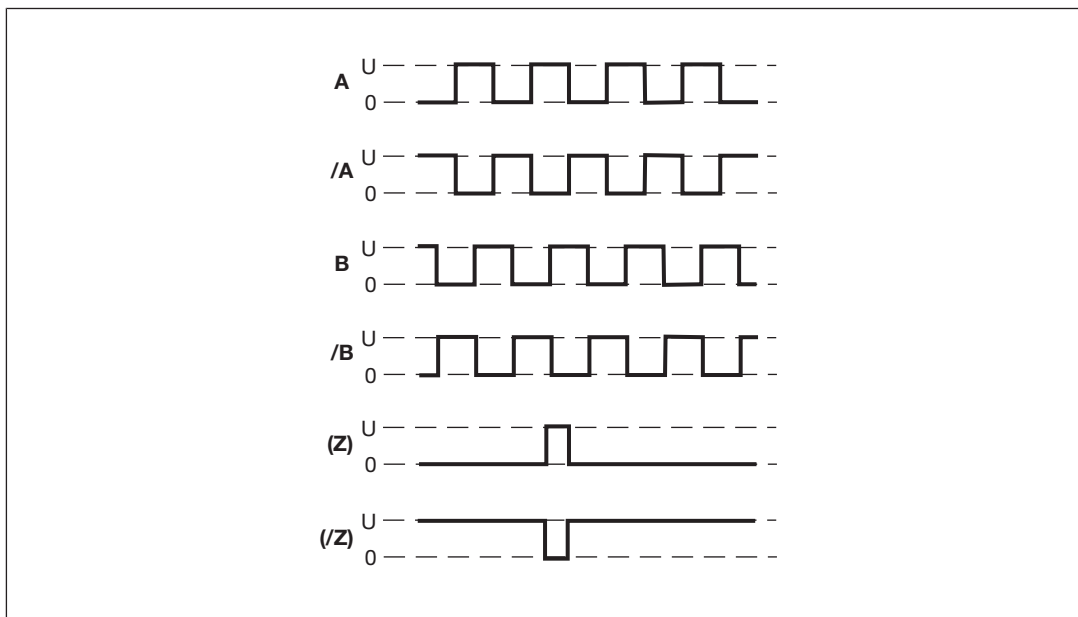
Output signals

Output signals TTL, HTL

Single ended

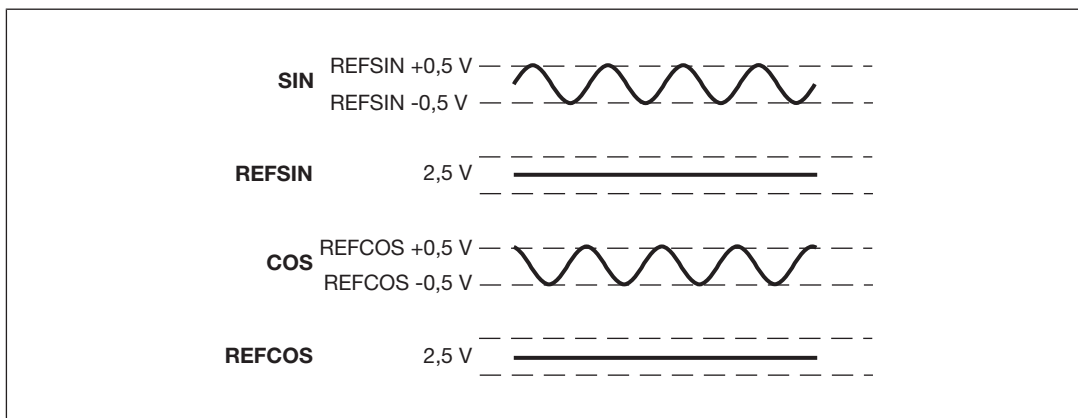


Differential

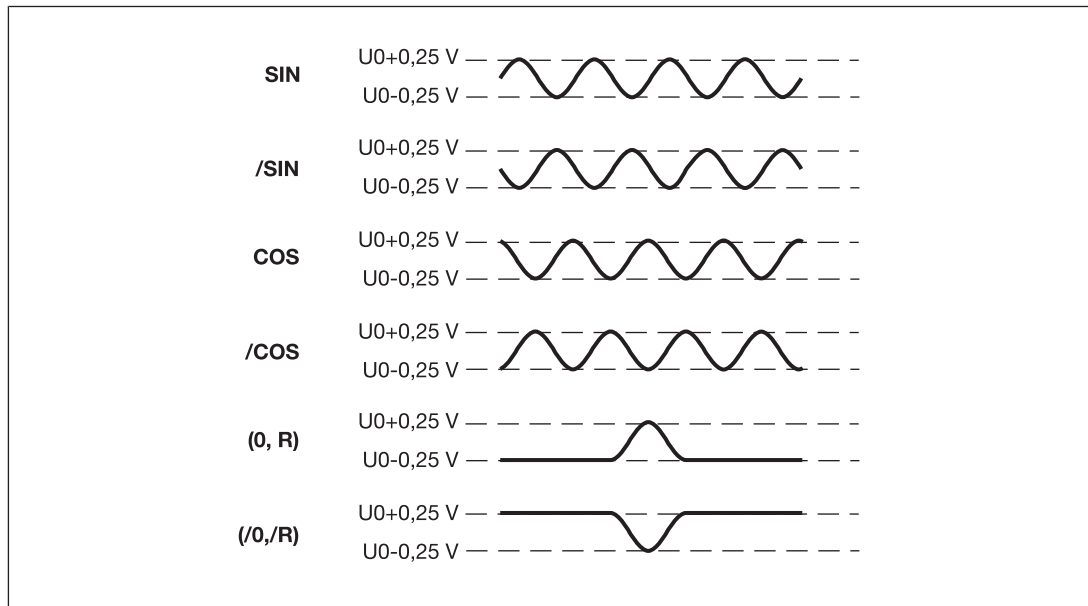


Output signals Sin/Cos (1 Vss)

Single ended with reference track (e.g. Hiperface ®)



Differential with/without Z index (e.g. Heidenhain 1 Vss)



4.6.2 Adapters for encoders

The adapter records the data between the encoder and the drive and makes it available to the PNOZ m EF 2MM via the Mini-IO socket.

Pilz supplies complete adapters as well as ready-made cable with Mini-IO connector, which can be used when making your own adapter. The range of products in this area is constantly being expanded. Please contact us about the range of adapters that is currently available.

5 Installation

5.1 General installation guidelines

- ▶ The unit should be installed in a control cabinet with a protection type of at least IP54.
- ▶ Fit the safety system to a horizontal mounting rail. The venting slots must face upward and downward. Other mounting positions could damage the safety system.
- ▶ Use the locking elements on the rear of the unit to attach it to a mounting rail.
- ▶ In environments exposed to heavy vibration, the unit should be secured using a fixing element (e.g. retaining bracket or end angle).
- ▶ Open the locking slide before lifting the unit from the mounting rail.
- ▶ To comply with EMC requirements, the mounting rail must have a low impedance connection to the control cabinet housing.
- ▶ The ambient temperature of the PNOZmulti units in the control cabinet must not exceed the figure stated in the technical details, otherwise air conditioning will be required.

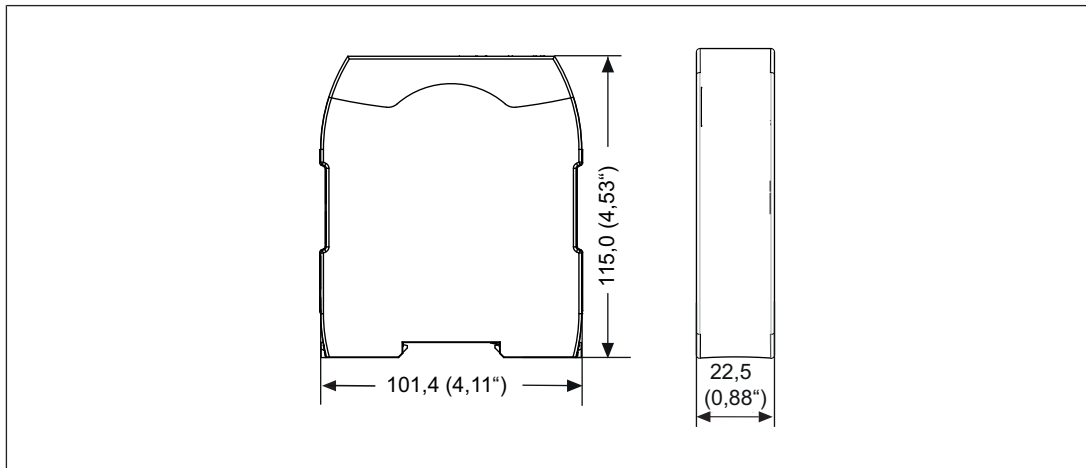


NOTICE

Damage due to electrostatic discharge!

Electrostatic discharge can damage components. Ensure against discharge before touching the product, e.g. by touching an earthed, conductive surface or by wearing an earthed armband.

5.2 Dimensions in mm



5.3 Connect the base unit and expansion modules

Connect the base unit and the expansion module as described in the operating instructions for the base units.

- ▶ Connect the black/yellow terminator to the expansion module.
- ▶ Install the expansion module in the position in which it is configured in the PNOZmulti Configurator.

The position of the expansion modules is defined in the PNOZmulti Configurator. The expansion modules are connected to the left or right of the base unit, depending on the type. Please refer to the document "PNOZmulti System Expansion" for details of the number of modules that can be connected to the base unit and the module types.

6 Commissioning

6.1 Wiring

The wiring is defined in the circuit diagram of the PNOZmulti Configurator.

Please note:

- ▶ Information given in the "[Technical details \[34\]](#)" must be followed.
- ▶ Use copper wiring with a temperature stability of 75°C.
- ▶ The cable used to connect the encoders and proximity switches must be shielded (see connection diagrams in the chapter entitled "EMC-compliant wiring").
- ▶ The shield may only be connected to earth at a single point.
- ▶ Earth loops should be avoided.
- ▶ If possible, the connections for the various earth potentials (GND, A2) should not be connected on the PNOZ m EF 2MM but should be connected directly to the GNDs on the connected units, otherwise noise susceptibility may be increased significantly (conductor loops are not permitted).



CAUTION!

Only connect and disconnect the expansion module when the supply voltage is switched off.

6.2 Pin assignment of Mini-IO socket

Mini-IO socket 8-pin	PIN	Track
	1	S
	2	GND
	3	Z
	4	A
	5	/A
	6	/Z
	7	B
	8	/B

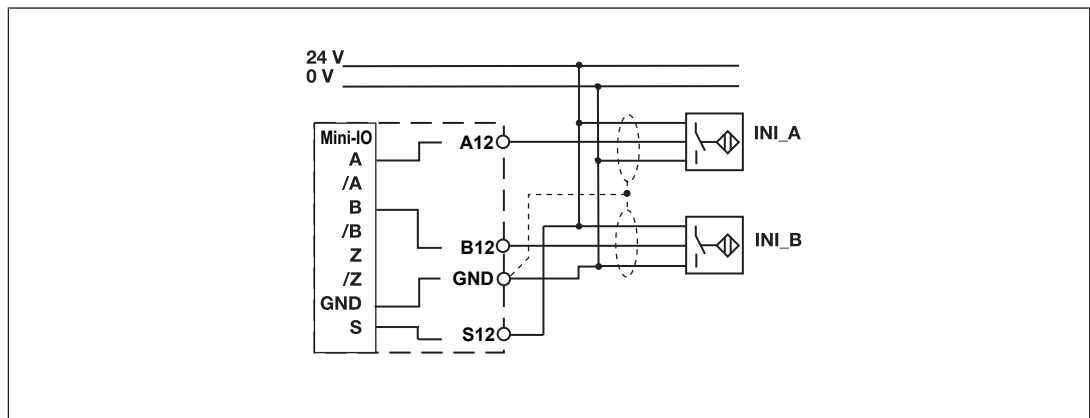
6.3 Connection of proximity switches

The following proximity switch combinations can be connected:

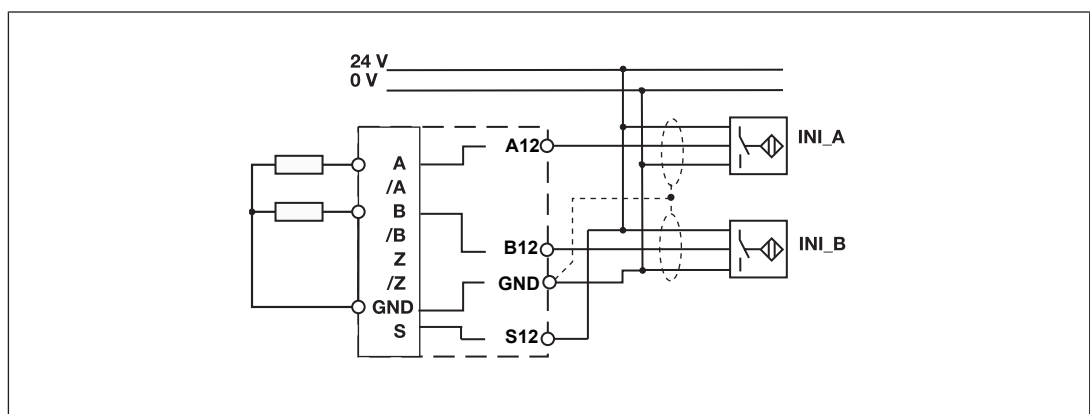
- ▶ A: pnp, B: pnp
- ▶ A: npn, B: npn
- ▶ A: pnp, B: npn
- ▶ A: npn, B: pnp

When connecting proximity switches please note:

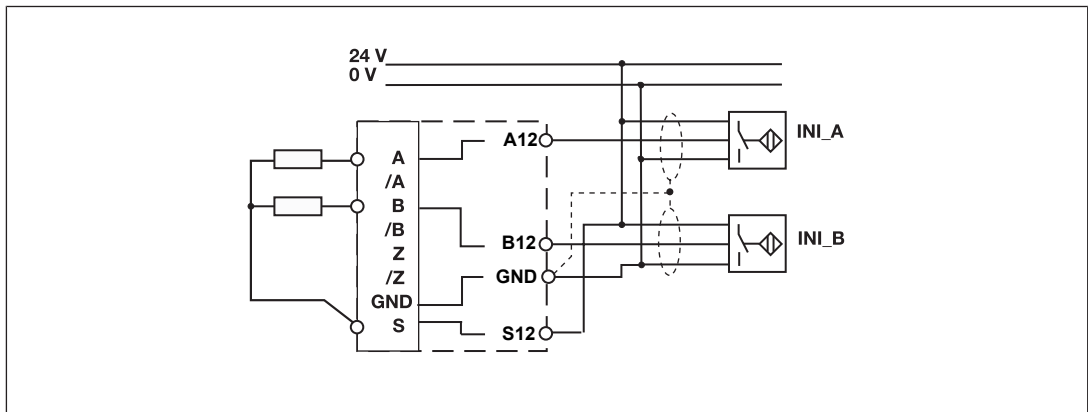
- ▶ Proximity switches can be connected to
 - terminals A12, B12, GND for axis 1 and A22, B22, GND for axis 2
 - or
 - tracks A, B and GND of the Mini-IO socket (X12 for axis 1, X22 for axis 2).
- ▶ Track S (S12, S22) should be used to monitor the supply voltage (see drawing). A permitted voltage range can be entered in the menu.
- ▶ Connect the proximity switch to 24 VDC of the power supply.
- ▶ When connecting the proximity switches, please refer to the chapter entitled "EMC-compliant wiring".
- ▶ Invalid signals may occur with cable lengths >50 m. In this case we recommend that you connect a resistor between the signal lines, as shown in the diagrams.
- ▶ Connection of the proximity switches may only be performed in three-wire technology and not in two-wire technology.



pnp proximity switch with resistor $R = 10\text{ k}\Omega$



npn proximity switch with resistor R = 47 kOhm



6.4 Connection of an encoder

Proceed as follows when connecting the encoder:

- ▶ The encoder can be connected via an adapter (e.g. MM A Mini-IO-CAB01) or directly to the PNOZ m EF 2MM.
- ▶ Use only shielded cables for all connections. Please refer to the chapter entitled "EMC-compliant wiring".
- ▶ Always connect GND on the encoder to GND on the Mini-IO connector.

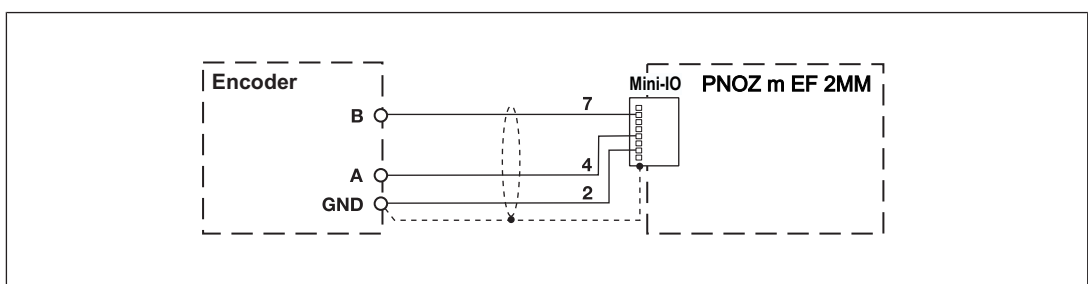
6.4.1 Connect encoder

Encoder types:

- ▶ TTL single ended
- ▶ HTL single ended

Please note:

- ▶ Tracks/A, /B, Z, and /Z must remain free

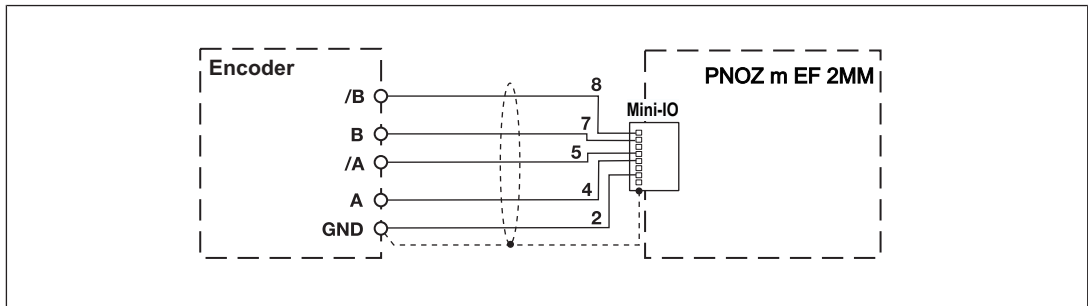


Encoder types:

- ▶ TTL differential
- ▶ HTL differential
- ▶ sin/cos 1 Vss
- ▶ Hiperface

Please note:

- ▶ Tracks/A, /B, Z, and /Z must remain free



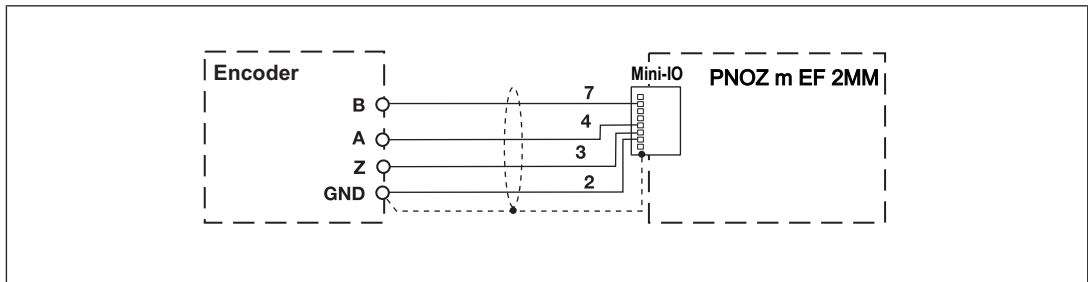
6.4.2 Connect encoder with Z index

Encoder types:

- ▶ TTL single Z Index
- ▶ HTL single Z Index

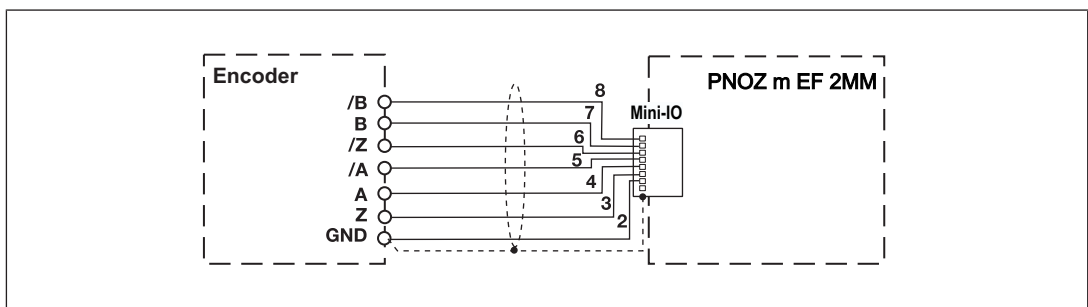
Please note:

- ▶ Tracks /A, /B and /Z must remain free



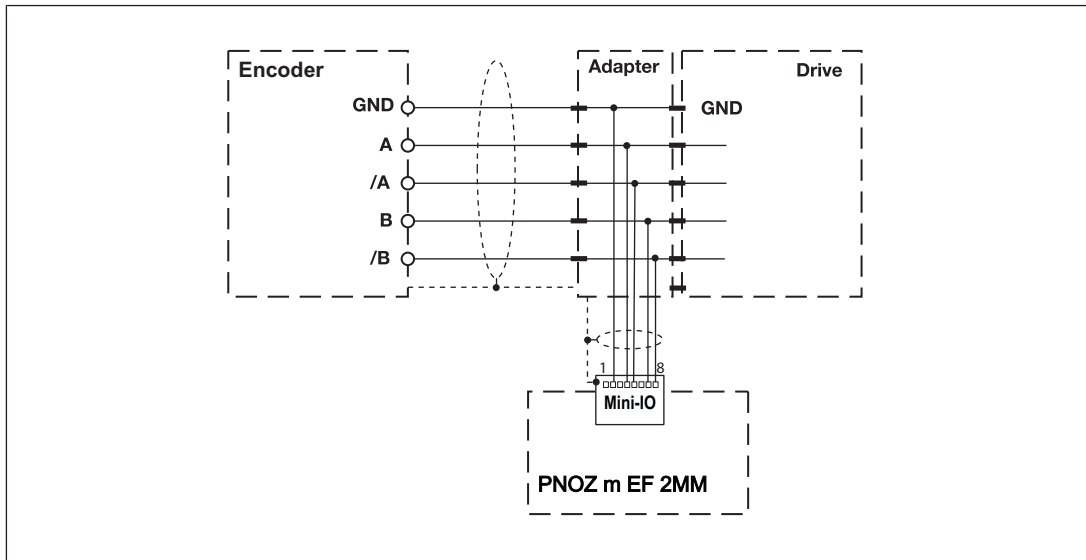
Encoder types:

- ▶ TTL diff. Z Index
- ▶ HTL diff. Z Index
- ▶ sin/cos 1 Vss Z Index



6.4.3 Connect encoder via an adapter

The adapter (e.g. MM A Mini-IO-CAB01) is connected between the encoder and the drive. The output on the adapter is connected to the Mini-IO socket on the PNOZ m EF 2MM.



6.5 Connection of proximity switch and encoder

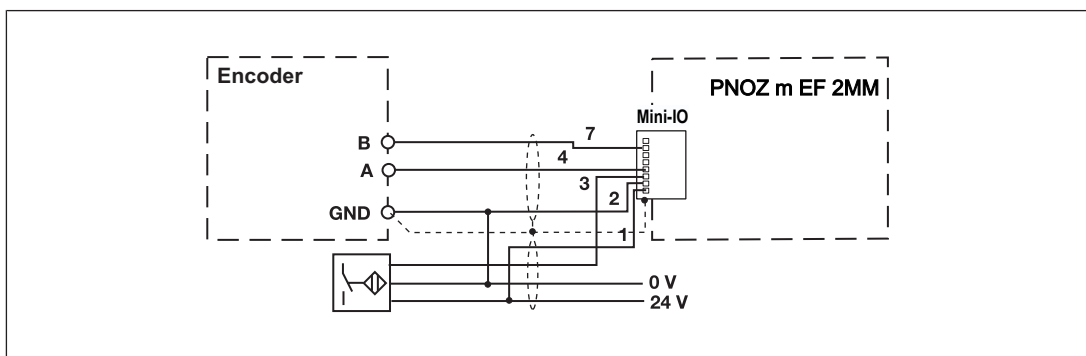
When connecting the encoders and proximity switches, please refer to the chapter entitled "EMC-compliant wiring".

Sensor types:

- ▶ Configuration: HTL single Z Freq. Ini pnp
 - HTL single ended (A,B) + Ini pnp (Z)
 - HTL single ended (A,B) + HTL differential (A as Z)
 - HTL single ended (A,B) + HTL single ended (A as Z)
- ▶ Configuration: TTL single Z Freq. Ini pnp
 - TTL single ended (A,B) + Ini pnp (Z)
 - TTL single ended (A,B) + HTL differential (A as Z)
 - TTL single ended (A,B) + HTL single ended (A as Z)

Please note:

Tracks /A, /B and /Z must remain free.



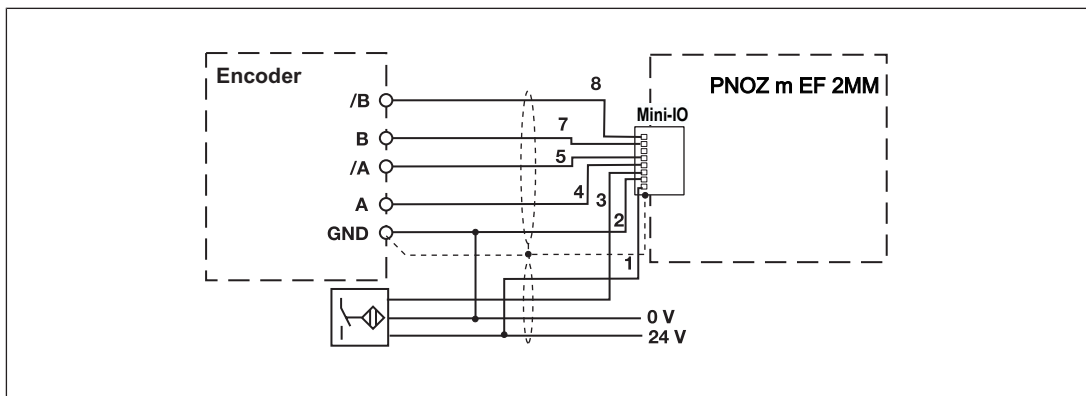
Sensor types:

- ▶ Configuration: TTL differential Z Freq. Ini pnp
 - TTL differential (A,/A,B,/B) + Ini pnp (Z)
 - TTL differential (A,/A,B,/B) + HTL differential (A as Z)

- TTL differential (A,/A,B,/B) + HTL single ended (A as Z)
- ▶ Configuration: HTL differential Z Freq. Ini pnp
 - HTL differential (A,/A,B,/B) + Ini pnp (Z)
 - HTL differential (A,/A,B,/B) + HTL differential (A as Z)
 - HTL differential (A,/A,B,/B) + HTL single ended (A as Z)
- ▶ Configuration: sin/cos 1 Vss Z Freq. Ini pnp
 - sin/cos 1 Vss (A,/A,B,/B) + Ini pnp (Z)
 - sin/cos 1 Vss (A,/A,B,/B) + HTL differential (A as Z)
 - sin/cos 1 Vss (A,/A,B,/B) + HTL single ended (A as Z)
- ▶ Configuration: Hiperface Z Freq. Ini pnp
 - Hiperface (A,/A,B,/B) + Ini pnp (Z)
 - Hiperface (A,/A,B,/B) + HTL differential (A as Z)
 - Hiperface (A,/A,B,/B) + HTL single ended (A as Z)

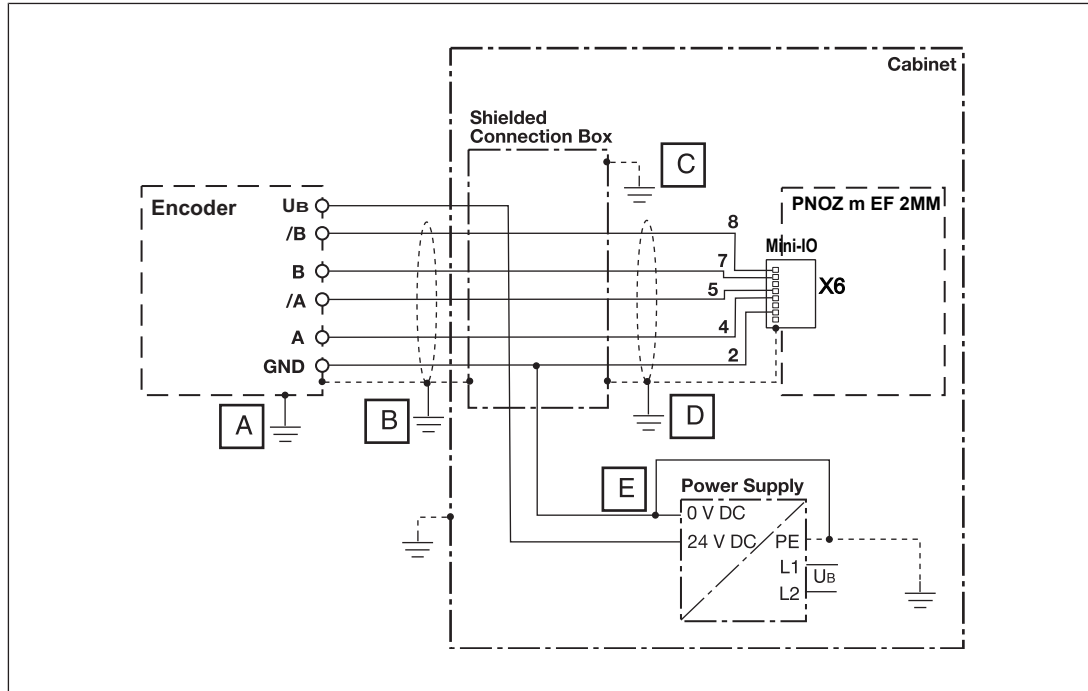
Please note:

Track /Z must remain free!!



6.6 EMC-compliant wiring

EMC-compliant wiring for connecting an encoder



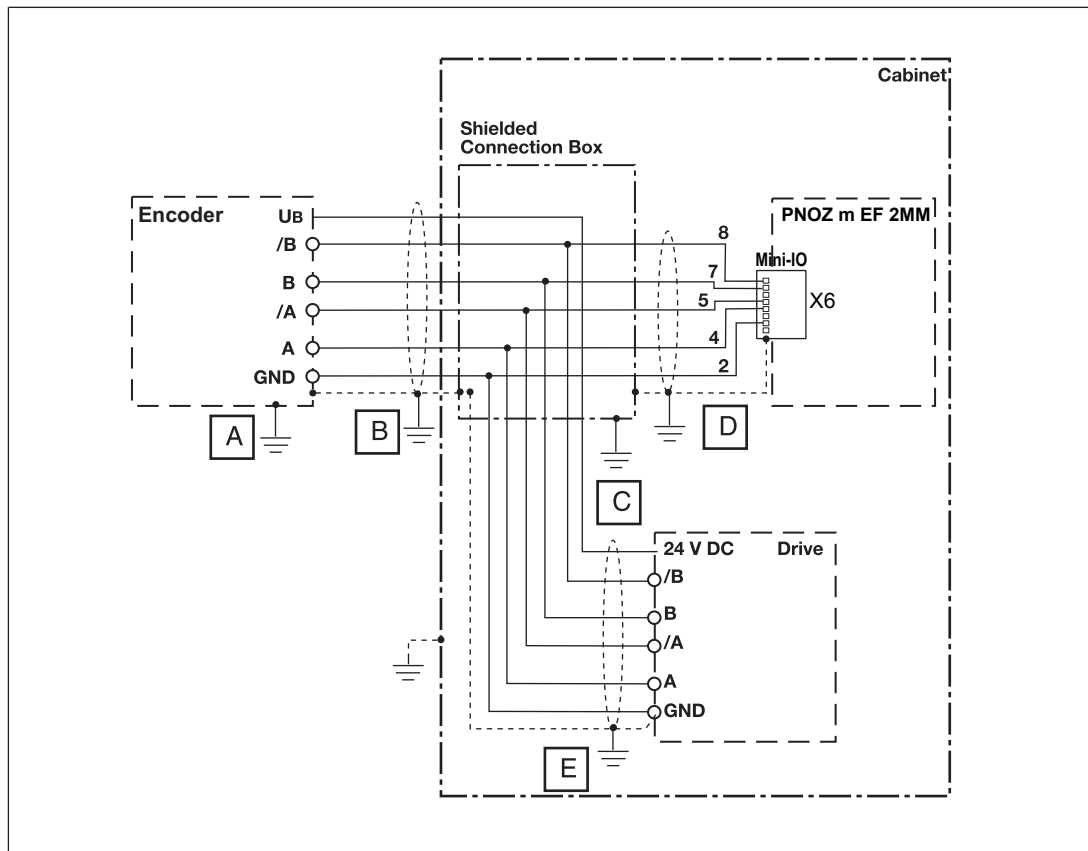
To avoid EMC interference we recommend that the shield on the sensor cables or the housing of the shielded junction box is only connected to earth at a single point:

A or B or C or D or E

Conductor loops outside the shield must be avoided.

If a shielded junction box is not used, the shield must run continuously from the sensor to the evaluation device.

EMC-compliant wiring for connecting an encoder with drive



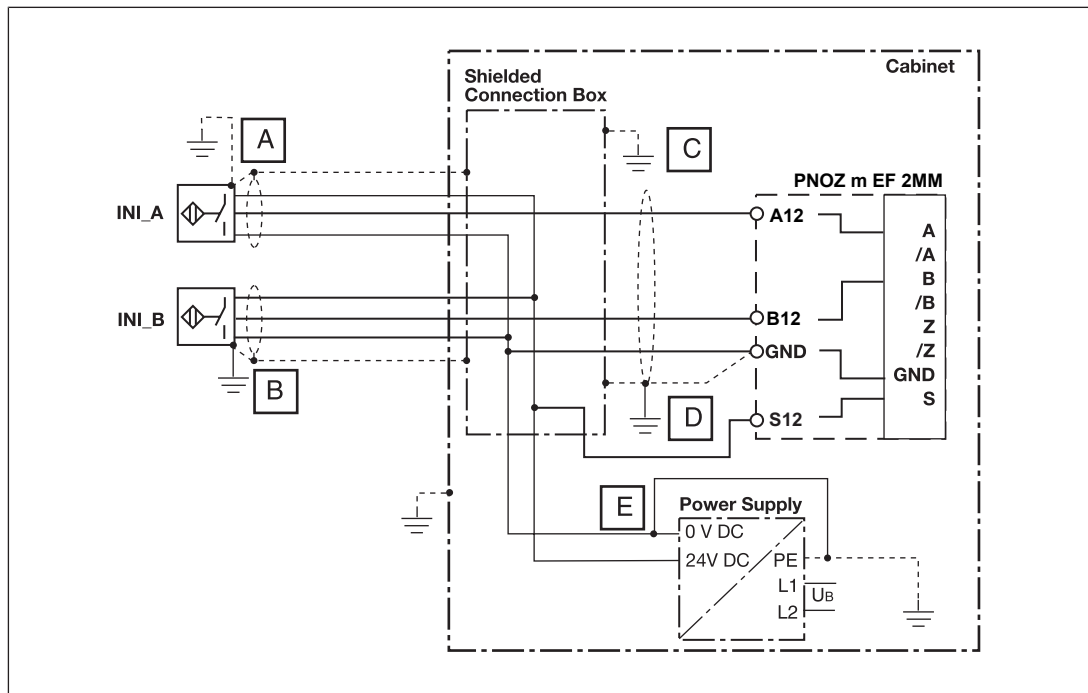
To avoid EMC interference we recommend that the shield on the sensor cables or the housing of the shielded junction box is only connected to earth at a single point:

A or B or C or D or E

Conductor loops outside the shield must be avoided.

If a shielded junction box is not used, the shield must run continuously from the sensor to the evaluation device.

EMC-compliant wiring for connecting 2 proximity switches



To avoid EMC interference we recommend that the shield on the sensor cables or the housing of the shielded junction box is only connected to earth at a single point:

A or B or C or D or E

Conductor loops outside the shield must be avoided.

If a shielded junction box is not used, the shield must run continuously from the sensor to the evaluation device.

6.7 Download modified project to the PNOZmulti system

As soon as an additional expansion module has been connected to the system, the project must be amended using the PNOZmulti Configurator. Proceed as described in the operating instructions for the base unit.



NOTICE

For the commissioning and after every program change, you must check whether the safety devices are functioning correctly.

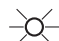


7 Operation








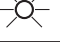
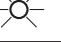
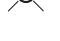


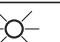


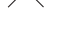





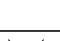
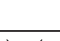
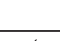


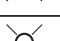

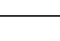
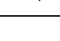





When the supply voltage is switched on, the PNOZmulti safety system copies the configuration from the chip card.

The LEDs “POWER”, “DIAG”, “FAULT”, “IFAULT” and “OFAULT” will light up on the base unit.

7.1 Messages

Legend:

-  LED on
-  LED flashes
-  LED off

LED						Error
Power	Run	Diag	Fault	Axis 1	Axis 2	
						No supply voltage
						Expansion module PNOZ m EF 2MM running without error.
						Expansion module PNOZ m EF 2MM is in a STOP condition.
						Axis 1 is configured and is running.
						Axis 2 is configured and is running.
						Internal error on the expansion module PNOZ m EF 2MM or on the overall system. Expansion module is in a safe condition.
						External error on the expansion module PNOZ m EF 2MM or on the overall system. Expansion module is in a safe condition.
						Internal error on axis 1 of the expansion module PNOZ m EF 2MM. Expansion module is in a safe condition.
						Internal error on axis 2 of the expansion module PNOZ m EF 2MM. Expansion module is in a safe condition.
						Implausible sensor signal at axis 1.
						Implausible sensor signal at axis 2.
						Implausible sensor signal at axis 1. or Internal error
						Implausible sensor signal at axis 2. or Internal error

8 Technical details

General	
Approvals	BG, CCC, CE, EAC (Eurasian), TÜV, cULus Listed
Application range	Failsafe
Module's device code	00E4h
Electrical data	
Supply voltage	
for	Module supply
internal	Via base unit
Voltage	24,0 V
Kind	DC
Current consumption	150 mA
Power consumption	3,5 W
Max. power dissipation of module	3,90 W
Status indicator	LED
Proximity switch input	
Number of inputs	4
Input signal level	
Signal level at "1"	11 - 30 V
Signal level at "0"	0 - 3 V
Input resistance	22 kOhm
Input's frequency range	0 - 5 kHz
Configurable monitoring frequency	
Without hysteresis	0.1 Hz - 5 kHz
Incremental encoder input	
Number of inputs	2
Connection type	Mini-IO female connector, 8-pin
Input signal level	0,5 - 30,0 Vss
Phase position for the differential signals A, /A and B, /B	90° ±30°
Overload protection	-50 - 65 V
Input resistance	20,0 kOhm
Input's frequency range	0 - 500 kHz
Configurable monitoring frequency	
Without hysteresis	0.1 Hz - 500 kHz
Times	
Reaction time after limit value is exceeded	1/f_ist + 16 ms
Environmental data	
Ambient temperature	
In accordance with the standard	EN 60068-2-14
Temperature range	0 - 60 °C
Forced convection in control cabinet off	55 °C

Environmental data	
Storage temperature	
In accordance with the standard	EN 60068-2-1/-2
Temperature range	-25 - 70 °C
Climatic suitability	
In accordance with the standard	EN 60068-2-30, EN 60068-2-78
Condensation during operation	Not permitted
EMC	EN 61131-2
Vibration	
In accordance with the standard	EN 60068-2-6
Frequency	5,0 - 150,0 Hz
Acceleration	1g
Shock stress	
In accordance with the standard	EN 60068-2-27
Acceleration	15g
Duration	11 ms
Max. operating height above sea level	2000 m
Airgap creepage	
In accordance with the standard	EN 61131-2
Overvoltage category	II
Pollution degree	2
Rated insulation voltage	30 V
Protection type	
In accordance with the standard	EN 60529
Mounting area (e.g. control cabinet)	IP54
Housing	IP20
Terminals	IP20
Mechanical data	
Mounting position	Horizontal on top hat rail
DIN rail	
Top hat rail	35 x 7,5 EN 50022
Recess width	27 mm
Material	
Bottom	PC
Front	PC
Top	PC
Connection type	Spring-loaded terminal, screw terminal
Mounting type	plug-in
Conductor cross section with screw terminals	
1 core flexible	0,25 - 2,50 mm², 24 - 12 AWG
2 core with the same cross section, flexible without crimp connectors or with TWIN crimp connectors	0,20 - 1,50 mm², 24 - 16 AWG
Torque setting with screw terminals	0,50 Nm
Conductor cross section with spring-loaded terminals:	
Flexible with/without crimp connector	0,20 - 2,50 mm², 24 - 12 AWG
Spring-loaded terminals: Terminal points per connection	2

Mechanical data	
Stripping length with spring-loaded terminals	9 mm
Dimensions	
Height	101,4 mm
Width	22,5 mm
Depth	111,0 mm
Weight	120 g

Where standards are undated, the 2013-01 latest editions shall apply.

8.1 Safety characteristic data

Operating mode	EN ISO 13849-1: 2008 PL	EN ISO 13849-1: 2008 Category	EN IEC 62061 SIL CL	EN IEC 62061 PFH _D [1/h]	IEC 61511 SIL	IEC 61511 PFD	EN ISO 13849-1: 2008 T _M [year]
Monitoring 1 encoder	PL d	Cat. 2	SIL CL 2	1,80E-08	SIL 2	1,58E-03	20
Monitoring 2 encoder	PL e	Cat. 3	SIL CL 3	1,01E-09	SIL 3	8,41E-05	20
Monitoring safe encoder	PL e	Cat. 4	SIL CL 3	2,35E-09	SIL 3	2,04E-04	20
Logic	PL e	Cat. 4	SIL CL 3	3,37E-10	SIL 3	2,88E-05	20

All the units used within a safety function must be considered when calculating the safety characteristic data.



INFORMATION

A safety function's SIL/PL values are **not** identical to the SIL/PL values of the units that are used and may be different. We recommend that you use the PAScal software tool to calculate the safety function's SIL/PL values.

9 Supplementary data

9.1 Categories

9.1.1 Safety level

The maximum achievable safety level depends, among other things, on the sensor, the wiring and the operating mode of the PNOZ m EF 2MM.



INFORMATION

The safety-related characteristic data of the PNOZ m EF 2MM and all other devices that are used must be taken into account when calculating the safety level. We recommend that you use the PAScal software tool to calculate the safety function's SIL/PL values.

The safety assessments below only consider the subsystems *Sensor* and PNOZ m EF 2MM. The *Actuator* subsystem depends on the application and must also be considered in the overall assessment.

Information on the safety-related characteristic data for the subsystems *Sensor* and PNOZ m EF 2MM

Example:

Sensor subsystem			Subsystem PNOZ m EF 2MM	
Category	MTTFd	DC	Operating mode	PFH [1/h]
2	Manufacturer-specific	90 %	Monitoring 1 sensor	1,83E-08

The values for **Category** and **DC** can be set for the sensor subsystem, bearing in mind the restrictions stated in the respective chapter. The MTTFd value must be stated by the sensor manufacturer.

The values for **DC** refer to the standard EN 61508.

Assuming that all faults are dangerous, MTTF = MTTFd can be set.

The characteristic value MTTF is a property of the sensor, which may only be stated by the manufacturer.

Forced dynamisation:

When monitoring sensors with square output signals (TTL, HTL) or safe sensors, the axis must be moved within 8 hours so that the signal changes on all the connected tracks.

Key:

SRP/CS = Safety-related part of a control system (EN 13849-1, Tab. 2)

9.1.2 Safety functions

The following safe monitoring functions are available:

- ▶ Safe speed monitoring (SSM)

- ▶ Safe speed range monitoring (SSR-M)
- ▶ Safe direction of movement monitoring (SDI-M)
- ▶ Safe operating stop monitoring (SOS-M)

The safety functions of the PNOZ m EF 2MM are monitoring functions, whereby a safe output signal is used to show if defined limit values are exceeded.

The reaction function that takes place (e.g. shutting down the drive, activating a mechanical brake) when exceeded limit values are detected during the normal operation of the safety function must be defined and implemented by the machine/plant developer and does not form part of the PNOZ m EF 2MM.

The monitoring function of the PNOZ m EF 2MM can be used to implement safety functions defined in the standard EN 61800-5-2 for Adjustable speed electrical power drive systems.

Safety functions in accordance with EN 61800-5-2	Implemented with monitoring function of the PNOZ m EF 2MM
Safe operating stop (SOS)	Safe operating stop monitoring (SOS-M)
Safe speed range (SSR)	Safe speed range monitoring (SSR-M)
Safe direction (SDI)	Safe direction of movement monitoring (SDI-M)
Safe speed monitoring (SSM)	Safe speed monitoring (SSM)

9.1.3 Safety-related characteristic data for operation with non-safety-related encoder without additional requirements

9.1.3.1 Permitted sensor types and output signals

Permitted encoder types:

- ▶ Rotary non-safety-related encoders
- ▶ Linear non-safety-related encoders

Permitted output signals:

- ▶ Square output signals TTL, single ended
- ▶ Square output signals TTL, differential
- ▶ Square output signals HTL, single ended
- ▶ Square output signals HTL, differential
- ▶ Sin/Cos output signals 1Vss, reference voltage
- ▶ Sin/Cos output signals 1Vss, differential

9.1.3.2 Safety-related architecture

To calculate the safety function you will need the following data for the "sensor" subsystem and the subsystem PNOZ m EF 2MM:

Sensor			Subsystem PNOZ m EF 2MM	
Category	MTTFd	DC	Operating mode	PFH (1/h)
1*	Manufacturer-specific	0 %	Monitoring 1 sensor	1,83E-08

The values for **DC** refer to the standard EN 61508.

*In accordance with EN ISO 13849-1, Category 1 is only met if the sensor is a "well-trying component".

9.1.3.3 Achievable safety level

Monitoring function	PL in accordance with EN ISO 13849-1: 2006	SIL CL in accordance with EN IEC 62061
SOS-M SSR-M SDI-M SSM	PL c (Cat. 1)	-

9.1.4 Safety-related characteristic data for operation with non-safety-related encoder with mechanical fault exclusion

In accordance with EN 61800-5-2: 2007, Table D.16 (Motion and position feedback sensors), fault exclusions are permitted for faults in the mechanical connection between the sensor and motor.

9.1.4.1 Permitted sensor types and output signals

Permitted encoder types:

- ▶ Rotary non-safety-related encoders

Permitted output signals:

- ▶ Sin/Cos output signals 1V_{ss}, reference voltage
- ▶ Sin/Cos output signals 1V_{ss}, differential



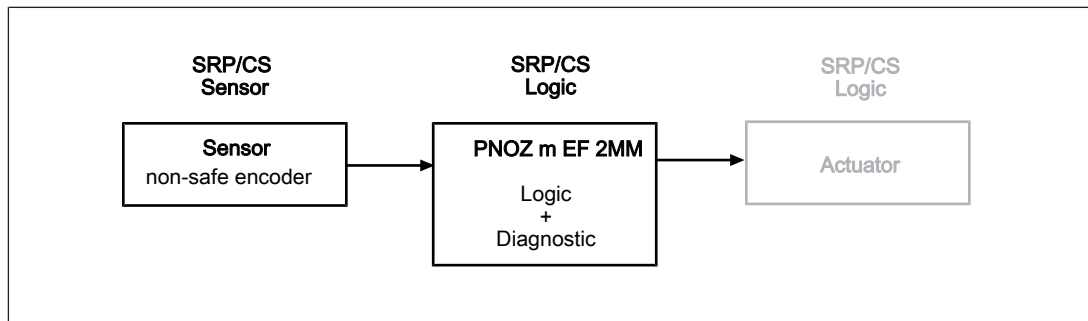
NOTICE

The signal tracks Cos and Sin must be generated independently. This means that the sine and cosine signals in the encoder must be conducted in independent channels, from the optics to the interface.

The two signal tracks must not be generated by a common processor.

One signal may not be derived from the other signal via an electronic circuit.

9.1.4.2 Safety-related architecture



To calculate the safety function you will need the following data for the "sensor" subsystem and the subsystem PNOZ m EF 2MM:

Sensor			Subsystem PNOZ m EF 2MM	
Category	MTTFd	DC	Operating mode	PFH (1/h)
2	Manufacturer-specific	90 %	Monitoring 1 sensor	1,83E-08

The values for **DC** refer to the standard EN 61508.

9.1.4.3 Achievable safety level

Monitoring function	PL in accordance with EN ISO 13849-1: 2006	SIL CL in accordance with EN IEC 62061
SOS-M SSR-M SDI-M SSM	PL d (Cat. 2)	2

9.1.5 Safety-related characteristic data for operation with non-safety-related encoder with diagnostics via the drive controller

The detection of sensor errors (diagnostics for the sensor subsystem via the evaluation device) can be supplemented with a drive controller.

9.1.5.1 Permitted sensor types and output signals

Permitted sensor types:

- ▶ Rotary non-safety-related encoders
- ▶ Linear non-safety-related encoders

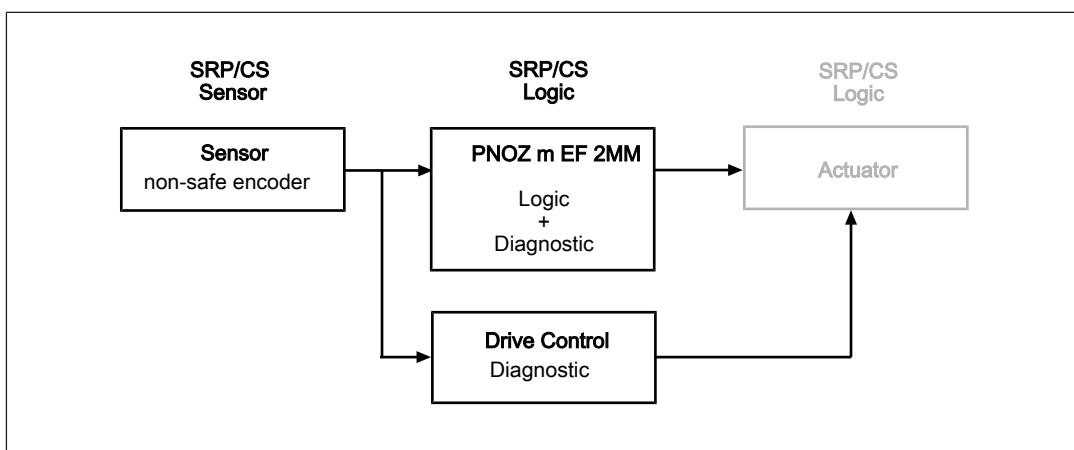
Permitted output signals:

- ▶ Square output signals TTL, single ended
- ▶ Square output signals TTL, differential
- ▶ Square output signals HTL, single ended
- ▶ Square output signals HTL, differential
- ▶ Sin/Cos output signals 1Vss, reference voltage
- ▶ Sin/Cos output signals 1Vss, differential

9.1.5.2 Requirements of the drive controller

- ▶ Parameters for the control loops and motor control must be set in such a way as to guarantee stable operation.
Drag error detection (see below) must be capable of operating in accordance with the requirements of the safety function.
- ▶ The motor must be operated with a current impressing control procedure, based on the rotor position (field-oriented control). If the analogue track signals are idle, field-oriented control will brake and/or stop the rotor.
- ▶ The drive controller must be in position control operating mode.
- ▶ If a maximum error variable is exceeded (set/true comparison) the drive controller must switch to a fault condition and stop the drive (drag error detection). The error reaction to drag error detection should be a controlled motor stop.
- ▶ Fault detection via the error variable with subsequent shutdown must meet the requirements of the safety function, with regard to reaction times for example.
- ▶ The drive controller must evaluate the same incremental/SinCos signals from the encoder for control as are processed by the safe evaluation device (important on encoders with combined analogue/digital interface).

9.1.5.3 Safety-related architecture



To calculate the safety function you will need the following data for the "sensor" subsystem and the subsystem PNOZ m EF 2MM:

Sensor			Subsystem PNOZ m EF 2MM	
Category	MTTFd	DC	Operating mode	PFH (1/h)
2	Manufacturer-specific	90 %	Monitoring 1 sensor	1,83E-08

The values for **DC** refer to the standard EN 61508.

9.1.5.4 Achievable safety level

Monitoring function	PL in accordance with EN ISO 13849-1: 2006	SIL CL in accordance with EN IEC 62061
SOS-M SSR-M SDI-M SSM	PL d (Cat. 2)	2

9.1.6 Safety-related characteristic data for operation with a safe encoder

Safe encoders are certified in accordance with EN 61508, EN 13849 and EN 62061. In order to achieve the safety level stated by the encoder, the safe evaluation device (PNOZ m EF 2MM) must normally detect designated errors. Details of the safe encoder's requirements of the evaluation device can be found in the user documentation for the safe encoder. The encoder and evaluation device must be compatible.

9.1.6.1 Permitted sensor types and output signals

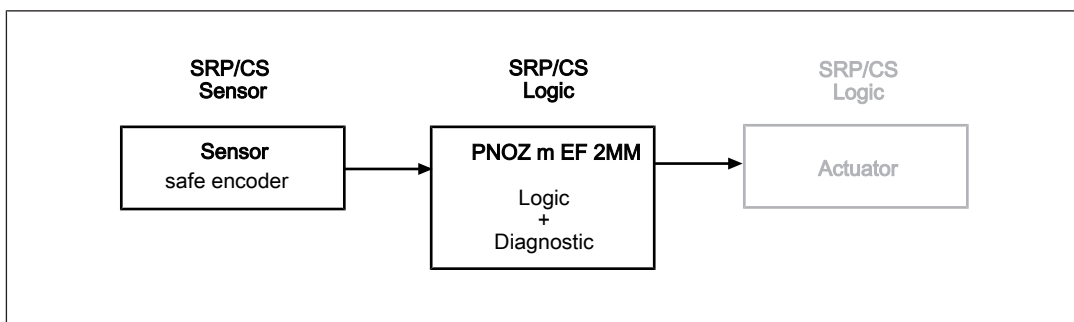
Permitted encoder types:

- ▶ Rotary safety-related encoders
- ▶ Linear safety-related encoders

Permitted output signals:

- ▶ Sin/Cos output signals 1Vss, reference voltage
- ▶ Sin/Cos output signals 1Vss, differential

9.1.6.2 Safety-related architecture



To calculate the safety function you will need the following data for the "sensor" subsystem and the subsystem PNOZ m EF 2MM:

Sensor			Subsystem PNOZ m EF 2MM	
PL	SIL	PFH (1/h)	Operating mode	PFH (1/h)
See manufacturer			Monitoring Safe sensor	2,69E-09

9.1.6.3 Achievable safety level

Monitoring function	PL in accordance with EN ISO 13849-1: 2006	SIL CL in accordance with EN IEC 62061
SOS-M SSR-M SDI-M SSM	PL e (Cat.4)	3

9.1.7 Safety-related characteristic data for operation with a safe encoder with Z index

Safe encoders are certified in accordance with EN 61508, EN 13849 and EN 62061. In order to achieve the safety level stated by the encoder, the safe evaluation device (PNOZ s30) must normally detect designated errors. Details of the safe encoder's requirements of the evaluation device can be found in the user documentation for the safe encoder. The encoder and evaluation device must be compatible.

9.1.7.1 Permitted sensor types and output signals

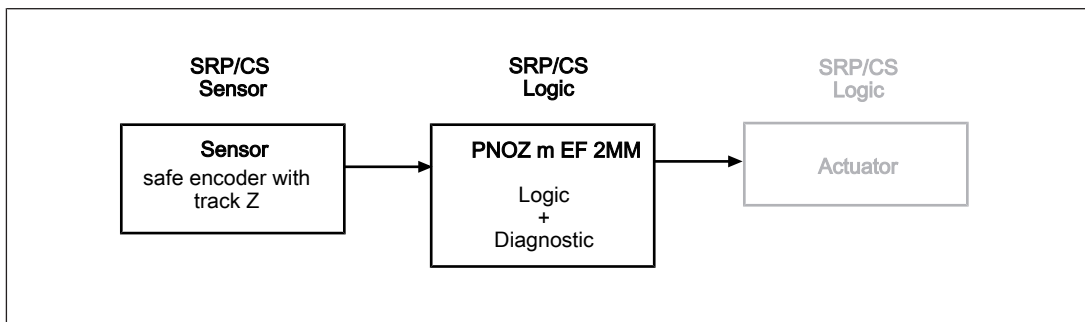
Permitted encoder types:

- ▶ Rotary safety-related encoders
- ▶ Linear safety-related encoders

Permitted output signals:

- ▶ Square output signals TTL, differential with Z index
- ▶ Square output signals HTL, differential with Z index
- ▶ Sin/Cos output signals 1Vss, reference voltage with Z index
- ▶ Sin/Cos output signals 1Vss, differential with Z index

9.1.7.2 Safety-related architecture



To calculate the safety function you will need the following data for the "sensor" subsystem and the subsystem PNOZ m EF 2MM:

Sensor			Subsystem PNOZ m EF 2MM	
PL	SIL	PFH (1/h)	Operating mode	PFH (1/h)
See manufacturer			Monitoring 2 sensors	1,35E-09

9.1.7.3 Achievable safety level

Monitoring function	PL in accordance with EN ISO 13849-1: 2006	SIL CL in accordance with EN IEC 62061
SOS-M SSR-M SDI-M SSM	PL e (Cat.4)	3

9.1.8 Safety-related characteristic data for operation with non-safety-related encoder and proximity switch

The speed monitoring of the non-safety-related encoder can be verified via an additional reference sensor.

9.1.8.1 Permitted sensor types and output signals**Non-safety-related encoder**

Permitted encoder types:

- ▶ Rotary non-safety-related encoders
- ▶ Linear non-safety-related encoders

Permitted output signals:

- ▶ Square output signals TTL, single ended
- ▶ Square output signals TTL, differential
- ▶ Square output signals HTL, single ended
- ▶ Square output signals HTL, differential
- ▶ Sin/Cos output signals 1V_{ss}, reference voltage
- ▶ Sin/Cos output signals 1V_{ss}, differential

Reference sensor

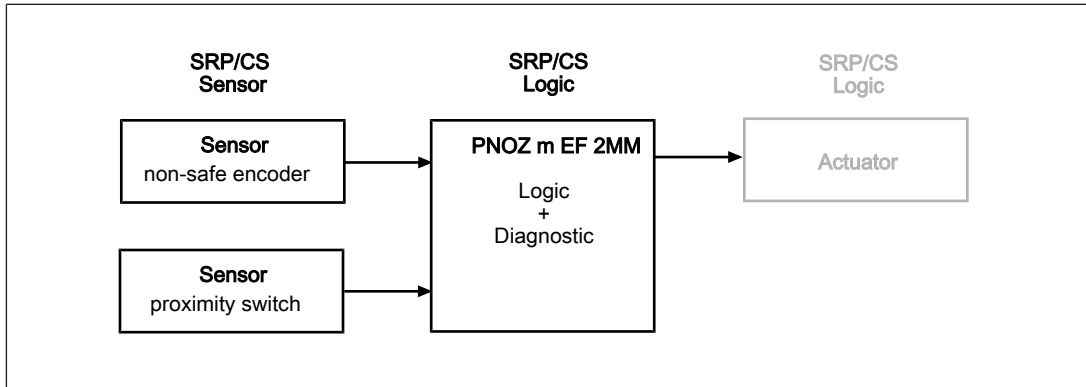
Permitted encoder types:

- ▶ Rotary non-safety-related encoders
- ▶ Linear non-safety-related encoders
- ▶ Inductive proximity switches

Permitted output signals:

- ▶ Square output signals HTL, single ended
- ▶ Square output signal 24 V, pnp

9.1.8.2 Safety-related architecture



To calculate the safety function you will need the following data for the "sensor" subsystem and the subsystem PNOZ m EF 2MM:

Sensor			Subsystem PNOZ m EF 2MM	
Category	MTTFd	DC	Operating mode	PFH (1/h)
4	Manufacturer-specific	90 %	Monitoring 2 sensors	1,35E-09

In a worst case scenario, the sensor subsystem's characteristic value MTTFd is calculated from the inferior (lower) value of the two sensors.

The values for **DC** refer to the standard EN 61508.

9.1.8.3 Achievable safety level

Monitoring function	PL in accordance with EN ISO 13849-1: 2006	SIL CL in accordance with EN IEC 62061
SOS-M SDI-M	PL c (Cat. 1)	-
SSR-M SSM	PL e (Cat.4)	3

Please note:

For the "sensor" subsystem, a minimum speed must be exceeded within forced dynamisation.

The minimum speed depends on the ratio of the frequency at tracks AB " f_{AB} " to the frequency at track Z " f_Z " in your configuration (see PNOZmulti Configurator **Element Motion Monitor**, value **Calculated Ratio AB/Z**) and is determined as follows:

- ▶ when **f_{AB}/f_Z Verh. ≥ 1.0**
 $f_Z = 10 \text{ mHz}$ or $f_{AB} = (f_{AB}/f_Z) \times 10 \text{ mHz}$
- ▶ when **f_{AB}/f_Z Verh. < 1.0**
 $f_{AB} = 10 \text{ mHz}$ or $f_Z = 10 \text{ mHz}/(f_{AB}/f_Z)$

At the very latest, a feasibility error will be detected when a tolerance expires. The tolerance level depends on the ratio of the frequency at tracks AB " f_{AB} " to the frequency at track Z " f_Z " in your configuration (**f_{AB}/f_Z Verh.** setting in the menu) and is calculated as follows:

- ▶ when **f_{AB}/f_Z Verh.** ≥ 1.0
7.5 Z-pulses or $7.5 \times (f_{AB}/f_Z)$ AB-pulses
- ▶ when **f_{AB}/f_Z Verh.** < 1.0
4.5 AB-pulses or $4.5/(f_{AB}/f_Z)$ Z-pulses

9.1.9 Safety-related characteristic data for operation with 2 proximity switches

9.1.9.1 Permitted sensor types and output signals

Non-safety-related sensor

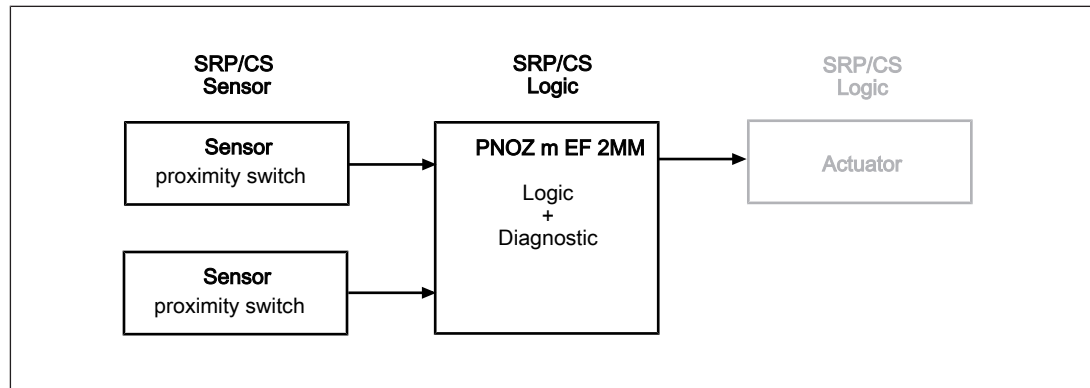
Permitted sensor types:

- ▶ Inductive proximity switches

Permitted output circuits:

- ▶ pnp
- ▶ npn

9.1.9.2 Safety-related architecture



To calculate the safety function you will need the following data for the "sensor" subsystem and the subsystem PNOZ m EF 2MM:

Sensor			Subsystem PNOZ m EF 2MM	
Category	MTTFd	DC	Operating mode	PFH (1/h)
4	Manufacturer-specific	90 %	Monitoring 2 sensors	1,35E-09

In a worst case scenario, the sensor subsystem's characteristic value MTTFd is calculated from the inferior (lower) value of the two sensors.

The values for **DC** refer to the standard EN 61508.

9.1.9.3 Achievable safety level

Monitoring function	PL in accordance with EN ISO 13849-1: 2006	SIL CL in accordance with EN IEC 62061
SOS-M SDI-M	-	-
SSR-M SSM	PL e (Cat.4)	3

Please note:

Common cause failures (CCF) are possible for the sensor subsystem. An appropriate analysis must be carried out.

To use proximity switches 1 and 2 we recommend that you:

- ▶ Use different technologies/design or physical principles (e.g. different manufacturers) and
- ▶ Evaluate the sensor supply via track S

10 Order reference

10.1 Product

Product type	Features	Order no.
PNOZ m EF 2MM	Expansion module	772 171

10.2 Accessories

Connection terminals

Product type	Features	Order no.
Spring terminals PNOZ 2MM 1 set	Spring-loaded terminals, 1 pieces	783 544
Screw terminals PNOZ 2MM 1 set	Screw terminals, 1 piece	793 544

Terminator, jumper

Product type	Features	Order no.
PNOZ mm0.xp connector left	Jumper yellow/black to connect the modules, 1 piece	779 260

Adapter cable

Product type	Features	Order no.
MM A MINI-IO-CAB01	1.50 m	772 200
MM A MINI-IO-CAB01	2.50 m	772 201
MM A MINI-IO-CAB01	5.0 m	772 202

► Support

Technical support is available from Pilz round the clock.

Americas

Brazil
+55 11 97569-2804

Canada
+1 888-315-PILZ (315-7459)

Mexico
+52 55 5572 1300

USA (toll-free)
+1 877-PILZUSA (745-9872)

Asia

China
+86 21 60880878-216

Japan
+81 45 471-2281

South Korea
+82 31 450 0680

Australia

+61 3 95446300

Europe

Austria
+43 1 7986263-0

Belgium, Luxembourg
+32 9 3217575

France
+33 3 88104000

Germany
+49 711 3409-444

Ireland
+353 21 4804983

Italy
+39 0362 1826711

Scandinavia

+45 74436332

Spain

+34 938497433

Switzerland

+41 62 88979-30

The Netherlands

+31 347 320477

Turkey

+90 216 5775552

United Kingdom

+44 1536 462203

You can reach our international hotline on:

+49 711 3409-444
support@pilz.com

Pilz develops environmentally-friendly products using ecological materials and energy-saving technologies. Offices and production facilities are ecologically designed, environmentally-aware and energy-saving. So Pilz offers sustainability, plus the security of using energy-efficient products and environmentally-friendly solutions.



Pilz GmbH & Co. KG
Felix-Wankel-Straße 2
73760 Ostfildern, Germany
Tel.: +49 711 3409-0
Fax: +49 711 3409-133
info@pilz.com
www.pilz.com

