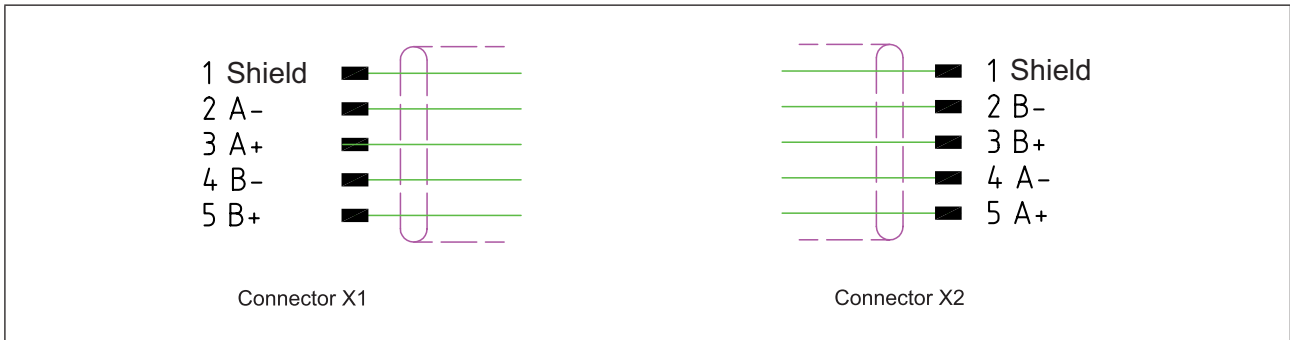


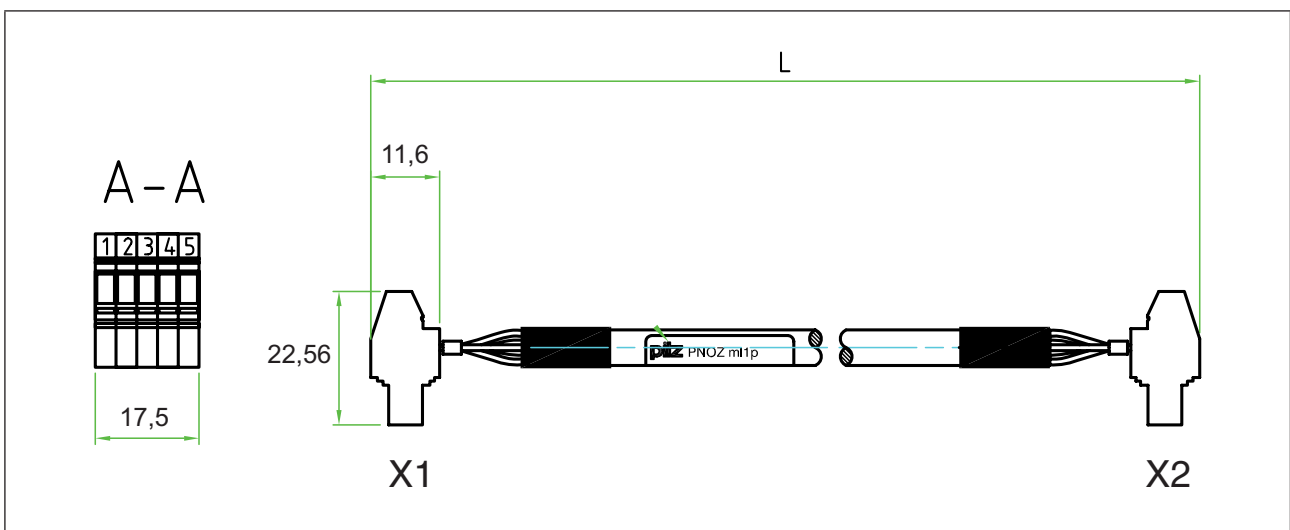
## PNOZ mli1p

### Connector pin assignment



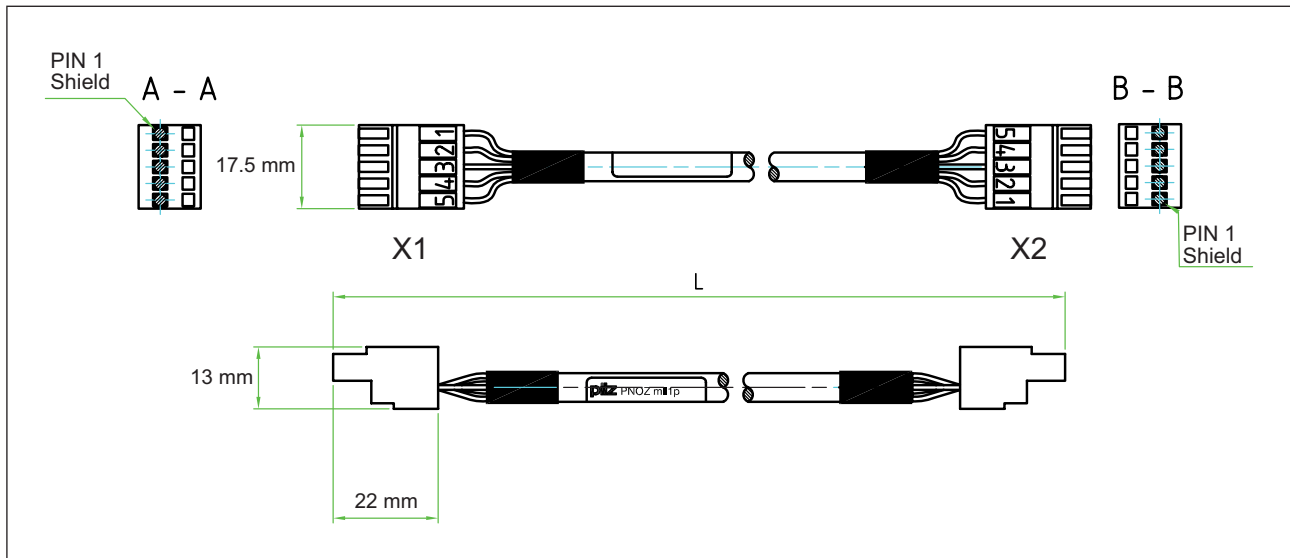
### Dimensions

▶ Screw terminals:



## PNOZ mli1p

► **Spring-loaded terminals:**



### Technical details

#### Order no. 773890 – 773893

See below for more order numbers

Mechanical data	773890	773891	773892	773893
Plug connector X1	5-pin female connector	5-pin female connector	5-pin female connector	5-pin female connector
Plug connector X2	5-pin female connector	5-pin female connector	5-pin female connector	5-pin female connector
Housing material X1	PBT	PBT	PBT	PBT
Housing material X2	PBT	PBT	PBT	PBT
Material of contact surface	Tin-plated	Tin-plated	Tin-plated	Tin-plated
Socket material	Cu alloy	Cu alloy	Cu alloy	Cu alloy
Cable length L	5,00 m	10,00 m	50,00 m	5,00 m
Colour of external cable insulation	Grey	Grey	Grey	Grey
Suitable for drag chains	No	No	No	No
Wire colour	In accordance with TIA/EIA 568 B	In accordance with TIA/EIA 568 B	In accordance with TIA/EIA 568 B	In accordance with TIA/EIA 568 B
Shielding	Yes	Yes	Yes	Yes
Wire layer separation	Yes	Yes	Yes	Yes
No. of wires	5	5	5	5

## PNOZ mli1p

Mechanical data	773890	773891	773892	773893
Approval for plug connector X1	UL94 V-0	UL94 V-0	UL94 V-0	UL94 V-0
Approval for plug connector X2	UL94 V-0	UL94 V-0	UL94 V-0	UL94 V-0
Protection type				
X1 when inserted	IP20	IP20	IP20	IP20
X2 when inserted	IP20	IP20	IP20	IP20
Dimensions				
Height	22,6 mm	22,6 mm	22,6 mm	22,0 mm
Width	17,5 mm	17,5 mm	17,5 mm	17,5 mm
Depth	11,6 mm	11,6 mm	11,6 mm	13,0 mm
Weight	167 g	273 g	1.560 g	145 g

### Order no. 773894 – 773897

Mechanical data	773894	773895	773896	773897
Plug connector X1	5-pin female connector	5-pin female connector	5-pin female connector	5-pin female connector
Plug connector X2	5-pin female connector	5-pin female connector	5-pin female connector	5-pin female connector
Housing material X1	PBT	PBT	PBT	PBT
Housing material X2	PBT	PBT	PBT	PBT
Material of contact surface	Tin-plated	Tin-plated	Tin-plated	Tin-plated
Socket material	Cu alloy	Cu alloy	Cu alloy	Cu alloy
Cable length L	10,00 m	50,00 m	1,50 m	1,50 m
Colour of external cable insulation	Grey	Grey	Grey	Grey
Suitable for drag chains	No	No	No	No
Wire colour	In accordance with TIA/EIA 568 B	In accordance with TIA/EIA 568 B	In accordance with TIA/EIA 568 B	In accordance with TIA/EIA 568 B
Shielding	Yes	Yes	Yes	Yes
Wire layer separation	Yes	Yes	Yes	Yes
No. of wires	5	5	5	5
Approval for plug connector X1	UL94 V-0	UL94 V-0	UL94 V-0	UL94 V-0
Approval for plug connector X2	UL94 V-0	UL94 V-0	UL94 V-0	UL94 V-0

## PNOZ mli1p

Mechanical data	773894	773895	773896	773897
Protection type				
X1 when inserted	IP20	IP20	IP20	IP20
X2 when inserted	IP20	IP20	IP20	IP20
Dimensions				
Height	22,0 mm	22,0 mm	22,0 mm	22,6 mm
Width	17,5 mm	17,5 mm	17,5 mm	17,5 mm
Depth	13,0 mm	13,0 mm	13,0 mm	11,6 mm
Weight	308 g	1.672 g	49 g	54 g

### Order reference

Order reference				
Product type	Features	Connector X1	Connector X2	Order no.
PNOZ mli1p 5m screw	5 m	5-pin female connector	5-pin female connector	773 890
PNOZ mli1p 10m screw	10 m	5-pin female connector	5-pin female connector	773 891
PNOZ mli1p 50m screw	50 m	5-pin female connector	5-pin female connector	773 892
PNOZ mli1p 5m spring	5 m	5-pin female connector	5-pin female connector	773 893
PNOZ mli1p 10m spring	10 m	5-pin female connector	5-pin female connector	773 894
PNOZ mli1p 50m spring	50 m	5-pin female connector	5-pin female connector	773 895
PNOZ mli1p 1.5m spring	1.5 m	5-pin female connector	5-pin female connector	773 896
PNOZ mli1p 1.5m screw	1.5 m	5-pin female connector	5-pin female connector	773 897