



## PNOZ msi22Ap

**PILZ**  
THE SPIRIT OF SAFETY

► Accessories PNOZmulti

This document is the original document.

All rights to this documentation are reserved by Pilz GmbH & Co. KG. Copies may be made for the user's internal purposes. Suggestions and comments for improving this documentation will be gratefully received.

Source code from third-party manufacturers or open source software has been used for some components. The relevant licence information is available on the Internet on the Pilz homepage.

Pilz®, PIT®, PMI®, PNOZ®, Primo®, PSEN®, PSS®, PVIS®, SafetyBUS p®, SafetyEYE®, SafetyNET p®, the spirit of safety® are registered and protected trademarks of Pilz GmbH & Co. KG in some countries.



SD means Secure Digital

## Description

The connection cable PNOZ msi22Ap is used to connect an encoder to the speed monitors PNOZ ms2p, PNOZ ms3p, PNOZ ms4p or PNOZ s30.

The connection to the speed monitor is made via the RJ45 connector.



### INFORMATION

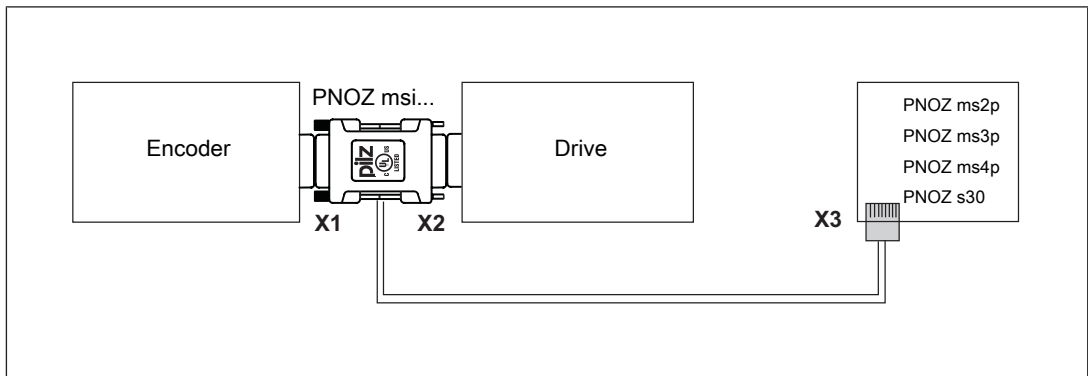
Remove the protective cover of the RJ45 connector after installation in the control cabinet.



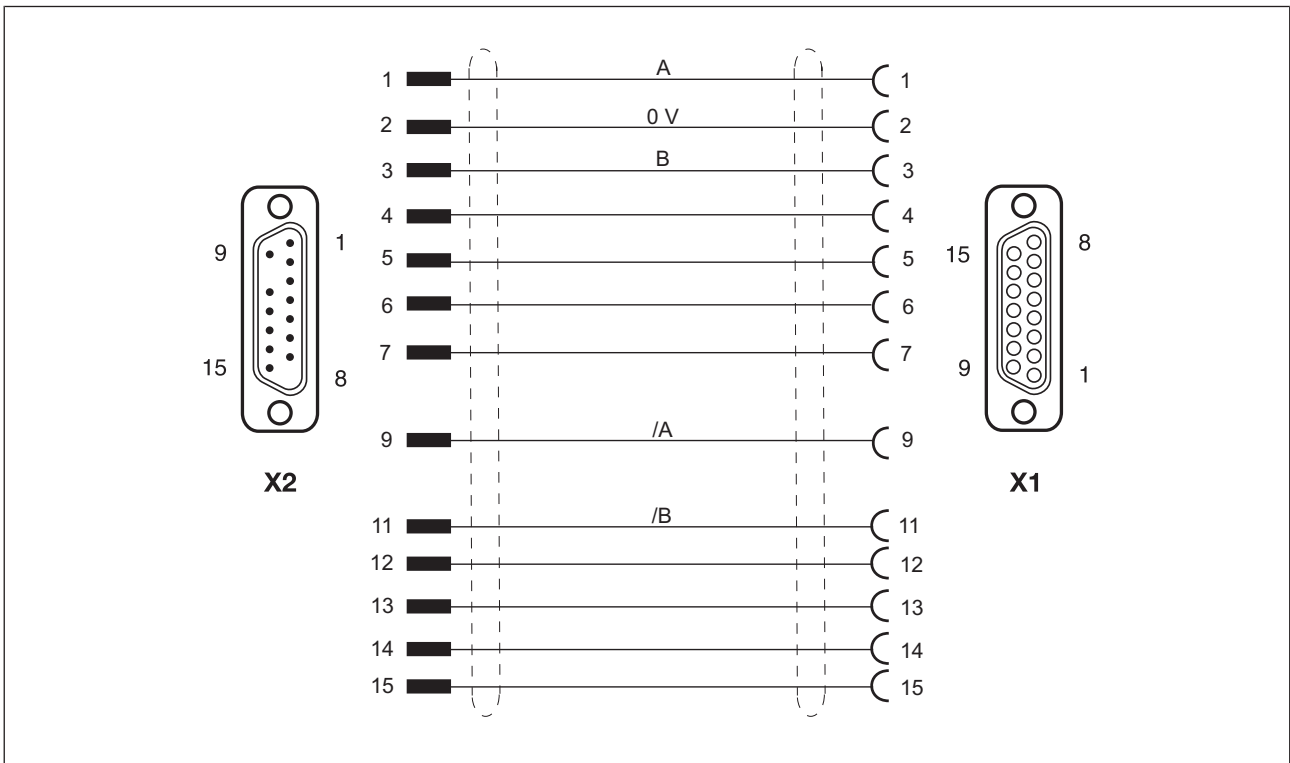
### CAUTION!

Communication errors may occur if the adapter cable is too long or there are any external sources of interference. Use an adapter cable that's less than 5 m in length. Lay the adapter cable separately from any potential sources of interference, such as drive cables leading to the motor, for example.

## Connection



### Connector pin assignment



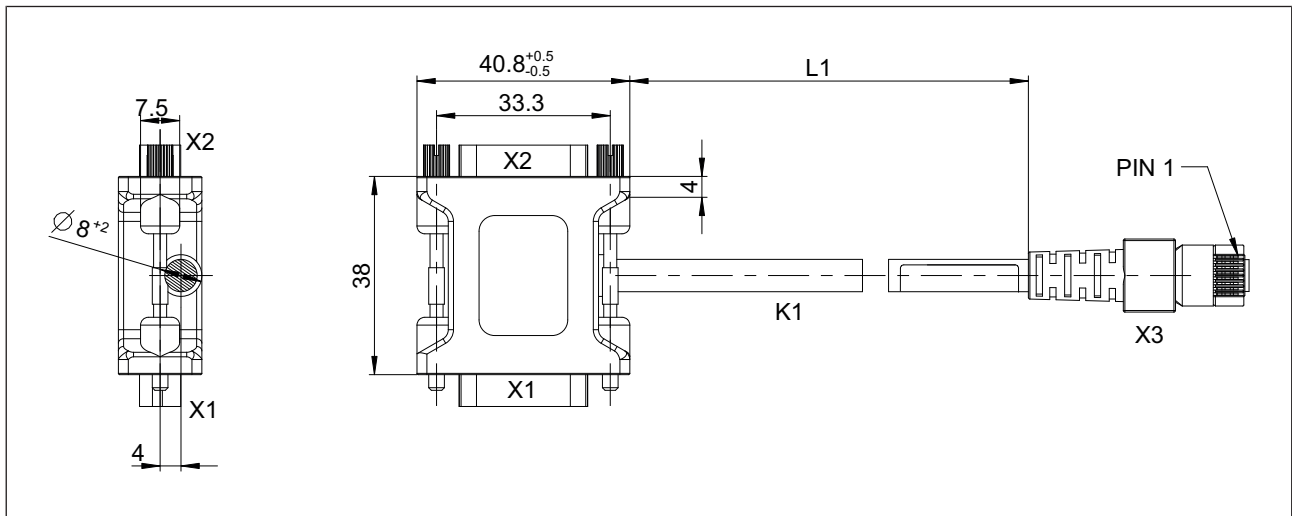
X3	Pin	Track
	1	n.c.
	2	0 V
	3	n.c.
	4	A
	5	/A
	6	n.c.
	7	B
	8	/B



**INFORMATION**

The signals Z and /Z for the speed monitor PNOZ s30 are not recorded.

## Dimensions



## Technical details

### General

Certifications **cULus Listed**

### Electrical data

Operating voltage **30 V**

Insulation resistance **10 MOhm**

### Environmental data

Ambient temperature

Temperature range **0 - 60 °C**

Temperature range (moving) **0 - 60 °C**

Storage temperature

Temperature range **-25 - 70 °C**

Condensation during operation

**Not permitted**

Protection type

X1 when inserted **IP20**

X2 when inserted **IP20**

X3 when inserted **IP20**

Housing **IP20**

Mounting area (e.g. control cabinet) **IP54**

### Mechanical data

Plug-in connector X1 **15-pin D-Sub female connector**

Form, plug-in connector X1 **Straight**

Plug-in connector X2 **15-pin D-Sub male connector**

Form, plug-in connector X2 **Straight**

Plug-in connector X3 **8-pin RJ45 male connector**

Design of plug-in connector X3 **Straight**

Fixing screws **UNC 4-40**

Housing material X1 **Nickel steel, tin-plated**

<b>Mechanical data</b>	
Housing material X2	<b>Nickel steel, tin-plated</b>
Housing material X3	<b>PBT</b>
Material of contact surface X1	<b>Au</b>
Material of contact surface X2	<b>Au</b>
Material of contact surface X3	<b>Au</b>
Material of pin	<b>Cu alloy</b>
Material of socket	<b>Cu alloy</b>
Mating cycles X1	<b>50</b>
Mating cycles X2	<b>50</b>
Mating cycles X3	<b>1500</b>
Cable length L1	<b>2,5 m</b>
Cable length tolerance K1	<b>+/- 0,15 m</b>
Colour of external cable insulation K1	<b>Green, similar to RAL6018</b>
Colour of housing	<b>Black RAL 9005</b>
Cable insulation material K1	<b>PUR</b>
Drag chain suitable K1	<b>yes</b>
Min. bending radius (fixed permanently) K1	<b>8 x Ø</b>
Min. bending radius (moving) K1	<b>10 x Ø</b>
Cable diameter K1	<b>5,8 mm</b>
Max. cable diameter K1	<b>6 mm</b>
Conductor cross section K1	<b>0,14 mm<sup>2</sup></b>
Conductor cross section AWG K1	<b>26</b>
Wire colour K1	<b>White, brown, green, yellow, grey, pink, blue, red</b>
Shielding K1	<b>yes</b>
Wire layer separation K1	<b>No</b>
No. of wires K1	<b>8</b>
Certification cable K1	<b>UL AWM-Style 20233</b>
Certification plug-in connector X1	<b>UL94 V-0</b>
Certification plug-in connector X2	<b>UL94 V-0</b>
Certification plug-in connector X3	<b>UL94 V-0</b>
Material	
Housing	<b>TPE-SEBS UL 94 HB</b>
Dimensions	
Height	<b>38 mm</b>
Width	<b>40,8 mm</b>
Depth	<b>16 mm</b>
Weight	<b>158 g</b>

### Order reference

<b>Product type</b>	<b>Features</b>	<b>Connector X1</b>	<b>Connector X2</b>	<b>Connector X3</b>	<b>Order no.</b>
PNOZ MSI22AP ADAPTER B&R ACOPOS 2,5m	2.5 m	15-pin D-Sub female con- nector	15-pin D-Sub male connector	8-pin RJ45 male connector	773 832

