



PNOZ msi S09, S15, S25

PILZ
THE SPIRIT OF SAFETY

► Accessories PNOZmulti

This document is the original document.

All rights to this documentation are reserved by Pilz GmbH & Co. KG. Copies may be made for the user's internal purposes. Suggestions and comments for improving this documentation will be gratefully received.

Source code from third-party manufacturers or open source software has been used for some components. The relevant licence information is available on the Internet on the Pilz homepage.

Pilz®, PIT®, PMI®, PNOZ®, Primo®, PSEN®, PSS®, PVIS®, SafetyBUS p®, SafetyEYE®, SafetyNET p®, the spirit of safety® are registered and protected trademarks of Pilz GmbH & Co. KG in some countries.



SD means Secure Digital

Description

The PNOZ msi connector sets are used to create a connection cable/adapter cable to connect an encoder to the speed monitors

- ▶ PNOZ ms1p
- ▶ PNOZ ms2p
- ▶ PNOZ ms3p
- ▶ PNOZ ms4p
- ▶ PNOZ s30
- ▶ PNOZ m EF 1MM
- ▶ PNOZ m EF 2MM
- ▶ PSSu K F EI

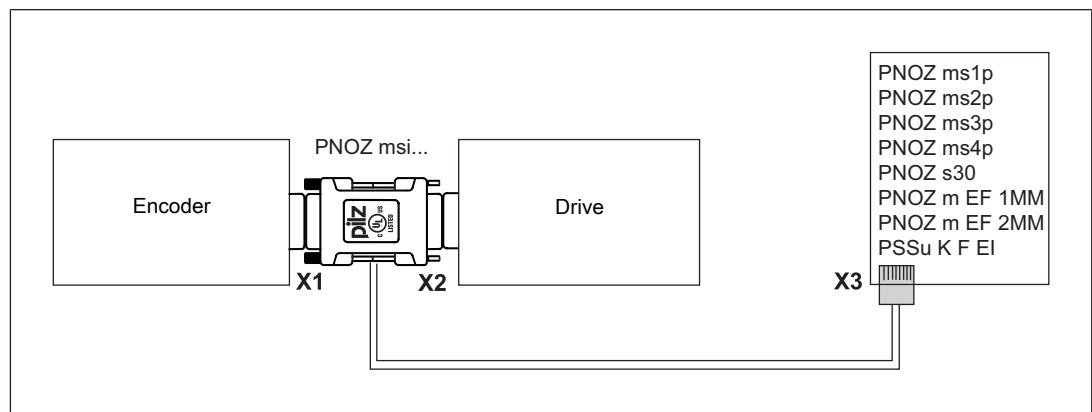
The contacts on the female D-SUB connector and the male D-SUB connector are connected via the PCB and they have the same assignment. The signals that are relevant for the speed monitor are recorded in parallel and are fed to the RJ45 connector or the MINI-IO connector via the cable (Pilz adapter cable see [Order reference for accessories \[6\]](#)).



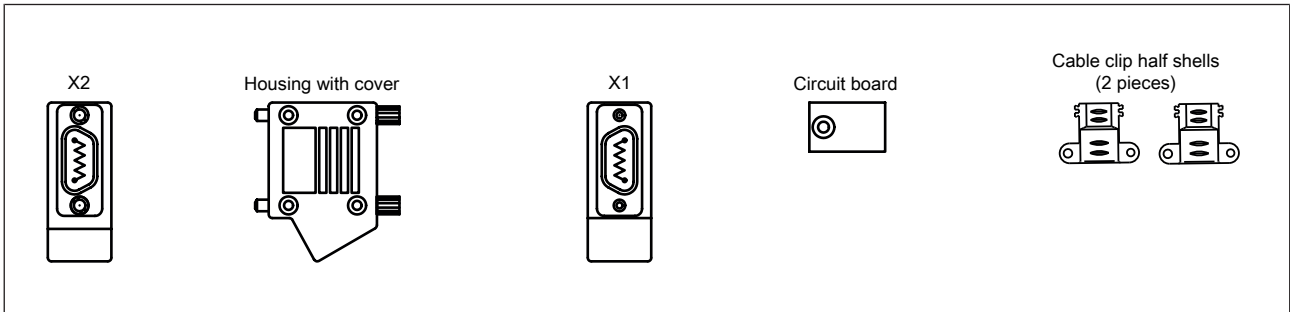
CAUTION!

Communication errors may occur if the adapter cable is too long or there are any external sources of interference. Use an adapter cable that's less than 5 m in length. Lay the adapter cable separately from any potential sources of interference, such as drive cables leading to the motor, for example.

Connection

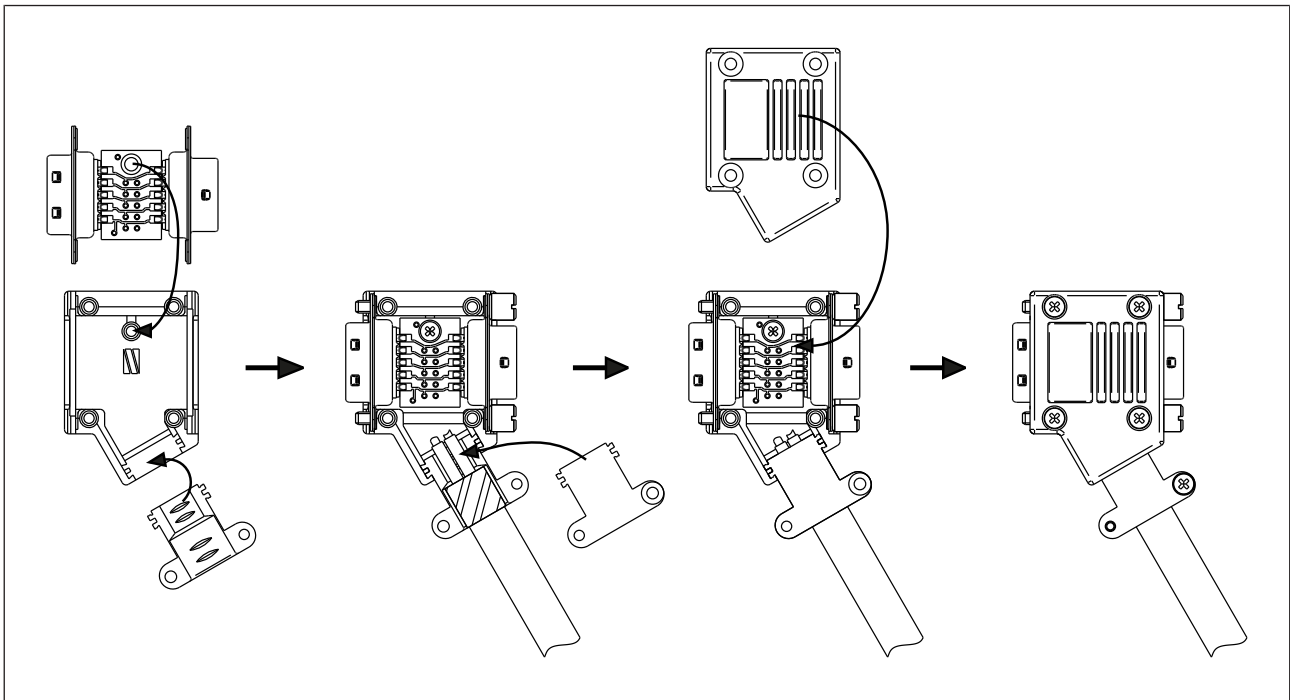


Installation



To install the system, proceed as follows:

- ▶ Solder the D-SUB female connector strip (X1) and the D-SUB connector strip (X2) to the circuit board.
- ▶ Take the cover off the housing.
- ▶ Place the circuit board and a cable clip half shell into the housing.
- ▶ Solder the individual wires of the cable (depending on the required pin assignment) to the circuit board.
- ▶ Ensure that the cable braided screening is connected firmly with the cable clip.
- ▶ Place the second cable clip half shell into the housing and screw them together.
- ▶ Place the cover on the housing and screw it down.



The cable clip is suitable for cables with a diameter of 3 mm - 12 mm

Technical details

General	773870	773871	773872
Certifications	-	-	-
Electrical data	773870	773871	773872
Test voltage	1.000 V	1.000 V	1.000 V
Insulation resistance	1000 MOhm	1000 MOhm	1000 MOhm
Volume resistance	20 mOhm	20 mOhm	20 mOhm
Environmental data	773870	773871	773872
Ambient temperature			
Temperature range	0 - 60 °C	0 - 60 °C	0 - 60 °C
Storage temperature			
Temperature range	-25 - 70 °C	-25 - 70 °C	-25 - 70 °C
Condensation during operation	Not permitted	Not permitted	Not permitted
Protection type			
Mounting area (e.g. control cabinet)	IP54	IP54	IP54
Housing	IP40	IP40	IP40
Mechanical data	773870	773871	773872
Plug-in connector X1	9-pin D-Sub male connector	15-pin D-Sub male connector	25-pin D-Sub male connector
Plug-in connector X2	9-pin D-Sub female connector	15-pin D-Sub female connector	25-pin D-Sub female connector
Fixing screws	UNC 4-40	UNC 4-40	UNC 4-40
Housing material X1	Steel	Steel	Steel
Housing material X2	Steel	Steel	Steel
Material of contact surface X1	Au	Au	Au
Material of contact surface X2	Au	Au	Au
Material of pin	Cu alloy	Cu alloy	Cu alloy
Material of socket	Cu alloy	Cu alloy	Cu alloy
Mating cycles X1	50	50	50
Mating cycles X2	50	50	50
Certification plug-in connector X1	UL94 V-0	UL94 V-0	UL94 V-0
Certification plug-in connector X2	UL94 V-0	UL94 V-0	UL94 V-0
Material			
Housing	Zn	Zn	Zn
Dimensions			
Height	44 mm	52,3 mm	66,2 mm
Width	30 mm	30 mm	30 mm
Depth	17,6 mm	17,6 mm	17,6 mm
Weight	80 g	89 g	106 g

Order reference

Product

Product type	Features	Connector X1	Connector X2	Connector X3	Order no.
PNOZ msi S09		9-pin D-Sub male connector	9-pin D-Sub female connector		773 870
PNOZ msi S15		15-pin D-Sub male connector	15-pin D-Sub female connector		773 871
PNOZ msi S25		25-pin D-Sub male connector	25-pin D-Sub female connector		773 872

Accessories

Product type	Features	Connector X1	Connector X2	Connector X3	Order no.
PNOZ msi 9p adapter cable 5m	5 m	8-pin RJ45 male connector			773 856
PNOZ msi10p adapter cable 2.5m	2.5 m	8-pin RJ45 male connector			773 854
PNOZ msi11p adapter cable 1.5m	1.5 m	8-pin RJ45 male connector			773 855
MM A MINI-IO CAB99 1.5m	1.5 m	8-pin Mini-IO male connector			772 200
MM A MINI-IO CAB99 2.5m	2.5 m	8-pin Mini-IO male connector			772 201
MM A MINI-IO CAB99 5.0m	5 m	8-pin Mini-IO male connector			772 202

► Support

Technical support is available from Pilz round the clock.

Americas

Brazil

+55 11 97569-2804

Canada

+1 888-315-PILZ (315-7459)

Mexico

+52 55 5572 1300

USA (toll-free)

+1 877-PILZUSA (745-9872)

Asia

China

+86 21 60880878-216

Japan

+81 45 471-2281

South Korea

+82 31 450 0680

Australia

+61 3 95600621

Europe

Austria

+43 1 7986263-0

Belgium, Luxembourg

+32 9 3217575

France

+33 3 88104000

Germany

+49 711 3409-444

Ireland

+353 21 4804983

Italy, Malta

+39 0362 1826711

Scandinavia

+45 74436332

Spain

+34 938497433

Switzerland

+41 62 88979-30

The Netherlands

+31 347 320477

Turkey

+90 216 5775552

United Kingdom

+44 1536 462203

You can reach our international hotline on:

+49 711 3409-444

support@pilz.com

Pilz develops environmentally-friendly products using ecological materials and energy-saving technologies. Offices and production facilities are ecologically designed, environmentally-aware and energy-saving. So Pilz offers sustainability, plus the security of using energy-efficient products and environmentally-friendly solutions.

Energy
saving by Pilz



Pilz GmbH & Co. KG
Felix-Wankel-Straße 2
73760 Ostfildern, Germany
Tel.: +49 711 3409-0
Fax: +49 711 3409-133
info@pilz.com
www.pilz.com

PILZ
THE SPIRIT OF SAFETY

CMSE®, IndurANET p®, PAS4000®, PASscal®, PASconfig®, Pilz®, PIT®, PLID®, PMCPirotego®, PMCiendo®, PMD®, PMi®, PNOZ®, Pirmo®, PSEN®, PSENi®, PSS®, PViS®, SafetyBUS SafetyEYE®, SafetyNET p®, THE SPIRIT OF SAFETY® are registered and protected trademarks of Pilz GmbH & Co. KG in some countries. We would point out that product features mentioned in the details stated in this document, depending on the status at the time of publication and the scope of the equipment. We accept no responsibility for the validity, accuracy and entirety of the text and graphics presented in this information. Please contact our Technical Support if you have any questions.