



PNOZ pe1p

PILZ
THE SPIRIT OF SAFETY

► Safety relays

This document is the original document.

Where unavoidable, for reasons of readability, the masculine form has been selected when formulating this document. We do assure you that all persons are regarded without discrimination and on an equal basis.

All rights to this documentation are reserved by Pilz GmbH & Co. KG. Copies may be made for the user's internal purposes. Suggestions and comments for improving this documentation will be gratefully received.

Pilz®, PIT®, PMI®, PNOZ®, Primo®, PSEN®, PSS®, PVIS®, SafetyBUS p®, SafetyEYE®, SafetyNET p®, the spirit of safety® are registered and protected trademarks of Pilz GmbH & Co. KG in some countries.



SD means Secure Digital

Introduction	4
Validity of documentation	4
Using the documentation	4
Definition of symbols	4
Safety	5
Intended use	5
Safety regulations	5
Safety assessment	5
Use of qualified personnel	6
Warranty and liability	6
Disposal	6
For your safety	6
Unit features	7
Safety features	7
Block diagram/terminal configuration	7
Function Description	8
Operating modes	8
Installation	9
Wiring	10
Preparing for operation	11
Operation	12
Status indicators	12
Faults – Interference	13
Dimensions in mm	13
Technical details	13
Safety characteristic data	15
Remove plug-in terminals	16
Order reference	17
EC declaration of conformity	17
UKCA-Declaration of Conformity	17

Introduction

Validity of documentation

This documentation is valid for the product PNOZ pe1p. It is valid until new documentation is published.

This operating manual explains the function and operation, describes the installation and provides guidelines on how to connect the product.

Using the documentation

This document is intended for instruction. Only install and commission the product if you have read and understood this document. The document should be retained for future reference.

Definition of symbols

Information that is particularly important is identified as follows:



DANGER!

This warning must be heeded! It warns of a hazardous situation that poses an immediate threat of serious injury and death and indicates preventive measures that can be taken.



WARNING!

This warning must be heeded! It warns of a hazardous situation that could lead to serious injury and death and indicates preventive measures that can be taken.



CAUTION!

This refers to a hazard that can lead to a less serious or minor injury plus material damage, and also provides information on preventive measures that can be taken.



NOTICE

This describes a situation in which the product or devices could be damaged and also provides information on preventive measures that can be taken. It also highlights areas within the text that are of particular importance.



INFORMATION

This gives advice on applications and provides information on special features.

Safety

Intended use

The control module PNOZ pe1p, in conjunction with an expansion module from the PNOZ-power modular safety system, is used for the safety-related interruption of a safety circuit.


It is actuated by

- ▶ PSS range output modules
- ▶ PNOZelog range units
- ▶ PNOZ units with contact outputs.

The control module may only be used with units that evaluate a feedback loop.

Improper use

The following is deemed improper use in particular

- ▶ Any component, technical or electrical modification to the product,
- ▶ Use of the product outside the areas described in this operating manual,
- ▶ Use of the product outside the technical details (see [Technical details](#)  13).



NOTICE

EMC-compliant electrical installation

The product is designed for use in an industrial environment. The product may cause interference if installed in other environments. If installed in other environments, measures should be taken to comply with the applicable standards and directives for the respective installation site with regard to interference.

Safety regulations

Safety assessment

Before using a device, a safety assessment in accordance with the Machinery Directive is required.

The product as an individual component fulfils the functional safety requirements in accordance with EN ISO 13849 and EN 62061. However, this does not guarantee the functional safety of the overall plant/machine. To achieve the relevant safety level of the overall plant/machine's required safety functions, each safety function needs to be considered separately.

Use of qualified personnel

The products may only be assembled, installed, programmed, commissioned, operated, maintained and decommissioned by persons who are competent to do so.

A competent person is a qualified and knowledgeable person who, because of their training, experience and current professional activity, has the specialist knowledge required. To be able to inspect, assess and operate devices, systems and machines, the person has to be informed of the state of the art and the applicable national, European and international laws, directives and standards.

It is the company's responsibility only to employ personnel who

- ▶ Are familiar with the basic regulations concerning health and safety / accident prevention,
- ▶ Have read and understood the information provided in the section entitled Safety
- ▶ Have a good knowledge of the generic and specialist standards applicable to the specific application.

Warranty and liability

All claims to warranty and liability will be rendered invalid if

- ▶ The product was used contrary to the purpose for which it is intended,
- ▶ Damage can be attributed to not having followed the guidelines in the manual,
- ▶ Operating personnel are not suitably qualified,
- ▶ Any type of modification has been made (e.g. exchanging components on the PCB boards, soldering work etc.).

Disposal

- ▶ In safety-related applications, please comply with the mission time T_M in the safety-related characteristic data.
- ▶ When decommissioning, please comply with local regulations regarding the disposal of electronic devices (e.g. Electrical and Electronic Equipment Act).

For your safety

The unit meets all the necessary conditions for safe operation. However, please note the following:

- ▶ Note for overvoltage category III: If voltages higher than low voltage (>50 VAC or >120 VDC) are present on the unit, connected control elements and sensors must have a rated insulation voltage of at least 250 V.

Unit features

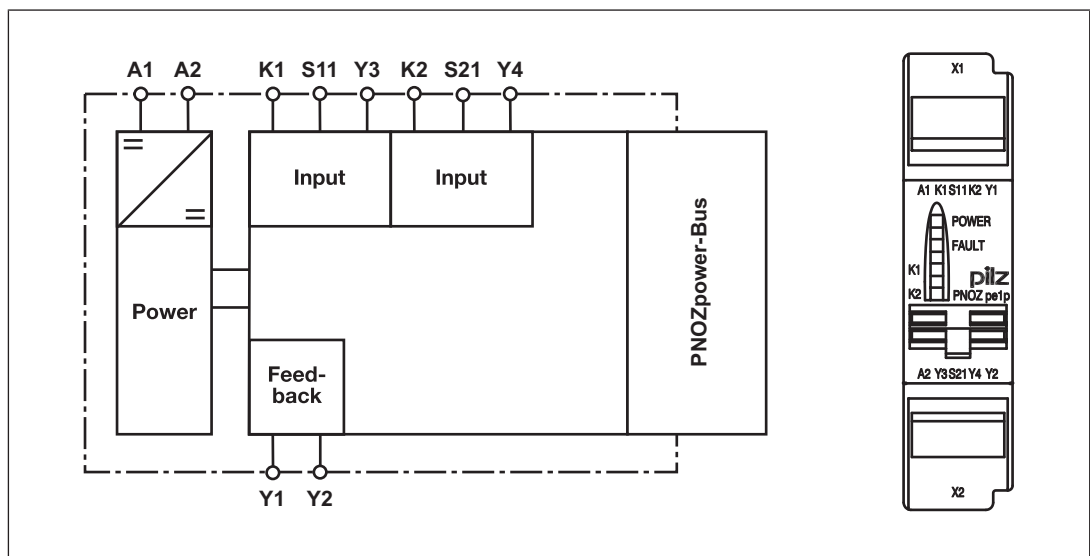
- ▶ Actuated via safety contacts or safe semiconductor outputs
- ▶ Expansion module control output via PNOZpower bus
- ▶ LED indicator for:
 - Supply voltage
 - Switch status channel 1
 - Switch status channel 2
 - Error
- ▶ Max. 4 expansion modules can be connected via jumpers
- ▶ Plug-in connection terminals

Safety features

The safety relay meets the following safety requirements:

- ▶ The circuit is redundant with built-in self-monitoring.
- ▶ The safety function remains effective in the case of a component failure.
- ▶ The correct opening and closing of the safety function relays is tested automatically in each on-off cycle.

Block diagram/terminal configuration



Function Description

The control module PNOZ pe1p, in conjunction with the expansion modules, is used to expand a safety circuit. It is driven from a master controller (e.g. safe outputs on a PSS). When operating voltage is supplied the "POWER" LED will light.

- ▶ 24 V DC are available at the terminals K1-Y3 and K2-Y4 (e.g. the PSS output has a high signal):
 - The LEDs "K1" and "K2" are lit.
 - At the expansion module control output connected to the PNOZpower bus there is a high signal. The unit is active.
- ▶ 0 V DC are available at the terminals K1-Y3 and K2-Y4 (e.g. the PSS output has a low signal):
 - The LEDs "K1" and "K2" go out.
 - At the expansion module control output connected to the PNOZpower bus there is a low signal.



NOTICE

When controlling an expansion module via the den PNOZpower bus the switch-on delay/delay-on de-energisation of the controlling device (e.g. base unit, control module, ...) and the expansion module are added together.

Operating modes

- ▶ Single-channel operation: No redundancy in the input circuit, earth faults in the input circuit are detected.
- ▶ Dual-channel operation with detection of shorts across contacts: Redundant input circuit, detects PNOZ pe1p
 - earth faults in the input circuit,
 - shorts across contacts in the input circuit.



NOTICE

When semiconductor outputs are used, the detection of shorts across contacts will depend on the master controller.

Installation

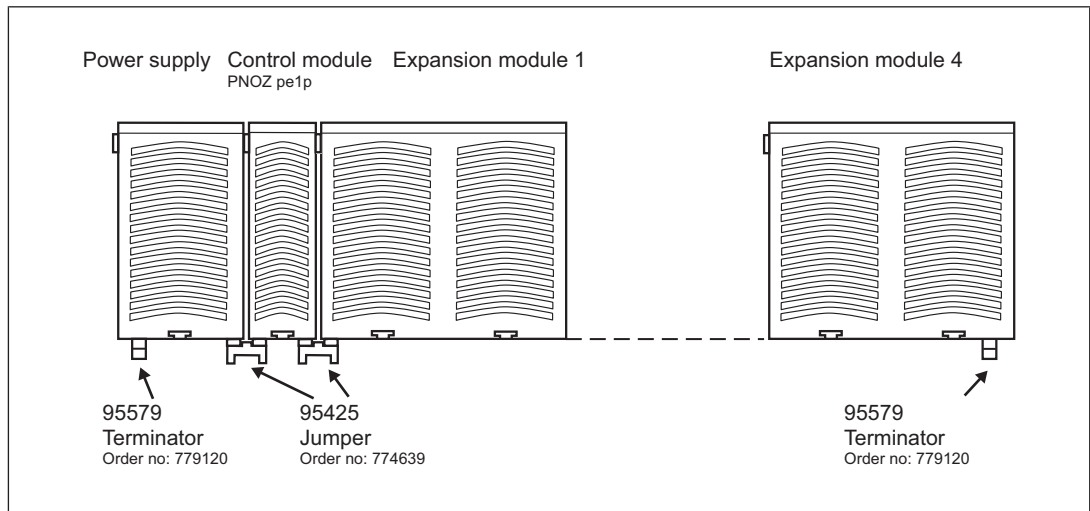
- ▶ The unit should be installed in a control cabinet with a protection type of at least IP54.
- ▶ Use the notches on the rear of the unit to attach it to a DIN rail.
- ▶ Fit the unit to a horizontal DIN rail. If other mounting positions are used, the switching capability values stated in the technical details cannot be maintained.
- ▶ There are 2 sockets on the rear of the PNOZ pe1p.
The base unit/control module and the expansion modules are connected using the jumpers supplied.



NOTICE

Always connect a terminator to the first and last device.

- ▶ Only use terminators, jumpers and terminals of the modular safety system PNOZpower.
- ▶ Layout:
 - The control module and the expansion modules can be installed in any position on the PNOZpower modular safety system.
- ▶ Maximum hardware:
 - 1 control module
 - 4 expansion modules
 - 1 power supply unit



WARNING!

Risk of electrocution!

When voltage is applied, contact with live components could result in serious or even fatal injury from an electric shock.

The plug-in connection terminals should only be connected and disconnected when the voltage is switched off.

Wiring

Please note:

- ▶ Information given in the "[Technical details \[13\]](#)" must be followed.
- ▶ Calculation of the max. cable length l_{\max} in the input circuit:

$$l_{\max} = \frac{R_{l_{\max}}}{R_l / \text{km}}$$

$R_{l_{\max}}$ = max. overall cable resistance (see [Technical details \[13\]](#))

R_l / km = cable resistance/km

- ▶ When driven via semiconductor outputs, the maximum cable runs will depend on the master controller.
- ▶ Use copper wiring with a temperature stability of 60/75 °C.
- ▶ To prevent EMC interferences (particularly common-mode interferences) the measures described in EN 60204-1 must be executed. This includes the separate routing of cables of the control circuits (input, start and feedback loop) from other cables for energy transmission or the shielding of cables, for example.
- ▶ The control module and the input circuits must always be supplied by a single power supply.
- ▶ Use the power supply PNOZ pps1p or an external power supply that complies with the regulations for extra low voltages with safe electrical separation (SELV, PELV).

Preparing for operation

Supply voltage	AC	DC



NOTICE

When the PNOZ pps1p power supply unit is used, the unit draws power via the PNOZpower bus. Do not connect an external supply voltage to A1 and A2!

Input circuit	Dual-channel	
without detection of shorts across contacts		
with detection of shorts across contacts		
Input circuit	Driven via semiconductor outputs	
single-channel		
Dual-channel		
Feedback loop	Driven via semiconductor outputs	Driven via safety contacts
	Terminal Y1 : + 24 V DC terminal Y2 : connect to a safe input on the master controller	Connect terminals Y1 and Y2 to the feedback loop on the safety relay.

Legend

- ▶ [1]: Digital outputs positive-/negative-switching
- ▶ [2]: Digital outputs positive-switching

Operation



NOTICE

The safety function should be checked after initial commissioning and each time the plant/machine is changed. The safety functions may only be checked by qualified personnel.

Status indicators

LEDs indicate the status and errors during operation:



LED on



POWER

Supply voltage is present.



K1

Channel 1 input circuit is closed.



K2

Channel 2 input circuit is closed.



FAULT

Internal error, wiring error or short across contacts



NOTICE

The electronic fuse and "FAULT" LED only work when terminal S11 is connected. Only then can the PNOZ pe1p detect shorts across contacts. If terminal S11 is not connected, the master controller must monitor for shorts across contacts.

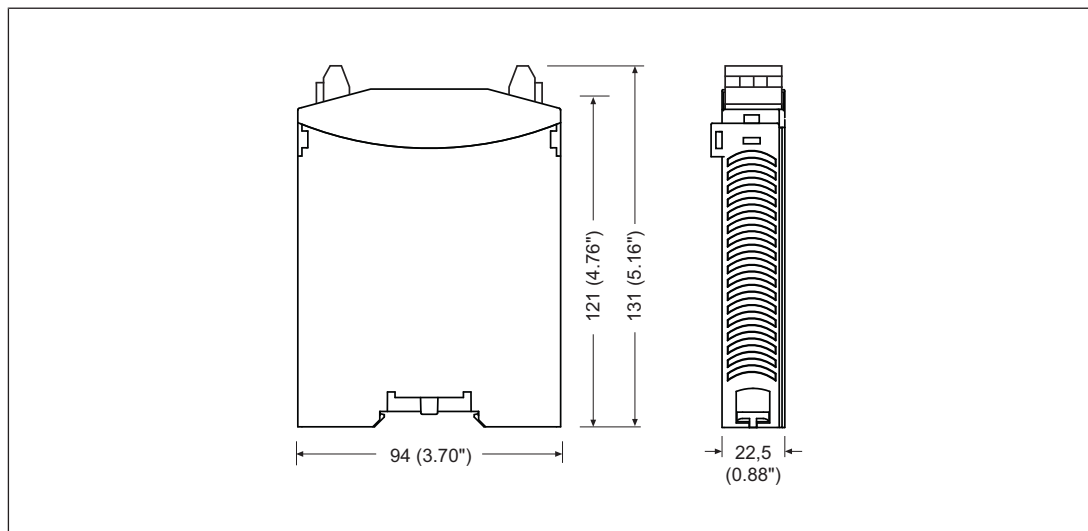
Faults – Interference

By closing or interrupting the input circuit you can check whether the unit switches on or off correctly.

For safety reasons, the control module cannot be started if the following faults are present:

- ▶ Contact malfunction: As the expansion module is connected to a base unit or a control module, reactivation will not be possible if the contacts have welded after the input circuit has opened.
- ▶ Open circuit, short circuit or earth fault (e.g. in the input circuit)

Dimensions in mm



Technical details

General

Certifications **CE, EAC, TÜV, UKCA, cULus Listed**

Electrical data

Supply voltage

Voltage	24 V
Kind	DC
Voltage tolerance	-15 %/+10 %
Power consumption	2 W
Residual ripple DC	160 %

Duty cycle **100 %**

Inputs

Number **2**

Voltage at

Input circuit DC	24 V
Start circuit DC	24 V
Feedback loop DC	24 V

Inputs

Current at

Input circuit DC	50 mA
Start circuit DC	50 mA
Feedback loop DC	50 mA

Max. overall cable resistance R_{lmax}

Dual-channel with detection of shorts across contacts at UB DC	30 Ohm
--	--------

Times

Switch-on delay

With automatic start after power on max.	10 ms
--	-------

Delay-on de-energisation

With E-STOP max.	30 ms
With power failure max.	30 ms

Recovery time at max. switching frequency 1/s

After E-STOP	30 ms
After power failure	30 ms

Supply interruption before de-energisation

Simultaneity, channel 1 and 2 max.	∞
------------------------------------	---

Environmental data

Climatic suitability	EN 60068-2-78
----------------------	---------------

Ambient temperature

Temperature range	-10 - 55 °C
-------------------	-------------

Storage temperature

Temperature range	-40 - 85 °C
-------------------	-------------

Climatic suitability

Humidity	93 % r. h. at 40 °C
----------	---------------------

Condensation during operation

EMC	EN 60947-5-1, EN 61000-6-2, EN 61326-3-1
-----	--

Vibration

In accordance with the standard	EN 60068-2-6
Frequency	10 - 55 Hz
Amplitude	0,35 mm

Airgap creepage

In accordance with the standard	EN 60947-1
Overvoltage category	III
Pollution degree	2

Rated insulation voltage

Rated impulse withstand voltage	0,8 kV
---------------------------------	--------

Protection type

Housing	IP30
Terminals	IP20
Mounting area (e.g. control cabinet)	IP54

Mechanical data

Mounting position	horizontally on mounting rail
-------------------	-------------------------------

Mechanical data

Material	
Bottom	PPO UL 94 V1
Top	ABS UL 94 V0
Connection type	Screw terminal
Mounting type	plug-in
Conductor cross section with screw terminals	
1 core flexible	0,2 - 2,5 mm², 24 - 12 AWG
2 core with the same cross section, flexible with crimp connectors, no plastic sleeve	0,2 - 1 mm², 24 - 16 AWG
2 core with the same cross section, flexible without crimp connectors or with TWIN crimp connectors	0,2 - 1,5 mm², 24 - 16 AWG
Torque setting with screw terminals	0,25 Nm
Stripping length with screw terminals	6 mm
Dimensions	
Height	94 mm
Width	22,5 mm
Depth	121 mm
Weight	170 g

Where standards are undated, the 2020-07 latest editions shall apply.

Safety characteristic data



NOTICE

You must comply with the safety characteristic data in order to achieve the required safety level for your plant/machine.

Operating mode	EN ISO 13849-1: 2015	EN ISO 13849-1: 2015	EN 62061 SIL CL	EN 62061 PFH ₀ [1/h]	IEC 61511 SIL	IEC 61511 PFD	EN ISO 13849-1: 2015 T _M [year]
–	PL e	Cat. 4	SIL CL 3	2,31E-09	SIL 3	2,03E-06	20

Explanatory notes for the safety-related characteristic data:

- ▶ The SIL CL value in accordance with EN 62061 corresponds to the SIL value in accordance with EN 61508.
- ▶ T_M is the maximum mission time in accordance with EN ISO 13849-1. The value also applies as the retest interval in accordance with EN 61508-6 and IEC 61511 and as the proof test interval and mission time in accordance with EN 62061.

All the units used within a safety function must be considered when calculating the safety characteristic data.

**INFORMATION**

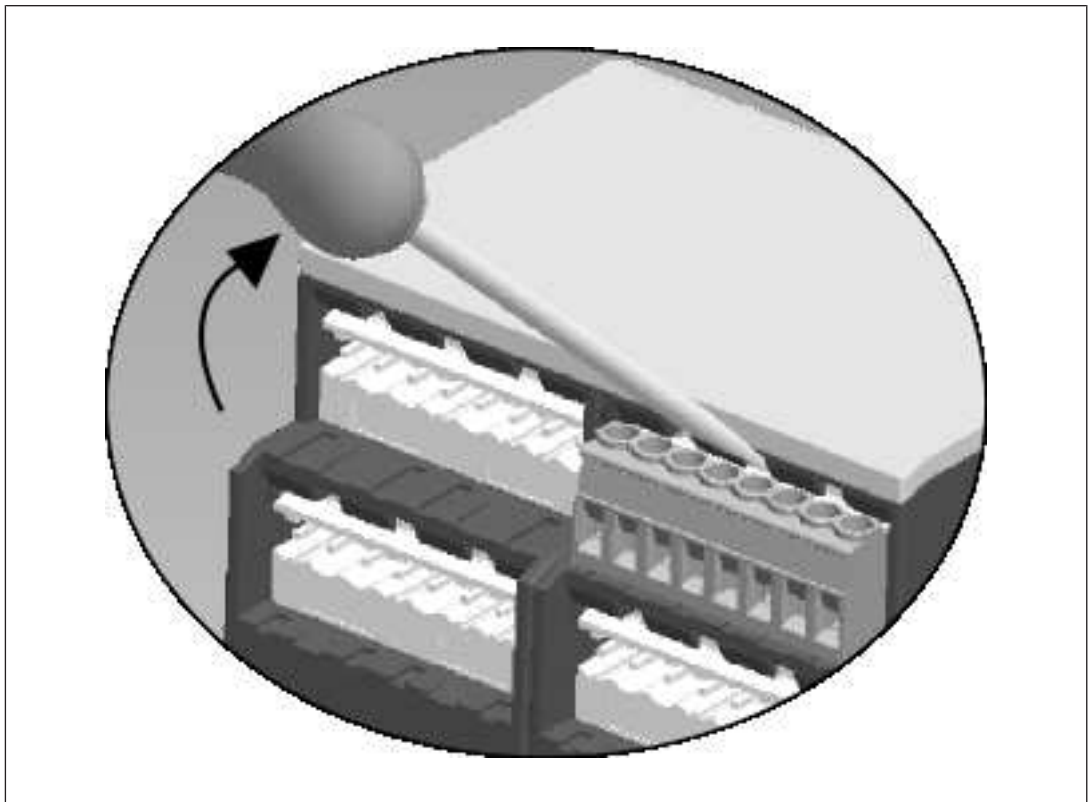
A safety function's SIL/PL values are **not** identical to the SIL/PL values of the units that are used and may be different. We recommend that you use the PAScal software tool to calculate the safety function's SIL/PL values.

Remove plug-in terminals**Procedure**

- ▶ Insert a suitable screwdriver into the housing recess behind the terminal.

Do **not** remove the terminals by pulling the cables!

- ▶ Lever the terminal out.

**WARNING!****Risk of electrocution!**

When voltage is applied, contact with live components could result in serious or even fatal injury from an electric shock.

The plug-in connection terminals should only be connected and disconnected when the voltage is switched off.

Order reference

Product type	Features	Connection type	Order no.
PNOZ pe1p	24 V DC	Screw terminals	773900

EC declaration of conformity

This product/these products meet the requirements of the directive 2006/42/EC for machinery of the European Parliament and of the Council. The complete EC Declaration of Conformity is available on the Internet at www.pilz.com/support/downloads.

Representative: Norbert Fröhlich, Pilz GmbH & Co. KG, Felix-Wankel-Str. 2, 73760 Ostfildern, Germany

UKCA-Declaration of Conformity

This product(s) complies with following UK legislation: Supply of Machinery (Safety) Regulation 2008.

The complete UKCA Declaration of Conformity is available on the Internet at www.pilz.com/support/downloads.

Representative: Pilz Automation Technology, Pilz House, Little Colliers Field, Corby, Northamptonshire, NN18 8TJ United Kingdom, eMail: mail@pilz.co.uk

► Support

Technical support is available from Pilz round the clock.

Americas

Brazil

+55 11 97569-2804

Canada

+1 888 315 7459

Mexico

+52 55 5572 1300

USA (toll-free)

+1 877-PILZUSA (745-9872)

Asia

China

+86 21 60880878-216

Japan

+81 45 471-2281

South Korea

+82 31 778 3300

Australia and Oceania

Australia

+61 3 95600621

New Zealand

+64 9 6345350

Europe

Austria

+43 1 7986263-0

Belgium, Luxembourg

+32 9 3217570

France

+33 3 88104003

Germany

+49 711 3409-444

Ireland

+353 21 4804983

Italy, Malta

+39 0362 1826711

Scandinavia

+45 74436332

Spain

+34 938497433

Switzerland

+41 62 88979-32

The Netherlands

+31 347 320477

Turkey

+90 216 5775552

United Kingdom

+44 1536 462203

You can reach our international hotline on:

+49 711 3409-222

support@pilz.com

Pilz develops environmentally-friendly products using ecological materials and energy-saving technologies. Offices and production facilities are ecologically designed, environmentally-aware and energy-saving. So Pilz offers sustainability, plus the security of using energy-efficient products and environmentally-friendly solutions.



We are represented internationally. Please refer to our homepage www.pilz.com for further details or contact our headquarters.

Headquarters: Pilz GmbH & Co. KG, Felix-Wankel-Straße 2, 73760 Ostfildern, Germany
Telephone: +49 711 3409-0, Telefax: +49 711 3409-133, E-Mail: info@pilz.com, Internet: www.pilz.com

PILZ
THE SPIRIT OF SAFETY

20680-EN-08, 2022-06 Printed in Germany
© Pilz GmbH & Co. KG, 2019

CECE®, CHRE®, CMSE®, InduraNET p®, Leansafe®, Master of Safety®, Master of Security®, PAS4000®, PAScall®, PASconfig®, Pilz®, PTT®, PLID®, PMCprimo®, PMCprotego®, PMCTendo®, PMD®, PMJ®, PNOZ®, PRBM®, PRCM®, PRM®, PRM p®, PSEN®, PSEN p®, PSS®, PVS®, SafetyBUS p®, SafetyEYE®, SafetyNET p®, THE SPIRIT OF SAFETY® are registered and protected trademarks of Pilz GmbH & Co. KG in some countries. We would point out that product features may vary from the details stated in this document, depending on the status at the time of publication and the scope of the equipment. We accept no responsibility for the validity, accuracy and entirety of the text and graphics presented in this information. Please contact our Technical Support if you have any questions.