

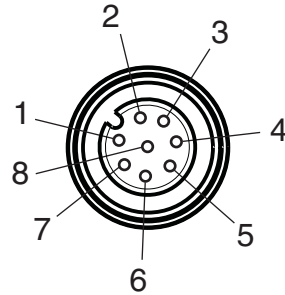
# Accessories

## PSEN Cable M12 8p VA

### Connector pin assignment

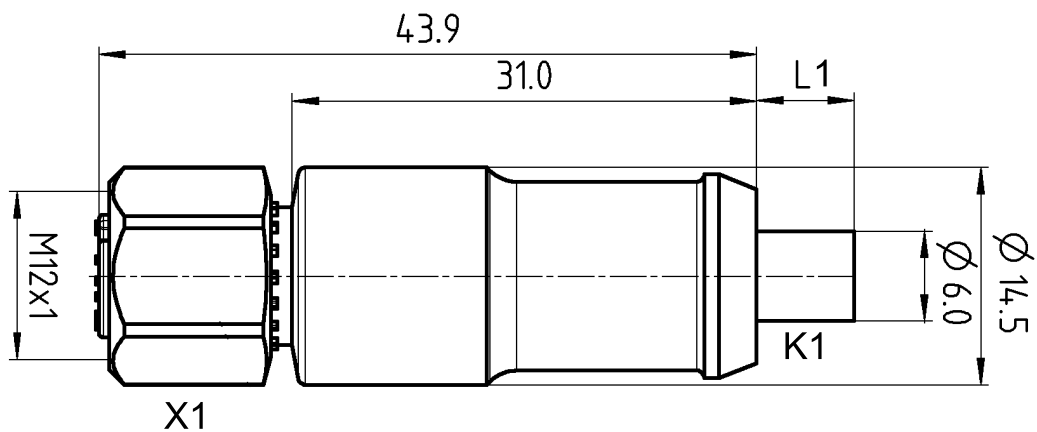
#### Colour coding

1	white
2	brown
3	green
4	yellow
5	grey
6	pink
7	blue
8	red



Plan view plug-in connector X1

### Dimensions in mm



# Accessories

## PSEN Cable M12 8p VA

### Technical details

General	533190	533191	533193
Certifications	ECOLAB, cULus Listed	ECOLAB, cULus Listed	ECOLAB, cULus Listed
Electrical data	533190	533191	533193
Rated voltage			
Voltage UB	30 V	30 V	30 V
Rated current	2 A	2 A	2 A
Test voltage	3.000 V	3.000 V	3.000 V
Typ. conductor resistance K1	79 Ohm/km	79 Ohm/km	79 Ohm/km
Insulation resistance	100 MOhm	100 MOhm	100 MOhm
Cable insulation resistance K1	200 MOhm x km	200 MOhm x km	200 MOhm x km
Volume resistance	3 mOhm	3 mOhm	3 mOhm
Environmental data	533190	533191	533193
Temperature when using in the drag chain	-5 - 60°C	-5 - 60°C	-5 - 60°C
Ambient temperature			
Temperature range	-40 - 105 °C	-40 - 105 °C	-40 - 105 °C
Temperature range (moving)	-5 - 105 °C	-5 - 105 °C	-5 - 105 °C
Airgap creepage			
Overvoltage category	II	II	II
Pollution degree	3	3	3
Rated impulse withstand voltage	0,8 kV	0,8 kV	0,8 kV
Protection type			
X1 when inserted	IP69K	IP69K	IP69K
Housing	IP69K	IP69K	IP69K
Mechanical data	533190	533191	533193
Plug-in connector X1	M12, 8-pin female connector	M12, 8-pin female connector	M12, 8-pin female connector
In accordance with the standard	EN 61076-2-101	EN 61076-2-101	EN 61076-2-101
Form, plug-in connector X1	Straight	Straight	Straight
Material of ring nut X1	Stainless steel 1.4404	Stainless steel 1.4404	Stainless steel 1.4404
Housing material X1	PP	PP	PP
Material of contact surface X1	Au	Au	Au
Material of gasket	EPDM	EPDM	EPDM
Material of socket	CuSn	CuSn	CuSn

# Accessories

## PSEN Cable M12 8p VA

Mechanical data	533190	533191	533193
Conductor material K1	Cu	Cu	Cu
Insulating cover for conductor K1	PVC Y17 (105°)	PVC Y17 (105°)	PVC Y17 (105°)
Mating cycles X1	100	100	100
Cable length L1	5 m	10 m	30 m
Colour of external cable insulation K1	Signal yellow, RAL1003	Signal yellow, RAL1003	Signal yellow, RAL1003
Colour of housing	Light grey	Light grey	Light grey
Cable insulation material K1	PVC YM3 (105°)	PVC YM3 (105°)	PVC YM3 (105°)
Drag chain suitable K1	yes	yes	yes
Min. bending radius (fixed permanently) K1	5 x Ø	5 x Ø	5 x Ø
Min. bending radius (moving) K1	10 x Ø	10 x Ø	10 x Ø
Max. traverse path K1	5 m	5 m	5 m
Bending cycles cable K1	2.000.000	2.000.000	2.000.000
Max. traverse path K1	2 m	2 m	2 m
Max. traverse speed K1	3,3 m/s	3,3 m/s	3,3 m/s
Max. acceleration K1	5 m/s <sup>2</sup>	5 m/s <sup>2</sup>	5 m/s <sup>2</sup>
Cable diameter K1	6 mm	6 mm	6 mm
Max. cable diameter K1	6,2 mm	6,2 mm	6,2 mm
Conductor cross section K1	0,25 mm <sup>2</sup>	0,25 mm <sup>2</sup>	0,25 mm <sup>2</sup>
Conductor cross section AWG K1	24	24	24
Wire colour K1	White, brown, green, yellow, grey, pink, blue, red	White, brown, green, yellow, grey, pink, blue, red	White, brown, green, yellow, grey, pink, blue, red
Stranding K1	Cores stranded in concentric layers	Cores stranded in concentric layers	Cores stranded in concentric layers
Shielding K1	No	No	No
No. of wires K1	8	8	8
Certification cable K1	UL AWM-Style 2517 VW1	UL AWM-Style 2517 VW1	UL AWM-Style 2517 VW1
Halogen-free	No	No	No
Silicone-free	yes	yes	yes
Oil resistance	Resistant	Resistant	Resistant
Non-flammability	EN 50265-2-2, IEC 60332-2, UL VW1, VDE 0482-265-2-2	EN 50265-2-2, IEC 60332-2, UL VW1, VDE 0482-265-2-2	EN 50265-2-2, IEC 60332-2, UL VW1, VDE 0482-265-2-2
Torque of the interlock screw	approx. 50 cNM	approx. 50 cNM	approx. 50 cNM
Weight	287 g	1.188 g	1.583 g

# Accessories

---

## PSEN Cable M12 8p VA

---

### Order reference

Product type	Features	Connector X1	Connector X2	Connector X3	Order no.
PSEN cable M12-8sf VA 5m	5 m	M12, 8-pin female connector, straight, stainless steel threaded ring			533190
PSEN cable M12-8sf VA 10m	10 m	M12, 8-pin female connector, straight, stainless steel threaded ring			533191
PSEN cable M12-8sf VA 30m	30 m	M12, 8-pin female connector, straight, stainless steel threaded ring			533193