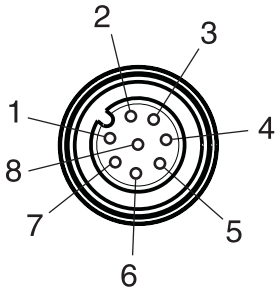
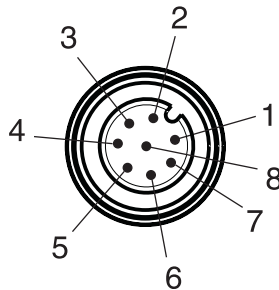


PSEN T Junction M12

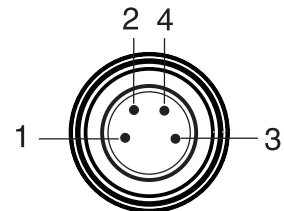
Connector pin assignment



Plan view of plug connector X1

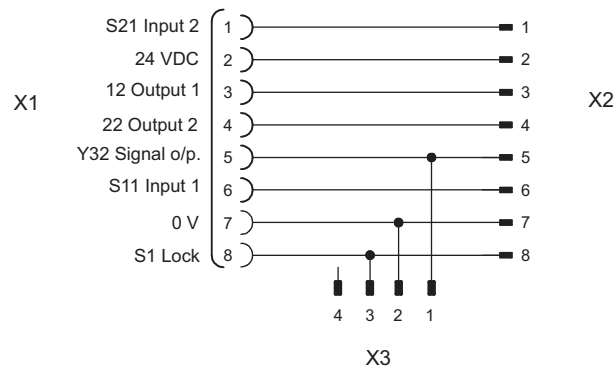


Plan view of plug connector X2



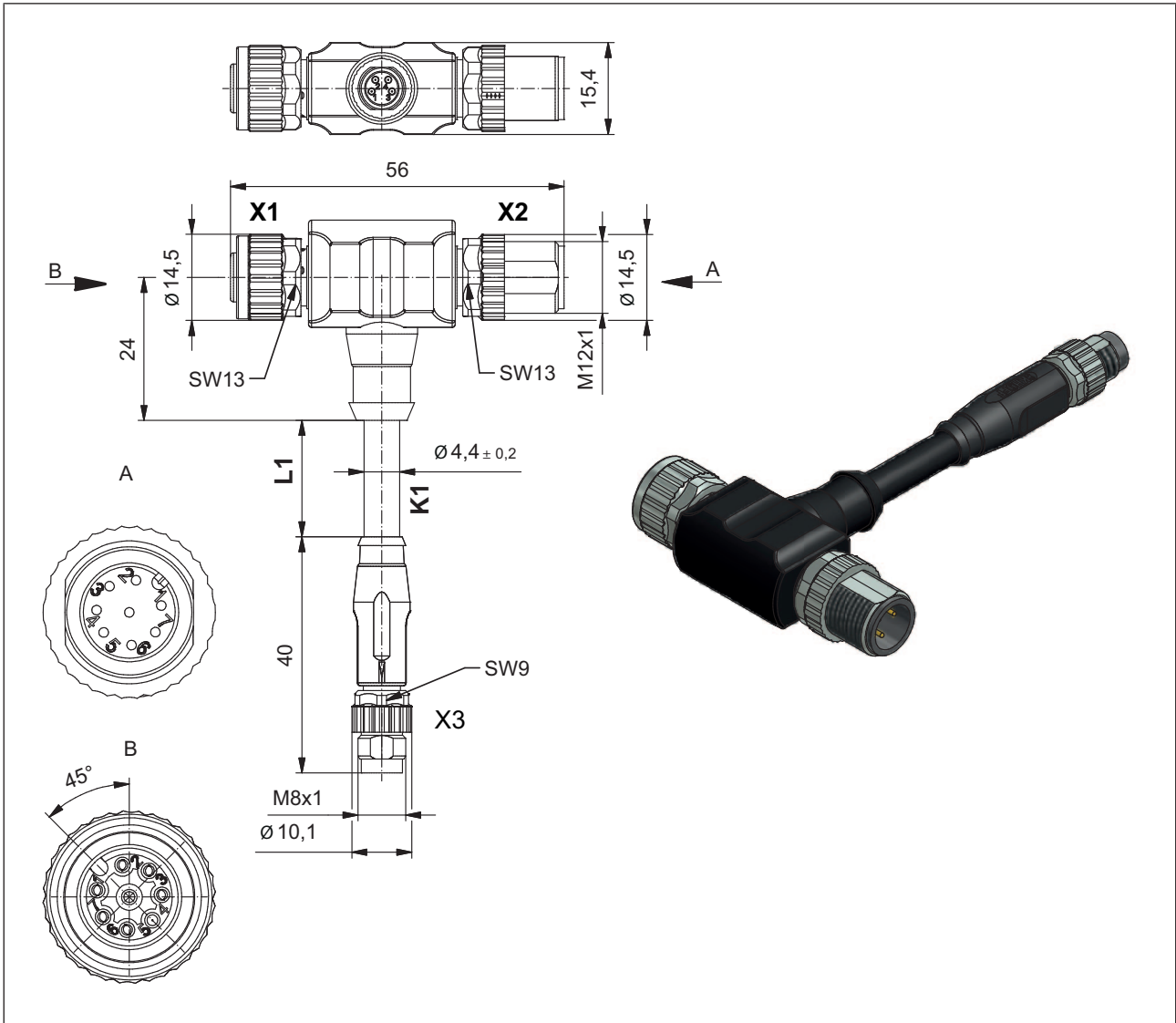
Plan view of plug connector X3

Contact assignment, 8-pin:



PSEN T Junction M12

Dimensions



PSEN T Junction M12

Technical details

General	
Approvals	-
Electrical data	
Rated voltage	
Voltage UB	30 V
Rated current	2 A
Test voltage	3.000 V
Typ. conductor resistance K1	58 Ohm/km
Insulation resistance	100 MOhm
Specific volume resistance K1	>= 1E+16 Ohm*cm
Environmental data	
Ambient temperature	
Temperature range	-25 - 80 °C
Airgap creepage	
Pollution degree	3
Protection type	
X1 when inserted	IP67
X2 when inserted	IP67
X3 when inserted	IP67
Housing	IP67
Mechanical data	
Plug-in connector X1	M12, 8-pin female connector
In accordance with the standard	EN 61076-2-101
Plug-in connector X2	M12, 8-pin male connector
In accordance with the standard	EN 61076-2-101
Plug-in connector X3	M8, 4-pin male connector
In accordance with the standard	EN 61076-2-104
Material of ring nut X1	GD-Zn, Ni
Material of ring nut X2	GD-Zn, Ni
Material of ring nut X3	GD-Zn, Ni
Housing material X1	PA
Housing material X2	PA
Housing material X3	PA
Material of contact surface X1	Ni, Au gal.
Material of contact surface X2	Ni, AU gal.
Material of contact surface X3	Ni, AU gal.
Material of gasket	FPM
Material of pin	CuZn
Material of socket	CuZn

PSEN T Junction M12

Mechanical data	
Conductor material K1	Cu
Insulating cover for conductor K1	PP (9Y)
Mating cycles X1	100
Mating cycles X2	100
Mating cycles X3	100
Cable type K1	Li9Y11Y
Cable length L1	25 cm
Colour of external cable insulation K1	Jet black, RAL9005
Colour of housing	black
Min. bending radius (fixed permanently) K1	6 x Ø
Cable insulation material K1	TPU/TPE-U
Cable diameter K1	4,4 mm
Max. cable diameter K1	4,55 mm
Conductor cross section K1	0,25 mm²
Conductor cross section AWG K1	24
Wire colour K1	Brown, white, blue, black
Stranding K1	4 cores
Shielding K1	No
No. of wires K1	4
Approval cable K1	UL AWM-Style 20549
Approval of plug-in connector X1	UL 94
Approval of plug-in connector X2	UL 94
Approval of plug-in connector X3	UL 94
Halogen-free	yes
Silicone-free	yes
Oil resistance	Resistant
Non-flammability	cULus 20549
Material	
Housing	TPU, UL94
Weight	34 g

Order reference

Product type	Features	Connector X1	Connector X2	Connector X3	Order no.
PSEN T Junction M12		M12 female connector	M12 male connector	M8 male connector	540 331