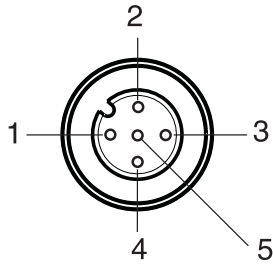
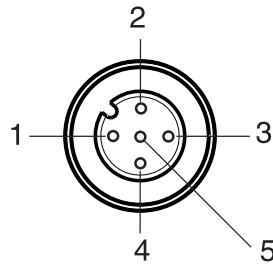


PSEN T M12

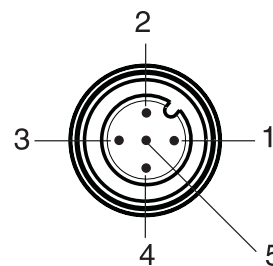
Connector pin assignment



Plan view of plug-in connector X1

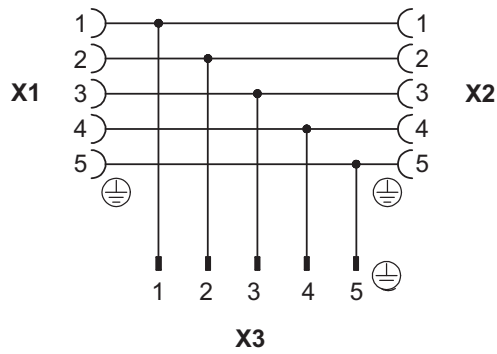


Plan view of plug-in connector X2



Plan view of plug-in connector X3

Contact assignment



PSEN T M12

Dimensions

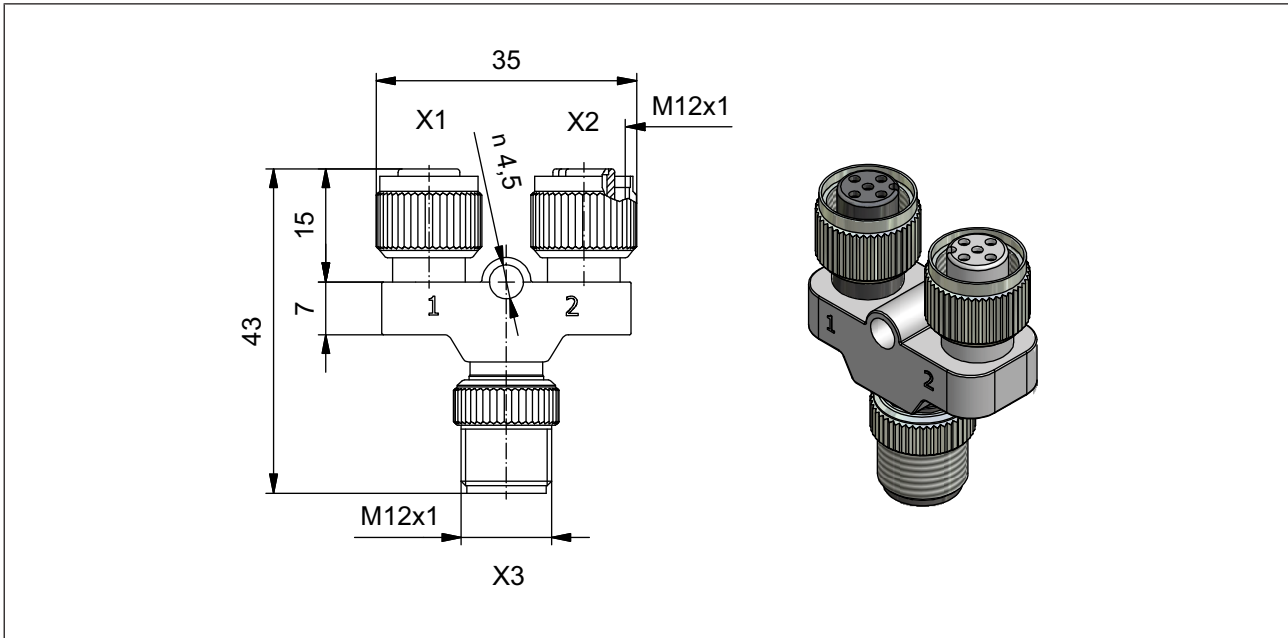


Fig.: Dimensions adapter

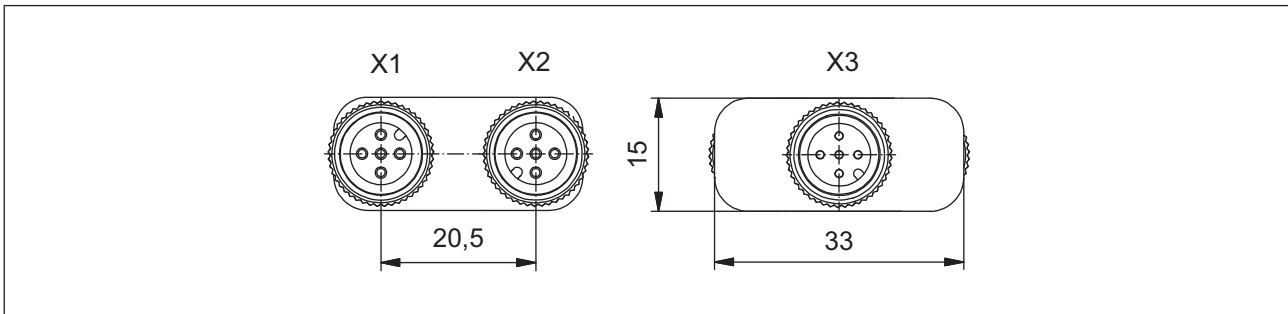


Fig.: Dimensions connector

Technical details

General	
Approvals	-
Electrical data	
Rated voltage	
Voltage UB	60 V
Rated current	4,0 A
Insulation resistance	10000 MOhm
Environmental data	
Ambient temperature	
Temperature range	-25 - 85 °C

PSEN T M12

Environmental data	
Airgap creepage	
Pollution degree	3
Protection type	
X1 when inserted	IP67
X2 when inserted	IP67
X3 when inserted	IP67
Housing	IP67
Mechanical data	
Plug-in connector X1	M12, 5-pin female connector
In accordance with the standard	EN 61076-2-101
Plug-in connector X2	M12, 5-pin female connector
In accordance with the standard	EN 61076-2-101
Plug-in connector X3	M12, 5-pin male connector
In accordance with the standard	EN 61076-2-101
Housing material X1	PBT GF20
Housing material X2	PBT GF20
Housing material X3	PBT GF20
Material of contact surface X1	Ni, Au gal.
Material of contact surface X2	Ni, Au gal.
Material of contact surface X3	Ni, Au gal.
Material of gasket	FPM
Material of pin	CuZn
Material of socket	CuSn
Mating cycles X1	100
Mating cycles X2	100
Mating cycles X3	100
Approval of plug-in connector X1	UL 94
Approval of plug-in connector X2	UL 94
Approval of plug-in connector X3	UL 94
Material	
Housing	PBT
Weight	23 g

Order reference

Product type	Features	Connector X1	Connector X2	Connector X3	Order No.
PSEN T M12	T-Adapter for connecting two PSEN to PSS67	M12 female connector	M12 female connector	M12 male connector	380 350