



Visualisation; Diagnostics

Easy to Configure

Programming IEC 61131-3

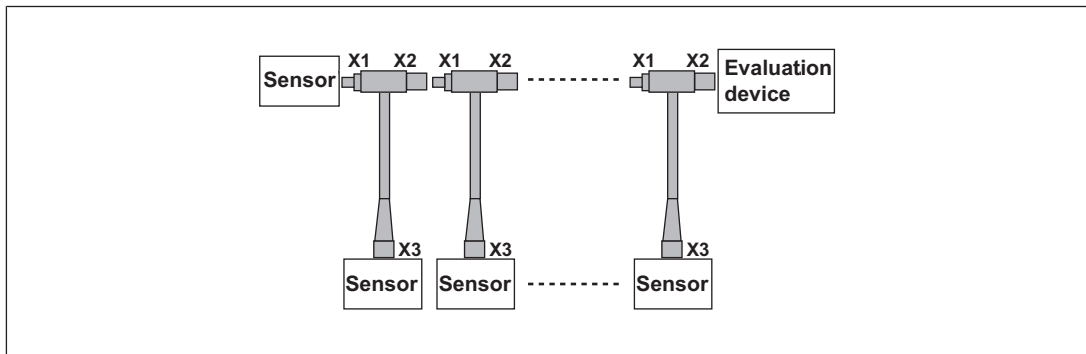
Rapid Installation

PSEN Y Junction M8-M12/M12

PILZ
THE SPIRIT OF SAFETY

► Accessories

Connection



Legend

- X1 M12 female connector
- X2 M12 male connector
- X3 M8 female connector



WARNING!

Loss of safety function due to the connections being inserted incorrectly!

If you connect the connector X3 on the cable separator to connector X1 on the cable separator that follows, the sensors will not be evaluated correctly. Serious or fatal injury could result, depending on the application.

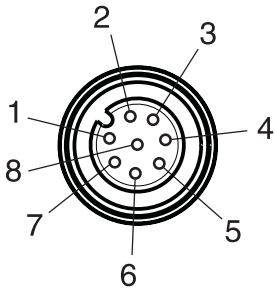
Only connector X2 should be connected to connector X1 on the cable separator that follows, as shown in the diagram.



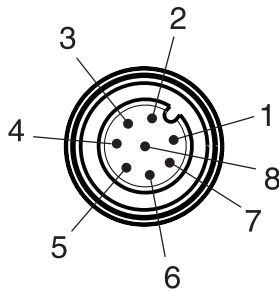
NOTICE

When commissioning, activate the safety function of each sensor in the safety chain and check the correct response of the evaluation device's safety outputs.

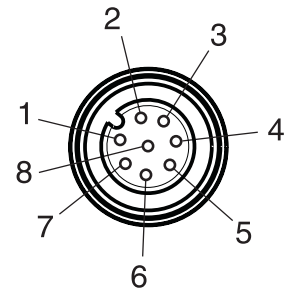
Connector pin assignment



Plan view of plug connector X1

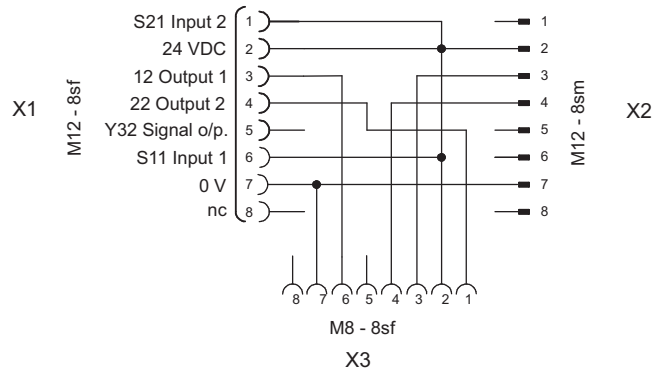


Plan view of plug connector X2

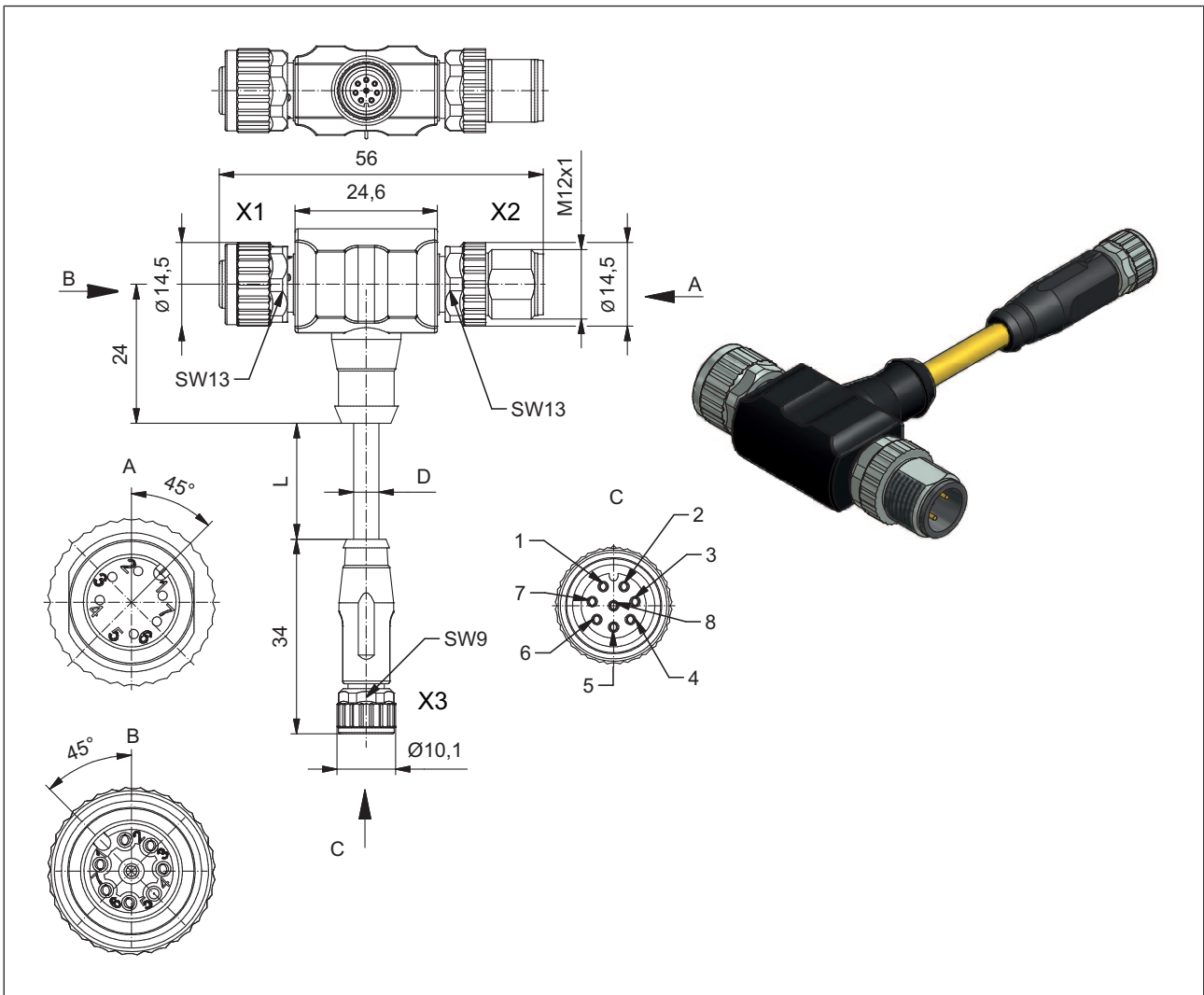


Plan view of plug connector X3

Contact assignment, 8-pin:



Dimensions



Technical details

General	
Approvals	-
Electrical data	
Rated voltage	
Voltage UB	30 V
Rated current	1,5 A
Test voltage	3.000 V
Typ. conductor resistance K1	138 Ohm/km
Insulation resistance	100 MOhm
Specific volume resistance K1	>= 7E+15 Ohm*cm
Environmental data	
Temperature when using in the drag chain	-25 - 60 °C

Environmental data	
Ambient temperature	
Temperature range	-25 - 80 °C
Airgap creepage	
Pollution degree	3
Protection type	
X1 when inserted	IP67
X2 when inserted	IP67
X3 when inserted	IP67
Housing	IP67
Mechanical data	
Plug-in connector X1	M12, 8-pin female connector
In accordance with the standard	EN 61076-2-101
Plug-in connector X2	M12, 8-pin male connector
In accordance with the standard	EN 61076-2-101
Plug-in connector X3	M8, 8-pin female connector
In accordance with the standard	EN 61076-2-104
Material of ring nut X1	GD-Zn, Ni
Material of ring nut X2	GD-Zn, Ni
Material of ring nut X3	GD-Zn, Ni
Housing material X1	TPU GF
Housing material X2	TPU GF
Housing material X3	TPU GF
Material of contact surface X1	Ni, Au gal.
Material of contact surface X2	Ni, AU gal.
Material of contact surface X3	Ni, AU gal.
Material of gasket	FPM
Material of pin	CuZn
Material of socket	CuZn
Conductor material K1	Cu
Insulating cover for conductor K1	PP (9Y)
Mating cycles X1	100
Mating cycles X2	100
Mating cycles X3	100
Cable type K1	LiF9Y11Y
Cable length L1	25 cm
Colour of external cable insulation K1	Yellow, similar to RAL1003
Colour of housing	black
Min. bending radius (fixed permanently) K1	5 x Ø
Min. bending radius (moving) K1	10 x Ø
Cable insulation material K1	PUR, TPU / TPE-U
Cable diameter K1	5,55 mm
Max. cable diameter K1	5,7 mm
Conductor cross section K1	0,14 mm²
Conductor cross section AWG K1	26

Mechanical data	
Wire colour K1	White, brown, green, yellow, grey, pink, blue, red
Stranding K1	8 cores around plastic filler
Shielding K1	No
No. of wires K1	8
Approval cable K1	UL AWM-Style 20233, UL/CSA
Approval of plug-in connector X1	UL 94
Approval of plug-in connector X2	UL 94
Approval of plug-in connector X3	UL 94
Material	
Housing	TPU, UL94
Weight	33 g

Order reference

Product type	Features	Order no.
PSEN Y Junction M8-M12/M12	Cable separator for PSENcode, PSENslock	540 327

► Support

Technical support is available from Pilz round the clock.

Americas

Brazil
+55 11 97569-2804

Canada
+1 888-315-PILZ (315-7459)

Mexico
+52 55 5572 1300

USA (toll-free)
+1 877-PILZUSA (745-9872)

Asia

China
+86 21 60880878-216

Japan
+81 45 471-2281

South Korea
+82 31 450 0680

Australia

+61 3 95446300

Europe

Austria
+43 1 7986263-0

Belgium, Luxembourg
+32 9 3217575

France
+33 3 88104000

Germany
+49 711 3409-444

Ireland
+353 21 4804983

Italy
+39 0362 1826711

Scandinavia

+45 74436332

Spain

+34 938497433

Switzerland

+41 62 88979-30

The Netherlands

+31 347 320477

Turkey

+90 216 5775552

United Kingdom

+44 1536 462203

You can reach our international hotline on:

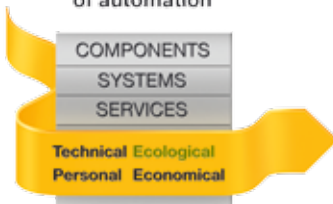
+49 711 3409-444
support@pilz.com

Pilz develops environmentally-friendly products using ecological materials and energy-saving technologies. Offices and production facilities are ecologically designed, environmentally-aware and energy-saving. So Pilz offers sustainability, plus the security of using energy-efficient products and environmentally-friendly solutions.

Energy saving by Pilz



The 4-fold safety of automation



Pilz GmbH & Co. KG
Felix-Wankel-Straße 2
73760 Ostfildern, Germany
Tel.: +49 711 3409-0
Fax: +49 711 3409-133
info@pilz.com
www.pilz.com

PILZ
THE SPIRIT OF SAFETY