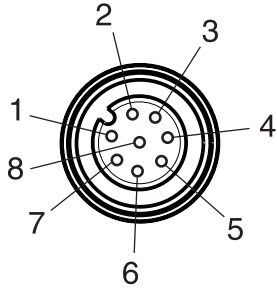
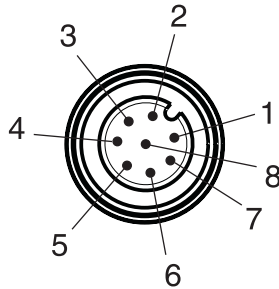


PSEN Y Junction M8-M12/M12

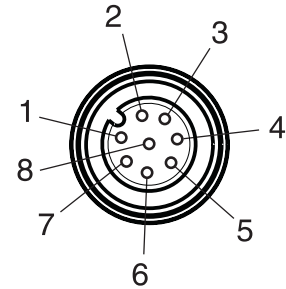
Connector pin assignment



Plan view of plug connector X1

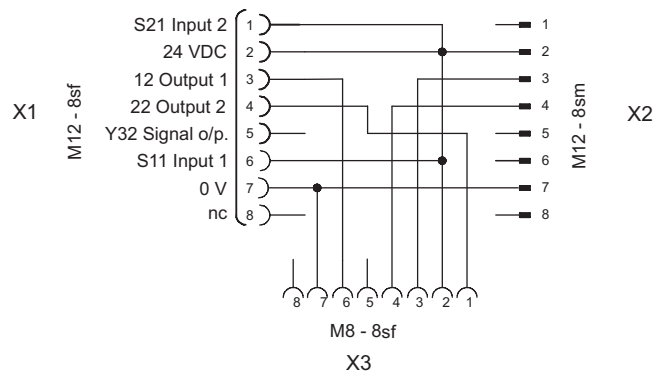


Plan view of plug connector X2



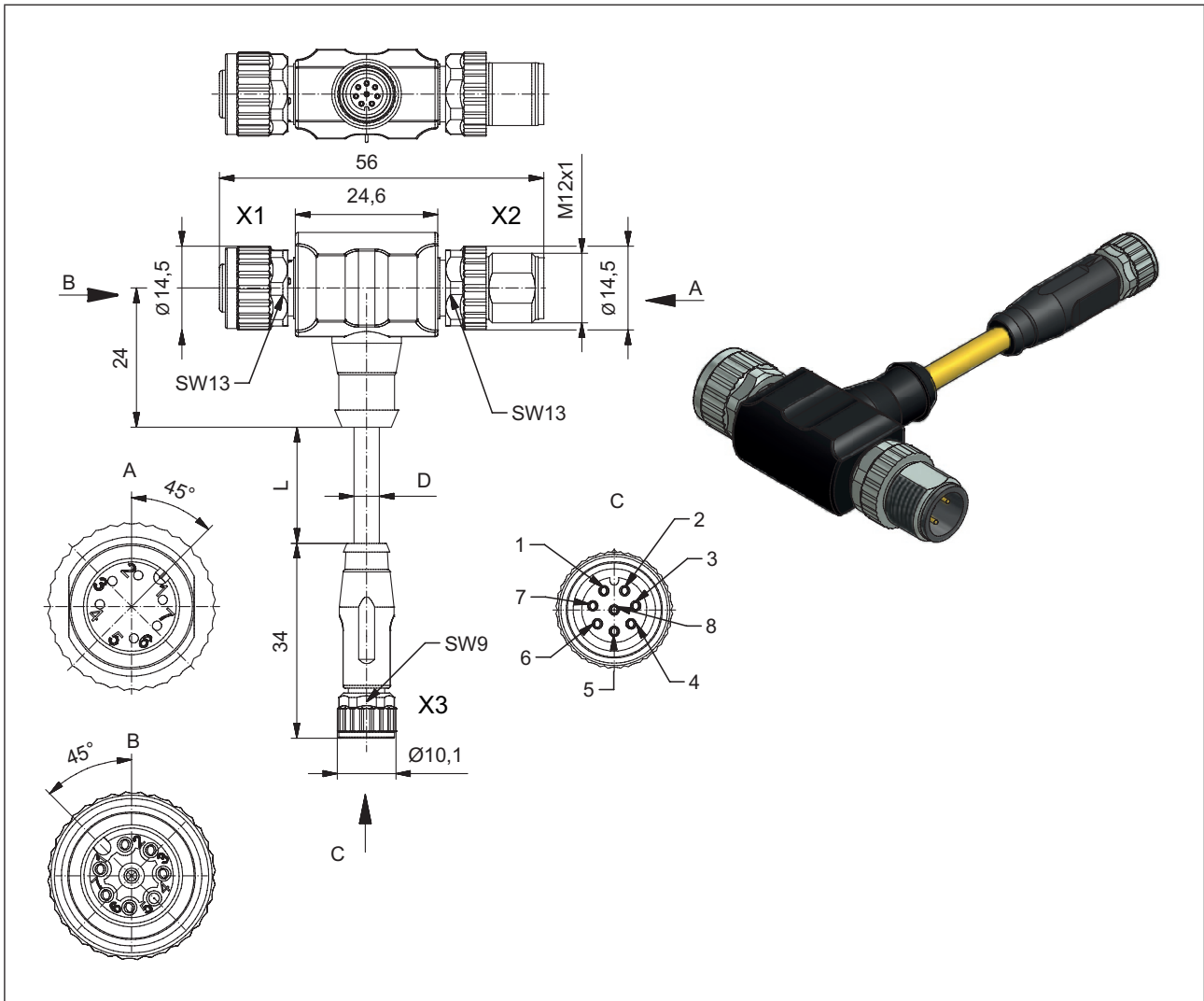
Plan view of plug connector X3

Contact assignment, 8-pin:



PSEN Y Junction M8-M12/M12

Dimensions



Technical details

Electrical data	540327
Rated voltage UB	30 V
Conductor resistance	138 Ohm/km
Insulation resistance	100 MOhm
Test voltage	3.000 V
Specific volume resistance	>= 7E+15 Ohm*cm
Rated current	1,5 A

PSEN Y Junction M8-M12/M12

Environmental data	540327
Ambient temperature	
Temperature range	-25 - 80 °C
Airgap creepage	
Pollution degree	3
Protection type	
X1 when inserted	IP67
X2 when inserted	IP67
X3 when inserted	IP67
Housing	IP67
Mechanical data	540327
Plug connector X1	M12, 8-pin female connector
In accordance with the standard	EN 61076-2-101
Plug connector X2	M12, 8-pin male connector
In accordance with the standard	EN 61076-2-101
Plug-in connector X3	M8, 8-pin female connector
In accordance with the standard	EN 61076-2-104
Material of ring nut X1	GD-Zn, Ni
Material of ring nut X2	GD-Zn, Ni
Material of ring nut X3	GD-Zn, Ni
Housing material X1	TPU GF
Housing material X2	TPU GF
Housing material X3	TPU GF
Material of contact surface	Ni, Au gal.
Gasket material	FPM
Pin material	CuZn
Socket material	CuZn
Conductor material	Cu
Insulating cover for conductor	PP (9Y)
Mating cycles X1	100
Mating cycles X2	100
Mating cycles X3	100
Cable type	LiF9Y11Y
Cable length L	25,00 cm
Colour of external cable insulation	Yellow, similar to RAL1003
Min. bending radius (for laying)	5 x Ø
Min. bending radius (for constant movement)	10 x Ø
Cable insulation material	PUR, TPU / TPE-U
Cable diameter	5,55 mm
Cable cross section	0,14 mm²
Cable cross section AWG	26
Wire colour	White, brown, green, yellow, green, pink, blue, red
Stranding	8 cores around plastic fillers

Accessories

PSEN Y Junction M8-M12/M12

Mechanical data	540327
Shielding	No
No. of wires	8
Cable approval	UL AWM-Style 20233, UL/CSA
Approval for plug connector X1	UL 94
Approval for plug connector X2	UL 94
Approval of plug-in connector X3	UL 94
Material	
Housing	TPU, UL94
Weight	33 g

Order reference

Order reference					
Product type	Features	Connector X1	Connector X2	Connector X3	Order no.
PSEN Y Junction M8-M12/M12		M12 female connector	M12 male con- nector	M8 female con- nector	540 327