

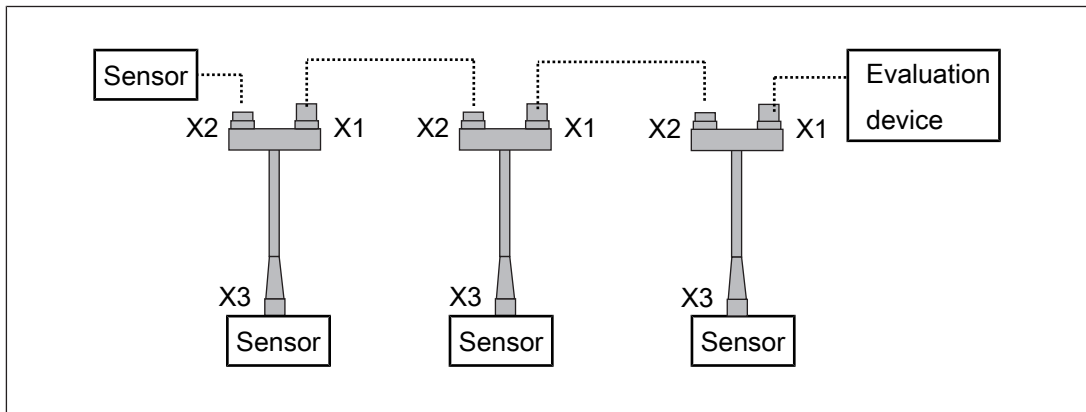


PSEN Y junction M12-M12/M12 PIG-TAIL

PILZ
THE SPIRIT OF SAFETY

► Accessories

Connection



Legend

- X1 M12 male connector
- X2 M12 female connector
- X3 M12 female connector

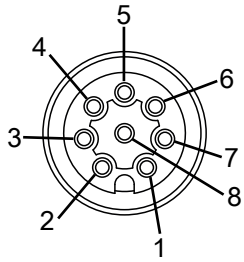
Connect connector X1 with connector X2 of the following cable separator.



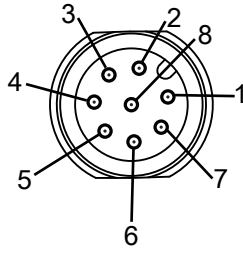
NOTICE

When commissioning, activate the safety function of each sensor in the safety chain and check the correct response of the evaluation device's safety outputs.

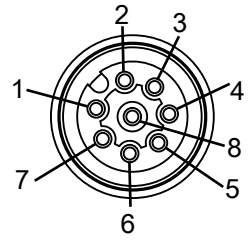
Connector pin assignment



Plan view of plug-in connector X2



Plan view of plug-in connector X1



Plan view of plug-in connector X3

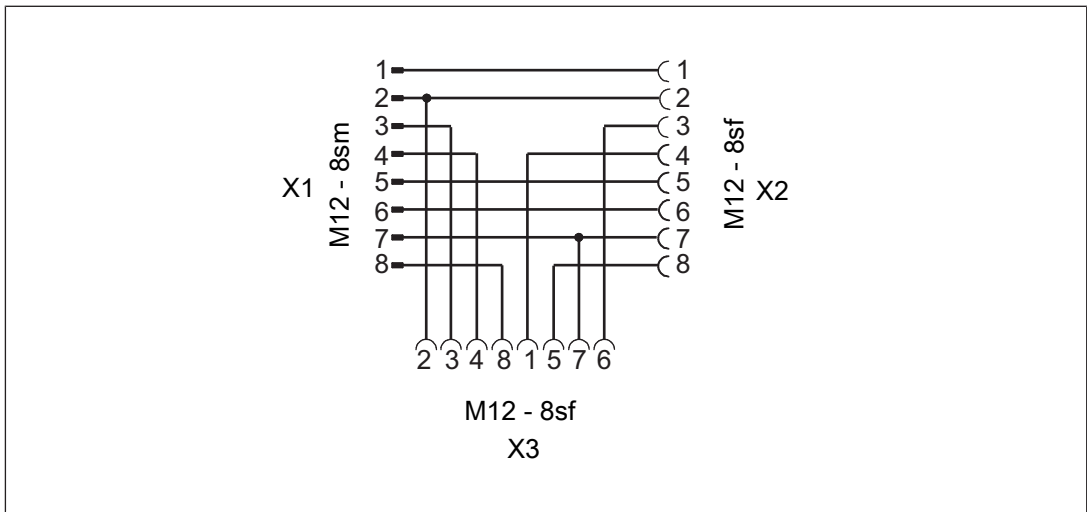
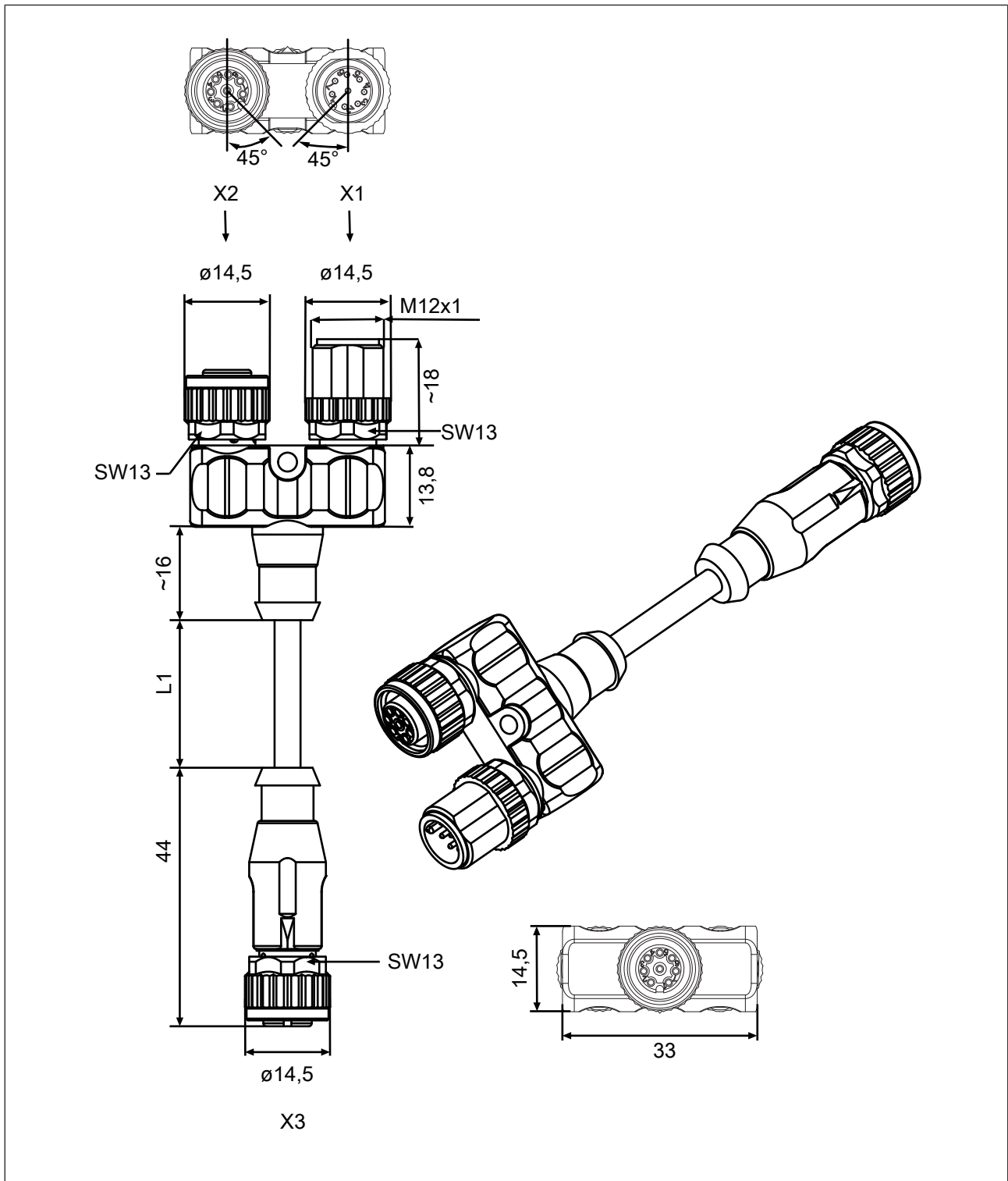


Fig.: Contact assignment 8-pin

Dimensions



Technical details

General	
Approvals	-
Electrical data	
Rated voltage	
Voltage UB	30 V
Rated current	2 A
Test voltage	3.000 V
Typ. conductor resistance K1	78 Ohm/km
Insulation resistance	100 MOhm
Specific volume resistance K1	>= 1E+16 Ohm*cm
Environmental data	
Ambient temperature	
Temperature range	-25 - 80 °C
Airgap creepage	
Pollution degree	3
Protection type	
X1 when inserted	IP67
X2 when inserted	IP67
X3 when inserted	IP67
Housing	IP67
Mechanical data	
Plug-in connector X1	M12, 8-pin male connector
In accordance with the standard	EN 61076-2-101
Plug-in connector X2	M12, 8-pin female connector
In accordance with the standard	EN 61076-2-101
Plug-in connector X3	M12, 8-pin female connector
In accordance with the standard	EN 61076-2-101
Material of ring nut X1	GD-Zn, Ni
Material of ring nut X2	GD-Zn, Ni
Material of ring nut X3	GD-Zn, Ni
Housing material X1	PA
Housing material X2	PA
Housing material X3	PA
Material of contact surface X1	Ni, Au gal.
Material of contact surface X2	Ni, Au gal.
Material of contact surface X3	Ni, Au gal.
Material of gasket	FPM
Material of pin	CuZn
Material of socket	CuZn
Conductor material K1	Cu
Insulating cover for conductor K1	PP (9Y)
Mating cycles X1	100
Mating cycles X2	100

Mechanical data	
Mating cycles X3	100
Cable type K1	Li9Y11Y
Cable length L1	0,25 m
Colour of external cable insulation K1	Signal yellow, RAL1003
Colour of housing	black
Cable insulation material K1	TPU/TPE-U
Min. bending radius (fixed permanently) K1	6 x Ø
Cable diameter K1	6 mm
Max. cable diameter K1	6,2 mm
Conductor cross section K1	0,25 mm²
Conductor cross section AWG K1	24
Wire colour K1	White, brown, green, yellow, grey, pink, blue, red
Stranding K1	8 cores around filler
Shielding K1	No
No. of wires K1	8
Approval cable K1	UL AWM-Style 20549
Approval of plug-in connector X1	UL94 V-0
Approval of plug-in connector X2	UL94 V-0
Approval of plug-in connector X3	UL94 V-0
Halogen-free	yes
Silicone-free	yes
Oil resistance	Resistant
Non-flammability	cULus 20549
Material	
Housing	TPU, UL94 HB
Weight	44 g

Order reference

Product type	Features	Connector X1	Connector X2	Connector X3	Order no.
PSEN Y junction M12-M12/M12 PIG- TAIL	Cable separ- ator for PSEN- code, PSENs- lock	M12, 8-pin male connector	M12, 8-pin fe- male connector	M8, 8-pin fe- male connector	540 338

► Support

Technical support is available from Pilz round the clock.

Americas

Brazil

+55 11 97569-2804

Canada

+1 888-315-PILZ (315-7459)

Mexico

+52 55 5572 1300

USA (toll-free)

+1 877-PILZUSA (745-9872)

Asia

China

+86 21 60880878-216

Japan

+81 45 471-2281

South Korea

+82 31 450 0680

Australia

+61 3 95600621

Europe

Austria

+43 1 7986263-0

Belgium, Luxembourg

+32 9 3217575

France

+33 3 88104000

Germany

+49 711 3409-444

Ireland

+353 21 4804983

Italy, Malta

+39 0362 1826711

Scandinavia

+45 74436332

Spain

+34 938497433

Switzerland

+41 62 88979-30

The Netherlands

+31 347 320477

Turkey

+90 216 5775552

United Kingdom

+44 1536 462203

You can reach our international hotline on:

+49 711 3409-444

support@pilz.com

Pilz develops environmentally-friendly products using ecological materials and energy-saving technologies. Offices and production facilities are ecologically designed, environmentally-aware and energy-saving. So Pilz offers sustainability, plus the security of using energy-efficient products and environmentally-friendly solutions.



Pilz GmbH & Co. KG
Felix-Wankel-Straße 2
73760 Ostfildern, Germany
Tel.: +49 711 3409-0
Fax: +49 711 3409-133
info@pilz.com
www.pilz.com

PILZ
THE SPIRIT OF SAFETY