

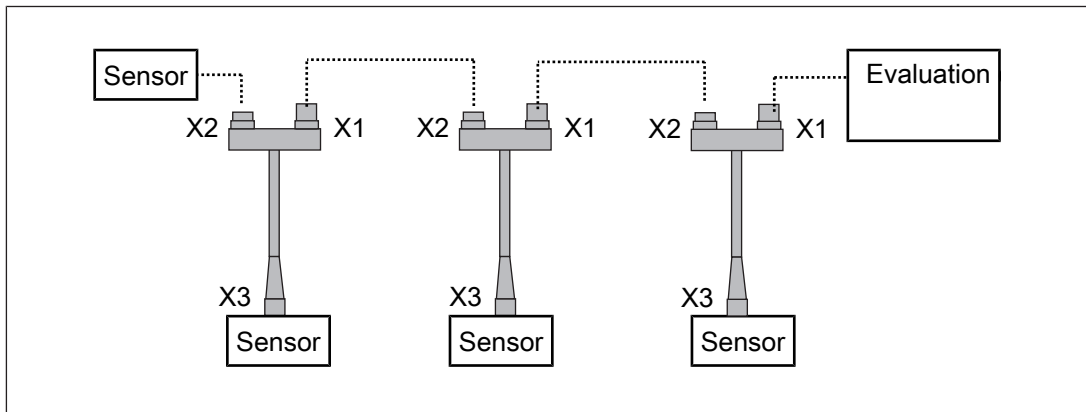


## PSEN Y junction M8-M12/M12 PIG-TAIL

**PILZ**  
THE SPIRIT OF SAFETY

► Accessories

## Connection



### Legend

- X1 M12 male connector
- X2 M12 female connector
- X3 M8 female connector

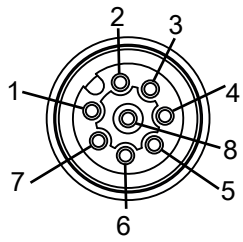
Connect connector X1 with connector X2 of the following cable separator.



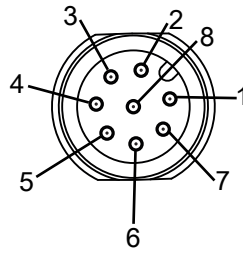
### NOTICE

When commissioning, activate the safety function of each sensor in the safety chain and check the correct response of the evaluation device's safety outputs.

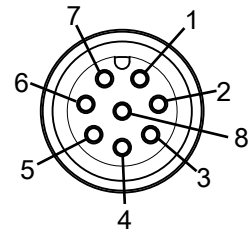
### Connector pin assignment



Plan view of plug-in connector X2



Plan view of plug-in connector X1



Plan view of plug-in connector X3

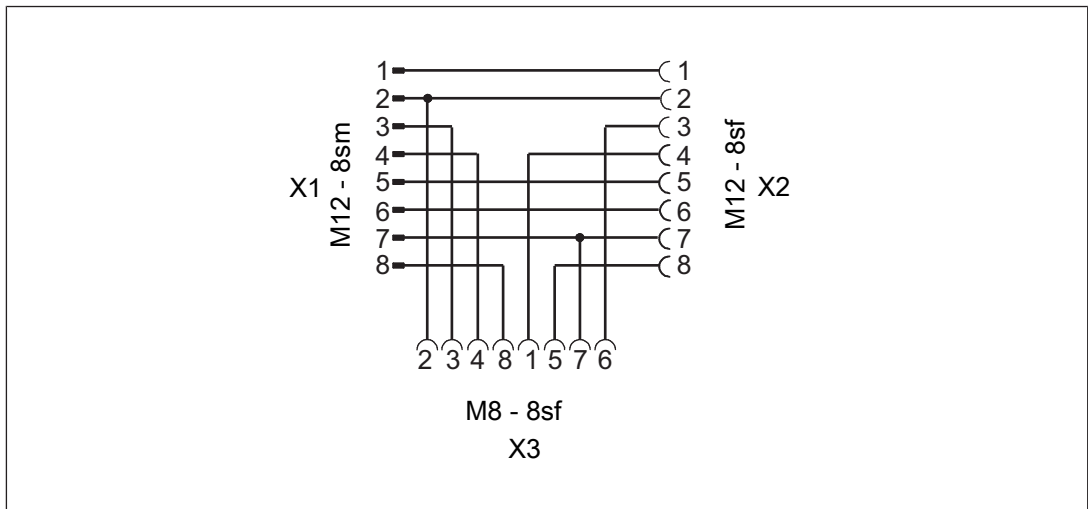
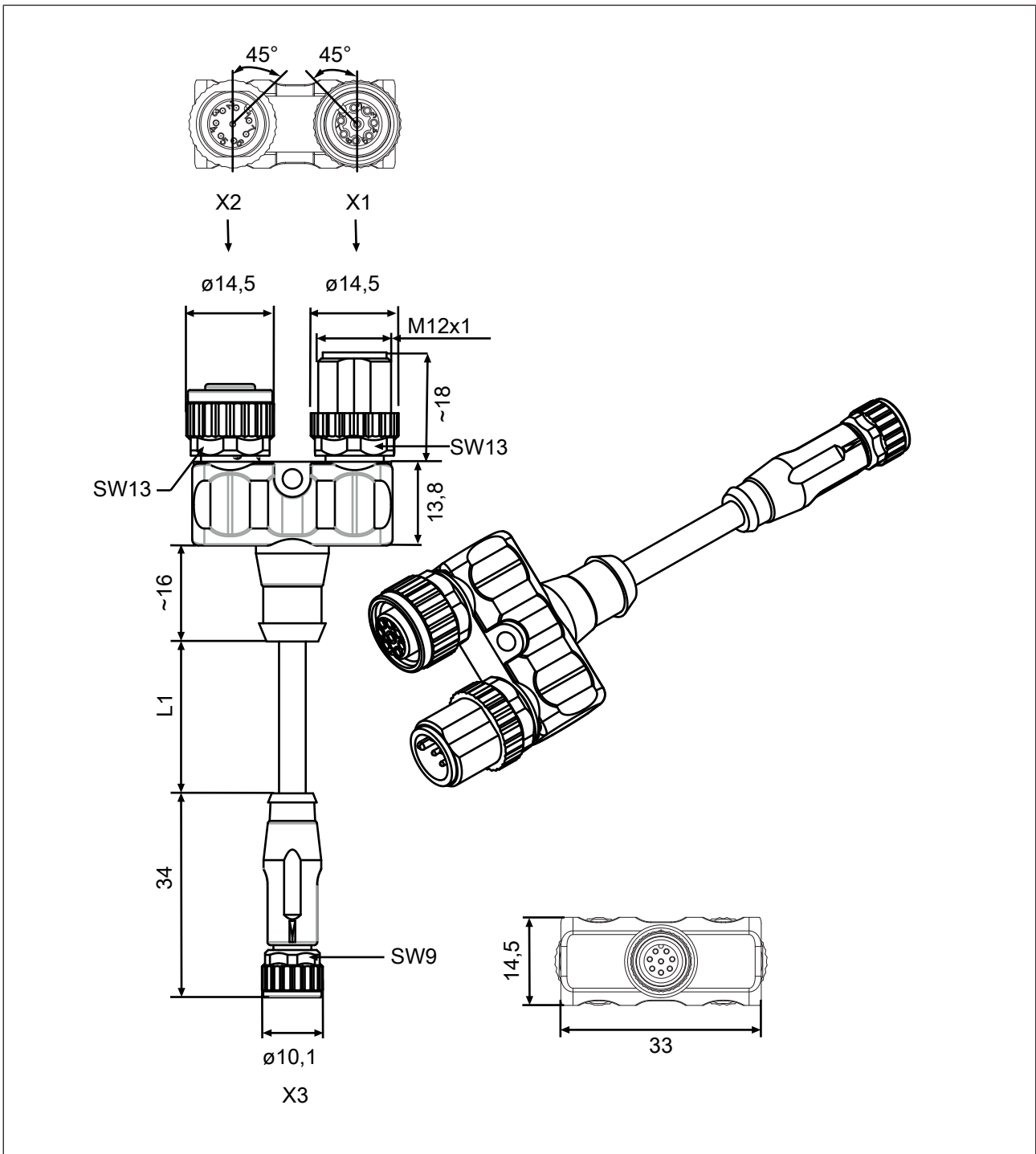


Fig.: Contact assignment 8-pin

Dimensions



## Technical details

<b>General</b>	
Approvals	-
<b>Electrical data</b>	
Rated voltage	
Voltage UB	<b>30 V</b>
Rated current	<b>1,5 A</b>
Test voltage	<b>3.000 V</b>
Typ. conductor resistance K1	<b>138 Ohm/km</b>
Insulation resistance	<b>100 MOhm</b>
Specific volume resistance K1	<b>&gt;= 7E+15 Ohm*cm</b>
<b>Environmental data</b>	
Ambient temperature	
Temperature range	<b>-25 - 80 °C</b>
Airgap creepage	
Pollution degree	<b>3</b>
Protection type	
X1 when inserted	<b>IP67</b>
X2 when inserted	<b>IP67</b>
X3 when inserted	<b>IP67</b>
Housing	<b>IP67</b>
<b>Mechanical data</b>	
Plug-in connector X1	<b>M12, 8-pin male connector</b>
In accordance with the standard	<b>EN 61076-2-101</b>
Plug-in connector X2	<b>M12, 8-pin female connector</b>
In accordance with the standard	<b>EN 61076-2-101</b>
Plug-in connector X3	<b>M8, 8-pin female connector</b>
In accordance with the standard	<b>EN 61076-2-104</b>
Material of ring nut X1	<b>GD-Zn, Ni</b>
Material of ring nut X2	<b>GD-Zn, Ni</b>
Material of ring nut X3	<b>GD-Zn, Ni</b>
Housing material X1	<b>PA</b>
Housing material X2	<b>PA</b>
Housing material X3	<b>PA</b>
Material of contact surface X1	<b>Ni, Au gal.</b>
Material of contact surface X2	<b>Ni, Au gal.</b>
Material of contact surface X3	<b>Ni, Au gal.</b>
Material of gasket	<b>FPM</b>
Material of pin	<b>CuZn</b>
Material of socket	<b>CuZn</b>
Conductor material K1	<b>Cu</b>
Insulating cover for conductor K1	<b>PP (9Y)</b>
Mating cycles X1	<b>100</b>
Mating cycles X2	<b>100</b>

<b>Mechanical data</b>	
Mating cycles X3	<b>100</b>
Cable type K1	<b>LiF9Y11Y</b>
Cable length L1	<b>0,25 m</b>
Colour of external cable insulation K1	<b>Yellow, similar to RAL1003</b>
Colour of housing	<b>black</b>
Cable insulation material K1	<b>PUR, TPU / TPE-U</b>
Min. bending radius (fixed permanently) K1	<b>5 x Ø</b>
Min. bending radius (moving) K1	<b>10 x Ø</b>
Cable diameter K1	<b>5,55 mm</b>
Max. cable diameter K1	<b>5,7 mm</b>
Conductor cross section K1	<b>0,14 mm<sup>2</sup></b>
Conductor cross section AWG K1	<b>26</b>
Wire colour K1	<b>White, brown, green, yellow, grey, pink, blue, red</b>
Stranding K1	<b>8 cores around plastic filler</b>
Shielding K1	<b>No</b>
No. of wires K1	<b>8</b>
Approval cable K1	<b>UL AWM-Style 20233, UL/CSA</b>
Approval of plug-in connector X1	<b>UL94 V-0</b>
Approval of plug-in connector X2	<b>UL94 V-0</b>
Approval of plug-in connector X3	<b>UL94 V-0</b>
Halogen-free	<b>yes</b>
Silicone-free	<b>yes</b>
Oil resistance	<b>Resistant</b>
Non-flammability	<b>cULus 20549</b>
Material	
Housing	<b>TPU, UL94 HB</b>
Weight	<b>35 g</b>

### Order reference

Product type	Features	Connection X1	Connection X2	Connection X3	Order no.
PSEN Y Junction M8-M12/M12 PIGTAIL	Cable separator for PSENcode, PSENs-lock	M12, 8-pin male connector	M12, 8-pin female connector	M8, 8-pin female connector	540 337

# ► Support

Technical support is available from Pilz round the clock.

## Americas

### Brazil

+55 11 97569-2804

### Canada

+1 888-315-PILZ (315-7459)

### Mexico

+52 55 5572 1300

### USA (toll-free)

+1 877-PILZUSA (745-9872)

## Asia

### China

+86 21 60880878-216

### Japan

+81 45 471-2281

### South Korea

+82 31 450 0680

## Australia

+61 3 95600621

## Europe

### Austria

+43 1 7986263-0

### Belgium, Luxembourg

+32 9 3217575

### France

+33 3 88104000

### Germany

+49 711 3409-444

### Ireland

+353 21 4804983

### Italy, Malta

+39 0362 1826711

## Scandinavia

+45 74436332

## Spain

+34 938497433

## Switzerland

+41 62 88979-30

## The Netherlands

+31 347 320477

## Turkey

+90 216 5775552

## United Kingdom

+44 1536 462203

## You can reach our international hotline on:

+49 711 3409-444

support@pilz.com

Pilz develops environmentally-friendly products using ecological materials and energy-saving technologies. Offices and production facilities are ecologically designed, environmentally-aware and energy-saving. So Pilz offers sustainability, plus the security of using energy-efficient products and environmentally-friendly solutions.

*Energy saving by Pilz*



CMSE®, IndurANET p®, PAS4000®, PASscal®, PASconfig®, Pilz®, PIT®, PLID®, PMCPprime®, PMCPprotect®, PMCiendo®, PMD®, PMI®, PNOZ®, Pirmo®, PSEN®, PSENi®, PSS®, PVIS®, SafetyBUS SafetyEYE®, SafetyNET p®, THE SPIRIT OF SAFETY® are registered and protected trademarks of Pilz GmbH & Co. KG in some countries. We would point out that product features mentioned in the details stated in this document, depending on the status at the time of publication and the scope of the equipment. We accept no responsibility for the validity, accuracy and entirety of the text and graphics presented in this information. Please contact our Technical Support if you have any questions.

1003975-EN-05, 2017-09 Printed in Germany  
© Pilz GmbH & Co. KG, 2015

Pilz GmbH & Co. KG  
Felix-Wankel-Straße 2  
73760 Ostfildern, Germany  
Tel.: +49 711 3409-0  
Fax: +49 711 3409-133  
info@pilz.com  
www.pilz.com

**PILZ**  
THE SPIRIT OF SAFETY