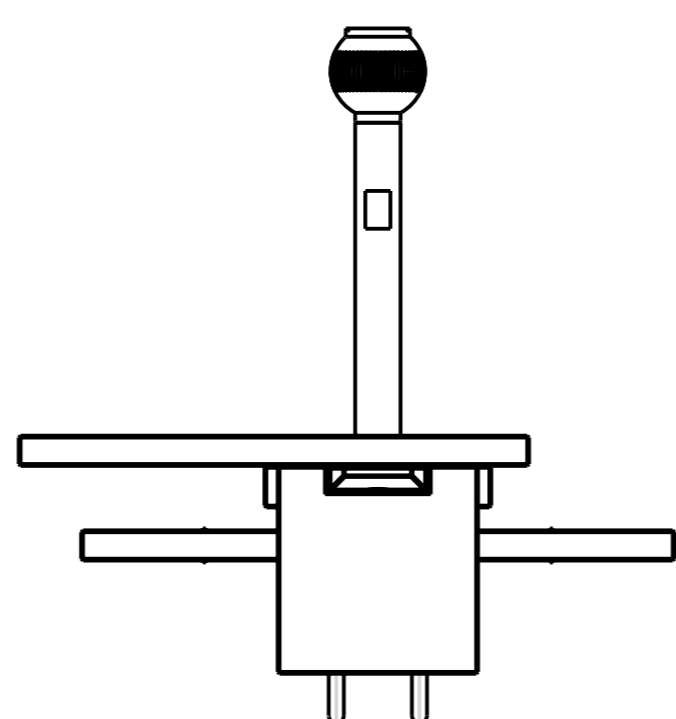
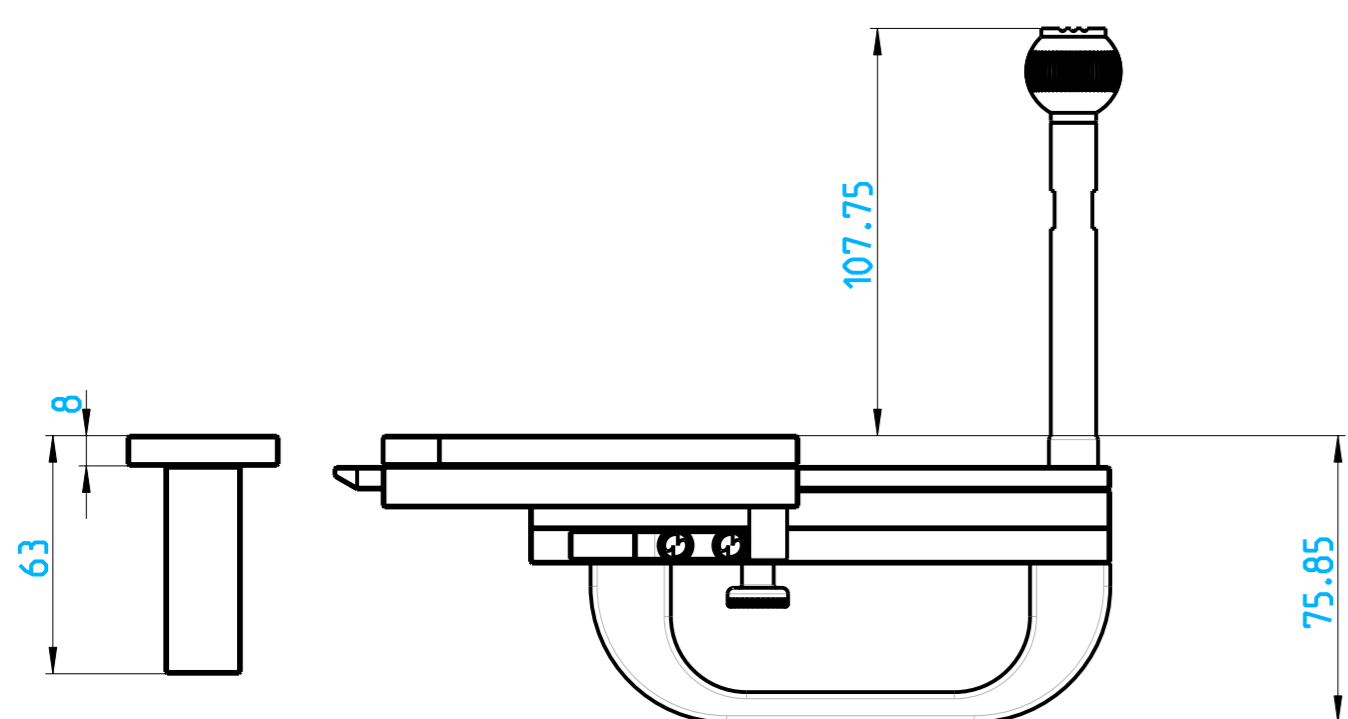
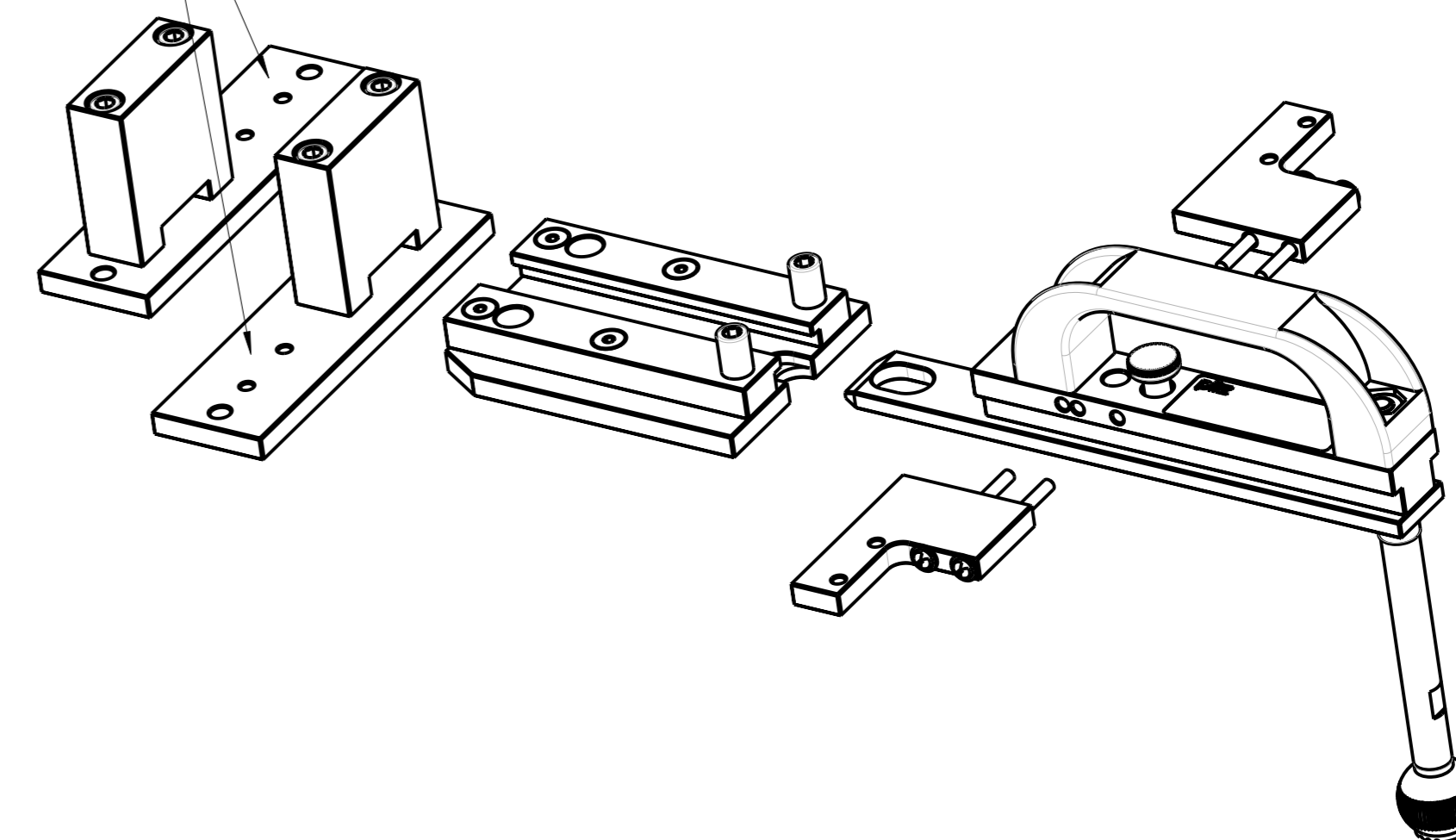


Rechts/Links Montage möglich /
Right/Left side assembly is possible



Index	20100165	22.06.2010	EP-HK	EP-HK	Neuanlage	
Scale		Date	Editor	Checked	new drawing	
Material						
Surface						
Model					MODEL: 2007439	DRW: 2007439
Norm					Internet Dokument	
Surface					Internet dokument	
					PSEN b4	
					Doc.-No.	Page 1
					2007439	1
					Mat.-No.	of 1
					-	