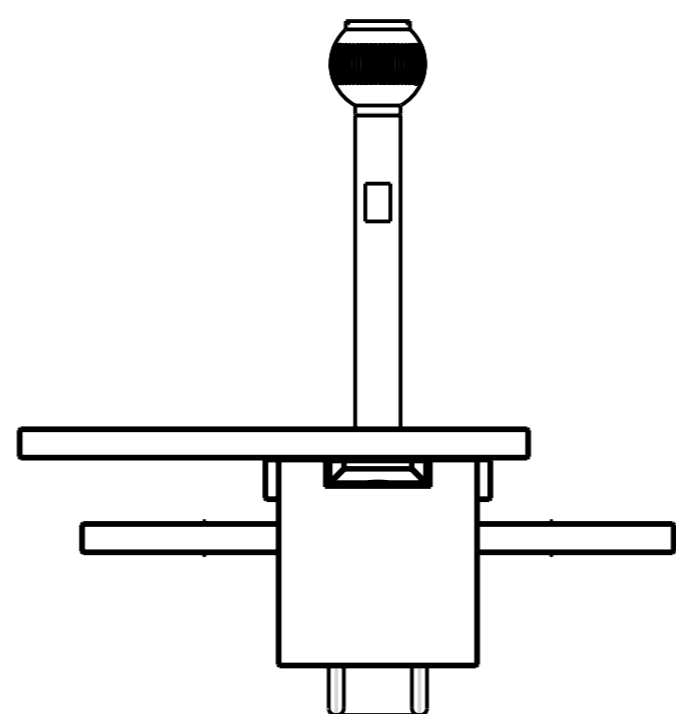
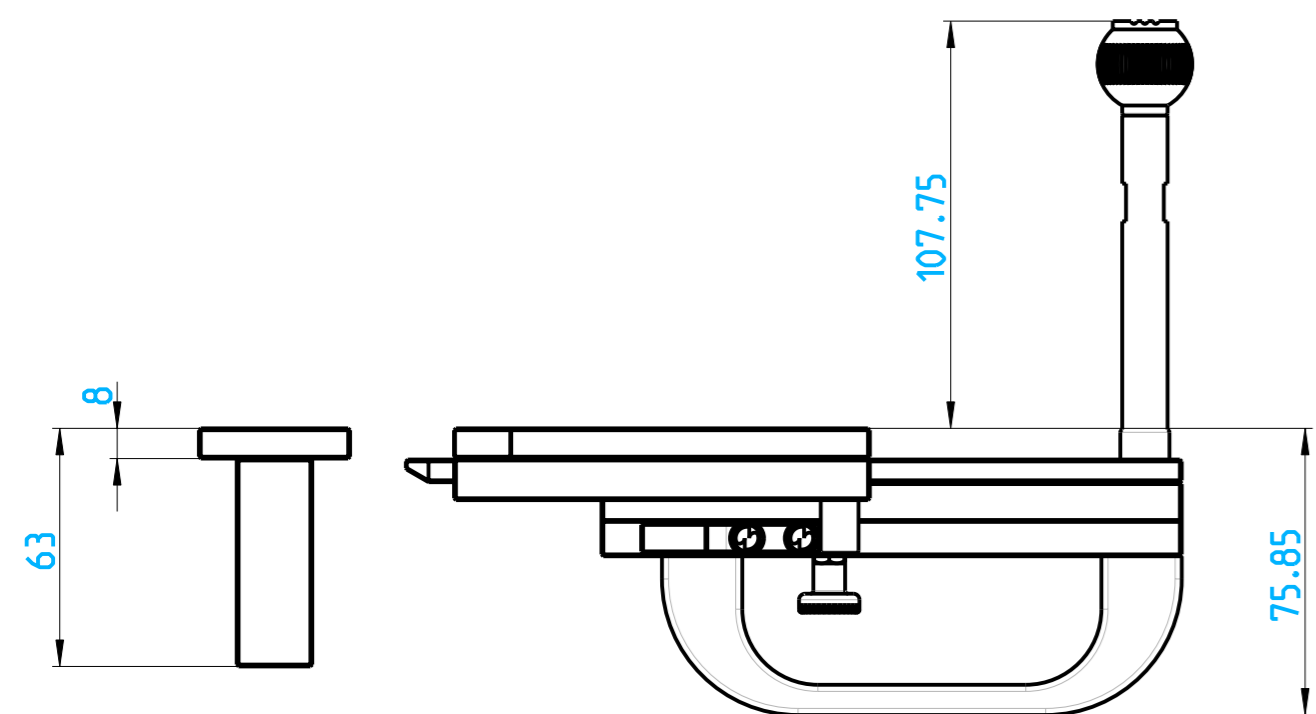
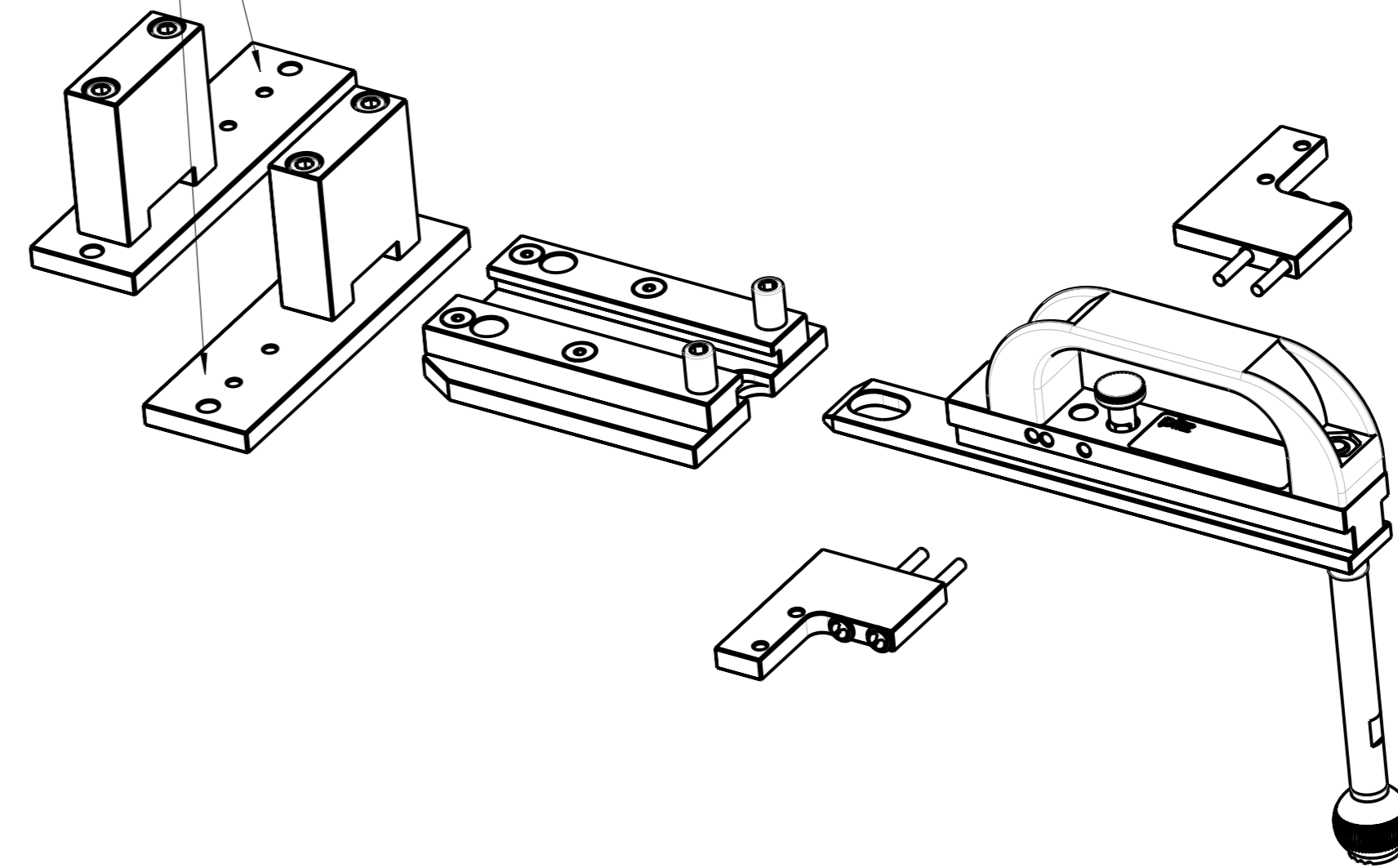
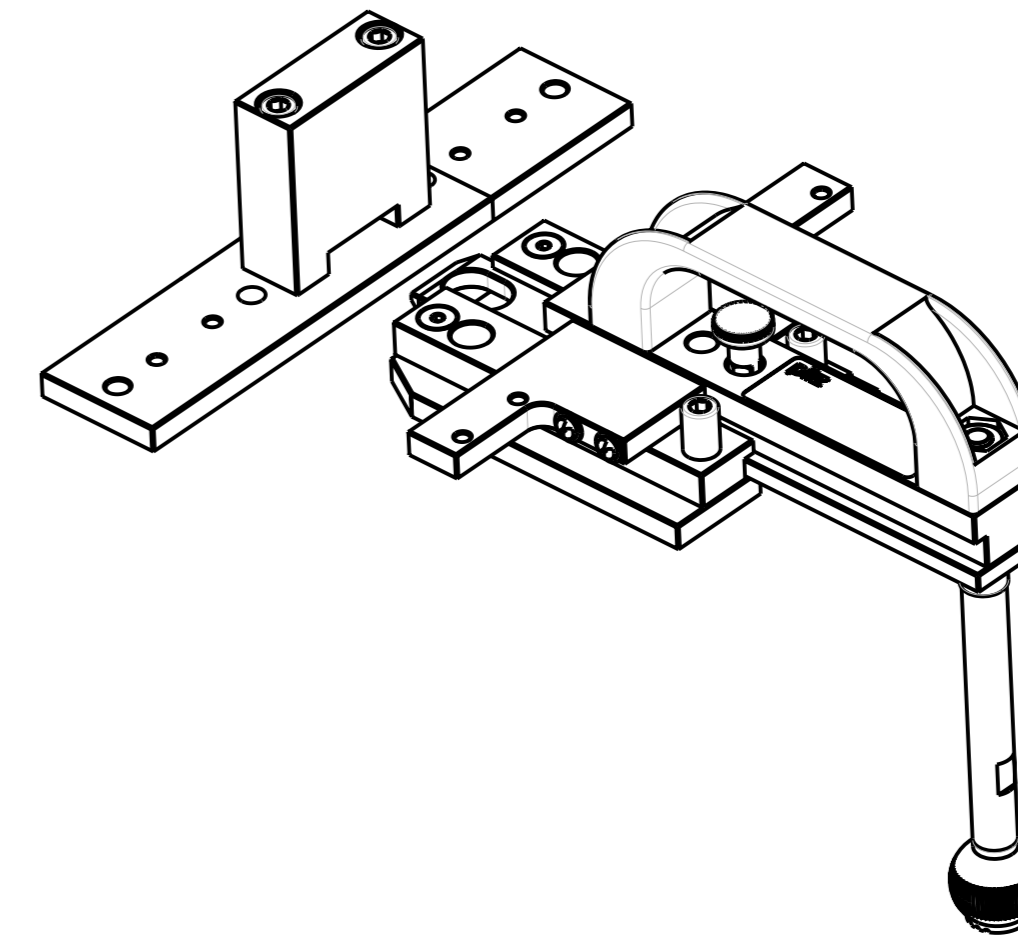


Rechts/Links Montage möglich /
Right/Left side assembly is possible



-	20100165	22.06.2010	EP-HK	EP-HK	Neuanlage		
Index	ECO no.	Date	Editor	Checked	new drawing		
Scale	1:2					MODEL: 2007440	DRW: 2007441
Material						Internet Dokument	
Norm						Internet dokument	
Surface						PSEN b4.1	
						ALL dimensions are in mm	
						Unspecified tolerance	
						Doc.-No.	2007441
						Mat.-No.	-
							Page 1
							of 1