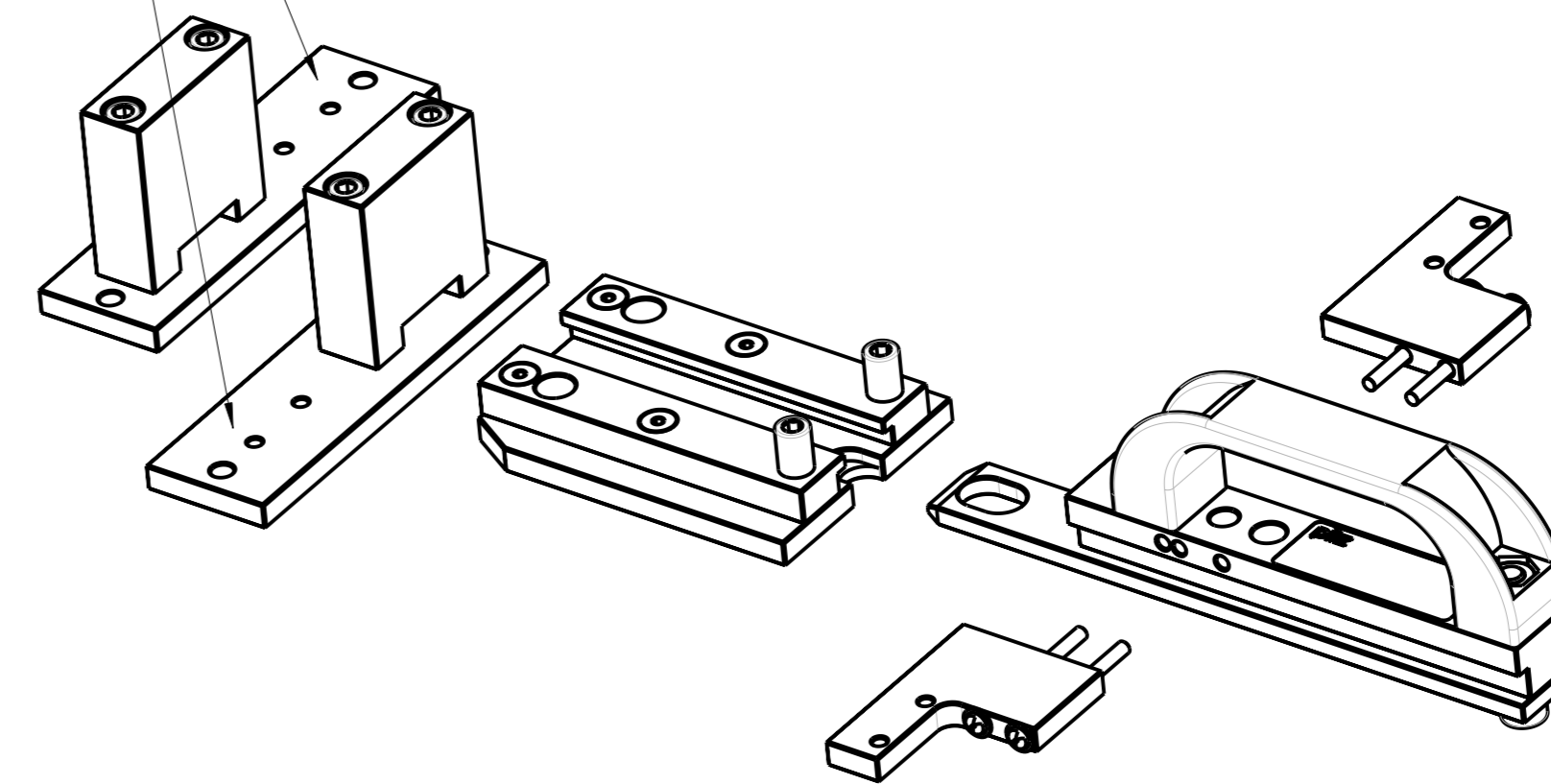
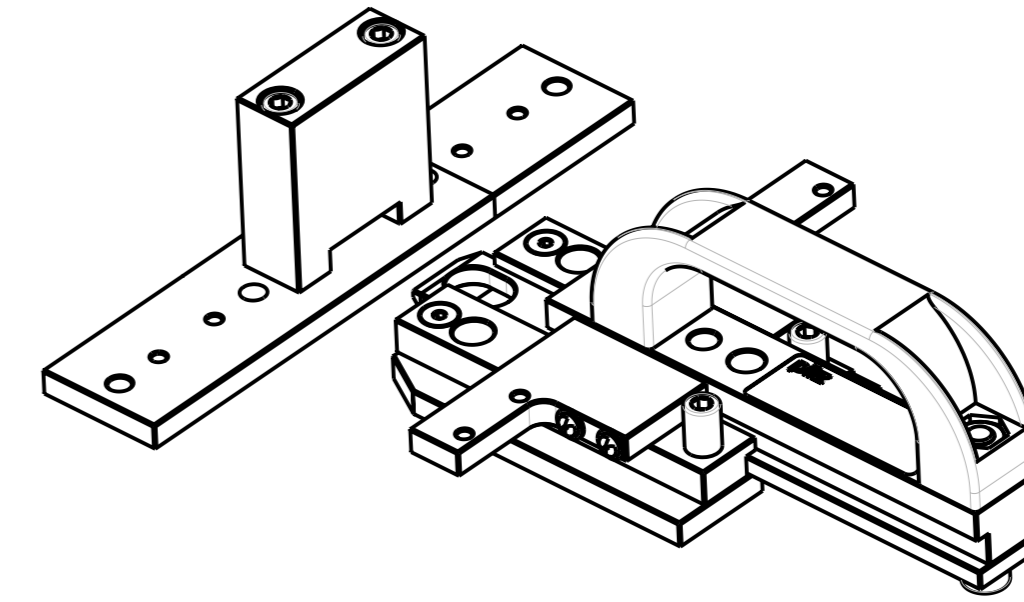


Rechts/Links Montage möglich /
Right/Left side assembly is possible



-	20100165	22.06.2010	EP-HK	EP-HK	Neuanlage		
Index	ECO no.	Date	Editor	Checked	new drawing		
Scale	1:2					MODEL: 2007442	DRW: 2007443
Material						Internet Dokument	
Norm						Internet dokument	
Surface						Psen b3	
						Doc.-No.	2007443
						Mat.-No.	-
							Page 1
							of 1