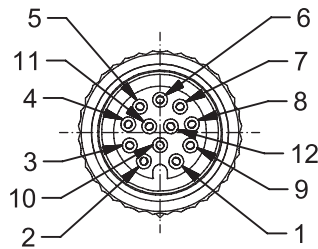


PSEN cable M12 12p

Connector pin assignment

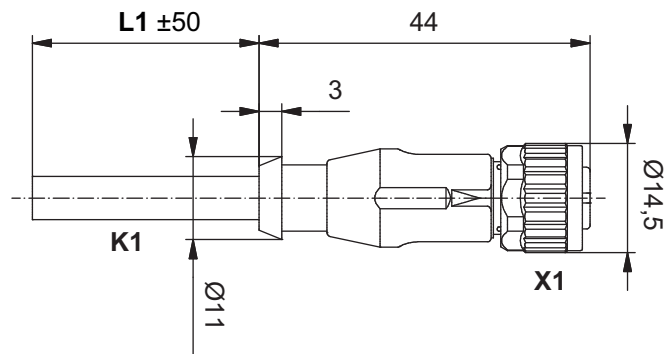
Colour coding

1	brown
2	blue
3	white
4	green
5	pink
6	yellow
7	black
8	grey
9	red
10	violet
11	grey-pink
12	red-blue



Plan view plug-in connector X1

Dimensions in mm



PSEN cable M12 12p

Technical details Order no. 570350 - 570352

Electrical data	570350	570351	570352
Supply voltage			
Current load capacity at UB	2 A	2 A	2 A
Rated voltage			
Voltage UB	30 V	30 V	30 V
Rated current	2 A	2 A	2 A
Typ. conductor resistance K1	max. 84 Ohm/km bei 20 °C	max. 84 Ohm/km bei 20 °C	max. 84 Ohm/km bei 20 °C
Insulation resistance	100 MOhm	100 MOhm	100 MOhm
Environmental data	570350	570351	570352
Ambient temperature			
Temperature range	-30 - 80 °C	-30 - 80 °C	-30 - 80 °C
Airgap creepage			
In accordance with the standard	IEC 60664-1	IEC 60664-1	IEC 60664-1
Pollution degree	2	2	2
Protection type			
X1 when inserted	IP67	IP67	IP67
Housing	IP67	IP67	IP67
Mechanical data	570350	570351	570352
Plug-in connector X1	M12, 12-pin female connector	M12, 12-pin female connector	M12, 12-pin female connector
In accordance with the standard	EN 61076-2-101	EN 61076-2-101	EN 61076-2-101
Form, plug-in connector X1	Straight	Straight	Straight
Material of ring nut X1	GD-Zn, Ni	GD-Zn, Ni	GD-Zn, Ni
Housing material X1	TPU, UL94 HB	TPU, UL94 HB	TPU, UL94 HB
Material of contact surface X1	CuZn, Ni b/Au 0,2 gal.	CuZn, Ni b/Au 0,2 gal.	CuZn, Ni b/Au 0,2 gal.
Material of gasket	FPM	FPM	FPM
Conductor material K1	Cu	Cu	Cu
Insulating cover for conductor K1	PP (9Y)	PP (9Y)	PP (9Y)
Mating cycles X1	100	100	100
Cable type K1	Li9Y11Y	Li9Y11Y	Li9Y11Y
Cable length L1	2 m	3 m	5 m
Colour of housing	black	black	black
Cable insulation material K1	TPU/TPE-U	TPU/TPE-U	TPU/TPE-U

PSEN cable M12 12p

Mechanical data	570350	570351	570352
Drag chain suitable K1	No	No	No
Min. bending radius (fixed permanently) K1	6 x Ø	6 x Ø	6 x Ø
Min. bending radius (moving) K1	12 x Ø	12 x Ø	12 x Ø
Cable diameter K1	5,75 mm	5,75 mm	5,75 mm
Max. cable diameter K1	5,9 mm	5,9 mm	5,9 mm
Conductor cross section K1	0,25 mm ²	0,25 mm ²	0,25 mm ²
Conductor cross section AWG K1	24	24	24
Wire colour K1	Brown, blue, white, green, pink, yellow, black, grey, red, violet, grey-pink, red-blue	Brown, blue, white, green, pink, yellow, black, grey, red, violet, grey-pink, red-blue	Brown, blue, white, green, pink, yellow, black, grey, red, violet, grey-pink, red-blue
Shielding K1	No	No	No
No. of wires K1	12	12	12
Approval cable K1	UL AWM-Style 20233	UL AWM-Style 20233	UL AWM-Style 20233
Approval of plug-in connector X1	UL 94	UL 94	UL 94
Halogen-free	yes	yes	yes
Silicone-free	yes	yes	yes
Oil resistance	Resistant	Resistant	Resistant
Non-flammability	DIN EN 60332-1-2 (60 sec.), UL Cable Flame, FT1	DIN EN 60332-1-2 (60 sec.), UL Cable Flame, FT1	DIN EN 60332-1-2 (60 sec.), UL Cable Flame, FT1
Torque of the interlock screw	0,6 Nm	0,6 Nm	0,6 Nm
Weight	88 g	135 g	230 g

PSEN cable M12 12p

Technical details Order no. 570353 - 570355

Electrical data	570353	570354	570355
Supply voltage			
Current load capacity at UB	2 A	2 A	2 A
Rated voltage			
Voltage UB	30 V	30 V	30 V
Rated current	2 A	2 A	2 A
Typ. conductor resistance K1	max. 84 Ohm/km bei 20 °C	max. 84 Ohm/km bei 20 °C	max. 84 Ohm/km bei 20 °C
Insulation resistance	100 MOhm	100 MOhm	100 MOhm
Environmental data	570353	570354	570355
Ambient temperature			
Temperature range	-30 - 80 °C	-30 - 80 °C	-30 - 80 °C
Airgap creepage			
In accordance with the standard	IEC 60664-1	IEC 60664-1	IEC 60664-1
Pollution degree	2	2	2
Protection type			
X1 when inserted	IP67	IP67	IP67
Housing	IP67	IP67	IP67
Mechanical data	570353	570354	570355
Plug-in connector X1	M12, 12-pin female connector	M12, 12-pin female connector	M12, 12-pin female connector
In accordance with the standard	EN 61076-2-101	EN 61076-2-101	EN 61076-2-101
Form, plug-in connector X1	Straight	Straight	Straight
Material of ring nut X1	GD-Zn, Ni	GD-Zn, Ni	GD-Zn, Ni
Housing material X1	TPU, UL94 HB	TPU, UL94 HB	TPU, UL94 HB
Material of contact surface X1	CuZn, Ni b/Au 0,2 gal.	CuZn, Ni b/Au 0,2 gal.	CuZn, Ni b/Au 0,2 gal.
Material of gasket	FPM	FPM	FPM
Conductor material K1	Cu	Cu	Cu
Insulating cover for conductor K1	PP (9Y)	PP (9Y)	PP (9Y)
Mating cycles X1	100	100	100
Cable type K1	Li9Y11Y	Li9Y11Y	Li9Y11Y
Cable length L1	10 m	20 m	30 m
Colour of housing	black	black	black
Cable insulation material K1	TPU/TPE-U	TPU/TPE-U	TPU/TPE-U

PSEN cable M12 12p

Mechanical data	570353	570354	570355
Drag chain suitable K1	No	No	No
Min. bending radius (fixed permanently) K1	6 x Ø	6 x Ø	6 x Ø
Min. bending radius (moving) K1	12 x Ø	12 x Ø	12 x Ø
Cable diameter K1	5,75 mm	5,75 mm	5,75 mm
Max. cable diameter K1	5,9 mm	5,9 mm	5,9 mm
Conductor cross section K1	0,25 mm ²	0,25 mm ²	0,25 mm ²
Conductor cross section AWG K1	24	24	24
Wire colour K1	Brown, blue, white, green, pink, yellow, black, grey, red, violet, grey-pink, red-blue	Brown, blue, white, green, pink, yellow, black, grey, red, violet, grey-pink, red-blue	Brown, blue, white, green, pink, yellow, black, grey, red, violet, grey-pink, red-blue
Shielding K1	No	No	No
No. of wires K1	12	12	12
Approval cable K1	UL AWM-Style 20233	UL AWM-Style 20233	UL AWM-Style 20233
Approval of plug-in connector X1	UL 94	UL 94	UL 94
Halogen-free	yes	yes	yes
Silicone-free	yes	yes	yes
Oil resistance	Resistant	Resistant	Resistant
Non-flammability	DIN EN 60332-1-2 (60 sec.), UL Cable Flame, FT1	DIN EN 60332-1-2 (60 sec.), UL Cable Flame, FT1	DIN EN 60332-1-2 (60 sec.), UL Cable Flame, FT1
Torque of the interlock screw	0,6 Nm	0,6 Nm	0,6 Nm
Weight	448 g	884 g	1.320 g

PSEN cable M12 12p

Technical details Order no. 570356

Electrical data	
Supply voltage	
Current load capacity at UB	2 A
Rated voltage	
Voltage UB	30 V
Rated current	2 A
Typ. conductor resistance K1	max. 84 Ohm/km bei 20 °C
Insulation resistance	100 MOhm
Environmental data	
Ambient temperature	
Temperature range	-30 - 80 °C
Airgap creepage	
In accordance with the standard	IEC 60664-1
Pollution degree	2
Protection type	
X1 when inserted	IP67
Housing	IP67
Mechanical data	
Plug-in connector X1	M12, 12-pin female connector
In accordance with the standard	EN 61076-2-101
Form, plug-in connector X1	Straight
Material of ring nut X1	GD-Zn, Ni
Housing material X1	TPU, UL94 HB
Material of contact surface X1	CuZn, Ni b/Au 0,2 gal.
Material of gasket	FPM
Conductor material K1	Cu
Insulating cover for conductor K1	PP (9Y)
Mating cycles X1	100
Cable type K1	Li9Y11Y
Cable length L1	50 m
Colour of housing	black
Cable insulation material K1	TPU/TPE-U
Drag chain suitable K1	No
Min. bending radius (fixed permanently) K1	6 x Ø
Min. bending radius (moving) K1	12 x Ø
Cable diameter K1	5,75 mm
Max. cable diameter K1	5,9 mm
Conductor cross section K1	0,25 mm²
Conductor cross section AWG K1	24

PSEN cable M12 12p

Mechanical data	
Wire colour K1	Brown, blue, white, green, pink, yellow, black, grey, red, violet, grey-pink, red-blue
Shielding K1	No
No. of wires K1	12
Approval cable K1	UL AWM-Style 20233
Approval of plug-in connector X1	UL 94
Halogen-free	yes
Silicone-free	yes
Oil resistance	Resistant
Non-flammability	DIN EN 60332-1-2 (60 sec.), UL Cable Flame, FT1
Torque of the interlock screw	0,6 Nm
Weight	1.756 g

Order reference

Product type	Features	Connector X1	Connector X2	Connector X3	Order no.
PSEN cable M12-12sf 2m	2 m	M12, 12-pin female connector, straight			570 350
PSEN cable M12-12sf 3m	3 m	M12, 12-pin female connector, straight			570 351
PSEN cable M12-12sf 5m	5 m	M12, 12-pin female connector, straight			570 352
PSEN cable M12-12sf 10m	10 m	M12, 12-pin female connector, straight			570 353
PSEN cable M12-12sf 20m	20 m	M12, 12-pin female connector, straight			570 354
PSEN cable M12-12sf 30m	30 m	M12, 12-pin female connector, straight			570 355
PSEN cable M12-12sf 50m	50 m	M12, 12-pin female connector, straight			570 356