



PSEN cs3.19n

PILZ
THE SPIRIT OF SAFETY

- ▶ PSEN sensor technology

This document is the original document.

Where unavoidable, for reasons of readability, the masculine form has been selected when formulating this document. We do assure you that all persons are regarded without discrimination and on an equal basis.

All rights to this documentation are reserved by Pilz GmbH & Co. KG. Copies may be made for the user's internal purposes. Suggestions and comments for improving this documentation will be gratefully received.

Pilz®, PIT®, PMI®, PNOZ®, Primo®, PSEN®, PSS®, PVIS®, SafetyBUS p®, SafetyEYE®, SafetyNET p®, the spirit of safety® are registered and protected trademarks of Pilz GmbH & Co. KG in some countries.



SD means Secure Digital

Introduction	5
Validity of documentation.....	5
Using the documentation	5
Definition of symbols.....	5
Safety	6
Intended use	6
Safety regulations	7
Safety assessment	7
Use of qualified personnel	7
Warranty and liability	7
Disposal	7
For your safety	8
Unit features	8
Function description	8
Block diagram	9
Operating distances	9
Lateral and vertical offset.....	10
Distance between actuators	10
Wiring	11
Pin assignment, connector and cable	11
Connection to evaluation devices	11
Teaching in the actuator	13
Installation	14
Adjustment	17
Operation	17
Dimensions in mm	18
Technical details	19
Safety characteristic data	22
Supplementary data	23
Radio approval.....	23
Order reference	24
System.....	24
Accessories	24

EC declaration of conformity	26
UKCA-Declaration of Conformity	26

Introduction

Validity of documentation

This documentation is valid for the product PSEN cs3.19n. It is valid until new documentation is published.

This operating manual explains the function and operation, describes the installation and provides guidelines on how to connect the product.

Using the documentation

This document is intended for instruction. Only install and commission the product if you have read and understood this document. The document should be retained for future reference.

Definition of symbols

Information that is particularly important is identified as follows:



DANGER!

This warning must be heeded! It warns of a hazardous situation that poses an immediate threat of serious injury and death and indicates preventive measures that can be taken.



WARNING!

This warning must be heeded! It warns of a hazardous situation that could lead to serious injury and death and indicates preventive measures that can be taken.



CAUTION!

This refers to a hazard that can lead to a less serious or minor injury plus material damage, and also provides information on preventive measures that can be taken.



NOTICE

This describes a situation in which the product or devices could be damaged and also provides information on preventive measures that can be taken. It also highlights areas within the text that are of particular importance.



INFORMATION

This gives advice on applications and provides information on special features.

Safety

Intended use

Safety function of safety switch:

- ▶ 2 safety outputs each supply a high signal, depending on which actuator is in the safety switch's response range (see [Function description](#) [8]).

The safety switch meets the requirements in accordance with:

- ▶ EN 60947-5-3 with the actuator PSEN cs3.19: PDDB
- ▶ EN 62061: Up to max. SIL CL 3 (see [Safety characteristic data](#) [22])
- ▶ EN ISO 13849-1: PL e (Cat. 4) (see [Safety characteristic data](#) [22])
- ▶ EN ISO 14119: Coding level Low, Type 4

The safety switch may only be used with the corresponding actuators PSEN cs3.19 (OSSD1, OSSD2, OSSD1&2).

The safety level PL e (Cat. 4)/SIL CL 3 (see [Safety characteristic data](#) [22]) is only achieved if

- ▶ the safety outputs use 2-channel processing
- ▶ the actuators are used in accordance with the details stated in the safety-related characteristic data.

Improper use

The following is deemed improper use in particular

- ▶ Any component, technical or electrical modification to the product,
- ▶ Use of the product outside the areas described in this operating manual,
- ▶ Use of the product outside the technical details (see [Technical details](#) [19]).



NOTICE

EMC-compliant electrical installation

The product is designed for use in an industrial environment. The product may cause interference if installed in other environments. If installed in other environments, measures should be taken to comply with the applicable standards and directives for the respective installation site with regard to interference.

Safety regulations

Safety assessment

Before using a device, a safety assessment in accordance with the Machinery Directive is required.

The product as an individual component fulfils the functional safety requirements in accordance with EN ISO 13849 and EN 62061. However, this does not guarantee the functional safety of the overall plant/machine. To achieve the relevant safety level of the overall plant/machine's required safety functions, each safety function needs to be considered separately.

Use of qualified personnel

The products may only be assembled, installed, programmed, commissioned, operated, maintained and decommissioned by persons who are competent to do so.

A competent person is a qualified and knowledgeable person who, because of their training, experience and current professional activity, has the specialist knowledge required. To be able to inspect, assess and operate devices, systems and machines, the person has to be informed of the state of the art and the applicable national, European and international laws, directives and standards.

It is the company's responsibility only to employ personnel who

- ▶ Are familiar with the basic regulations concerning health and safety / accident prevention,
- ▶ Have read and understood the information provided in the section entitled Safety
- ▶ Have a good knowledge of the generic and specialist standards applicable to the specific application.

Warranty and liability

All claims to warranty and liability will be rendered invalid if

- ▶ The product was used contrary to the purpose for which it is intended,
- ▶ Damage can be attributed to not having followed the guidelines in the manual,
- ▶ Operating personnel are not suitably qualified,
- ▶ Any type of modification has been made (e.g. exchanging components on the PCB boards, soldering work etc.).

Disposal

- ▶ In safety-related applications, please comply with the mission time T_M in the safety-related characteristic data.
- ▶ When decommissioning, please comply with local regulations regarding the disposal of electronic devices (e.g. Electrical and Electronic Equipment Act).

For your safety



WARNING!

Loss of safety function due to manipulation of the interlocking device

Manipulation of the interlocking device may lead to serious injury and death.

- You should prevent any possibility of the interlocking device being manipulated through the use of a spare actuator.
- Keep the substitute actuator in a safe place and protect it from unauthorised access.
- If substitute actuators are used, these must be installed as described under [Installation](#) [14].
- If the original actuators are replaced with substitute actuators, the original actuators must be destroyed before disposal.

- ▶ Do not remove the connector's protective cap until you are just about to connect the unit. This will prevent potential contamination.

Unit features

- ▶ Transponder technology for presence detection
- ▶ Pilz coding type: Coded
- ▶ Dual-channel operation
- ▶ 2 safety outputs
- ▶ 3 actuators
- ▶ LED display for:
 - State of the actuator
 - Supply voltage/fault
- ▶ 1 direction of actuation
- ▶ 5-pin M12 male connector

Function description

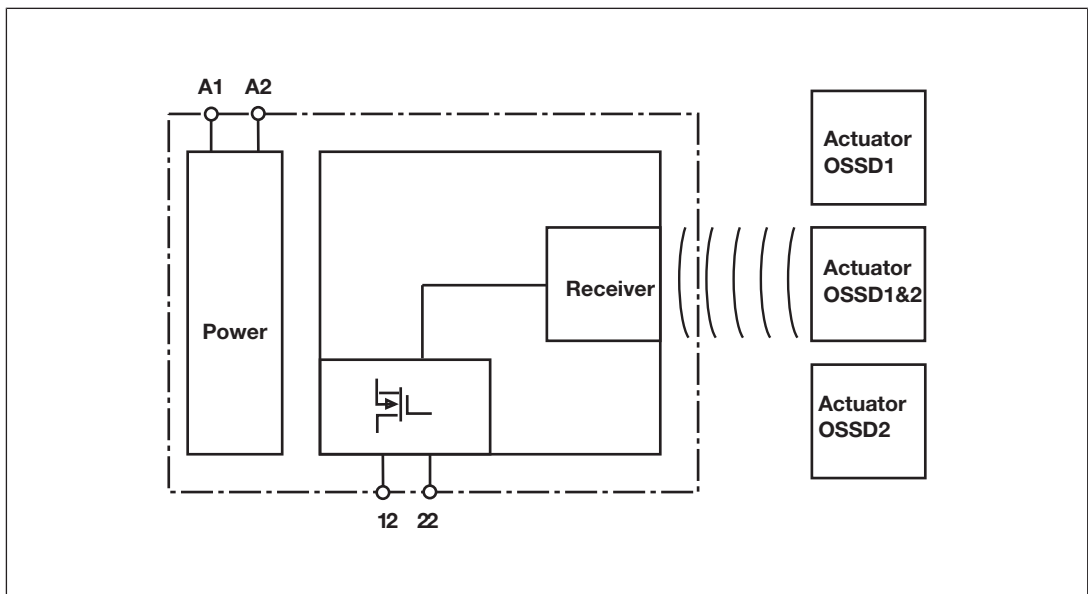
The safety outputs may have a high or low signal, depending on the position of the actuator.

In a safe condition the safety outputs are in the OFF state.

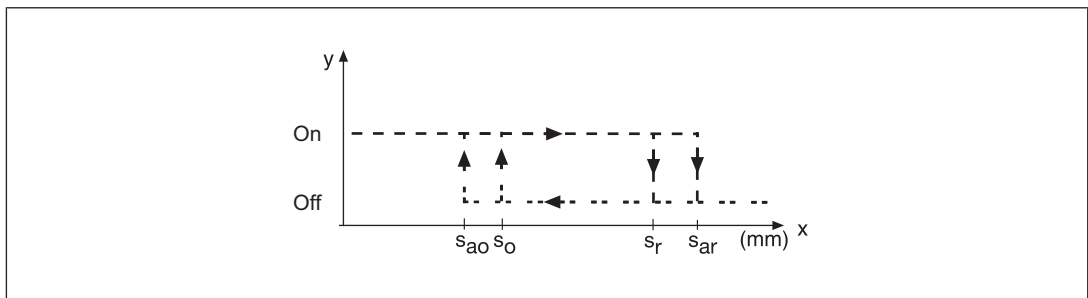
State of the outputs:

Actuator in the re- sponse range	Safety out- put 12	Safety output 22	LED OSSD1	LED OSSD2
OSSD1	High	Low	☉	●
OSSD2	Low	High	●	☉
OSSD1&2	High	High	☉	☉
---	Low	Low	●	●

Block diagram



Operating distances



Legend:

- ▶ S_{ao} Assured operating distance: 8 mm
- ▶ S_o Typical operating distance: 11 mm
- ▶ S_r Typical release distance: 14 mm
- ▶ S_{ar} Assured release distance: 20 mm

Lateral and vertical offset

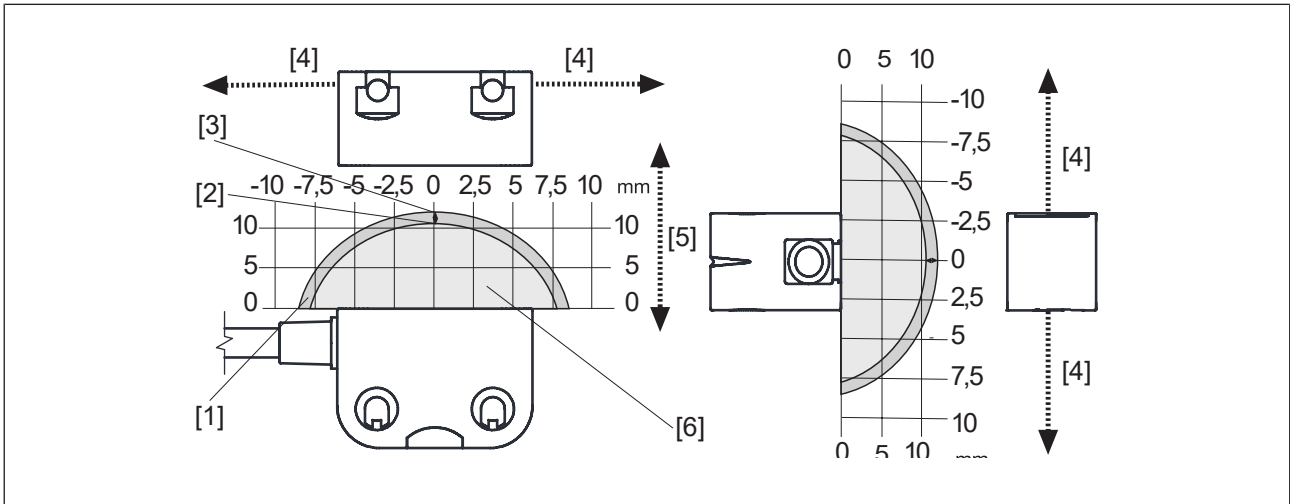
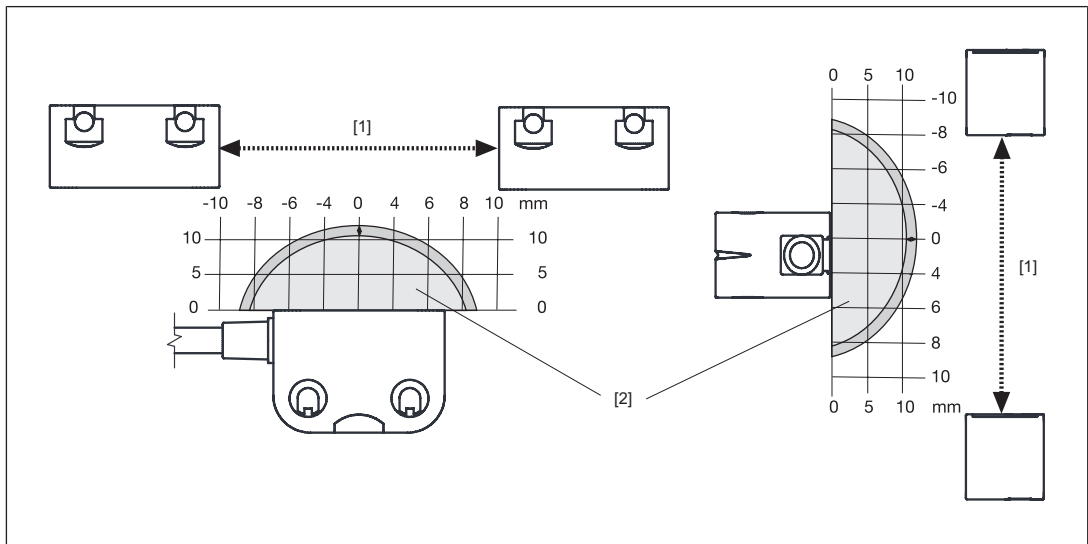


Fig.: Safety switches PSEN cs3.19n with actuator ?

Legend

- [1] Hysteresis
- [2] Typical operating distance S_o
- [3] Typical release distance S_r
- [4] Offset in mm
- [5] Operating distance in mm
- [6] Response range

Distance between actuators



- ▶ [1]: Min. distance between 2 actuators: when the direction of actuation is from the front/ side
- ▶ [2]: Response range

**NOTICE**

To detect the actuator without error, it is necessary to maintain

- a minimum [time difference](#) [📖 19] between 2 actuators when the actuators approach the response range,
- the max. [approach speed](#) [📖 19].

Wiring

Please note:

- ▶ Information given in the "Technical details" must be followed.
- ▶ The power supply must meet the regulations for extra low voltages with protective electrical separation (SELV, PELV).
- ▶ The inputs and outputs of the safety switch must have protective separation from voltages over 60 VDC.
- ▶ The supply voltage to the safety switch must be protected with a 2 A to 4 A quick-acting fuse.
- ▶ Ensure the wiring and EMC requirements of EN 60204-1 are met.

Pin assignment, connector and cable

PIN	Pin designation	Function	Wire colour
1	A1	+24 UB	Brown
2	12	Output, channel1	White
3	A2	0 V UB	Blue
4	22	Output, channel2	Black
5	-	Do not connect	Grey

The wire colour also applies for the cable available from Pilz as an accessory.

Connection to evaluation devices

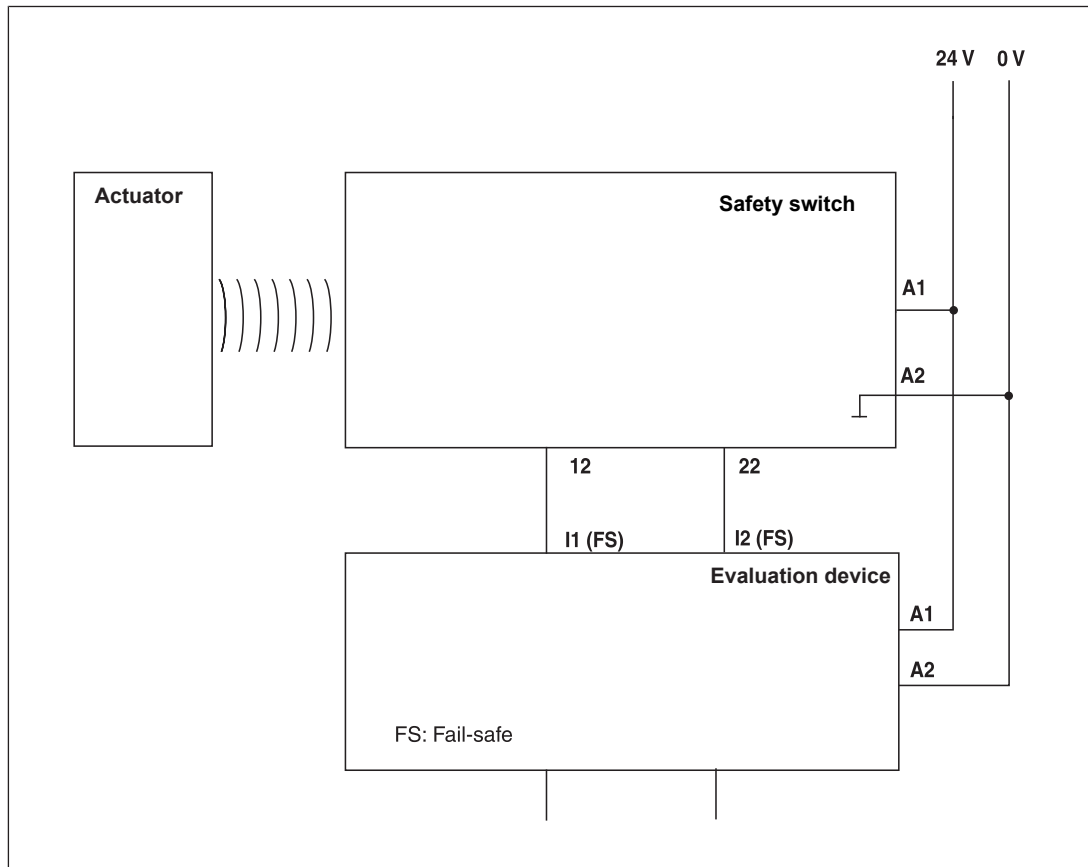
Make sure that the selected evaluation device has the following property:

- ▶ OSSD signals are evaluated through 2 channels with plausibility monitoring

Note:

- ▶ Information given in the [Technical details](#) [📖 19] must be followed.

Connection diagram, single connection



Suitable Pilz evaluation devices are, for example:

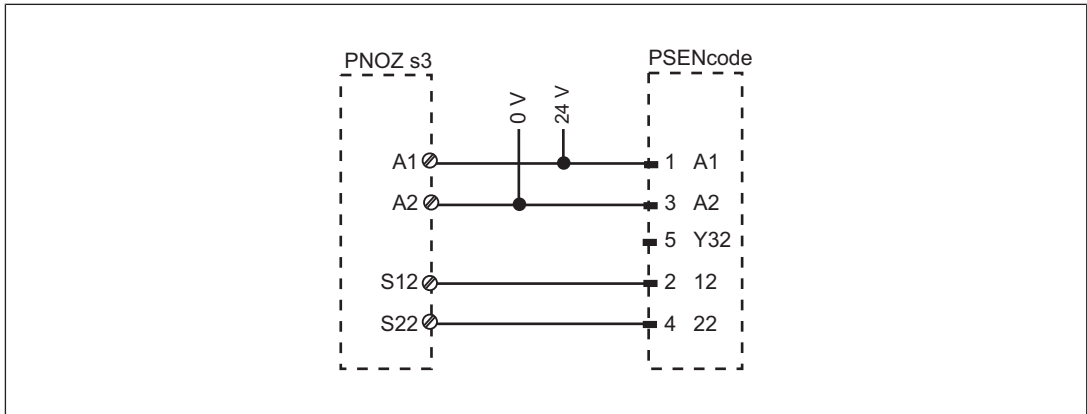
- ▶ PNOZelog for safety gate monitoring
- ▶ PNOZpower for safety gate monitoring
- ▶ PNOZsigma for safety gate monitoring
- ▶ PNOZ X for safety gate monitoring
- ▶ PNOZmulti for safety gate monitoring
Configure the switch in the PNOZmulti Configurator with switch type 3.
- ▶ PSS for safety gate monitoring with standard function block SB064, SB066 or FS_Safety Gate
- ▶ PSSuniversal PLC for safety gate monitoring with function block FS_SafetyGate

The correct connection to the respective evaluation device is described in the operating manual for the evaluation device. Make sure that the connection is made in accordance with the specifications in the operating manual for the selected evaluation device.

The connections to two evaluation devices are shown on the following pages, by way of example:

- ▶ PNOZ s3 and
- ▶ PNOZmulti

PNOZ s3



PNOZmulti

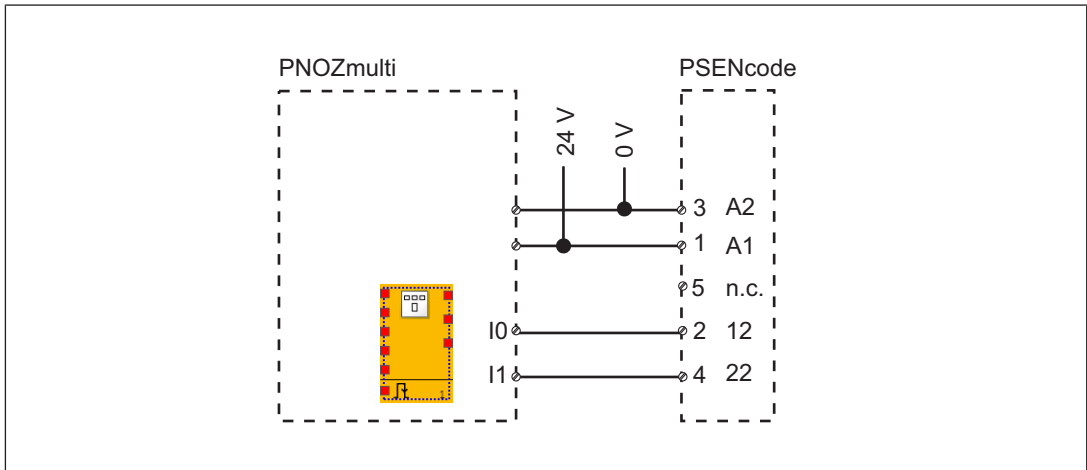


Fig.: Selection in the PNOZmulti Configurator PSENcode with three actuators as an example

Teaching in the actuator




Any approved Pilz actuator (see [Intended use \[6\]](#)) is detected as soon as it is brought into the response range.

Installation




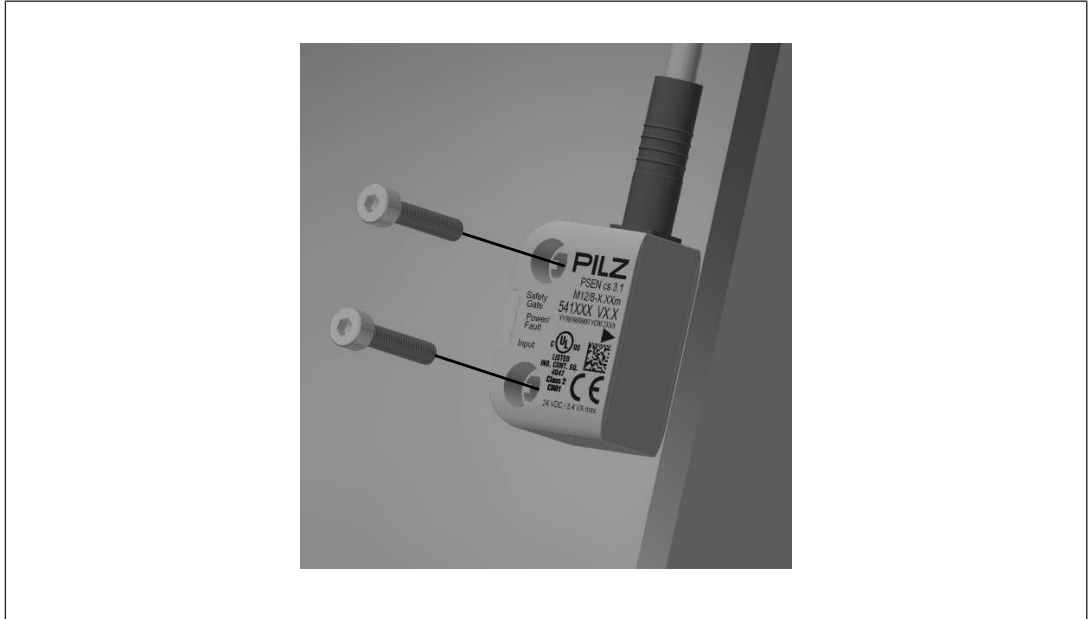
CAUTION!

The unit's properties may be affected if installed in an environment containing electrically or magnetically conductive material. Please check the operating distances and the assured release distance.

- ▶ The safety switch and actuators should be installed opposite each other in parallel. Make sure that all the actuators are in the position intended for operating the safety switch, parallel to the safety switch.
- ▶ Safety switches and actuators should only be secured using M4 screws with a flat head (e.g. M4 cheese-head or pan head screws).
- ▶ The actuator should be protected from unauthorised removal and from contamination. Close the mounting holes using the seals provided. The use of seals should be regarded as equivalent to using permanent fastenings in accordance with EN ISO 14119.
- ▶ Torque setting: Please note the information provided under [Technical details](#)  19).
- ▶ The distance between two safety switches must be maintained (see [Technical details](#)  19).
- ▶ Please note the permitted bending radii for the cable (see [Technical details](#)  19)), to avoid excessive force on the individual strands.
- ▶ Make sure that the bend protection is not damaged. Such damage can cause the whole product to fail.
- ▶ Make sure that the safety switch and actuator cannot be used as an end stop.

Procedure:

1. Drill holes in the mounting surface
 - ⇒ Drill holes (for M4 screws) in the mounting surface to secure the actuator and safety switch (see [Dimensions](#) [ 18]).
2. Fix the safety switch in place
 - ⇒ Use two screws to fix the safety switch in place. Do not fully tighten the 2nd screw on the safety switch.



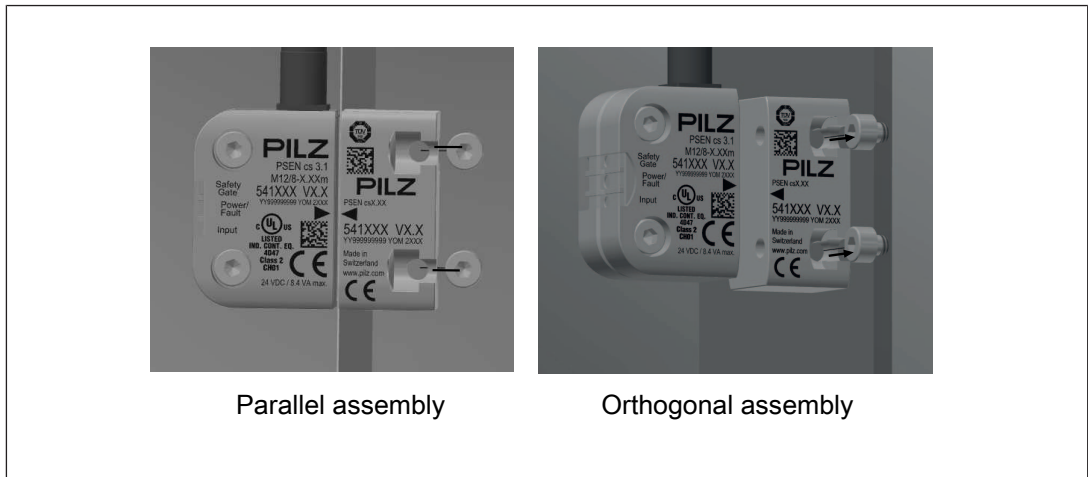
3. Attach screws for the actuator
 - ⇒ Attach the screws for the actuator, leaving a distance of 3 ... 6 mm between the screw head and plate.
4. Attach actuator

Parallel assembly

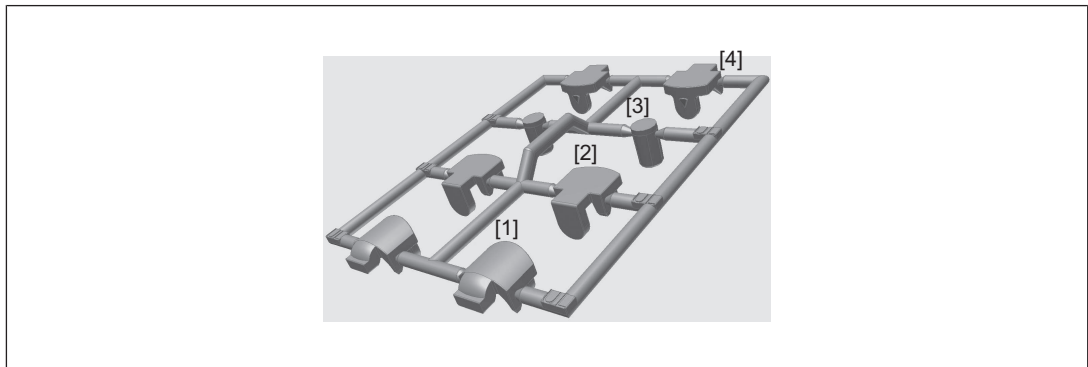
 - ⇒ Slide the actuator on to the screws. The arrows on the labelled surfaces of the safety switch and actuator must face each other. Align the actuator and tighten the screws.

Orthogonal assembly

 - ⇒ Slide the actuator on to the screws. The arrows on the labelled surfaces of the safety switch and actuator must face each other. Align the actuator and tighten the screws.






5. Attach safety switch
 - ⇒ Align the safety switch and tighten the screws.
6. Use seals to close the mounting holes
 - For the next steps you will need the seals as illustrated.



Legend

- [1] Side seal with UL approval
 - [2] Bottom seal
 - [3] Top seal, sensing side
 - [4] Side seal without UL approval
7. Close the mounting holes on the actuator
 - ⇒ Use the seals to close the screws' mounting holes on the actuator
 - [1] With UL approval,
 - [4] Without UL approval.
 8. Close the mounting holes on the safety switch
 - ⇒ Use the seals [3] to close the mounting holes on the sensing face of the safety switch.
 9. Close unused mounting holes on the actuator
 - ⇒ Use the seals [2] to close the unused mounting holes on the actuator.

Adjustment

- ▶ The stated operating distances (see [Technical details](#)  19) only apply when the safety switch and actuator are installed facing each other in parallel. Operating distances may deviate if other arrangements are used.
- ▶ Note the maximum permitted lateral and vertical offset (see [Operating distances](#)  9) and [Lateral and vertical offset](#)  10).

Operation



NOTICE

The safety function should be checked after initial commissioning and each time the plant/machine is changed. The safety functions may only be checked by qualified personnel.

Check the function of the safety switch before commissioning.

Status indicators:

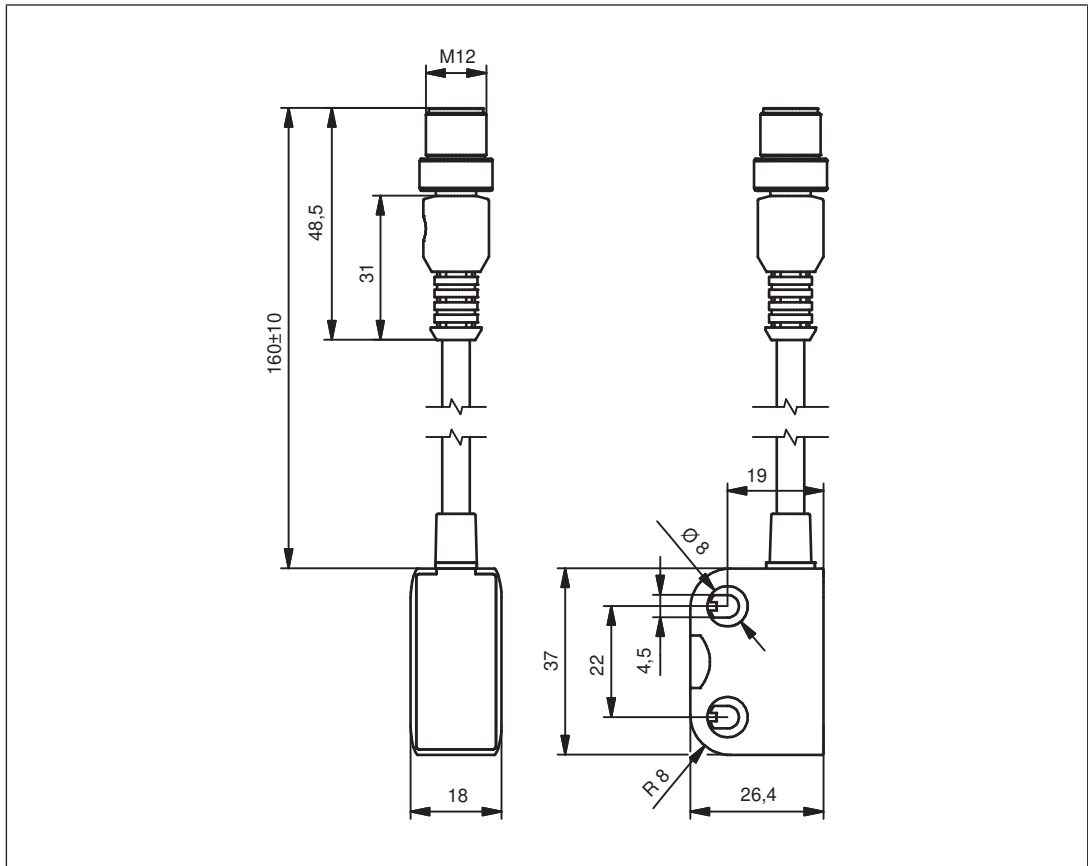
- ▶ "POWER/Fault" LED lights up green: The unit is ready for operation
- ▶ "OSSD1" LED lights up yellow and "OSSD2" LED is off
 - Actuator OSSD1 is in the response range
- ▶ "OSSD2" LED lights up yellow and "OSSD1" LED is off
 - Actuator OSSD2 is in the response range
- ▶ "OSSD1" and "OSSD2" LEDs light up yellow: Actuators OSSD1&2 are in the response range

Fault indicator:

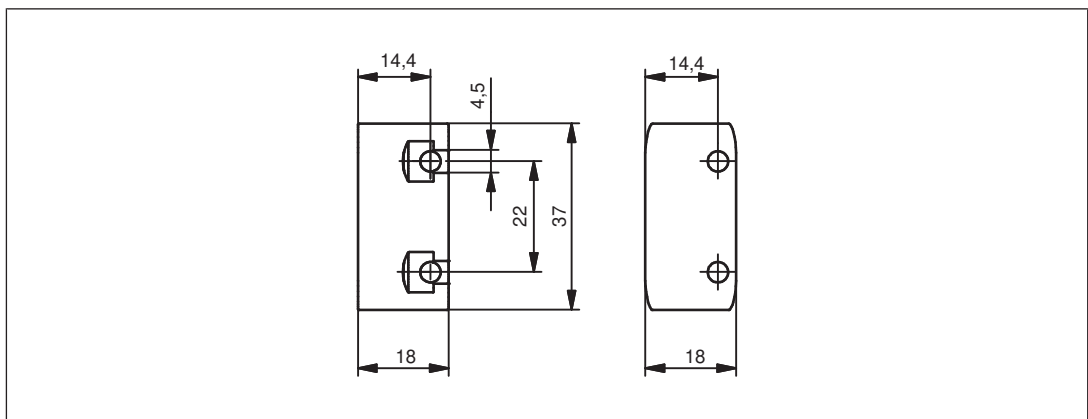
- ▶ "POWER/Fault" LED lights up red: Error message.
Remedy: Disconnect power supply and rectify error. Reconnect power supply.

Dimensions in mm

Safety switch



Actuator



Technical details

General	541303	541304	541305
Certifications	CE, EAC, FCC, IC, TÜV, UKCA, cULus Listed	CE, EAC, FCC, IC, TÜV, UKCA, cULus Listed	CE, EAC, FCC, IC, TÜV, UKCA, cULus Listed
Sensor's mode of operation	Transponder	Transponder	Transponder
Coding level in accordance with EN ISO 14119	Low	Low	Low
Design in accordance with EN ISO 14119	4	4	4
Classification in accordance with EN 60947-5-3	PDDB	PDDB	PDDB
Pilz coding type	Coded	Coded	Coded
Transponder	541303	541304	541305
Frequency band	122 kHz - 128 kHz	122 kHz - 128 kHz	122 kHz - 128 kHz
Max. transmitter output	15 mW	15 mW	15 mW
Electrical data	541303	541304	541305
Supply voltage			
Voltage	24 V	24 V	24 V
Kind	DC	DC	DC
Voltage tolerance	-20 %/+20 %	-20 %/+20 %	-20 %/+20 %
Output of external power supply (DC)	1 W	1 W	1 W
Max. switching frequency	1 Hz	1 Hz	1 Hz
Max. cable capacitance at the safety outputs			
No-load, PNOZ with relay contacts	400 nF	400 nF	400 nF
PNOZmulti, PNOZelog, PSS	400 nF	400 nF	400 nF
Max. inrush current impulse			
Current pulse, A1	0,58 A	0,58 A	0,58 A
Pulse duration, A1	1 ms	1 ms	1 ms
No-load current	20 mA	20 mA	20 mA
Semiconductor outputs	541303	541304	541305
Number of OSSD safety outputs	2	2	2
Switching current per output	100 mA	100 mA	100 mA
Breaking capacity per output	2,4 W	2,4 W	2,4 W
Potential isolation from system voltage	No	No	No
Short circuit-proof	yes	yes	yes
Residual current at outputs	20 µA	20 µA	20 µA

Semiconductor outputs	541303	541304	541305
Voltage drop at OSSDs	3,5 V	3,5 V	3,5 V
Lowest operating current	0 mA	0 mA	0 mA
Utilisation category in accordance with EN 60947-1	DC-12	DC-12	DC-12
Times	541303	541304	541305
Test pulse duration, safety outputs	450 µs	450 µs	450 µs
Switch-on delay			
after UB is applied	1,2 s	1,2 s	1,2 s
Actuator typ.	65 ms	65 ms	65 ms
Actuator max.	210 ms	210 ms	210 ms
Delay-on de-energisation			
Actuator typ.	40 ms	40 ms	40 ms
Actuator max.	260 ms	260 ms	260 ms
Supply interruption before de-energisation	10 ms	10 ms	10 ms
Simultaneity, channel 1 and 2 max.	∞	∞	∞
Environmental data	541303	541304	541305
Ambient temperature			
In accordance with the standard	EN 60068-2-14	EN 60068-2-14	EN 60068-2-14
Temperature range	-25 - 55 °C	-25 - 55 °C	-25 - 55 °C
Storage temperature			
In accordance with the standard	EN 60068-2-1/-2	EN 60068-2-1/-2	EN 60068-2-1/-2
Temperature range	-25 - 70 °C	-25 - 70 °C	-25 - 70 °C
Climatic suitability			
In accordance with the standard	EN 60068-2-78	EN 60068-2-78	EN 60068-2-78
Humidity	93 % r. h. at 40 °C	93 % r. h. at 40 °C	93 % r. h. at 40 °C
EMC	EN 60947-5-3	EN 60947-5-3	EN 60947-5-3
Vibration			
In accordance with the standard	EN 60947-5-2	EN 60947-5-2	EN 60947-5-2
Frequency	10 - 55 Hz	10 - 55 Hz	10 - 55 Hz
Amplitude	1 mm	1 mm	1 mm
Shock stress			
In accordance with the standard	EN 60947-5-2	EN 60947-5-2	EN 60947-5-2
Acceleration	30g	30g	30g
Duration	18 ms	18 ms	18 ms
Airgap creepage			
Overvoltage category	III	III	III
Pollution degree	3	3	3
Rated insulation voltage	75 V	75 V	75 V

Environmental data	541303	541304	541305
Rated impulse withstand voltage	0,8 kV	0,8 kV	0,8 kV
Protection type			
Housing	IP6K9K	IP6K9K	IP6K9K
Connector	IP67	IP67	IP67
Operating distances	541303	541304	541305
Assured operating distance S_{ao}	8 mm	8 mm	8 mm
Typical operating distance S_o	11 mm	11 mm	11 mm
Assured release distance S_{ar}	20 mm	20 mm	20 mm
Typical release distance S_r	14 mm	14 mm	14 mm
Repetition accuracy switching distances	10 %	10 %	10 %
Change of operating distance with temperature changes	+0,01mm/°C	+0,01mm/°C	+0,01mm/°C
Typ. Hysteresis	2 mm	2 mm	2 mm
Mechanical data	541303	541304	541305
Min. bending radius (fixed permanently) K1	5 x Ø	5 x Ø	5 x Ø
Min. bending radius (moving) K1	10 x Ø	10 x Ø	10 x Ø
Cable diameter K1	5,55 mm	5,55 mm	5,55 mm
Min. distance between 2 actuators with frontal approach	20 mm	20 mm	20 mm
Max. approach speed	32 mm/s	32 mm/s	32 mm/s
Min. time difference between the approach of the actuators	0,5 s	0,5 s	0,5 s
Actuator 1	PSEN cs3.19	PSEN cs3.19	PSEN cs3.19
Min. distance between safety switches	100 mm	100 mm	100 mm
Sensor flush installation in accordance with EN 60947-5-2	yes, follow installation guidelines	yes, follow installation guidelines	yes, follow installation guidelines
Connection type	M12, 5-pin male connector	M12, 5-pin male connector	M12, 5-pin male connector
Cable	Li9Y11Y 8 x 0,14 mm ²	Li9Y11Y 8 x 0,14 mm ²	Li9Y11Y 8 x 0,14 mm ²
Material			
Top	PBT	PBT	PBT
Max. torque setting for fixing screws	0,8 Nm	0,8 Nm	0,8 Nm

Mechanical data	541303	541304	541305
Dimensions			
Height	37 mm	37 mm	37 mm
Width	26 mm	26 mm	26 mm
Depth	18 mm	18 mm	18 mm
Actuator dimensions			
Height	37 mm	37 mm	37 mm
Width	18 mm	18 mm	18 mm
Depth	18 mm	18 mm	18 mm
Weight of safety switch	40 g	40 g	40 g
Weight of actuator	10 g	10 g	10 g
Weight	70 g	50 g	60 g

Where standards are undated, the 2016-10 latest editions shall apply.

Safety characteristic data

The max. safety level that can be achieved depends on the number of actuators used. Diagnostics must be performed to achieve a higher safety level.

Number of actuators	Actuators used	Dia-gnostics	EN ISO 13849-1: 2015 PL	EN IEC 62061 SIL CL	EN IEC 62061 PFH [1/h]	t _M [year]	Comment
1	OSSD1&2	----	PL e (Cat. 4)	SIL CL 3	2,61E-09	20	(1)
2	OSSD1 OSSD2	----	PL c (Cat. 1)	SIL CL 1	6,14E-08	20	
2	OSSD1 OSSD2	X	PL d (Cat. 2)	SIL CL 2	2,91E-08	20	(2)
3	OSSD1&2 OSSD1 OSSD2	----	PL c (Cat. 1)	SIL CL 1	6,14E-08	20	
3	OSSD1&2	X	PL d (Cat. 2)	SIL CL 2	2,91E-08	20	
	OSSD1 OSSD2	X	PL c (Cat. 2)	SIL CL 1	6,14E-08	20	

(1) Prerequisites:

Dual-channel evaluation of OSSDs

The actuators OSSD1 and OSSD2 are unused and can never come within the sensor's response range.

(2) Requirements:

The actuator OSSD1&2 is unused and can never come within the sensor's response range.

Diagnostics

Diagnostics must detect stuck-at faults and faults in the sensor supply lines (e. g. shorts across contacts, short circuits, open circuits). To do this, a safety system must perform a feasibility check. Each time before the safety function is initiated, the safety switch must run through defined states. If this does not occur within a defined time (depending on the application) the programmable safety system must safely shut down the plant/machine. The behaviour of the feasibility check must be verified during initial commissioning.

Example:

Monitoring two positions of a turntable

1. Turntable on position 1 Actuator OSSD1 is detected
2. Turntable turns on position 2 Actuator OSSD2 is detected

Sequence of the defined states:

1. Actuator OSSD1 is detected
2. No actuator in the response range
3. Actuator OSSD2 is detected

If these states are not run through within the specified time, the programmable safety system switches off the turntable.

Supplementary data

Radio approval

USA/Canada

FC FCC ID: VT8-PSENC3
IC: 7482A-PSENC3

FCC/IC-Requirements:

This product complies with Part 15 of the FCC Rules and with Industry Canada licence-exempt RSS standards.

Operation is subject to the following two conditions:

- 1) this product may not cause harmful interference, and
- 2) this product must accept any interference received, including interference that may cause undesired operation.

Changes or modifications made to this product not expressly approved by Pilz may void the FCC authorization to operate this equipment.

NOTE: This equipment has been tested and found to comply with the limits for a Class A digital device, pursuant to Part 15 of the FCC Rules. These limits are designed to provide reasonable protection against harmful interference when the equipment is operated in a commercial environment. This equipment generates, uses, and can radiate radio frequency energy and, if not installed and used in accordance with the instruction manual, may cause harmful interference to radio communications. Operation of this equipment in a residential area is likely to cause harmful interference in which case the user will be required to correct the interference at his own expense.

Le présent produit est conforme aux CNR d'Industrie Canada applicables aux appareils radio exempts de licence. L'exploitation est autorisée aux deux conditions suivantes:

- (1) le produit ne doit pas produire de brouillage, et
- (2) l'utilisateur de le produit doit accepter tout brouillage radioélectrique subi, même si le brouillage est susceptible d'en compromettre le fonctionnement.

Order reference

System

Product type	Features	Connection type	Order no.
PSEN cs3.19n/PSEN cs3.19 1sw/3actuators	Safety gate system, coded, 3 actuators	5-pin M12 male connector	541303
PSEN cs3.19n/PSEN cs3.19 1sw+OSSD1&2	Safety gate system, coded, 1 actuator	5-pin M12 male connector	541304
PSEN cs3.19n/PSEN cs3.19 1sw+OSSD1+OSSD2	Safety gate system, coded, 2 actuators	5-pin M12 male connector	541305
PSEN cs3.19n (switch)	Safety switch, coded	5-pin M12 male connector	541353
PSEN cs3.19 OSSD1&2	Actuator, coded		541380
PSEN cs3.19 OSSD1	Actuator, coded		541382
PSEN cs3.19 OSSD2	Actuator, coded		541383

Accessories

Installation material

Product type	Features	Order no.
PSEN bracket	Mounting bracket	532110
PSEN mag/cs bracket straight	Mounting aid	532111
PSEN screw M4x20 10pcs	Safety screws made from stainless steel with one-way slot	540313
PSEN screw M4x26 10pcs	Safety screws made from stainless steel with one-way slot	540314
PSEN screw M5x10 10pcs	Safety screws made from stainless steel with one-way slot	540311
PSEN screw M5x20 10pcs	Safety screws made from stainless steel with one-way slot	540312
PSEN cs1/2 bracket cable fix	Mechanical protection against defeat, protecting against unauthorised cable disconnection or damage for safety switches PSENcode cs1/2, PSENcode cs5/6 M12, PSENSlock	532112

Cable

Product type	Connection 1	Connection 2	Length	Order No.
PSS67/PDP67 cable M12-5sf	straight, M12, 5-pin, socket	straight, M12, 5-pin, connector	3 m	380208
			5 m	380209
			10 m	380210
			20 m	380220
			30 m	380211
PSS67/PDP67 cable M12-5af	Angled, M12, 5-pin, socket	Angled, M12, 5-pin, connector	3 m	380212
			5 m	380213
			10 m	380214
			30 m	380215
PSEN cable M12-5sf	straight, M12, 5-pin, socket	Open cable	3 m	630310
			5 m	630311
			10 m	630312
			20 m	630298
			30 m	630297
PSEN cable M12-5af	Angled, M12, 5-pin, socket	Open cable	3 m	630347
			5 m	630348
			10 m	630349
			30 m	630350
PDP67 F 8DI ION	Decentralised input module IP67 for PNOZmulti			773600

EC declaration of conformity

This product/these products meet the requirements of the following directives of the European Parliament and of the Council.

- ▶ 2006/42/EC on machines
- ▶ 2014/53/EC on radio equipment

The complete EC Declaration of Conformity is available on the Internet at www.pilz.com/downloads.

Representative: Norbert Fröhlich, Pilz GmbH & Co. KG, Felix-Wankel-Str. 2, 73760 Ostfildern, Germany

UKCA-Declaration of Conformity

This product(s) complies with following UK legislation:

- ▶ Supply of Machinery (Safety) Regulations 2008
- ▶ Radio Equipment Regulations 2017

The complete UKCA Declaration of Conformity is available on the Internet at www.pilz.com/support/downloads.

Representative: Pilz Automation Technology, Pilz House, Little Colliers Field, Corby, Northamptonshire, NN18 8TJ United Kingdom, eMail: mail@pilz.co.uk

► Support

Technical support is available from Pilz round the clock.

Americas

Brazil

+55 11 97569-2804

Canada

+1 888 315 7459

Mexico

+52 55 5572 1300

USA (toll-free)

+1 877-PILZUSA (745-9872)

Asia

China

+86 21 60880878-216

Japan

+81 45 471-2281

South Korea

+82 31 778 3300

Australia and Oceania

Australia

+61 3 95600621

New Zealand

+64 9 6345350

Europe

Austria

+43 1 7986263-0

Belgium, Luxembourg

+32 9 3217570

France

+33 3 88104003

Germany

+49 711 3409-444

Ireland

+353 21 4804983

Italy, Malta

+39 0362 1826711

Scandinavia

+45 74436332

Spain

+34 938497433

Switzerland

+41 62 88979-32

The Netherlands

+31 347 320477

Turkey

+90 216 5775552

United Kingdom

+44 1536 462203

You can reach our international hotline on:

+49 711 3409-222

support@pilz.com

Pilz develops environmentally-friendly products using ecological materials and energy-saving technologies. Offices and production facilities are ecologically designed, environmentally-aware and energy-saving. So Pilz offers sustainability, plus the security of using energy-efficient products and environmentally-friendly solutions.



We are represented internationally. Please refer to our homepage www.pilz.com for further details or contact our headquarters.

Headquarters: Pilz GmbH & Co. KG, Felix-Wankel-Straße 2, 73760 Ostfildern, Germany
Telephone: +49 711 3409-0, Telefax: +49 711 3409-133, E-Mail: info@pilz.com, Internet: www.pilz.com

PILZ
THE SPIRIT OF SAFETY