



Visualisation; Diagnostics

Easy to Configure

Programming IEC 61131-3

Rapid Installation

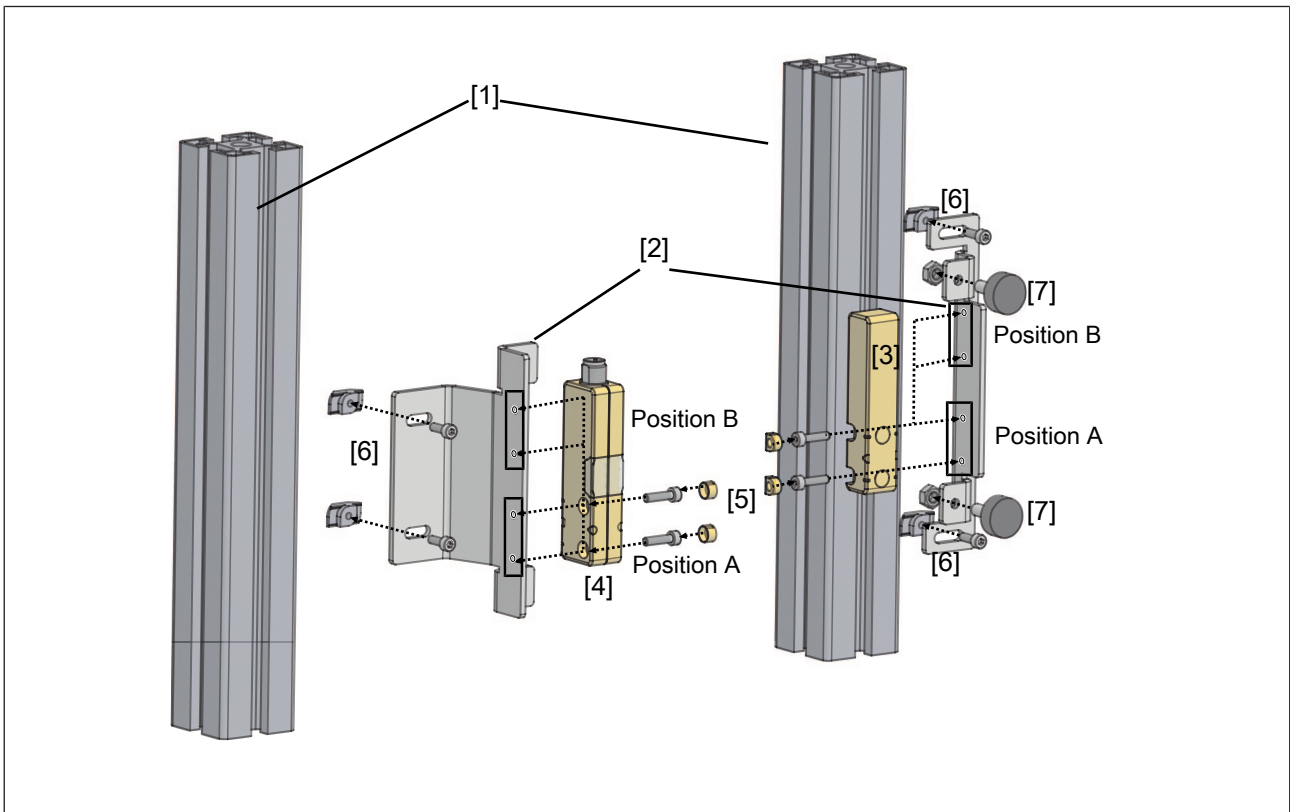
## PSEN cs bracket stop swinging door

# PILZ

THE SPIRIT OF SAFETY

► PSEN sensor technology

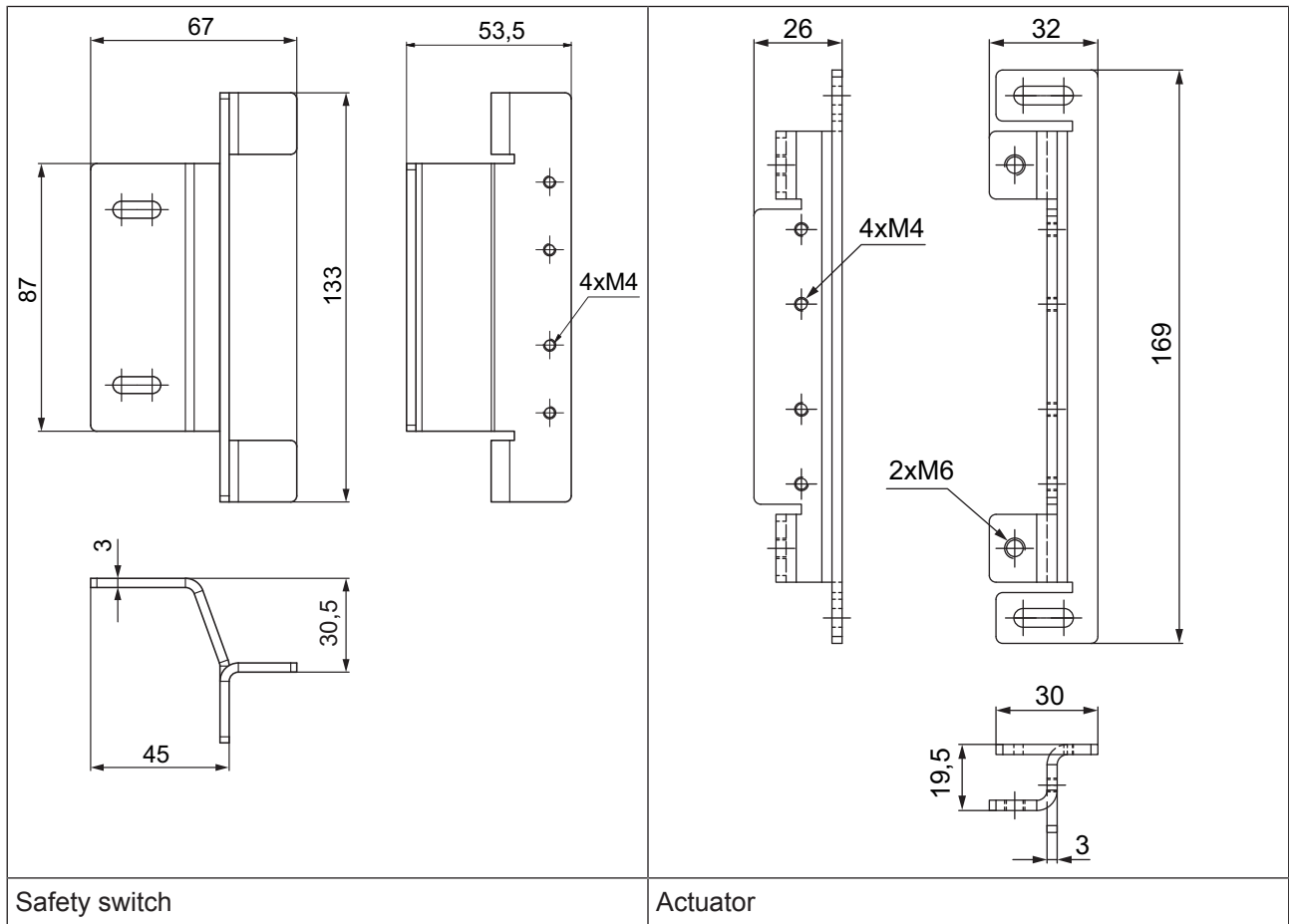
### Description



### Legend

- |     |  |     |  |
|-----|--|-----|--|
| [1] | Strut profile 40/45 mm   | [2] | PSEN cs bracket stop swinging door   |
| [3] | Actuator:<br>PSEN cs5.11 M12<br>PSEN cs6.11 M12  | [4] | Safety switches:<br>PSEN cs5.11 M12/8,<br>PSEN cs6.11 M12/8<br>PSEN cs6.21 M12/8   |
| [5] | 2x2 hexagon socket cylinder head screw without shaft for attaching the safety switch/actuator to the bracket<br>▶ ISO 4762-M4x16-8.8 | [6] | 2x2 hexagon socket countersunk screw without shaft for attaching the bracket to the strut profile<br>▶ ISO 7991-M4x12-8.8 with washer<br>ISO 7093-4-140 HV |
| [7] | 2 damping elements   |     |  |

### Dimensions in mm



### Technical details

#### Mechanical data

Mechanical life	<b>100,000 cycles</b>
Material	<b>Stainless steel</b>
Weight	<b>346 g</b>



#### NOTICE

The specified service life is only valid for the following application conditions.

- Door mass  $\leq 10$  kg
- Max. retract speed of actuator  $\leq 0.7$  m/s

### Order reference

Product type	Features	Order no.
PSEN cs bracket stop swinging door	Assembly guide for PSEN cs 5.x and 6.x on strut profile (2x) for swinging door	532 108

# ► Support

Technical support is available from Pilz round the clock.

## Americas

### Brazil

+55 11 97569-2804

### Canada

+1 888-315-PILZ (315-7459)

### Mexico

+52 55 5572 1300

### USA (toll-free)

+1 877-PILZUSA (745-9872)

## Asia

### China

+86 21 60880878-216

### Japan

+81 45 471-2281

### South Korea

+82 31 450 0680

## Australia

+61 3 95600621

## Europe

### Austria

+43 1 7986263-0

### Belgium, Luxembourg

+32 9 3217575

### France

+33 3 88104000

### Germany

+49 711 3409-444

### Ireland

+353 21 4804983

### Italy, Malta

+39 0362 1826711

## Scandinavia

+45 74436332

## Spain

+34 938497433

## Switzerland

+41 62 88979-30

## The Netherlands

+31 347 320477

## Turkey

+90 216 5775552

## United Kingdom

+44 1536 462203

### You can reach our international hotline on:

+49 711 3409-444

support@pilz.com

Pilz develops environmentally-friendly products using ecological materials and energy-saving technologies. Offices and production facilities are ecologically designed, environmentally-aware and energy-saving. So Pilz offers sustainability, plus the security of using energy-efficient products and environmentally-friendly solutions.

*Energy saving by Pilz*



Pilz GmbH & Co. KG  
Felix-Wankel-Straße 2  
73760 Ostfildern, Germany  
Tel.: +49 711 3409-0  
Fax: +49 711 3409-133  
info@pilz.com  
www.pilz.com

**PILZ**  
THE SPIRIT OF SAFETY

CMSE®, IndurANET p®, PAS4000®, PASscal®, PASconfig®, Pilz®, PIT®, PLID®, PMCPirotego®, PMCiendo®, PMD®, PMI®, PNOZ®, Pirmo®, PSEN®, PSENi®, PSS®, PVIS®, SafetyBUS SafetyEYE®, SafetyNET p®, THE SPIRIT OF SAFETY® are registered and protected trademarks of Pilz GmbH & Co. KG in some countries. We would point out that product features mentioned in the details stated in this document, depending on the status at the time of publication and the scope of the equipment. We accept no responsibility for the validity, accuracy and entirety of the text and graphics presented in this information. Please contact our Technical Support if you have any questions.