



PSEN ma1.3a/b-20

PILZ
THE SPIRIT OF SAFETY

- ▶ PSEN sensor technology

This document is the original document.

Where unavoidable, for reasons of readability, the masculine form has been selected when formulating this document. We do assure you that all persons are regarded without discrimination and on an equal basis.

All rights to this documentation are reserved by Pilz GmbH & Co. KG. Copies may be made for the user's internal purposes. Suggestions and comments for improving this documentation will be gratefully received.

Pilz®, PIT®, PMI®, PNOZ®, Primo®, PSEN®, PSS®, PVIS®, SafetyBUS p®, SafetyEYE®, SafetyNET p®, the spirit of safety® are registered and protected trademarks of Pilz GmbH & Co. KG in some countries.



SD means Secure Digital

Introduction	4
Validity of documentation	4
Using the documentation	4
Definition of symbols	4
Safety	5
Intended use	5
Safety regulations	5
Safety assessment	5
Use of qualified personnel	6
Warranty and liability	6
Disposal	6
For your safety	6
Unit features	7
Function description	7
Block diagram	7
Operating distances	8
Lateral and vertical offset	8
Wiring	10
Pin assignment	11
Requirements and connection to evaluation devices	11
Installation	14
Adjustment	17
Periodic test	17
Dimensions in mm	18
Technical details order no. 506220, 506230	19
Technical details order no. 506222, 506232	21
Safety characteristic data	23
Order reference	24
System	24
Accessories	24
EC declaration of conformity	25
UKCA-Declaration of Conformity	25

Introduction

Validity of documentation

This documentation is valid for the product PSEN ma1.3a/b-20. It is valid until new documentation is published.

This operating manual explains the function and operation, describes the installation and provides guidelines on how to connect the product.

Using the documentation

This document is intended for instruction. Only install and commission the product if you have read and understood this document. The document should be retained for future reference.

Definition of symbols

Information that is particularly important is identified as follows:



DANGER!

This warning must be heeded! It warns of a hazardous situation that poses an immediate threat of serious injury and death and indicates preventive measures that can be taken.



WARNING!

This warning must be heeded! It warns of a hazardous situation that could lead to serious injury and death and indicates preventive measures that can be taken.



CAUTION!

This refers to a hazard that can lead to a less serious or minor injury plus material damage, and also provides information on preventive measures that can be taken.



NOTICE

This describes a situation in which the product or devices could be damaged and also provides information on preventive measures that can be taken. It also highlights areas within the text that are of particular importance.



INFORMATION

This gives advice on applications and provides information on special features.


Safety

Intended use

The safety function of the safety switch is:


- ▶ The safety contacts open when the actuator is removed beyond the assured release distance s_{ar} or when the actuator is not detected.

The safety switch meets the requirements in accordance with:

- ▶ EN 60947-5-3: PDDDB only in connection
 - with the operator PSEN ma1.3-08 or operator PSEN ma1.3-12 and
 - the suitable evaluation devices (see [Requirements and connection to evaluation devices](#) [ 11]).

Improper use

The following is deemed improper use in particular

- ▶ Any component, technical or electrical modification to the product,
- ▶ Use of the product outside the areas described in this operating manual,
- ▶ Use of the product outside the technical details (see [Technical details](#) [ 19]).



NOTICE

EMC-compliant electrical installation

The product is designed for use in an industrial environment. The product may cause interference if installed in other environments. If installed in other environments, measures should be taken to comply with the applicable standards and directives for the respective installation site with regard to interference.

Safety regulations

Safety assessment

Before using a device, a safety assessment in accordance with the Machinery Directive is required.

The product as an individual component fulfils the functional safety requirements in accordance with EN ISO 13849 and EN 62061. However, this does not guarantee the functional safety of the overall plant/machine. To achieve the relevant safety level of the overall plant/machine's required safety functions, each safety function needs to be considered separately.

Use of qualified personnel

The products may only be assembled, installed, programmed, commissioned, operated, maintained and decommissioned by persons who are competent to do so.

A competent person is a qualified and knowledgeable person who, because of their training, experience and current professional activity, has the specialist knowledge required. To be able to inspect, assess and operate devices, systems and machines, the person has to be informed of the state of the art and the applicable national, European and international laws, directives and standards.

It is the company's responsibility only to employ personnel who

- ▶ Are familiar with the basic regulations concerning health and safety / accident prevention,
- ▶ Have read and understood the information provided in the section entitled Safety
- ▶ Have a good knowledge of the generic and specialist standards applicable to the specific application.

Warranty and liability

All claims to warranty and liability will be rendered invalid if

- ▶ The product was used contrary to the purpose for which it is intended,
- ▶ Damage can be attributed to not having followed the guidelines in the manual,
- ▶ Operating personnel are not suitably qualified,
- ▶ Any type of modification has been made (e.g. exchanging components on the PCB boards, soldering work etc.).

Disposal

- ▶ In safety-related applications, please comply with the mission time T_M in the safety-related characteristic data.
- ▶ When decommissioning, please comply with local regulations regarding the disposal of electronic devices (e.g. Electrical and Electronic Equipment Act).


For your safety




WARNING!

Loss of safety function due to manipulation of the interlocking device

Manipulation of the interlocking device may lead to serious injury and death.

- You should prevent any possibility of the interlocking device being manipulated through the use of a spare actuator.
- Keep the substitute actuator in a safe place and protect it from unauthorised access.
- If substitute actuators are used, these must be installed as described under [Installation](#) [ 14].
- If the original actuators are replaced with substitute actuators, the original actuators must be destroyed before disposal.



Unit features

- ▶ The actuator PSEN ma1.3-08 or PSEN ma1.3-12 belongs to the safety switch.
- ▶ Coded actuator
- ▶ Safety switch with cable (5 m/ 10 m)
- ▶ 2 safety contacts (reed contacts - N/O)
- ▶ 1 auxiliary contact (N/O)
- ▶ Different operating distances depending on the actuator see [Technical details](#)  [19]
- ▶ Design:
 - Safety switch with round design
 - Actuator with round design: PSEN ma1.3-08
 - Actuator with square design: PSEN ma1.3-12 (various directions of actuation possible)
- ▶ Operation Magnetic
- ▶ Switching voltage 24 VDC
- ▶ LED to display switch status

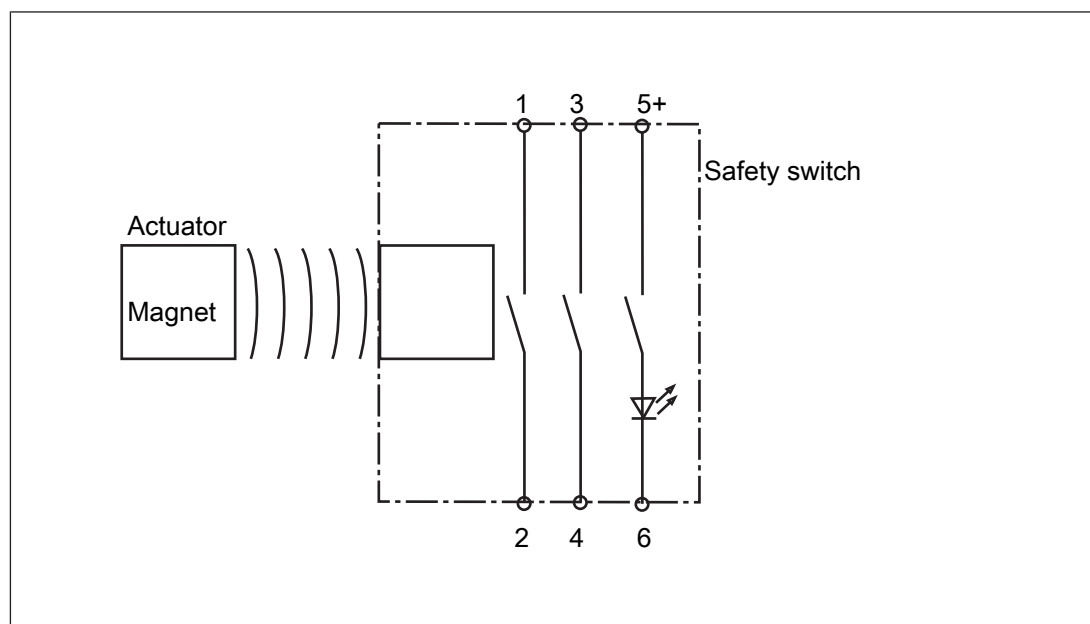
Function description

If the actuator is within the response range (safety gate closed), the safety contacts and the auxiliary contact on the safety switch will be closed and the LED will light.

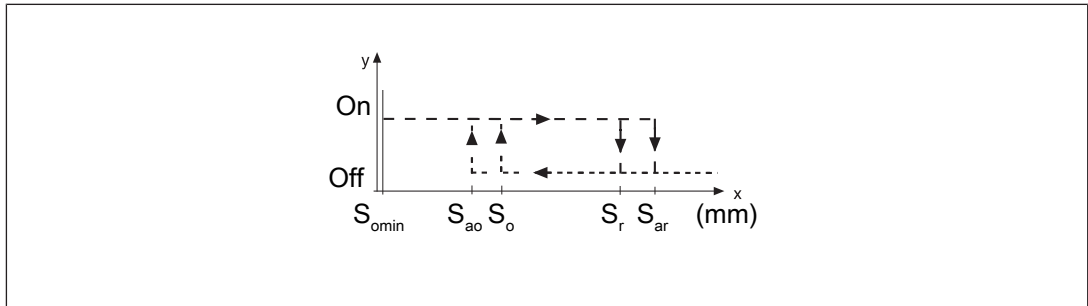
Operate the PSEN ma1.3a/b-20 in conjunction with the following components:

- ▶ Actuator PSEN ma1.3-08 or actuator PSEN ma1.3-12 (see [Order reference](#)  [24]) and
- ▶ a connected evaluation device (see [Requirements and connection to evaluation devices](#)  [11]).

Block diagram



Operating distances



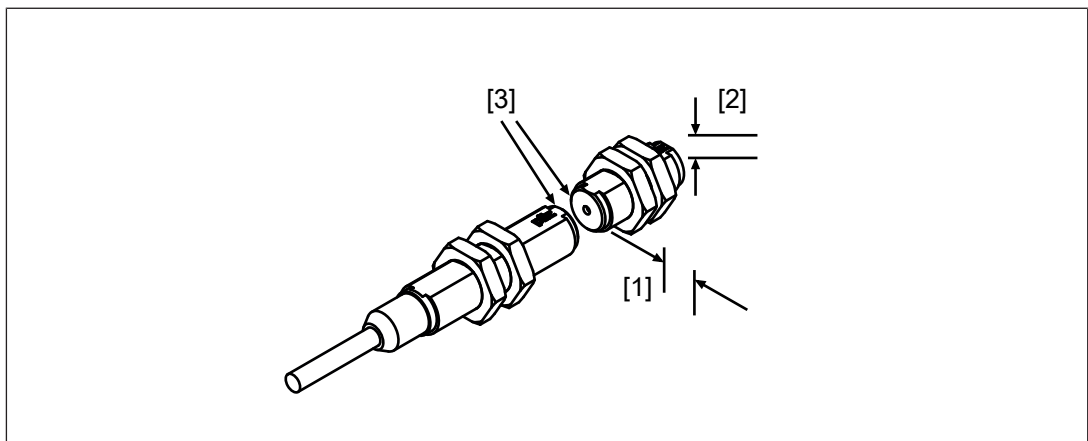
Legend

- S_{ao} Assured operating distance
- S_{omin} Min. operating distance
- S_{ar} Assured release distance

The offset-independent values for the switching distances are included in the [Technical details](#) [19].

Lateral and vertical offset

Actuator PSEN ma1.3-08



Legend

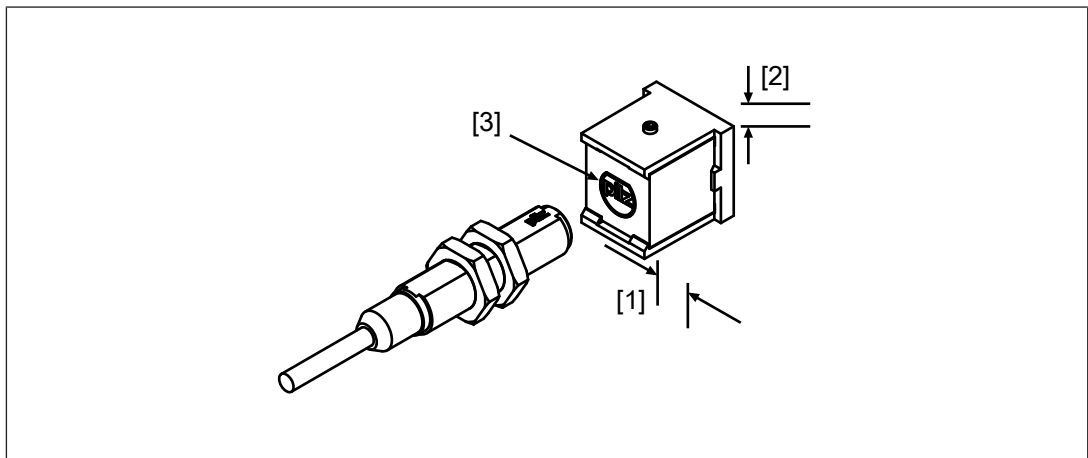
- [1] Lateral offset
- [2] Vertical offset
- [3] Sensing faces

Assured operating distance S_{ao} in mm

Lateral offset	Vertical offset		
	0	2	4
0	8.0	7.0	5.5
2	7.0	6.0	4.0
4	6.0	5.0	3.0

The stated values are valid at a temperature of 20 °C.

Actuator PSEN ma1.3-12



Legend

- [1] Lateral offset
- [2] Vertical offset
- [3] Sensing face

Assured operating distance S_{ao} in mm

Lateral offset	Vertical offset		
	0	1	2
0	12.0	10.0	8.0
2	12.0	10.0	8.0
4	11.0	9.5	7.5

The stated values are valid at a temperature of 20 °C.

Negative vertical offset, not permitted

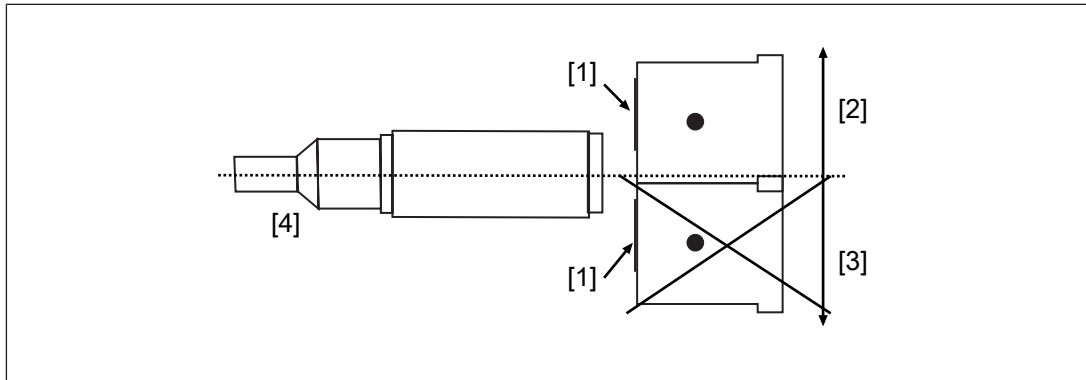


Fig.: Safety switch and square actuator - side view

Legend

- [1] Sensing face PSEN ma1.3-12
- [2] Positive vertical offset, permitted
- [3] Negative vertical offset, not permitted
- [4] Safety switch

Wiring

- ▶ Information given in the [Technical details \[19\]](#) must be followed.
- ▶ Calculation of the max. cable length l_{\max} :

$$l_{\max} = \frac{R_{l\max} - R_i}{R_l / \text{km}}$$

$R_{l\max}$ = Max. overall cable resistance (see evaluation device's technical details)

R_i = Internal resistance sensor (see [Technical details \[19\]](#))

R_l / km = Cable resistance/km of the cable (see technical details cable)

- ▶ Ensure the wiring and EMC requirements of EN 60204-1 are met.
- ▶ In the following cases, check the function that detects shorts across contacts prior to commissioning:
 - On evaluation devices with DC supply voltage: Overall cable resistance ≥ 15 Ohms per channel
 - On evaluation devices with AC supply voltage: Overall cable resistance ≥ 25 Ohms per channel
 - For details of how to perform the test for shorts across the contacts, please refer to the operating manual for the relevant evaluation device.

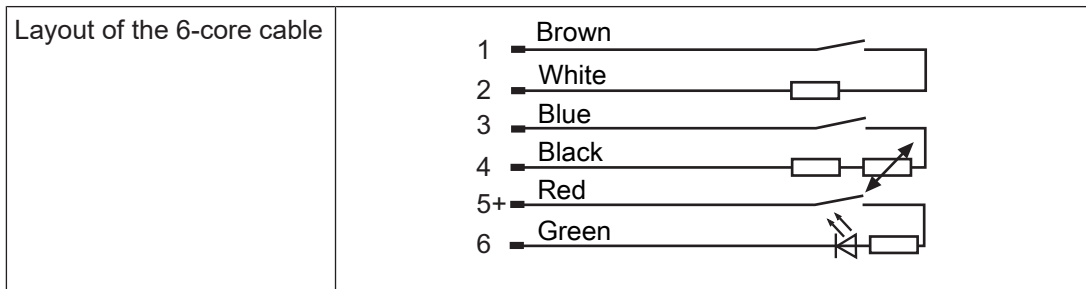
Pin assignment



NOTICE

The colour marking for the connection lead only applies for the cable that Pilz supplies as an accessory

The safety switch is shown in an unoperated condition.



NOTICE

The auxiliary contact with LED

- may only be operated with a supply voltage of up to 24 VDC
- **cannot** be connected in series
- may **not** be used for safety circuits

Requirements and connection to evaluation devices

For use of PSEN ma1.3a/b-20 in accordance with DIN EN 60947-5-3 an evaluation device must be connected.

Connect the PSEN ma1.3a/b-20

- ▶ **either** with a certified Pilz evaluation device
- ▶ **or** with an evaluation device with defined properties

Certified Pilz evaluation devices are, for example:

- ▶ PNOZelog for safety gate monitoring
 - PNOZ e1p, PNOZ e1.1p, PNOZ e1vp
 - PNOZ e5.11p
 - PNOZ e6vp, PNOZ e6.1p
- ▶ PNOZpower for safety gate monitoring
 - PNOZ p1p, PNOZ p1vp
- ▶ PNOZsigma for safety gate monitoring
 - PNOZ s3
 - PNOZ s4
 - PNOZ s5

- ▶ PNOZ X for safety gate monitoring
 - PNOZ X2, PNOZ X2.5P, PNOZ X2.7P, PNOZ X2.8P, PNOZ X2.9P, PNOZ X2C
 - PNOZ X3, PNOZ X3.1, PNOZ X3P, PNOZ X3.10P
 - PNOZ X4
 - PNOZ X5, PNOZ X5J
 - PNOZ Ex

- ▶ PNOZmulti for safety gate monitoring
Configure the switch in the PNOZmulti Configurator with switch type 3.

- ▶ PSS for safety gate monitoring with standard function block SB064, SB066 or FS_Safety Gate

- ▶ PSSuniversal PLC for safety gate monitoring with function block FS_SafetyGate

The correct connection to the respective evaluation device is described in the operating manual for the evaluation device. Make sure that the connection is made in accordance with the specifications in the operating manual for the selected evaluation device.

Defined properties of evaluation devices:

- ▶ 2-channel with feasibility monitoring
- ▶ Open circuit monitoring of the safety switch is performed
- ▶ Inputs and outputs on the evaluation device must fulfil the requirements of IEC 61131, Type 3
- ▶ Technical data of the evaluation device must fulfil the requirements in the [Technical details \[19\]](#) of PSEN ma1.3a/b-20
 - Always comply with the max. switching current safety contacts of PSEN ma1.3a/b-20.
- ▶ Outputs at the evaluation device must only be switched on again when both reed contacts at the safety switch have been opened and closed (partial operation lock)



INFORMATION

Risk time in accordance with DIN EN 60947-5-3

The risk time is made up of the reaction time of the sensor (see [Technical details \[19\]](#)) and the processing and delay times of the evaluation device (s. operating manual for the relevant evaluation device).

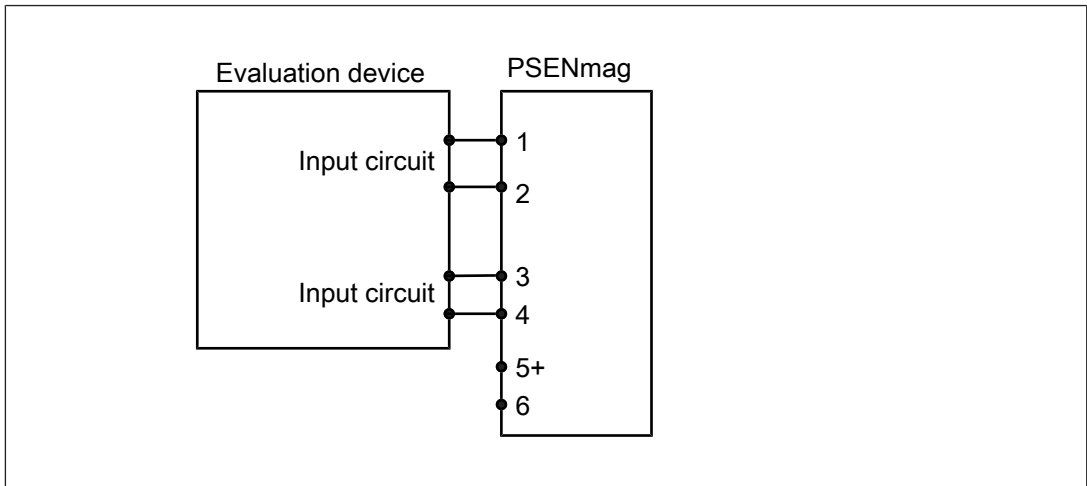
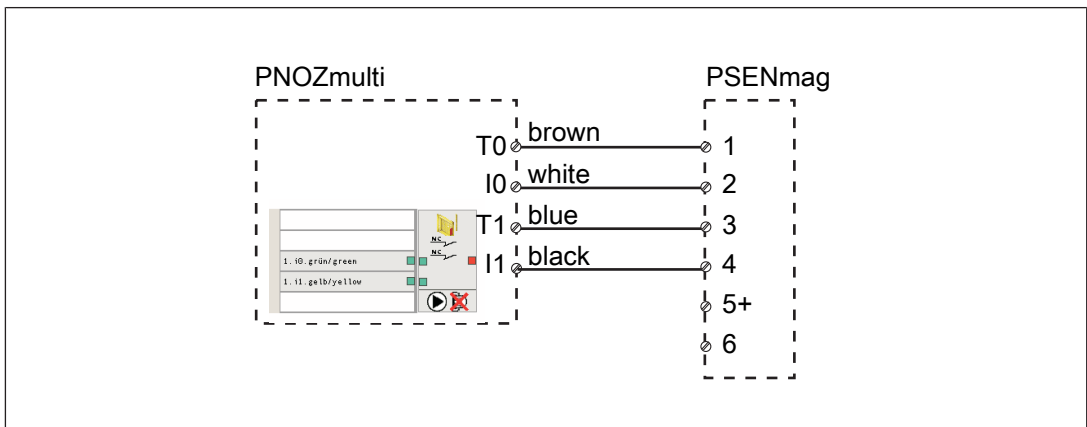
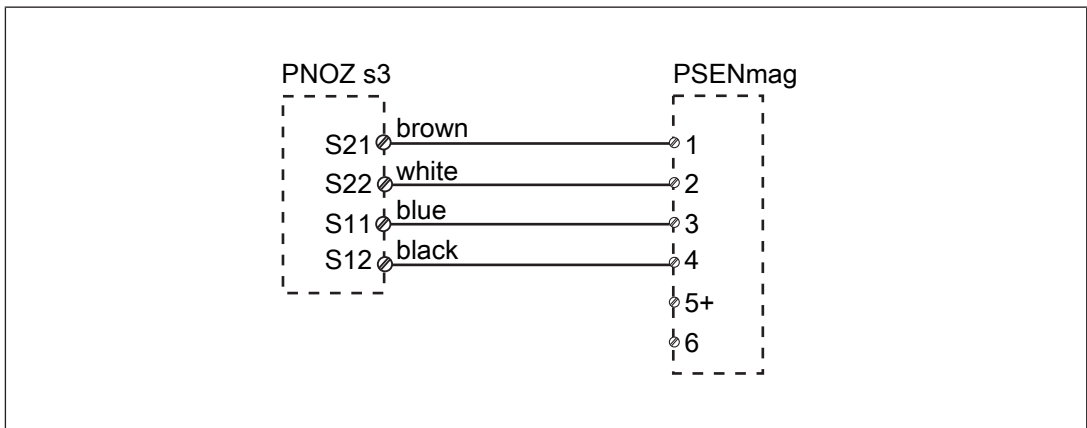


Fig.: Dual-channel connection PSEN ma1.3a/b-20 to the input circuits of an evaluation device

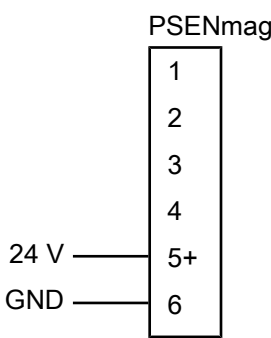
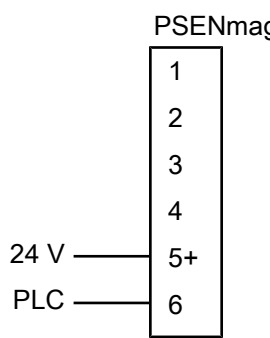
Examples for connection to Pilz evaluation devices:



Auxiliary contact with LED

The auxiliary contact and the LED indicate the status of the safety contacts.

Actuator in the response range	Safety contacts and auxiliary contact	LED
Yes	Closed	☼ lights
No	Open	• Off

	
Connecting the auxiliary contact to an evaluation device	Connecting the auxiliary contact to a PLC

Installation

- ▶ The unit can be installed in any position. Safety switches and actuators must be installed so that the bevelled surface on the safety switch and the bevelled surface of the actuator face each other precisely.



CAUTION!

Potential loss of safety function due to changed device properties

The unit's properties may be affected if installed in an environment containing electrically or magnetically conductive material.

- Please check the operating distances and the assured release distance.



CAUTION!

Possible loss of the safety function by changing the release distance S_{ar} with non-flush installation

Installing the safety switch non-flush within electrically or magnetically conductive material, the value for the assured release distance S_{ar} can change.

- Check the assured release distance S_{ar} .

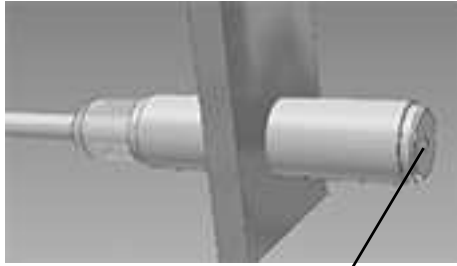
- ▶ Safety switches and actuators must be positioned so that they are secured against a change of position.
- ▶ Attach the safety switches and actuators only with the supplied nuts.
- ▶ Avoid the risk of damages from foreseeable external influences by attaching the safety switch and actuator. If necessary, safety switch and actuator have to be protected.

**INFORMATION**

Protect the actuator from unauthorised removal (e.g. via a screw lock or concealed installation) and from contamination.


- ▶ Prevent self-loosening of the fastening elements of safety switch and actuator.
- ▶ The fastening of safety switch and actuator has to be sufficiently stable to ensure the proper operation of the safety switch and the actuator.
- ▶ The distance between two safety switches must be maintained (see [Technical details \[19\]](#)).
- ▶ Safety switches and actuators
 - Should be kept away from iron swarf
 - Should not be exposed to strong magnetic fields
- ▶ Prevent the safety switch and actuator being exposed to heavy shock or vibration.
- ▶ Make sure that the safety switch and actuator cannot be used as an end stop.
- ▶ Circumvention of the safety switch in a reasonably foreseeable manner must be prevented.
- ▶ Please note the installation measures in accordance with EN ISO 14119 for a proximity switch type 4 with coding level Low.
- ▶ Alignment errors of the guard must not adversely affect the safety function of the guard.
- ▶ The assured operating distance S_{ao} and the assured release distance S_{ar} must be tested under real conditions.
- ▶ Do not apply any installation tools (e.g. Pliers) on the surfaces of the switch.
- ▶ If possible, do not install the safety switch and actuator on to ferromagnetic material. Changes to the operating distances are to be expected.
- ▶ Protect the safety switch and actuator from UV light or direct sunlight.

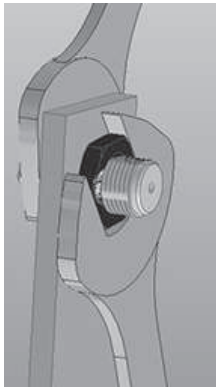
Installation of safety switch

 <p style="text-align: center;">Sensing face</p>	<p>Slide the switch through the hole in the mounting surface with the sensing face towards the actuator.</p>
---	--


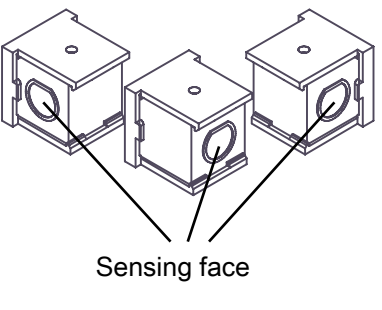


	<p>Attach the switch using 2 M12 hexagonal nuts with special threads.</p> <p>Note the max. torque setting (see Technical details [📖 19]).</p>
---	---

Installation with actuator PSEN ma1.3-08




 <p style="text-align: center;">Sensing face</p>	<p>Slide the actuator through the hole in the mounting surface with the sensing face towards the safety switch.</p>
---	---

	<p>Attach the actuator using 2 M12 hexagonal nuts with special threads.</p> <p>Note the max. torque setting (see Technical details [📖 19]).</p>
---	---

Installation with actuator PSEN ma1.3-12

	<p>Attach the bracket using countersunk screws (M4).</p>
 <p style="text-align: center;">Sensing face</p>	<p>The sensing face at the actuator is marked by a circle with a bevelled surface in the shape of the safety switch. The sensing face can be aligned in 3 directions depending on the direction of actuation. Slide the actuator on to the bracket in the required direction of actuation until the actuator clicks into place.</p>
	<p>The actuator should be secured using a set screw M3 x 6 mm DIN 319 (supplied with the device).</p> <p>Also note the low max. torque setting (see Technical details  19).</p>

Adjustment

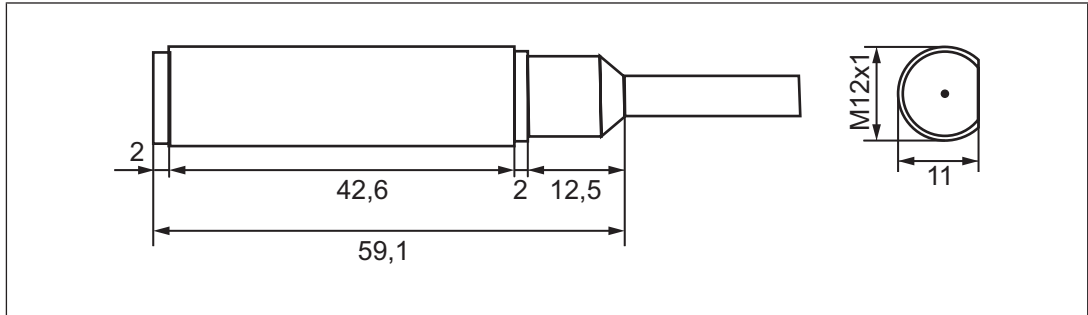
- ▶ The safety switch may only be used with the corresponding actuator PSEN ma1.3-08 or PSEN ma1.3-12.
- ▶ Always test the function with a connected evaluation device.
- ▶ The stated operating distances (see [Technical details](#)  19) only apply when the safety switch and actuator are installed according to the specifications in [Installation](#)  14. Operating distances may deviate if other arrangements are used. Note the maximum permitted lateral and vertical offset (see [Operating distances and Lateral and vertical offset](#)  8).

Periodic test

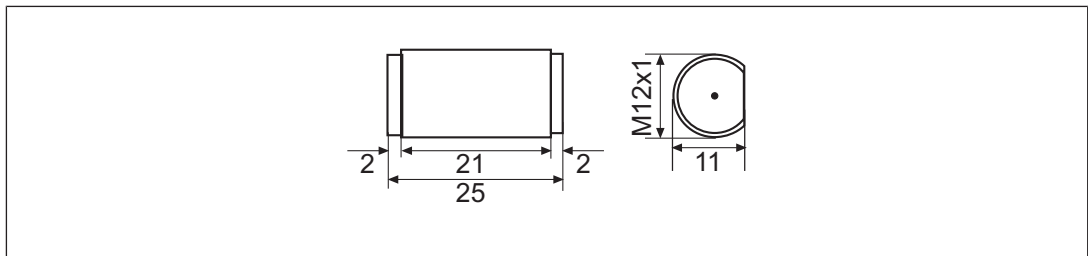
- ▶ Carry out a monthly function test on the safety switch and actuator.
- ▶ Always test the function with a connected evaluation device.
- ▶ The safety function may only be checked by qualified personnel.

Dimensions in mm

Safety switch



Actuator PSEN ma1.3-08



Actuator PSEN ma1.3-12

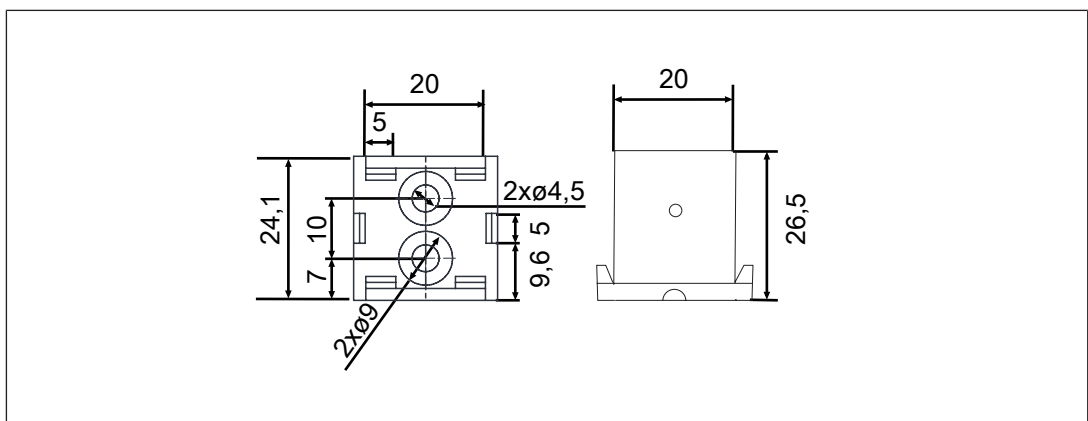
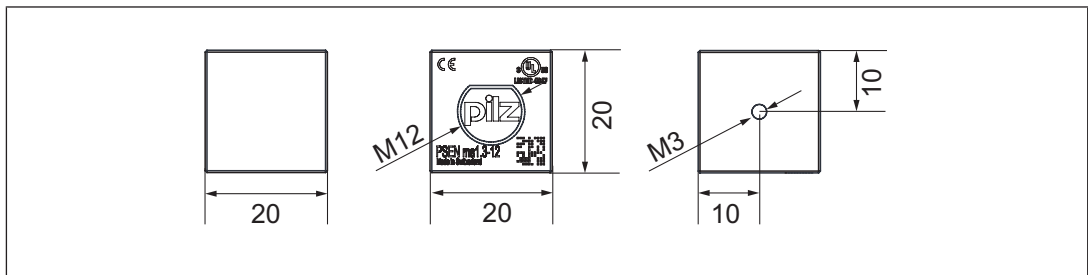


Fig.: Actuator holder

Technical details order no. 506220, 506230

General	506220	506230
Certifications	CE, EAC, ECOLAB, TÜV, UKCA, cULus Listed	CE, EAC, ECOLAB, TÜV, UKCA, UL/cUL, cULus Listed
Sensor's mode of operation	Magnetic	Magnetic
Coding level in accordance with EN ISO 14119	Low	Low
Design in accordance with EN ISO 14119	4	4
Classification in accordance with EN 60947-5-3	PDDB	PDDB
Electrical data	506220	506230
Supply voltage		
Voltage	24 V	24 V
Kind	DC	DC
Voltage tolerance	-20 %/+20 %	-20 %/+20 %
Supply voltage		
Max. current	150 mA	150 mA
Max. switching frequency	1 Hz	1 Hz
Lowest operating current (I _m)	1 mA	1 mA
Switching voltage	24 V	24 V
Internal resistance	10 Ohm	10 Ohm
Max. switching current, safety contacts	0,2 A	0,2 A
Max. breaking capacity, safety contacts	5 W	5 W
Max. switching current, auxiliary contacts	10 mA	10 mA
Times	506220	506230
Reaction time (actuator removed)	2 ms	2 ms
Environmental data	506220	506230
Ambient temperature		
Temperature range	-25 - 70 °C	-25 - 70 °C
Climatic suitability		
In accordance with the standard	IEC 60068-2-30	IEC 60068-2-30
Humidity	93 % r. h. at 40 °C	93 % r. h. at 40 °C
Max. operating height above sea level	2000 m	2000 m
EMC	EN 60947-5-3	EN 60947-5-3
Vibration		
In accordance with the standard	EN 60947-5-2	EN 60947-5-2
Frequency	10 - 55 Hz	10 - 55 Hz
Amplitude	1 mm	1 mm
Shock stress		
Acceleration	30g	30g
Duration	11 ms	11 ms

Environmental data	506220	506230
Airgap creepage		
Pollution degree	3	3
Rated insulation voltage	250 V	250 V
Rated impulse withstand voltage	4 kV	4 kV
Protection type		
Housing	IP65	IP65
Operating distances	506220	506230
Assured operating distance Sao	8 mm	12 mm
Min. operating distance Somin	0,5 mm	0,5 mm
Typical operating distance So	10 mm	14 mm
Assured release distance Sar	15 mm	25 mm
Typical release distance Sr	12 mm	16 mm
Repetition accuracy switching distances	5 %	5 %
Mechanical data	506220	506230
Actuator 1	PSEN ma1.3-08	PSEN ma1.3-12
Typ. Hysteresis	2 mm	2,5 mm
Min. distance between safety switches	25 mm	35 mm
Sensor flush installation in accordance with EN 60947-5-2	yes, follow installation guidelines	yes, follow installation guidelines
Connection type	5 m cable	5 m cable
Cable	LiY11Y 6 x 0,25 mm²	LiY11Y 6 x 0,25 mm²
Material		
Top	PBT	PBT
Max. torque setting		
Safety switch	3 Nm	3 Nm
Actuator 1	3 Nm	0,1 Nm
Dimensions		
Height	11 mm	11 mm
Width	12 mm	12 mm
Depth	59,1 mm	59,1 mm
Actuator dimensions		
Height	11 mm	20 mm
Width	12 mm	20 mm
Depth	25 mm	20 mm
Weight of safety switch	185 g	185 g
Weight of actuator	11 g	26 g
Weight	196 g	211 g

Where standards are undated, the 2015-09 latest editions shall apply.

Technical details order no. 506222, 506232

General	506222	506232
Certifications	CE, EAC, ECOLAB, TÜV, UKCA, cULus Listed	CE, EAC, ECOLAB, TÜV, UKCA, UL/cUL, cULus Listed
Sensor's mode of operation	Magnetic	Magnetic
Coding level in accordance with EN ISO 14119	Low	Low
Design in accordance with EN ISO 14119	4	4
Classification in accordance with EN 60947-5-3	PDDB	PDDB
Electrical data	506222	506232
Supply voltage		
Voltage	24 V	24 V
Kind	DC	DC
Voltage tolerance	-20 %/+20 %	-20 %/+20 %
Supply voltage		
Max. current	150 mA	150 mA
Max. switching frequency	1 Hz	1 Hz
Lowest operating current (I _m)	1 mA	1 mA
Switching voltage	24 V	24 V
Internal resistance	10 Ohm	10 Ohm
Max. switching current, safety contacts	0,2 A	0,2 A
Max. breaking capacity, safety contacts	5 W	5 W
Max. switching current, auxiliary contacts	10 mA	10 mA
Times	506222	506232
Reaction time (actuator removed)	2 ms	2 ms
Environmental data	506222	506232
Ambient temperature		
Temperature range	-25 - 70 °C	-25 - 70 °C
Climatic suitability		
In accordance with the standard	IEC 60068-2-30	IEC 60068-2-30
Humidity	93 % r. h. at 40 °C	93 % r. h. at 40 °C
Max. operating height above sea level	2000 m	2000 m
EMC	EN 60947-5-3	EN 60947-5-3
Vibration		
In accordance with the standard	EN 60947-5-2	EN 60947-5-2
Frequency	10 - 55 Hz	10 - 55 Hz
Amplitude	1 mm	1 mm
Shock stress		
Acceleration	30g	30g
Duration	11 ms	11 ms

Environmental data	506222	506232
Airgap creepage		
Pollution degree	3	3
Rated insulation voltage	250 V	250 V
Rated impulse withstand voltage	4 kV	4 kV
Protection type		
Housing	IP65	IP65
Operating distances	506222	506232
Assured operating distance Sao	8 mm	12 mm
Min. operating distance Somin	0,5 mm	0,5 mm
Typical operating distance So	10 mm	14 mm
Assured release distance Sar	15 mm	25 mm
Typical release distance Sr	12 mm	16 mm
Repetition accuracy switching distances	5 %	5 %
Mechanical data	506222	506232
Actuator 1	PSEN ma1.3-08	PSEN ma1.3-12
Typ. Hysteresis	2 mm	2,5 mm
Min. distance between safety switches	25 mm	35 mm
Sensor flush installation in accordance with EN 60947-5-2	yes, follow installation guidelines	yes, follow installation guidelines
Connection type	10 m cable	10 m cable
Cable	LiY11Y 6 x 0,25 mm²	LiY11Y 6 x 0,25 mm²
Material		
Top	PBT	PBT
Max. torque setting		
Safety switch	3 Nm	3 Nm
Actuator 1	3 Nm	0,1 Nm
Dimensions		
Height	11 mm	11 mm
Width	12 mm	12 mm
Depth	59,1 mm	59,1 mm
Actuator dimensions		
Height	11 mm	20 mm
Width	12 mm	20 mm
Depth	25 mm	20 mm
Weight of safety switch	360 g	360 g
Weight of actuator	11 g	26 g
Weight	371 g	386 g

Where standards are undated, the 2015-09 latest editions shall apply.

Safety characteristic data

Operating mode	B10d in accordance with EN ISO 13849-1: 2015 and EN 62061	TM [year] in accordance with EN ISO 13849-1:2015
Sensor, 2-ch, ≤ 5 mA	50.000.000	20
Sensor, 2-ch, $5\text{mA} < I \leq 60$ mA	8.500.000	20
Sensor, 2-ch, > 60 mA	4.000.000	20



NOTICE

You must comply with the safety characteristic data in order to achieve the required safety level for your plant/machine.

Order reference

System

Product type	Features	Connection type	Order no.
PSEN ma1.3a-20/ PSEN ma1.3-08/8mm/ 1unit	Magnetic safety switch, actuator with assured operating distance 8 mm	Cable, 5 m	506220
PSEN ma1.3a-20/ PSEN ma1.3-12/12mm/ 1unit	Magnetic safety switch, actuator with assured operating distance 12 mm	Cable, 5 m	506230
PSEN ma1.3b-20/ PSEN ma1.3-08/8mm/ 1unit	Magnetic safety switch, actuator with assured operating distance 8 mm	Cable, 10 m	506222
PSEN ma1.3b-20/ PSEN ma1.3-12/12mm/ 1unit	Magnetic safety switch, actuator with assured operating distance 12 mm	Cable, 10 m	506232
PSEN ma1.3a-20/1switch	Magnetic safety switch	Cable, 5 m	526120
PSEN ma1.3b-20/1switch	Magnetic safety switch	Cable, 10 m	526122
PSEN ma1.3-08/1actuator	Actuator with assured operating distance 8 mm		516120
PSEN ma1.3-12/1actuator	Actuator with assured operating distance 12 mm		516130

Accessories

Product type	Features	Connector X1	Connector X2	Connector X3	Order no.
PSEN/PDP67 M12-8sm screw terminals	Connector with screw terminals	M12, 8-pin male connector, straight			540334

EC declaration of conformity

This product/these products meet the requirements of the directive 2006/42/EC for machinery of the European Parliament and of the Council. The complete EC Declaration of Conformity is available on the Internet at www.pilz.com/downloads.

Authorised representative: Norbert Fröhlich, Pilz GmbH & Co. KG, Felix-Wankel-Str. 2, 73760 Ostfildern, Germany

UKCA-Declaration of Conformity

This product(s) complies with following UK legislation: Supply of Machinery (Safety) Regulation 2008.

The complete UKCA Declaration of Conformity is available on the Internet at www.pilz.com/downloads.

Representative: Pilz Automation Technology, Pilz House, Little Colliers Field, Corby, Northamptonshire, NN18 8TJ United Kingdom, eMail: mail@pilz.co.uk

► Support

Technical support is available from Pilz round the clock.

Americas

Brazil

+55 11 97569-2804

Canada

+1 888 315 7459

Mexico

+52 55 5572 1300

USA (toll-free)

+1 877-PILZUSA (745-9872)

Asia

China

+86 21 60880878-216

Japan

+81 45 471-2281

South Korea

+82 31 778 3300

Australia and Oceania

Australia

+61 3 95600621

New Zealand

+64 9 6345350

Europe

Austria

+43 1 7986263-0

Belgium, Luxembourg

+32 9 3217570

France

+33 3 88104003

Germany

+49 711 3409-444

Ireland

+353 21 4804983

Italy, Malta

+39 0362 1826711

Scandinavia

+45 74436332

Spain

+34 938497433

Switzerland

+41 62 88979-32

The Netherlands

+31 347 320477

Turkey

+90 216 5775552

United Kingdom

+44 1536 462203

You can reach our international hotline on:

+49 711 3409-222

support@pilz.com

Pilz develops environmentally-friendly products using ecological materials and energy-saving technologies. Offices and production facilities are ecologically designed, environmentally-aware and energy-saving. So Pilz offers sustainability, plus the security of using energy-efficient products and environmentally-friendly solutions.



We are represented internationally. Please refer to our homepage www.pilz.com for further details or contact our headquarters.

Headquarters: Pilz GmbH & Co. KG, Felix-Wankel-Straße 2, 73760 Ostfildern, Germany
Telephone: +49 711 3409-0, Telefax: +49 711 3409-133, E-Mail: info@pilz.com, Internet: www.pilz.com

PILZ
THE SPIRIT OF SAFETY

21705-EN-13, 2022-11 Printed in Germany
© Pilz GmbH & Co. KG, 2019

CECE®, CHRE®, CMSE®, InduraNET p®, Leansafe®, Master of Safety®, Master of Security®, PAS4000®, PAScall®, PASconfig®, Pilz®, PTT®, PLID®, PMCPirimo®, PMCPiritego®, PMCTendo®, PMD®, PMJ®, PNOZ®, PRBM®, PRGM®, PRCM®, PRCM®, PRTM®, PSEN®, PSEN®, PSS®, PVS®, SafetyBUS p®, SafetyEYE®, SafetyNET p®, THE SPIRIT OF SAFETY® are registered and protected trademarks of Pilz GmbH & Co. KG in some countries. We would point out that product features may vary from the details stated in this document, depending on the status at the time of publication and the scope of the equipment. We accept no responsibility for the validity, accuracy and entirety of the text and graphics presented in this information. Please contact our Technical Support if you have any questions.