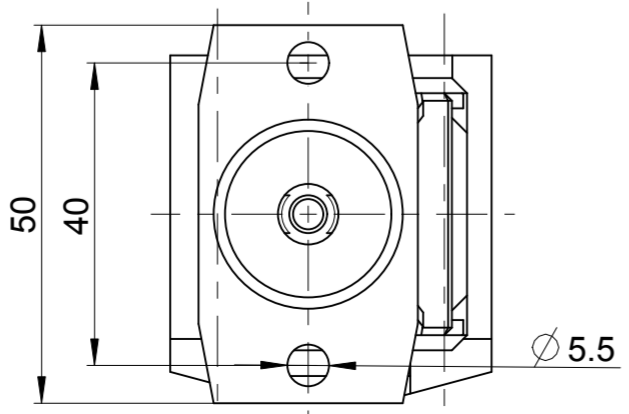
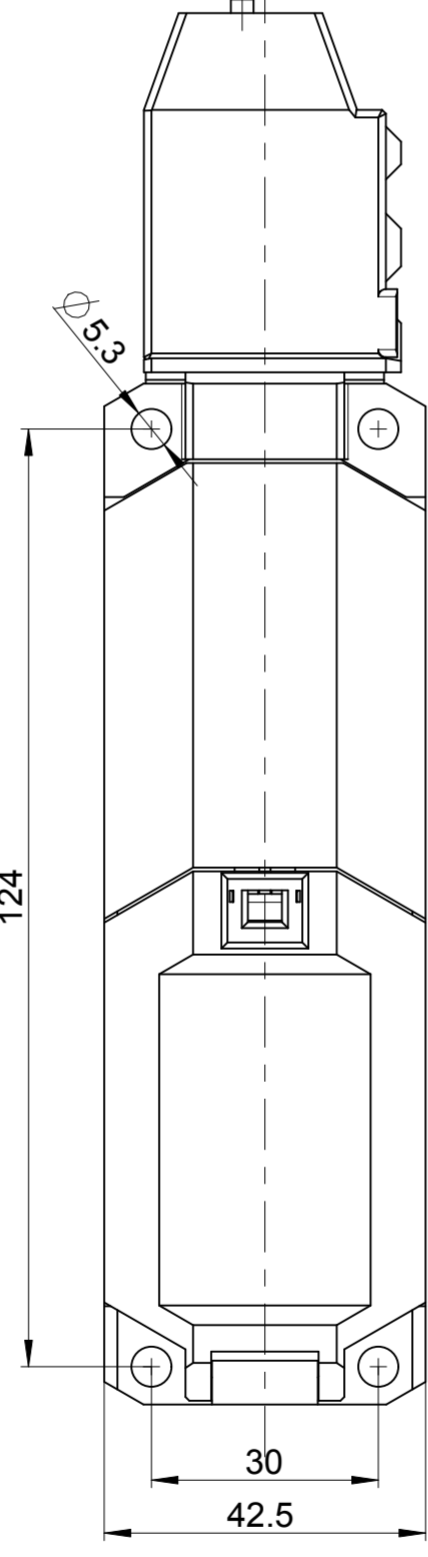
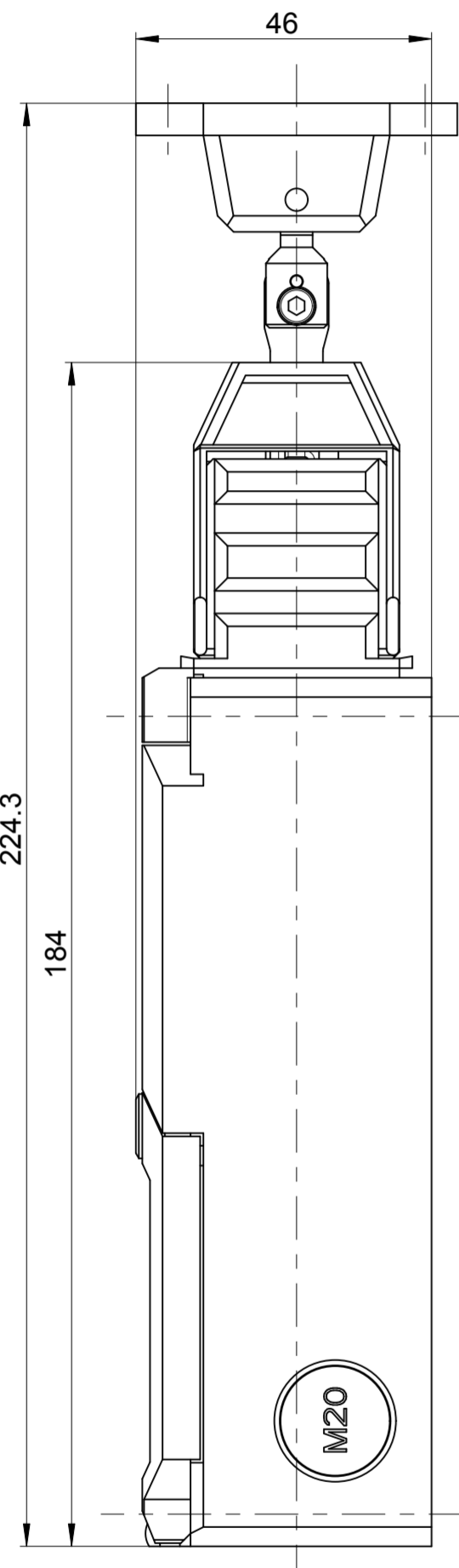
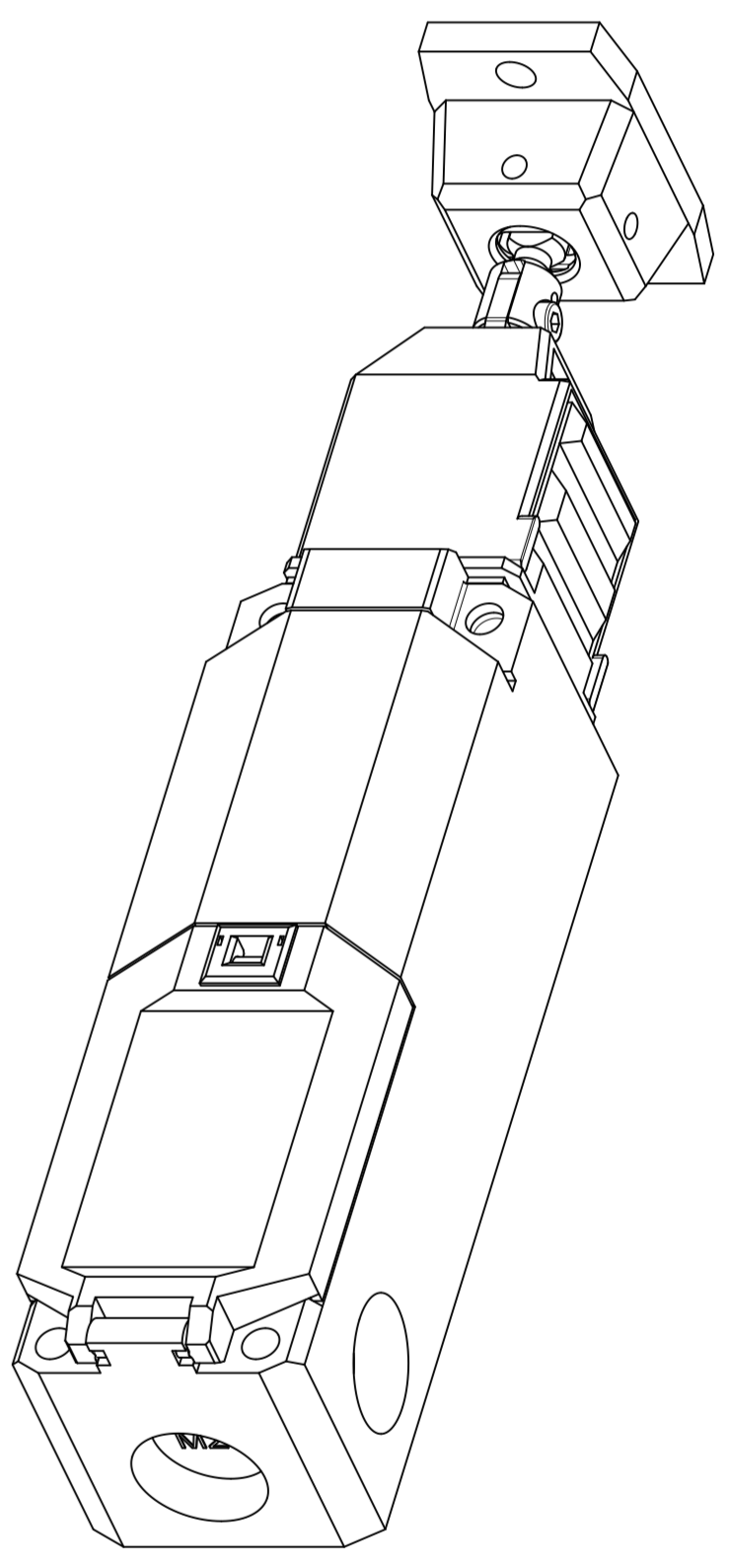
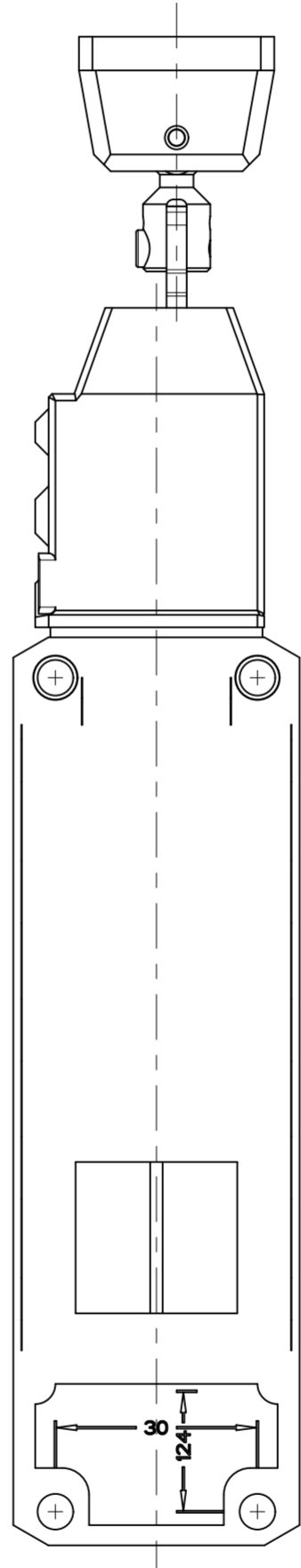
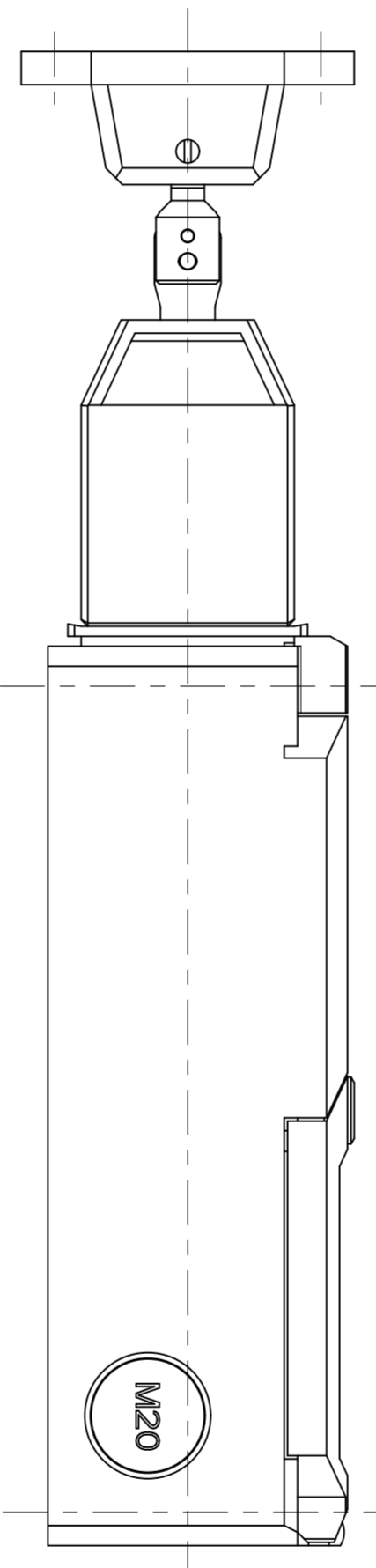
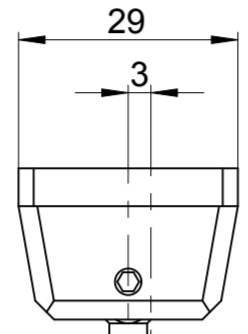
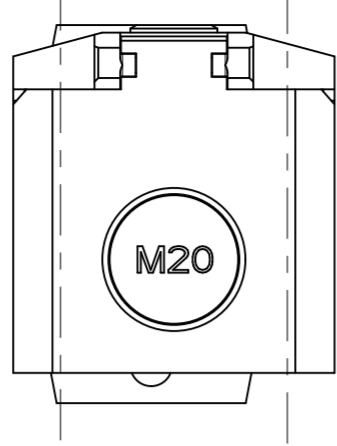


1 2 3 4 5 6 7 8

A B C D E F



Index	20140061	04.03.2014	PD-SUP-MCPD-SUP-MD	Neue Zeichnung New Drawing	
Scale	1:1		Editor	Checked	
Material			Date	Name	MODEL: 2015404 DRW: 2015405
Surface			Created	21.03.2014	PD-SUP-MD
			Checked	21.03.2014	PD-SUP-MD
			Norm	-	-
			All dimensions are in mm		
			Unspecified tolerance		
			Doc.-No.	2015405	Page 1
			Mat.-No.		of 1



Observe protection note to DIN 34