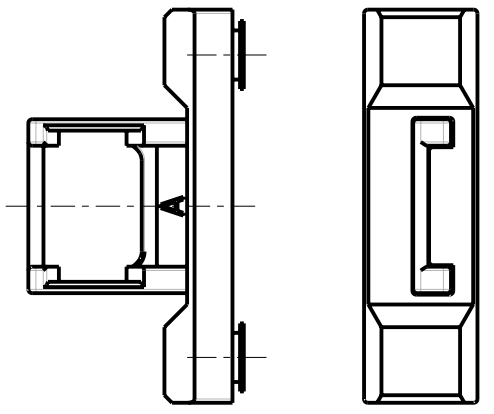
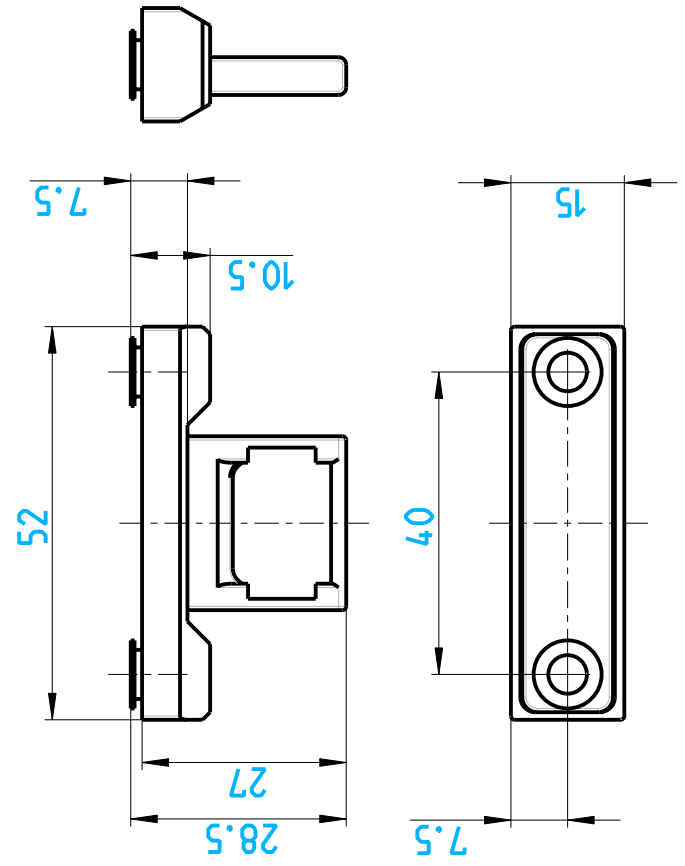


1 2 3 4

A B C D



Teil zeigt Montagezustand /
mounting condition visible

A - 20130105		31.07.2013		EP-MK		Mouting conditions visible		DRW: 2012893	
Index	ECO no.	Date	EP-MK	Checked	not packing condition visible				
Scale			Editor	Date	Name	MODEL: 2013551			
1:1			Created	30.04.2013	EP-MK	Internet Dokument			
Material			Checked	30.04.2013	EP-MK	Internet document			
-			Norm	-	-	PSEN me2AS			
Surface			All dimensions are in mm			Doc.-No. 2012893			
-			Unspecified tolerance			Mat.-No. -			
						Page 1		of 1	
						pitz			

Observe protection note to DIN 34