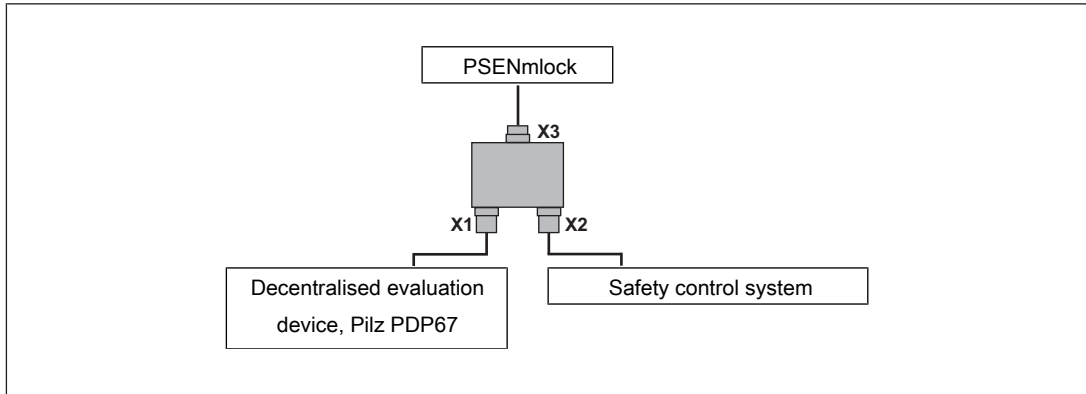


## PSEN ml / PDP67 Y junction M12

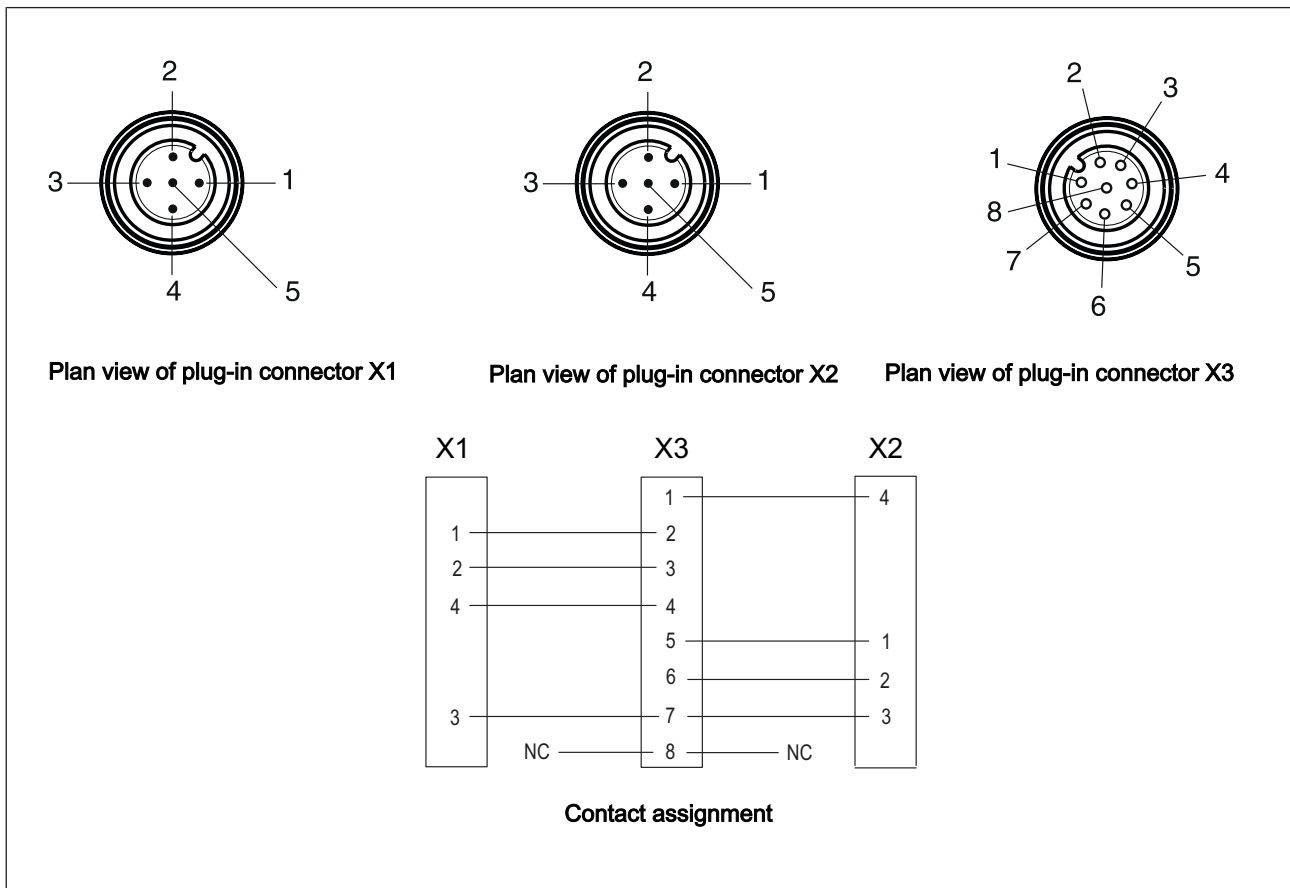
### Connection



### Legend

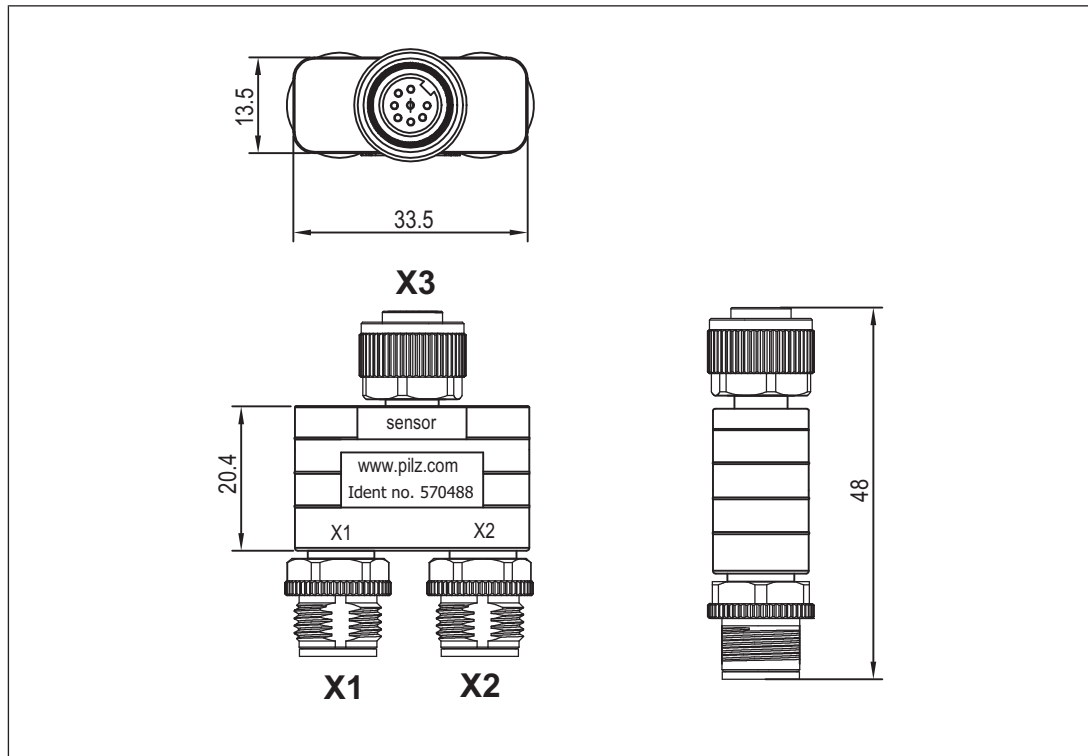
- X1 M12 male connector
- X2 M12 male connector
- X3 M12 female connector

### Connector pin assignment



## PSEN ml / PDP67 Y junction M12

### Dimensions



### Technical details

General	
Approvals	-
Electrical data	
Rated voltage	
Voltage UB	<b>30 V</b>
Rated current	<b>2 A</b>
Test voltage	<b>500 V</b>
Insulation resistance	<b>100 MOhm</b>
Volume resistance	<b>5 mOhm</b>
Environmental data	
Ambient temperature	
Temperature range	<b>-20 - 80 °C</b>
Airgap creepage	
Pollution degree	<b>3</b>

## PSEN ml / PDP67 Y junction M12

<b>Environmental data</b>	
Protection type	
X1 when inserted	<b>IP67</b>
X2 when inserted	<b>IP67</b>
X3 when inserted	<b>IP67</b>
Housing	<b>IP67</b>
<b>Mechanical data</b>	
Plug-in connector X1	<b>M12, 5-pin male connector</b>
In accordance with the standard	<b>EN 61076-2-101</b>
Plug-in connector X2	<b>M12, 5-pin male connector</b>
In accordance with the standard	<b>EN 61076-2-101</b>
Plug-in connector X3	<b>M12, 8-pin female connector</b>
In accordance with the standard	<b>EN 61076-2-101</b>
Material of ring nut X1	<b>Zn nickel-plated</b>
Material of ring nut X2	<b>Zn nickel-plated</b>
Material of ring nut X3	<b>Zn nickel-plated</b>
Housing material X1	<b>TPU</b>
Housing material X2	<b>TPU</b>
Housing material X3	<b>TPU</b>
Material of contact surface X1	<b>Au</b>
Material of contact surface X2	<b>Au</b>
Material of contact surface X3	<b>Au</b>
Material of pin	<b>CuZn gold-plated</b>
Material of socket	<b>CuZn gold-plated</b>
Mating cycles X1	<b>100</b>
Mating cycles X2	<b>100</b>
Mating cycles X3	<b>100</b>
Colour of housing	<b>black</b>
Material	
Housing	<b>TPU</b>
Weight	<b>34 g</b>

### Order reference

Product type	Features	Connector X1	Connector X2	Connector X3	Order no.
PSEN ml / PDP67 Y junction M12		M12, 5-pin male connector	M12, 5-pin male connector	M12, 8-pin female connector	570 488