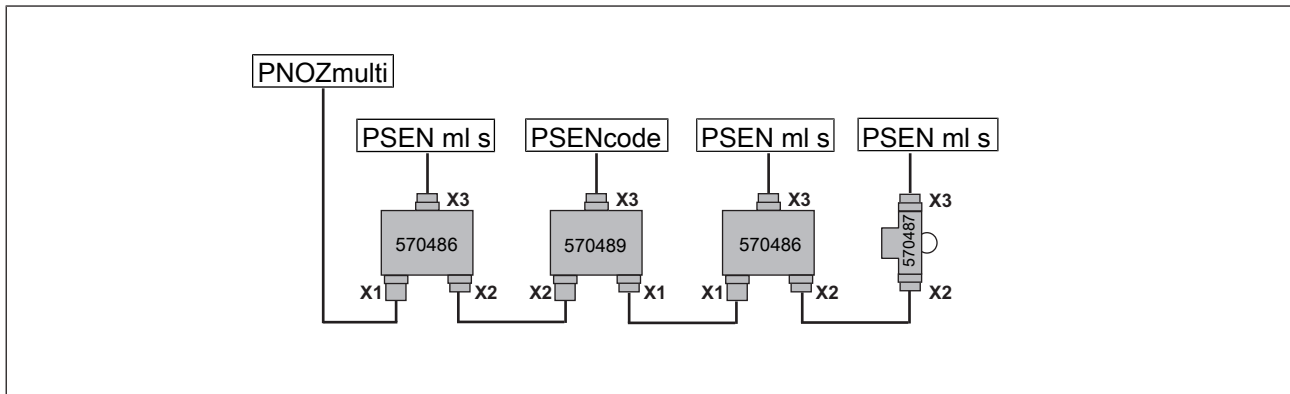


# Accessories

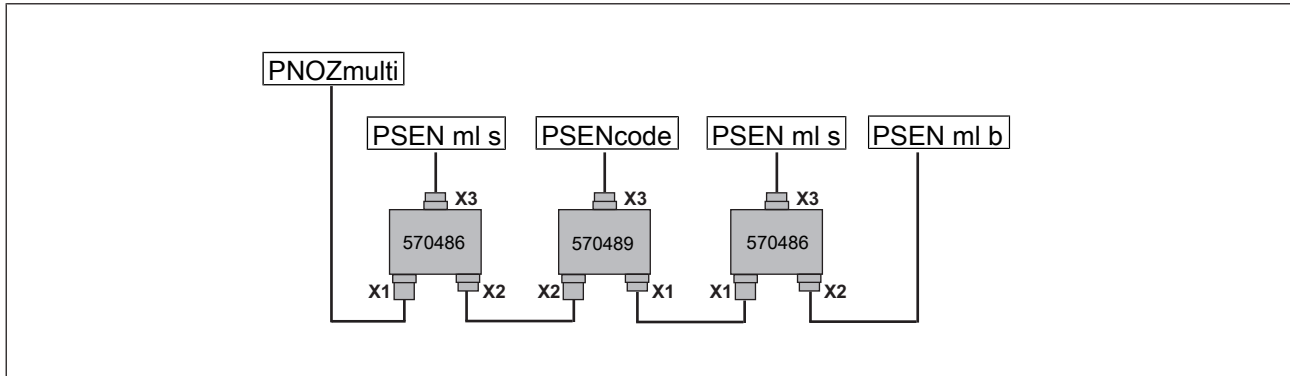
## PSEN ml/cs Y junction M12/PSEN ml end adapter

### Connection



### Legend

	Order no. 570486	Order no. 570489	Order no. 570487
X1	M12 male connector	M12 female connector	M12 female connector
X2	M12 female connector	M12 male connector	M12 male connector
X3	M12 female connector	M12 female connector	-



### Legend

	Order no. 570486	Order no. 570489
X1	M12 male connector	M12 female connector
X2	M12 female connector	M12 male connector
X3	M12 female connector	M12 female connector

## PSEN ml/cs Y junction M12/PSEN ml end adapter

---



### INFORMATION

If you want to use Safety Device Diagnostics, one of the listed adapters must be used instead of PSEN ml / PSENcs Y junction M12 (order no. 570489):

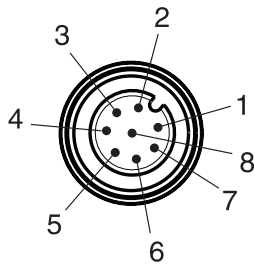
- PSEN Y junction M12 SENSOR (order no. 540315)
- PSEN Y junction M12 cable channel (order no. 540316)
- PSEN Y junction M12 SENSOR (order no. 540337)
- PSEN Y junction M12-M12/M12 PIGTAIL (order no. 540338)

Which adapter to use will depend on the relevant PSENcode.

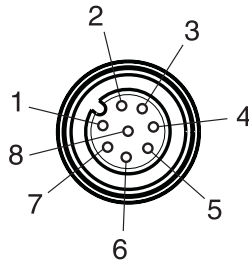
## PSEN ml/cs Y junction M12/PSEN ml end adapter

### Connector pin assignment

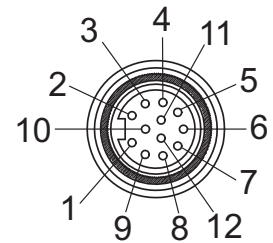
- ▶ PSEN ml Y junction M12, order no. 570 486  
Adapter for series connection of PSEN ml



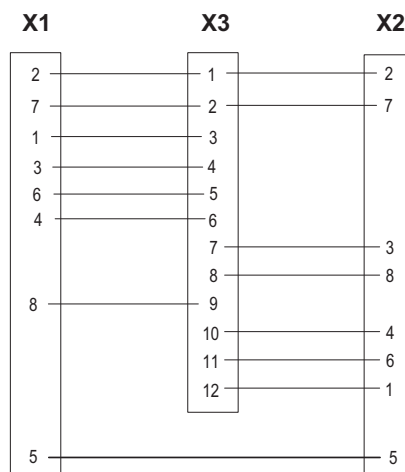
Plan view of plug-in connector X1



Plan view of plug-in connector X2



Plan view of plug-in connector X3

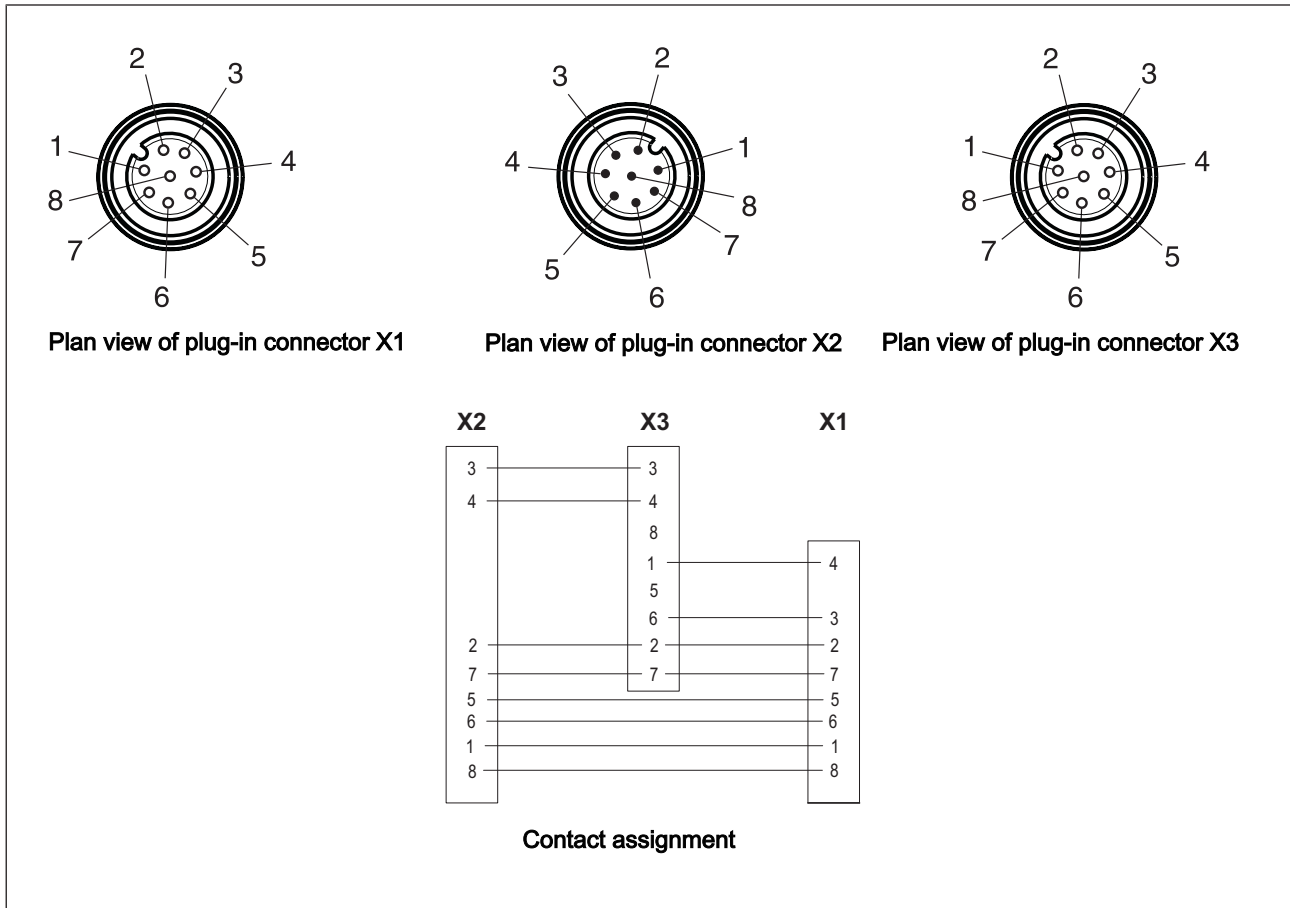


Contact assignment

# Accessories

## PSEN ml/cs Y junction M12/PSEN ml end adapter

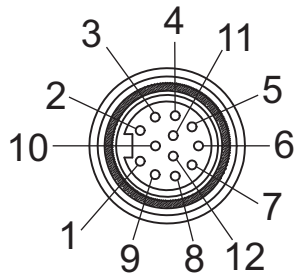
- ▶ PSEN ml / PSENcs Y junction M12, order no. 570489  
Adapter for incorporating a PSEN cs into the series connection



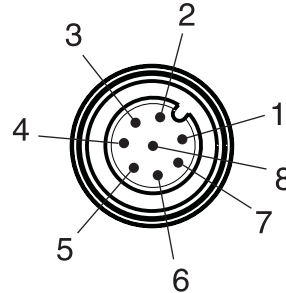
- ▶ PSEN ml end adapter, order no. 570487  
End adapter

# Accessories

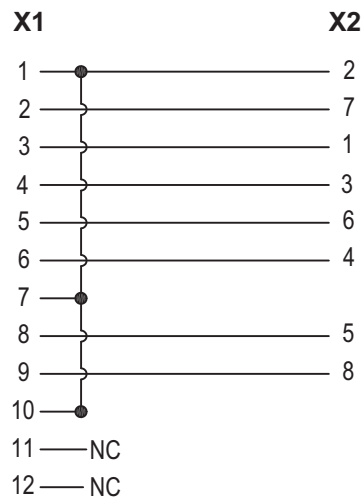
## PSEN ml/cs Y junction M12/PSEN ml end adapter



Plan view of plug-in connector X1



Plan view of plug-in connector X2

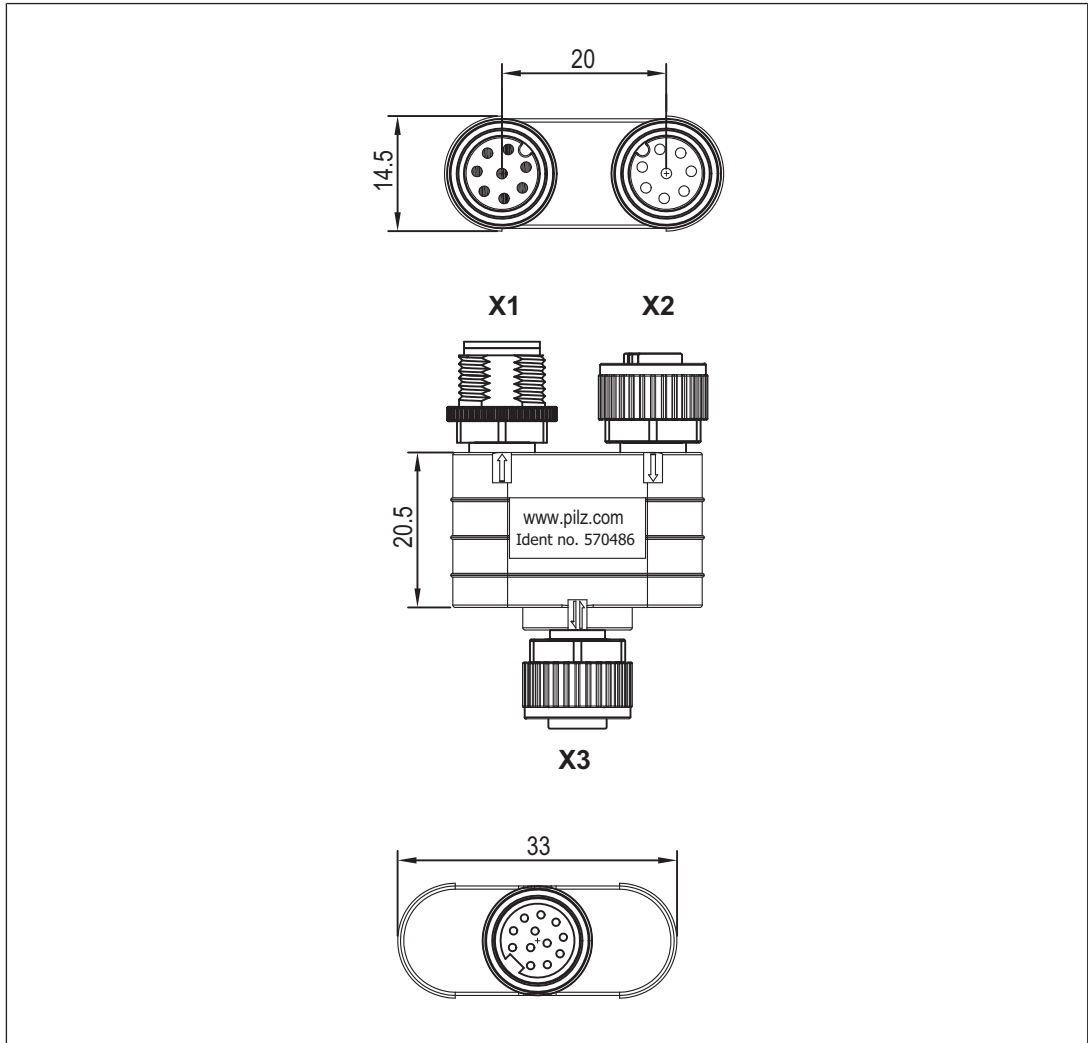


Contact assignment

## PSEN ml/cs Y junction M12/PSEN ml end adapter

### Dimensions

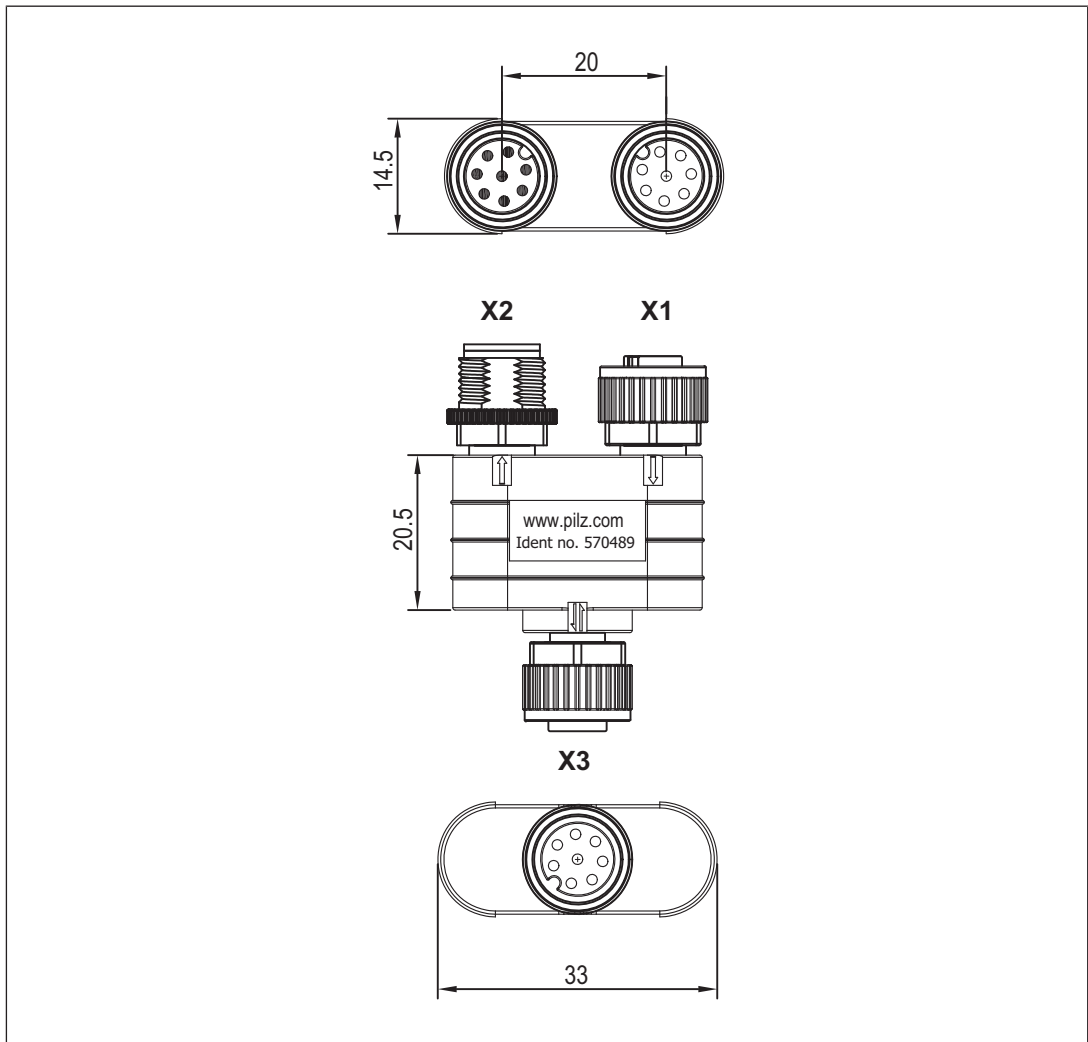
- ▶ PSEN ml Y junction M12, order no. 570486



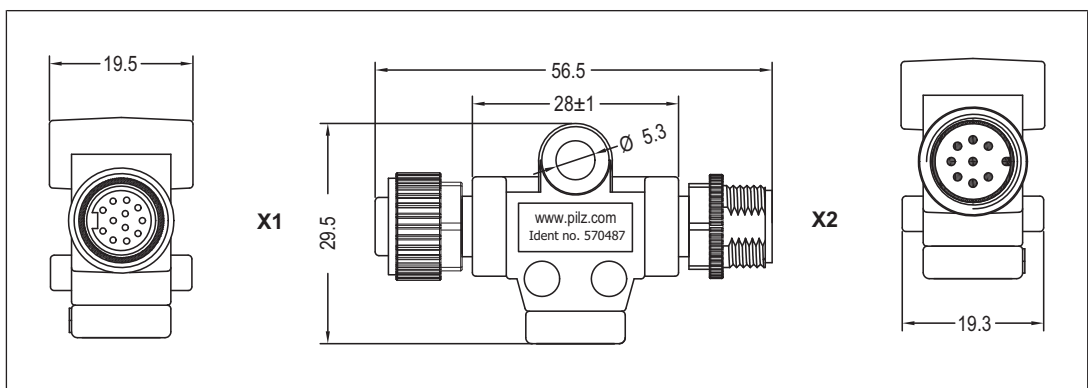
# Accessories

## PSEN ml/cs Y junction M12/PSEN ml end adapter

► PSEN ml / PSENcs Y junction M12, order no. 570489



► PSEN ml end adapter, order no. 570487



# Accessories

## PSEN ml/cs Y junction M12/PSEN ml end adapter

### Technical details

<b>Electrical data</b>	<b>570486</b>	<b>570489</b>	<b>570487</b>
Rated voltage			
Voltage UB	<b>30 V</b>	<b>30 V</b>	<b>30 V</b>
Rated current	<b>2 A</b>	<b>2 A</b>	<b>2 A</b>
Test voltage	<b>500 V</b>	<b>500 V</b>	<b>500 V</b>
Insulation resistance	<b>100 MOhm</b>	<b>100 MOhm</b>	<b>100 MOhm</b>
Volume resistance	<b>5 mOhm</b>	<b>5 mOhm</b>	<b>5 mOhm</b>
<b>Environmental data</b>	<b>570486</b>	<b>570489</b>	<b>570487</b>
Ambient temperature			
Temperature range	<b>-20 - 80 °C</b>	<b>-20 - 80 °C</b>	<b>-20 - 80 °C</b>
Airgap creepage			
Pollution degree	<b>3</b>	<b>3</b>	<b>3</b>
Protection type			
X1 when inserted	<b>IP67</b>	<b>IP67</b>	<b>IP67</b>
X2 when inserted	<b>IP67</b>	<b>IP67</b>	<b>IP67</b>
X3 when inserted	<b>IP67</b>	<b>IP67</b>	–
Housing	<b>IP67</b>	<b>IP67</b>	<b>IP67</b>
<b>Mechanical data</b>	<b>570486</b>	<b>570489</b>	<b>570487</b>
Plug-in connector X1	<b>M12, 8-pin male connector</b>	<b>M12, 8-pin female connector</b>	<b>M12, 12-pin female connector</b>
In accordance with the standard	<b>EN 61076-2-101</b>	<b>EN 61076-2-101</b>	<b>EN 61076-2-101</b>
Plug-in connector X2	<b>M12, 8-pin female connector</b>	<b>M12, 8-pin male connector</b>	<b>M12, 8-pin male connector</b>
In accordance with the standard	<b>EN 61076-2-101</b>	<b>EN 61076-2-101</b>	<b>EN 61076-2-101</b>
Plug-in connector X3	<b>M12, 12-pin female connector</b>	<b>M12, 8-pin female connector</b>	–
In accordance with the standard	<b>EN 61076-2-101</b>	<b>EN 61076-2-101</b>	–
Material of ring nut X1	<b>Zn nickel-plated</b>	<b>Zn nickel-plated</b>	<b>Zn nickel-plated</b>
Material of ring nut X2	<b>Zn nickel-plated</b>	<b>Zn nickel-plated</b>	<b>Zn nickel-plated</b>
Material of ring nut X3	<b>Zn nickel-plated</b>	<b>Zn nickel-plated</b>	–
Housing material X1	<b>TPU</b>	<b>TPU</b>	<b>TPU</b>
Housing material X2	<b>TPU</b>	<b>TPU</b>	<b>TPU</b>
Housing material X3	<b>TPU</b>	<b>TPU</b>	–
Material of contact surface X1	<b>Au</b>	<b>Au</b>	<b>Au</b>
Material of contact surface X2	<b>Au</b>	<b>Au</b>	<b>Au</b>



# Accessories

## PSEN ml/cs Y junction M12/PSEN ml end adapter

Mechanical data	570486	570489	570487
Material of contact surface X3	<b>Au</b>	<b>Au</b>	–
Material of gasket	<b>FKM</b>	<b>FKM</b>	<b>FKM</b>
Material of pin	<b>CuZn gold-plated</b>	<b>CuZn gold-plated</b>	<b>CuZn gold-plated</b>
Material of socket	<b>CuZn gold-plated</b>	<b>CuZn gold-plated</b>	<b>CuZn gold-plated</b>
Mating cycles X1	<b>100</b>	<b>100</b>	<b>100</b>
Mating cycles X2	<b>100</b>	<b>100</b>	<b>100</b>
Mating cycles X3	<b>100</b>	<b>100</b>	–
Colour of housing	<b>black</b>	<b>black</b>	<b>black</b>
Material			
Housing	<b>TPU</b>	<b>TPU</b>	<b>TPU</b>
Weight	<b>28 g</b>	<b>28 g</b>	<b>20 g</b>

### Order reference

Product type	Features	Connector X1	Connector X2	Connector X3	Order no.
PSEN ml Y junction M12		M12, 8-pin female connector	M12, 8-pin female connector	M12, 12-pin female connector	570 486
PSEN ml / PSENcs Y junction M12		M12, 8-pin female connector	M12, 8-pin female connector	M12, 8-pin female connector	570 489
PSEN ml end adapter		M12, 12-pin female connector	M12, 8-pin male connector		570 487