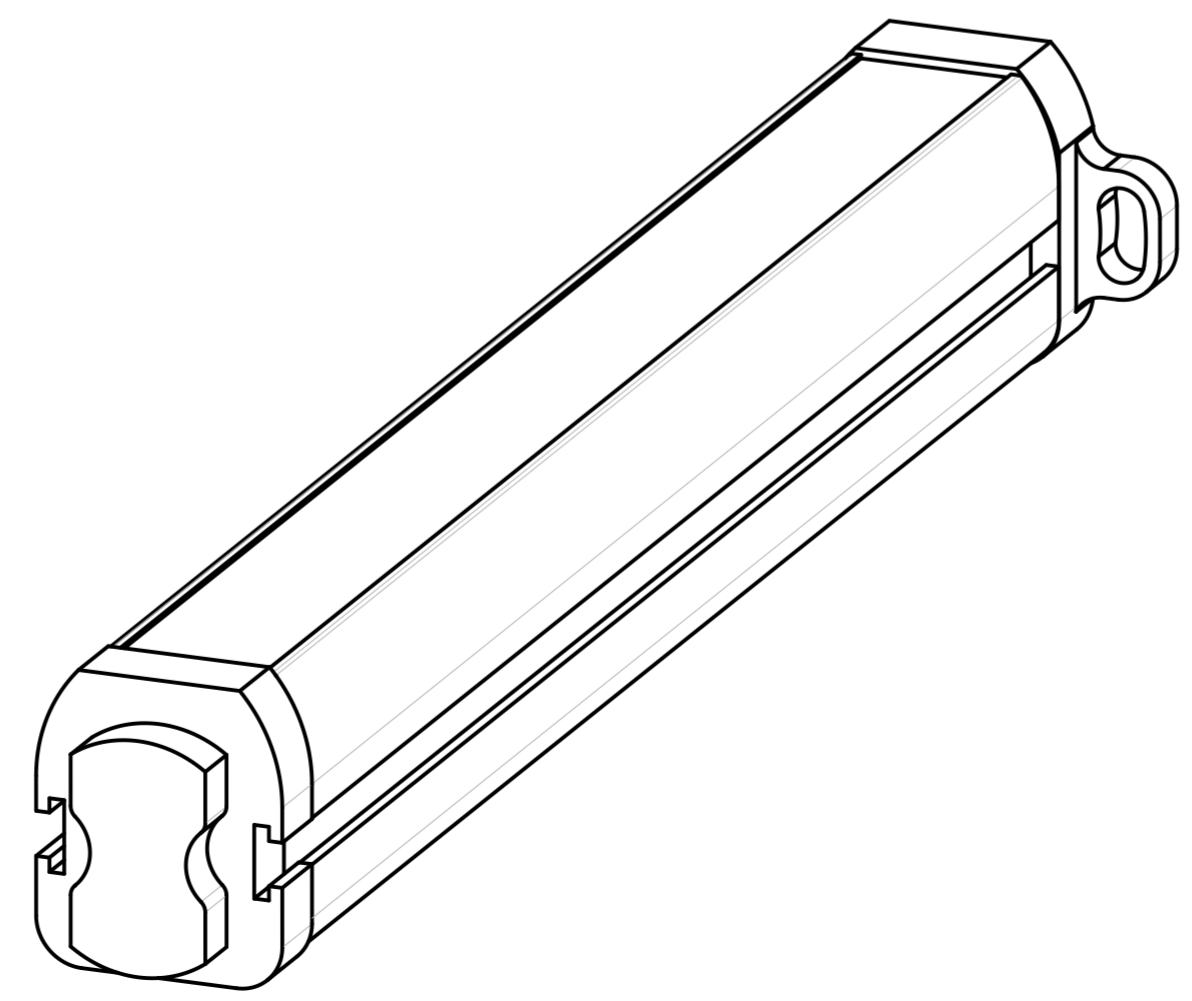
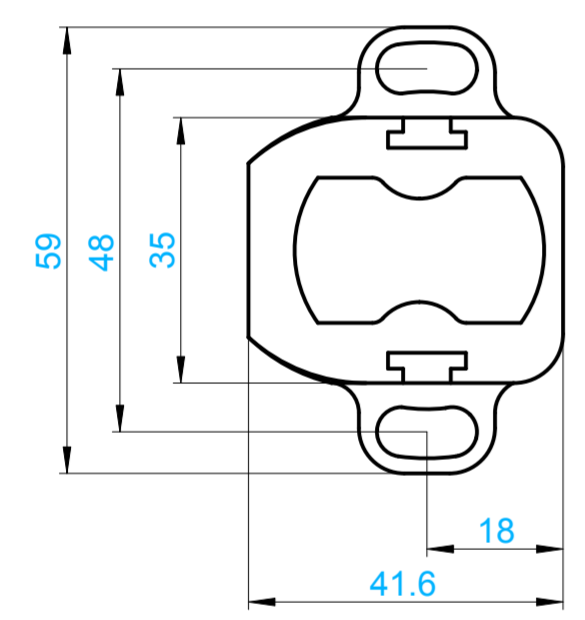
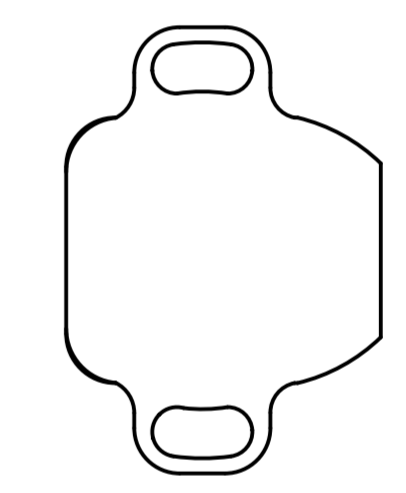
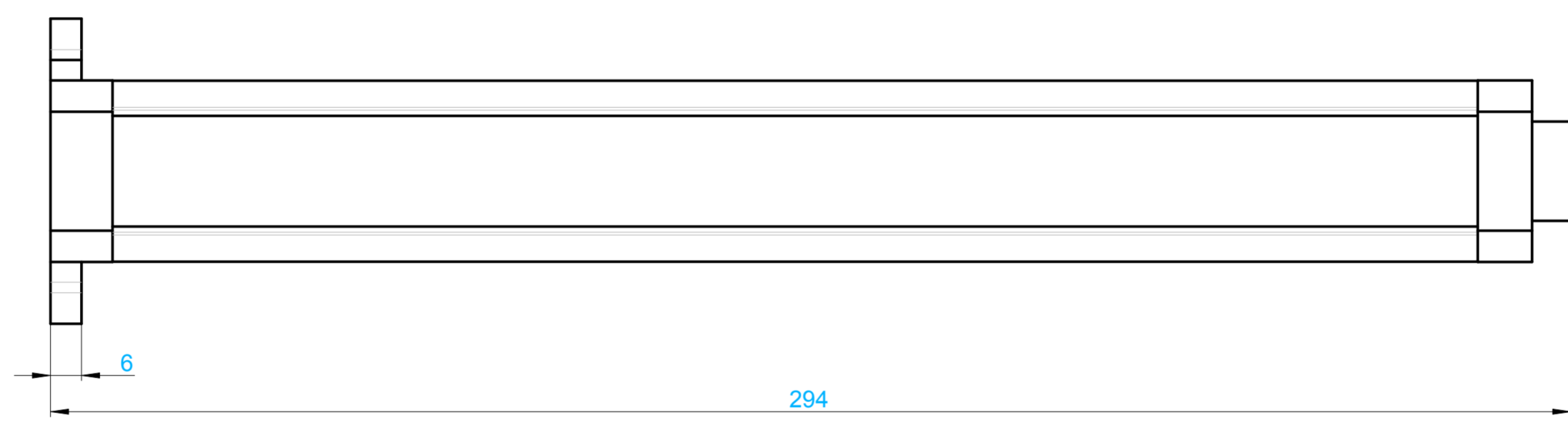
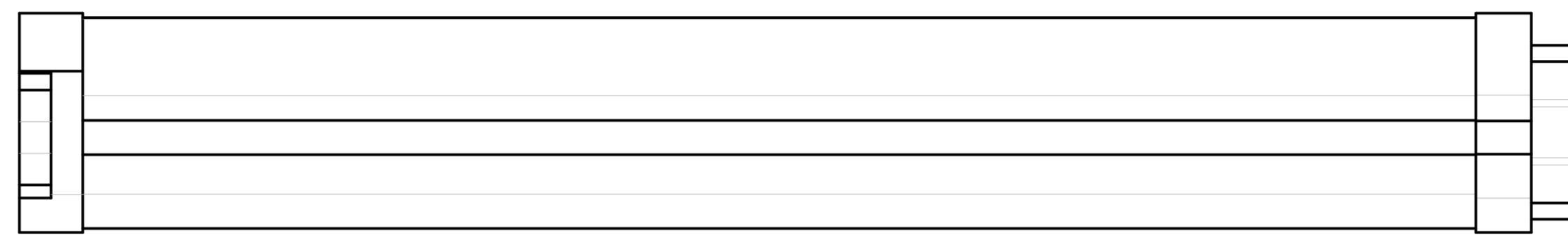
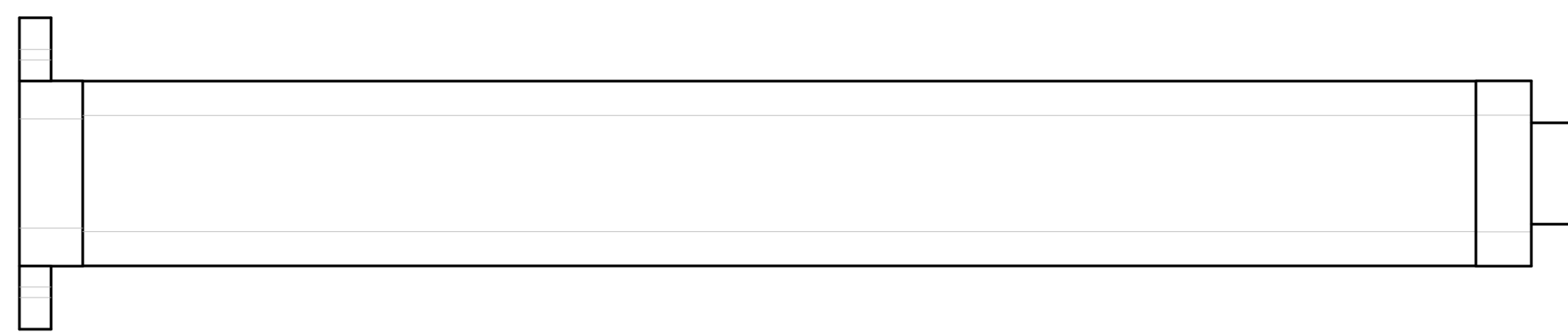


1 2 3 4 5 6 7 8

A
B
C
D
E
F



-	20140095	07.05.2014	PD-SUP-MCPD-SUP-MC	Neue Zeichnung New Drawing	
Index	ECO no.	Date	Editor	Checked	
Scale	1:1			Date	Name
Material			Created	07.05.2014	PD-SUP-MC
			Checked	07.05.2014	PD-SUP-MC
			Norm	-	-
			All dimensions are in mm		
Surface	Unspecified tolerance			Doc.-No.	2015865
				Page	1
				Mat.-No.	-
				of	1



1 2 3 4 5 6 7 8