



55.5

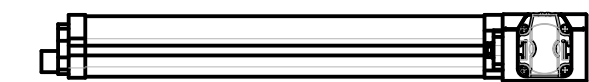
35

662

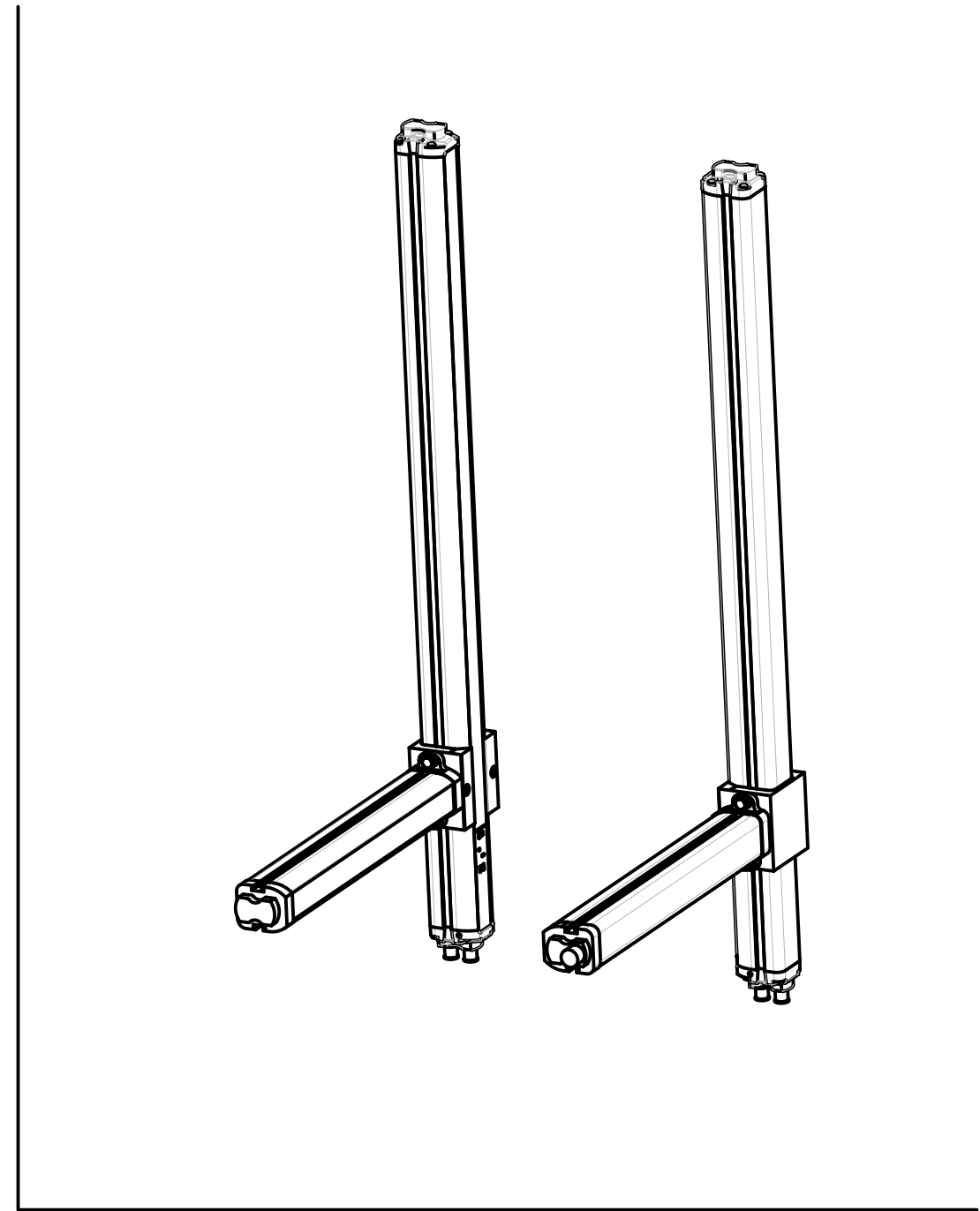
(35)

349.5

44.1



Nur Empfängerseite dargestellt /
only Receiver visible



-	20140095	13.05.2014	EP-SUP-MDEP-SUP-MC	neue Zeichnung new drawing	
Index	ECO no.	Date	Editor	Checked	
Scale	1:5			Date	Name
Material			Created	13.05.2014	EP-SUP-MC
			Checked	13.05.2014	EP-SUP-MC
			Norm	-	-
All dimensions are in mm					
Surface	Unspecified tolerance			Doc.-No.	2015911
				Mat.-No.	-
					Page 1
					of 1



Observe protection note to DIN 34